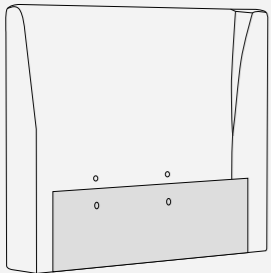


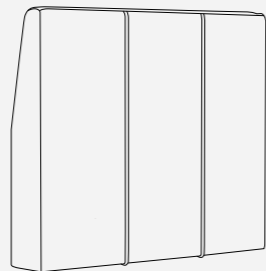
CARTON A PART LIST

A Left Armrest



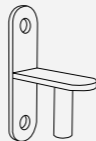
x1

B Right Armrest



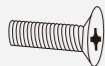
x1

1 Armrest / Backrest Fitting



x4

2 Screw



x10

3 Screwdriver



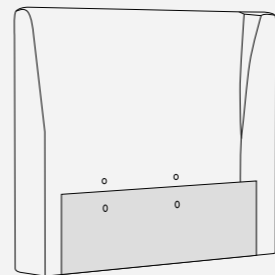
x1

CARTON A ASSEMBLY

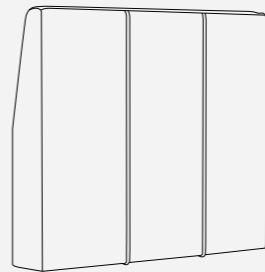
Step1:

Left Arm & Right Arm are in carton A, Remove all parts from the carton A , Place them on protected surface or carpet.

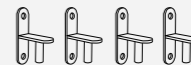
Step2:



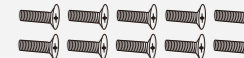
A



B



1

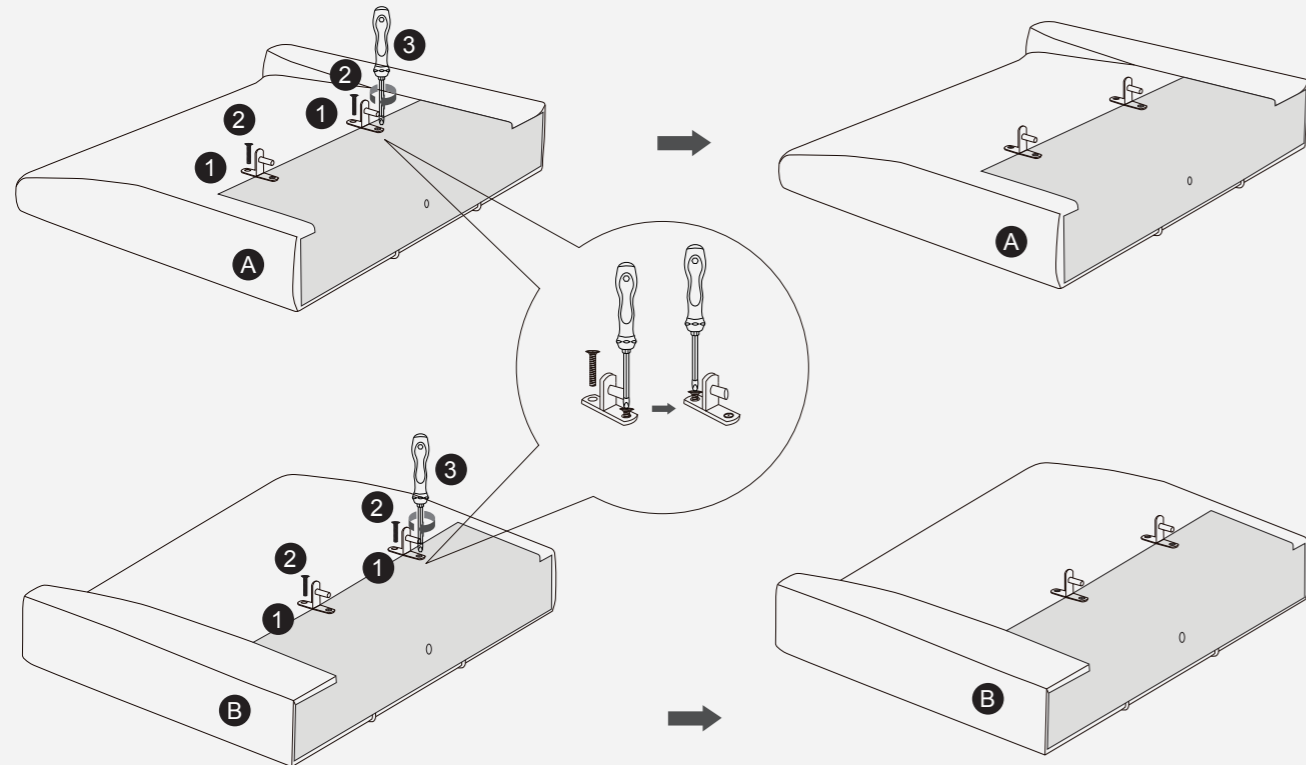


2



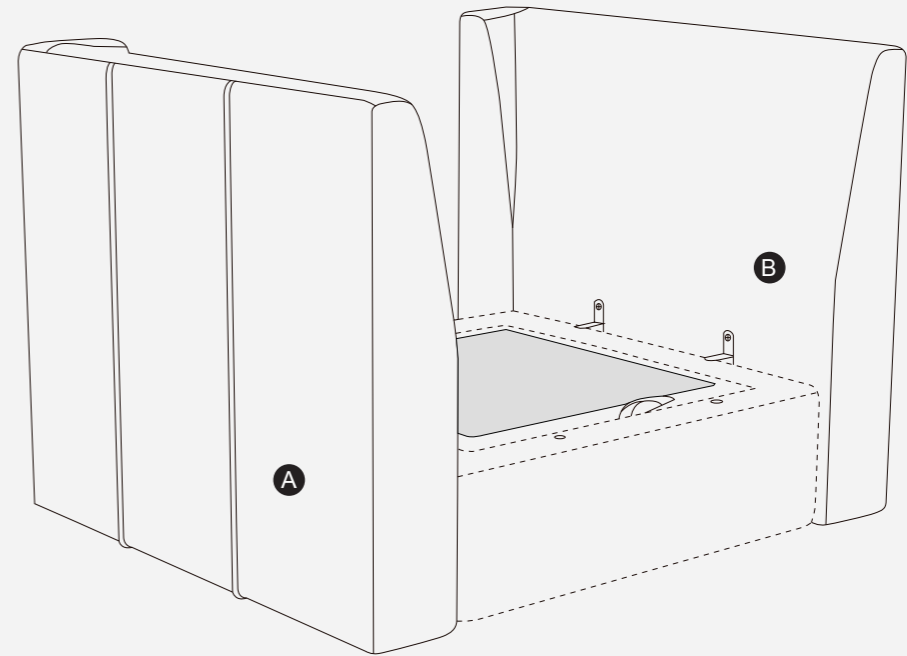
3

Step3:

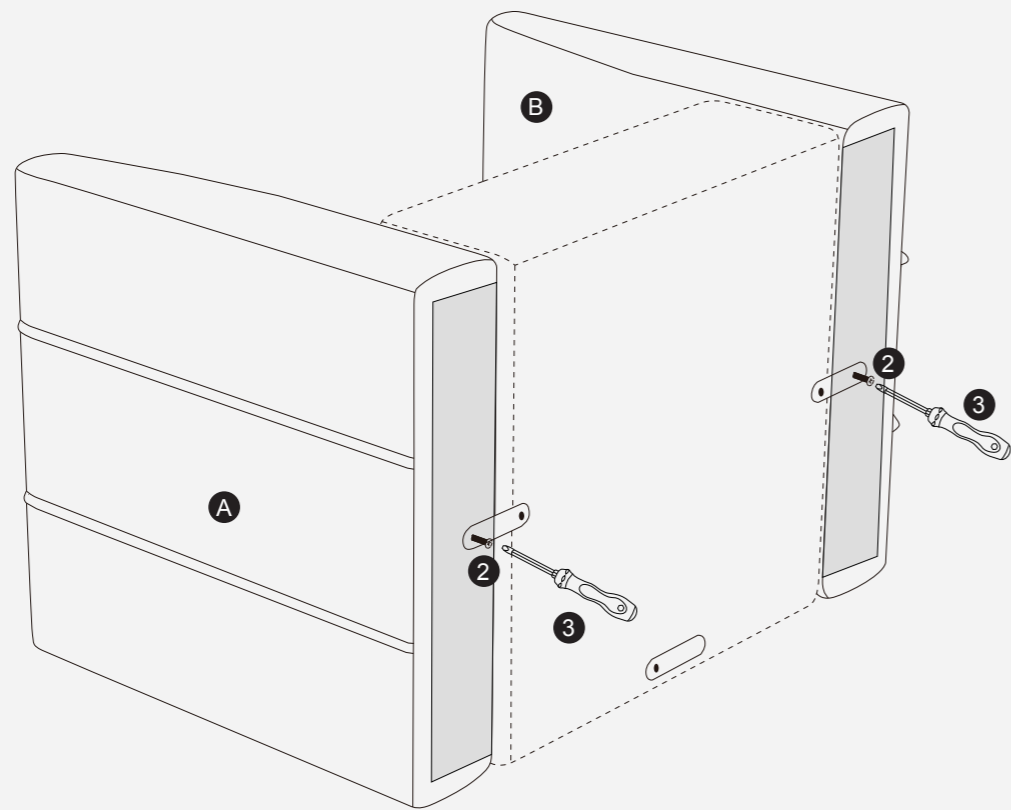


Please tighten the screws with screwdriver

Step4:

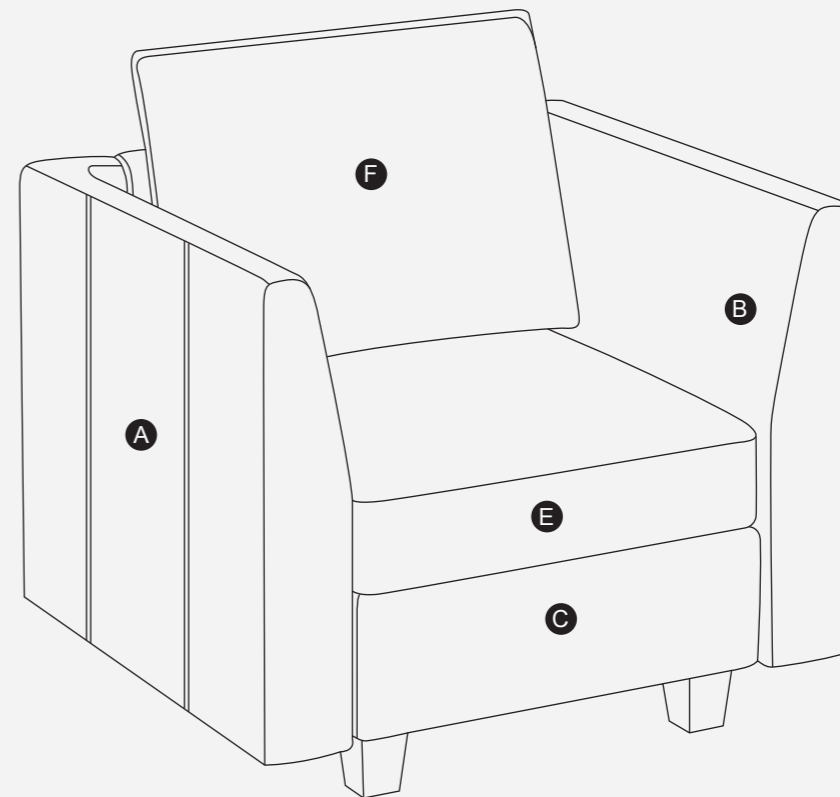


Step3:



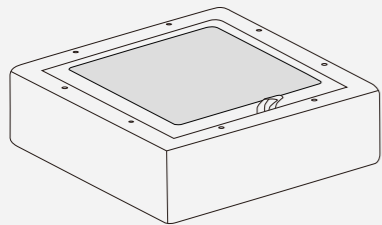
Please tighten the screws with screwdriver

Step5:



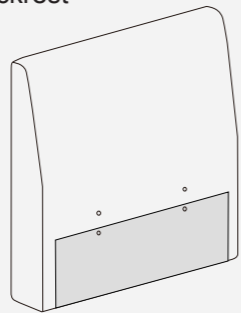
CARTON B PART LIST

C Seat Frame



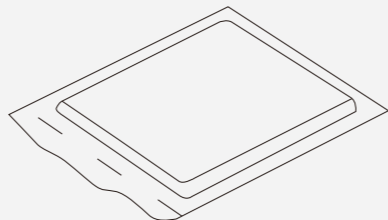
x1

D Backrest



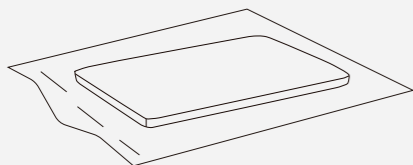
x1

E Seat Cushion



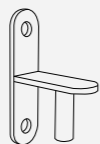
x1

F Pillow



x1

1 Armrest / Backrest Fitting



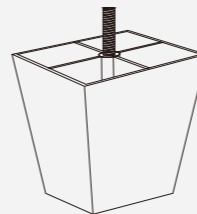
x2

2 Screw



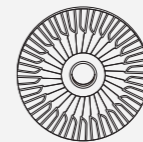
x5

4 Plastic Leg



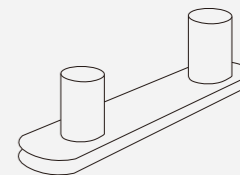
x4

5 Plastic Washer



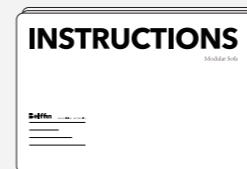
x4

6 Seat Fitting



x2

7 Assembly Instructions



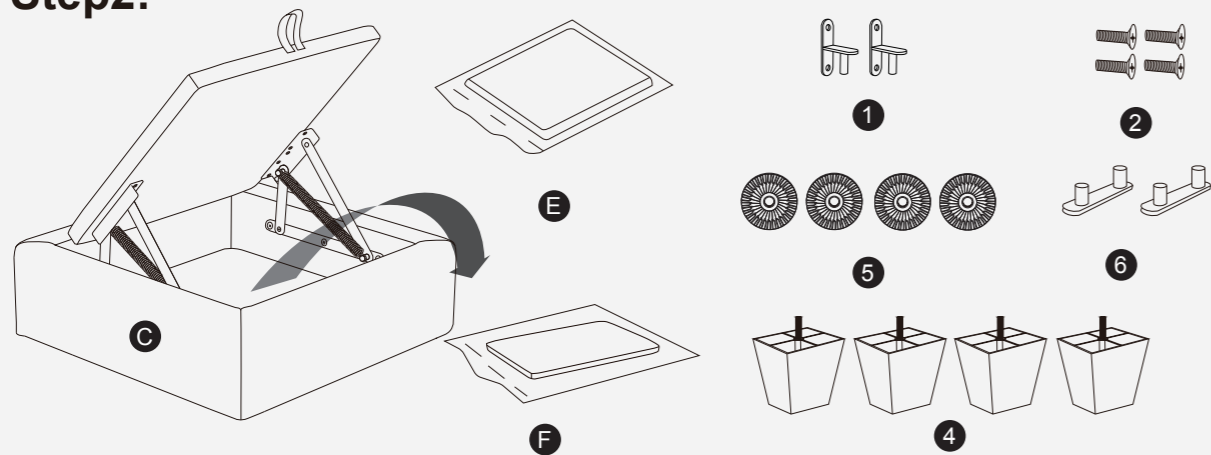
x1

CARTON B ASSEMBLY

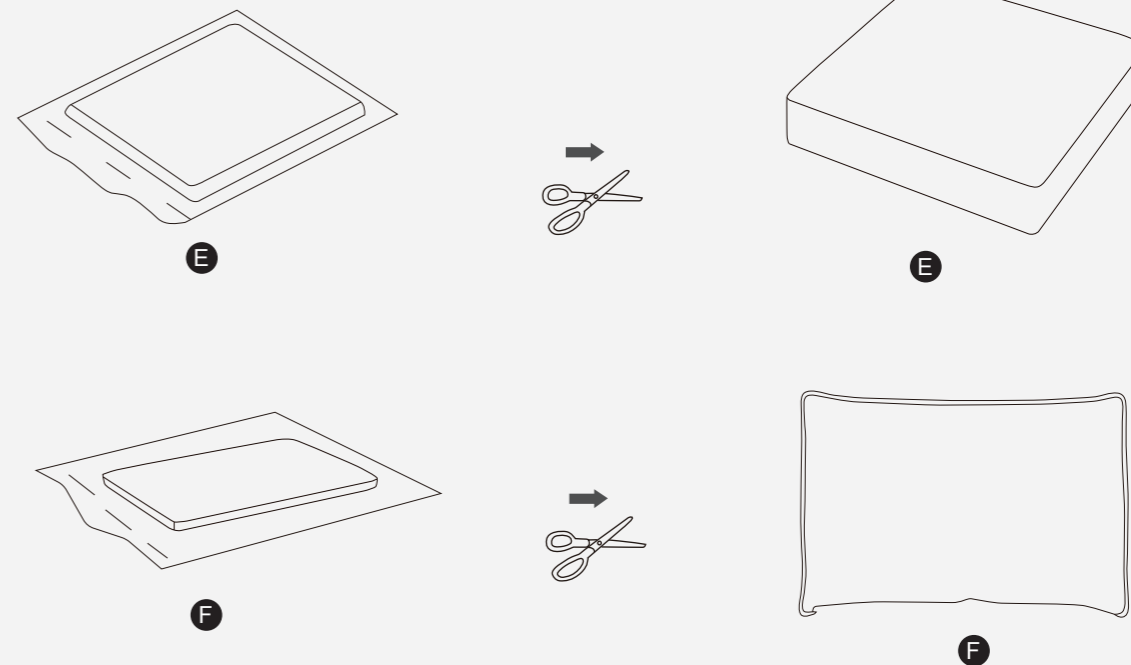
Step1:

Seat frame and backrest are in carton B ,Remove all parts from the carton B, Place them on protected surface or carpet.

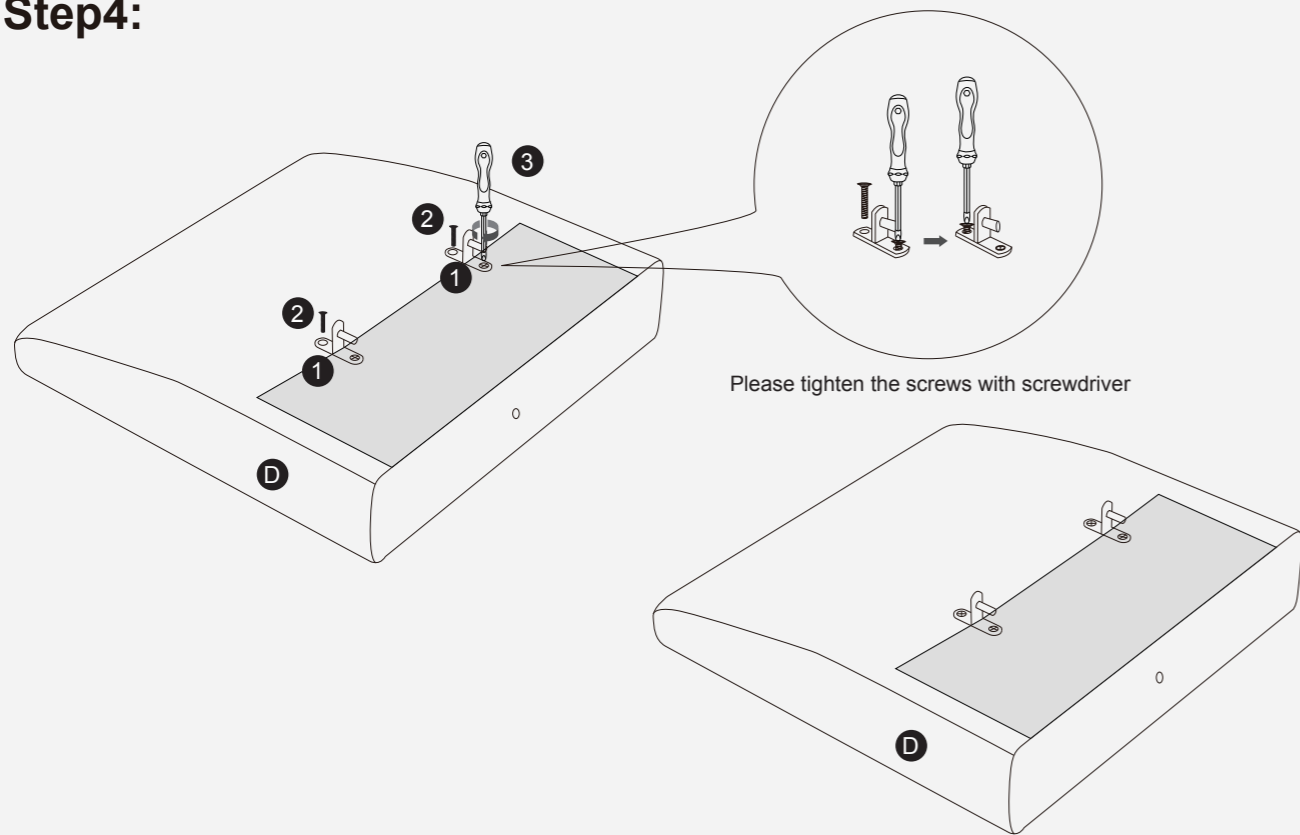
Step2:



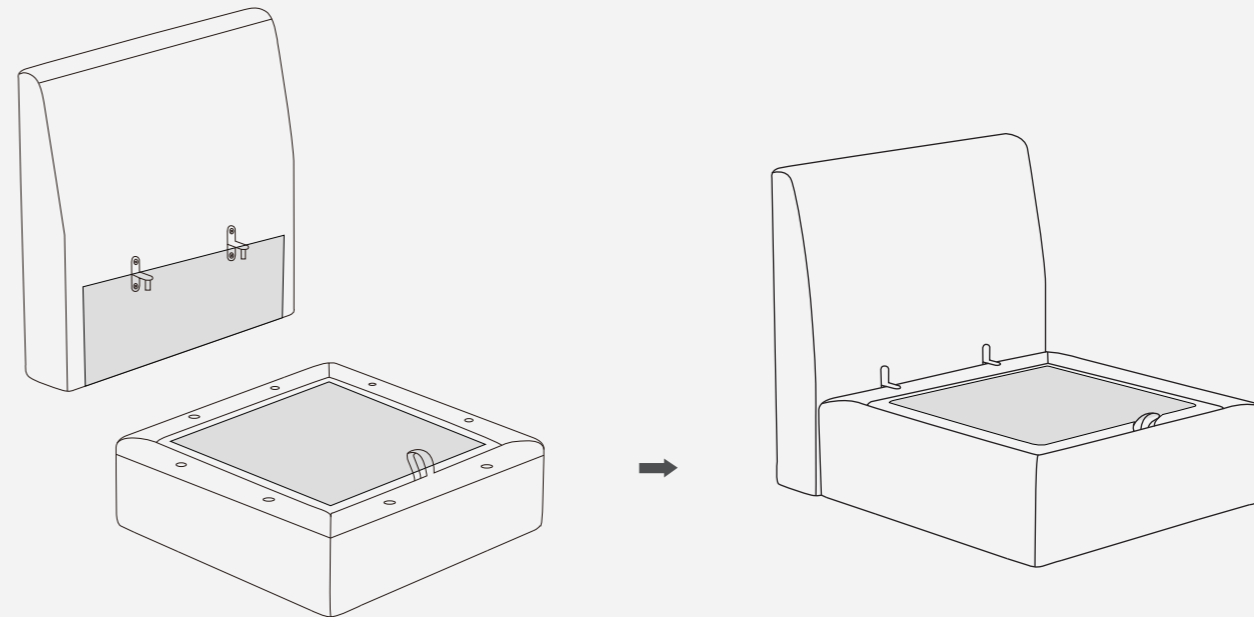
Step3:



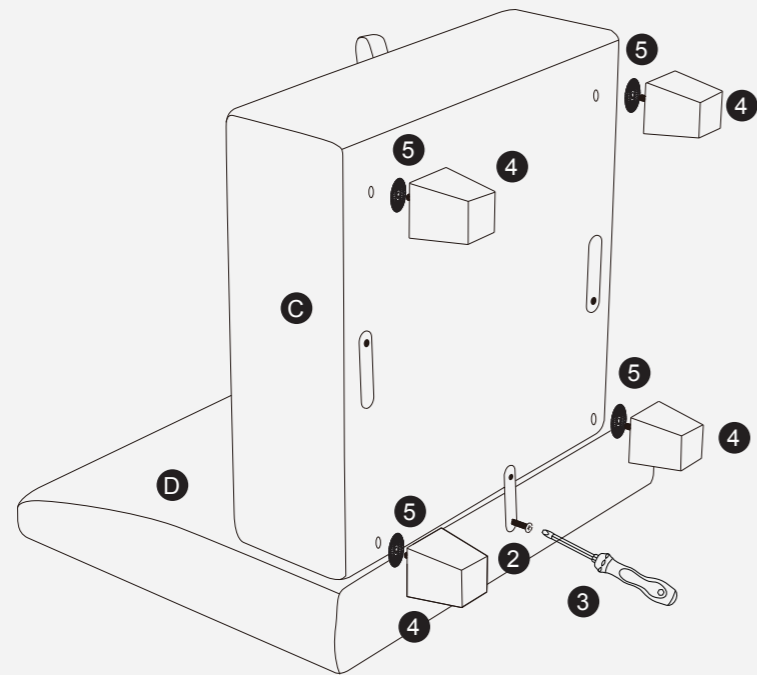
Step4:



Step5:

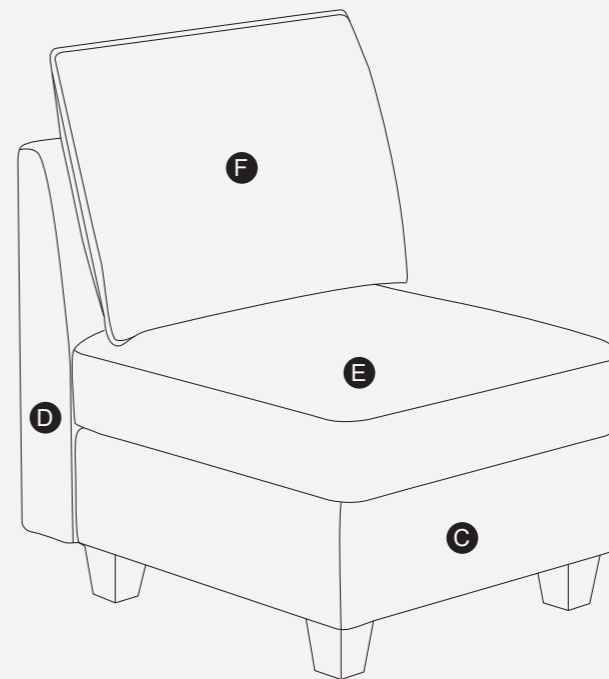


Step8:



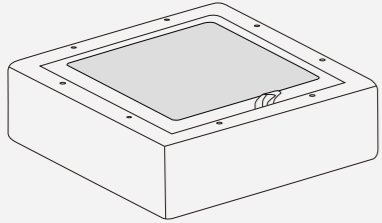
Please tighten the screws with screwdriver

Step9:



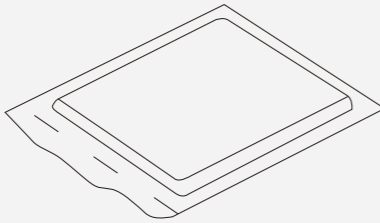
CARTON C PART LIST

C Seat Frame



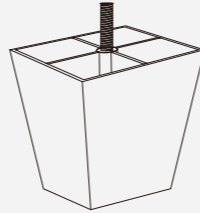
x1

E Seat Cushion



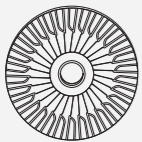
x1

4 Plastic Leg



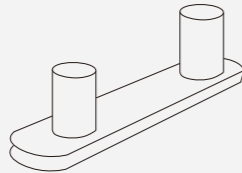
x4

5 Plastic Washer



x4

6 Seat Fitting



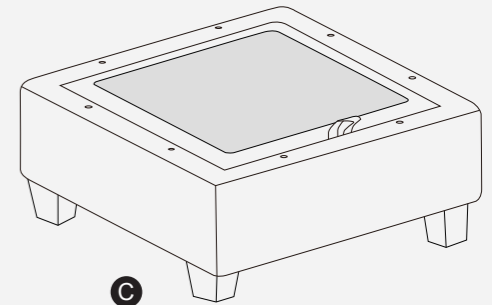
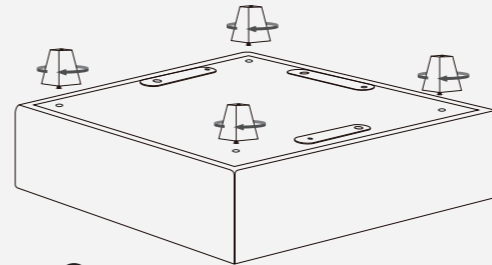
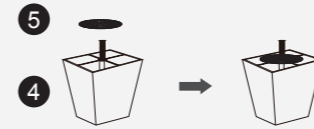
x2

CARTON C ASSEMBLY

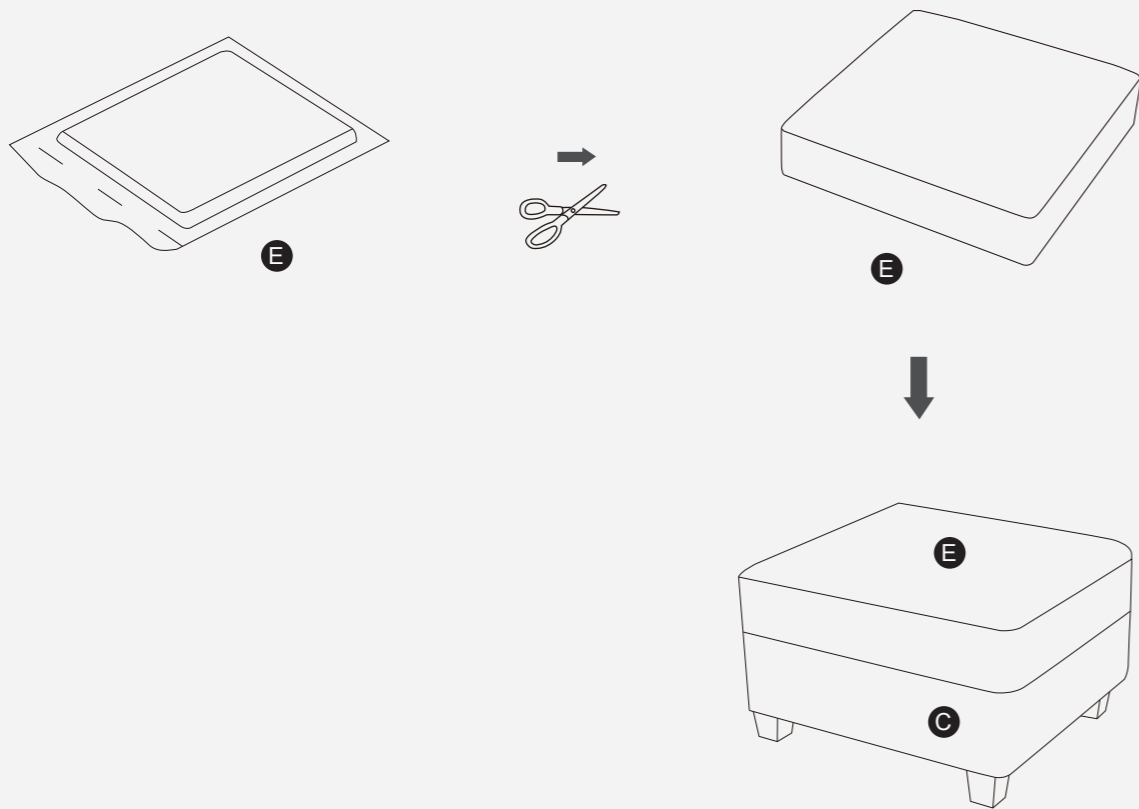
Step1:

Seat frame is in carton C ,Remove all parts from the carton C ,Place them on protected surface or carpet.

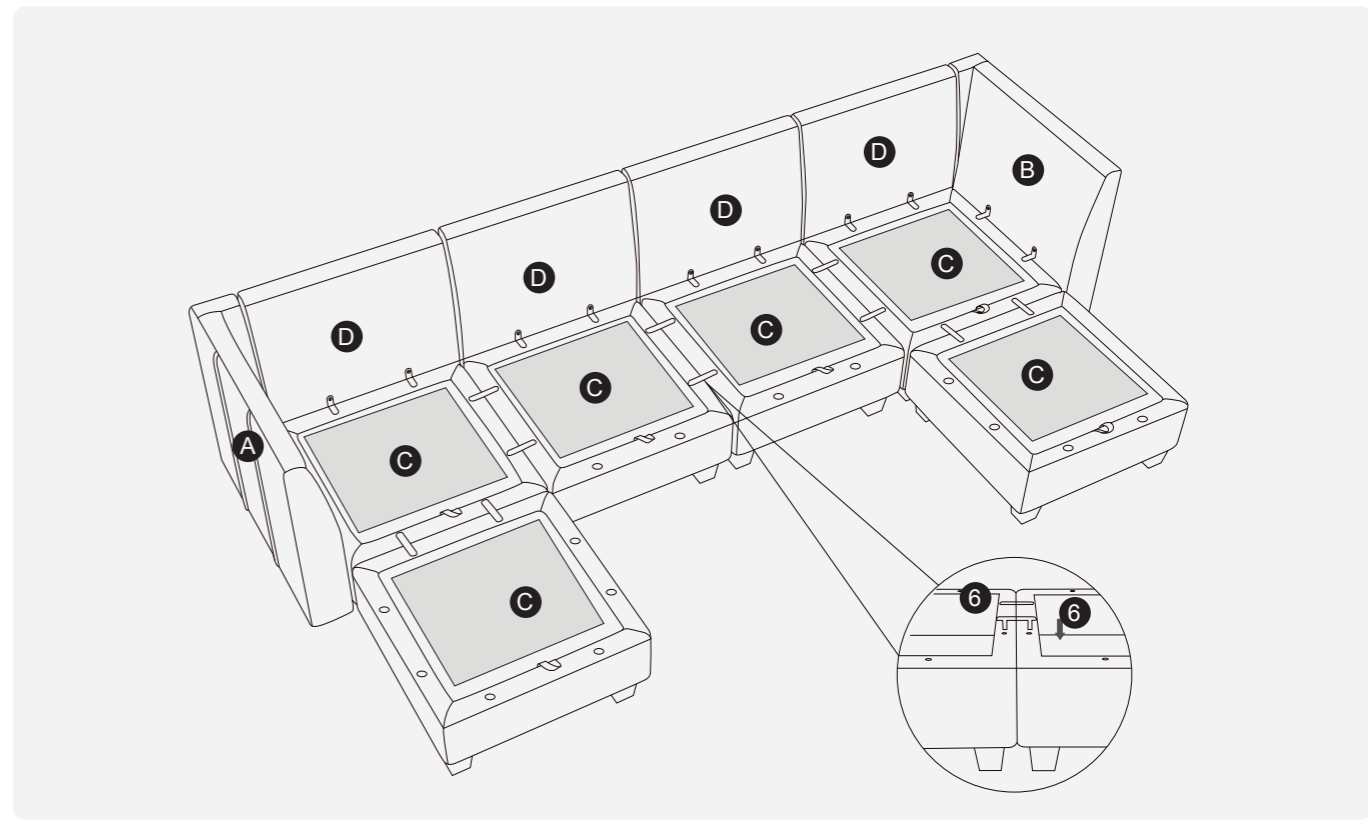
Step2:



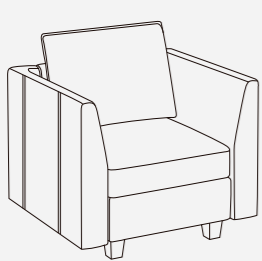
Step3:



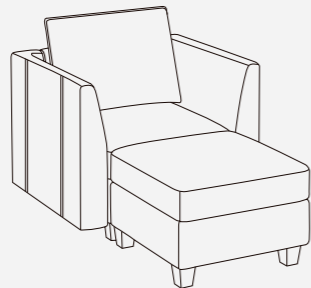
Link Seat Frame and Seat Frame



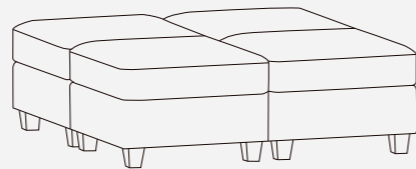
FREE COMBINATION



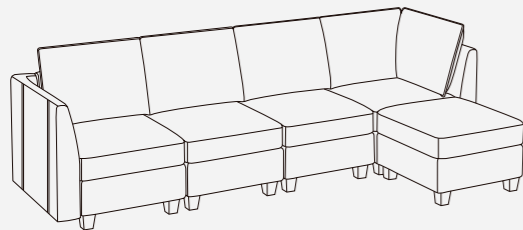
Carton(A+B)



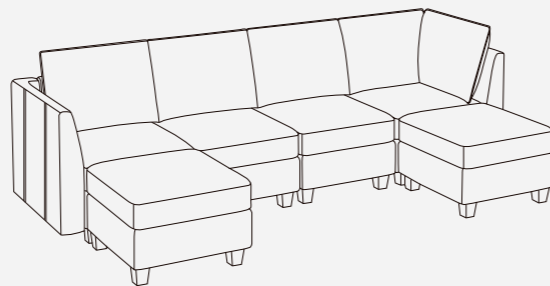
Carton(A+B+C)



Carton(4C)

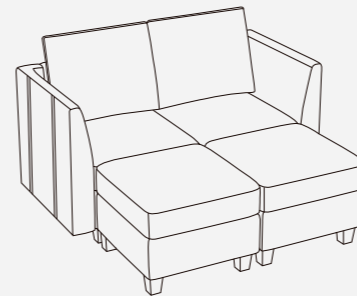


Carton(A+4B+C)

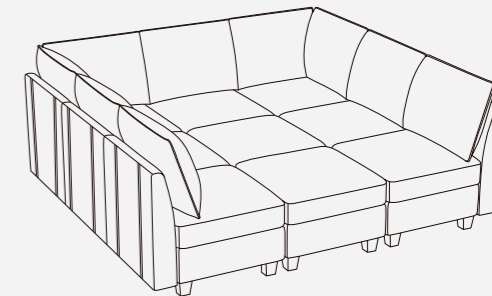


Carton(A+4B+2C)

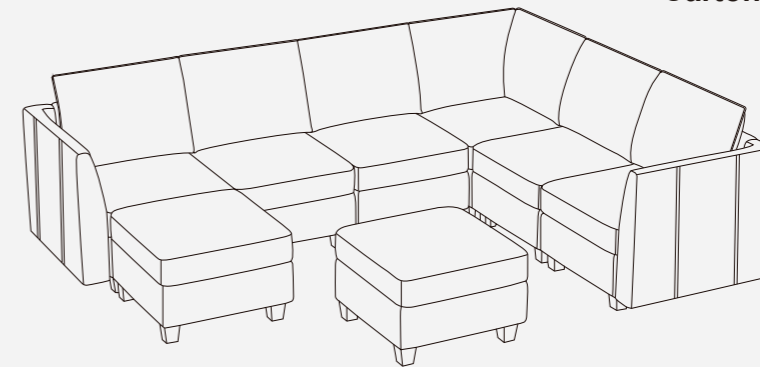
FREE COMBINATION



Carton(4B)



Carton(9B)



Carton(A+7B+C)