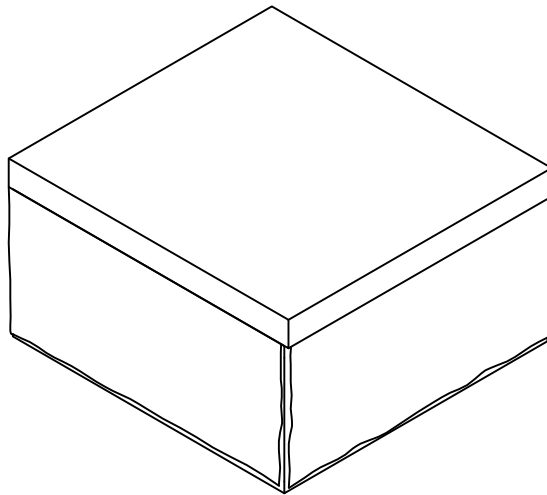
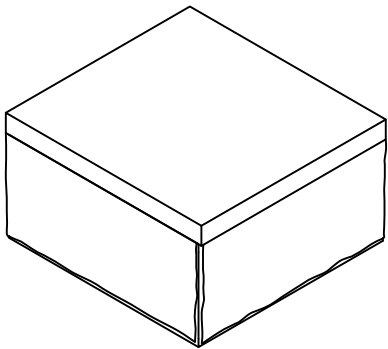


Assembly Instruction



CUSTOMER FIRST, SERVICE FOREMOST!
Questions? Issues?
CONTACT US
REPLY WITHIN 24 HOURS ON WEEKDAYS

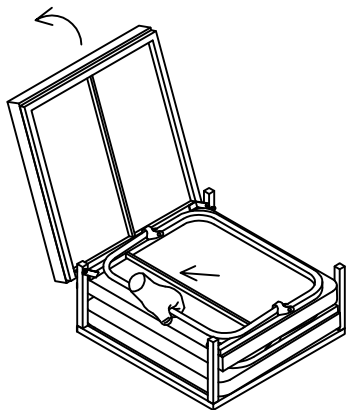
A

1 pc

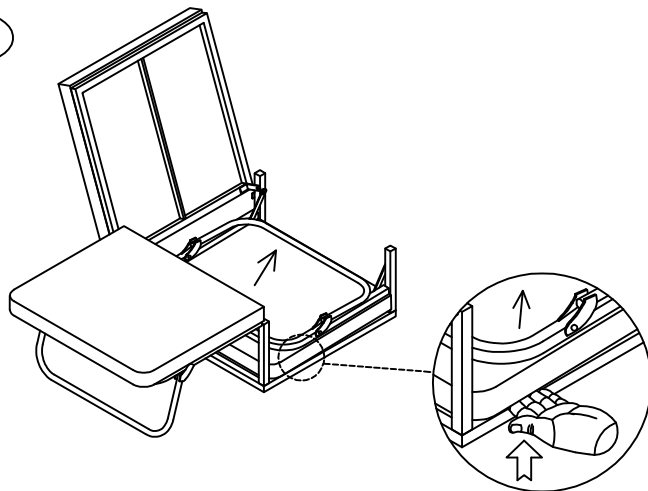
B

1 pc

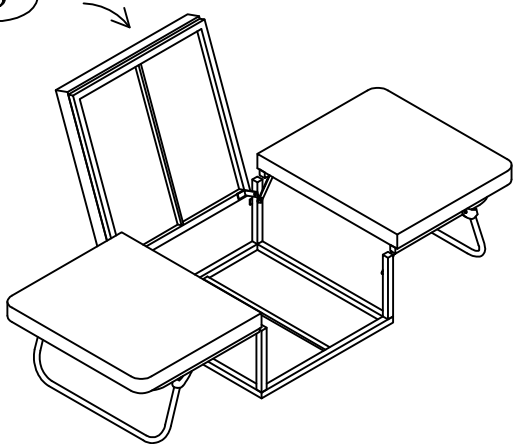
1



2

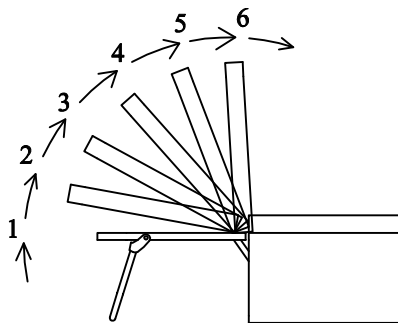


3



4

From bottom to top, the backrest can be adjusted in 6 levels. Easily converts to sofa, recliner or bed.



5

To adjust the backrest, push the backrest in the middle to unlock and readjust the backrest level.

