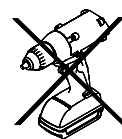
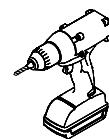
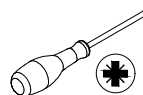
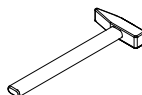
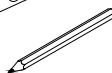
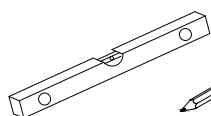
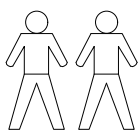
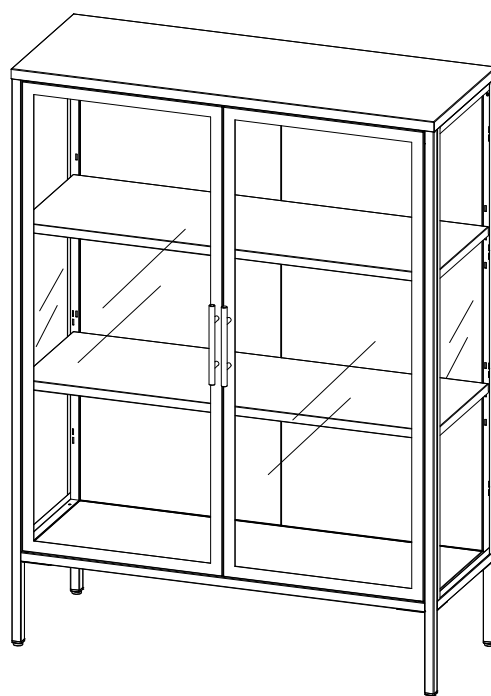
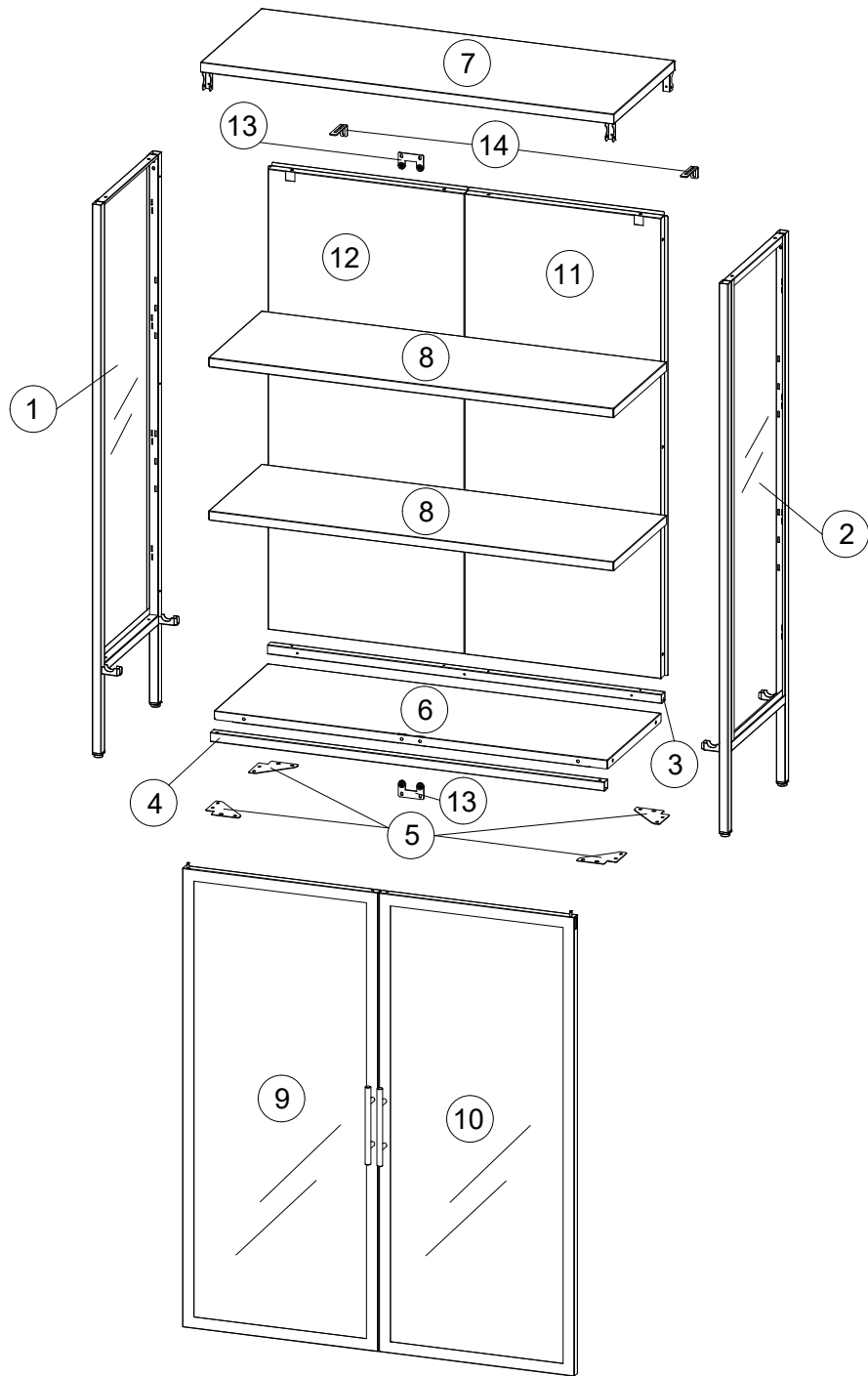


# Assembly Instructions

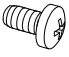
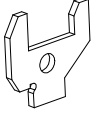
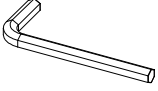
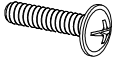



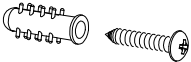




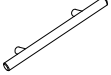
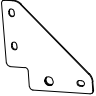
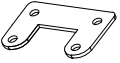

W68766576







**Box 1/1:**


- (1) (2) (3) (4) (5) X4 (6) (7) (8) X2  
 (9) (10) (11) (12) (13) X2 (14) X2

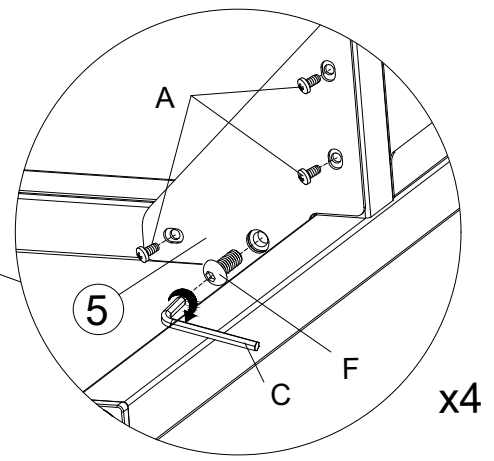
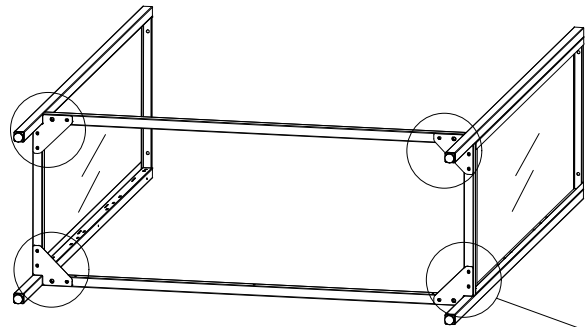
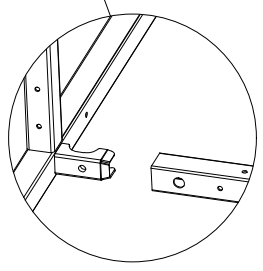
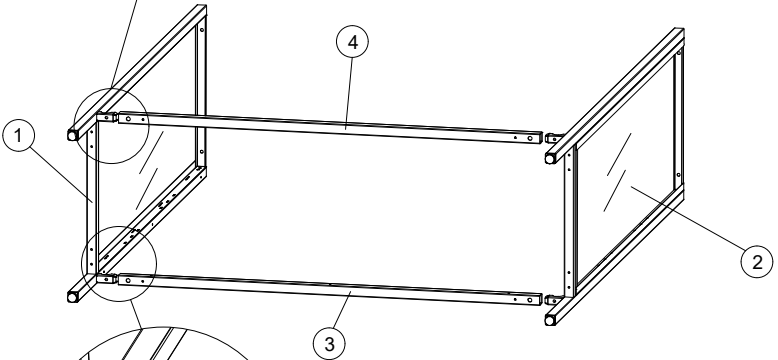
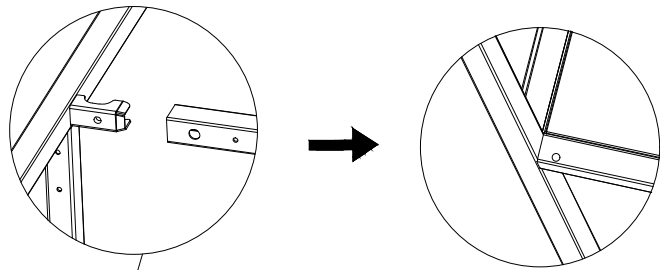
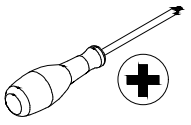
<p>A × 42</p>  <p>M4x8mm</p>	<p>B × 8</p> 	<p>C × 1</p> 	<p>D × 4</p>  <p>M4x22mm</p>
<p>E × 2</p>   <p>Ø4.8                      Ø5</p>		<p>F × 4</p>  <p>M6x10mm</p>	<p>G × 2</p> 
<p>H × 4</p>     <p>M3x8mm    M3            T=3mm    Ø3</p>		<p>I × 2</p> 	
<p>5 × 4</p> 	<p>13 × 2</p> 	<p>14 × 2</p> 	

1


A x 12  
  
M4x8mm

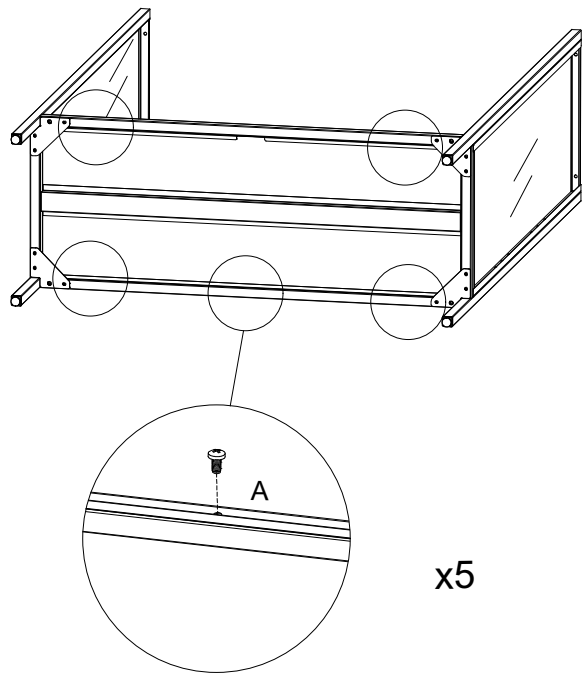
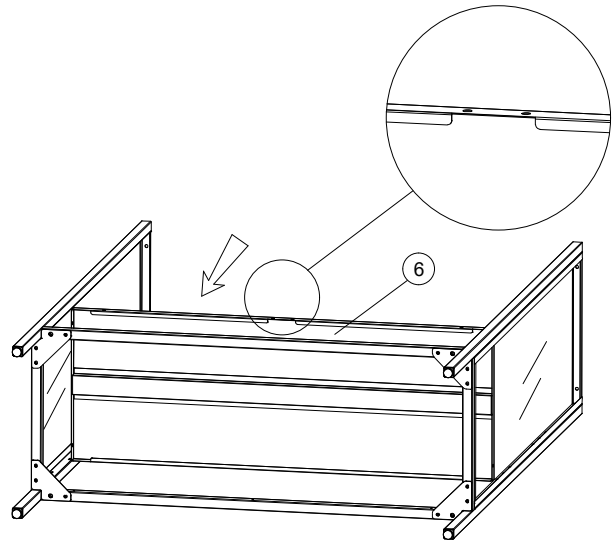
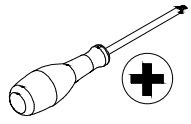
C x 1  


F x 4  
  
M6x10mm



2

A x 5  
  
M4x8mm

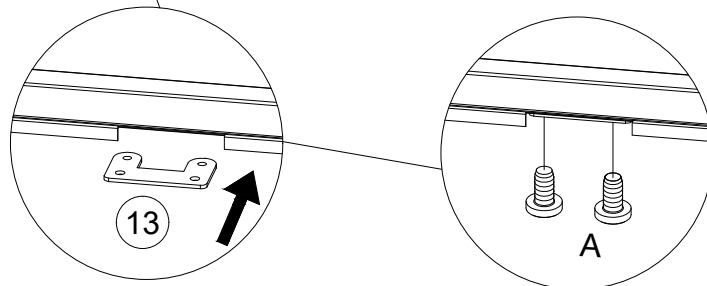
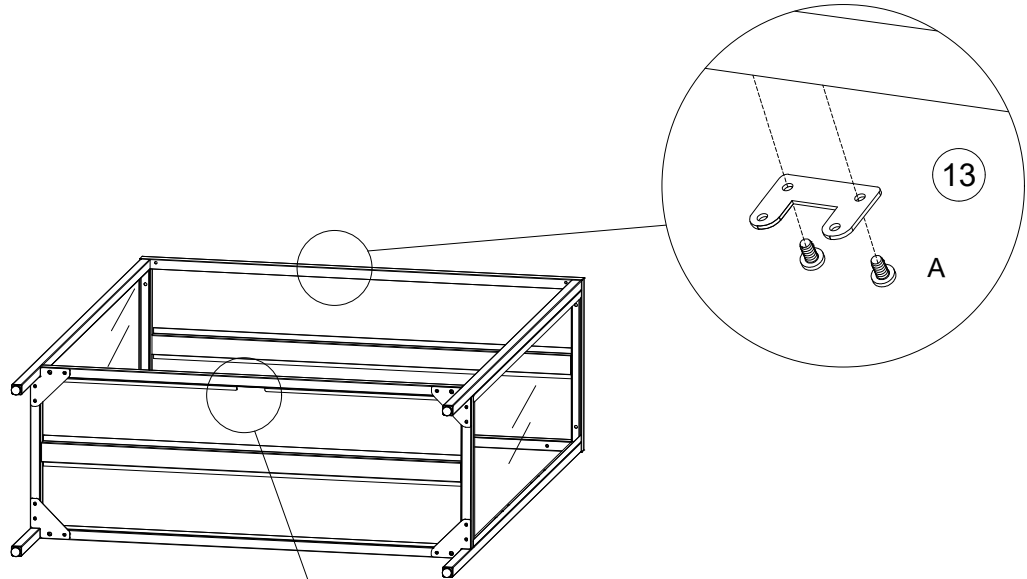
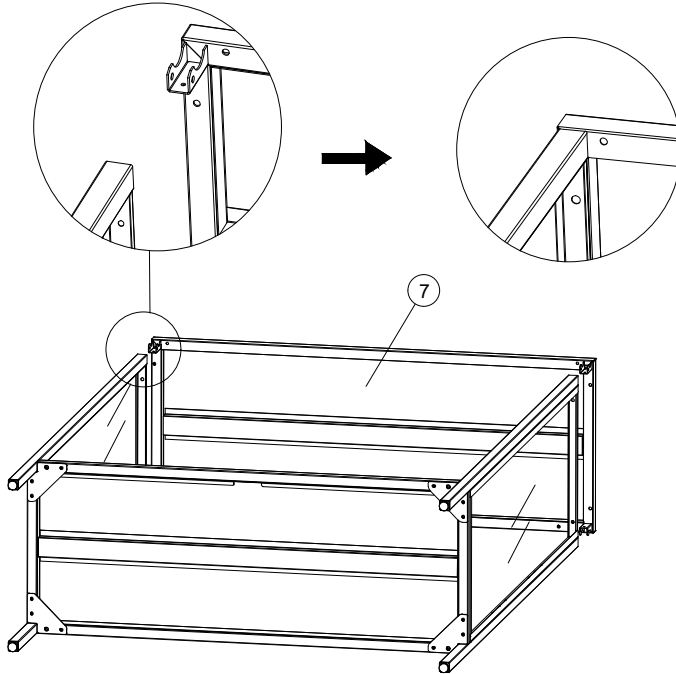
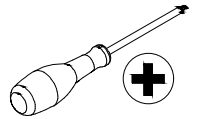


3






A x 4

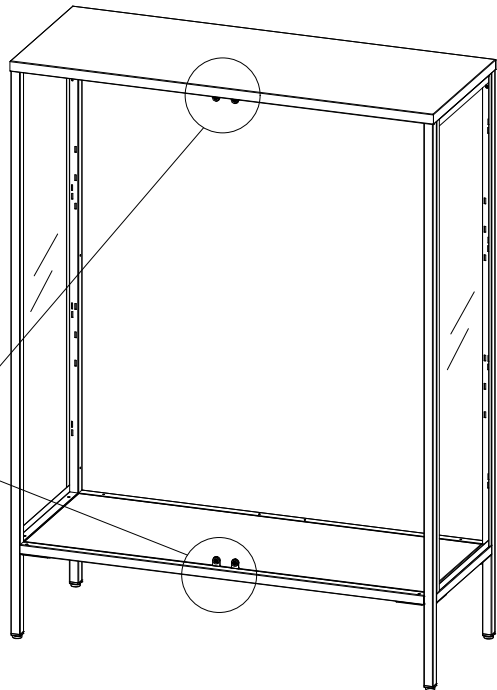
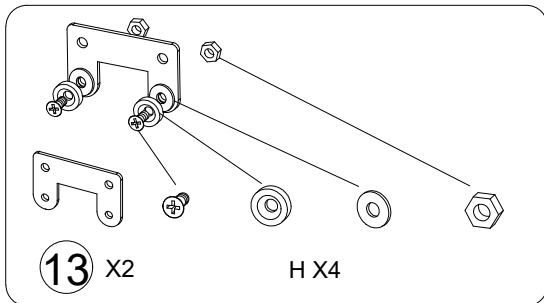
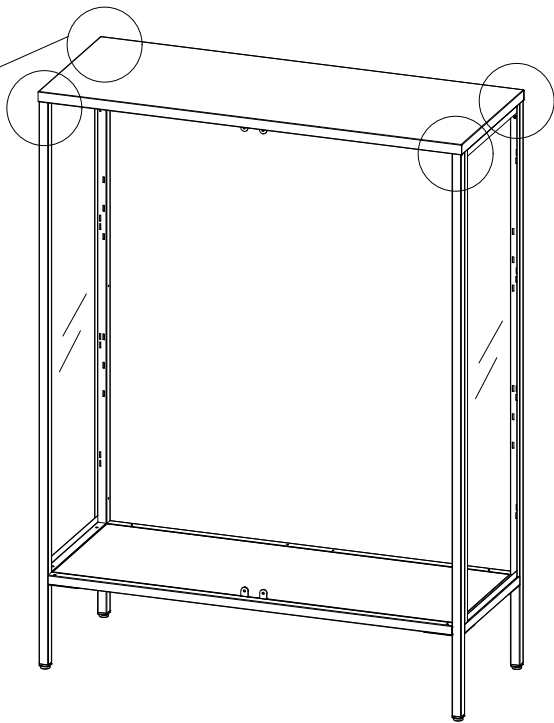
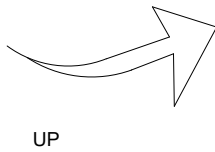
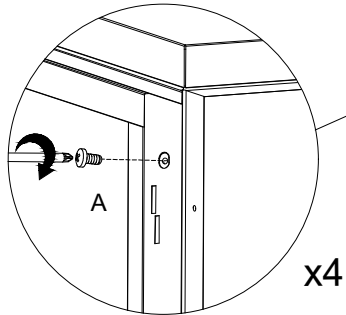
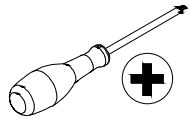


M4x8mm



4

A x 4	H x 4			
				
M4x8mm	M3x8mm	M3	T=3mm	Ø3

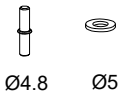


5

B × 8

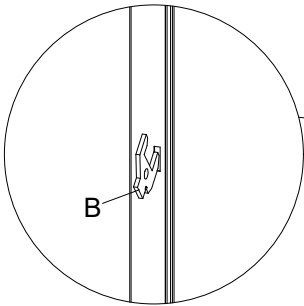


E × 2

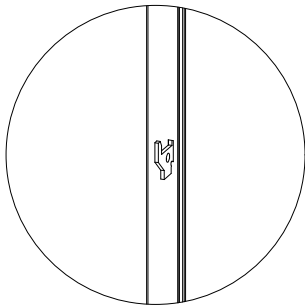


Ø4.8

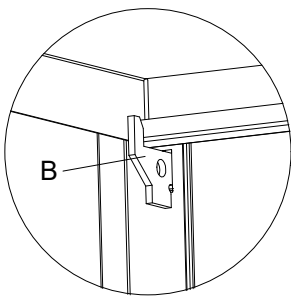
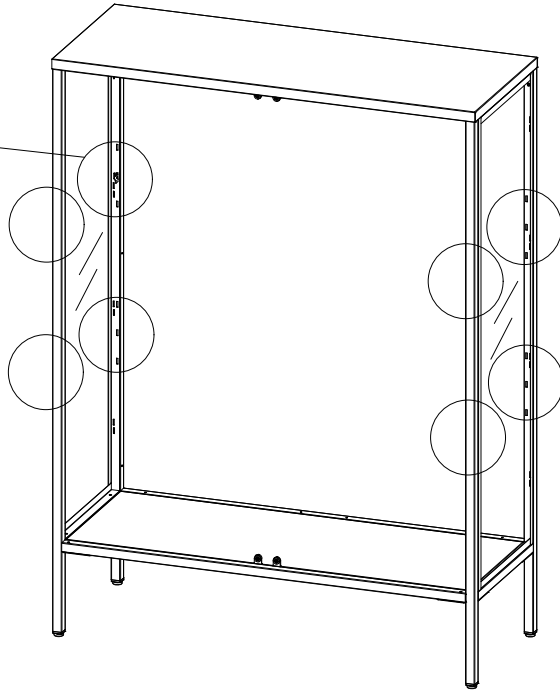
Ø5



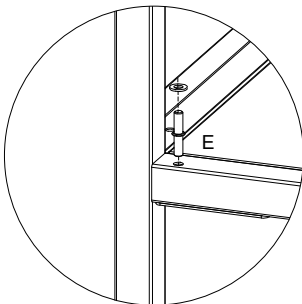
B



x8

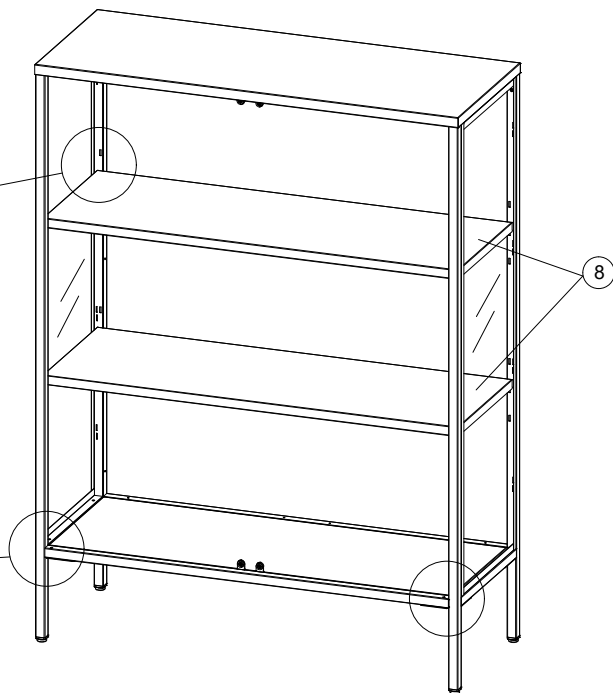


B



E

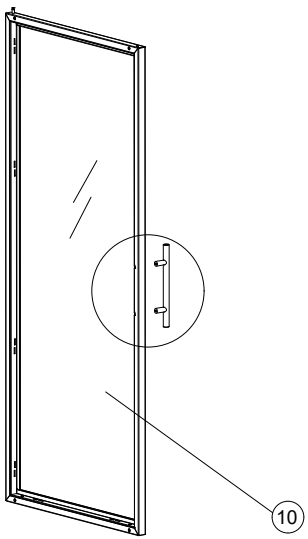
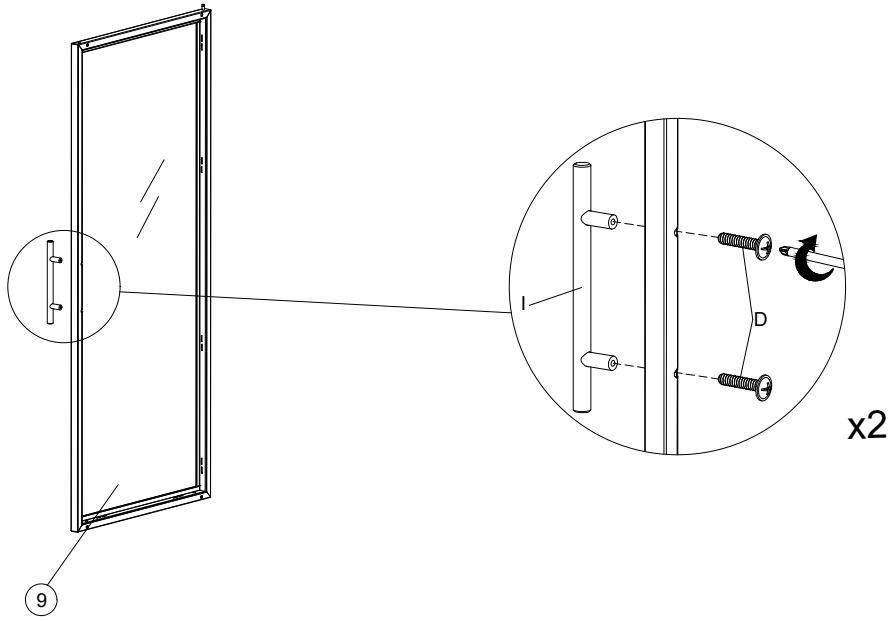
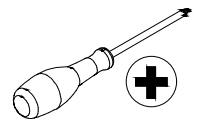
x2



6

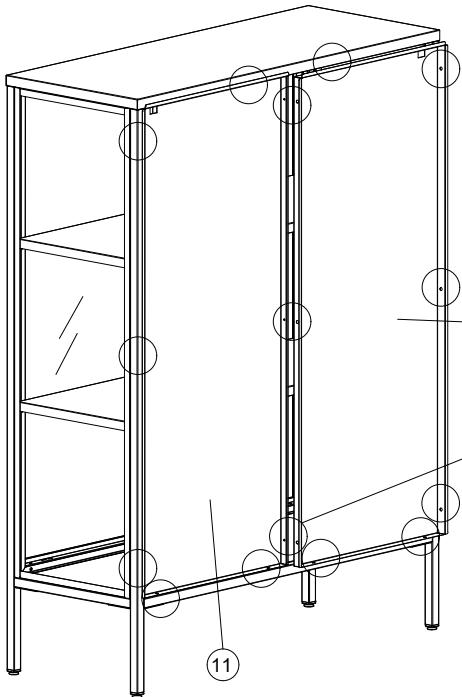
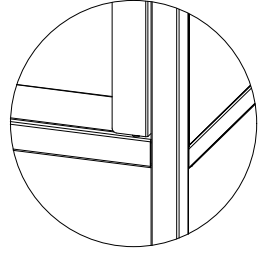
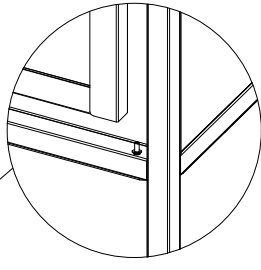
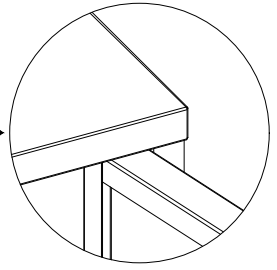
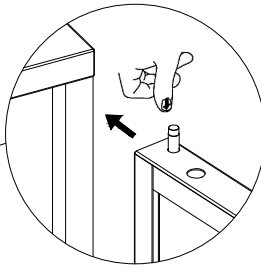
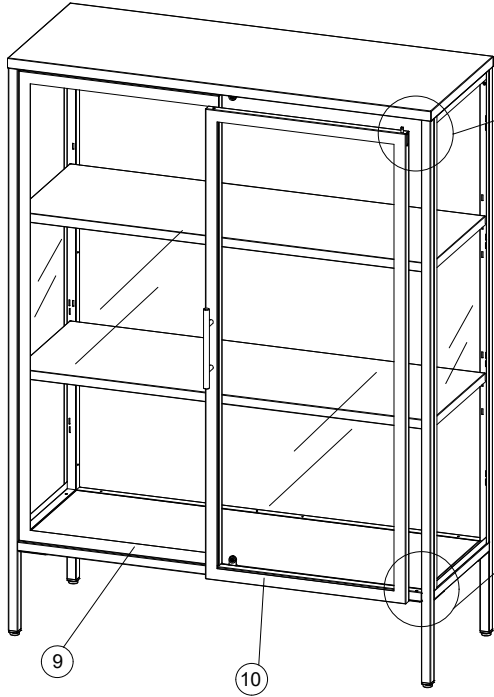
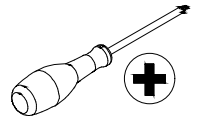
D × 4  
M4x22mm

I × 2

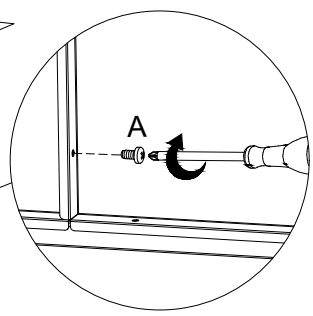


7

A x 15  
M4x8mm



BACK



x15

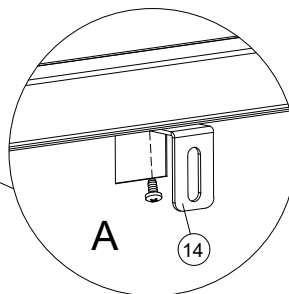
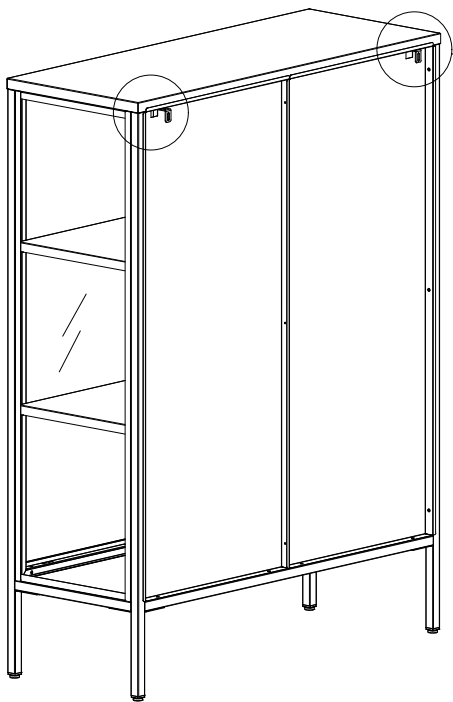
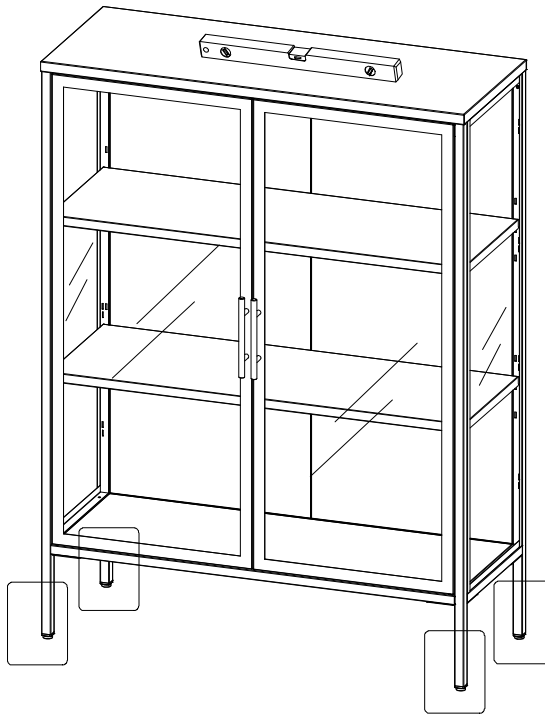
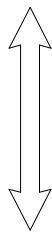
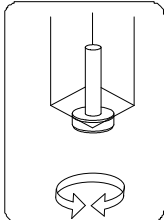
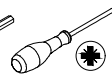
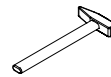
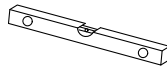
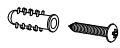
8

A x 2



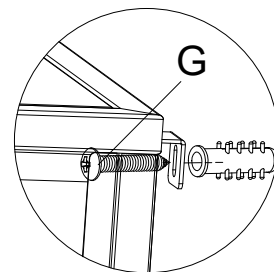
M4x8mm

G x 2



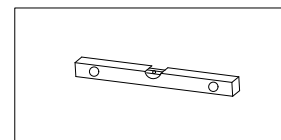
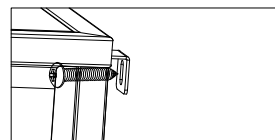
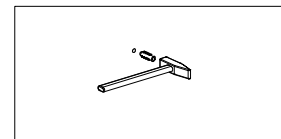
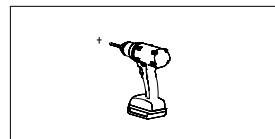
A

14



G

X2



9

