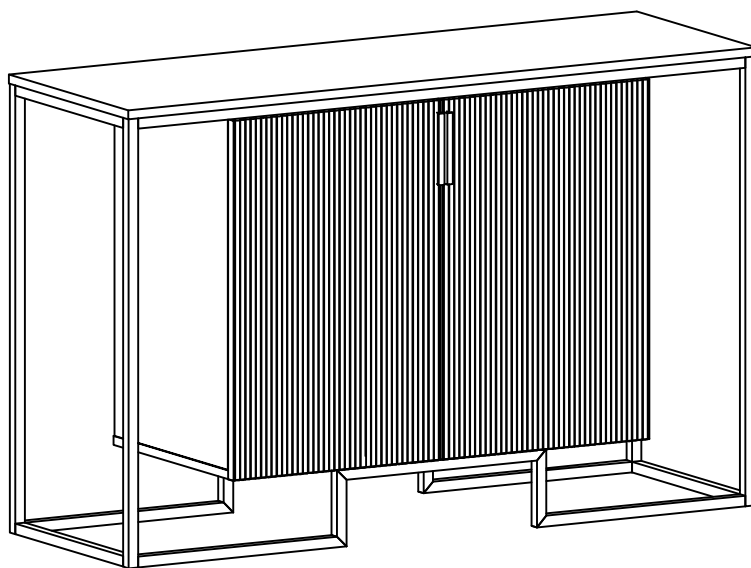
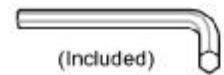


# Installation & Assembly

---



Screwdriver  
( Not included)



(Included)  
Allen Wrench



2 - People



EASY —————> DIFFICULT

**The Assembly Rating is a 5-point system showing the level of effort needed to assemble a specific product.**



## **CHECK BEFORE STARTING**

### **Are you missing anything?**

Double-check all parts, hardware and accessories listed on Page 6 are accounted for.

### **Should we send any replacements?**

Are there any irregularities or flaws in the parts? We can send replacements!

### **Check out our Quick Tips!**

We recommend reviewing the pre-assembly handouts. Even experts need a refresher now and then!

### **Prep Time!**

Please review the assembly instructions and all diagrams prior to assembling. Arrange parts as recommended on Page 7 and group identical hardware together to make assembling easier.

---

# PRE ASSEMBLY INTRODUCTION

We understand building ready-to-assemble furniture can be a challenging experience for some. To help avoid confusion, we have provided some helpful tips that may speed up the process.



## Teamwork

ALWAYS have at least two people to help with transporting and assembling the product to avoid potential injury and/or damage.



## Suitable Location

Assembling near the area of the intended location is highly recommended.



## Sufficient Space

Make sure you have enough space to move around during the assembly.



## Avoid Scratches

Use cardboard, blankets or a carpeted area while assembling furniture to prevent to prevent scratches and damages.



## Flat Surface

Make sure the furniture rests on a flat and level surface with each leg evenly touching the floor.

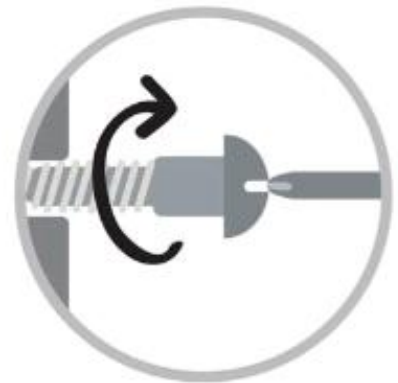
# ASSEMBLY AND CARE ADVICE



**FAILURE TO FOLLOW THE GUIDELINES BELOW MAY RESULT IN INJURY AND/OR PROPERTY DAMAGE.**



Position each part correctly and insert screws or bolts into their respective holes.



Turn clockwise to tighten and only tighten when step is completed or when instructed to do so.



Use the appropriate hand tools or power tools for assembly. Select steps, such as tightening screws and/or bolts, may require hand tools to avoid causing damage during assembly.



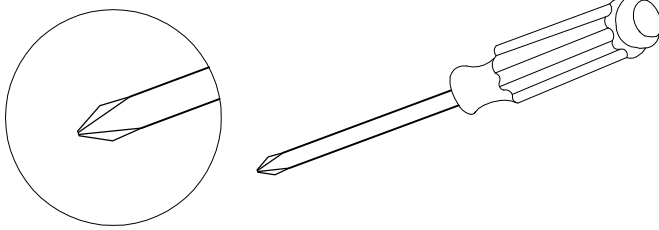
Save the instructions and store any supplied tools for later maintenance.



After two weeks, check and tighten any loose hardware and repeat again every six months thereafter.

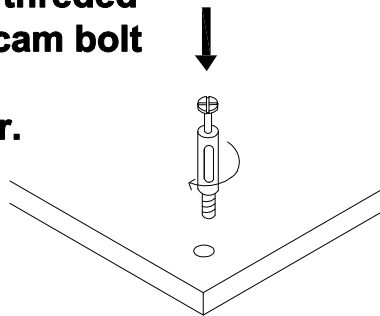
**IT IS THE USER'S RESPONSIBILITY TO MAINTAIN THE FURNITURE. THE HARDWARE MAY LOOSEN OVER TIME AND MAY CAUSE THE FURNITURE TO BE WOBBLY AND UNABLE TO SUPPORT ITS INTENDED WEIGHT CAPACITY. THIS MAY LEAD TO COLLAPSE AND MAY CAUSE SERIOUS INJURY.**

# CAMLOCK FASTENER ASSEMBLY INSTRUCTIONS



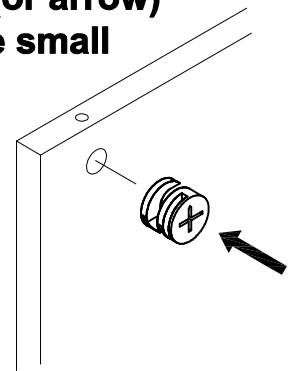
Note: Every cam lock bolt must have a cam lock connector in order to fasten the parts together.

- (1) **Secure the threaded end of the cam bolt by using a screwdriver.**

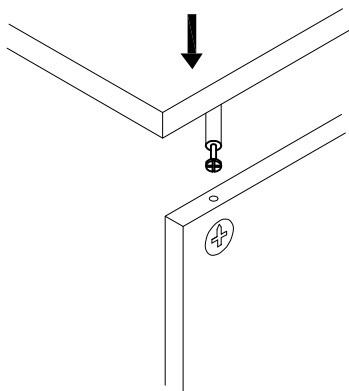


Turn right (clockwise) to tighten.

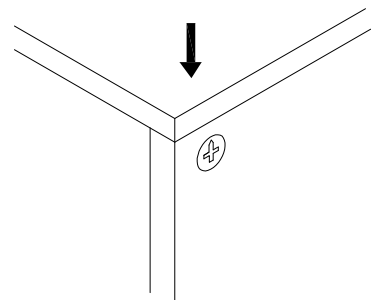
**Align the cam connector with its side opening (or arrow) pointing to the small drilled hole.**



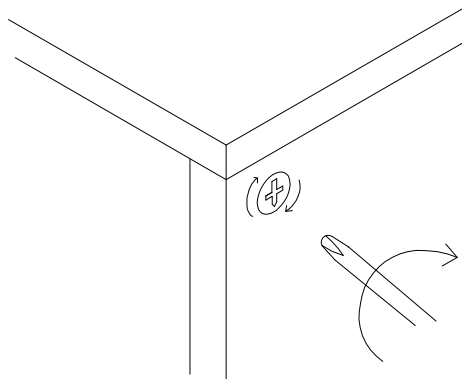
- (2) **Insert the cam lock bolt into the pre-drilled hole above the cam connector.**



- (3) **Two parts should fit snugly against each other.**



- (4) **Turn right (clockwise) to tighten.**



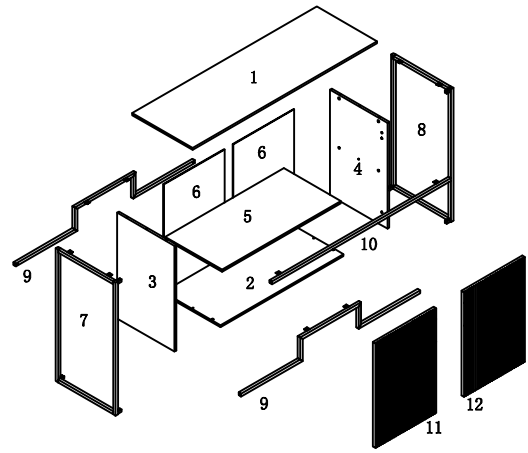
**Turn the cam connector with a screwdriver until it will not turn any more with light to moderate force.**



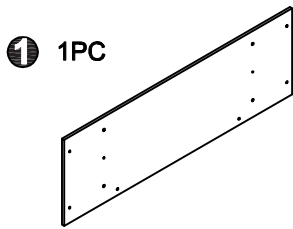
# BUFFET



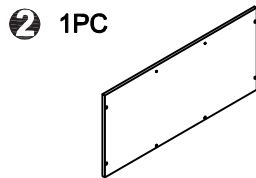
- Please keep instructions for future reference.
- Check the quantity and irregularity of parts and hardware before you start.



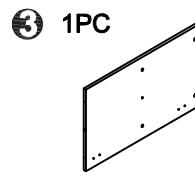
## PARTS



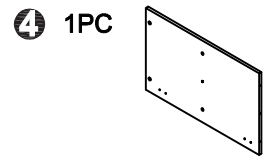
TOP



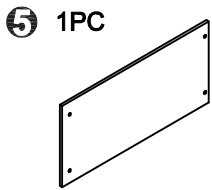
BOTTOM PANEL



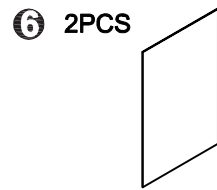
LEFT SIDE PANEL



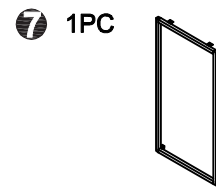
RIGHT SIDE PANEL



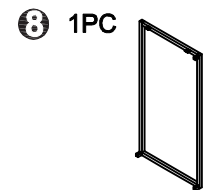
LAYER PLATE



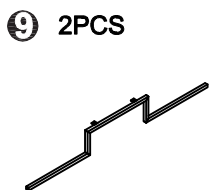
BACK PANEL



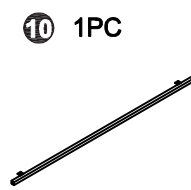
LEFT LEG



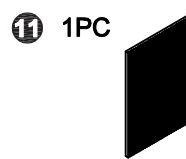
RIGHT LEG



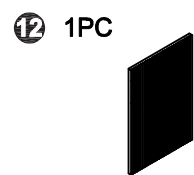
FORE/BACK FOOT



UP FOOT

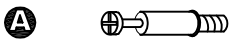


LEFT DOOR PANEL



RIGHT DOOR PANEL

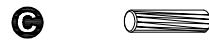
# HARDWARE



**A**  
SMALL CAMBOLT  
L20 8PCS



**B**  
SMALL CAMLOCK L  
Ø12 8PCS



**C**  
DOWEL  
Ø6X30 6PCS



**D**  
STICKER  
Ø15 8PCS



**E**  
SMALL SCREW  
Ø4X30 4PCS



**F**  
NAIL  
14PCS



**G**  
FLATHEAD SCREW  
Ø6X10 6PCS



**H**  
SMALL SCREW  
Ø4X12 10PCS



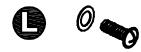
**I**  
SMALL SCREW  
Ø3.5X12 24PCS



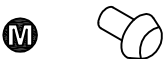
**J**  
HINGE  
301C 4PCS



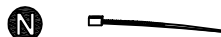
**K**  
HANDEL  
#128 2PCS



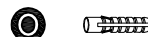
**L**  
FLATHEAD SCREW  
Ø4X22 4PCS



**M**  
TACK  
Ø14 4PCS



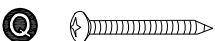
**N**  
STARP  
197X5X1 1PC



**O**  
DRYWALL ANCHOR  
Ø8X40 1PC



**P**  
METAL BRACKETS  
12X12X1 2PCS



**Q**  
DRYWALL SCREW  
Ø5X40 1PC

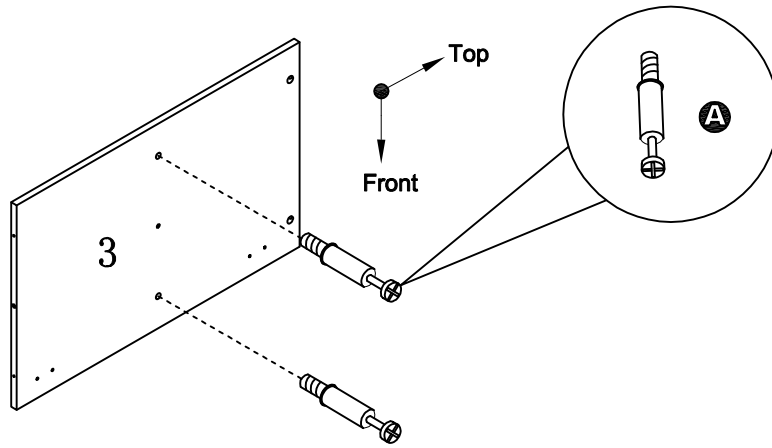


**R**  
FLATHEAD SCREW  
Ø4X25 1PC

# ASSEMBLY INSTRUCTIONS

# 1

HARDWARE **A** X 2PCS

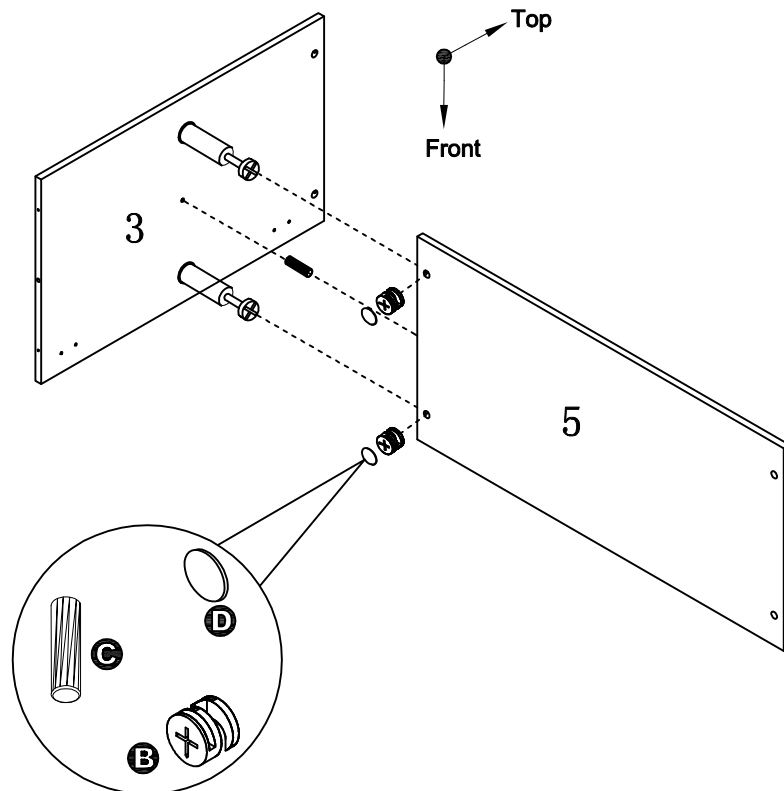


# 2

HARDWARE **B** X 2PCS

HARDWARE **C** X 1PC

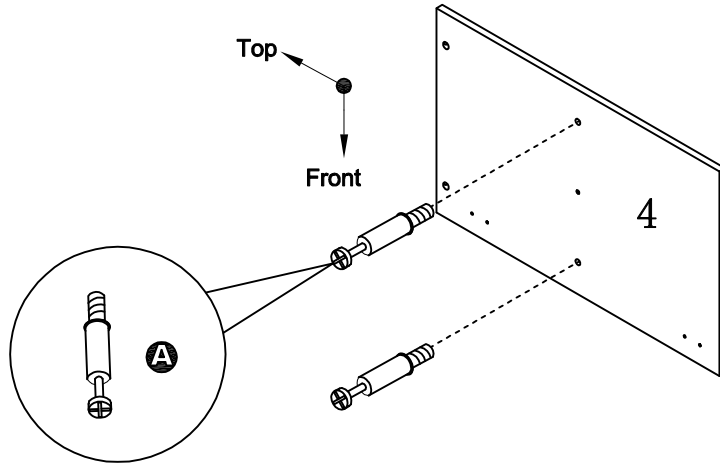
HARDWARE **D** X 2PCS



# ASSEMBLY INSTRUCTIONS

## 3

HARDWARE **A** X 2PCS

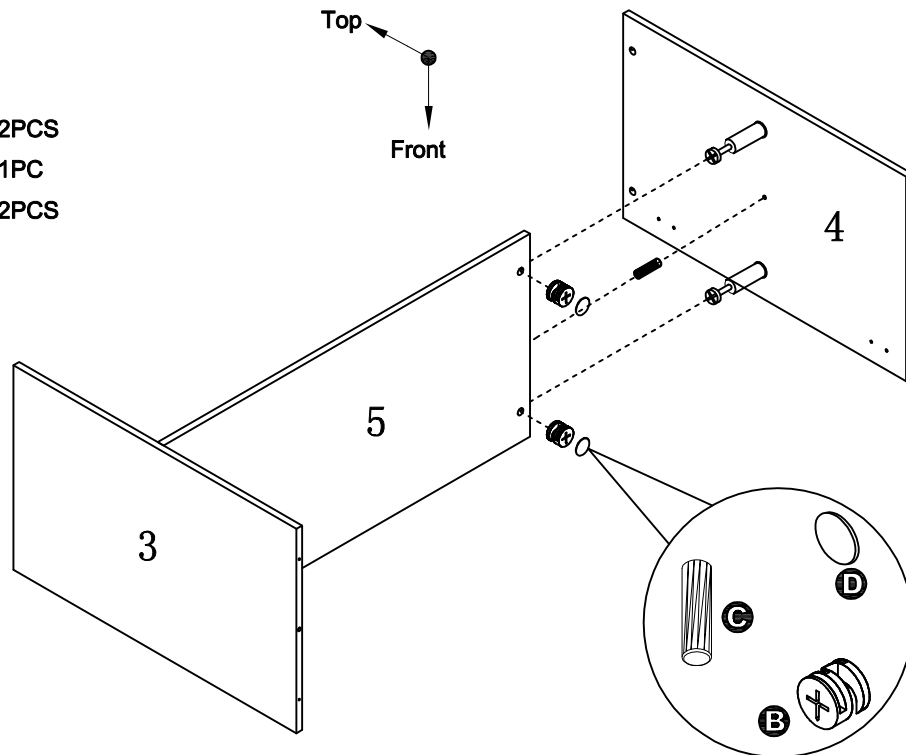


## 4

HARDWARE **B** X 2PCS

HARDWARE **C** X 1PC

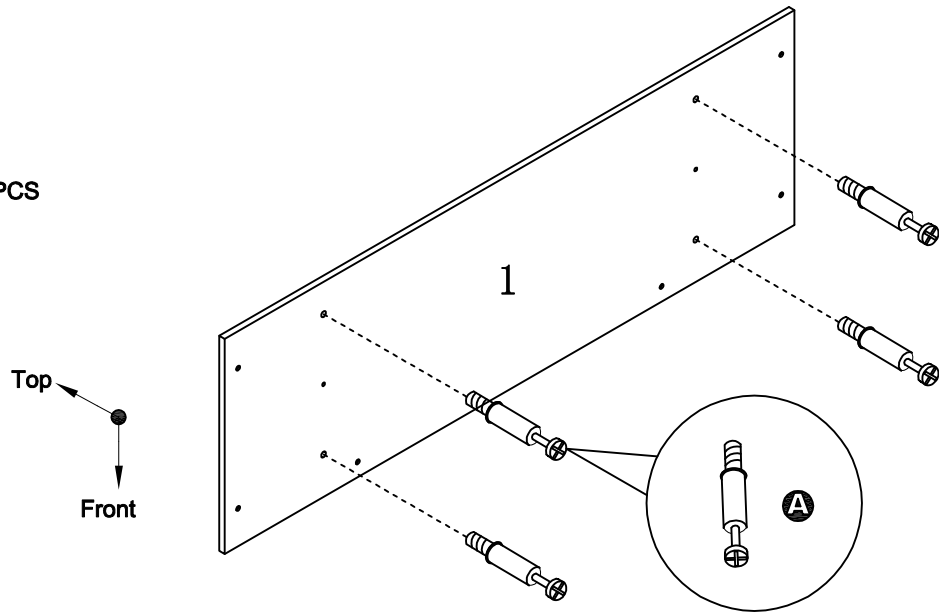
HARDWARE **D** X 2PCS



# ASSEMBLY INSTRUCTIONS

## 5

HARDWARE **A** X 4PCS

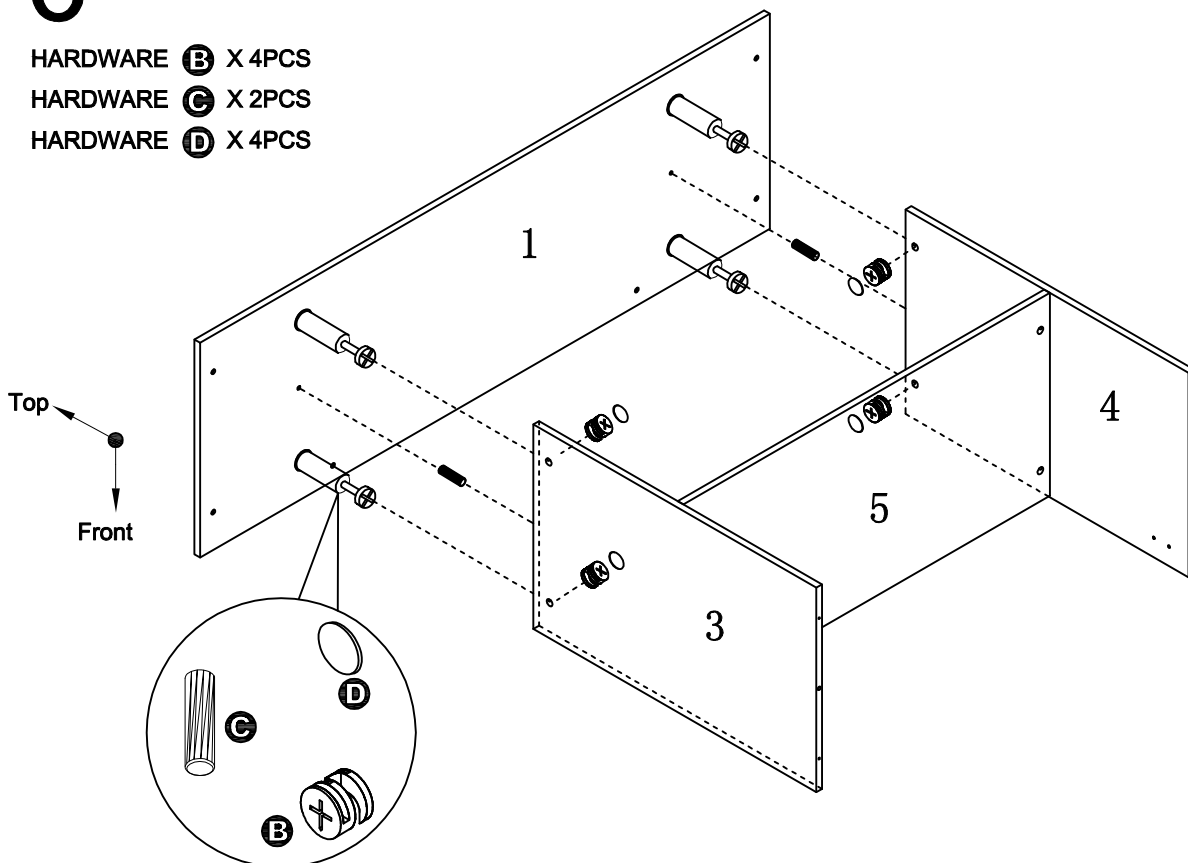


## 6

HARDWARE **B** X 4PCS

HARDWARE **C** X 2PCS

HARDWARE **D** X 4PCS

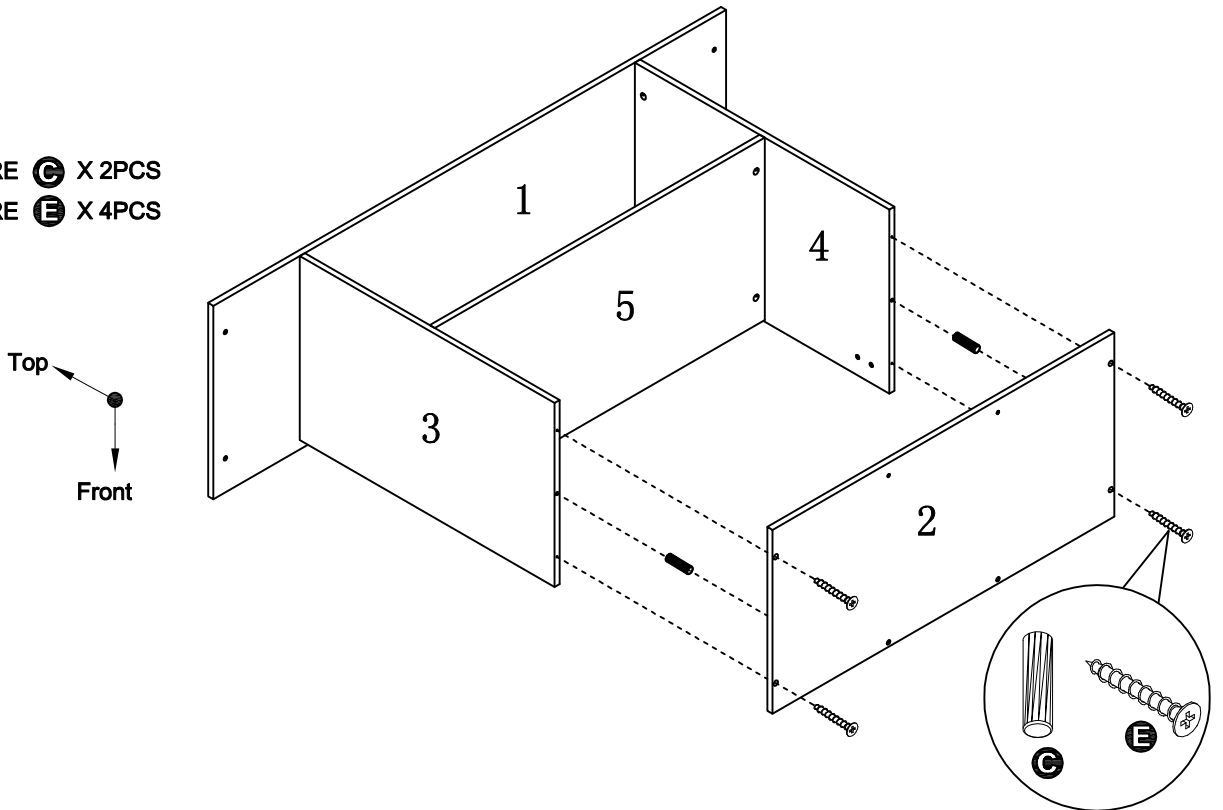


# ASSEMBLY INSTRUCTIONS

## 7

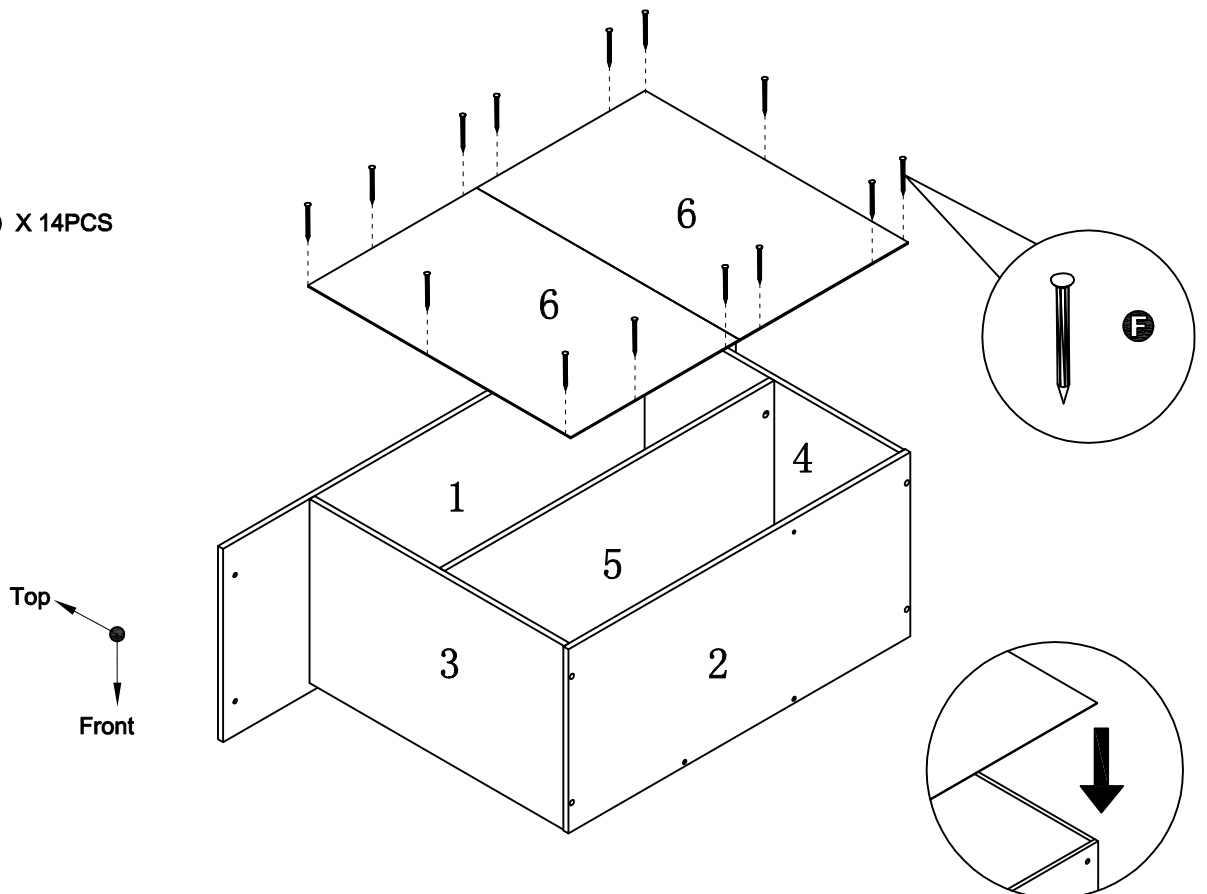
HARDWARE **C** X 2PCS

HARDWARE **E** X 4PCS



## 8

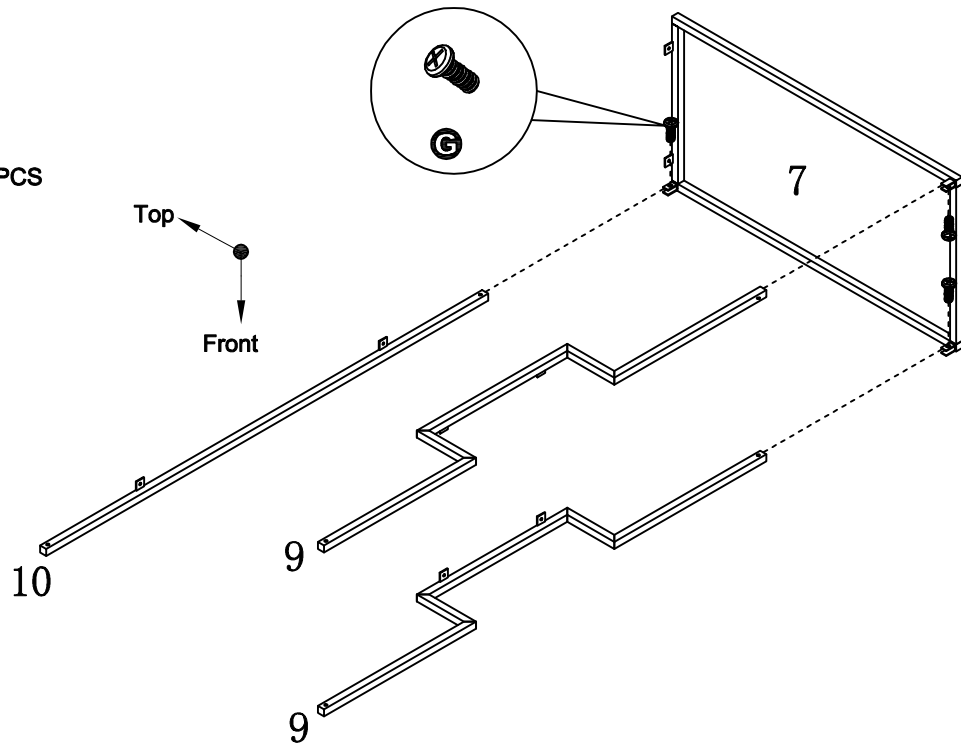
HARDWARE **F** X 14PCS



# ASSEMBLY INSTRUCTIONS

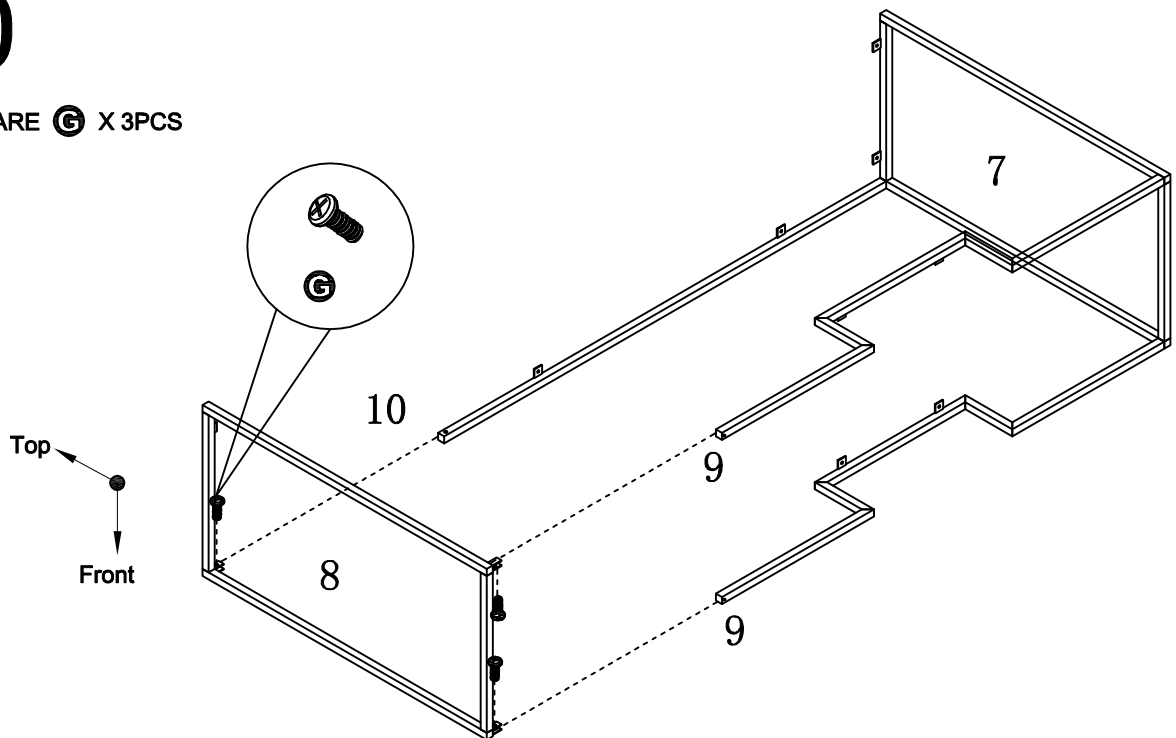
## 9

HARDWARE  X 3PCS



## 10

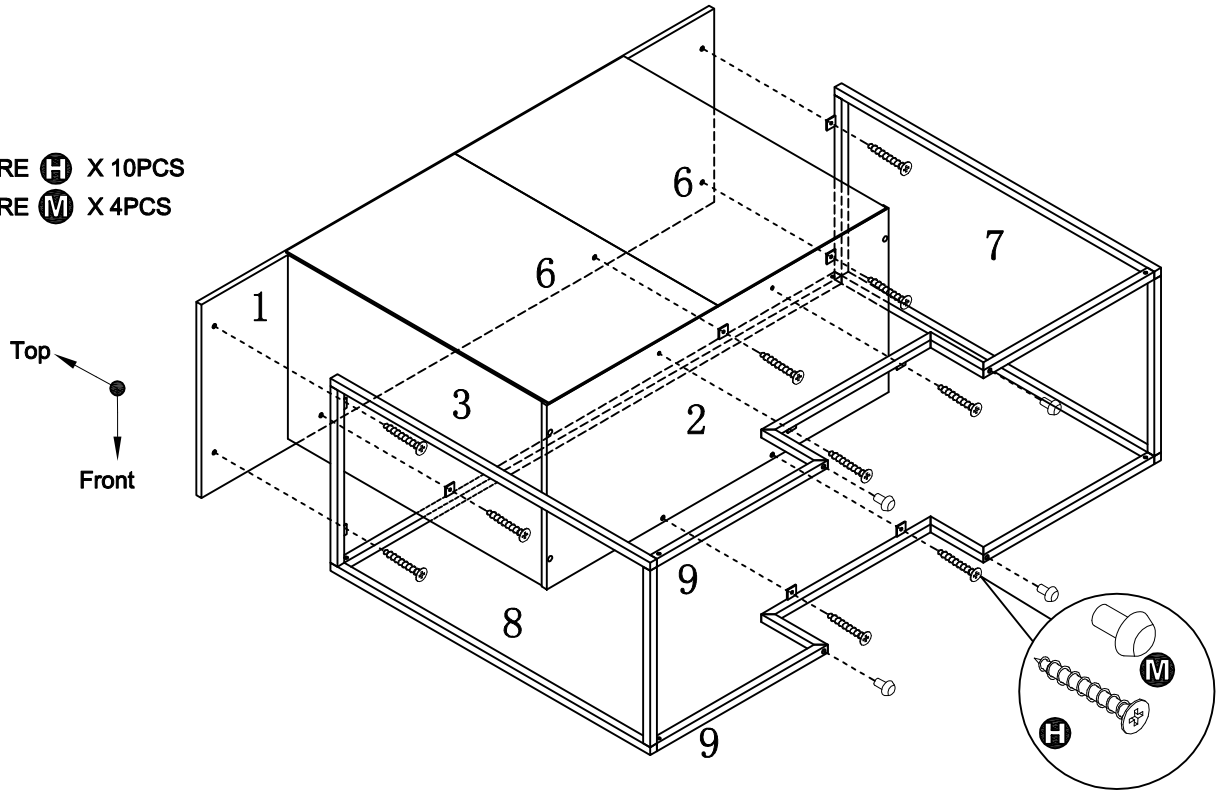
HARDWARE  X 3PCS



# ASSEMBLY INSTRUCTIONS

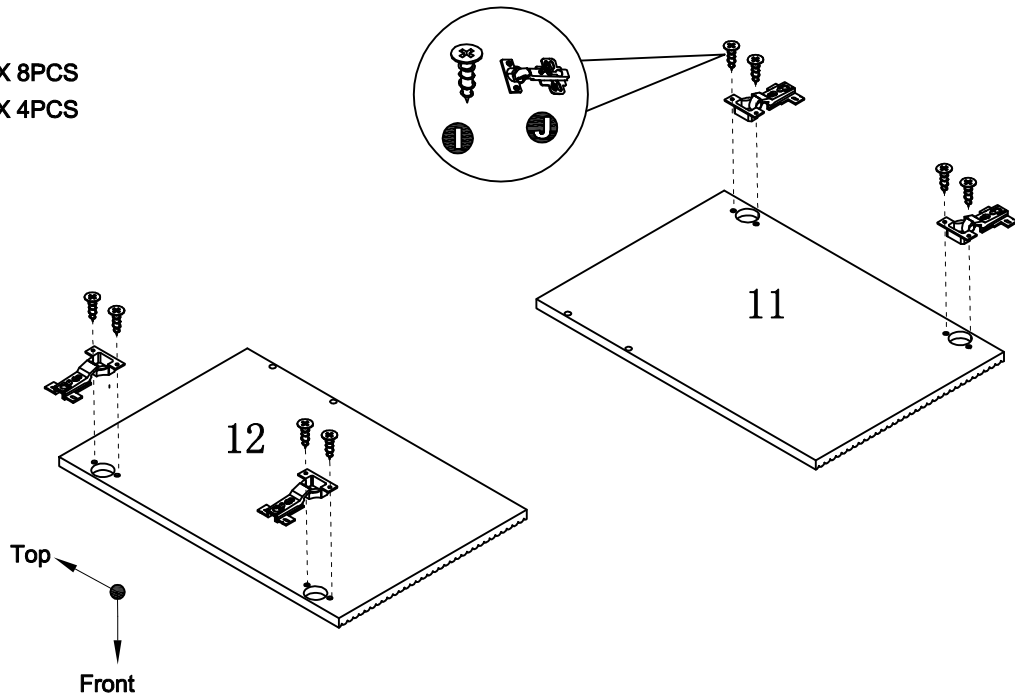
## 11

HARDWARE  X 10PCS  
HARDWARE  X 4PCS



## 12

HARDWARE  X 8PCS  
HARDWARE  X 4PCS



# ASSEMBLY INSTRUCTIONS

## HOW TO ADJUST HINGES

Gradually adjust the screws and close the door to review adjustment each time.

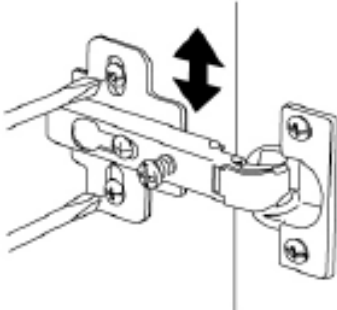


Fig. 1

### If door is too high or too low:

Loosen top and bottom screws, as shown in Fig.1, for all hinges on this door panel. Take care to support door. Adjust door up or down as necessary, hold in place, and tighten screws again.

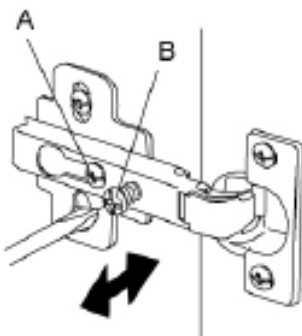


Fig. 2

### If doors have a gap in the middle or are hitting each other:

Loosen screw A and B, as shown in Fig. 2, for all hinges on this door panel. Take care to support door. Adjust door to the left or right as necessary, hold in place and tighten screw A, then B. If the door is not hanging straight, adjust the top and bottom hinges separately by tightening/loosening screw B, to correct the alignment of that corner. Turn screw B clockwise to move door toward frame. Turn screw B counterclockwise to move door away from frame.

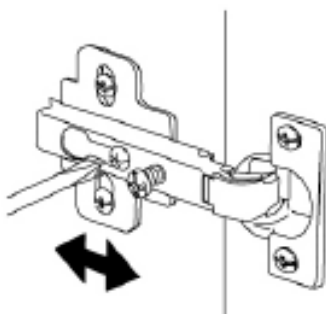


Fig. 3

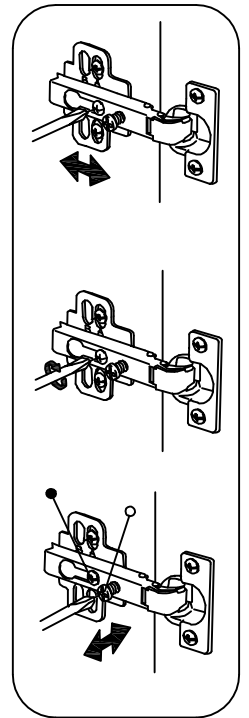
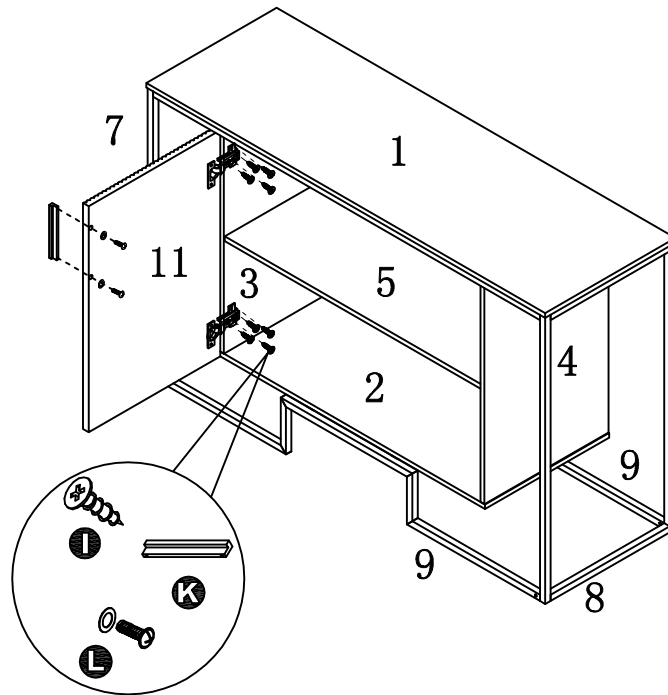
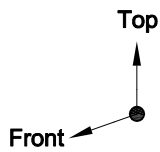
### If door is too close or far from frame:

Loosen screw, as shown in Fig. 3, for all hinges on this door panel. Take care to support door. Adjust door towards or away from frame as necessary, hold in place and tighten screws again.

# ASSEMBLY INSTRUCTIONS

## 13

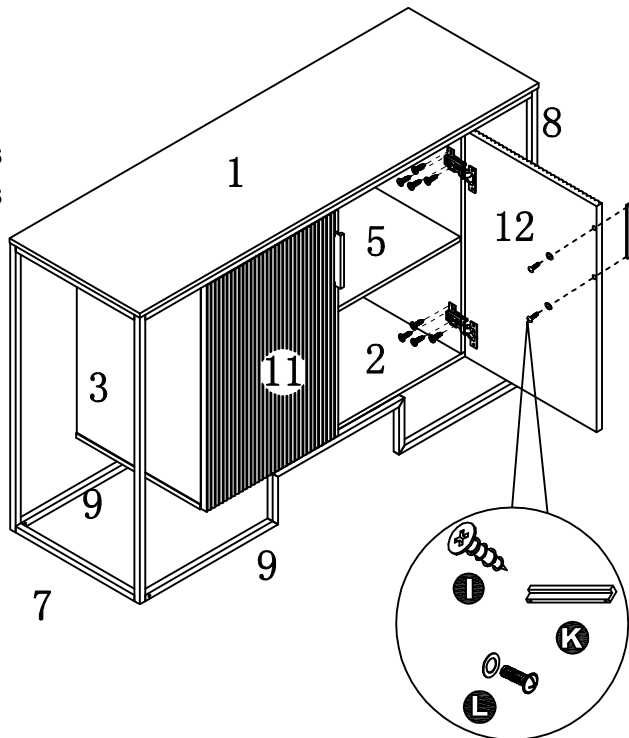
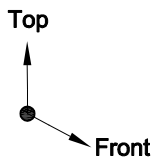
- HARDWARE **I** X 8PCS
- HARDWARE **K** X 1PCS
- HARDWARE **L** X 2PC



Please refer page15 on hinge adjustment guide.

## 14

- HARDWARE **I** X 8PCS
- HARDWARE **K** X 1PCS
- HARDWARE **L** X 2PC



### ASSEMBLY COMPLETED






Please ensure the furniture rests on an even and flat surface. If the product wobbles or feels loose, double-check all bolts and/or screws are properly tightened and secured.

- Keep this handy!**  
 Please retain this instruction manual and any order-related information for future reference.
- Lift, don't drag!**  
 To avoid damage to product please always LIFT the product when transporting or adjusting the placement.

This product is intended for RESIDENTIAL USE ONLY and not for commercial use.

# ASSEMBLY INSTRUCTIONS

# 15

HARDWARE  X 1PC  
HARDWARE  X 1PC  
HARDWARE  X 2PCS  
HARDWARE  X 1PC  
HARDWARE  X 1PC

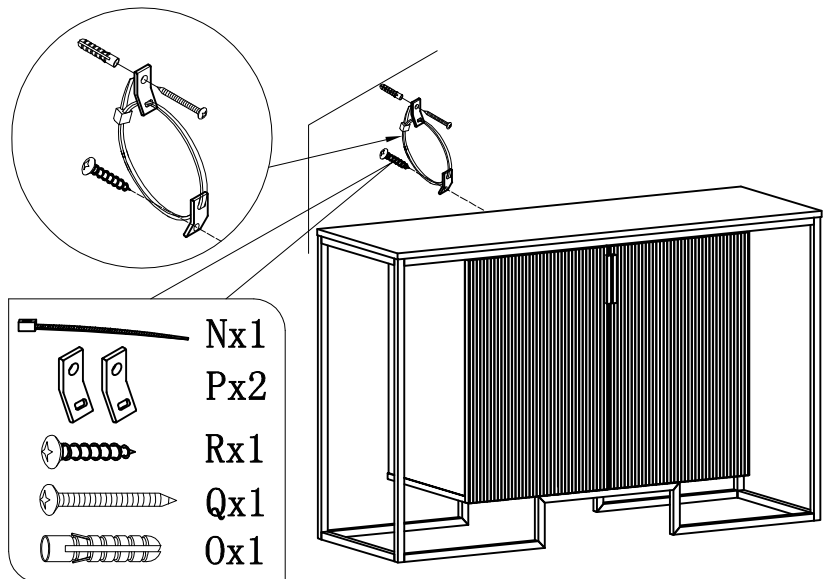
## SAFETY STRAP TO PREVENT TIP-OVER

### SAFETY STRAP TO PREVENT TIP-OVER

**Drywall:** Select a location where you want the table to be mounted. Place the assembled table against the wall and, on the wall, mark the location where the anchor will be placed. Drill a hole slightly smaller than the size of the screw. Push the anchor as far as it will go with your finger. Tap gently with a hammer until the anchor is flush with the wall surface. Secure the strap using a Phillips screwdriver to tighten the screw through the strap and into the anchor. On the other end of the strap, secure it using a Phillips screwdriver to tighten the screw through the strap and into the back of the table.

**If the location happens to be a wood stud, do the following:**

No anchor will be needed if securing to a wood stud. Drill a hole slightly smaller than the size of the screw. Secure the strap using a Phillips screwdriver to tighten the screw through the strap and into the wall (wood stud). On the other end of the strap, secure it using a Phillips screwdriver to tighten the screw through the strap and into the back of the table.



Before strapping, make sure the table is rested on a flat surface and does not feel loose or wobbly. If it does, double check that the bolts/screws are secured and properly tightened.

## ASSEMBLY IS COMPLETED