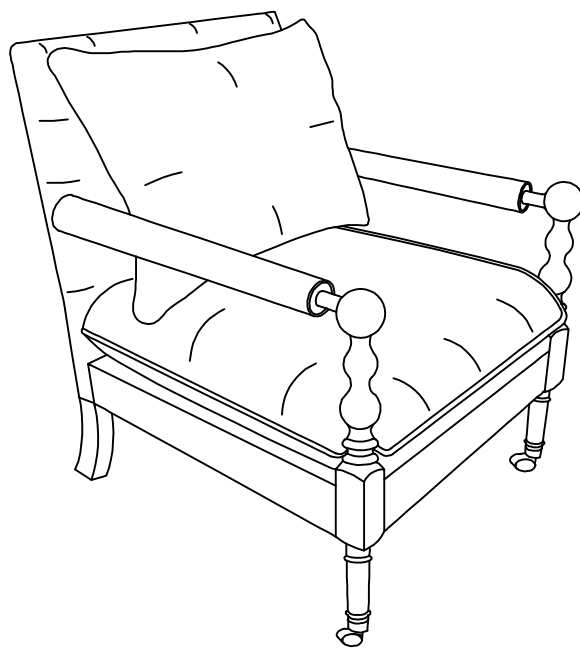


ASSEMBLY INSTRUCTIONS



Fine Furniture for every stage of life

REVISION 0 : 11/17/2018
REVISION 1: 05/28/2019

Accent Chair

ASSEMBLY INSTRUCTIONS

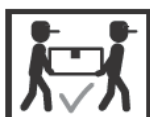
ASSEMBLY TIPS:

1. Remove hardware from box and sort by size.
2. Please check to see that all hardware and parts are present prior start of assembly.
3. Please follow attached instructions in the same sequence as numbered to assure fast & easy assembly.



WARNING!

1. Don't attempt to repair or modify parts that are broken or defective .Please contact the store immediately.
2. This product is for home use only and not intended for commercial establishment.










ASSEMBLY TIME

10 MINUTES

PARTS IDENTIFICATION

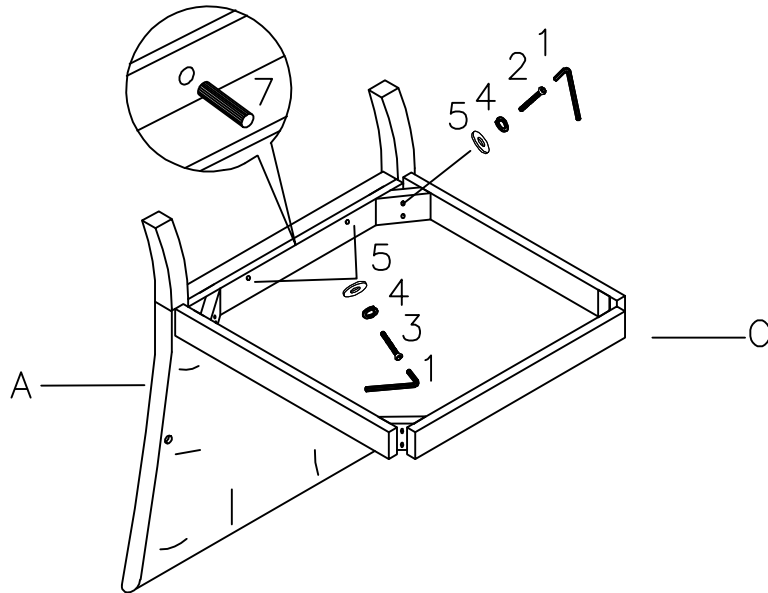
- | | | |
|----|--|---------------------|
| A. | | CHAIR BACK
1PC |
| B. | | SEAT CUSHION
1PC |
| C. | | SEAT FRAME
1PC |
| D. | | LEFT ARM
1PC |
| E. | | RIGHT ARM
1PC |
| F. | | PILLOW
1PC |

HARDWARE IDENTIFICATION

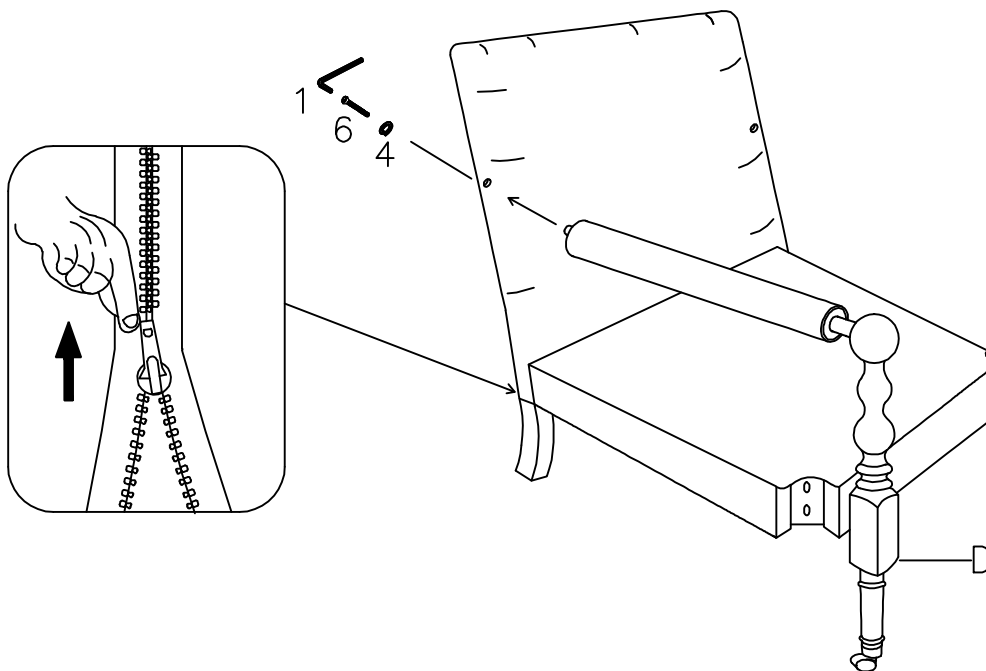
1	ALLEN KEY M5mm		1PC
2	BOLT $\phi 5/16$ "*3-1/2"		4PCS
3	BOLT $\phi 5/16$ "*2-1/4"		6PCS
4	SPRING WASHER-BIG $\phi 5/16$ "		12PCS
5	FLAT WASHER-BIG $\phi 5/16$ "*22mm		10PCS
6	BOLT $\phi 5/16$ "*2-3/4"		2PCS
7	WOOD DOW 10*30mm		1PC

ASSEMBLY INSTRUCTIONS

STEP 1

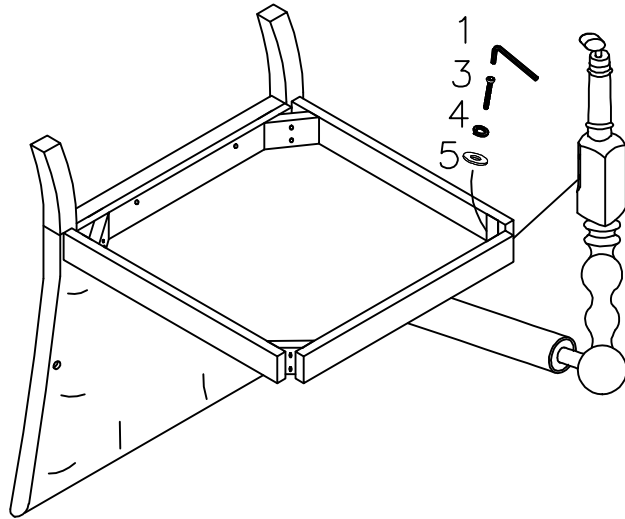


STEP 2

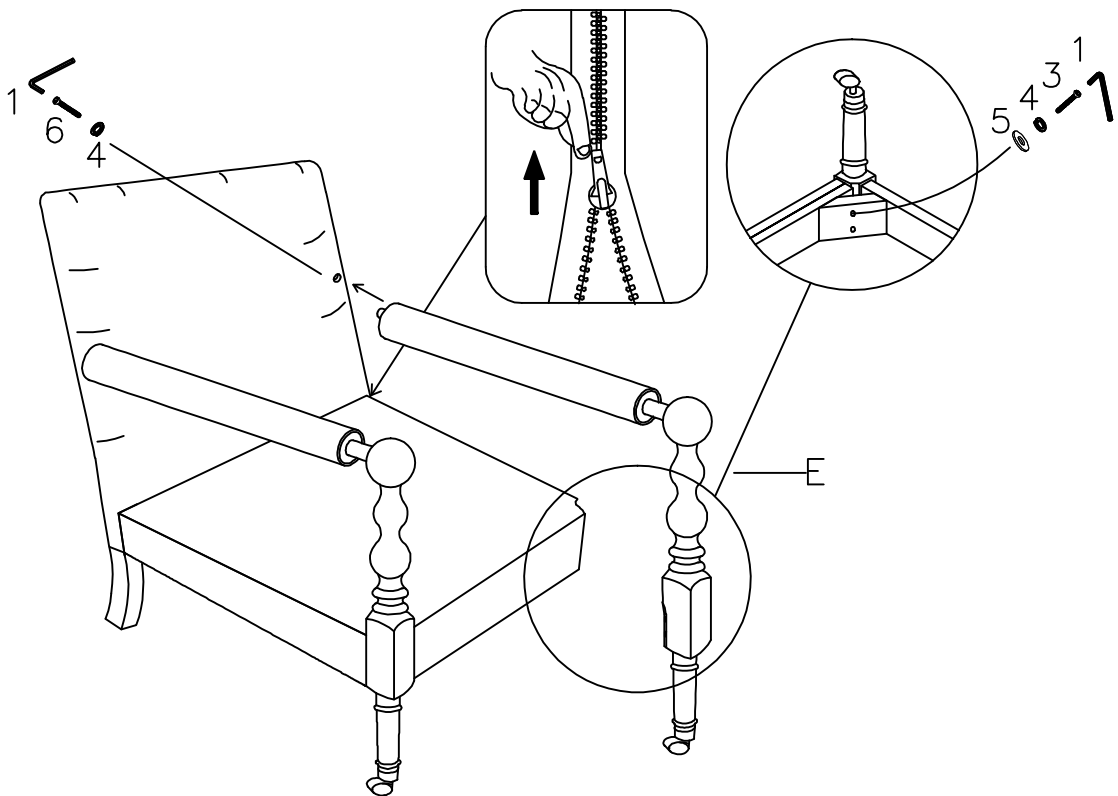


ASSEMBLY INSTRUCTIONS

STEP 3



STEP 4



ASSEMBLY INSTRUCTIONS

STEP 5

