

Outdoor Storage Shed

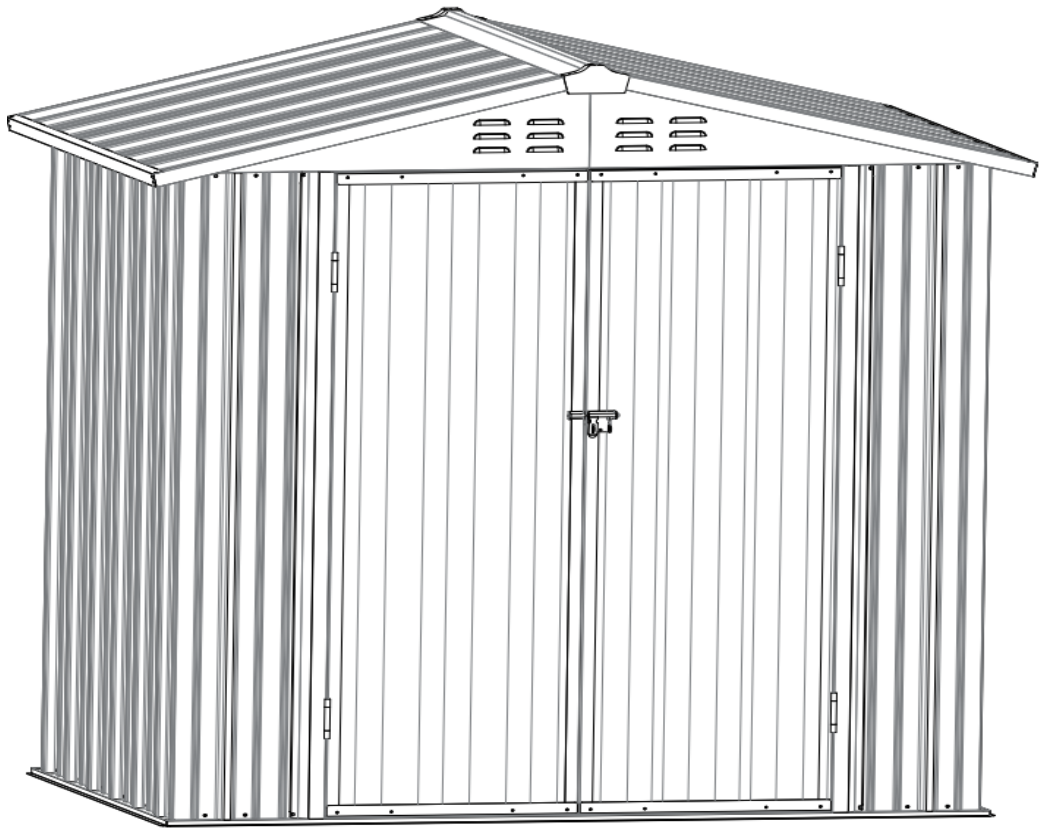
Assembly Guide



4 Hours



x 2



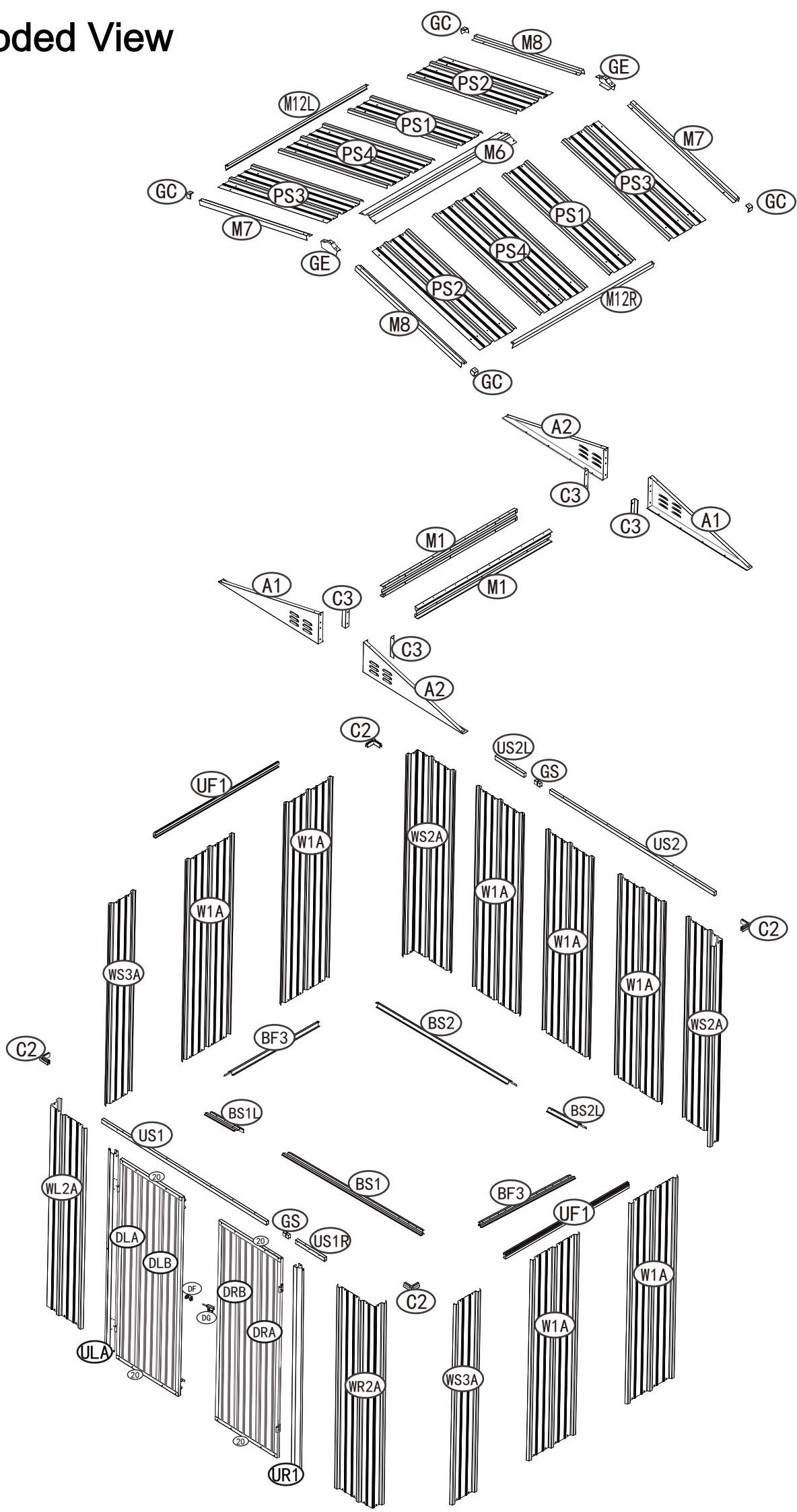
CUSTOMER FIRST, SERVICE FOREMOST!

QUESTIONS? ISSUES?

CONTACT US

REPLY WITHIN 24 HOURS IN BUSINESS DAYS

Exploded View



Thank you for purchasing this item, please read this instruction guide carefully before assembly and keep it for future reference.

WHAT DO YOU GET?



BOX 1

+



BOX 2

Attention: These 2 boxes may arrive at different times, please wait patiently.

THE TOOLS YOU NEED TO PREPARE



WARNING

- Remove all parts from the box and sort them by number. Ensure all parts are present before assembly.
- Wear work gloves, long sleeves and safety goggles during assembly. Some components contain sharp edges that may cause damage.
- Set your drill's torque limit to prevent damage to the metal parts.
- Ensure ground stability is adequate when necessary to use a ladder. Never rest your entire weight on the roof or on any other part of the storage shed.
- Do not attempt to assemble the storage shed in strong windy conditions.
- Keep children and animals away from the assembly site.

NOTICE:If there is slight bending on the corners



- ① Pls wear gloves and stretch the corners slightly until they are flat






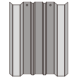



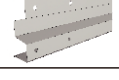
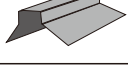





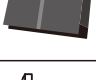
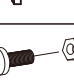




- ② Then the sheets will be normal and there is no effect to the assembling






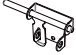
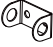


Part List



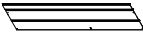
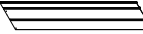
The parts are stacked together for easier transportation. When you think something is missing, please try to separate every part first and check.

PART	NO.	Qty.
	A1	2
	A2	2
	BS1	1
	BS1L	1
	BS2	1
	BS2L	1
	BF3	2
	M12L	1
	C3	4
	DRA	1
	DLA	1
	US1	1
	US1R	1
	US2	1
	US2L	1
	UF1	2
	ULA	1
	DC	2
	V1	50
	V2	200
	UR1	1

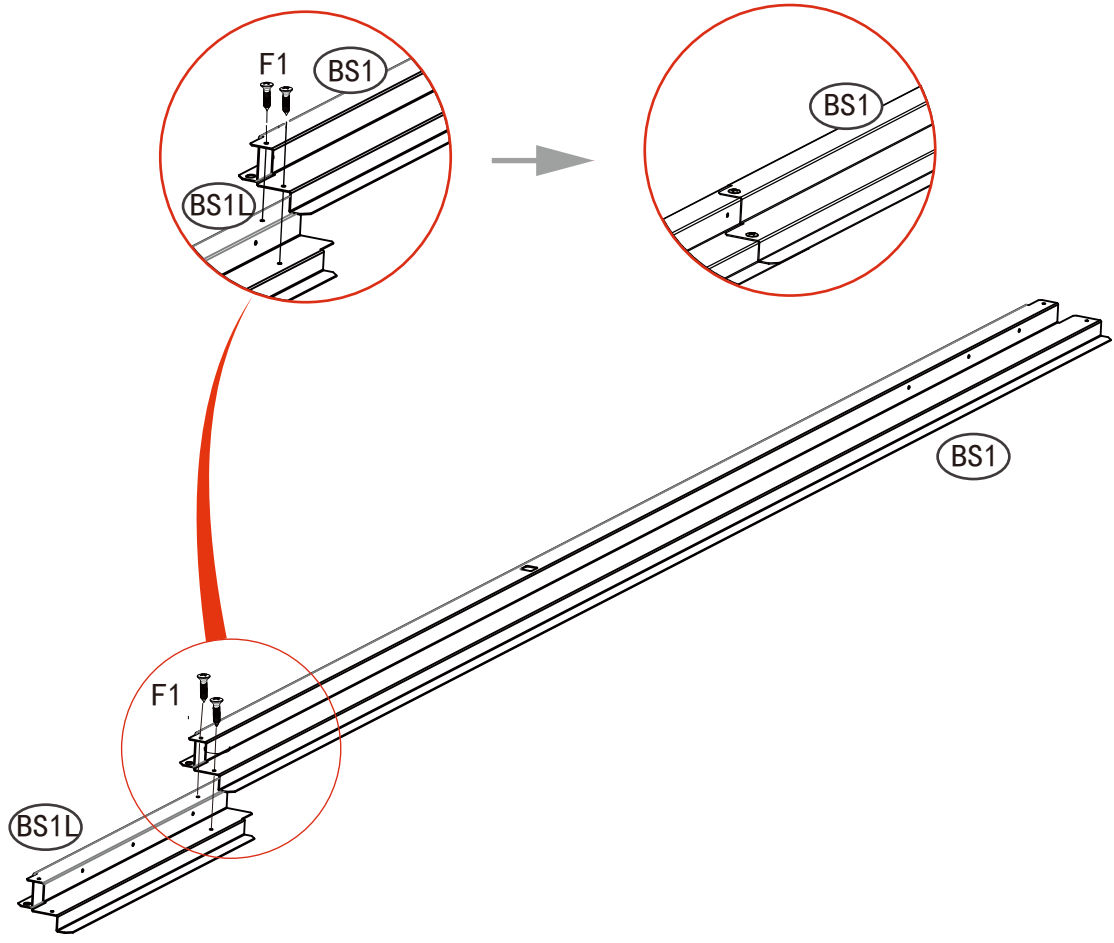
PART	NO.	Qty.
	W1A	7
	WS2A	2
	WS3A	2
	PS1	2
	PS2	2
	PS3	2
	PS4	2
	M1	2
	M6	1
	M7	2
	M8	2
	M12R	1
	GC	4
	GE	2
	GS	2
	F1	204
	F2	16
	F3	32
	DX2	4
	F4	5

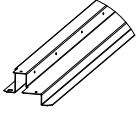
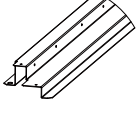

Part List

PART	NO.	Qty.
 M10X100	F6	4
	DH	4
	20	4
	DG	1
	DF	1
	LOCK	1
	C2	4

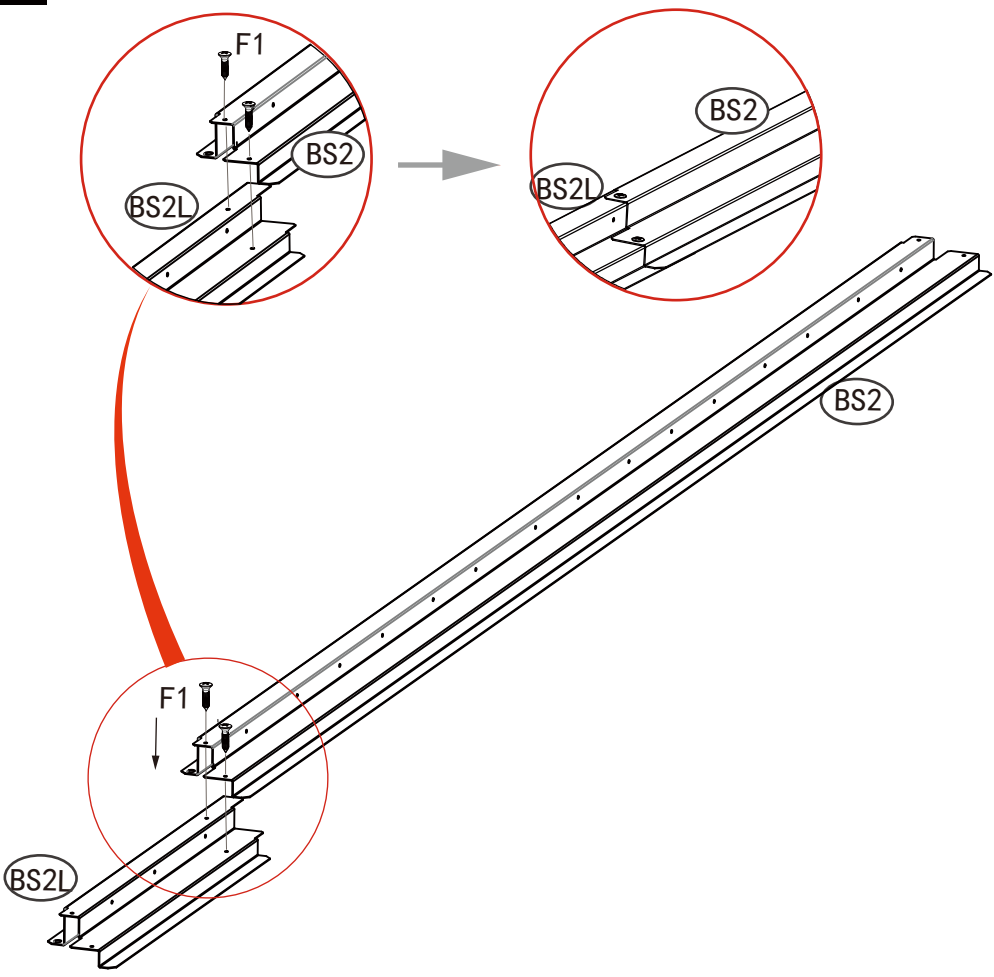
PART	NO.	Qty.
	WL2A	1
	WR2A	1
	DLB	1
	DRB	1

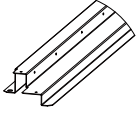
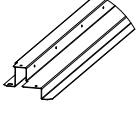

Step 1



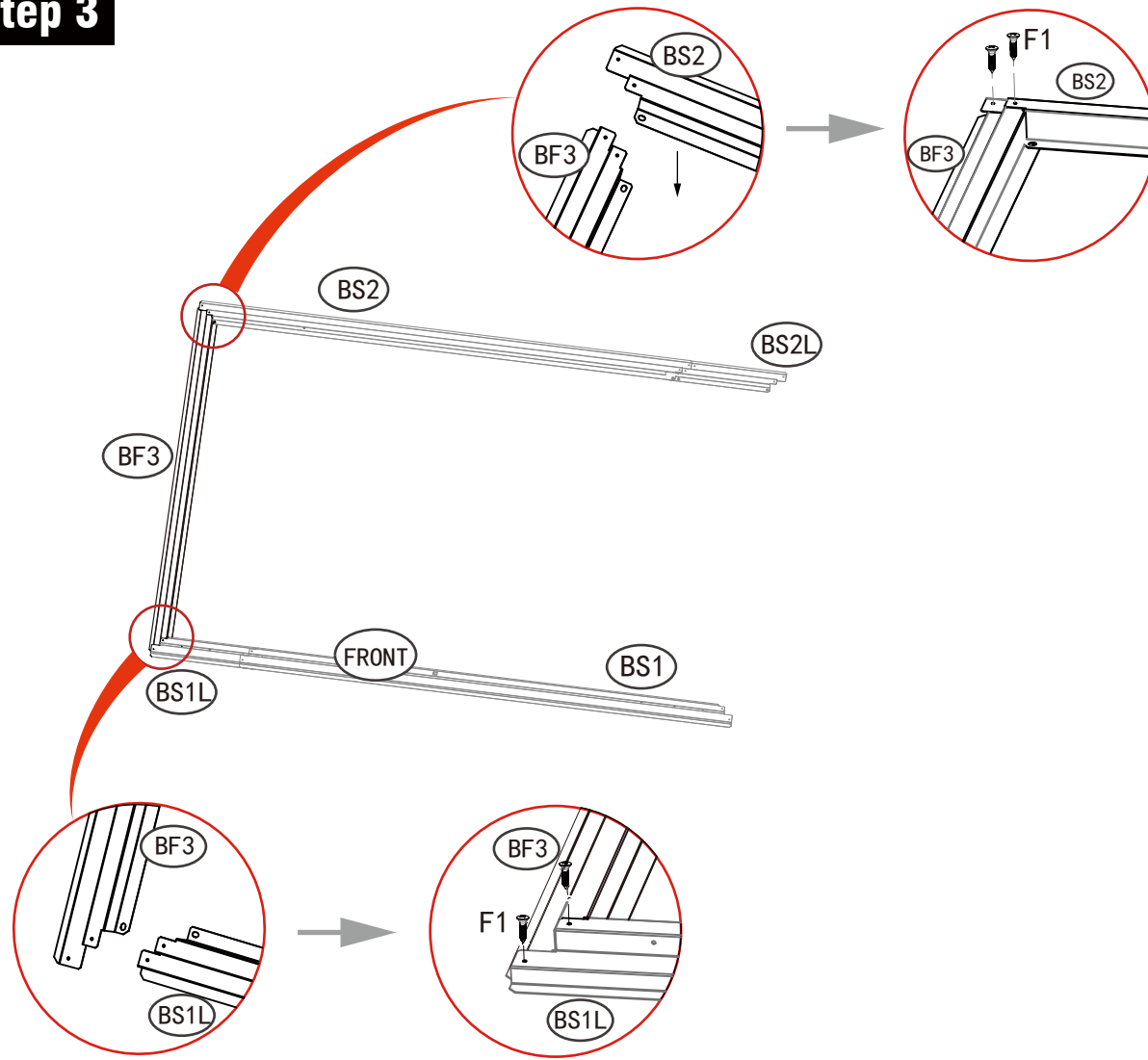
BS1

1 PC
BS1L

1 PC
F1

2 PC

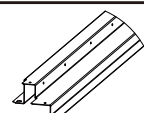
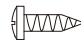
Step 2



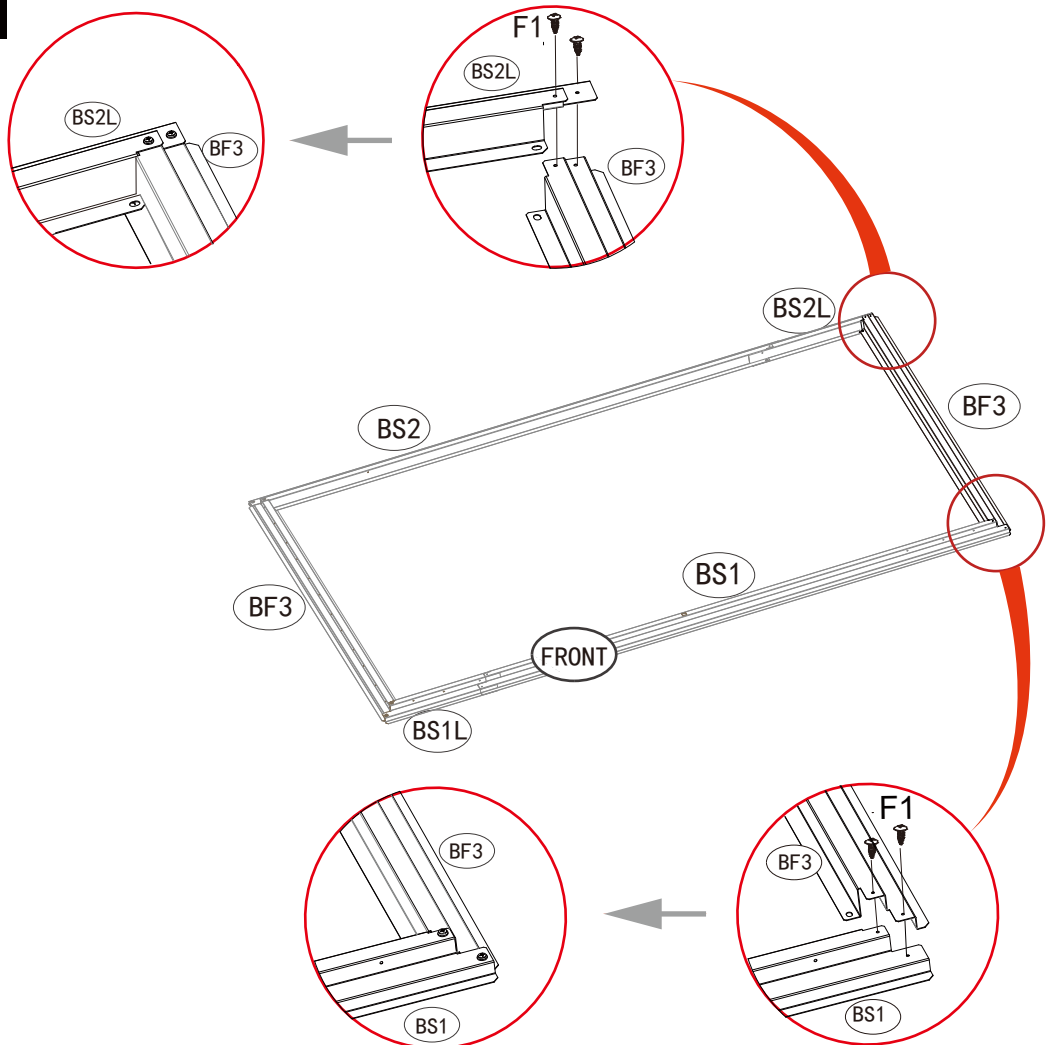
BS2

1 PC
BS2L

1 PC
F1

2 PC

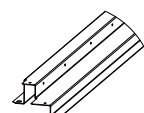

Step 3



BF3

1 PC
F1

4 PC

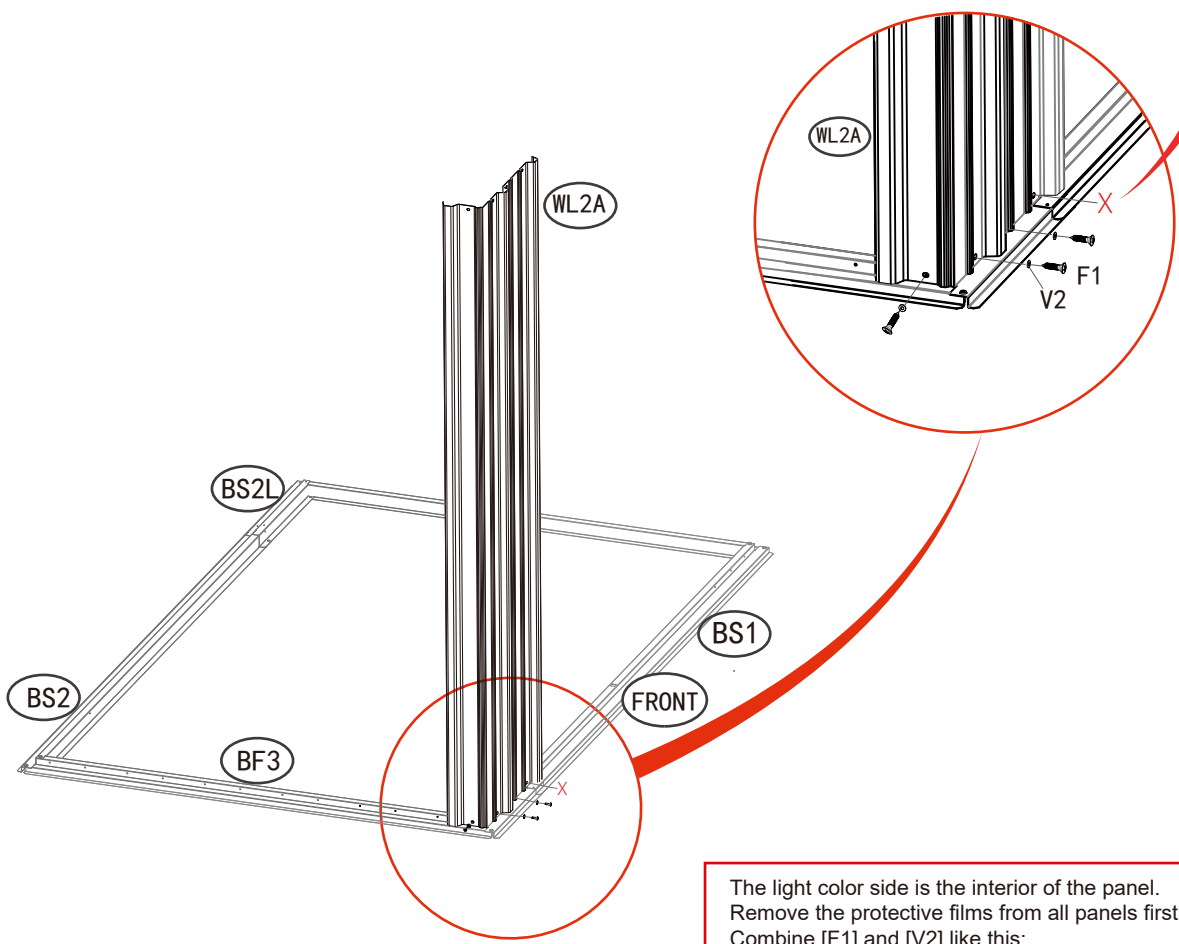
Step 4

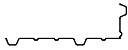




BF3

1 PC
F1

4 PC

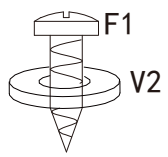
Step 5

X: This screw hole doesn't need to be assembled in this step.



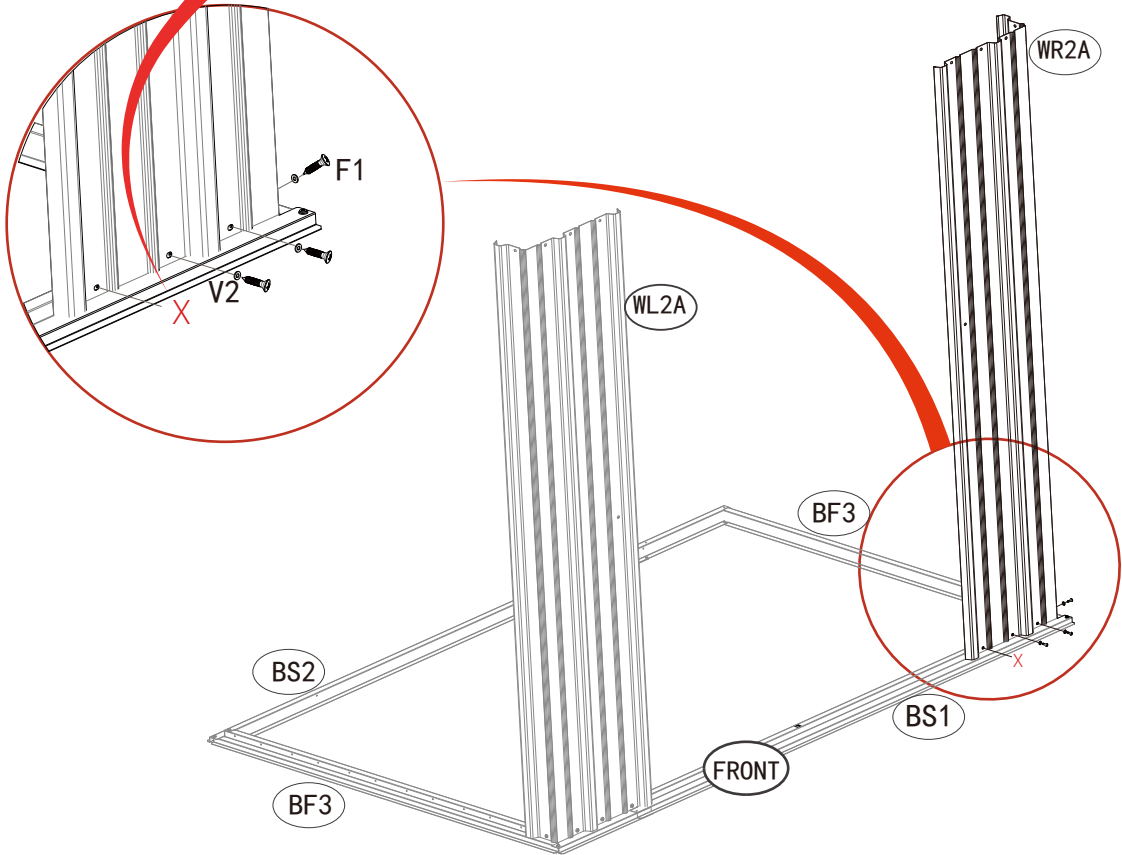
WL2A

1 PC
F1

3 PC
V2

3 PC




The light color side is the interior of the panel. Remove the protective films from all panels first. Combine [F1] and [V2] like this:



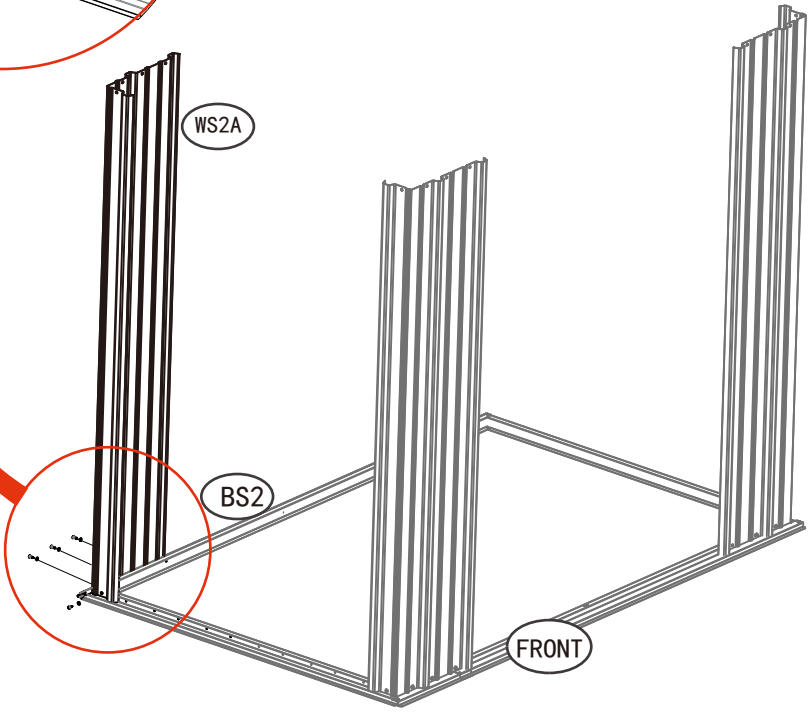
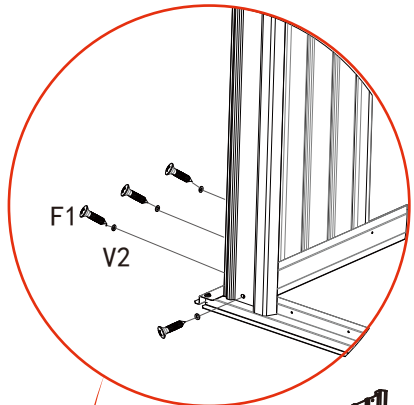
Step 6


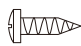

X: This screw hole doesn't need to be assembled in this step.



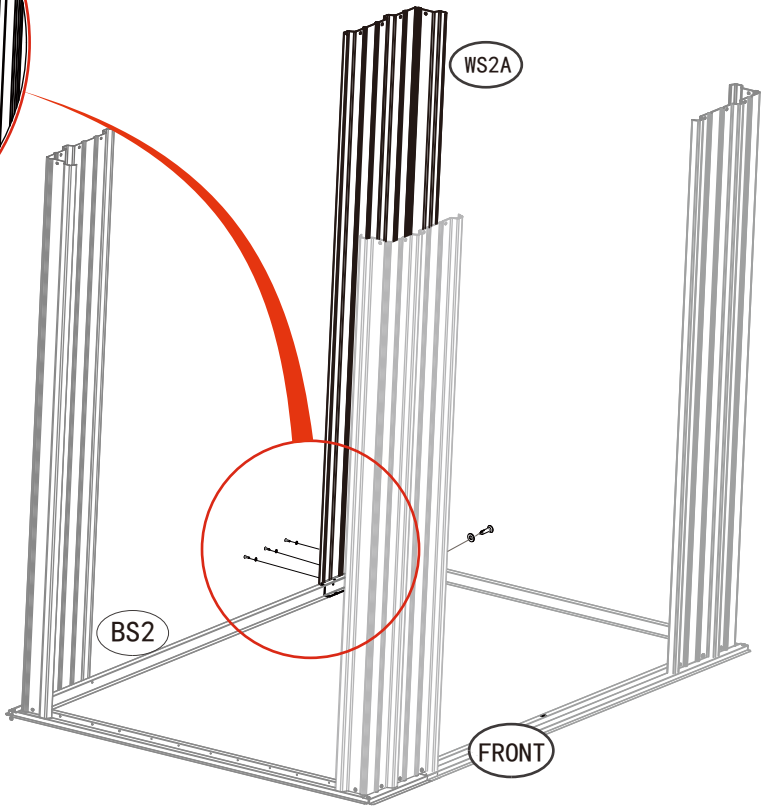
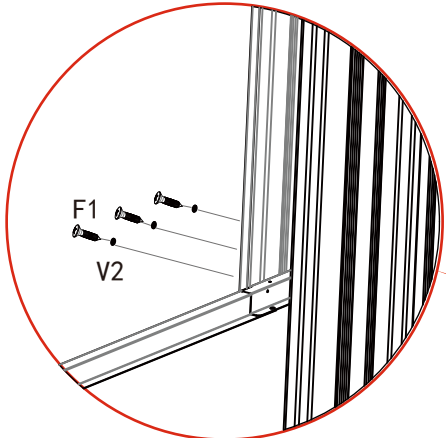
WR2A

1 PC
F1

3 PC
V2

3 PC


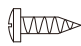

Step 7



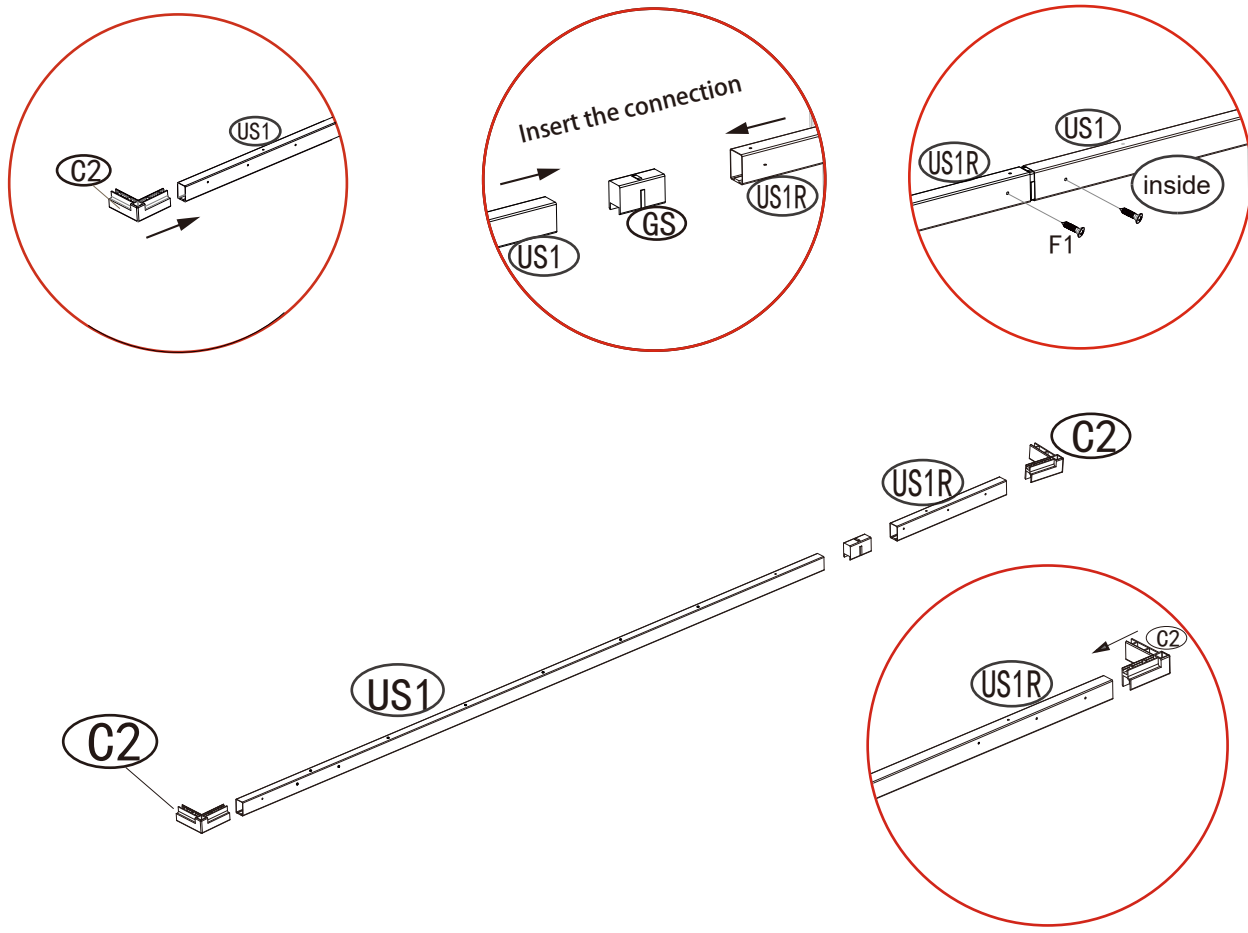
WS2A

1 PC
F1

4 PC
V2

4 PC

Step 8



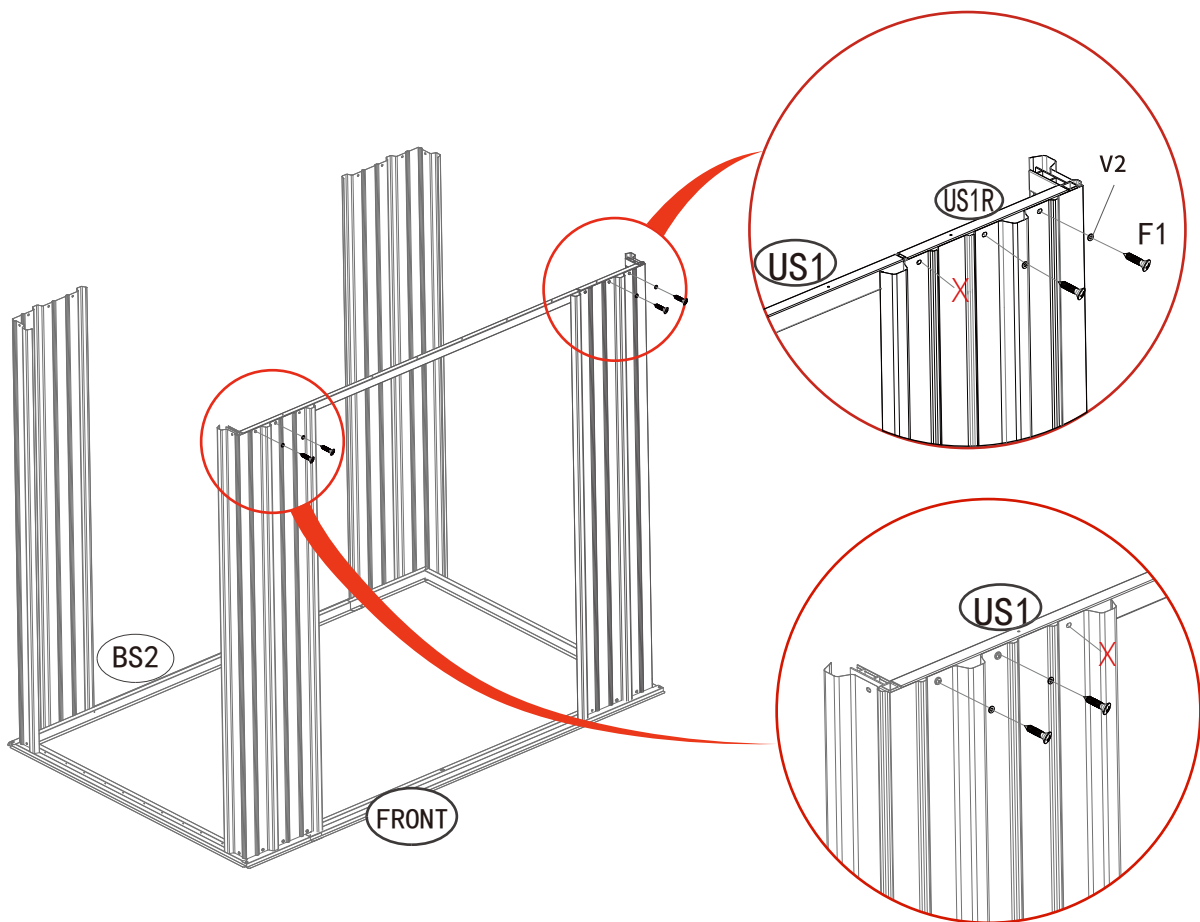
WS2A

1 PC
F1

4 PC
V2

4 PC

Step 9



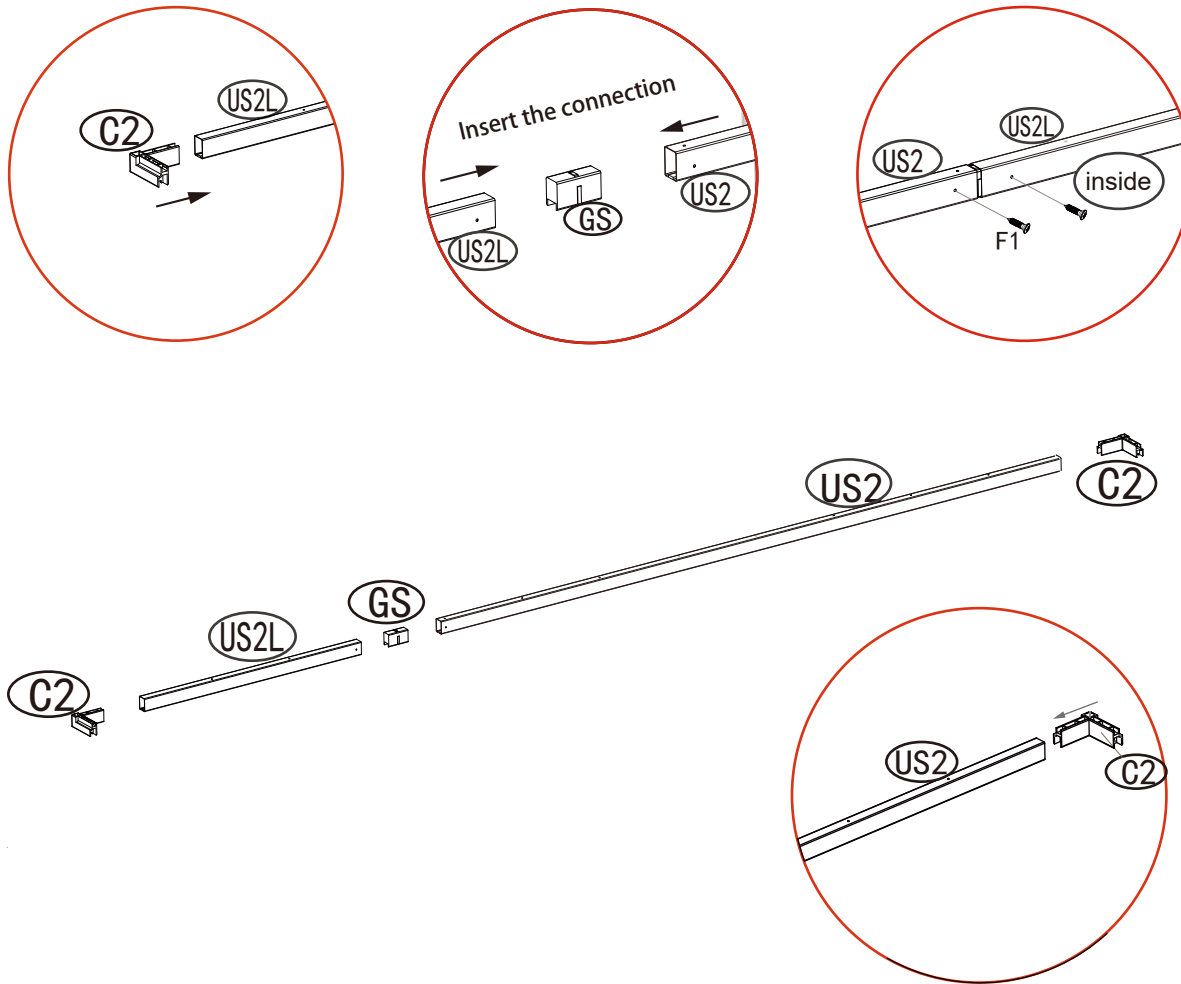
US1R		1 PC
US1		1 PC
C2		2 PC
GS		1 PC
F1		2 PC

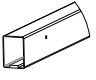
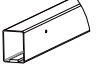
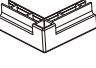
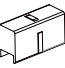

Step 10



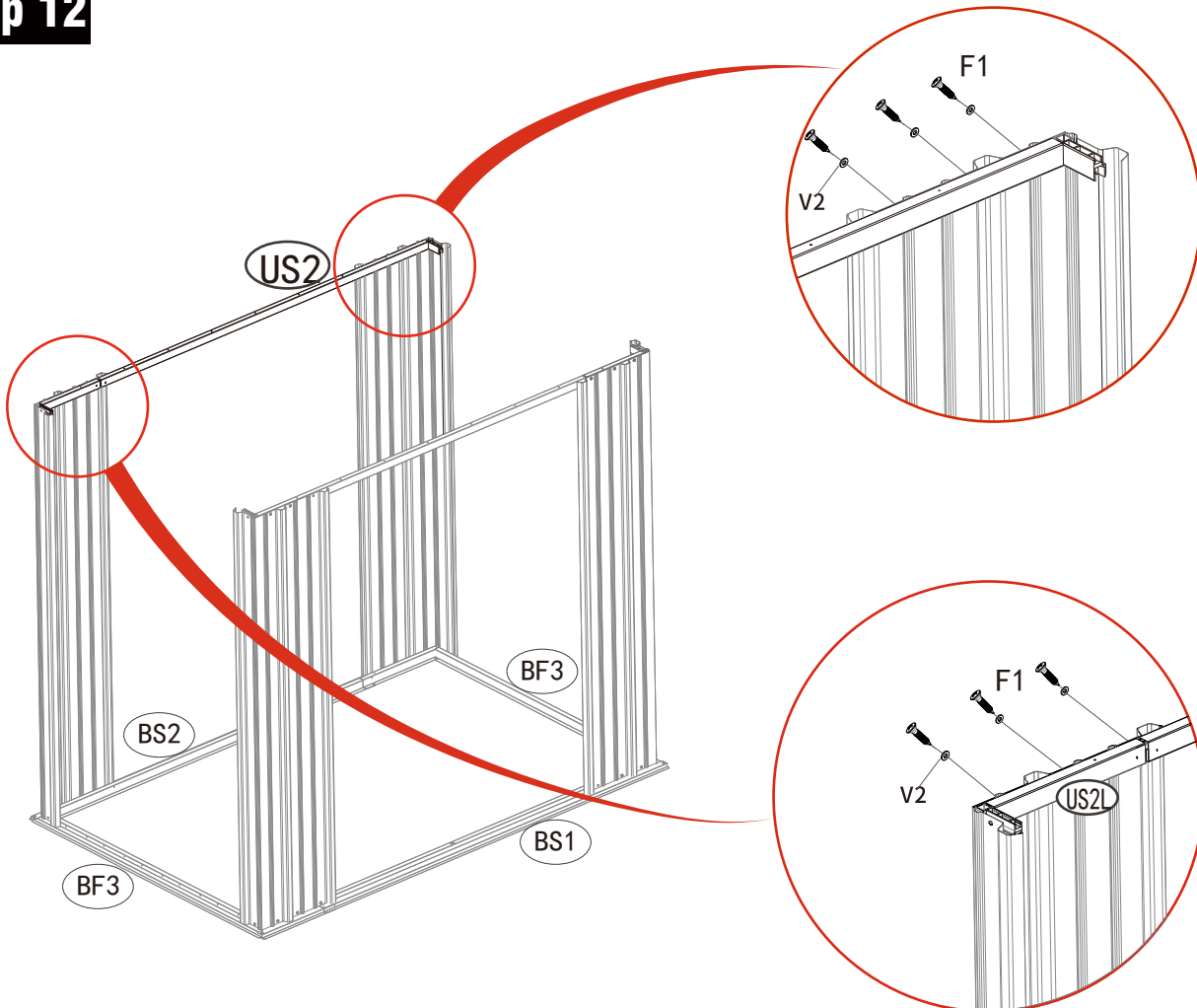
F1		4 PC
V2		4 PC

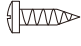

Step 11



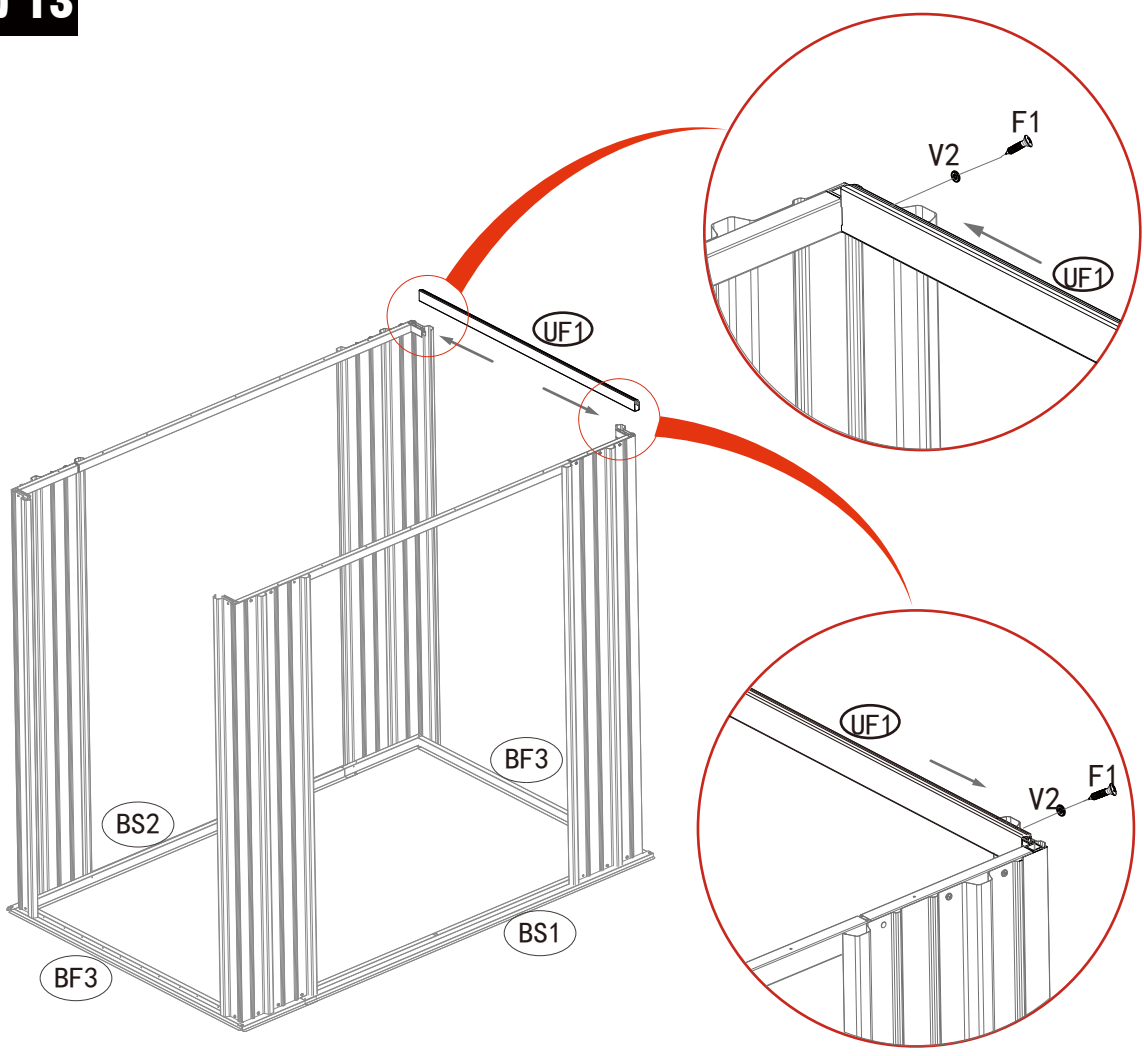
US2L	
1 PC	
US2	
1 PC	
C2	
2 PC	
GS	
1 PC	
F1	
2 PC	

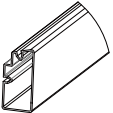


Step 12



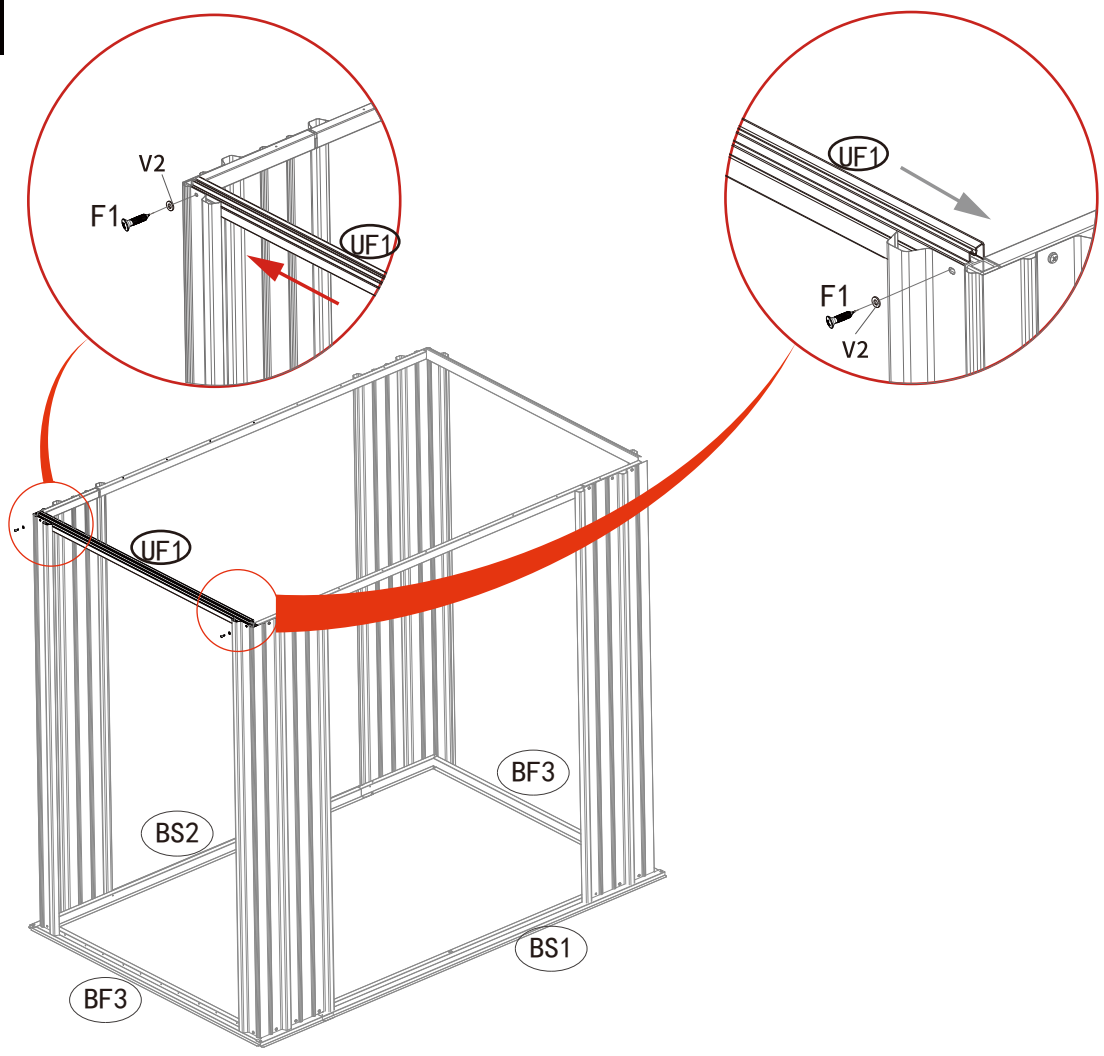
F1	
6 PC	
V2	
6 PC	

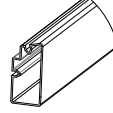
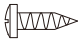

Step 13



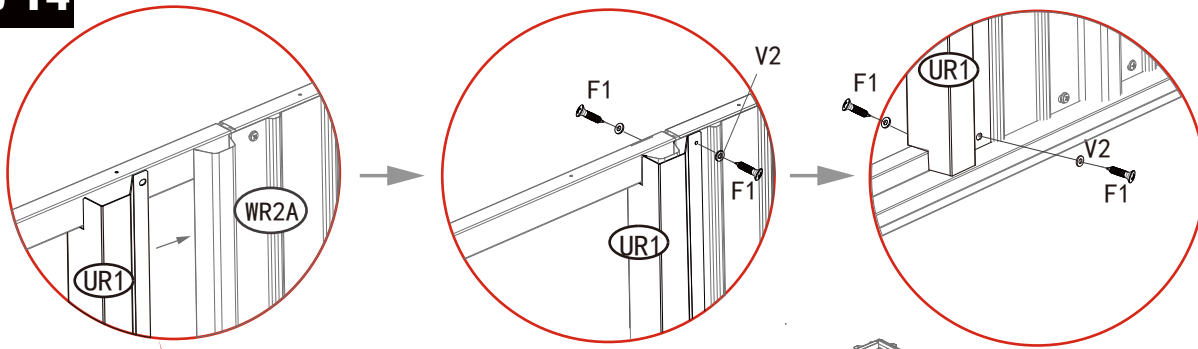
UF1

1 PC
F1

2 PC
V2

2 PC

Step 13-1

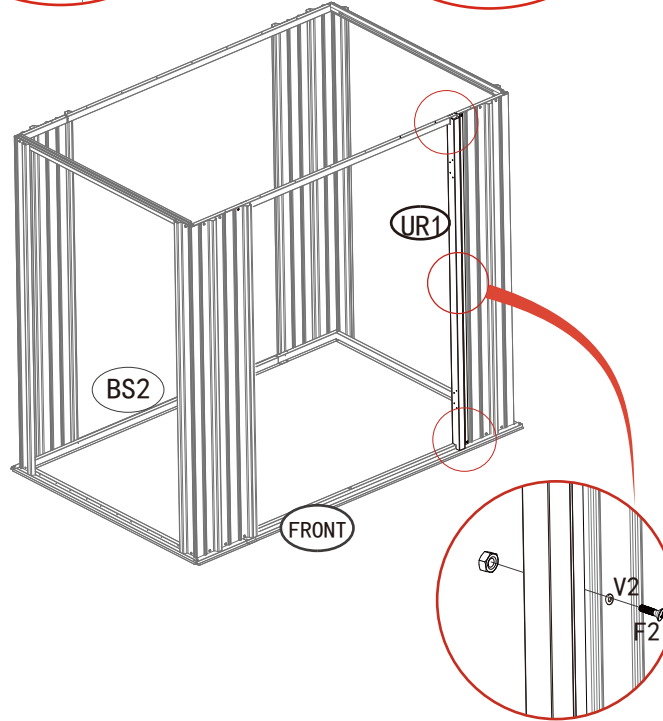
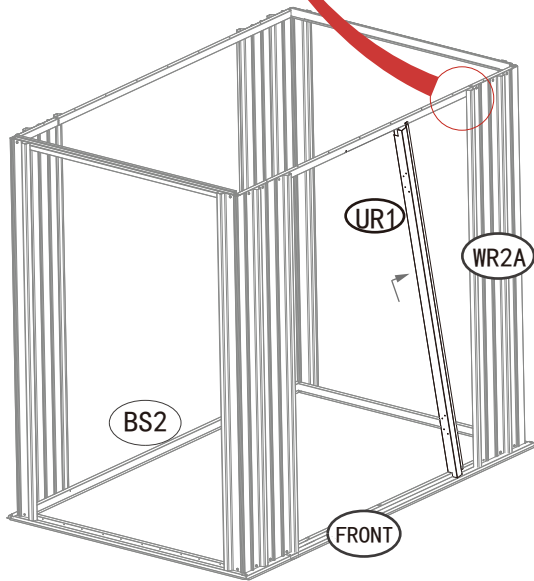


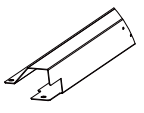
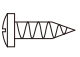


UF1

1 PC
F1

2 PC
V2

2 PC

Step 14

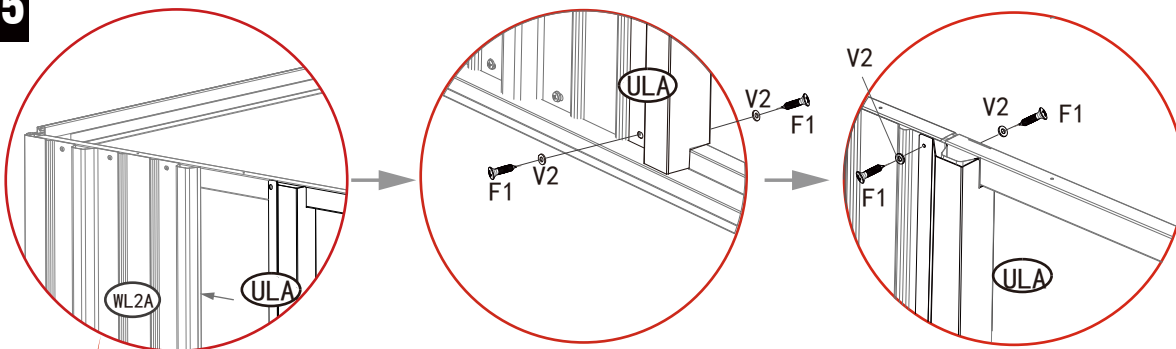


Use some force to make [UR1] fit [WR2A] completely.

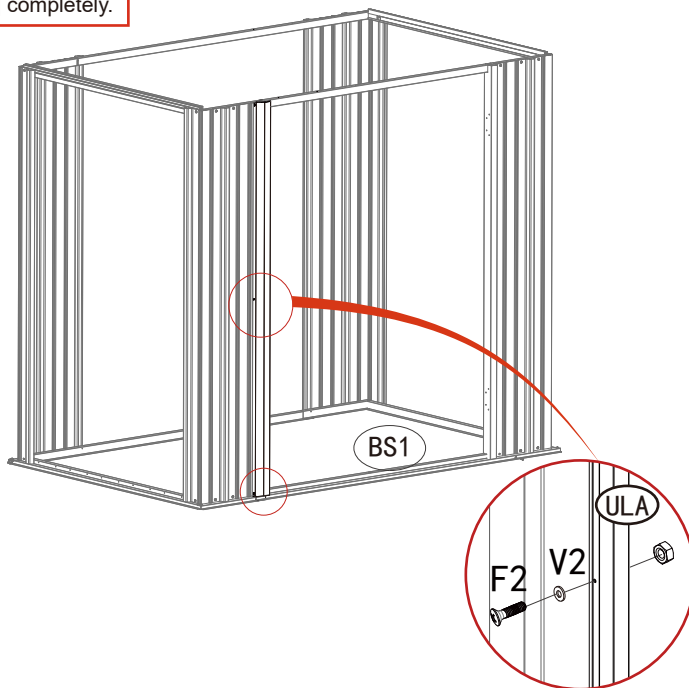
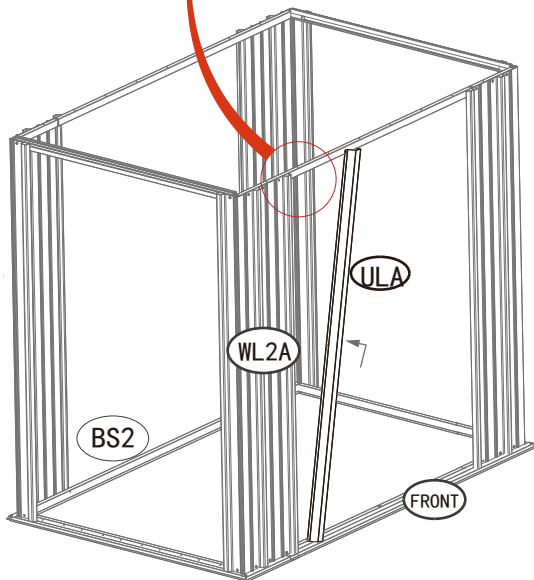


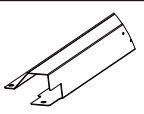
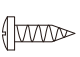


UR1

1 PC
F1

4 PC
F2

1 PC
V2

5 PC

Step 15

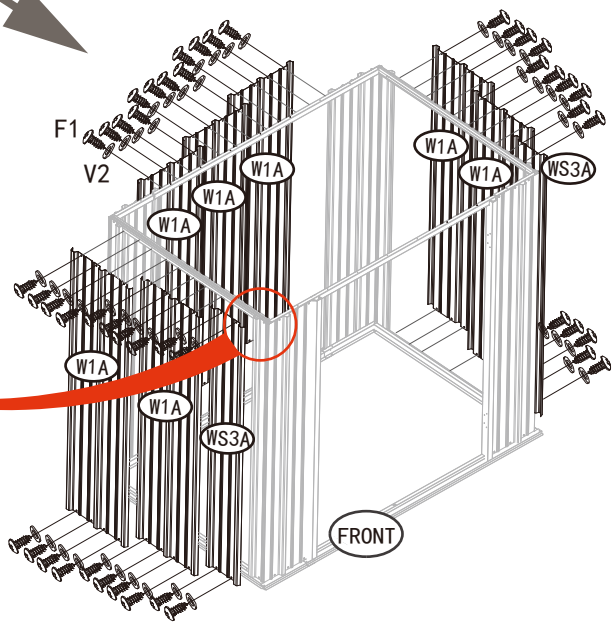
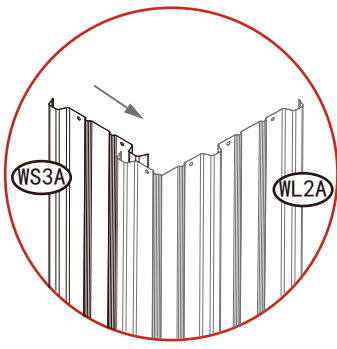
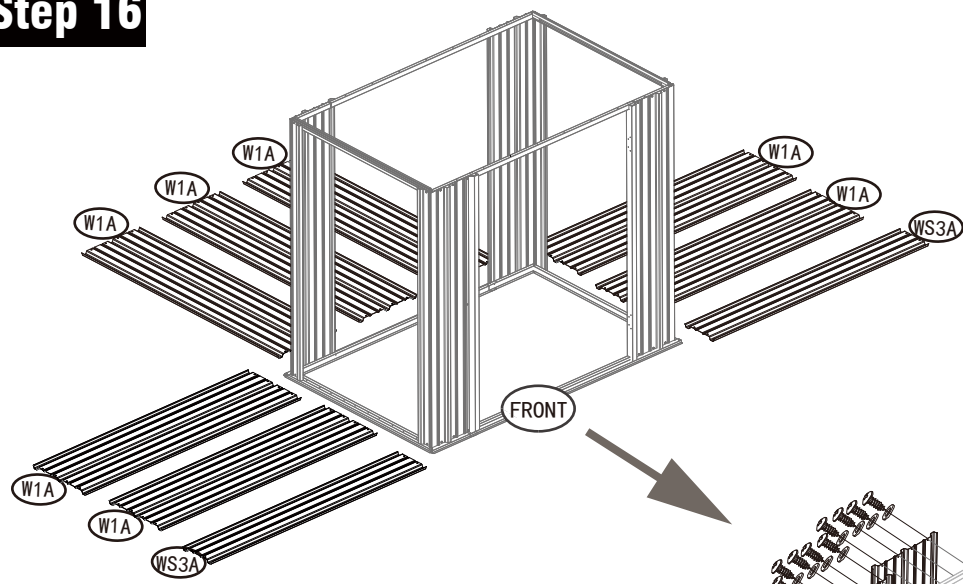


Use some force to make [ULA] fit [WL2A] completely.



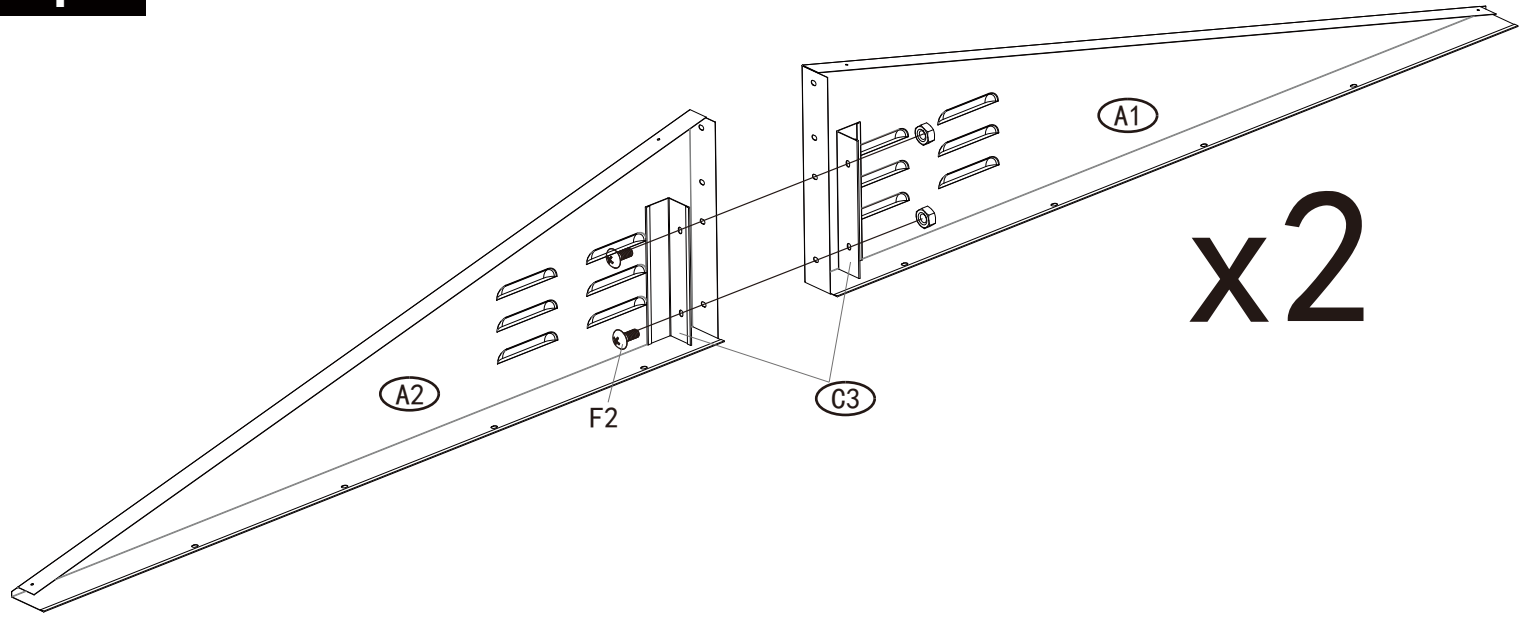
ULA

1 PC
F1

4 PC
F2

1 PC
V2

5 PC

Step 16



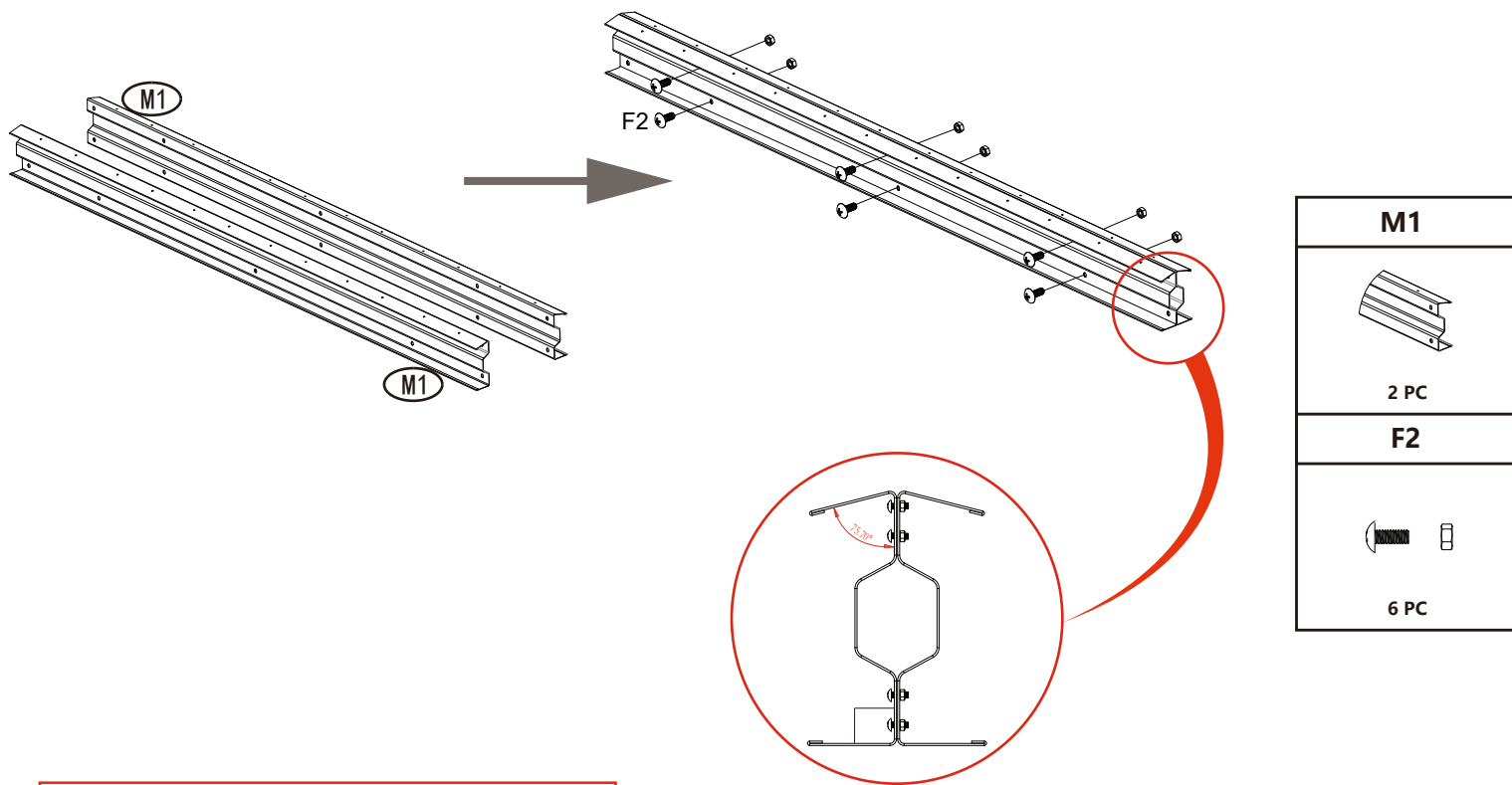
W1A
7 PC
WS3A
2 PC
F1
64 PC
V2
64 PC

Step 17



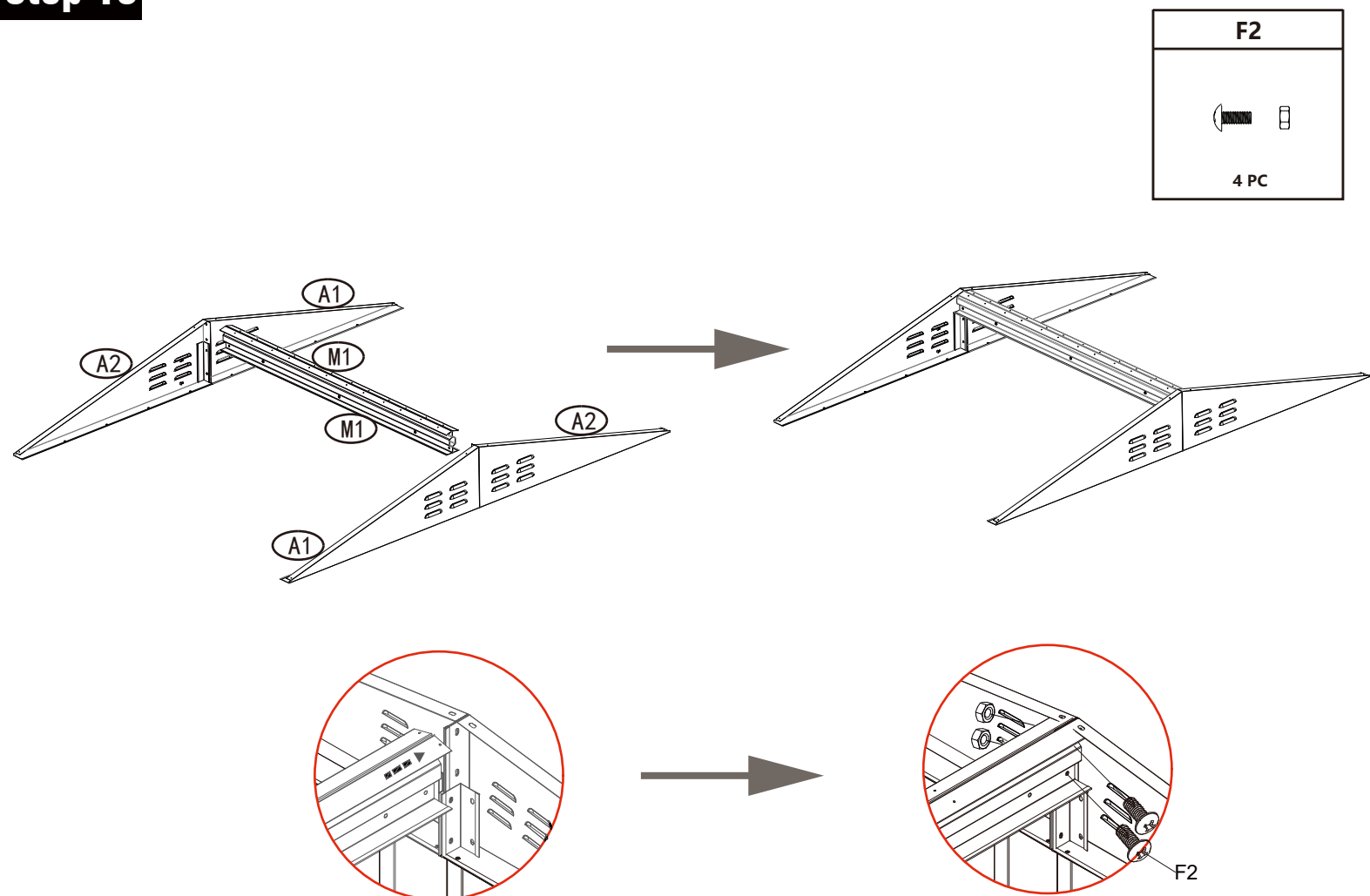
A1	A2	C3	F2
2 PC	2 PC	4 PC	4 PC

Step 18

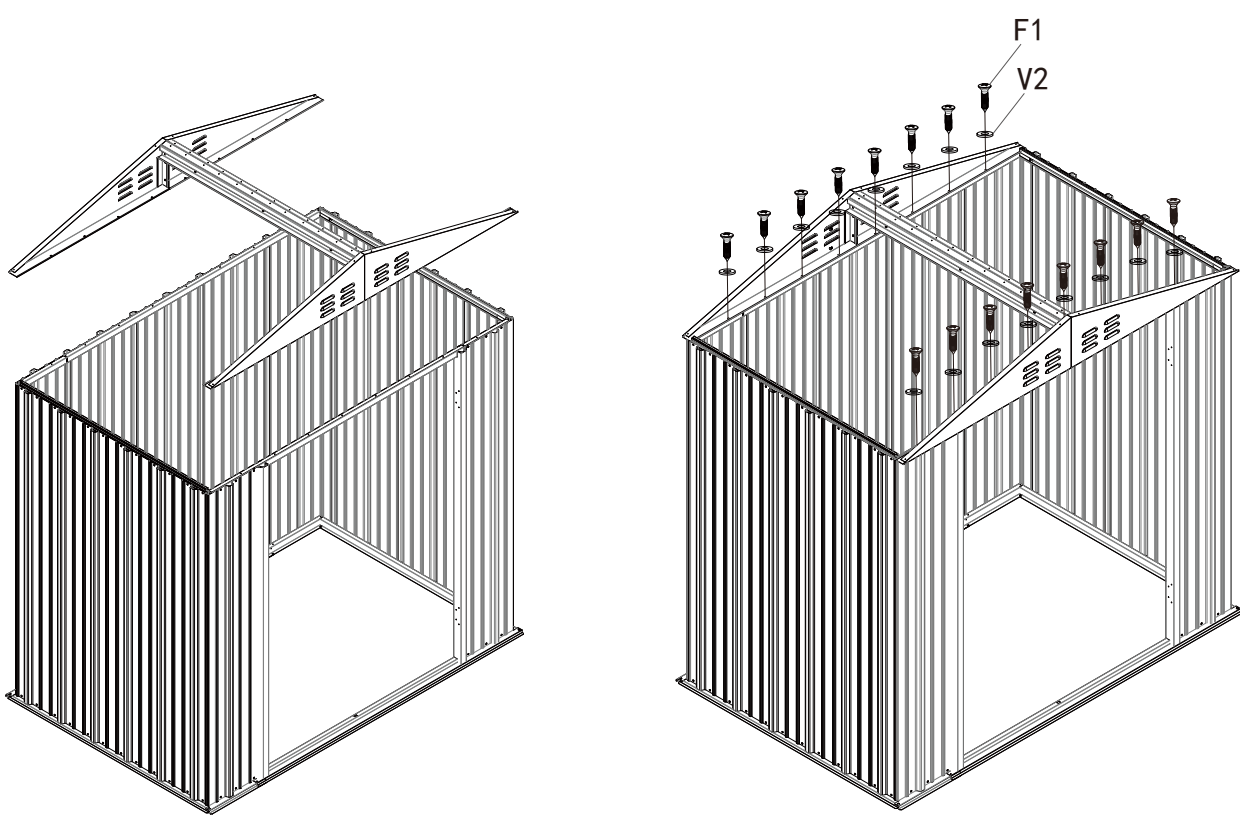




Cross - sectional view: Please place M1 beveled side up.

Step 19



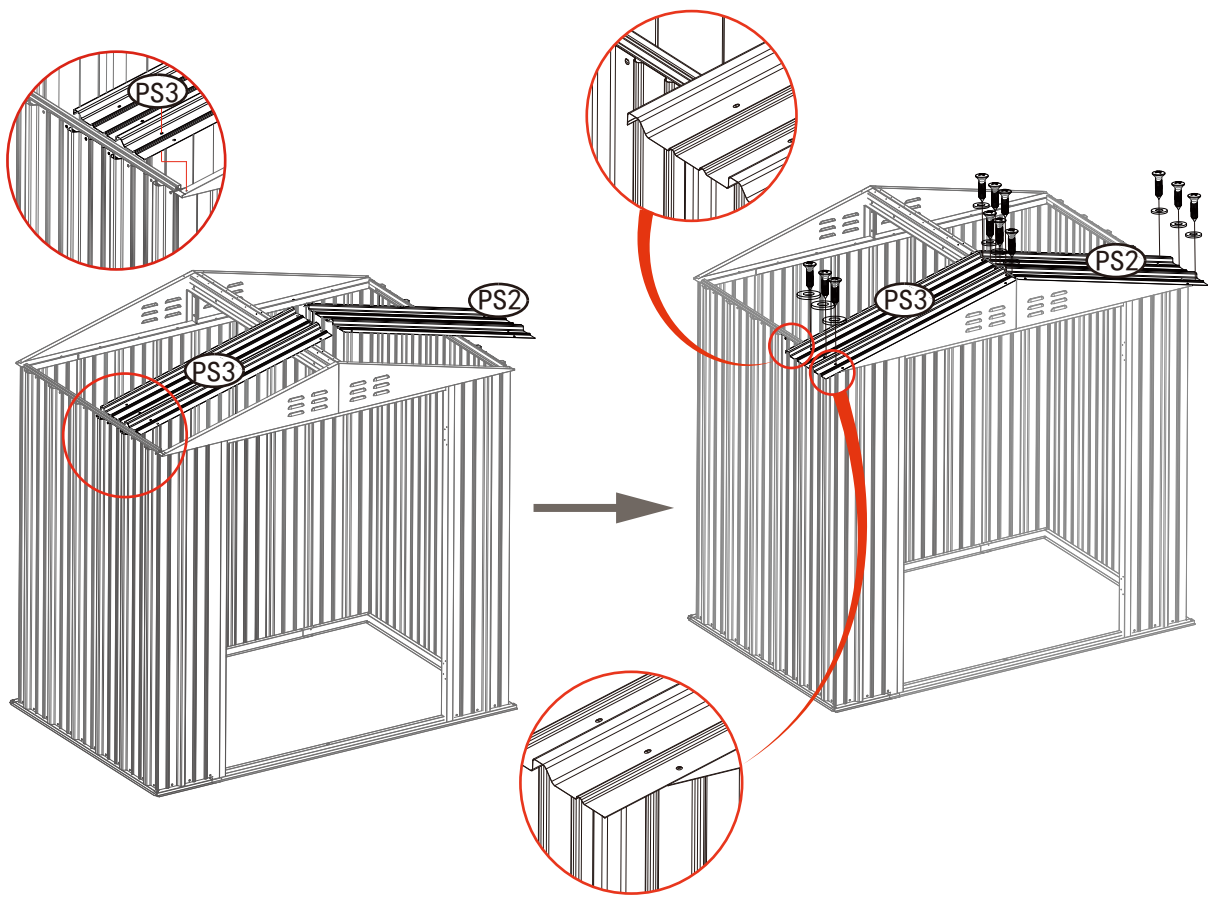
Step 20







F1

16 PC
V2

16 PC

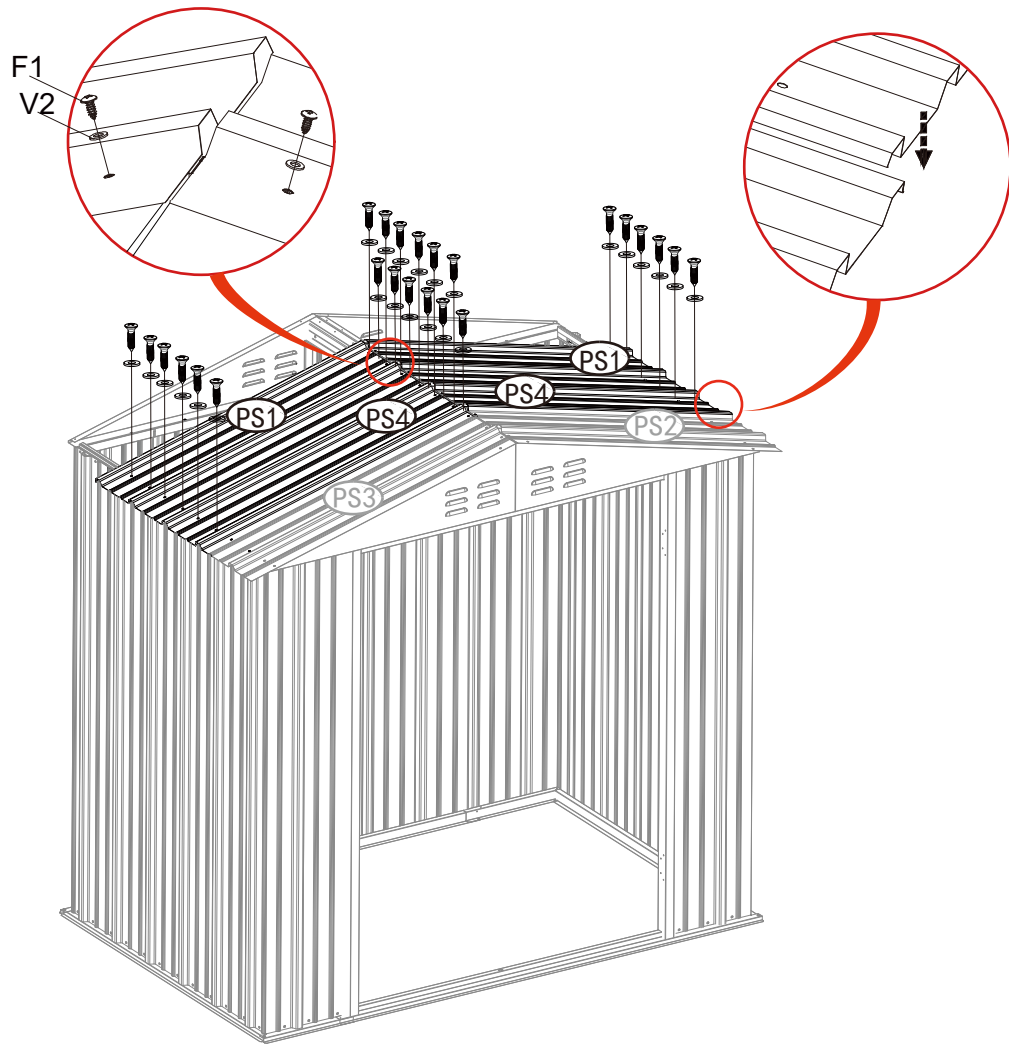
Step 21


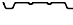


Note: It's different between both sides of [PS3] and [PS2]. The flat side faces outside.



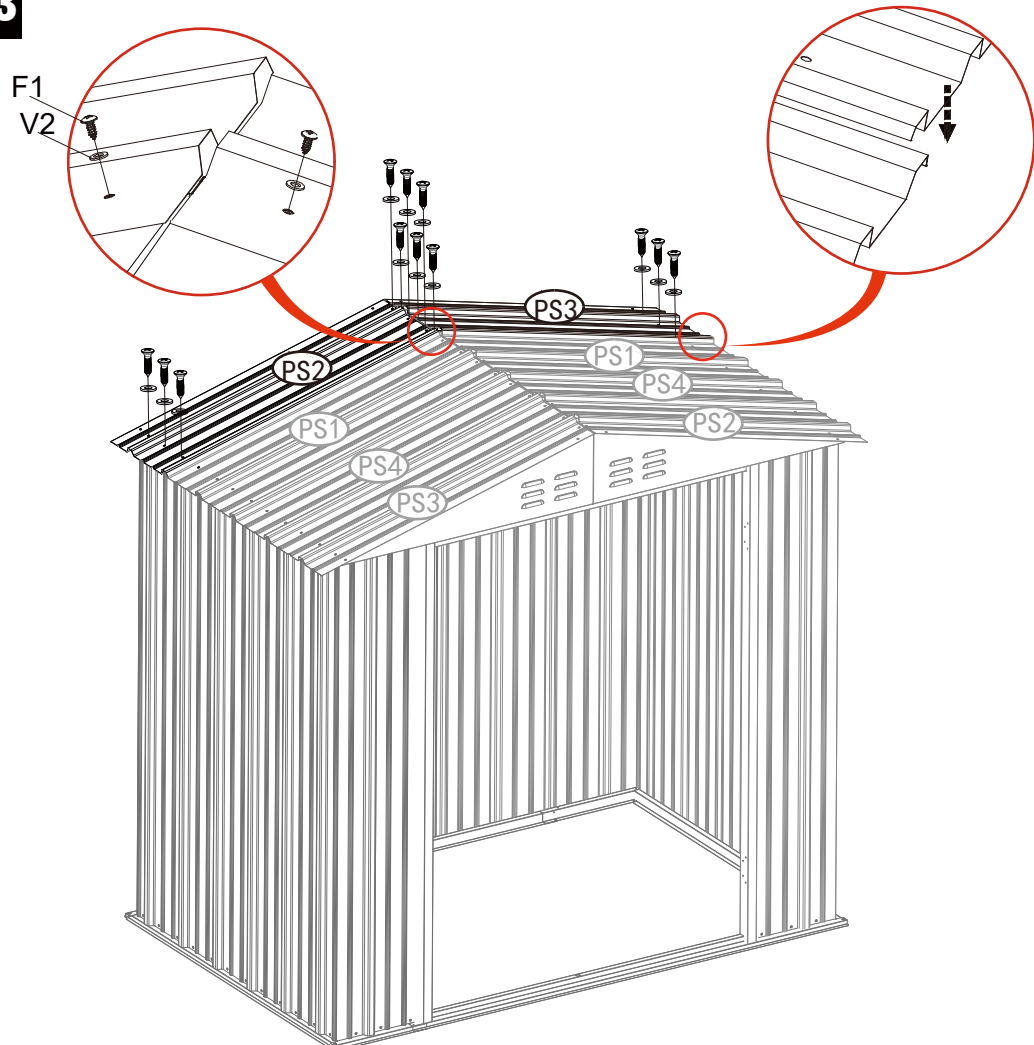
PS2

1 PC
PS3

1 PC
F1

12 PC
V2

12 PC





Step 22



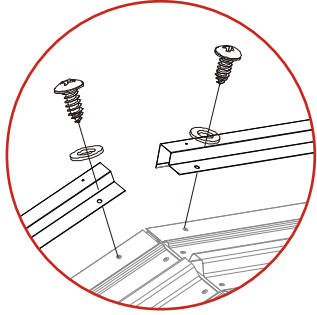
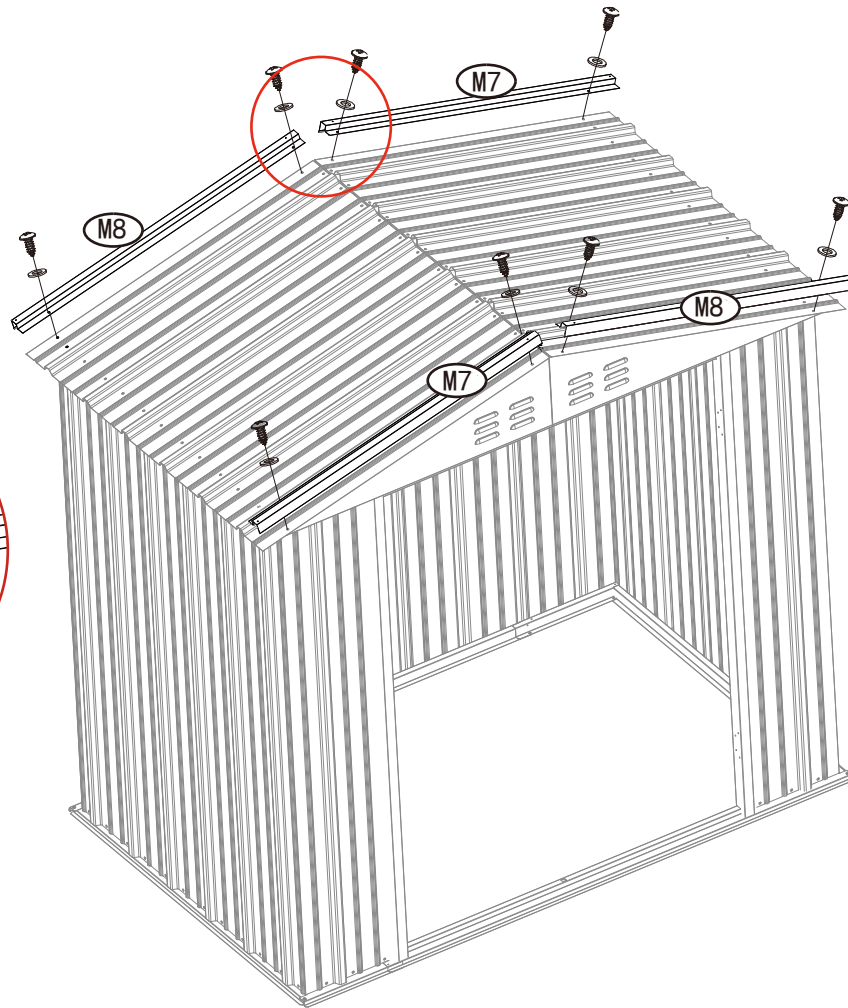
PS4

2 PC
PS1

2 PC
F1

24 PC
V2

24 PC

Step 23



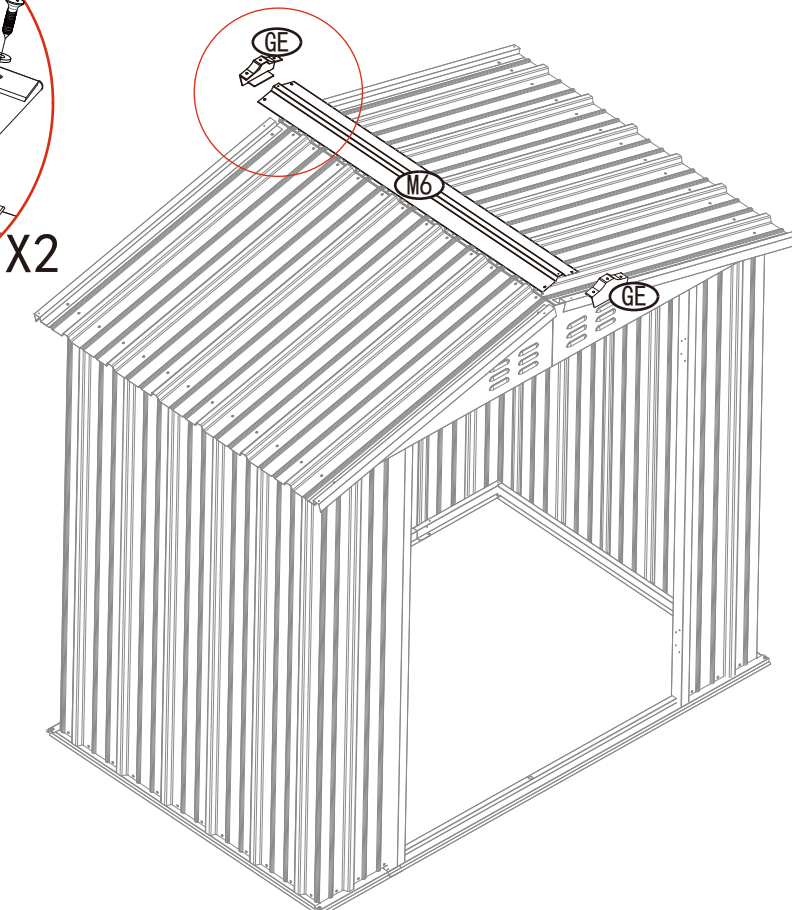
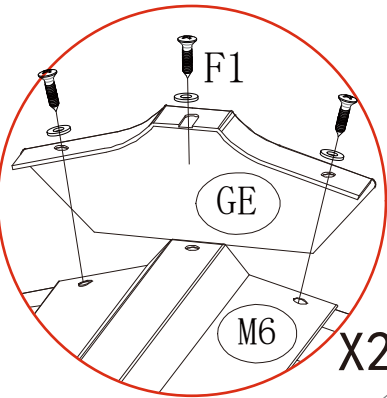
PS2

1 PC
PS3

1 PC
F1

12 PC
V2

12 PC

Step 24



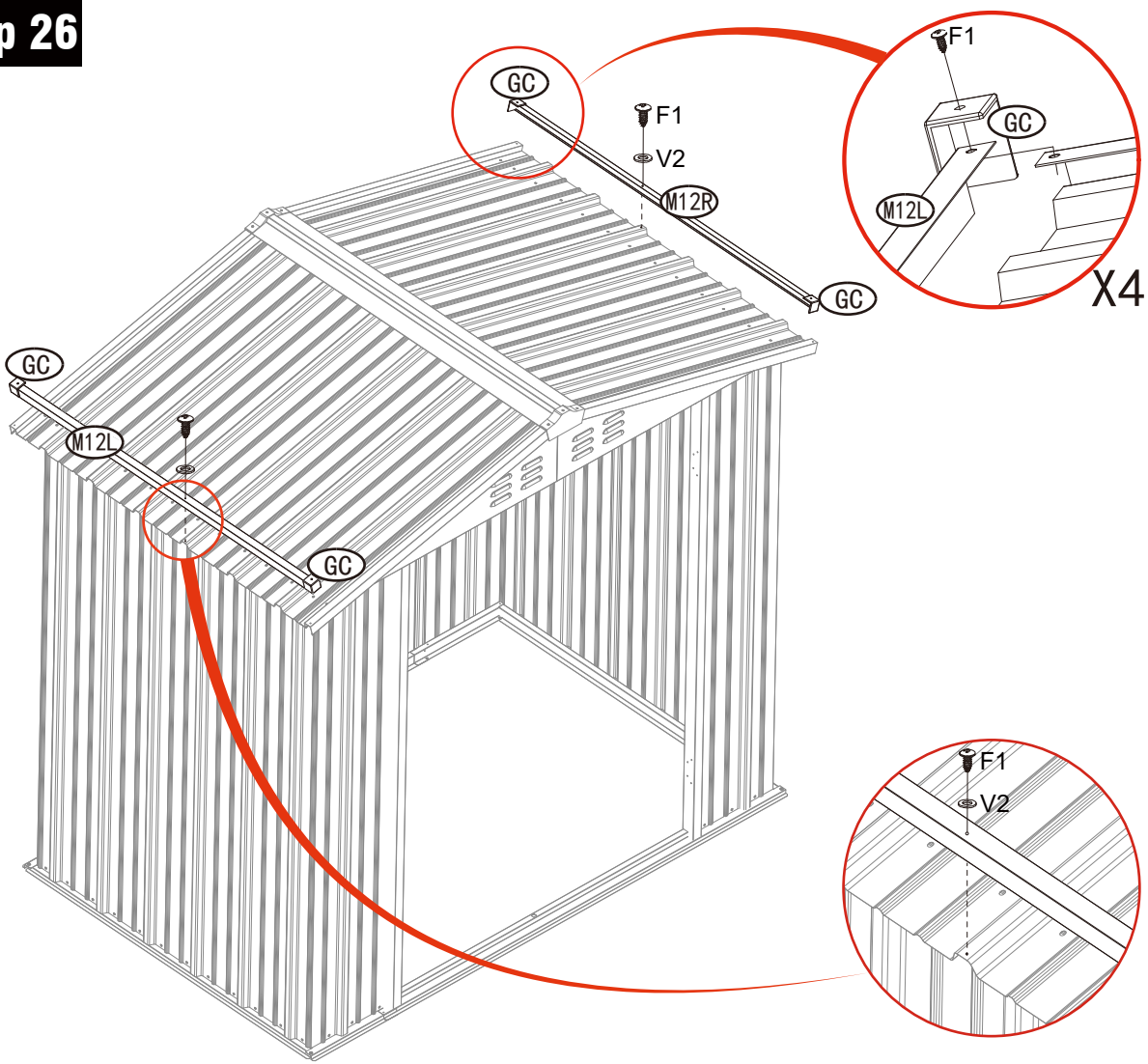
M7
2 PC
M8
2 PC
F1
8 PC
V2
8 PC

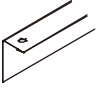
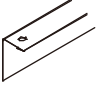



Step 25



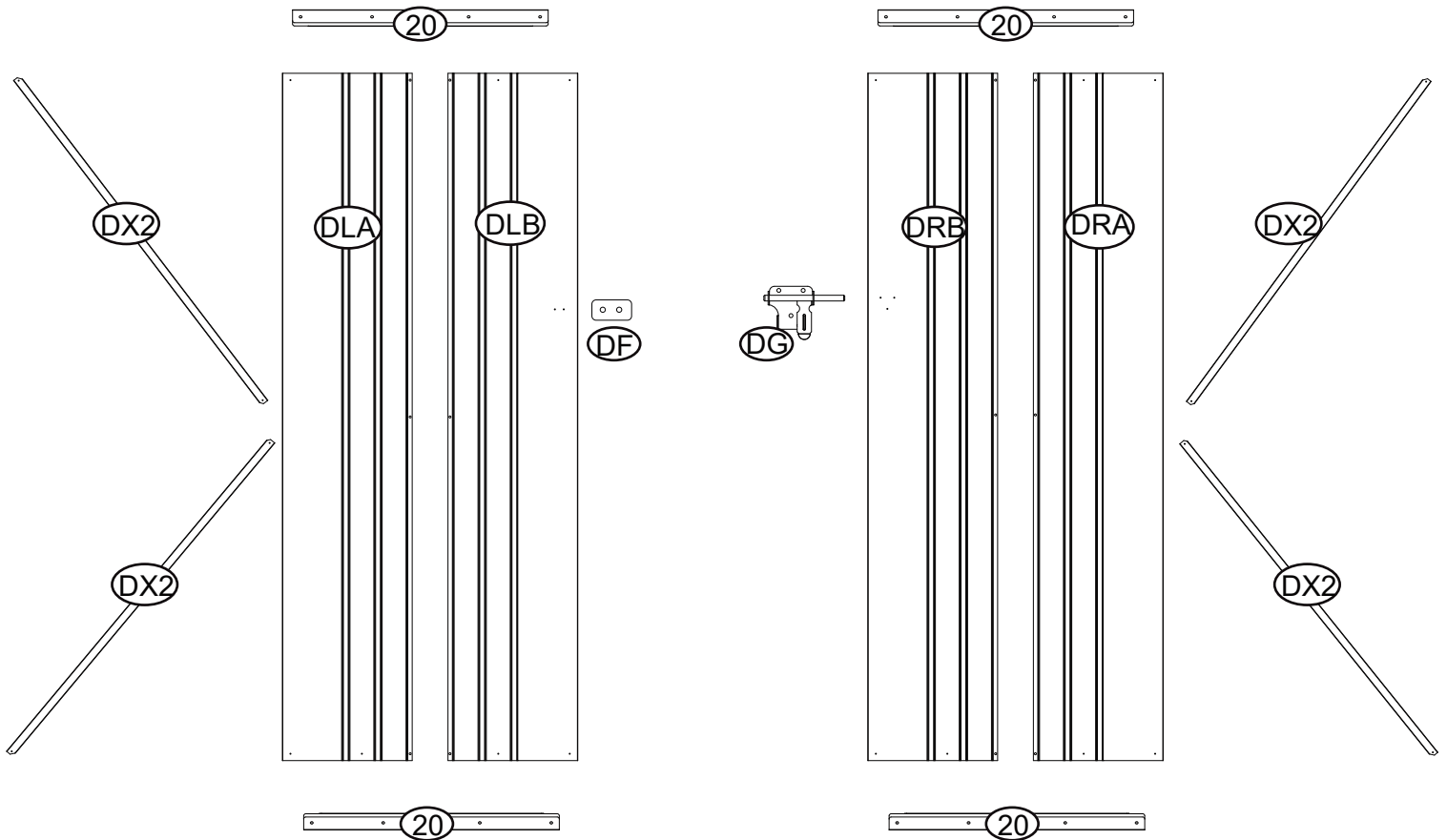
GE
2 PC
M6
1 PC
F1
6 PC
V2
6 PC

Step 26



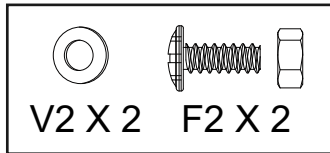
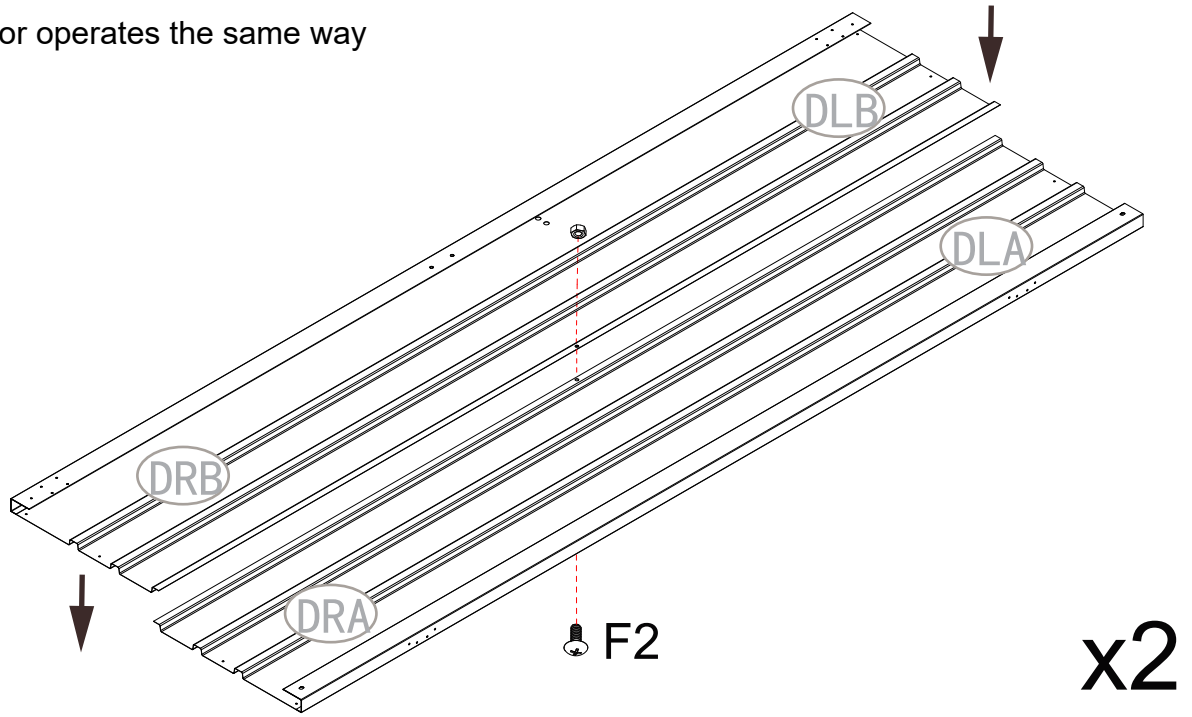
M12L
 1 PC
M12R
 1 PC
GC
 4 PC
F1
 6 PC
V2
 6 PC

Step 27

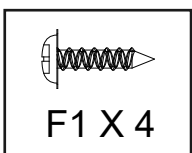
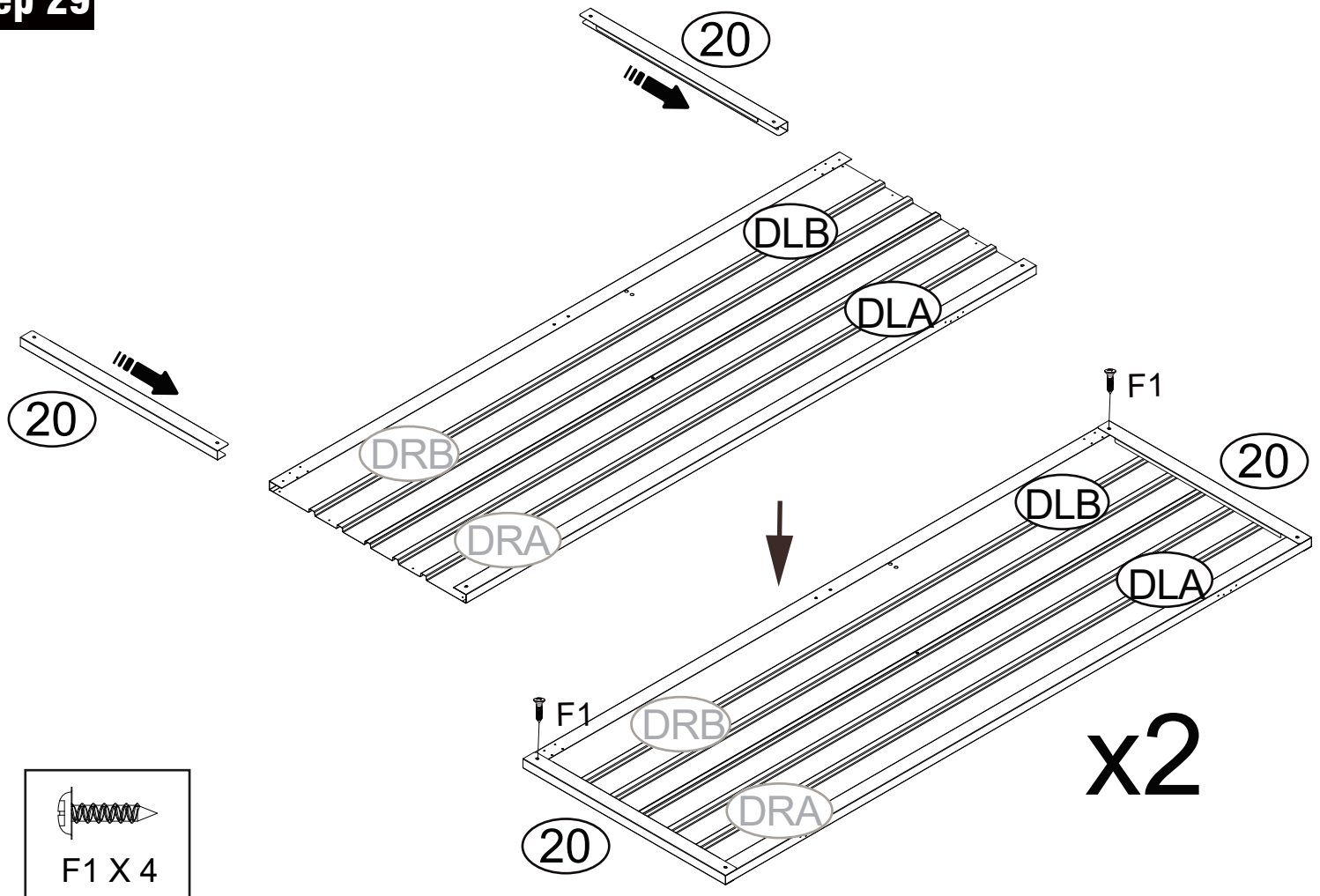


Step 28

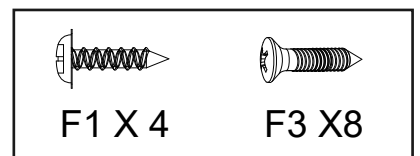
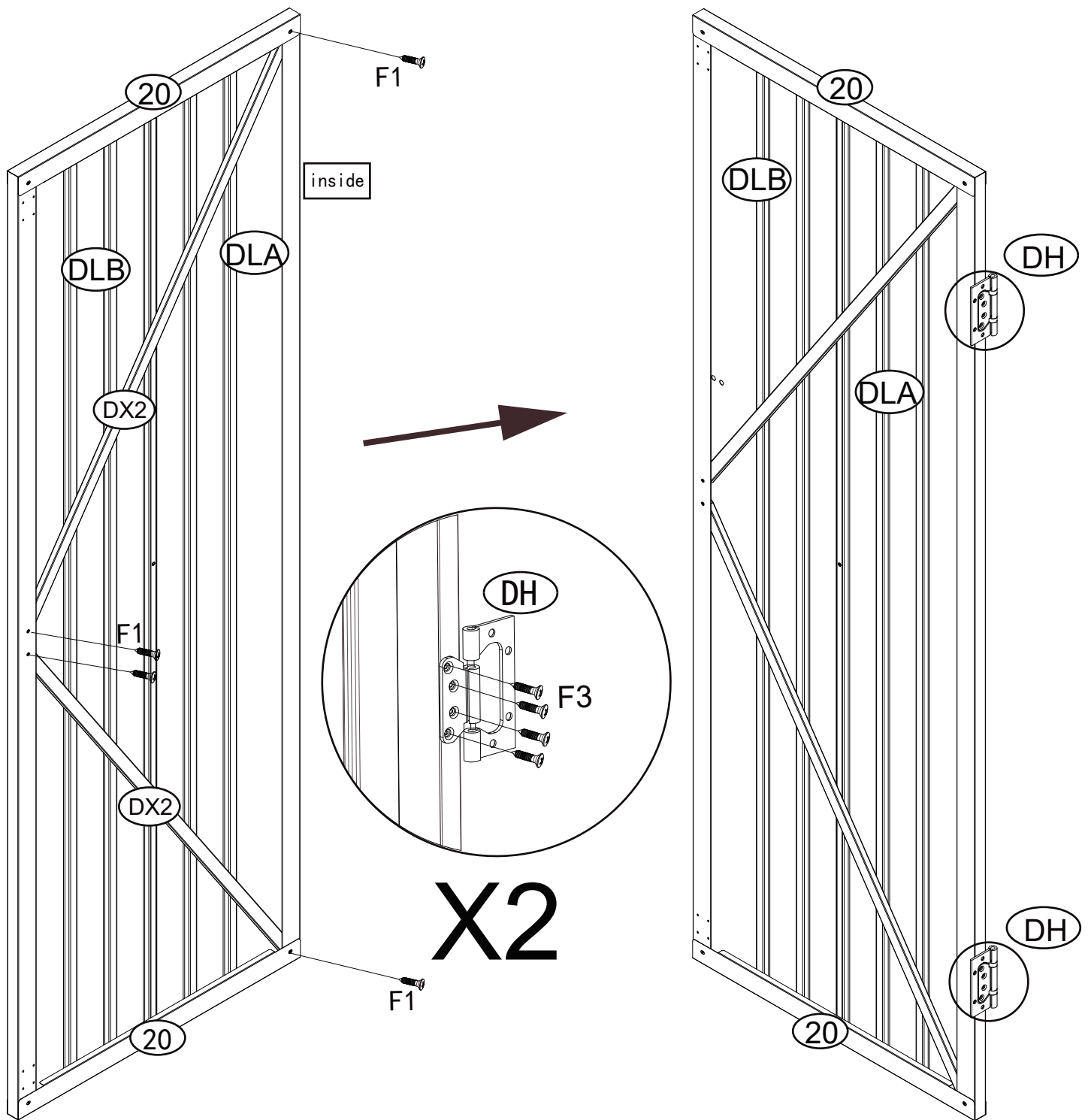
The other door operates the same way



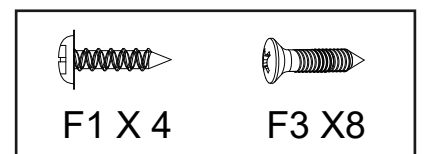
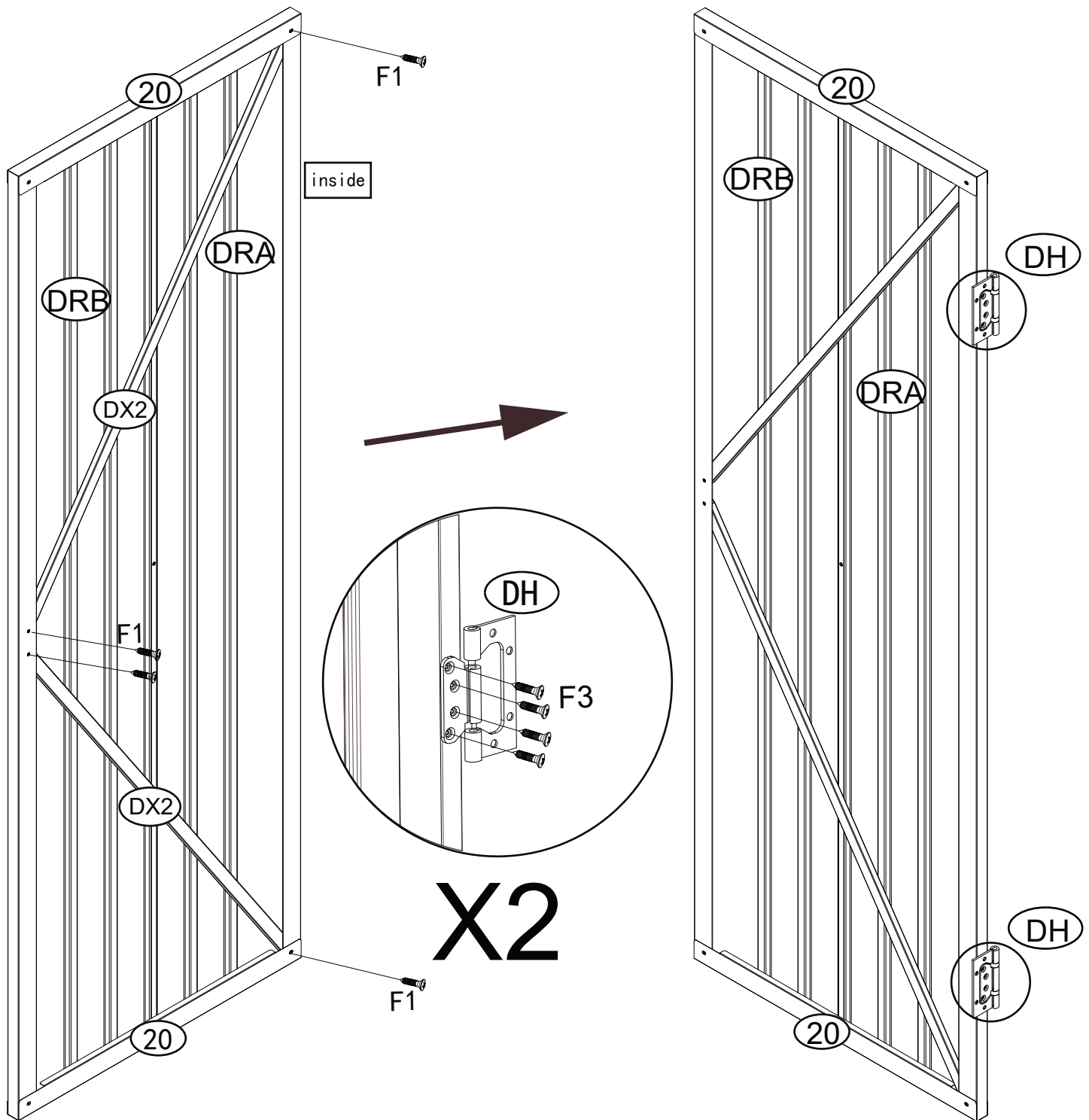
Step 29



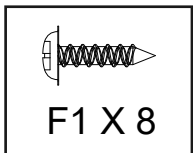
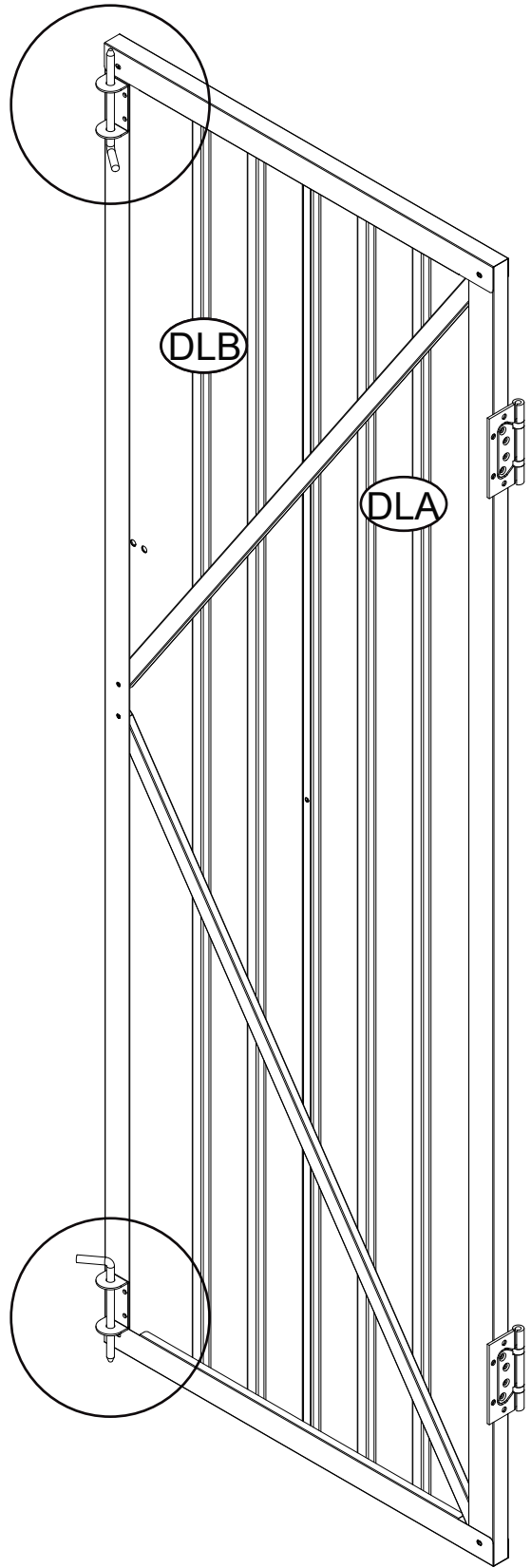
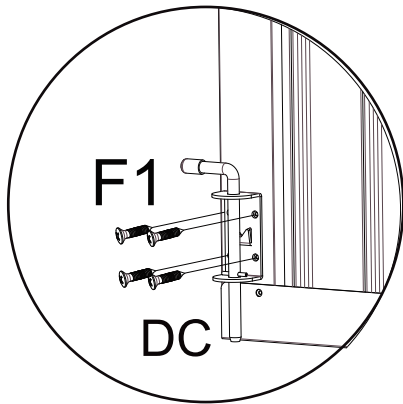
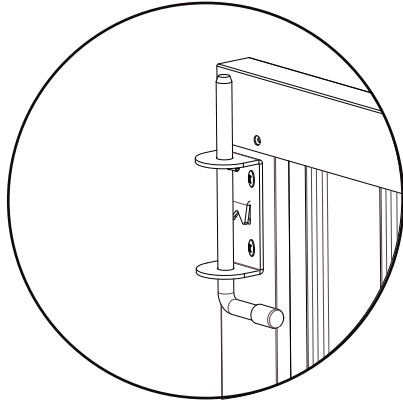
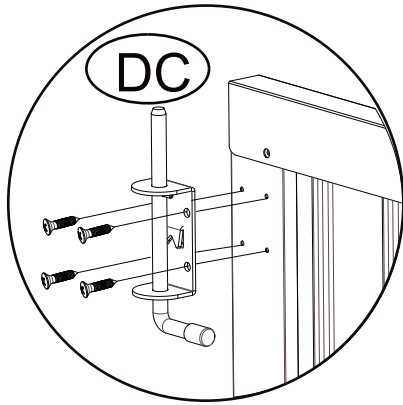
Step 30



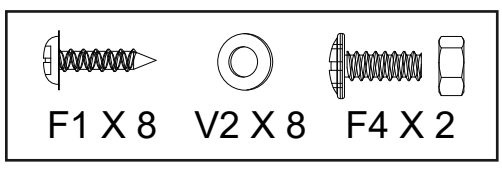
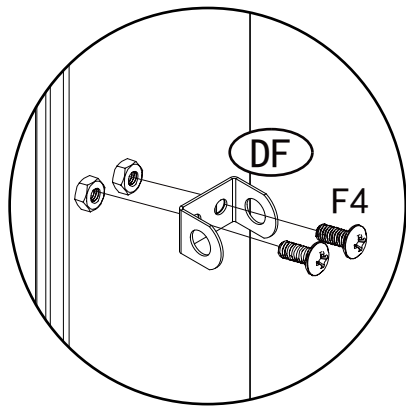
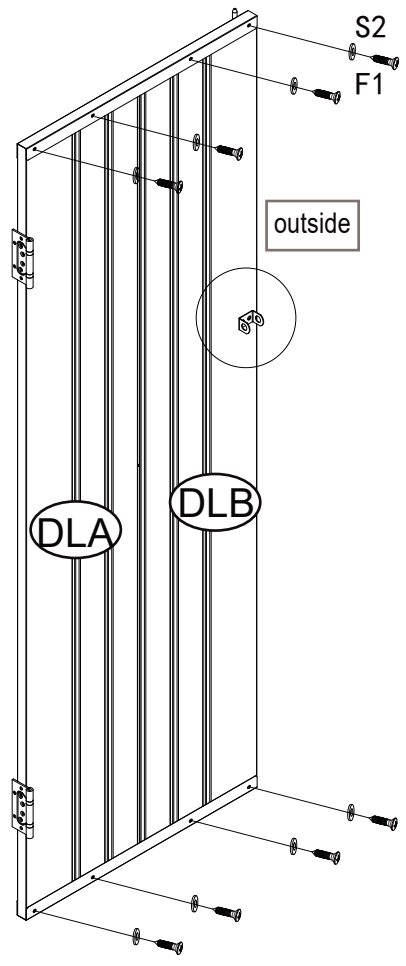
Step 31



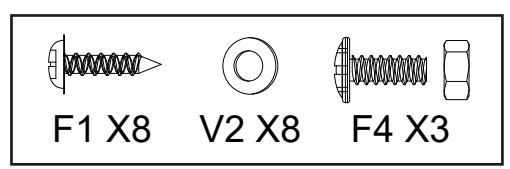
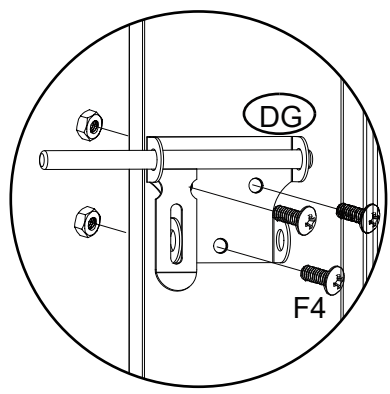
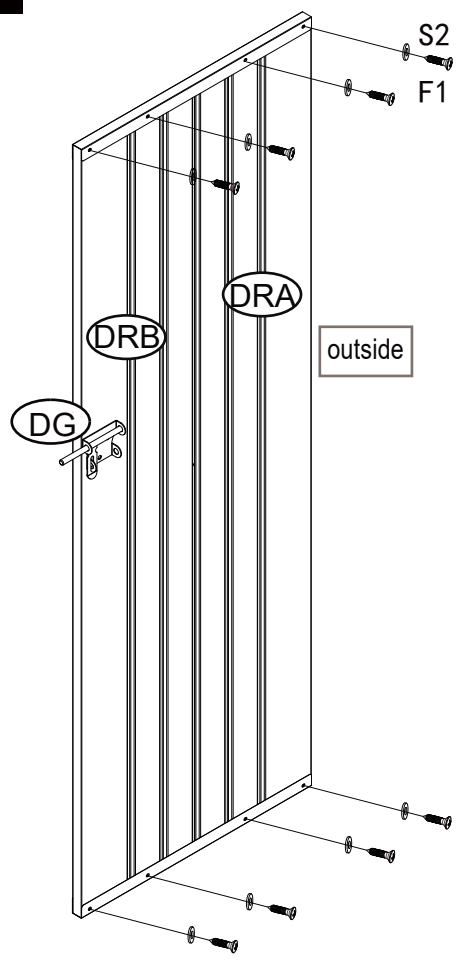
Step 32



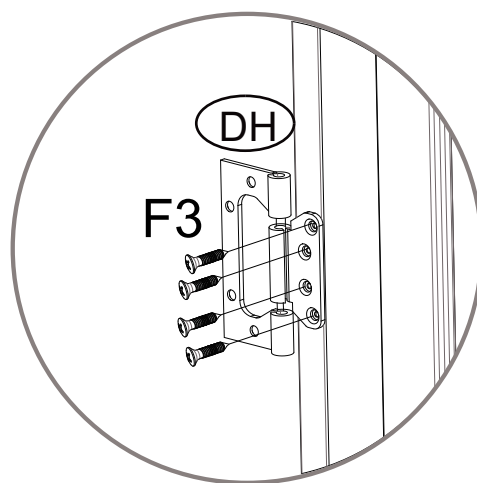
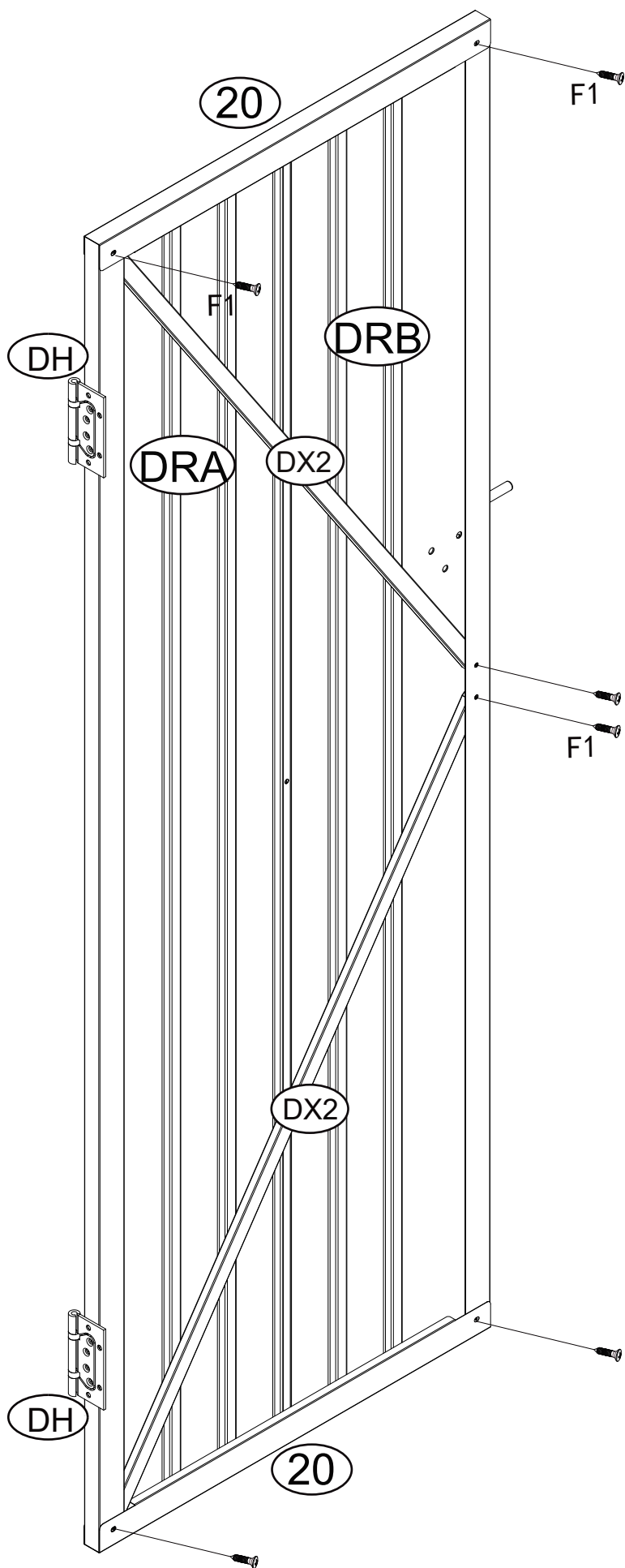
Step 33



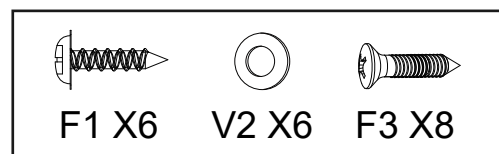
Step 34






Step 35

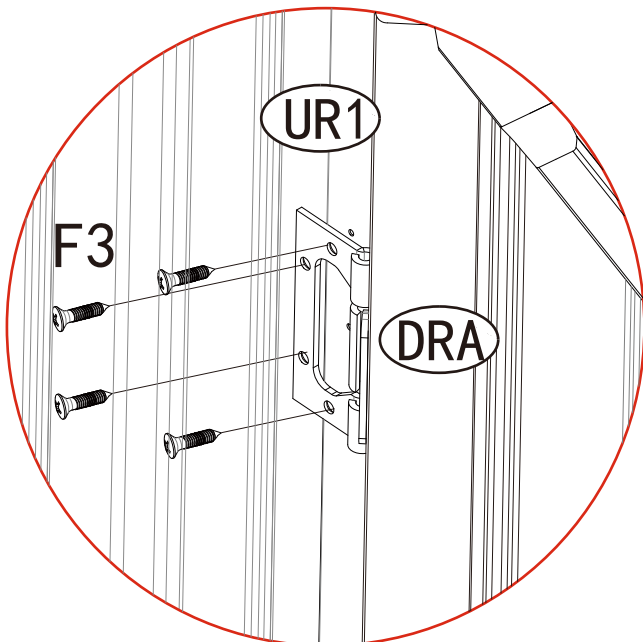


X2



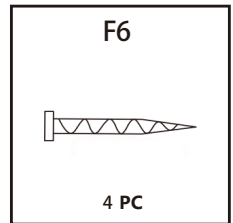
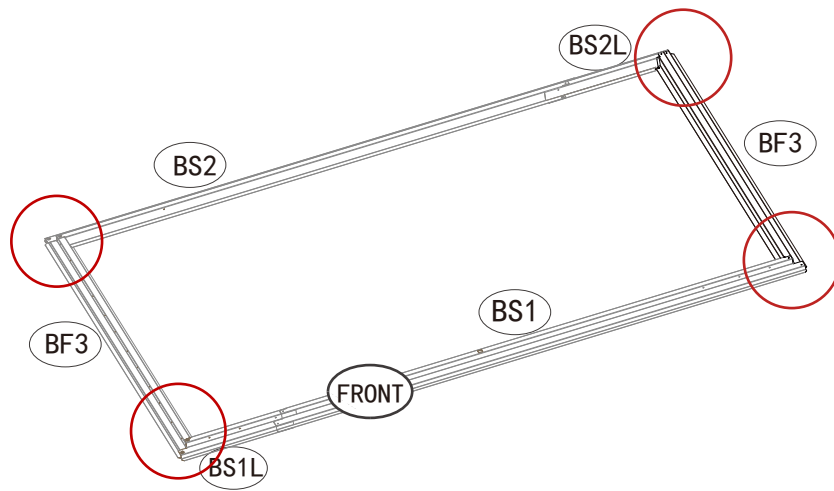
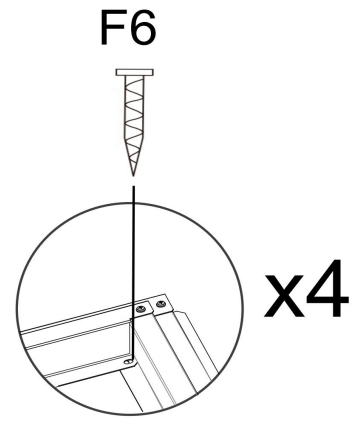
Step 36

DRA	DLA	F3
		
1 PC	1 PC	16 PC

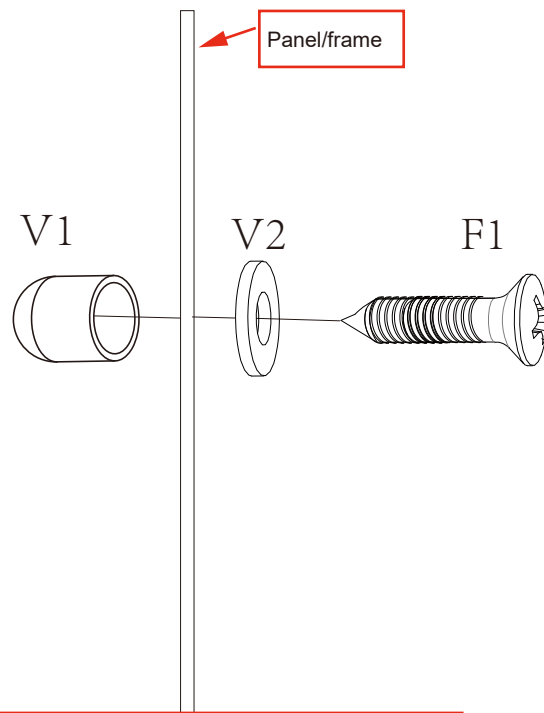


X4

Step 37



Step 38



Panel/frame

V1

V2

F1

V1
50 PC

After completing the installation, cover the protruding screw tips with [V1] to prevent injury.

