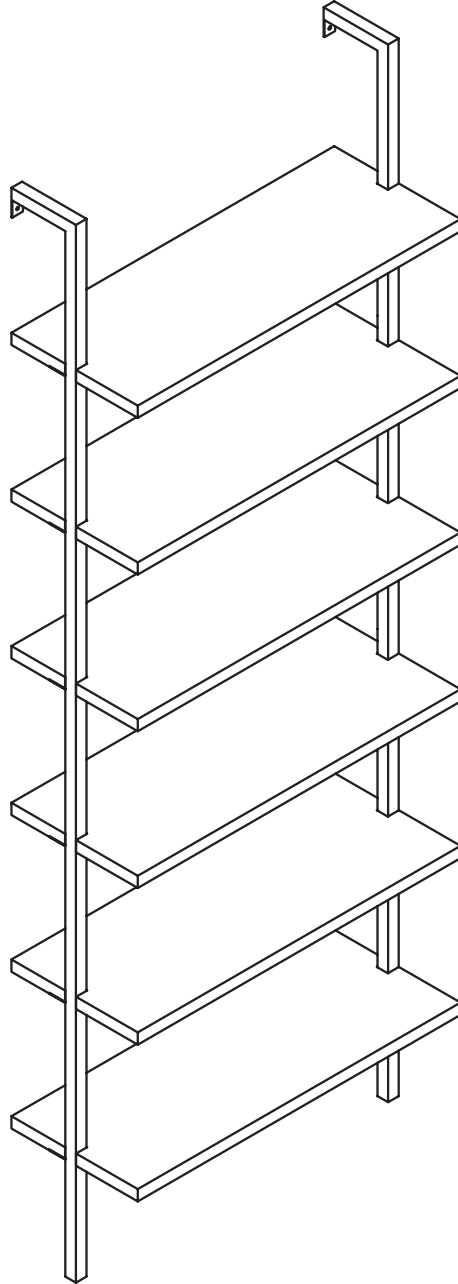


Let's build the

Theo Bookcase

SKU 65605



Scan me!

Inspiration
Digital Instructions
Free Lifetime Warranty

nathan james

23-0509

Ok, let's get rolling

This should be easy, just follow our instructions and you will be back to Netflix in no time.

Estimated time for assembly



40:00

What you need

- Some of your favourite bubbly or your preferred relaxant
- Use the packaging carton as a working surface to prevent product damage during assembly
- Phillips head screwdriver (not included)
- Drill (not included)
- 1/4" Drill bit (not included)
- 5/16" Drill bit (not included)

Weight Limitation



55
lbs per shelf

Toll-free at 1-866-619-1004
Help@nathanjames.com
Nathanjames.com/help

What's included

Description	Qty
A Shelves	6
B Side Upper Support	2
C Side Middle Support	2
D Side Lower Support	2
1 M6*15mm Bolt	16
2 M4.2*32mm Screw for Non-drywall Anchor	2
3 Allen Key	1
4 M6*30mm Non-drywall Anchor	2
5 Drywall Anchor	2
6 M4.2*50mm Screw for Drywall Anchor	2

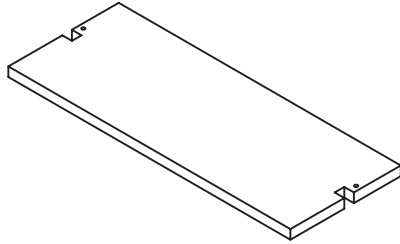
Scan me!

Inspiration
Digital Instructions
Free Lifetime Warranty

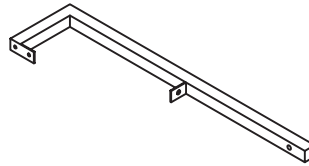


The goods

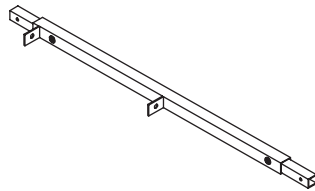
A



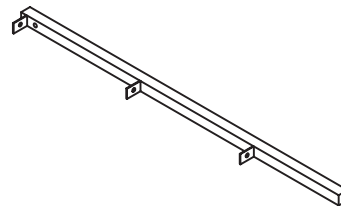
B



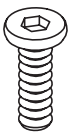
C



D



1



2



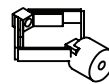
3



4



5



6



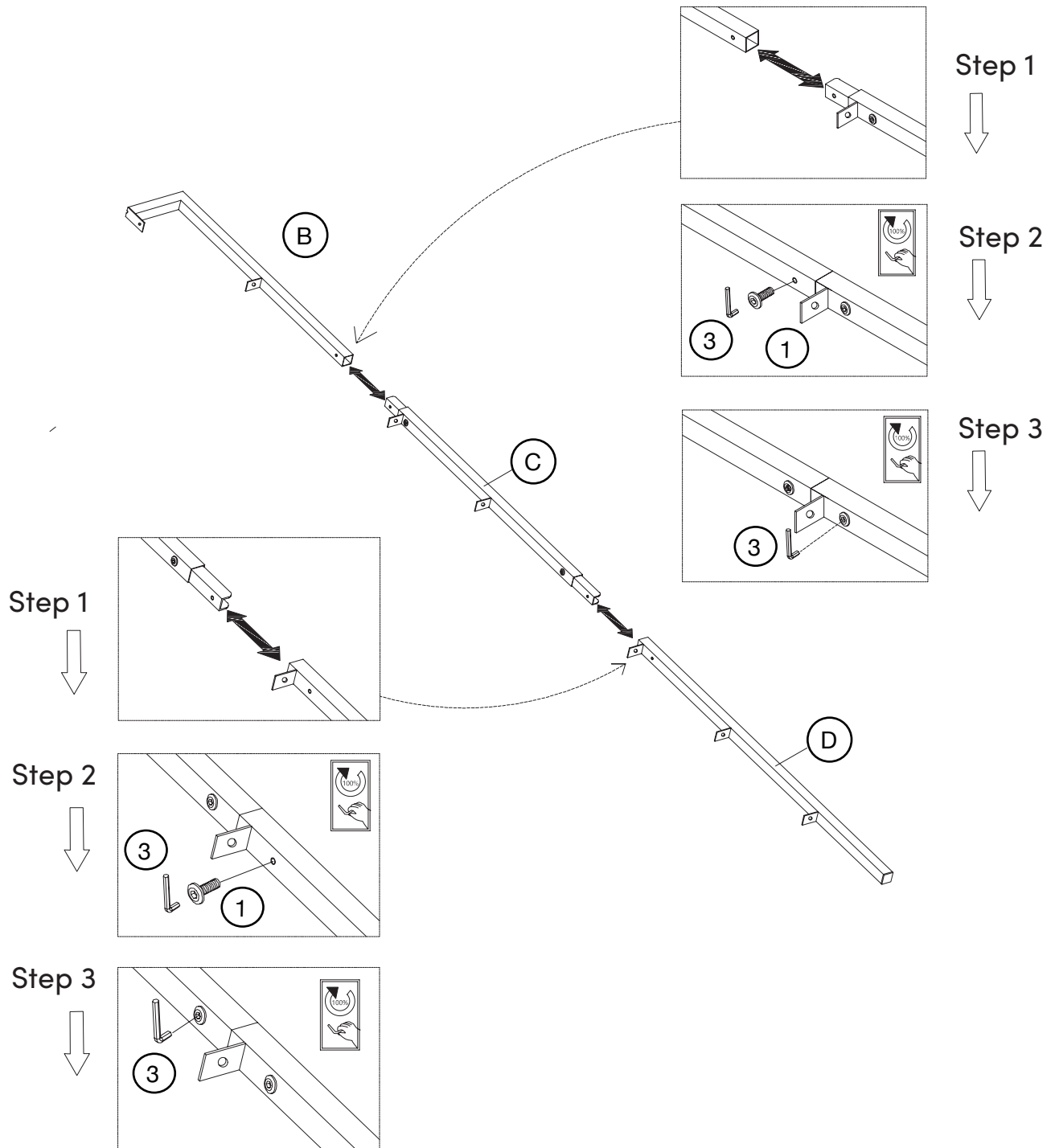
IMPORTANT

1. Do not tighten bolts / screws completely until all bolts / screws are lined up and inserted into holes.
2. Do not over tighten screws and bolts to avoid stripping.
3. Please use hand tools to assemble this product. Do not use power tools.



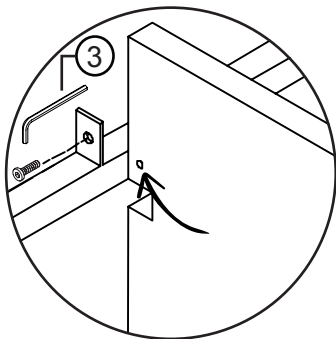
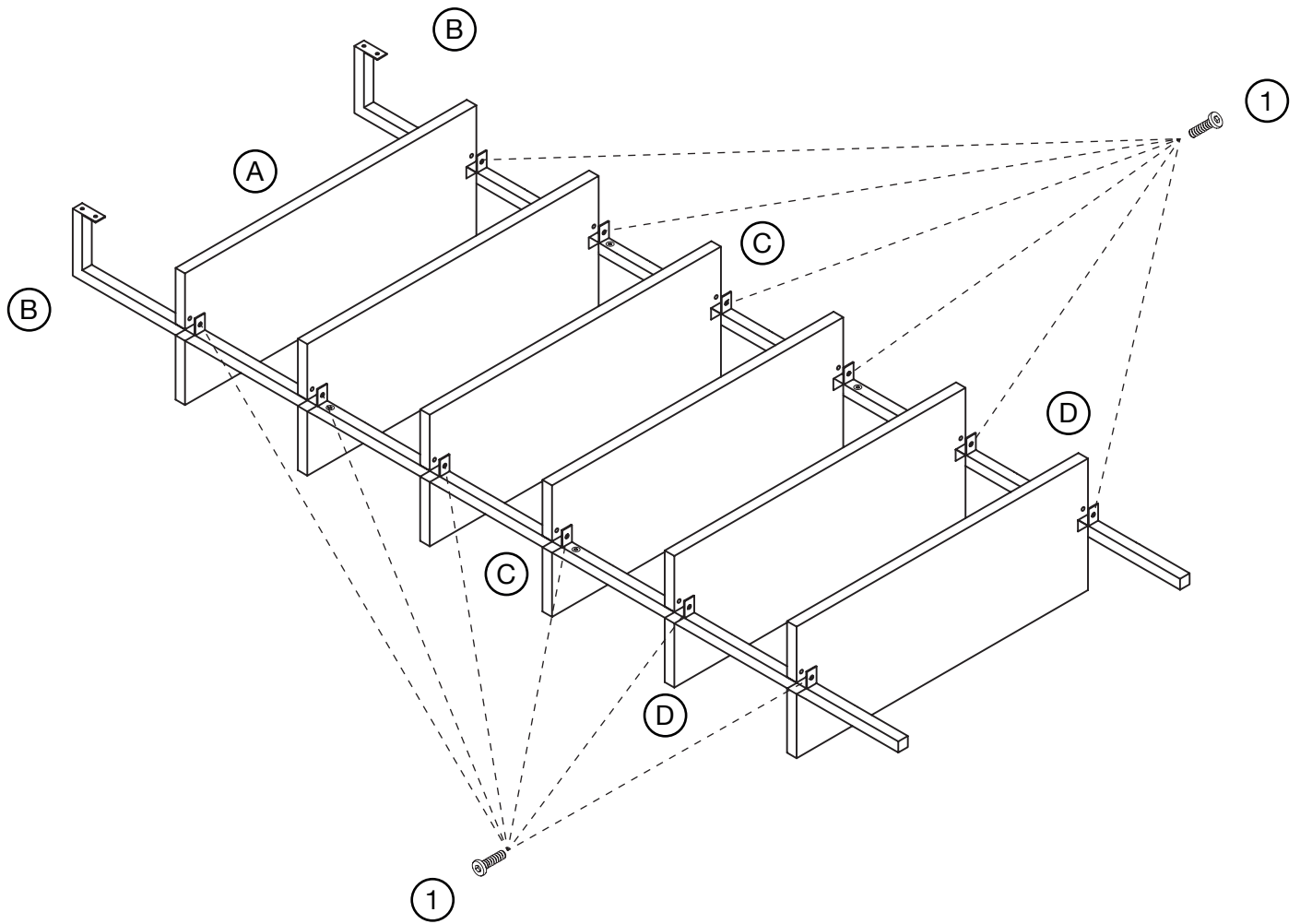
Step 1

Let's get this thing fired up! Start by attaching the metal connectors to the support pieces.



Step 2

Place the top shelf first, then the last shelf. This way it will balance easier for you.



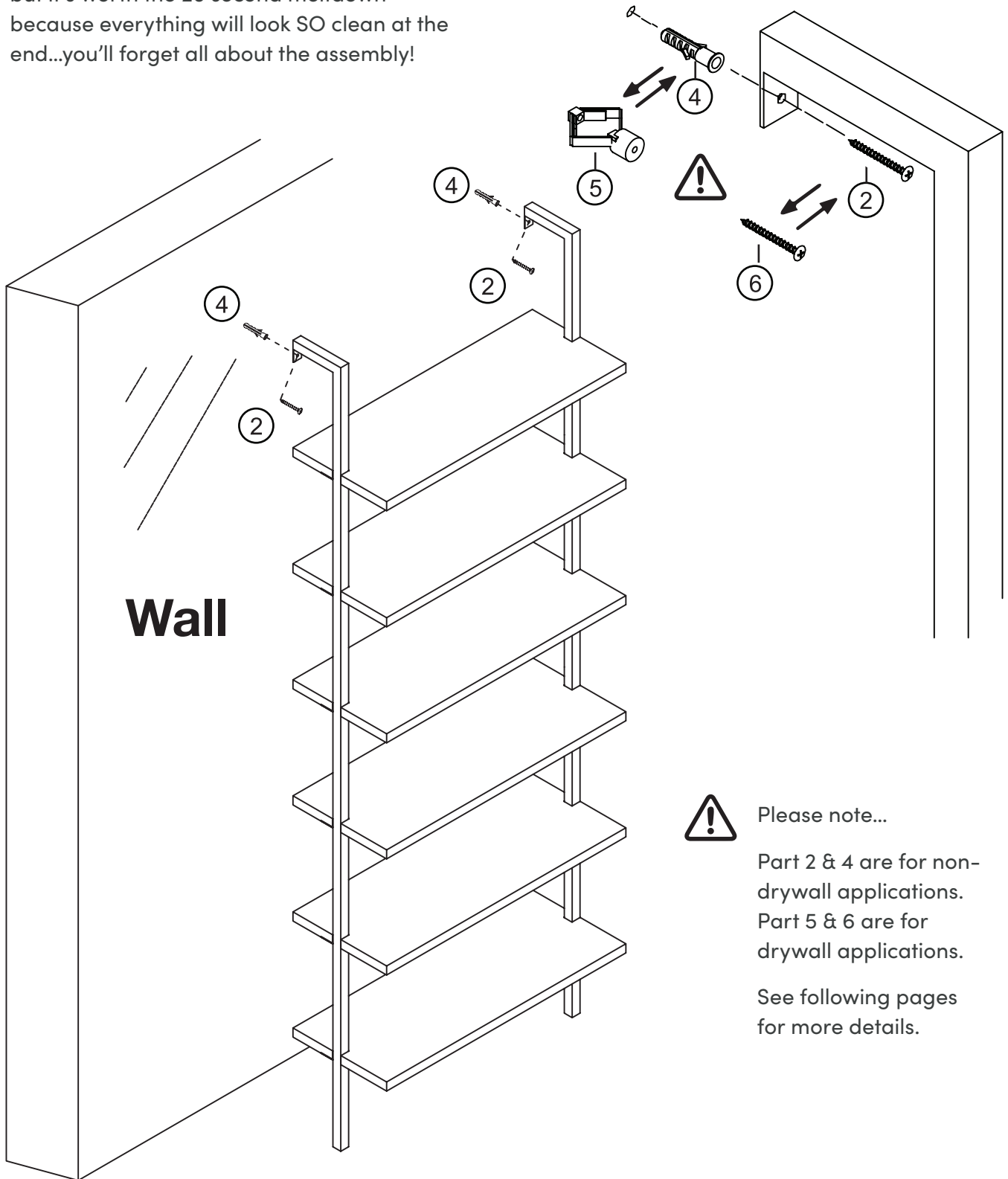
Tip from one friend to another:

Ensure the hole in the book shelves are lined up correctly with bookcase supports before placing all the shelves, then secure with allen wrench.



Step 3

At one point, you may find the last step tricky but it's worth the 20 second meltdown—because everything will look SO clean at the end...you'll forget all about the assembly!



Please note...

Part 2 & 4 are for non-drywall applications.
Part 5 & 6 are for drywall applications.

See following pages for more details.

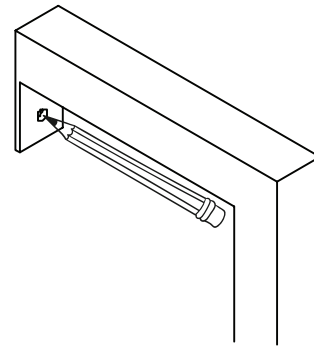


Step 3 (cont.)

Non-drywall application

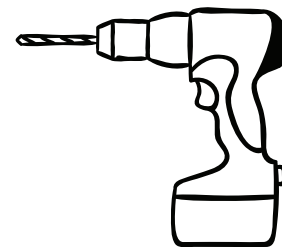
Mark it

Chose your desired location on the wall, have your friend hold the bookcase in place and use a pencil to mark where the anchor will go.



1/4" Drill bit

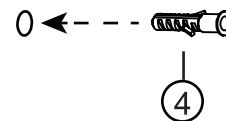
Move bookcase to the side and following the marks you just made, with a 1/4" drill bit, drill 2 holes into the wall.



Insert the anchors

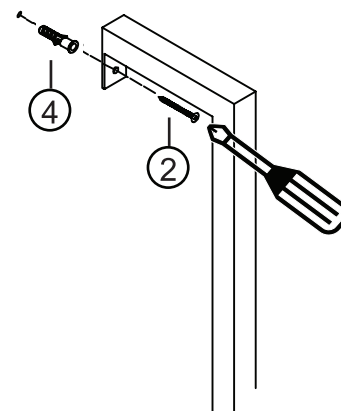
Go ahead and tap the wall anchors into place in the new holes that you just drilled.

If you're feeling strong, just go ahead and push it in.



All about the angle

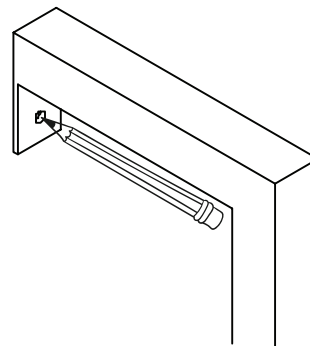
Insert 1 screw through each metal bracket and into the drywall anchor. Tilt your phillips head screwdriver, and secure but do not over tighten.



Step 3 (cont.) Drywall application

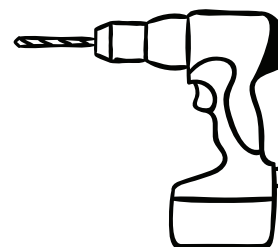
Mark it

Chose your desired location on the wall, have your friend hold the bookcase in place and use a pencil to mark where the anchor will go.



5/16" Drill bit

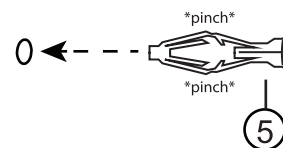
Move bookcase to the side and following the marks you just made, with a 5/16" drill bit, drill 2 holes into the wall.



Insert the anchors

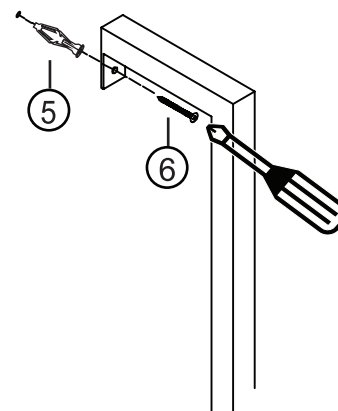
Go ahead and tap the wall anchors into place in the new holes that you just drilled.

If you're feeling strong, just go ahead and push it in.



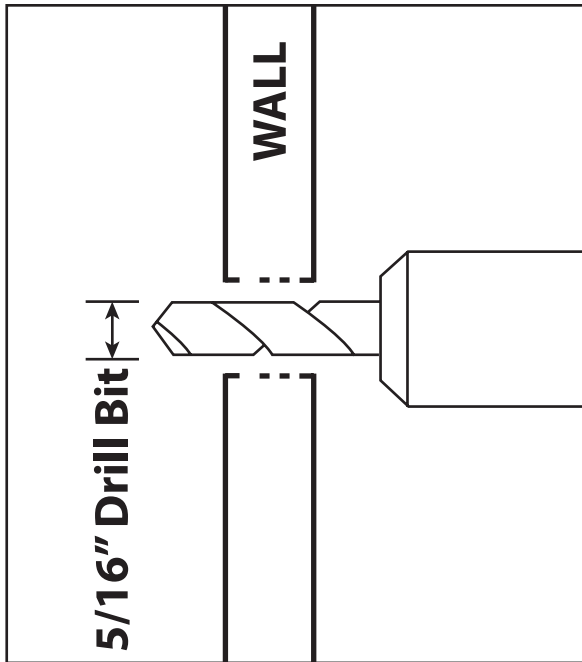
All about the angle

Insert 1 screw through each metal bracket and into the drywall anchor. Tilt your phillips head screwdriver, and secure but do not over tighten.

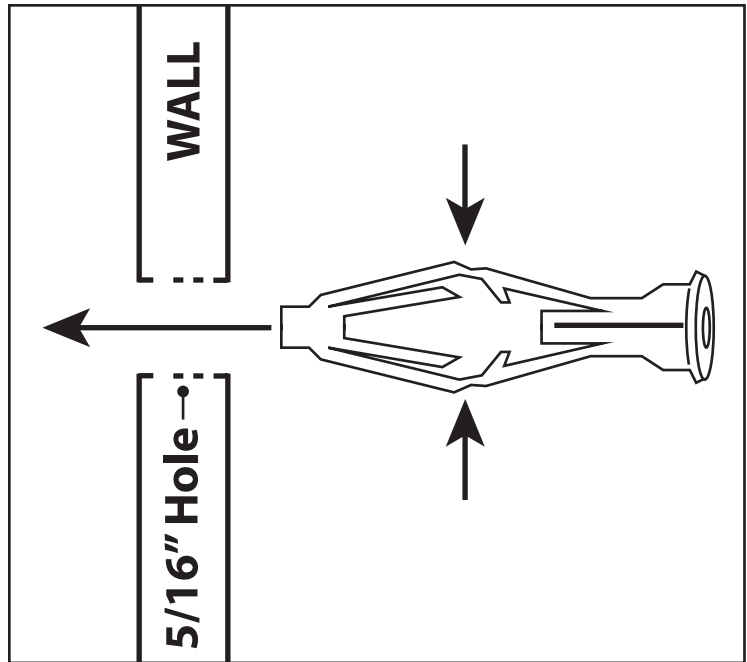


Step 3 (cont.)

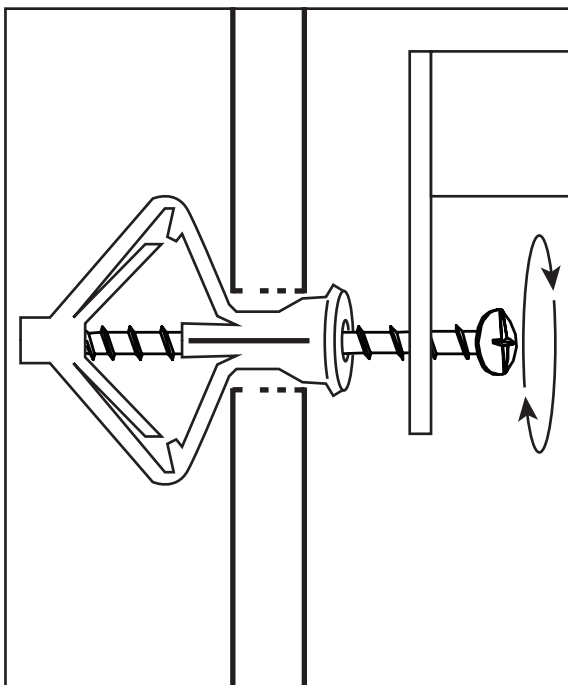
How to use drywall anchors



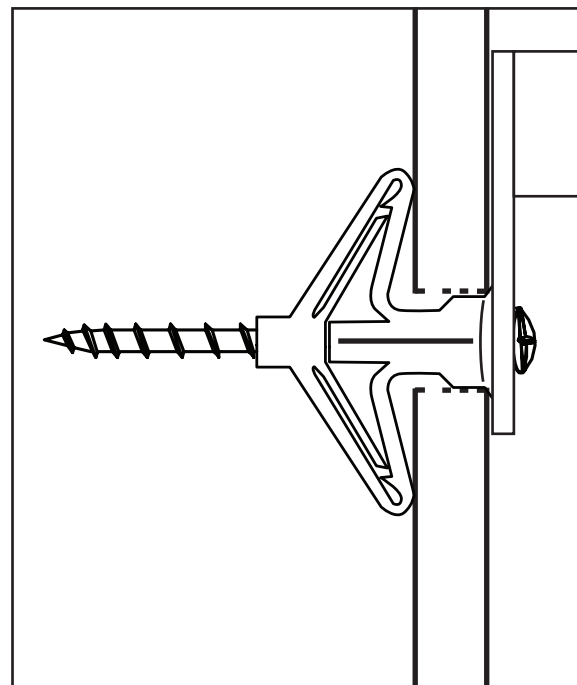
1. Drill hole with 5/16" bit



2. Pinch and insert



3. Begin tightening



4. Tighten to 100%



No heartburn, when we handle the return

Give us a call **1-866-619-1004** or shoot us a message at **help@nathanjames.com** we will issue you a free replacement with **zero hassle**.

Our way



Give us a call



Replacement



You

Their way



Re-package item



Schedule pick up



Track package



Replacement



You

We really don't want you to go through the hassle of re-packaging your item and sending it back, because let's be honest...nobody has time for that.



Safety first, fun later

We want your Theo Bookcase to last as long as possible, so we recommend that you tighten the screws 2 weeks after assembly and for added safety check the tightness of all screws every 2 months.

For proper care and treatment of wood and metal please check our website at NathanJames.com/products

Safe use of this product starts with you.

Use this bookcase responsibly with the primary concern for your safety. Follow assembly instructions carefully and inspect product upon receipt and each use.

Nathan James and its parent companies cannot be held legally responsible for any injuries or death resulted from failure to follow instructions or improper use of this product.

Do not modify the structure of this product in any way.

Our products have been tested to meet specific safety measures as they were originally intended to be sold. Any modifications will present the risk of creating significant safety issues which NJ will not be responsible for.

Proper use

- DO NOT** use for commercial purposes
- DO NOT** place on uneven floor or surface
- DO NOT** use as a step-stool or stand on bookcase
- DO NOT** put hot serving liquid directly on bookcase
- DO NOT** leave spilled liquid on bookcase
- DO NOT** use if bookcase is damaged or broken
- DO NOT** make temporary repairs
- DO NOT** use outdoors



We are only in business if you're happy

For starters, thanks for being you.

☎ Toll-free at 1-866-619-1004

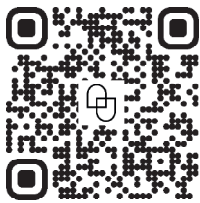
✉ Help@nathanjames.com

🌐 NathanJames.com/help

We do our best to ensure your furniture arrives without any problems, but occasionally mistakes happen—as humans we are imperfect beings. In the event that a part is damaged or missing, we will be more than happy to provide you with replacement part(s) for free.

Warranty

This product comes with a lifetime warranty from the date of purchase. Please use your phone to scan the QR code to register your product or visit <https://goo.gl/i9dk3q>



Did we do alright? Please spread the love!

If you are happy with your product, tell your friends and family about us or even better leave us a review online. Spreading the word gives us the opportunity to make more people happy and keep our prices low for your next purchase.

Brooklyn Burden

Founder, Nathan James