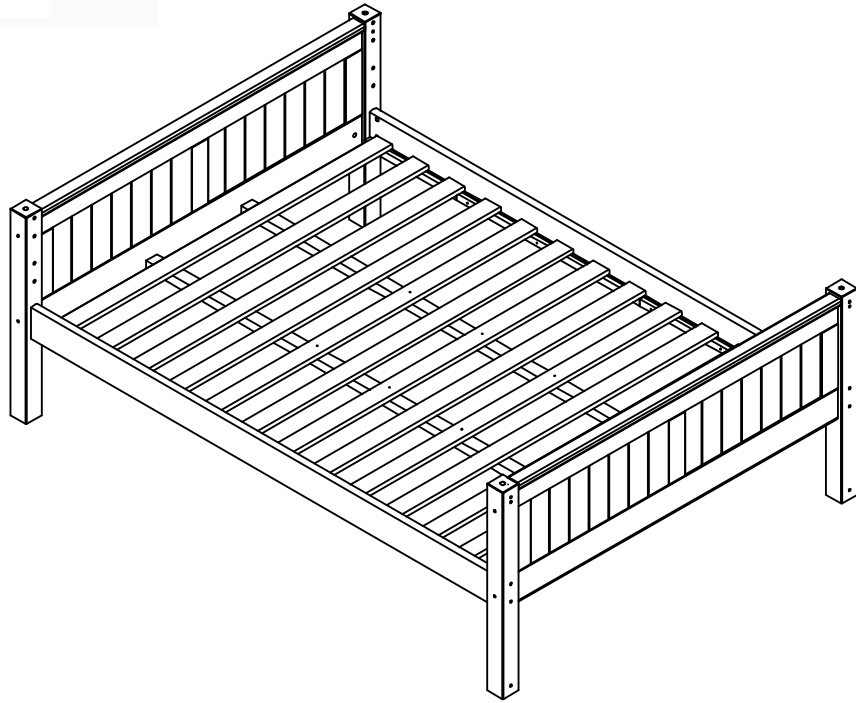
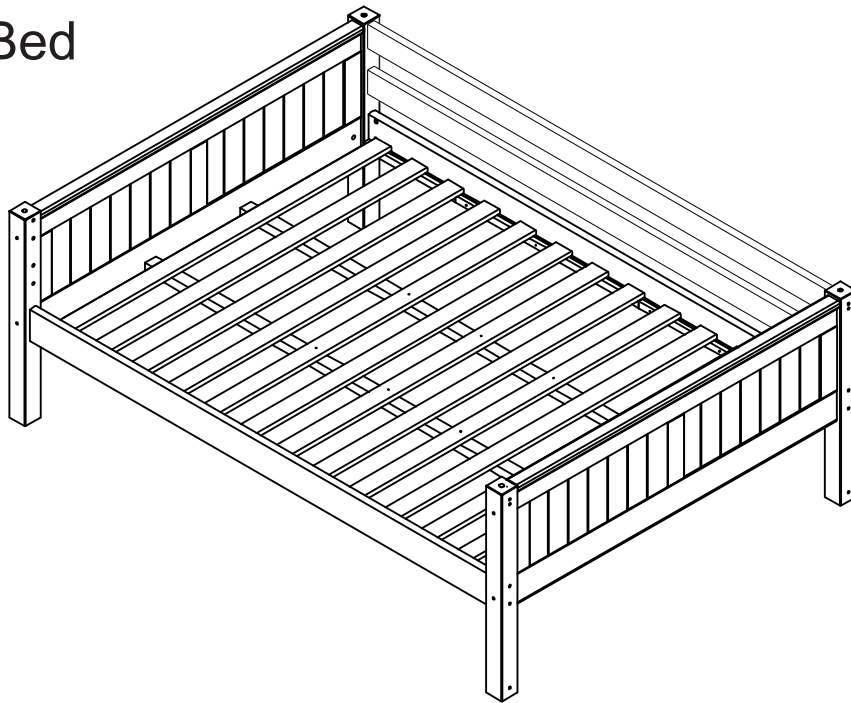


BASE BED - FULL

Base Bed



Base DayBed

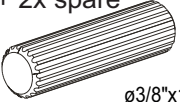
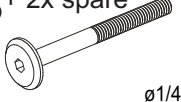






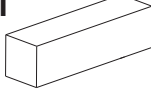


ATTENTION

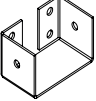

- 1 - Read and observe carefully all the assembly instructions before beginning assembly.
- 2 - The assembly of the product must be done on a clean and flat surface. We suggest to use the packaging to cover the floor to avoid damages.
- 3 - The screws must be tightened periodically.
- 4 - Avoid contact with sharp objects.
- 5 - Avoid banging pieces together.



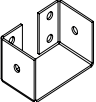

Parts and hardware list for ASSEMBLY BASE BED. The hardware is located in several part cartons as indicated below: Hardware - Carton

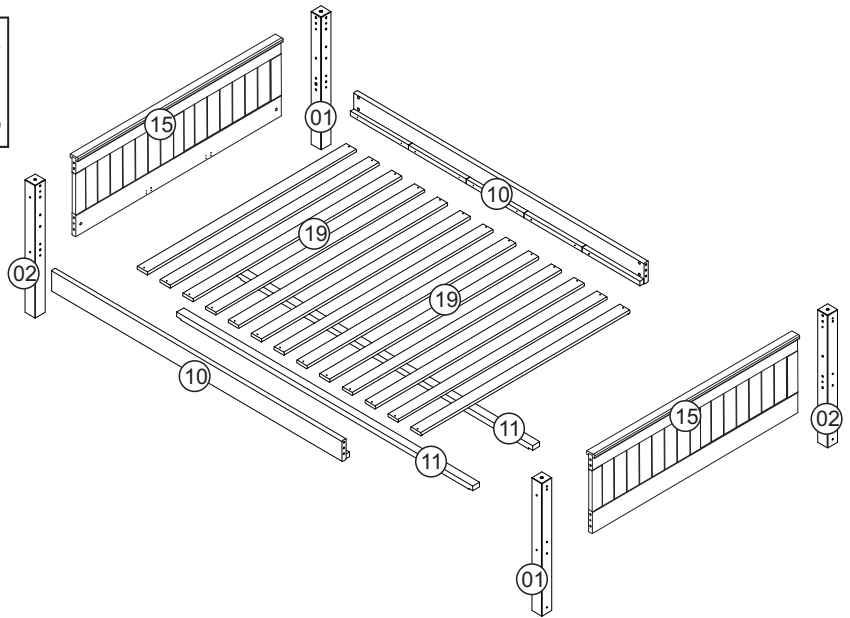
A + 2x spare 16x  ø3/8"x1 9/16"	B + 2x spare 12x  ø1/4"x4 1/4"	C + 2x spare 12x  ø1/4"x5/8"	D 16x  ø5/16"	E 20x  ø3/8"
F + 2x spare 01x 	G + 2x spare 04x  ø1/4"x3 7/8"	I + 2x spare 28x  ø1/8"x1 3/8"	BH 02x  2 3/4"	

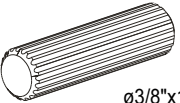
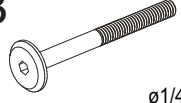



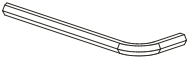
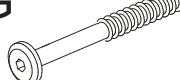
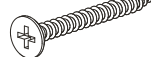
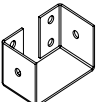

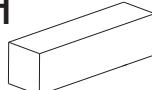
Hardware - Carton SKU

J 02x 	M 12x  ø1/8" x 3/4"
---------------------------------------------------------------------------------------------------	-------------------------------------------------------------------------------------------------------------------

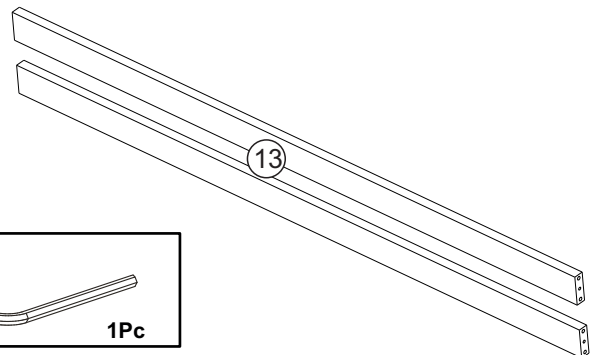
Hardware - Carton SKU

J 02x 	M + 2x spare 12x  ø1/8" x 3/4"
---------------------------------------------------------------------------------------------------	------------------------------------------------------------------------------------------------------------------------------

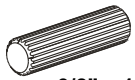


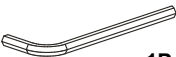


A 16x  ø3/8"x1 9/16"	B 12x  ø1/4"x4 1/4"	C 12x  ø1/4"x5/8"	D 16x  ø5/16"
E 20x  ø3/8"	F 01x 	G 04x  ø1/4"x3 7/8"	I 28x  ø1/8"x1 3/8"
J 04x 	M 24x  ø1/8" x 3/4"	BH 02x  2 3/4"	

DayBed add 2x Rear Guard Rails + Hardware as indicated below:

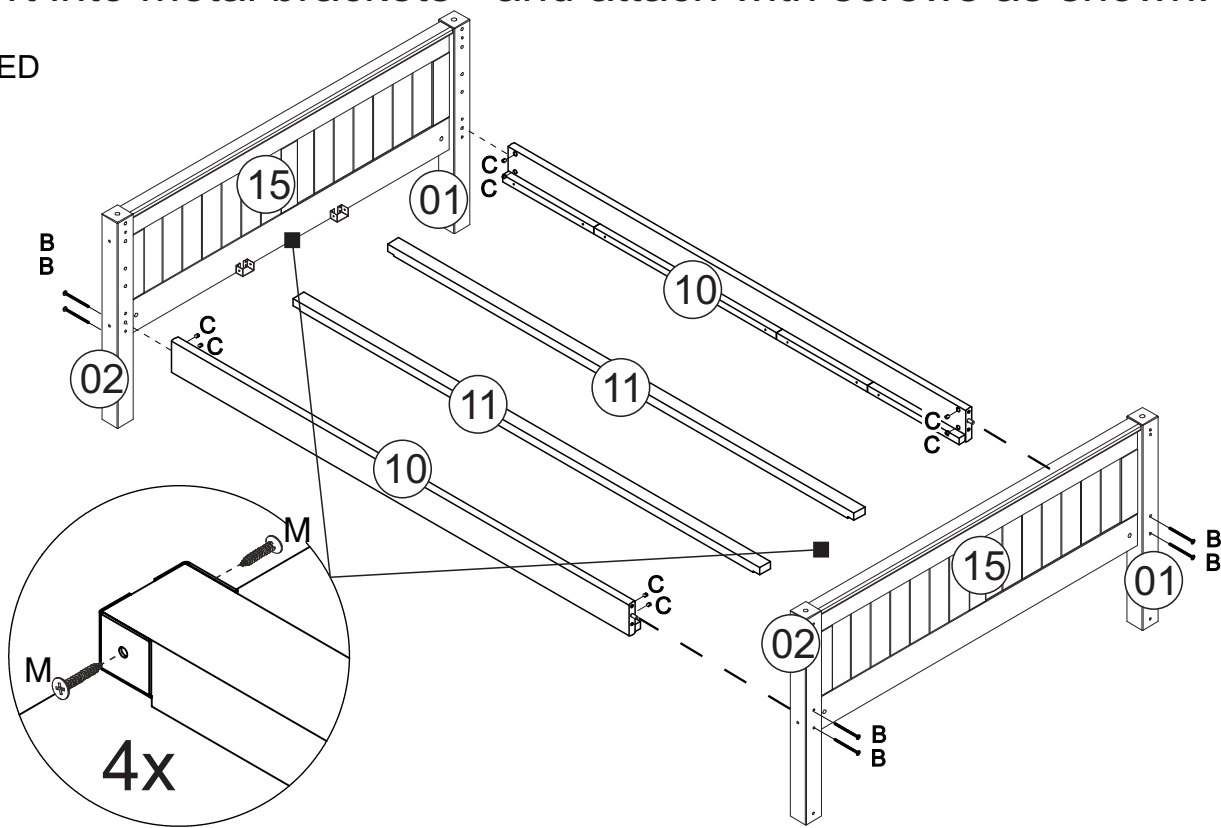


Hardware Carton SKU

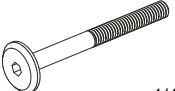

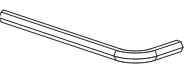

A 8Pc  ø3/8" x 1 9/16"	B 2Pc  ø1/4" x 4 1/4"	C 2Pc  ø1/4" x 5/8"	F 1Pc 
------------------------------------------------------------------------------------------------------------------------	-----------------------------------------------------------------------------------------------------------------------	---------------------------------------------------------------------------------------------------------------------	------------------------------------------------------------------------------------------------------

Step 03 - Fasten bed rails to head board posts. Place wood center support into metal brackets - and attach with screws as shown.

BASE BED

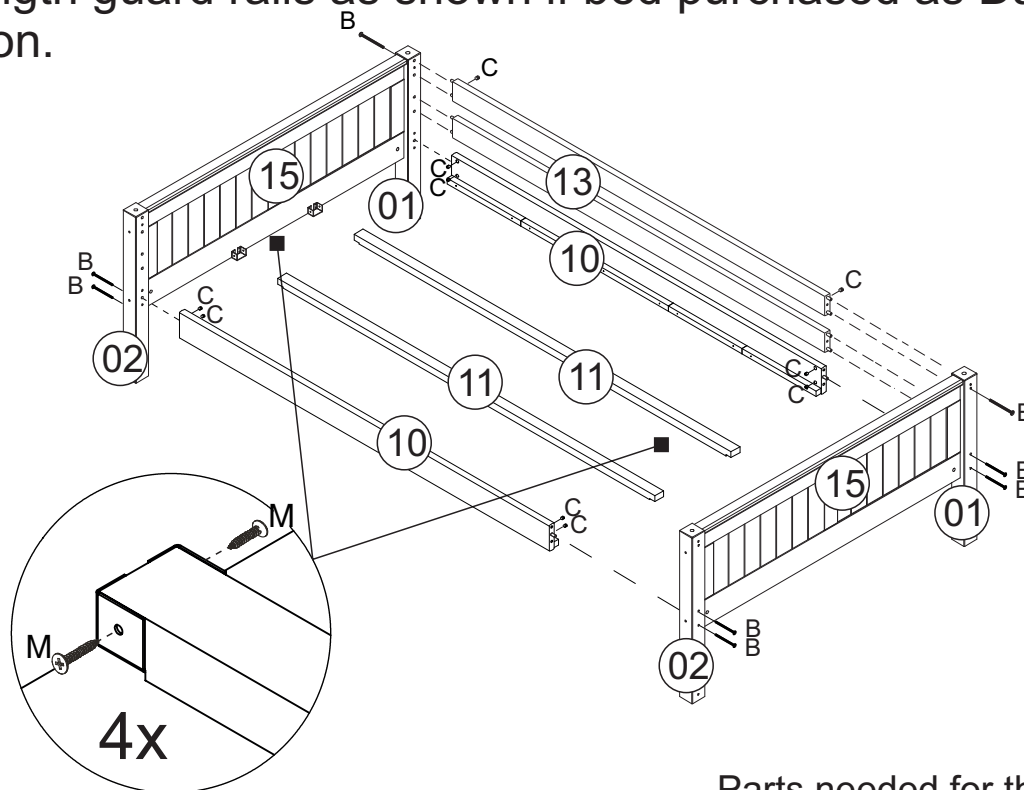


Parts needed for this step:

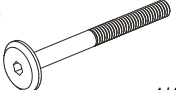

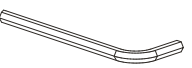

B		08x	C		08x	F		01x	M		08x
		$\varnothing 1/4" \times 4 1/4"$			$\varnothing 1/4" \times 5/8"$						$\varnothing 1/8" \times 3/4"$

Attach full length guard rails as shown if bed purchased as DayBed with this option.

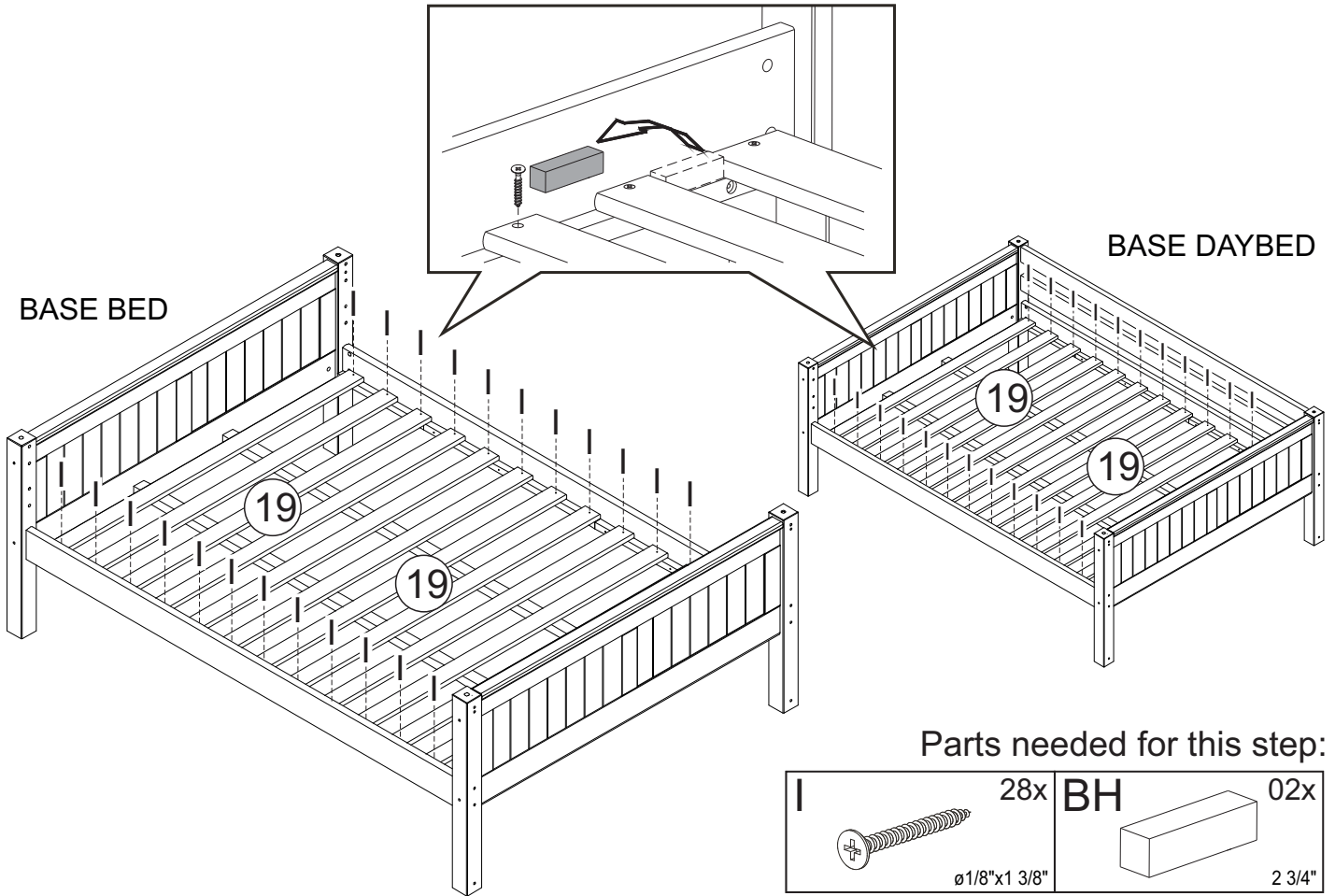
BASE DAYBED



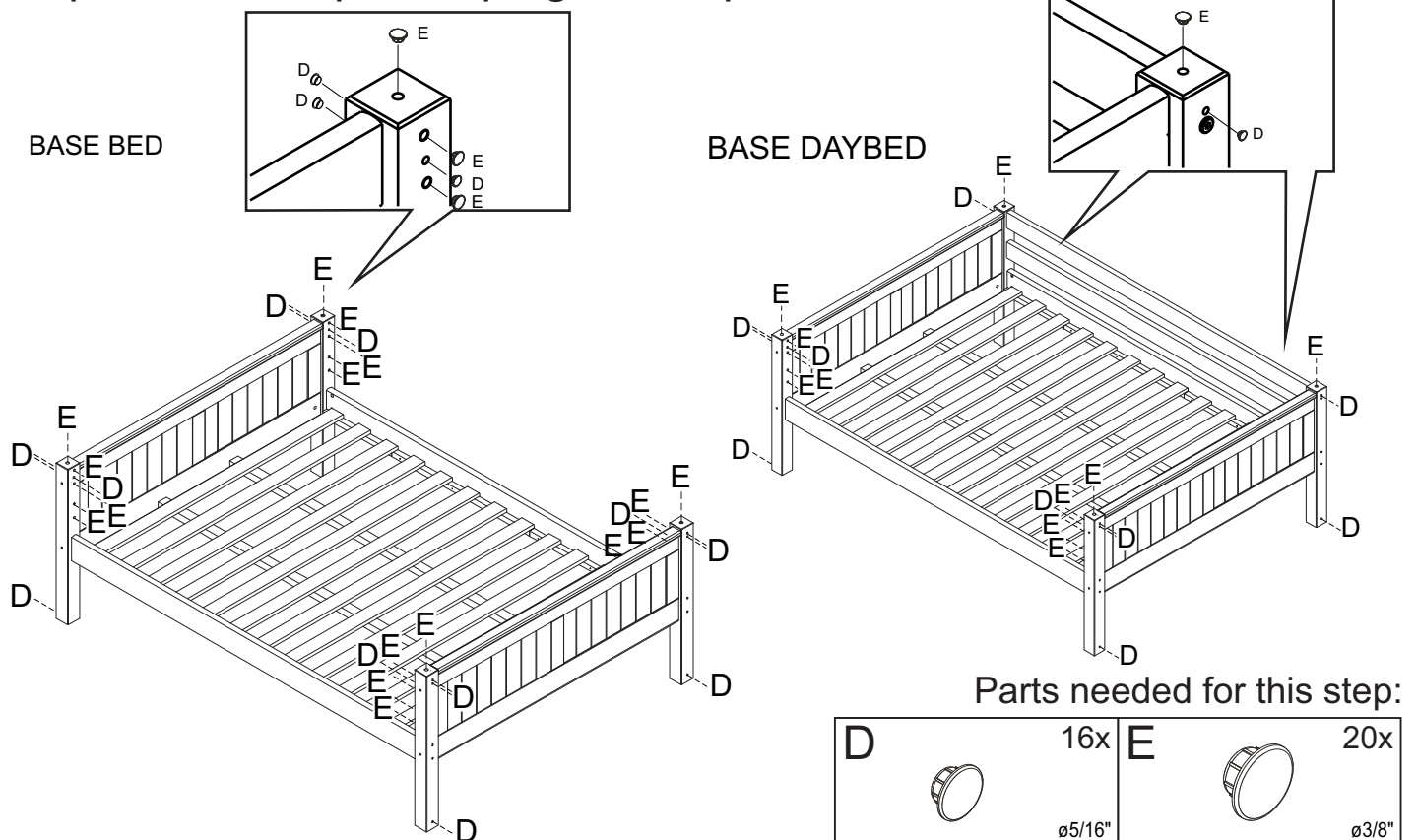
Parts needed for this step:

B		10x	C		10x	F		01x	M		08x
		$\varnothing 1/4" \times 4 1/4"$			$\varnothing 1/4" \times 5/8"$						$\varnothing 1/8" \times 3/4"$

Step 04 - Attach slat roll foundation to bed rails as indicated.



Step 05 - Place plastic plugs into open screw holes.



Your bed is now ready for use as is or to be added to other bed configurations, such as Loft Bed, Bunk Bed, etc.