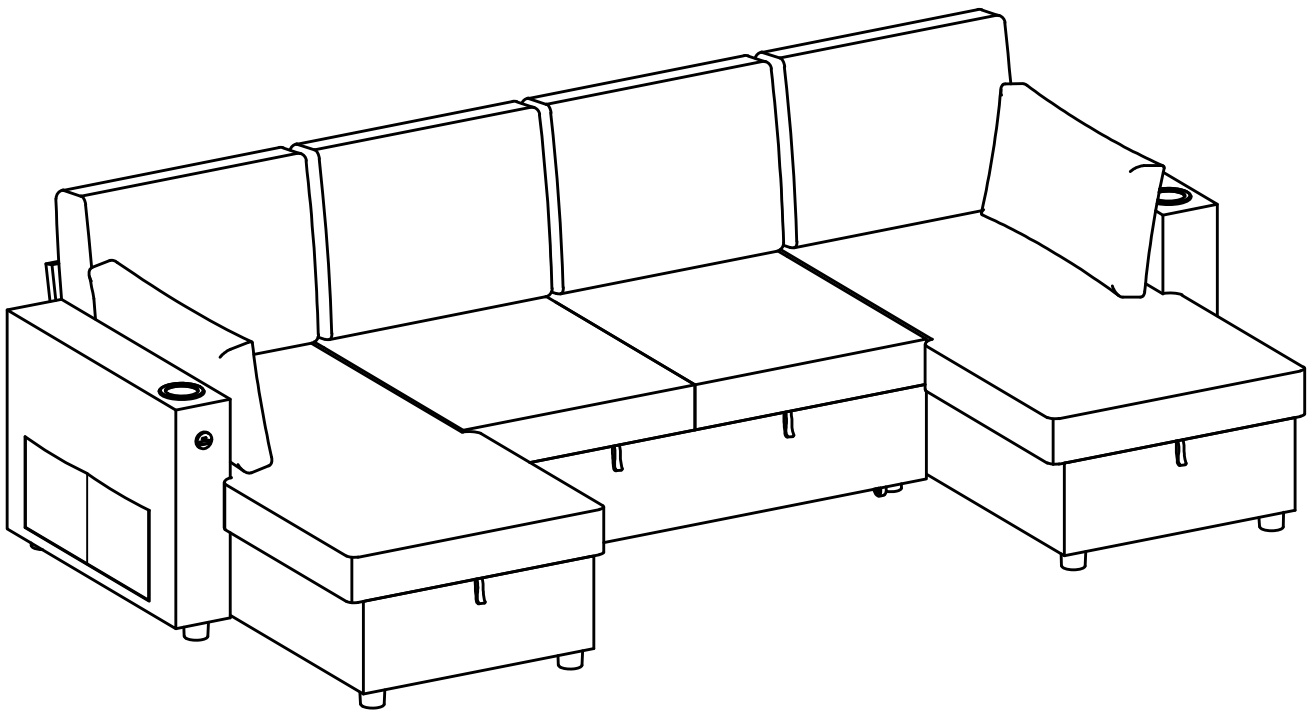
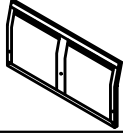

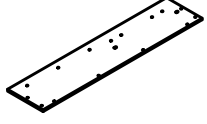
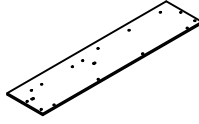
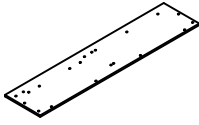
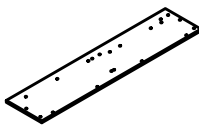
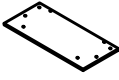
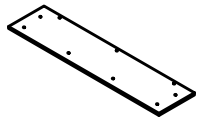
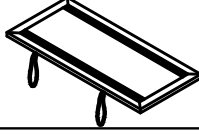
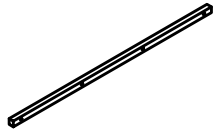


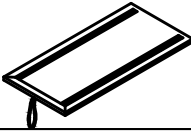
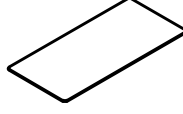
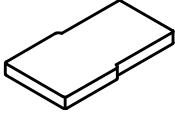
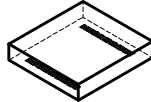
# ASSEMBLY INSTRUCTION

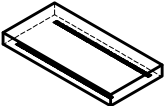
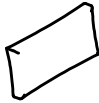


**COMPONENT LIST**

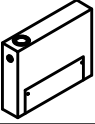
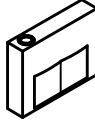
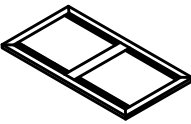
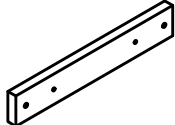
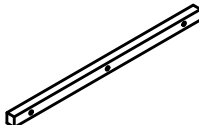

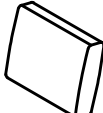
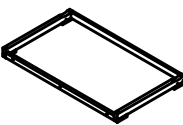
NO.	DRAWING	QTY	DESCRIPTION
(A)		1	Loveseat Backrest
(B)		2	Chaise Backrest
(C1)		1	Left Chaise Side Panel
(C2)		1	Right Chaise Side Panel
(D1)		1	Right Chaise Side Panel
(D2)		1	Left Chaise Side Panel
(E)		2	Front Chaise Panel
(F)		1	Drawer Panel
(G)		1	Drawer Frame Body
(S)		5	Long Support Bar

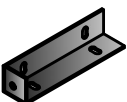
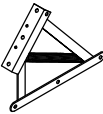
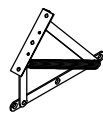
**COMPONENT LIST**


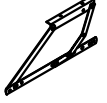







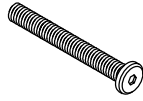
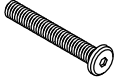

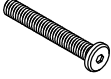

NO.	DRAWING	QTY	DESCRIPTION
(H)		2	Chaise Frame Body
(I)		2	Chaise Bottom Panel
(J)		2	Chaise Seat Cushion
(K)		2	Short Loveseat Cushion




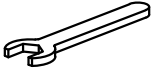
NO.	DRAWING	QTY	DESCRIPTION
(L)		1	Long Loveseat Cushion
(M)		2	Pillow

**COMPONENT LIST**

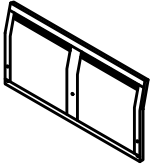

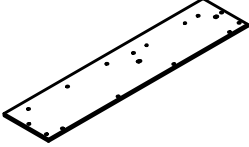
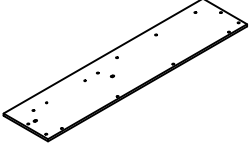
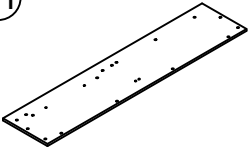
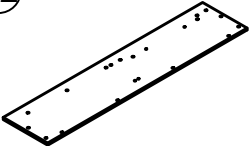
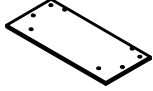
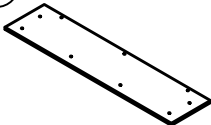
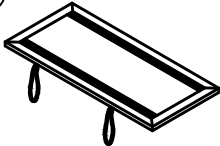
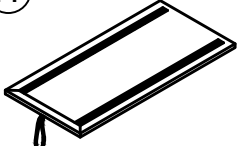
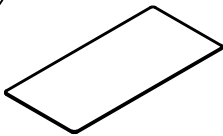
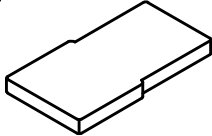
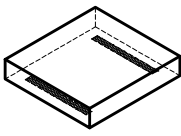
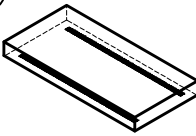
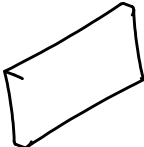
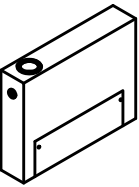
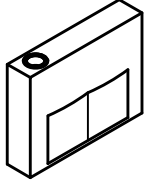
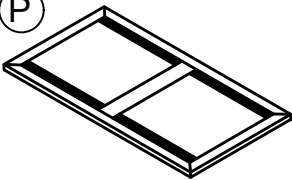
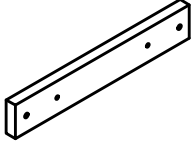
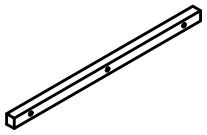
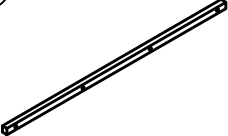
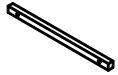
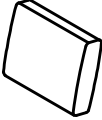
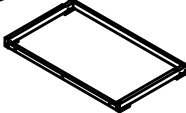
NO.	DRAWING	QTY	DESCRIPTION
(N)		1	Left Arm
(O)		1	Right Arm
(P)		1	Loveseat Frame Body
(Q)		4	Chaise Medium Support Bar
(R)		4	Chaise Medium Support Bar
(T)		4	Short Support Bar
(U)		4	Back Cushion
(V)		1	Loveseat Frame Body

	HARDWARE	QTY	DESCRIPTION
(1)		10	L Pad
(2)		2	Left Elbow Hinge (Chaise)
(3)		2	Right Elbow Hinge (Chaise)

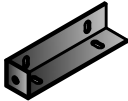
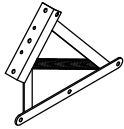
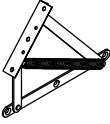
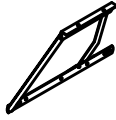
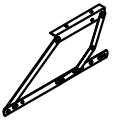






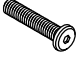
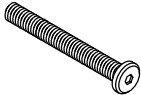
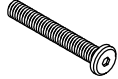

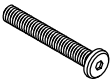





NO.	DRAWING	QTY	DESCRIPTION
④		1	Left Elbow Hinge (Drawer)
⑤		1	Right Elbow Hinge (Drawer)
⑥		12	Round Legs
⑦		6	Wheels
⑧		4	V Pad
⑨		3	V Pad
⑩		1	Left L Metal Pad
⑪		1	Right L Metal Pad
⑫		42	Bolt 5/16" x 20mm
⑬		47	Bolt 5/16" x 45mm
⑭		21	Bolt 5/16" x 35 mm
⑮		20	Bolt 1/4" x 20mm
⑯		24	Bolt 1/4" x 35mm
⑰		109	Flat Washer Ø8 5/16"

NO.	DRAWING	QTY	DESCRIPTION
18		36	Flat Washer Ø6 1/4"
19		4	Hex Nut 5/16"
20		2	Allen Key
21		1	Wrench

### PARTS LIST

				
Long Backrest x 1 pc	Chaise Backrest x 2 pcs	Left Chaise Side Panel x 1 pc	Right Chaise Side Panel x 1 pc	Right Chaise Side Panel x 1 pc
				
Left Chaise Side Panel x 1 pc	Front Chaise Panel x 2 pcs	Drawer Panel x 1 pc	Drawer Frame Body x 1 pc	Chaise Frame Body x 2 pcs
				
Chaise Bottom Panel x 2 pcs	Chaise Seat Cushion x 2 pcs	Short Loveseat Cushion x 2 pcs	Long Loveseat Cushion x 1 pc	Pillow x 2 pcs
				
Left Arm x 1 pc	Right Arm x 1 pc	Loveseat Frame Body x 1 pc	Chaise Medium Support Bar x 4 pcs	Chaise Medium Support Bar x 4 pcs
				
Long Support Bar x 5 pcs	Short Support Bar x 4 pcs	Back Cushion x 4 pcs	Loveseat Frame Body x 1 pc	

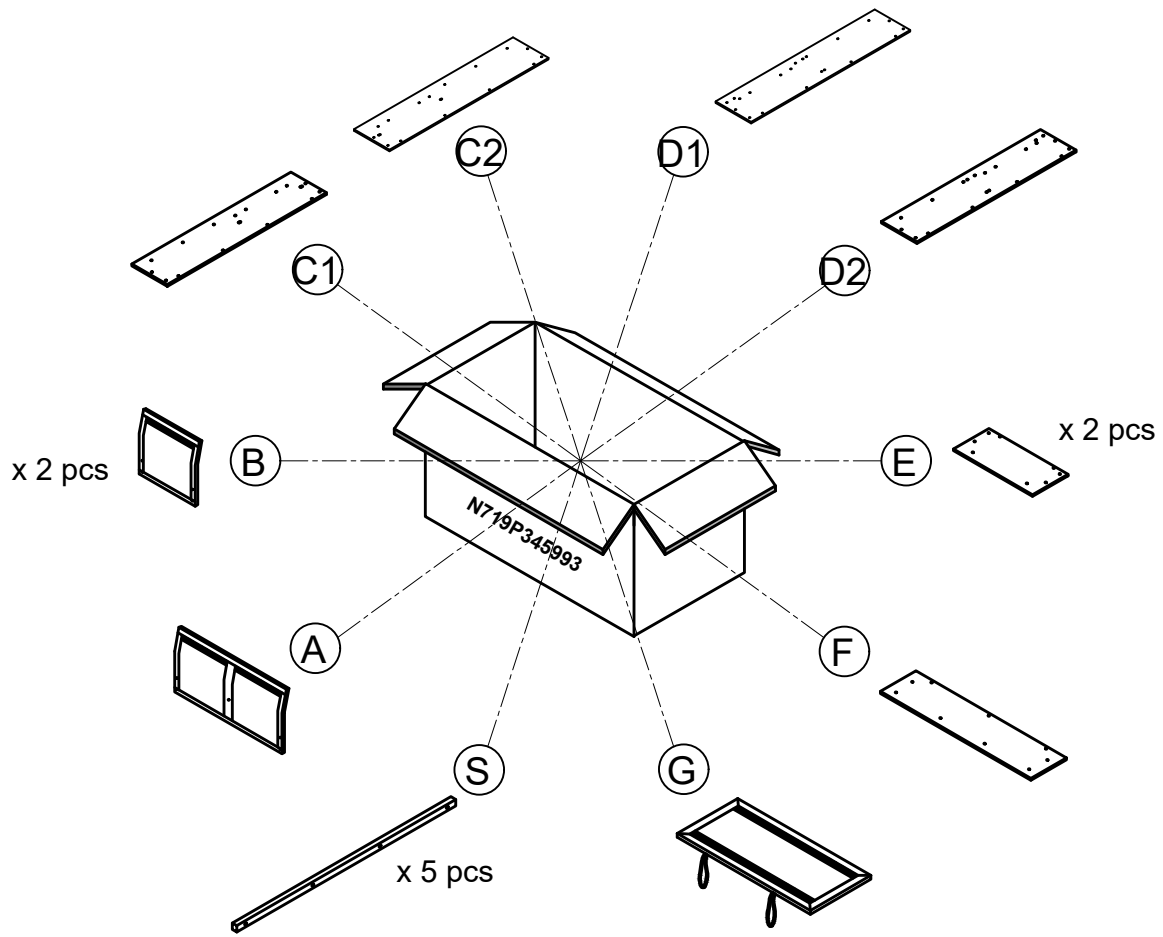
# HARDWARE

① 	② 	③ 	④ 	⑤ 
L Pad x 10 pcs	Left Elbow Hinge (Chaise) x 2 pcs	Right Elbow Hinge (Chaise) x 2 pcs	Left Elbow Hinge (Drawer) x 1 pc	Right Elbow Hinge (Drawer) x 1 pc
⑥ 	⑦ 	⑧ 	⑨ 	⑩ 
Round Legs x 12 pcs	Wheels x 6 pcs	V Pad x 4 pcs	V Pad x 3 pcs	Left L Metal Pad x 1 pc
⑪ 	⑫ 	⑬ 	⑭ 	⑮ 
Right L Metal Pad x 1 pc	Bolt 5/16" x 20mm x 42 pcs	Bolt 5/16" x 45mm x 47 pcs	Bolt 5/16" x 35 mm x 21 pcs	Bolt 1/4" x 20mm x 20 pcs
⑯ 	⑰ 	⑱ 	⑲ 	⑳ 
Bolt 1/4" x 35mm x 24 pcs	Flat Washer Ø8 5/16" x 109 pcs	Flat Washer Ø6 1/4" x 36 pcs	Hex Nut 5/16" x 4 pcs	Allen Key x 2 pcs
㉑ 				
Wrench x 1 pc				

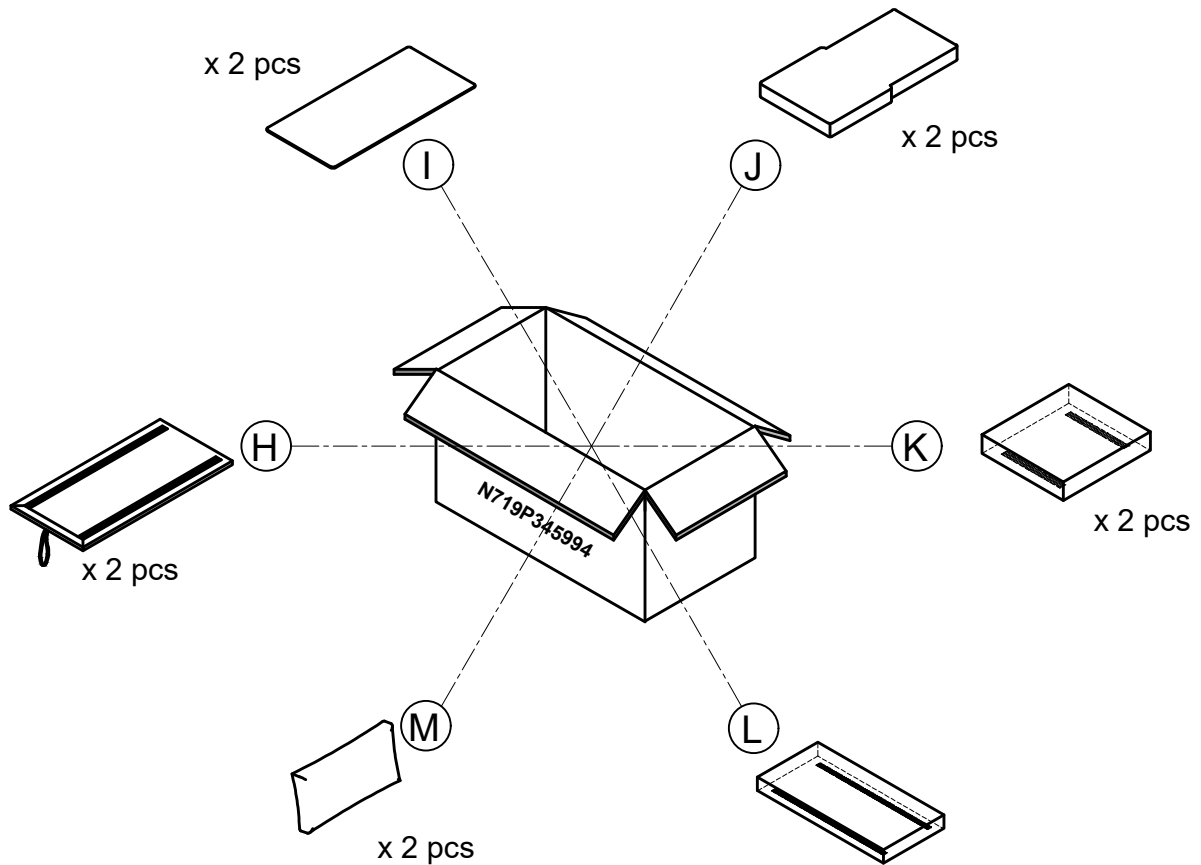
# PART LIST



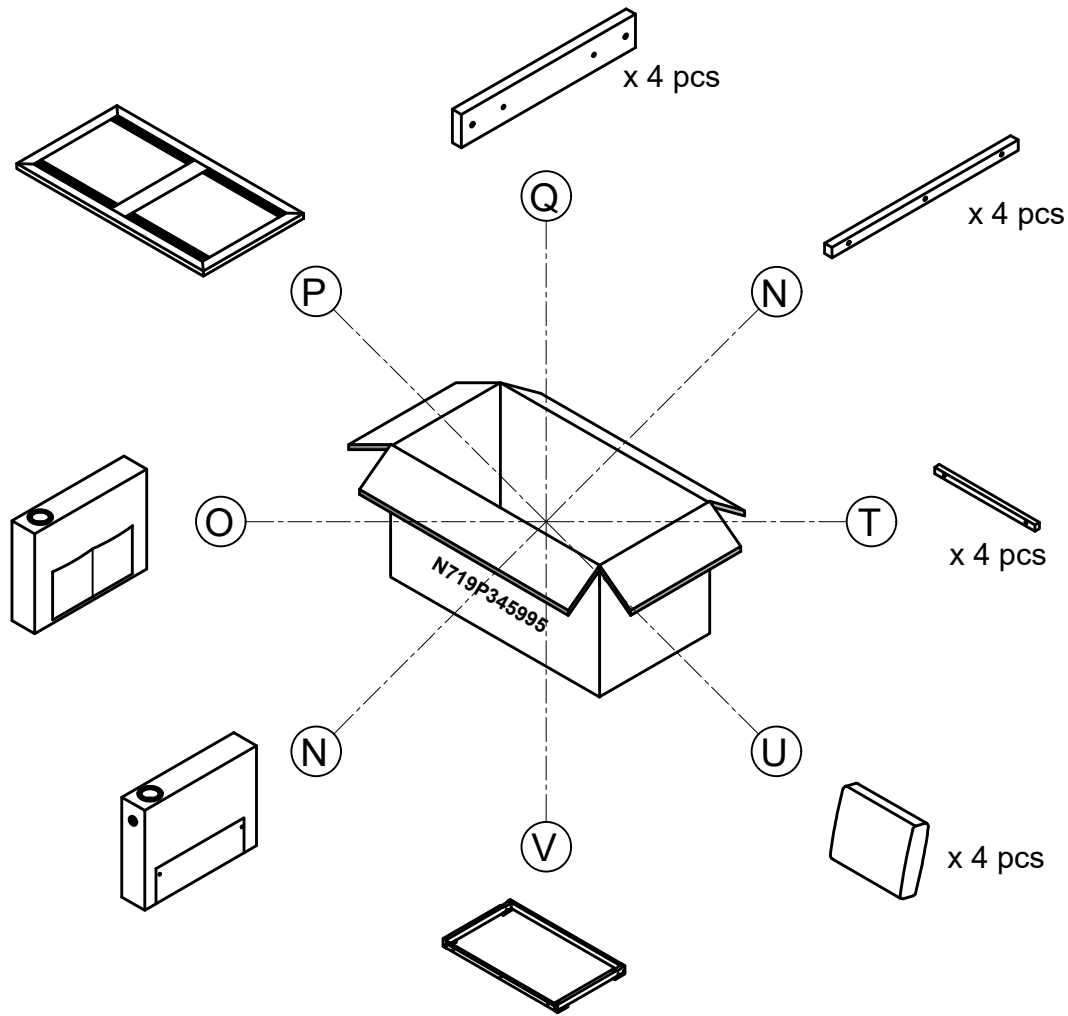
\* Take out the (A) (B) (C1) (C2) (D1) (D2) (E) (F) (G) (S)



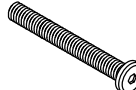

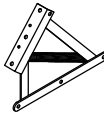

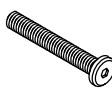

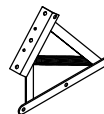





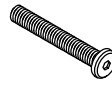
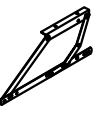



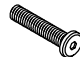



\* Take out the (H) (I) (J) (K) (L) (M)

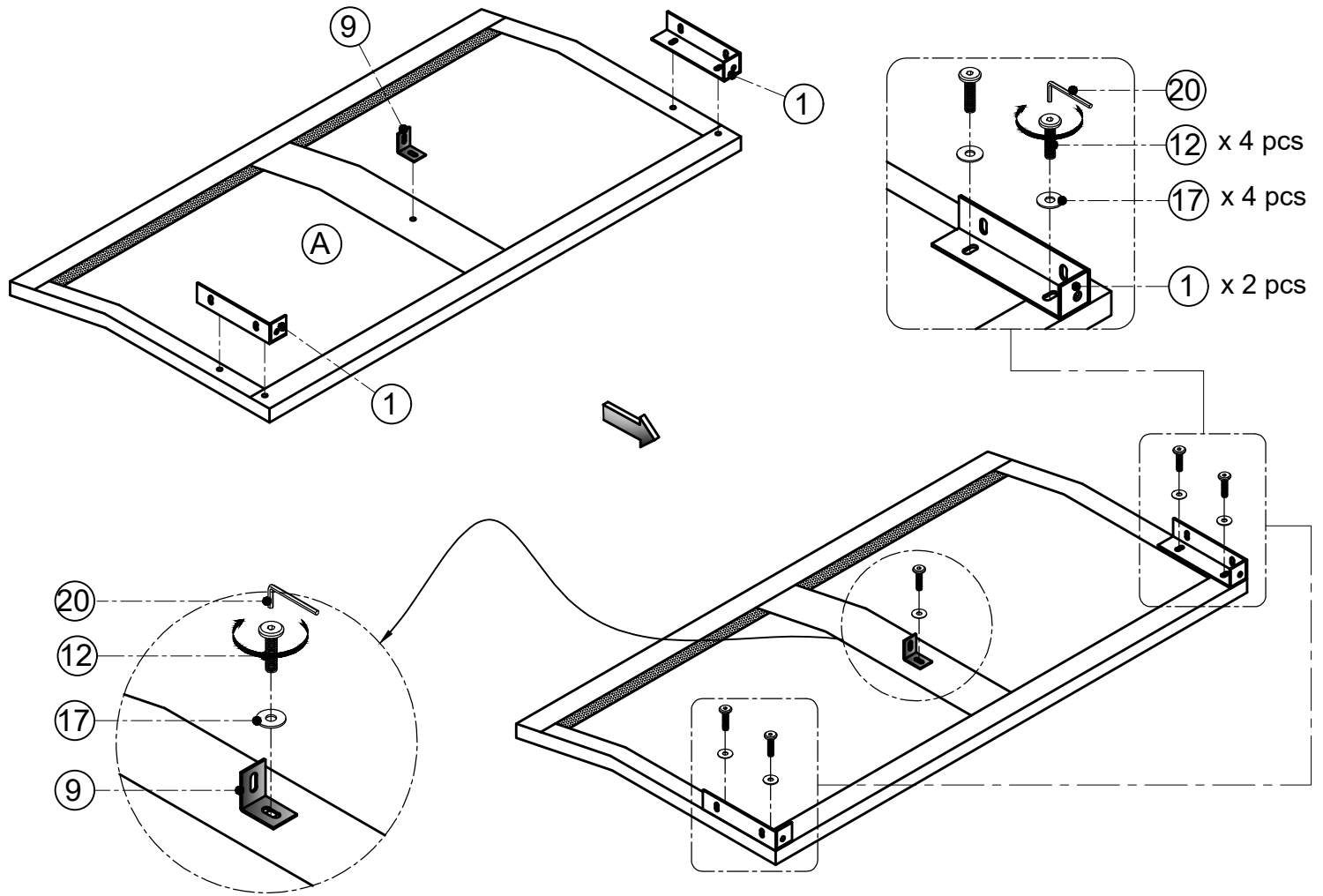


\* Take out the (N) (O) (P) (Q) (N) (T) (U) (V) (1) (2) (3) (4) (5) (6) (7) (8) (9)  
 (10) (11) (12) (13) (14) (15) (16) (17) (18) (19) (20) (21)

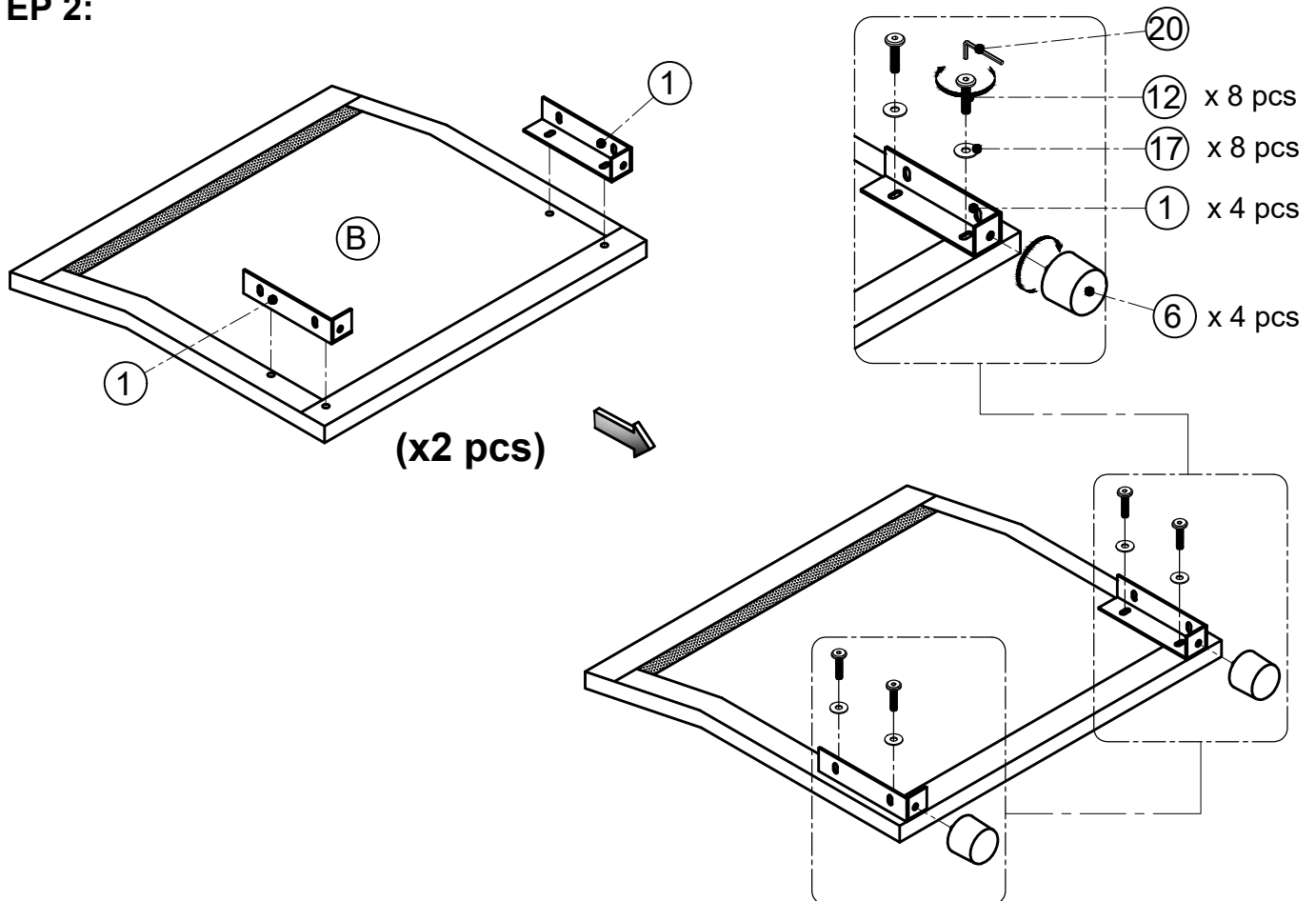


- |  |   |  |  |
|--|---|--|--|
| (1)  x 10 pcs | (7)  x 6 pcs   | (13)  x 47 pcs | (19)  x 4 pcs |
| (2)  x 2 pcs  | (8)  x 4 pcs   | (14)  x 21 pcs | (20)  x 2 pcs |
| (3)  x 2 pcs  | (9)  x 3 pcs   | (15)  x 20 pcs | (21)  x 1 pc  |
| (4)  x 1 pc   | (10)  x 1 pc   | (16)  x 24 pcs |  |
| (5)  x 1 pc   | (11)  x 1 pc   | (17)  x 109 pcs |  |
| (6)  x 12 pcs | (12)  x 42 pcs | (18)  x 36 pcs  |  |

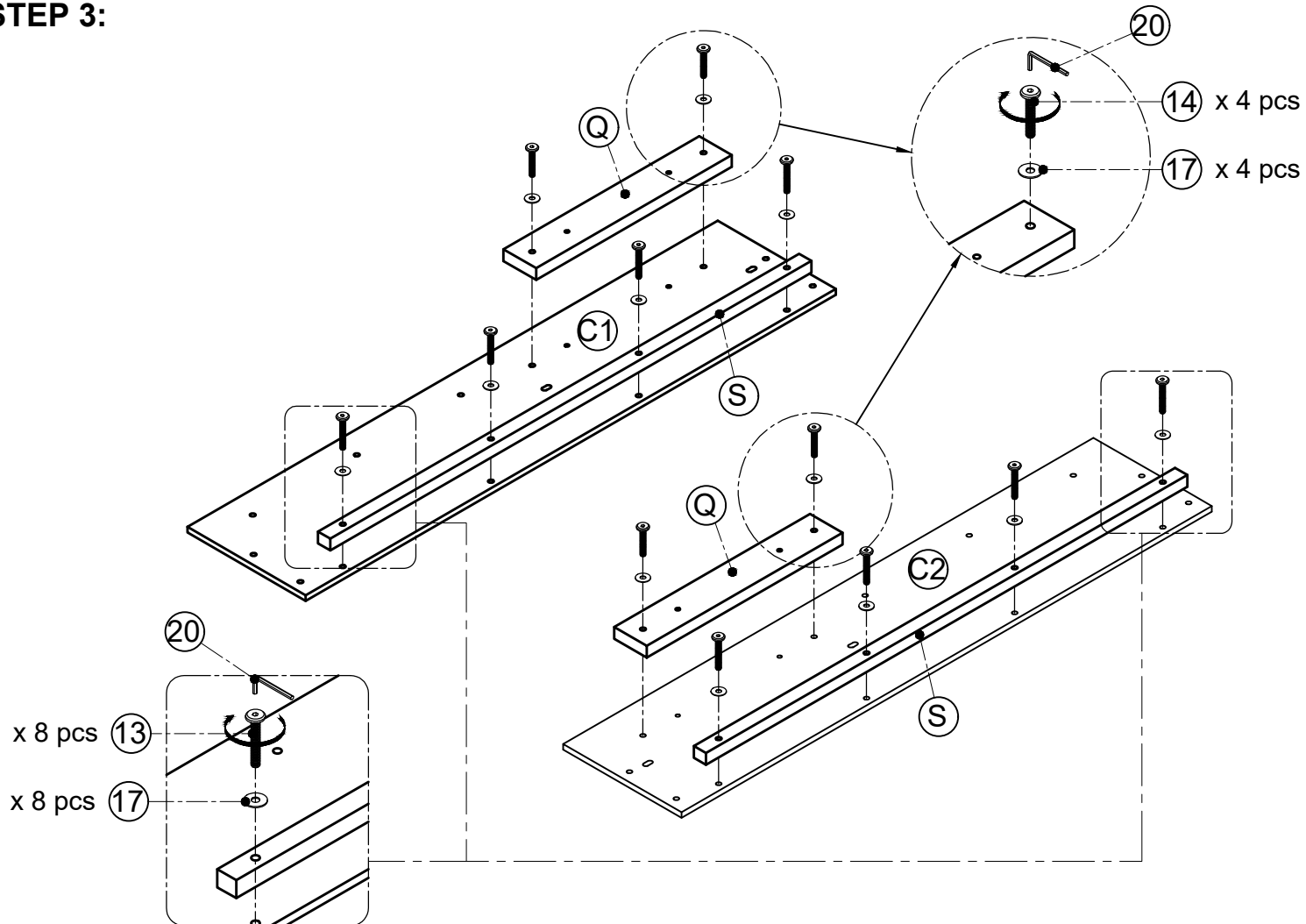
# STEP 1:



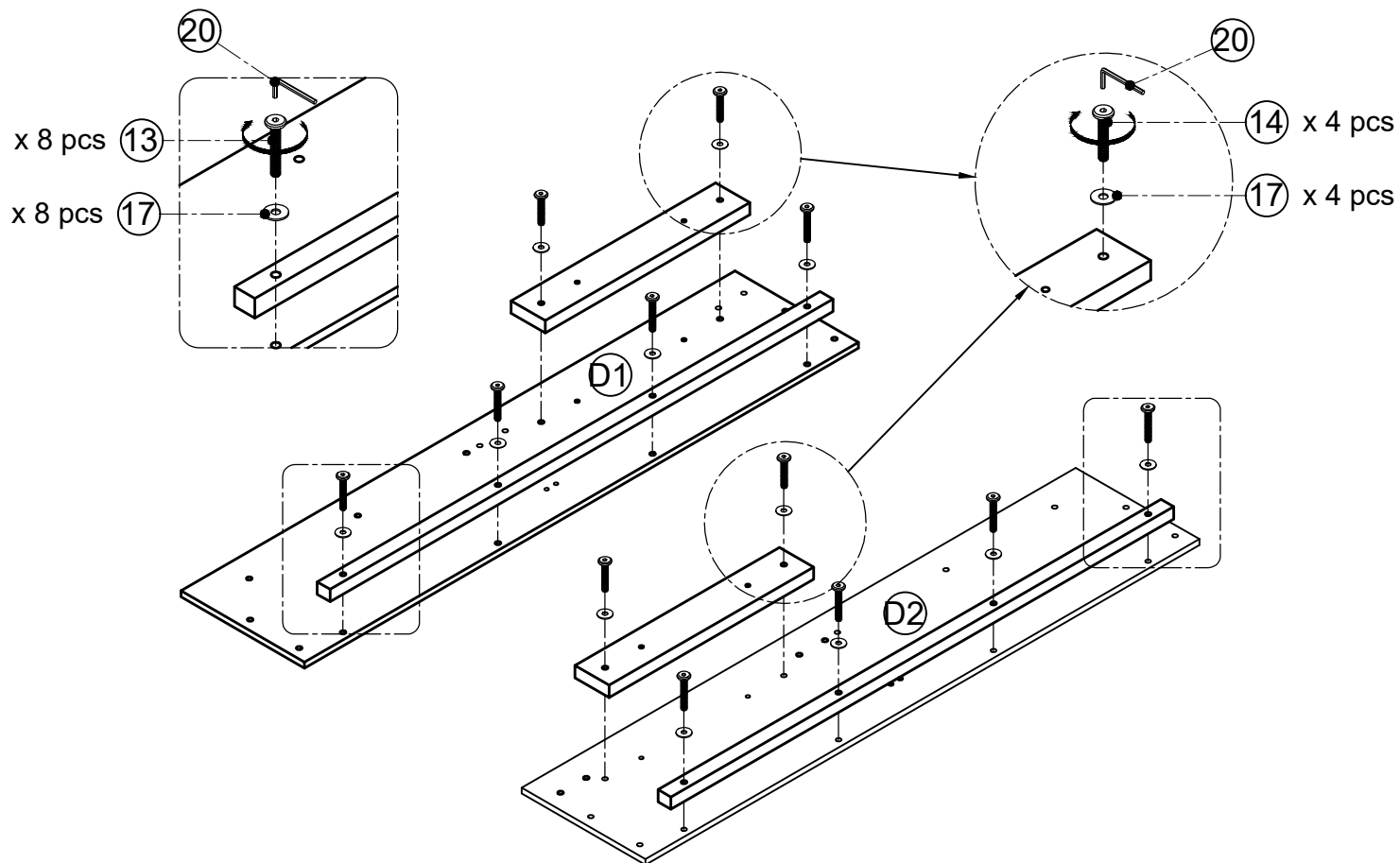
# STEP 2:



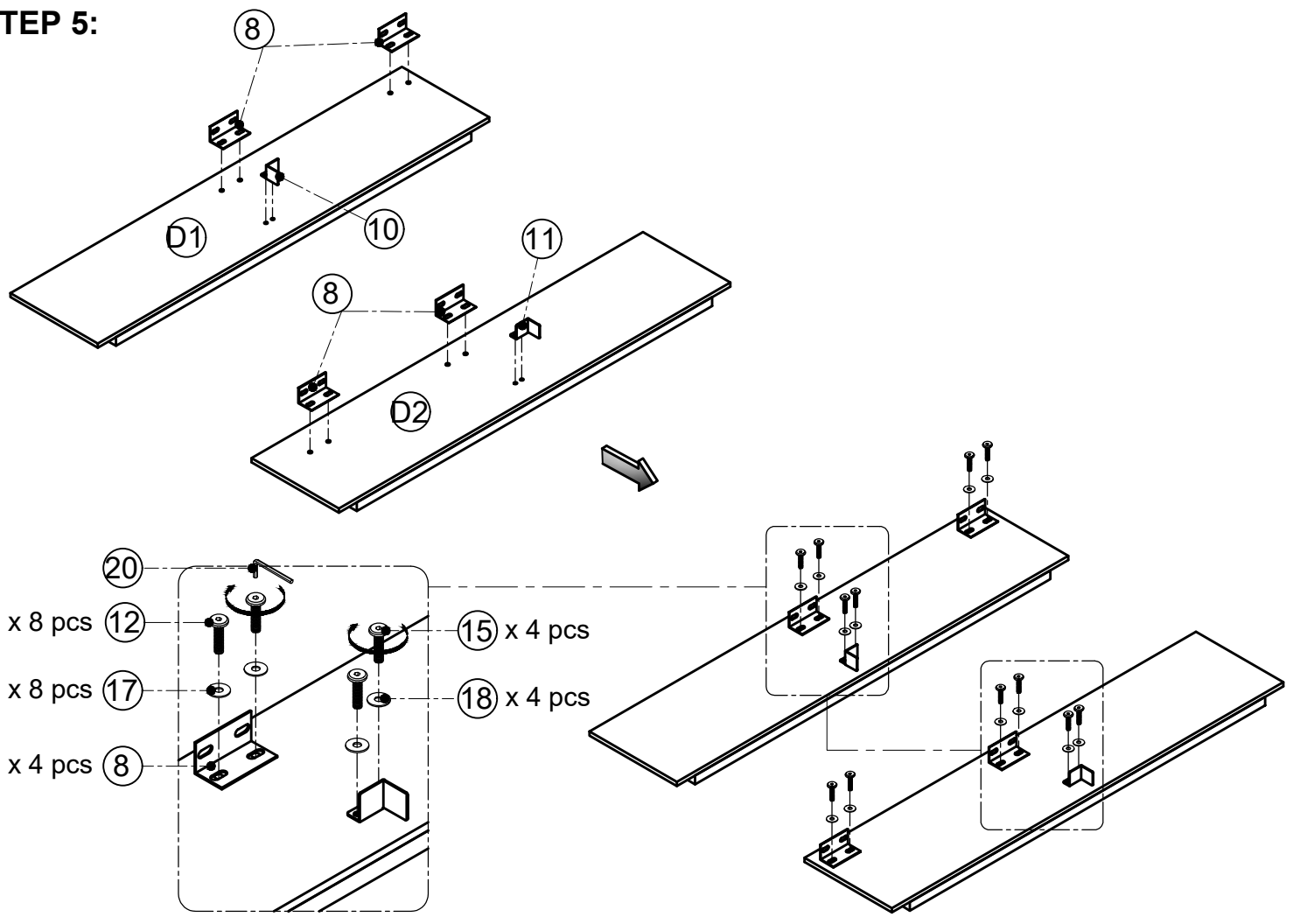
### STEP 3:



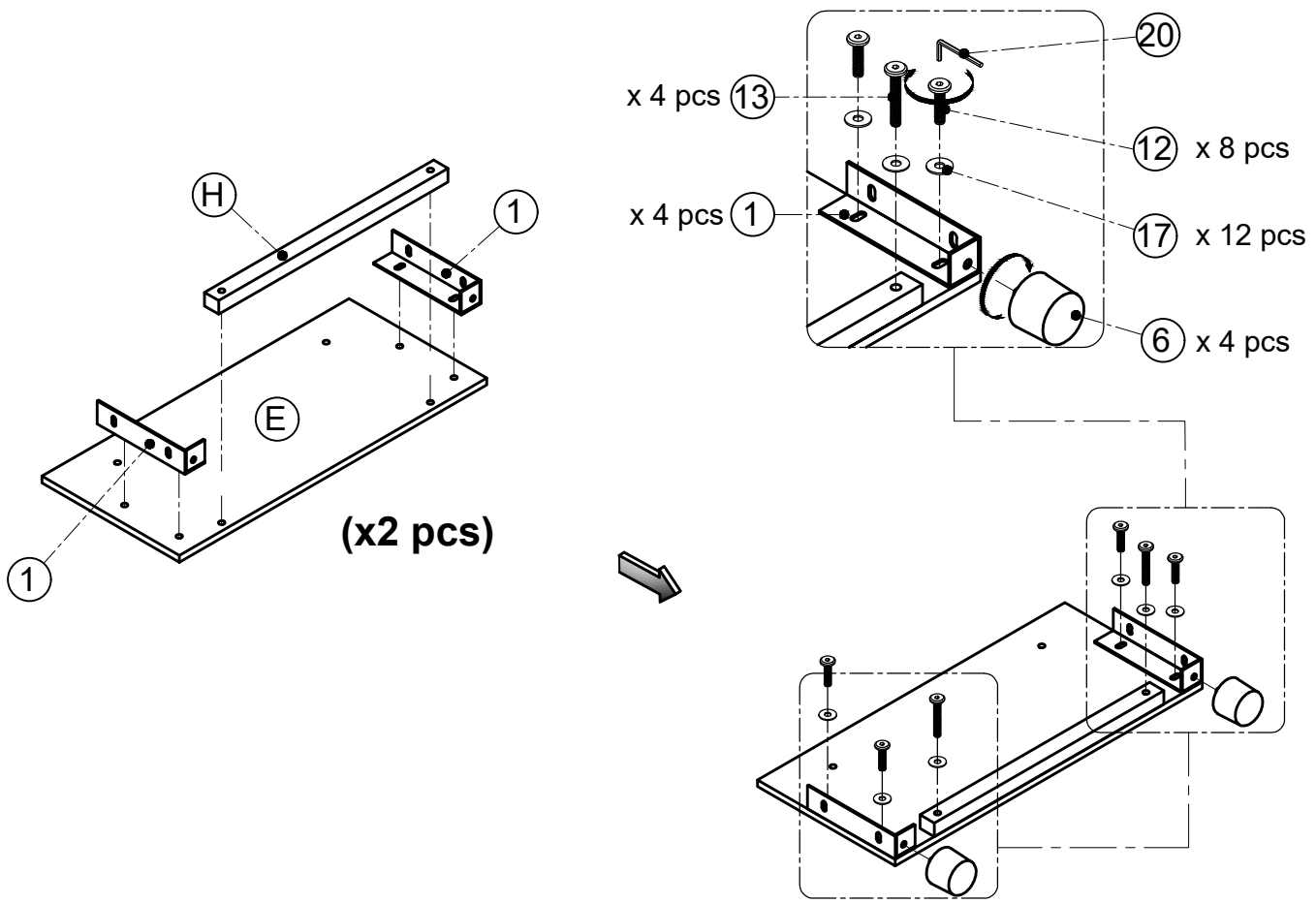
### STEP 4:



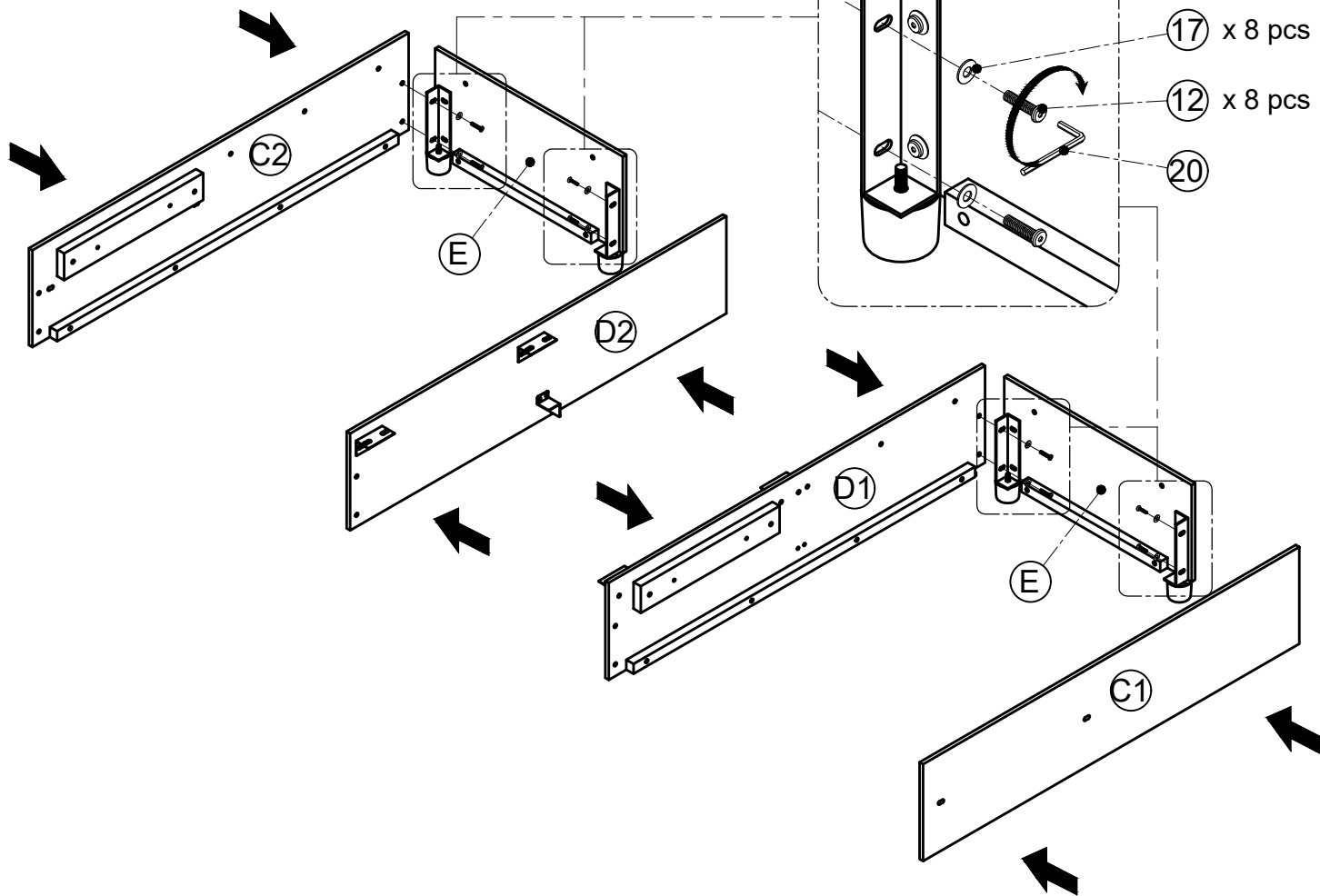
**STEP 5:**



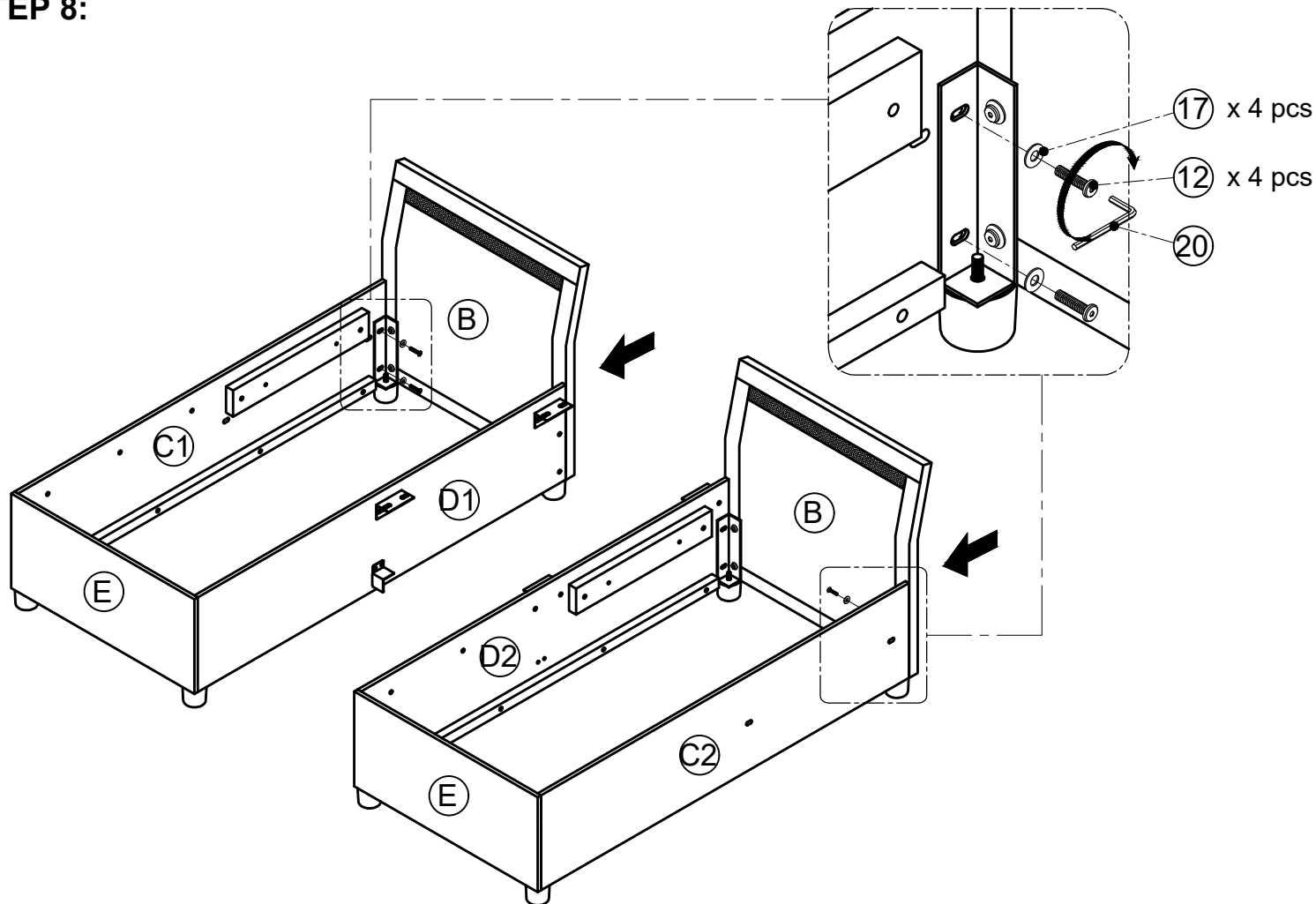
**STEP 6:**



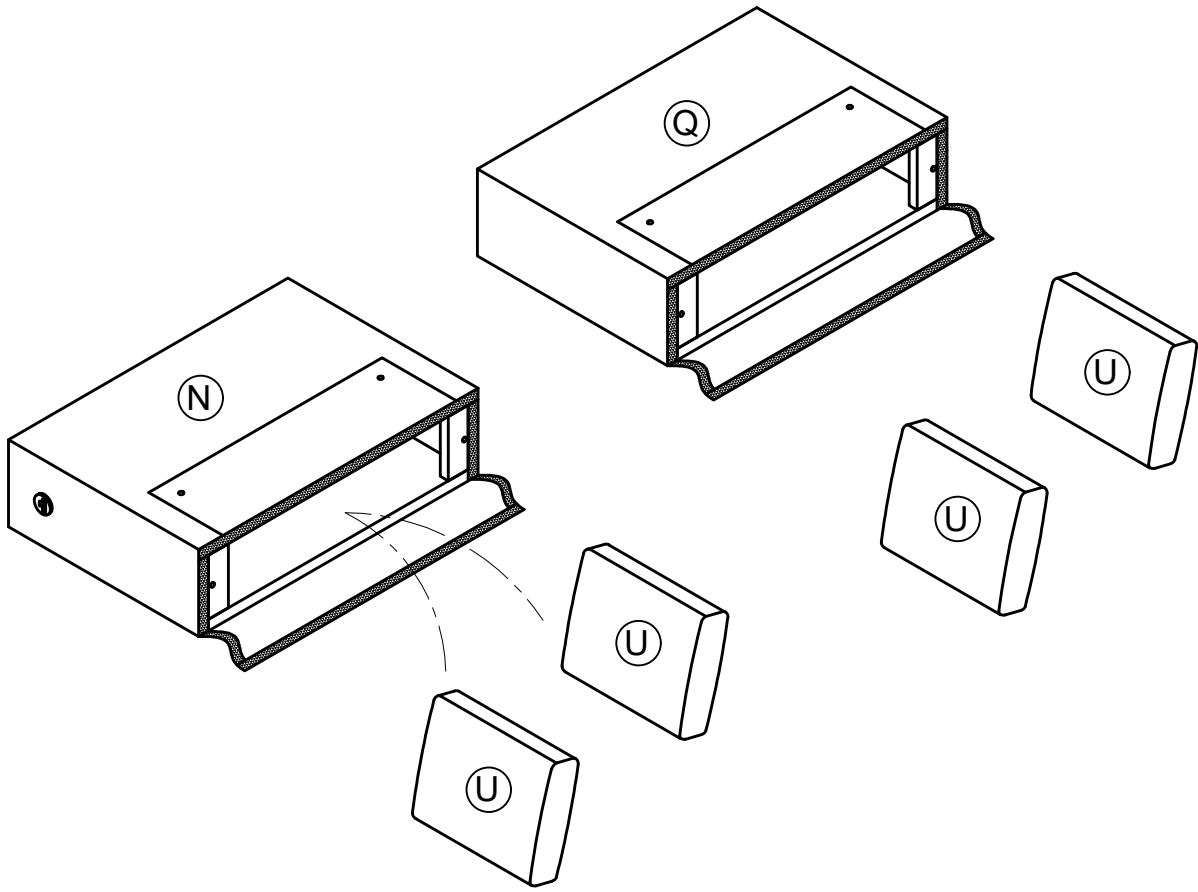
**STEP 7:**



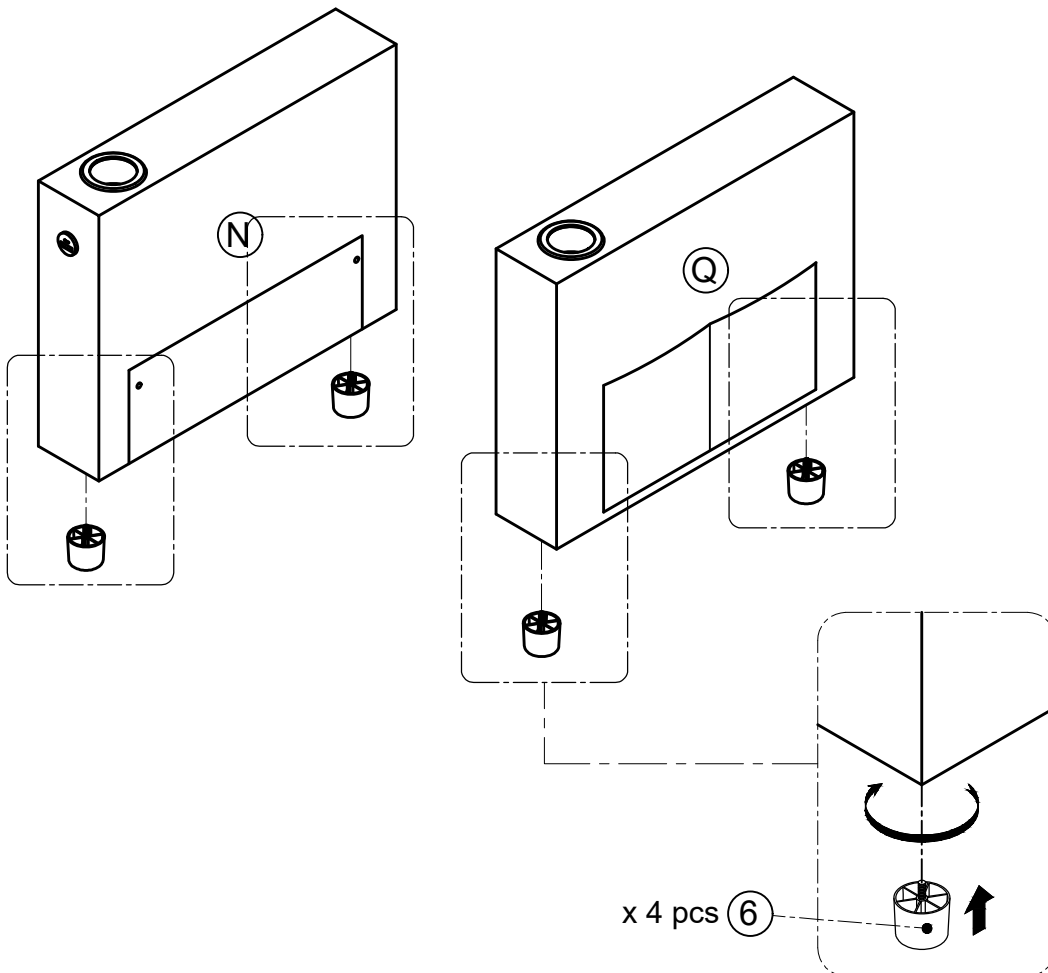
**STEP 8:**



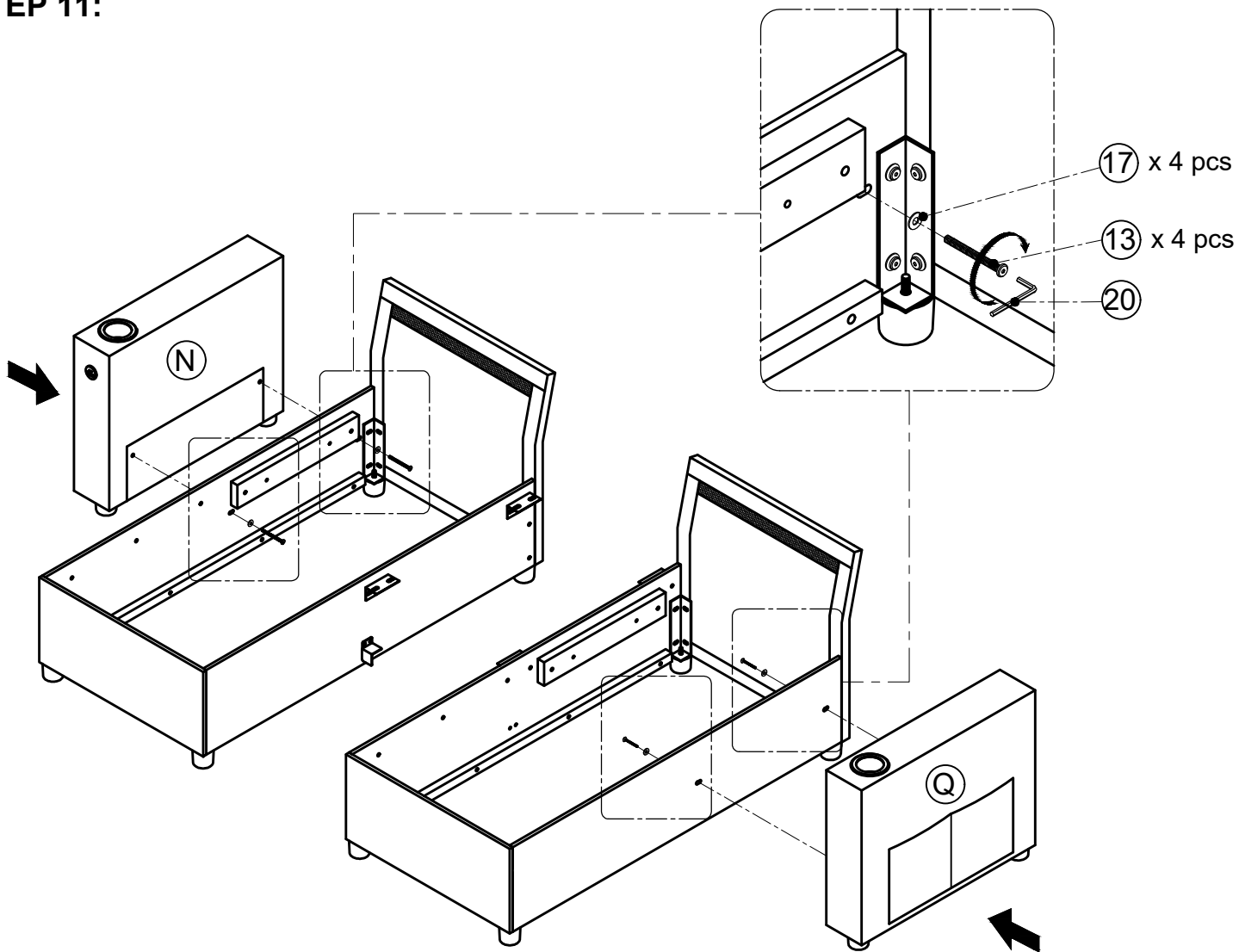
**STEP 9:**



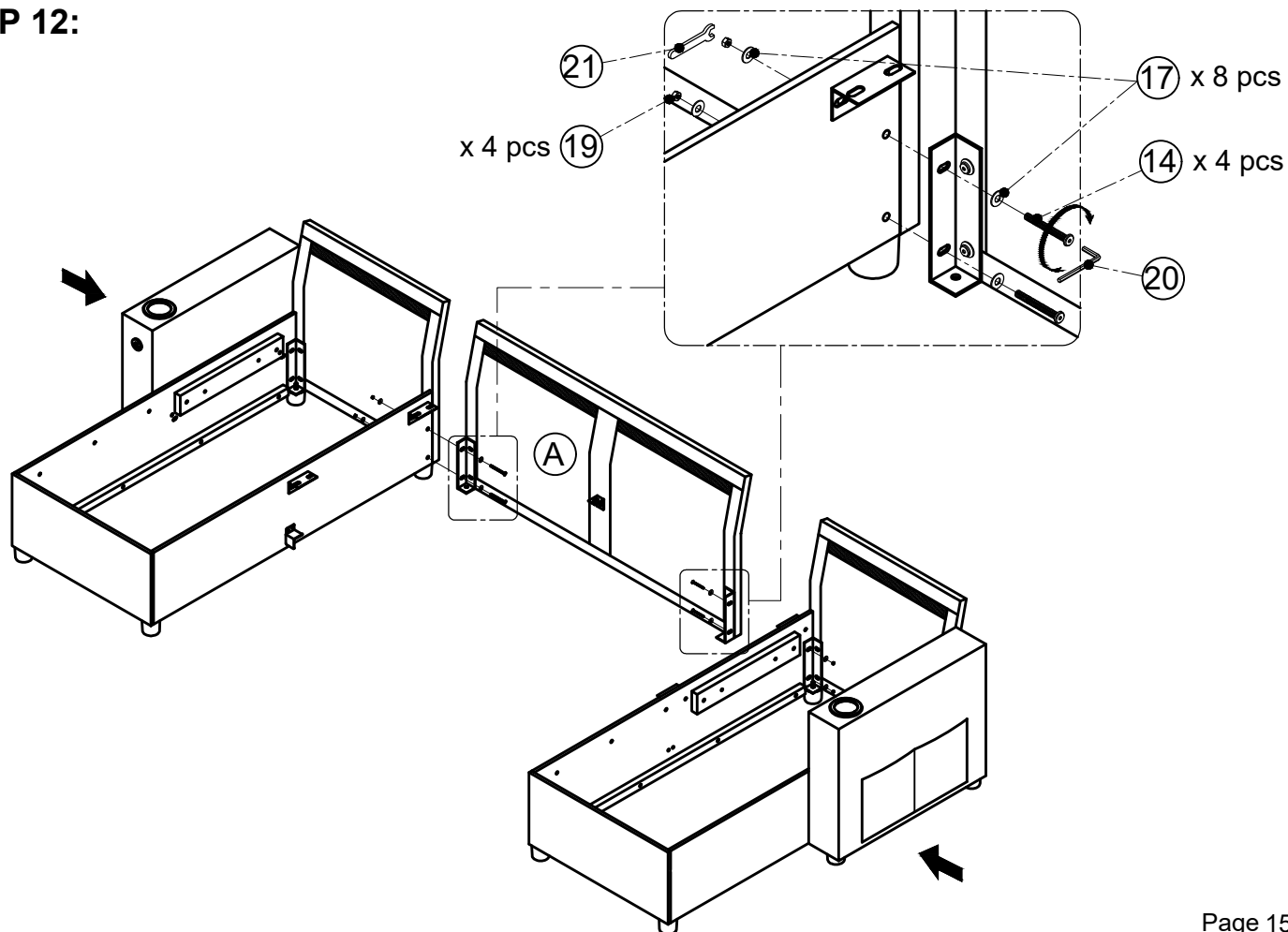
**STEP 10:**



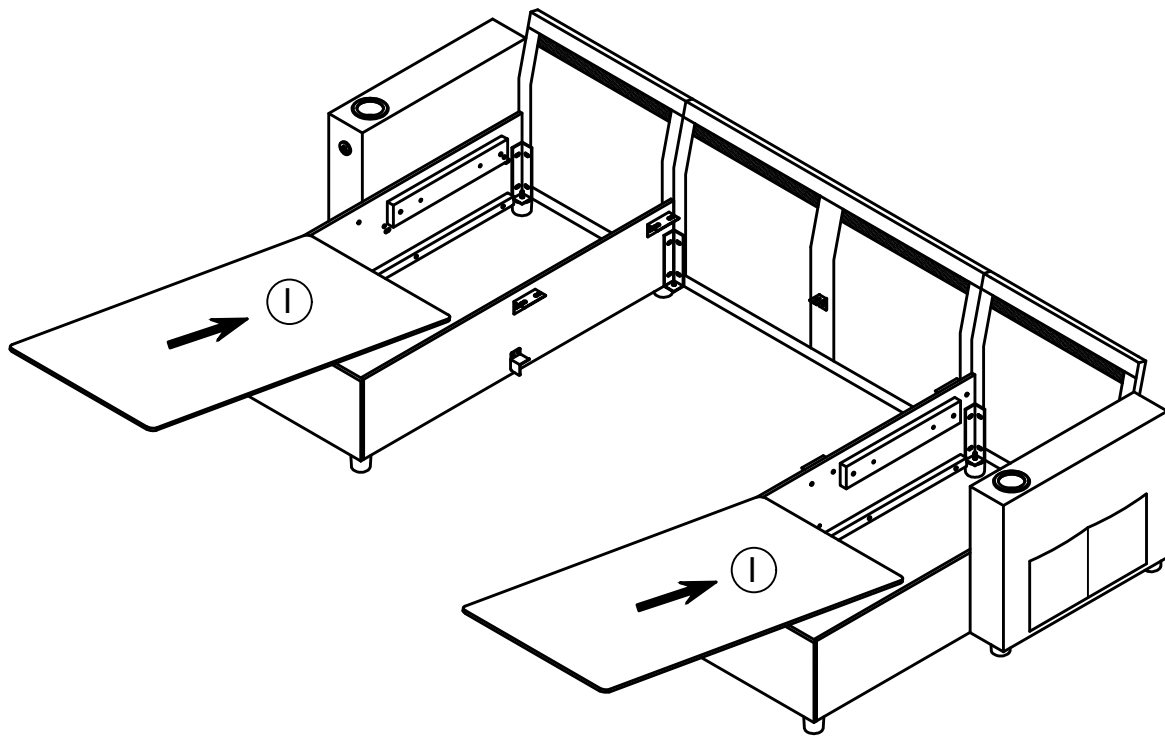
**STEP 11:**



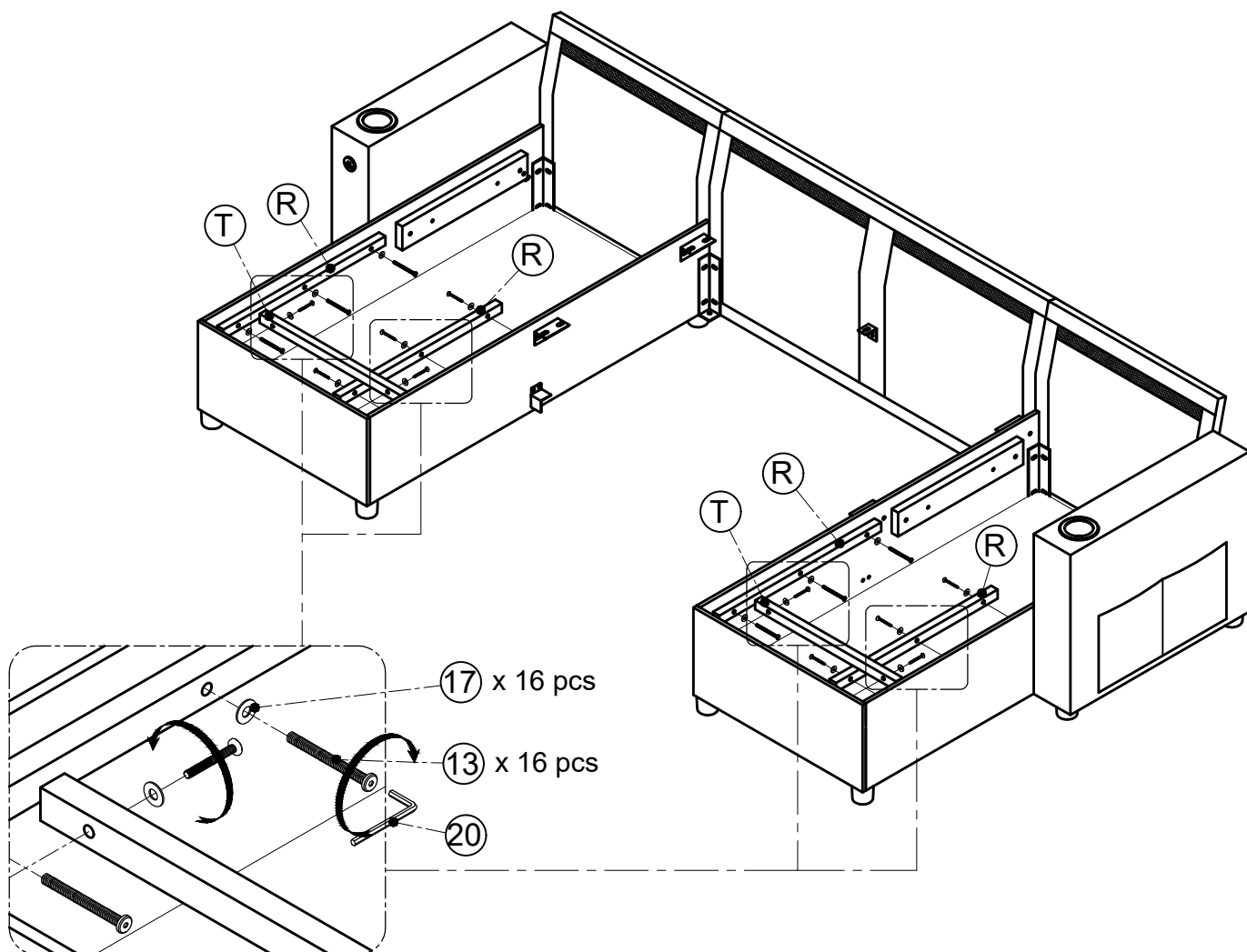
**STEP 12:**



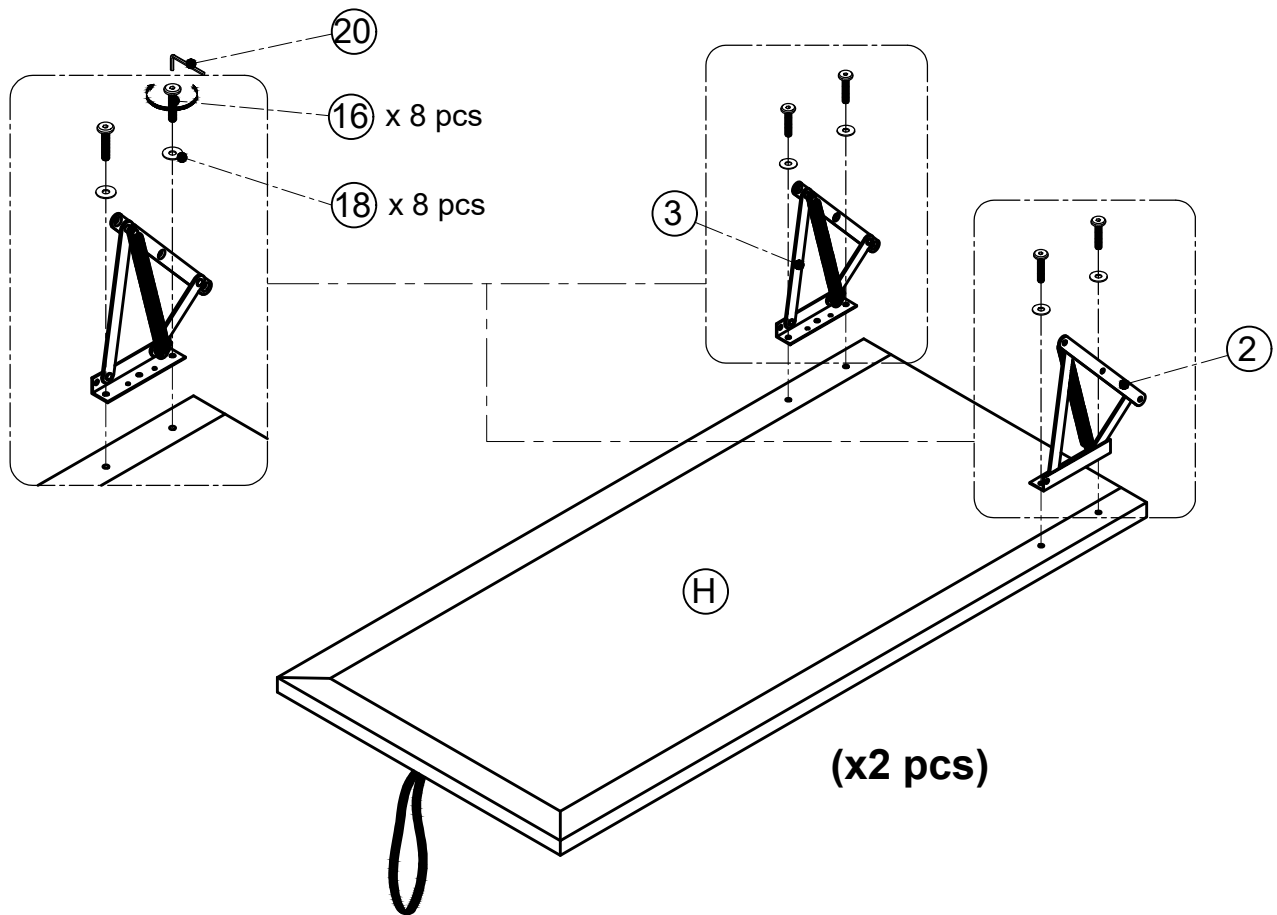
**STEP 13:**



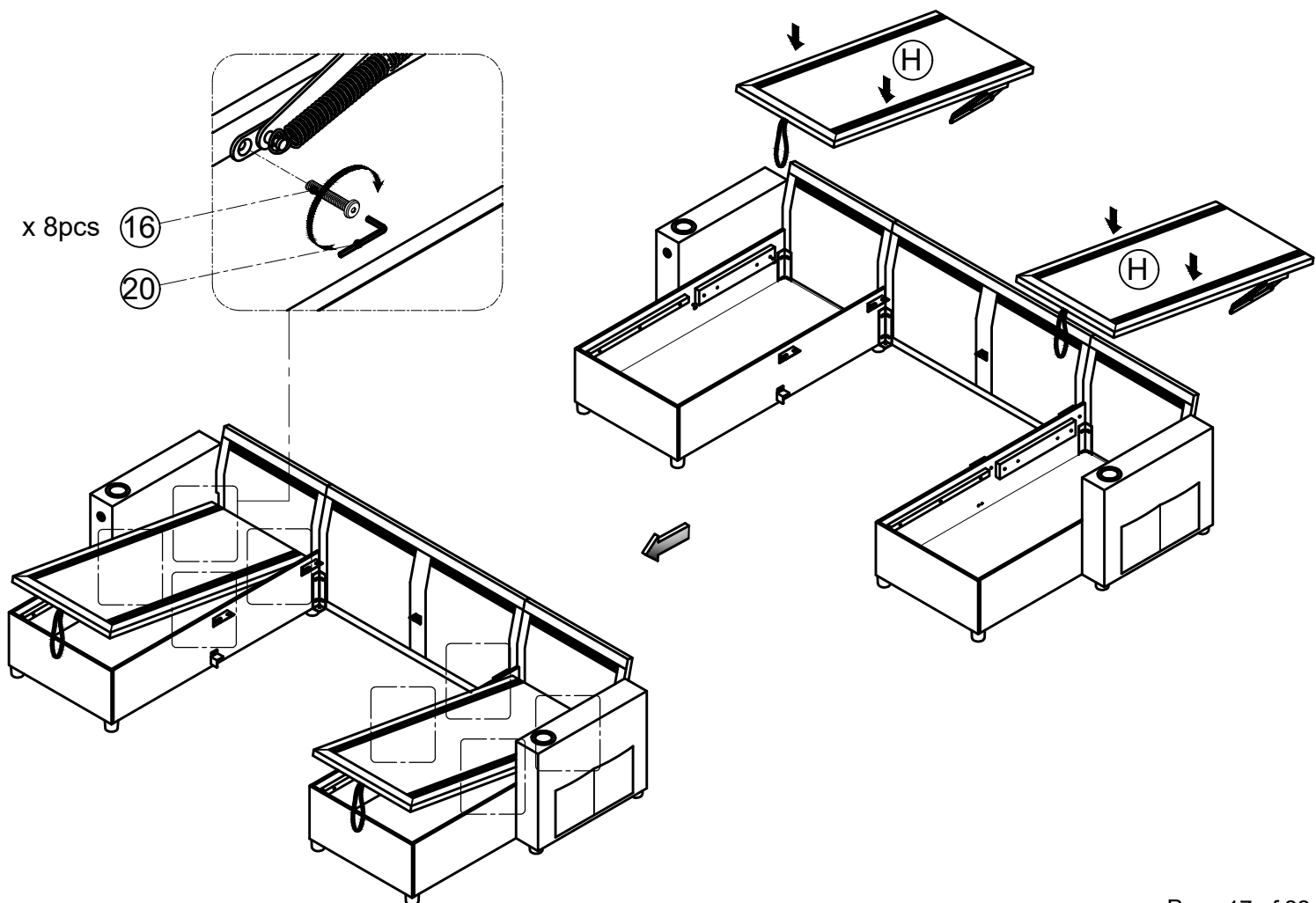
**STEP 14:**



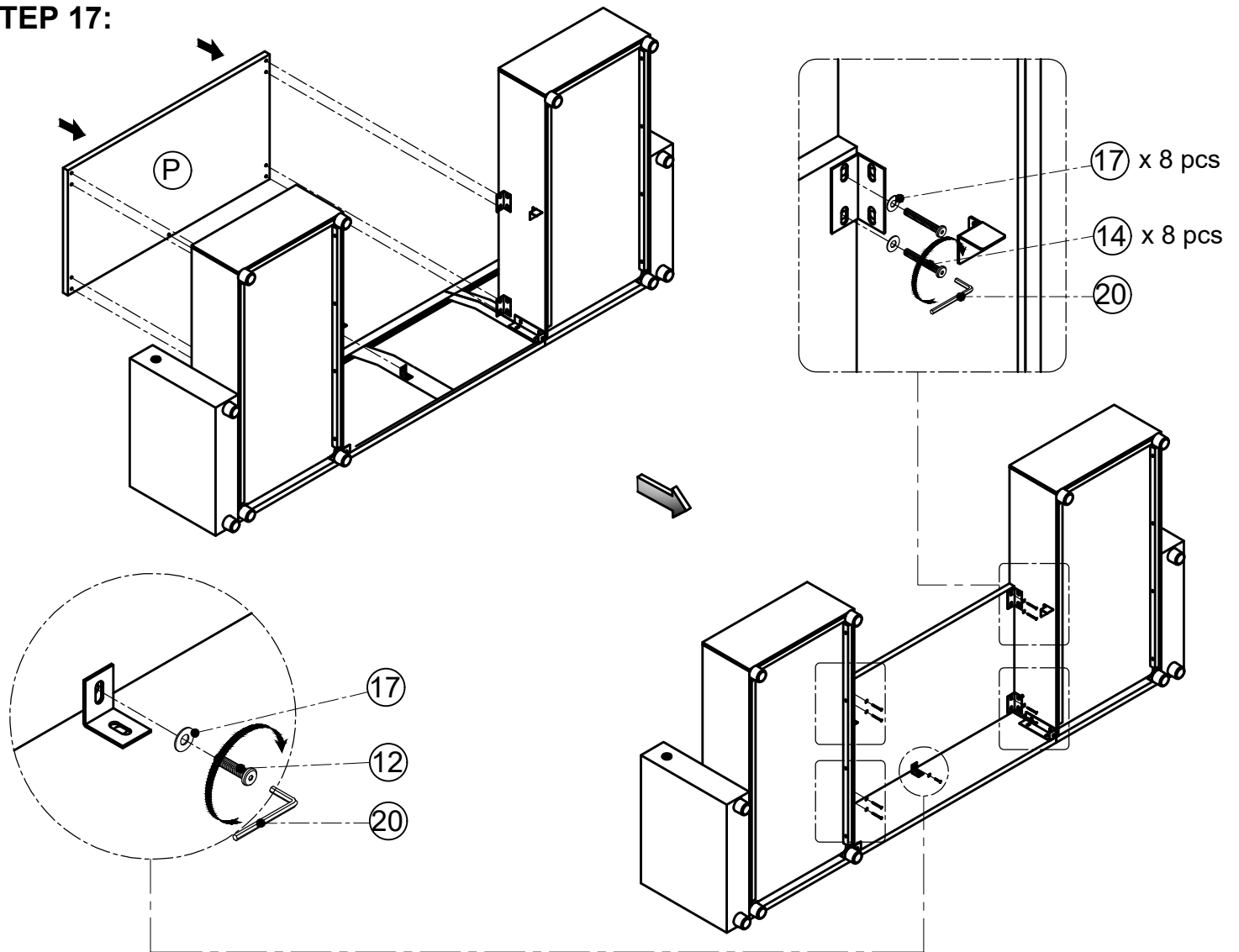
**STEP 15:**



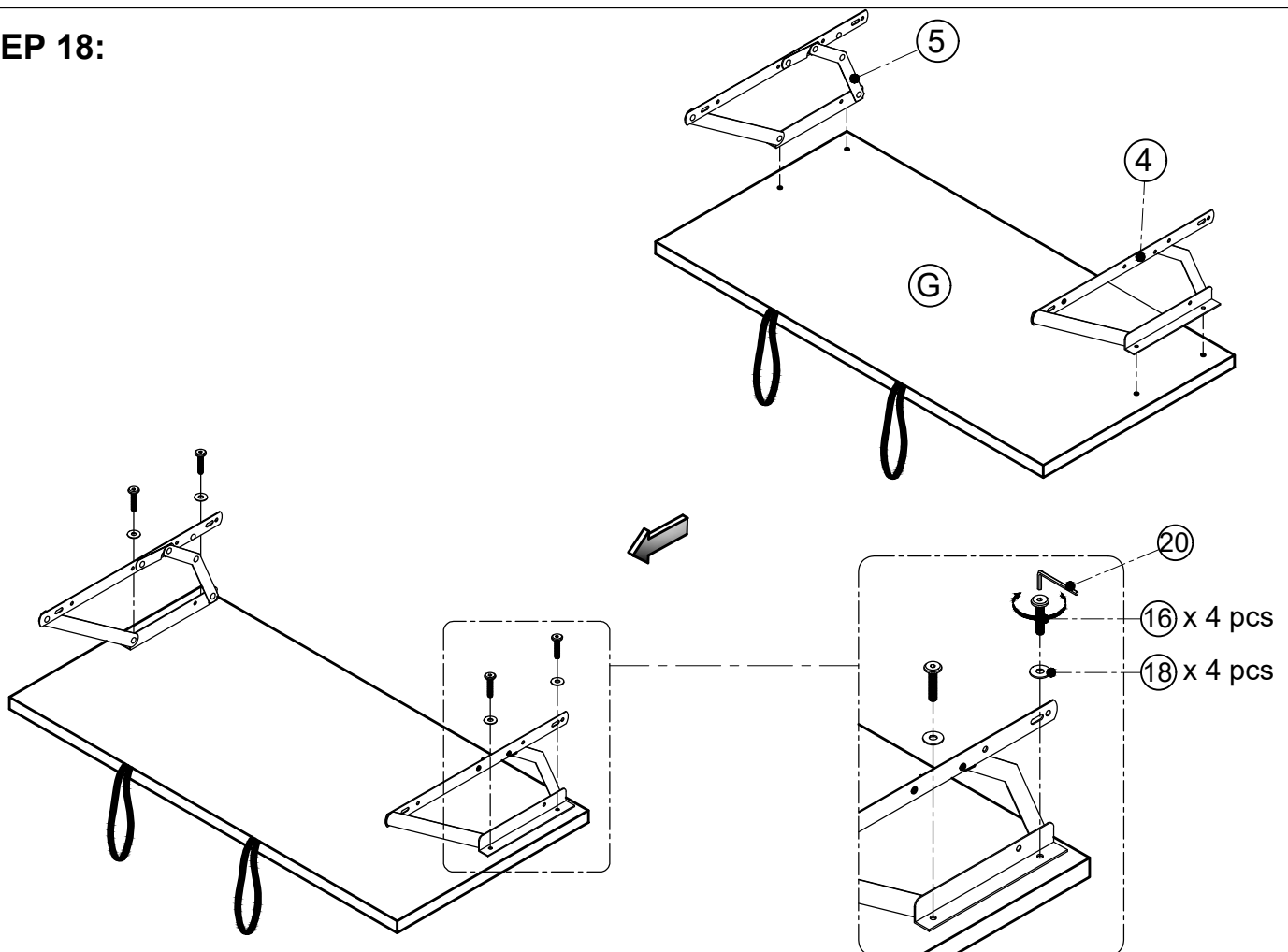
**STEP 16:**



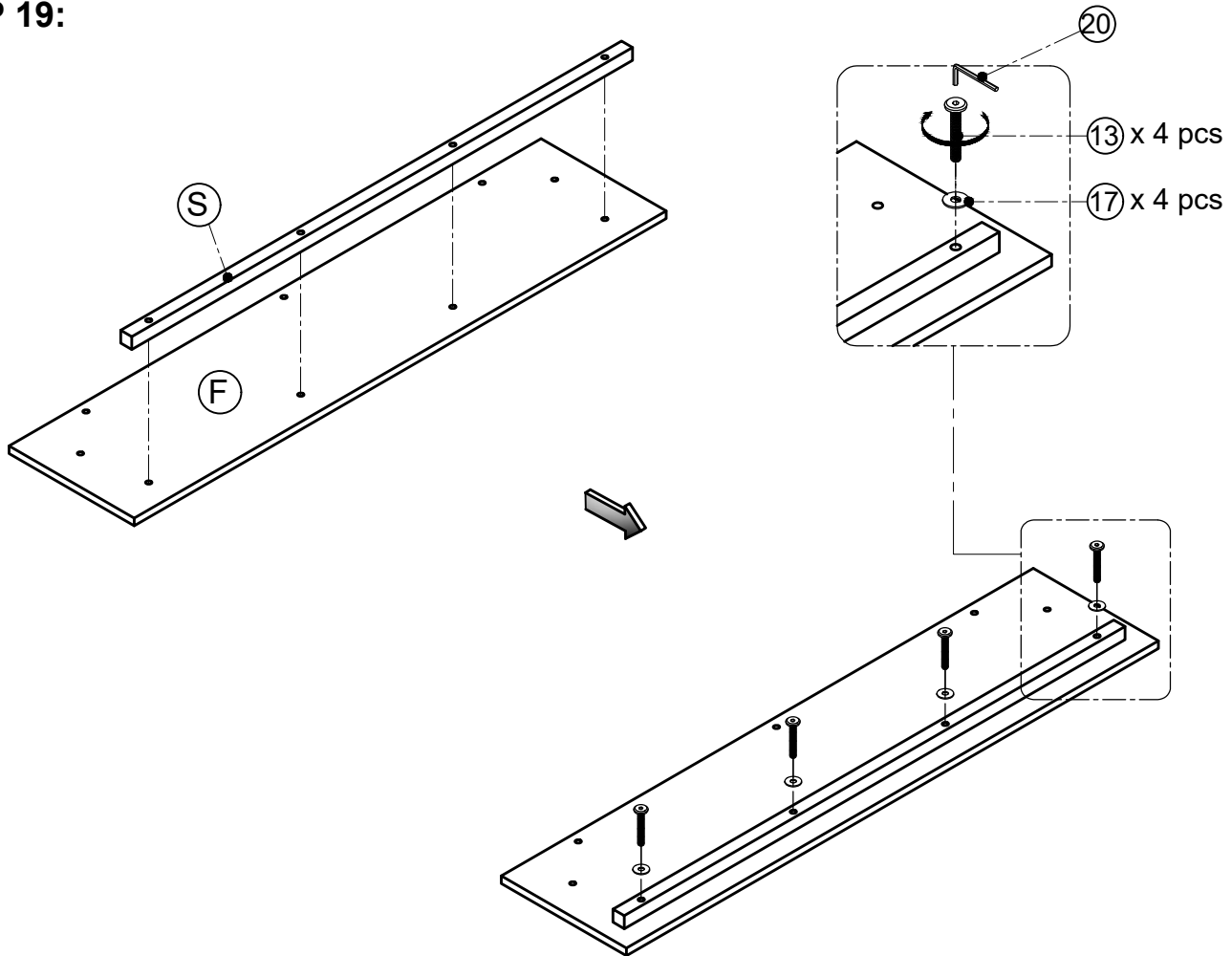
**STEP 17:**



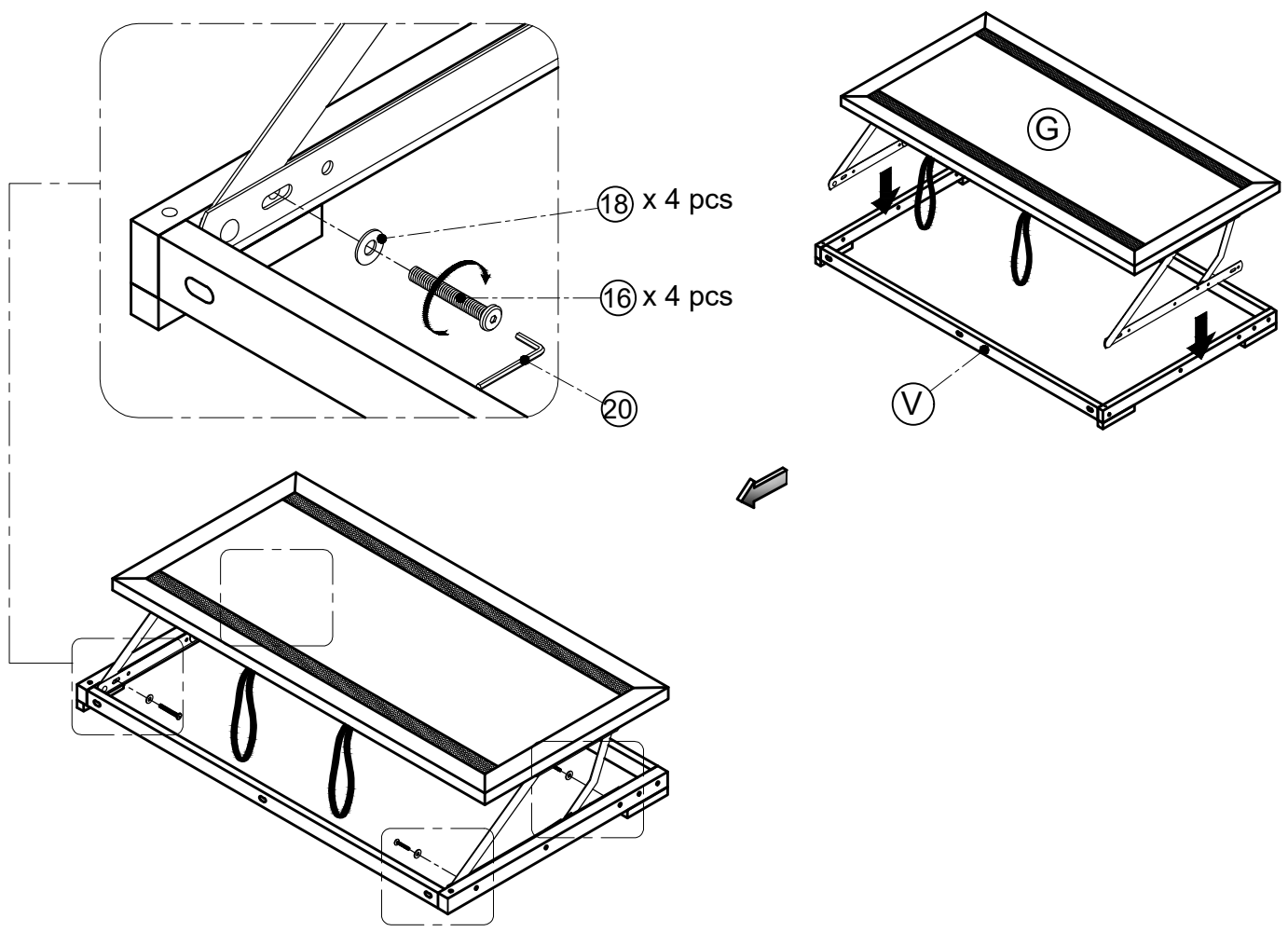
**STEP 18:**



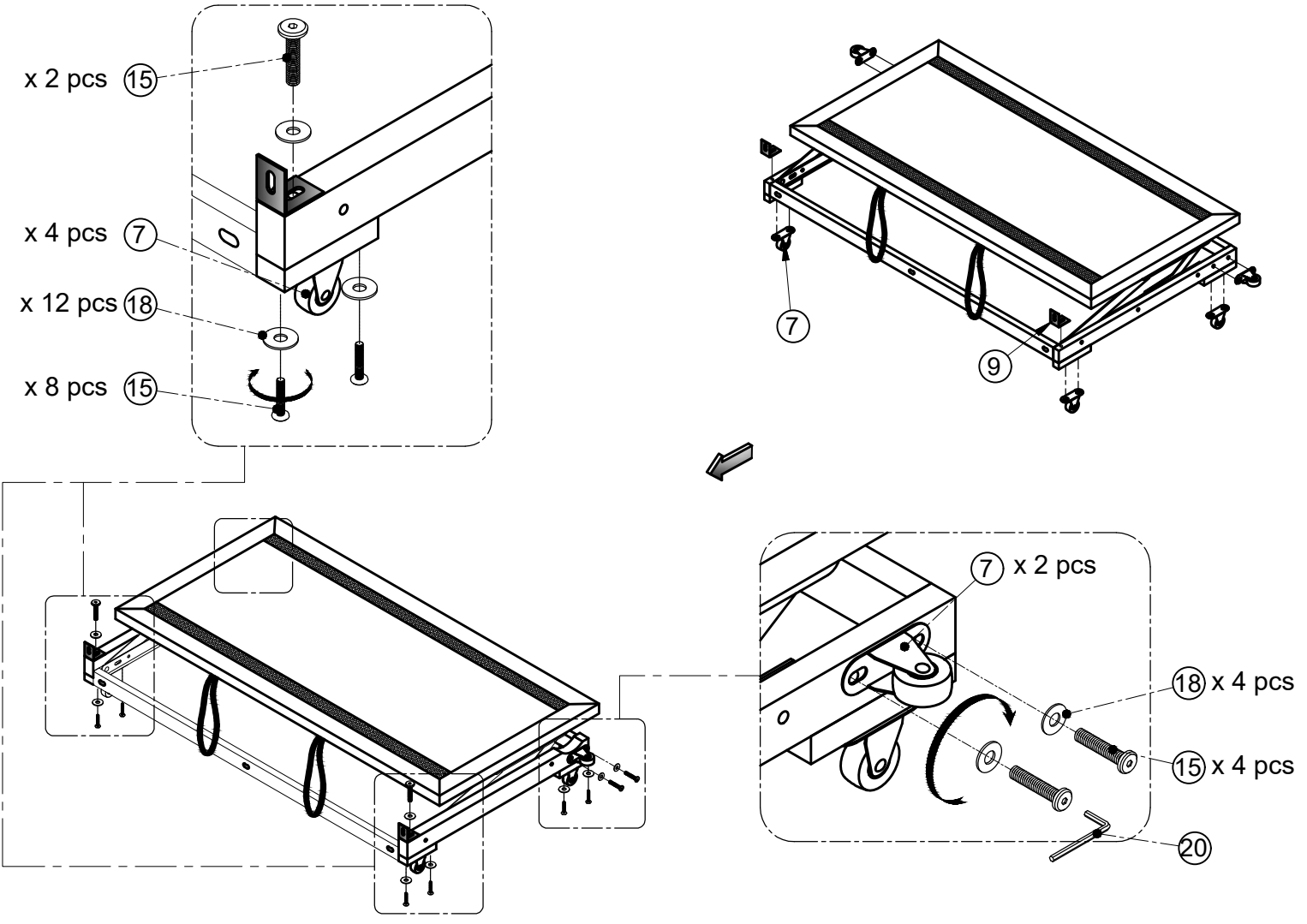
**STEP 19:**



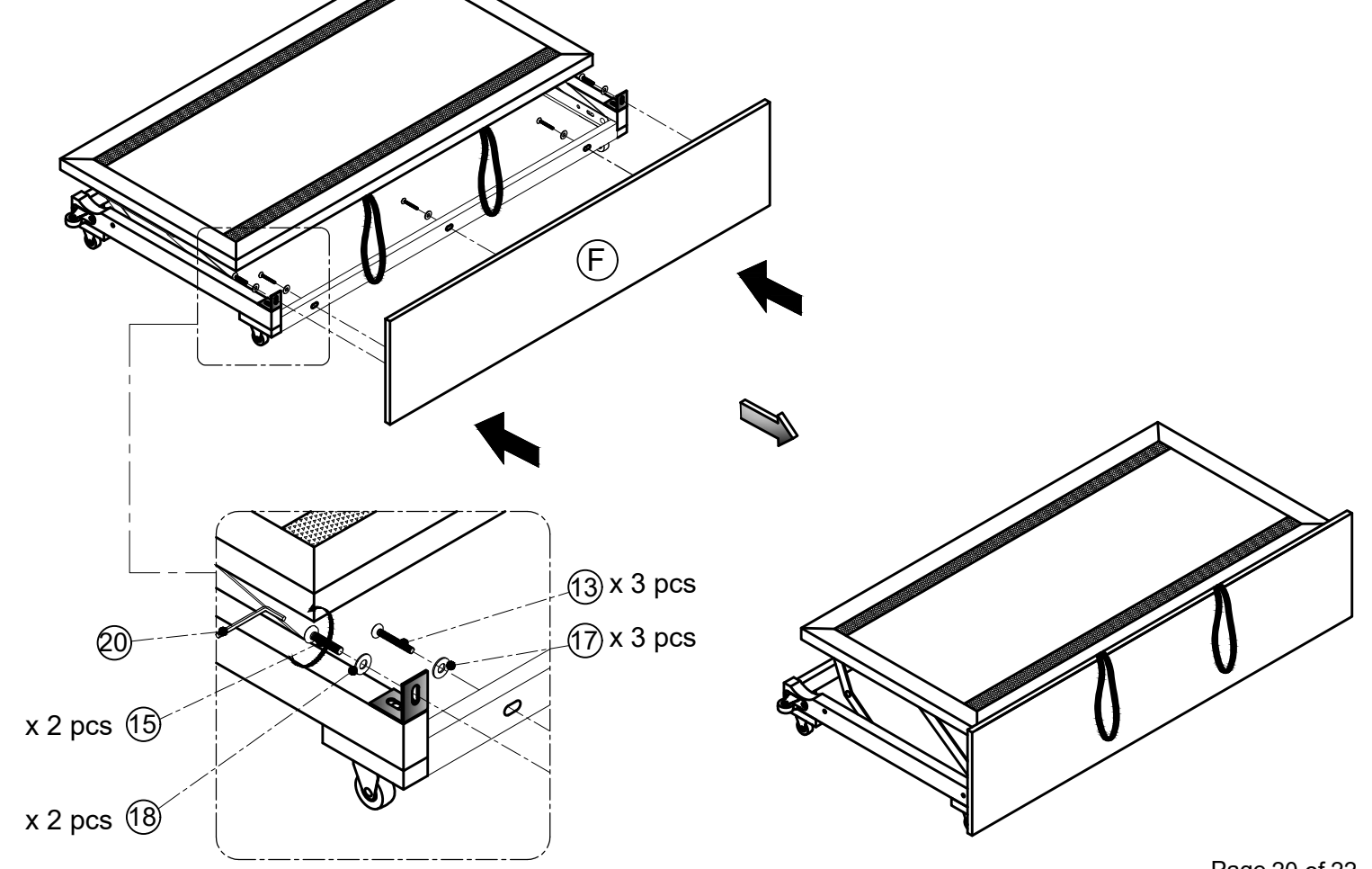
**STEP 20:**



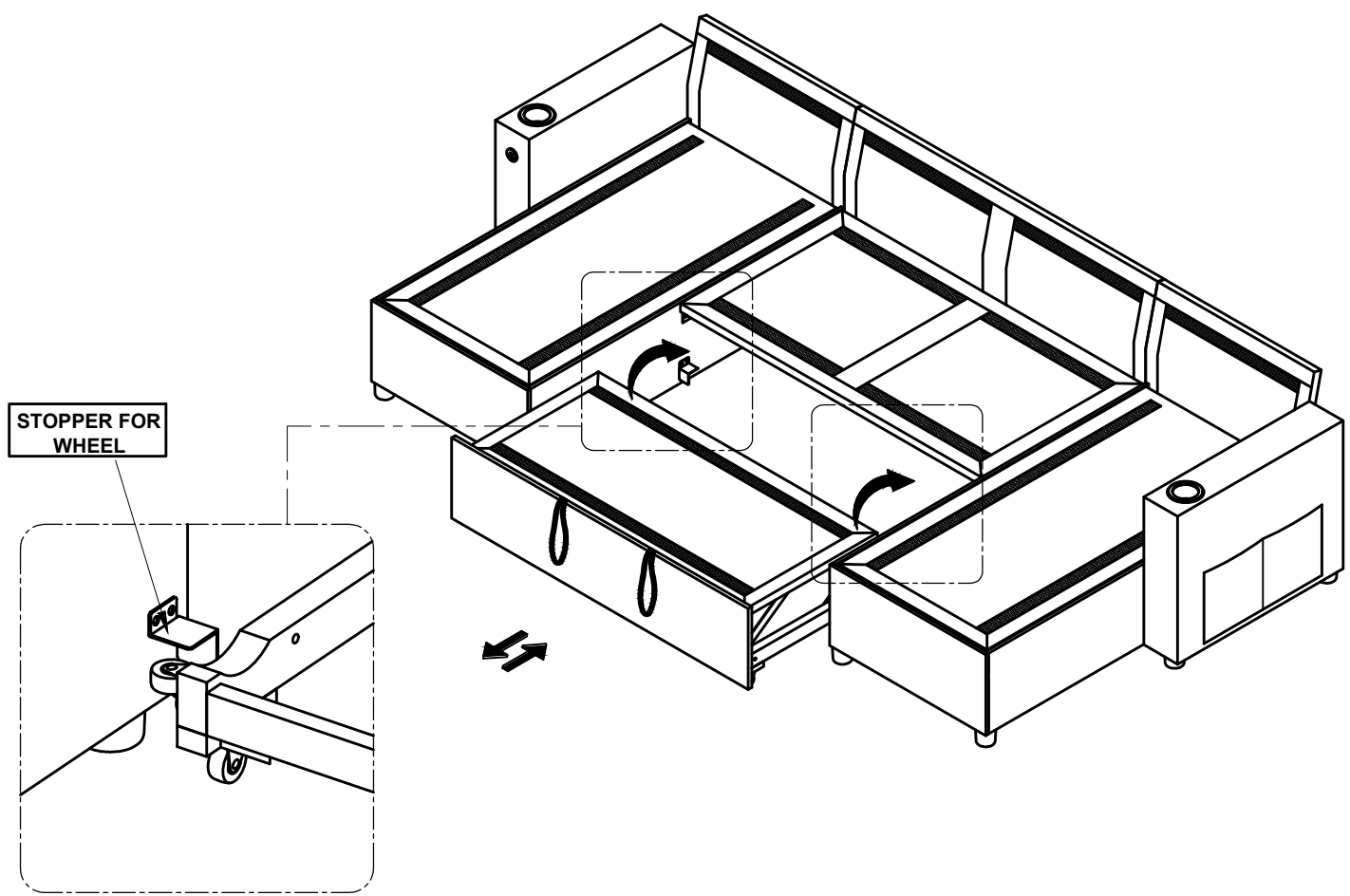
**STEP 21:**



**STEP 22:**



**STEP 23:**



## Helpful Hints

- Sofa bed can transform into a sleeper.
- Move your new furniture carefully, with two people lifting and carrying the unit to its new location.
- Your furniture can be disassembled and reassembled to move.
- Clean the product with a soft damp cloth. DO NOT use harsh chemicals or abrasive cleaners.

## COMPLETED

