

SO FIA NIGHTSTAND WITH DRAWERS

MAKE YOUR HOUSE YOUR HOME



Easy Assembly



1-2 Assembly Recommended

USE & CARE

- Wipe with a soft, damp cloth and mild cleanser; avoid harsh chemicals or abrasives.
- Do not drag sharp or heavy objects across the surface. Avoid scratching, gouging, or hitting the surface with hard objects.
- Keep away from direct sunlight, heat, or vents to prevent fading, warping, or cracking.
- Wipe spills and moisture immediately to prevent damage.
- Use coasters or mats for hot or cold items.
- Avoid placing liquids inside drawers and keep contents dry to protect the internal structure.

WARNING – SAFETY INFORMATION

- Assemble the nightstand on a smooth, level, and soft surface to prevent scratches or damage. Ensure all components and hardware are present before discarding packaging.
- Use only the provided or compatible hardware; incorrect parts may cause structural damage or instability.
- Keep small parts away from children. Adult supervision is required during assembly.
- Follow all assembly instructions carefully. Improper assembly and usage may result in injury or product damage, and the manufacturer will not be responsible for issues caused by incorrect assembly. Tighten screws securely, but avoid overtightening.
- Do not exceed the maximum weight limits for the top surface or drawers. Always distribute weight evenly inside each drawer to prevent misalignment and structural damage.
- Open and close drawers gently. Do not force, slam, or pull out multiple drawers at once to prevent damage or tipping.
- Pay attention to your hands when opening drawers to avoid injury.
- Place the nightstand on a level, stable surface. Verify feet, supports, and components are correctly positioned. Check stability periodically, especially after moving or adjusting drawers.
- Do not sit, stand, climb, lean, or place weight on the top of the nightstand. Pay attention to children to prevent climbing or pushing the nightstand.
- Do not attempt unauthorized modifications or repairs. Inspect and clean periodically to ensure long-term durability.



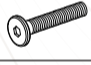


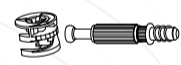

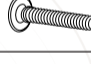


WARRANTY INFORMATION

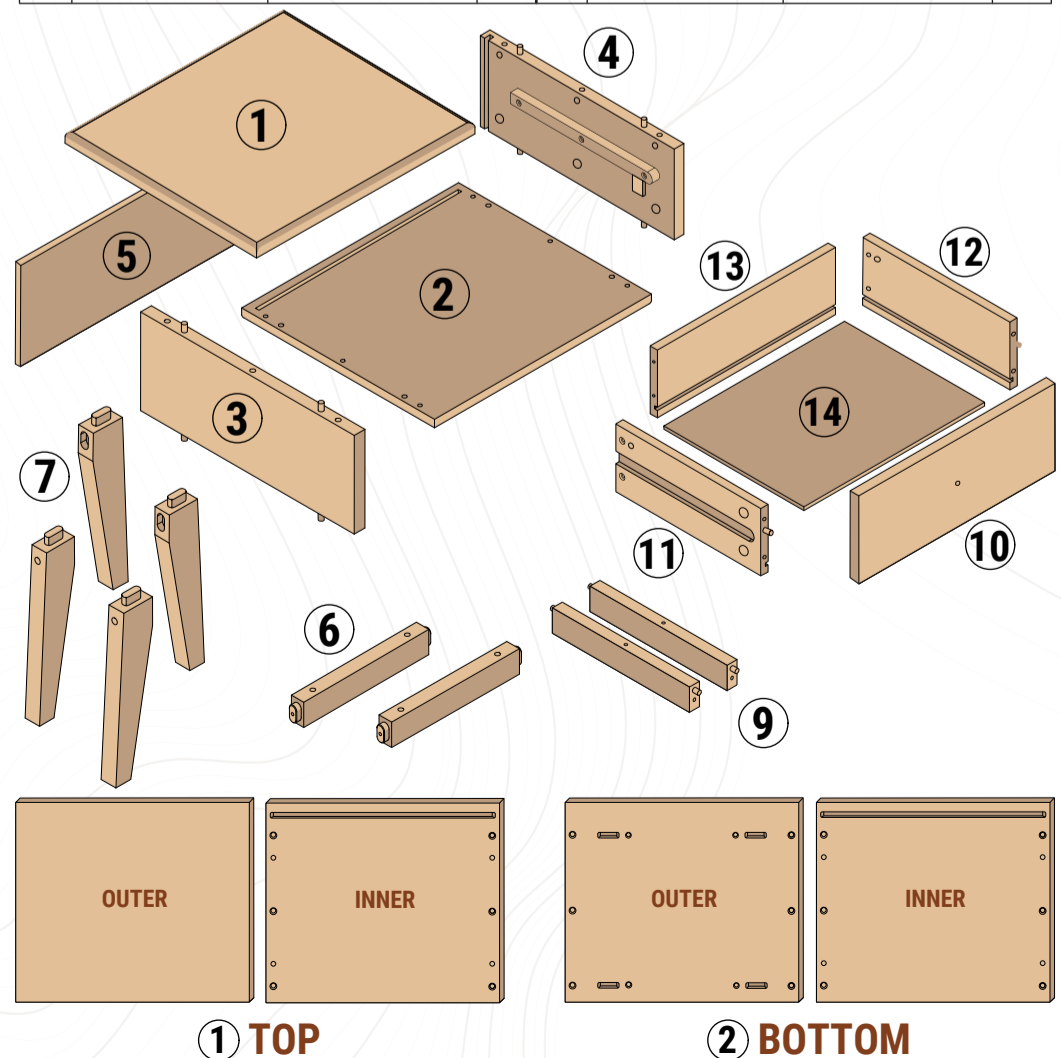
- Warranty covers defects in materials or workmanship under normal use
 - Valid only for the original purchaser and for products bought from authorized retailers.
- Not covered: normal wear, misuse, accidents, improper care, unauthorized repair, or modification. We are not liable for indirect, incidental, or consequential damages. Proof of purchase and photos of defects are required for claims. Replacement or repair will be provided at our discretion after verification.

You can find full details about our satisfaction guarantee and warranty in the product information section for your reference.

Our qualified staff is ready to assist you with any technical issues during installation or configuration—just reach out to us.

HARDWARE LIST

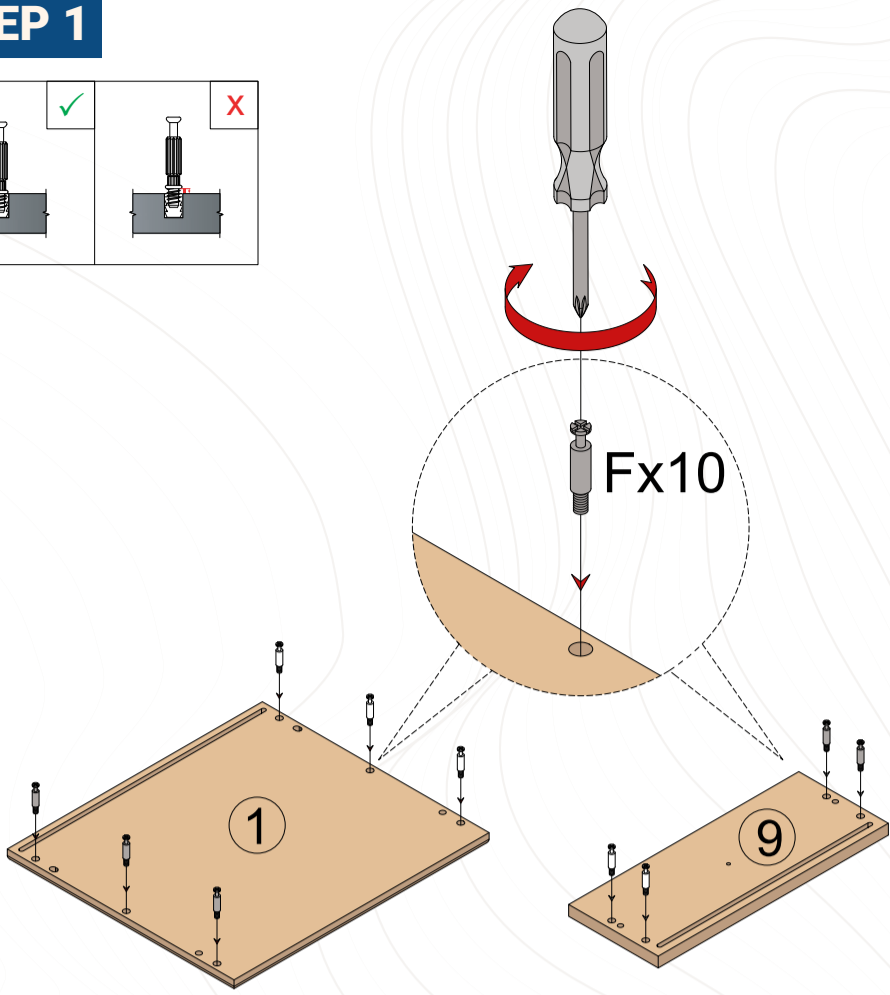
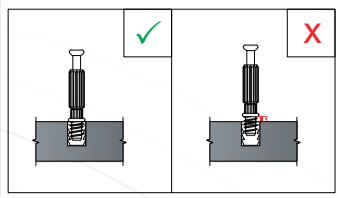
A		Ø6 x 70 BOLT	4	B		CROSS DOWEL	4
C		Ø6 x 35 BOLT	4	D		HANDLE	1
E		WOOD DOWEL	2	F		CAMLOCK	10
G		HEX HEAD WOOD SCREW M7X40	10	H		SCREW M4X30	1
I		ALLEN KEY M4	1	J		SCREW M4X40	4



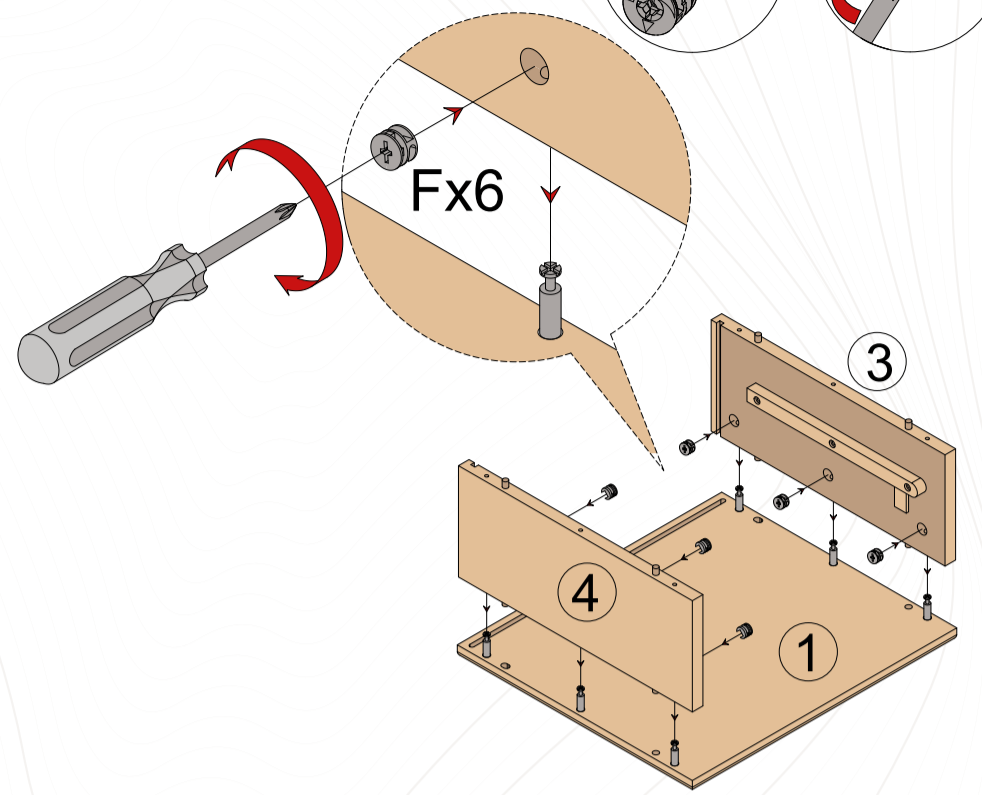
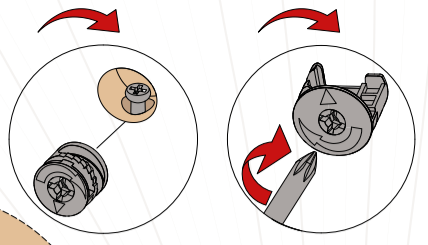
① TOP

② BOTTOM

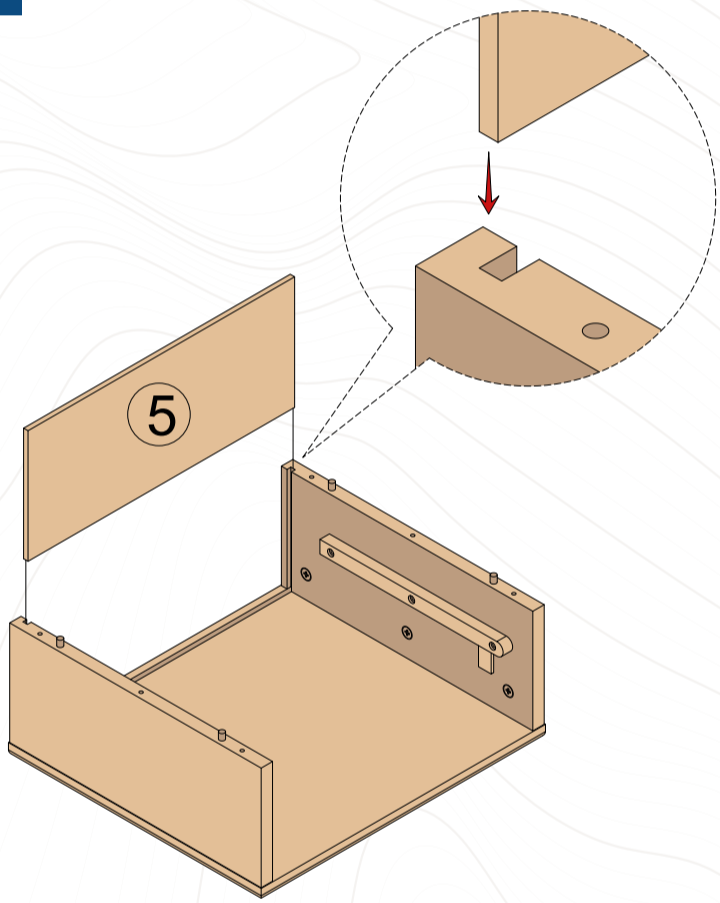
STEP 1



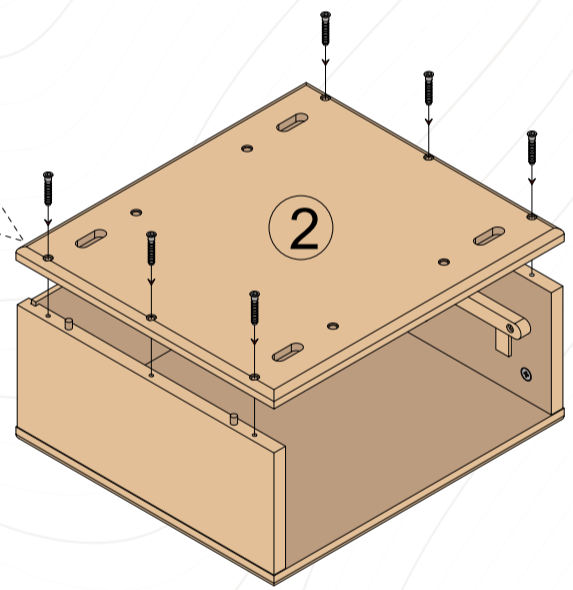
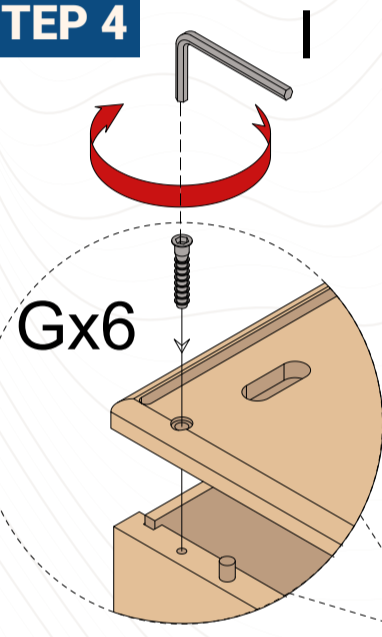
STEP 2



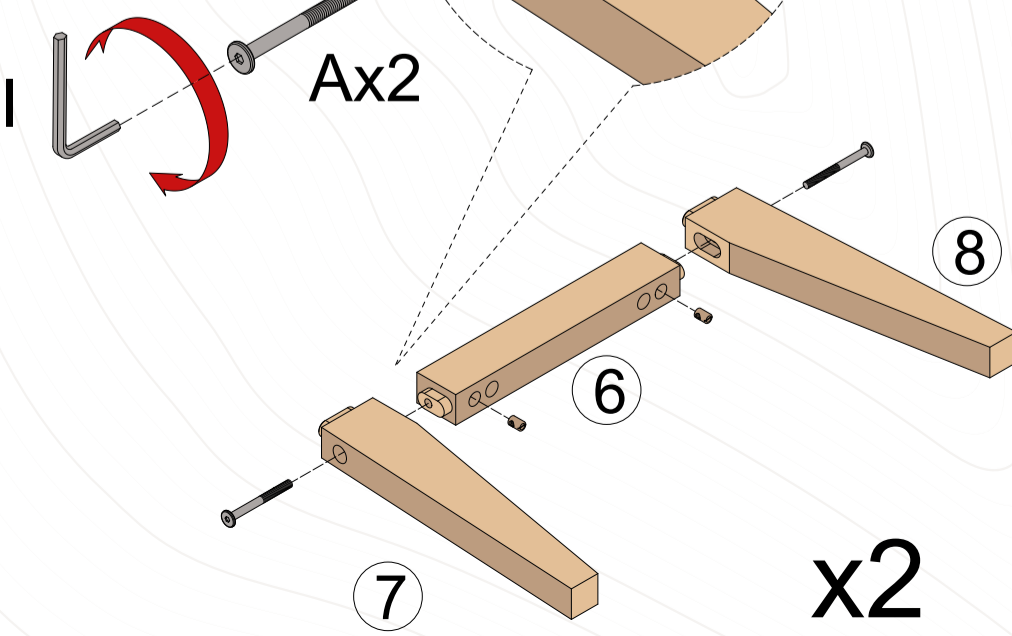
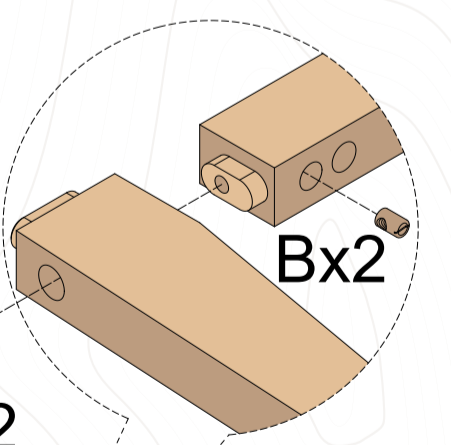
STEP 3



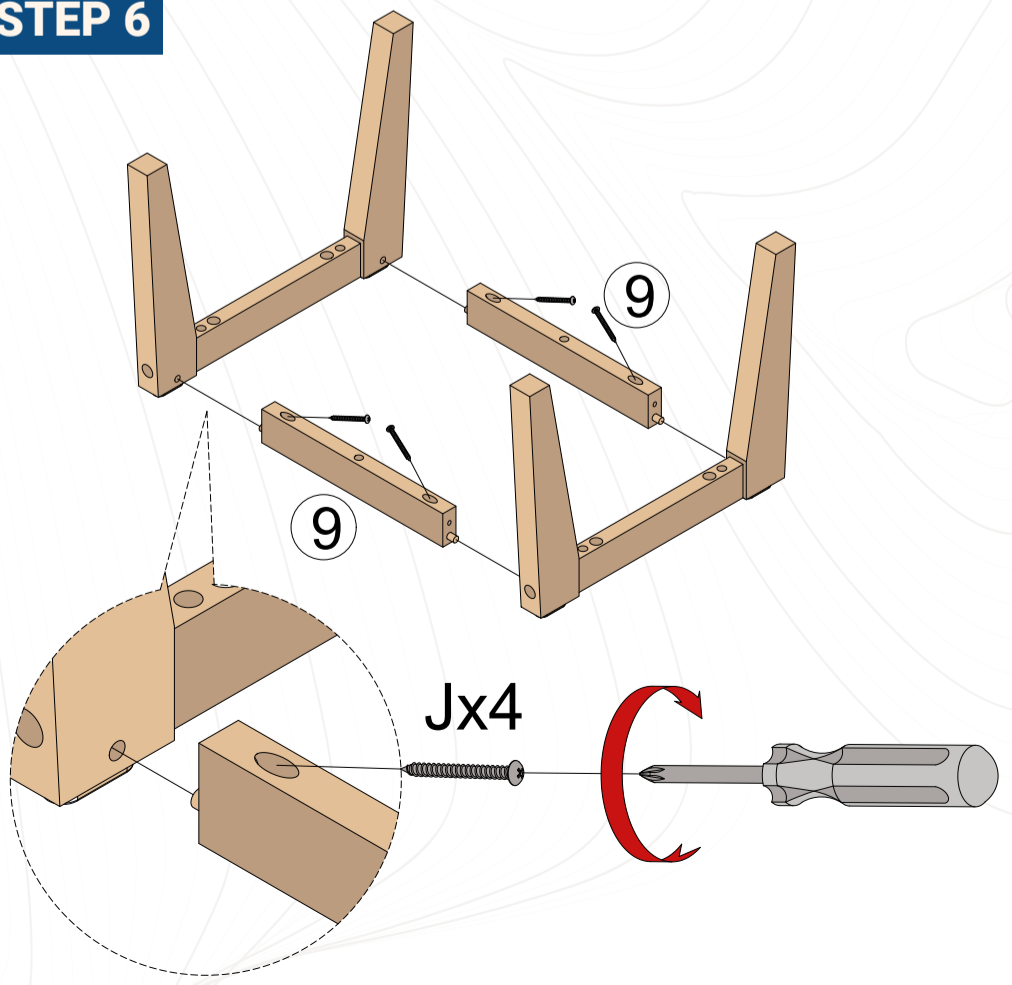
STEP 4



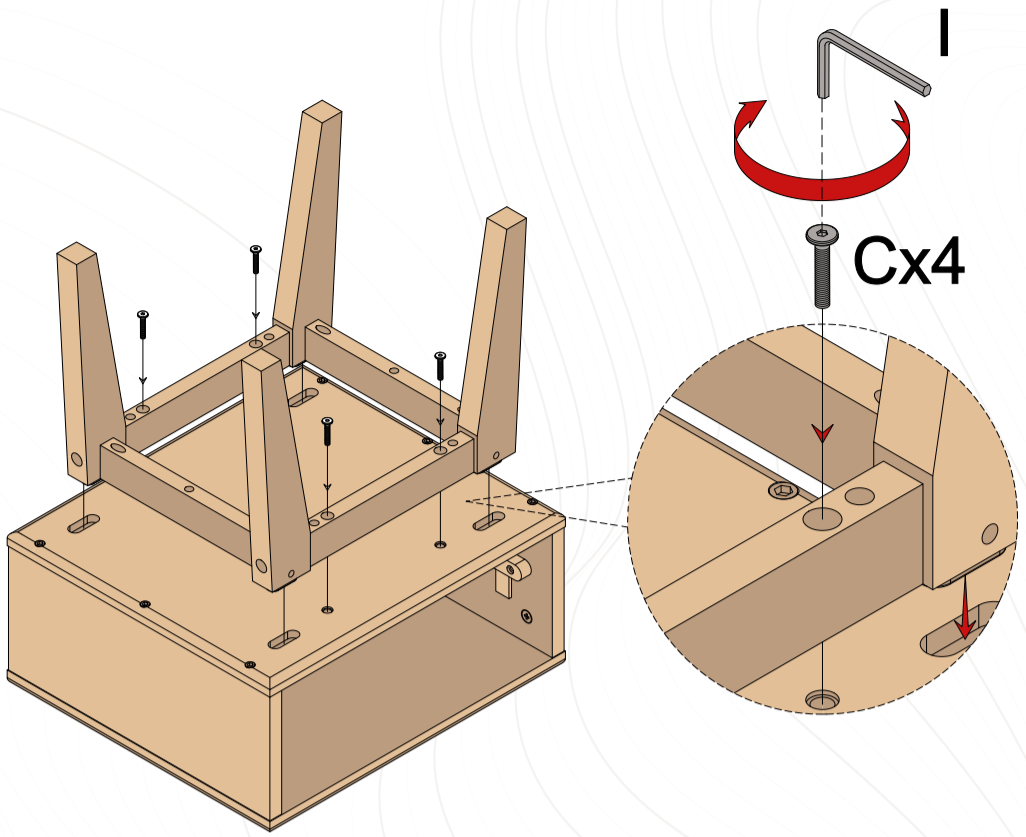
STEP 5



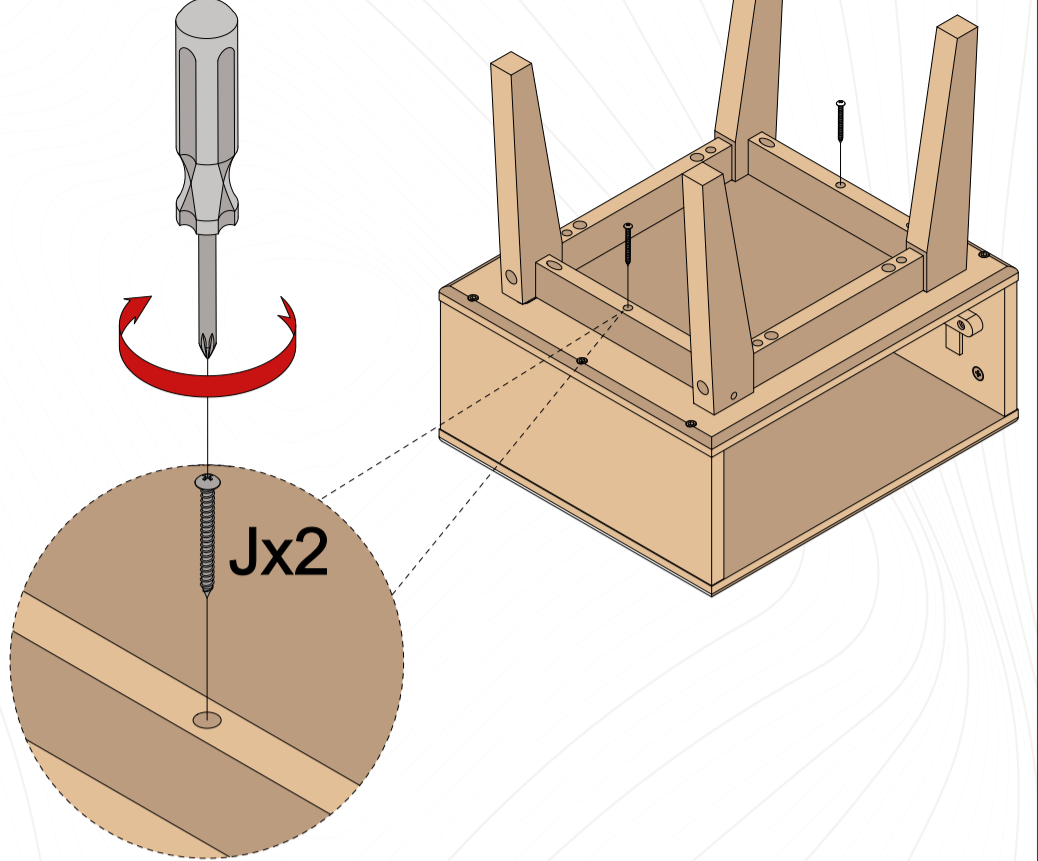
STEP 6



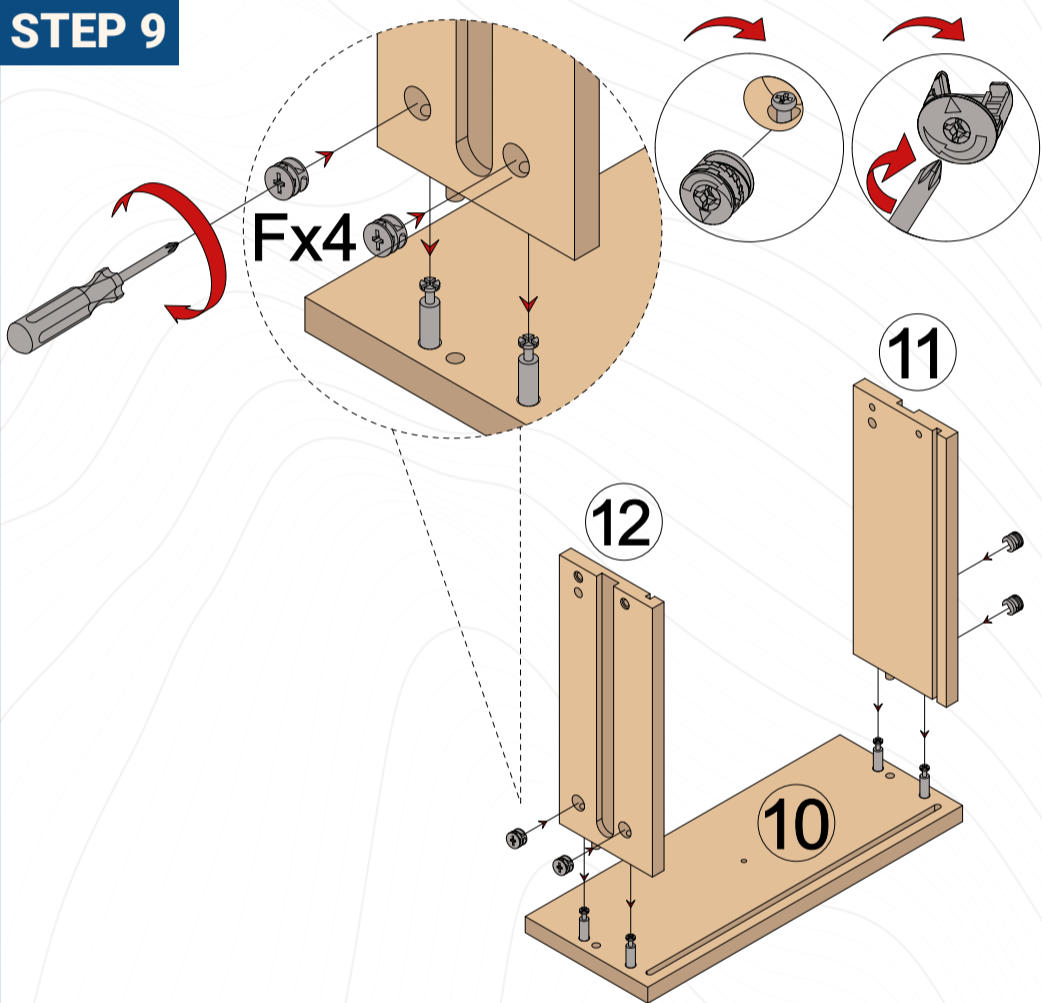
STEP 7



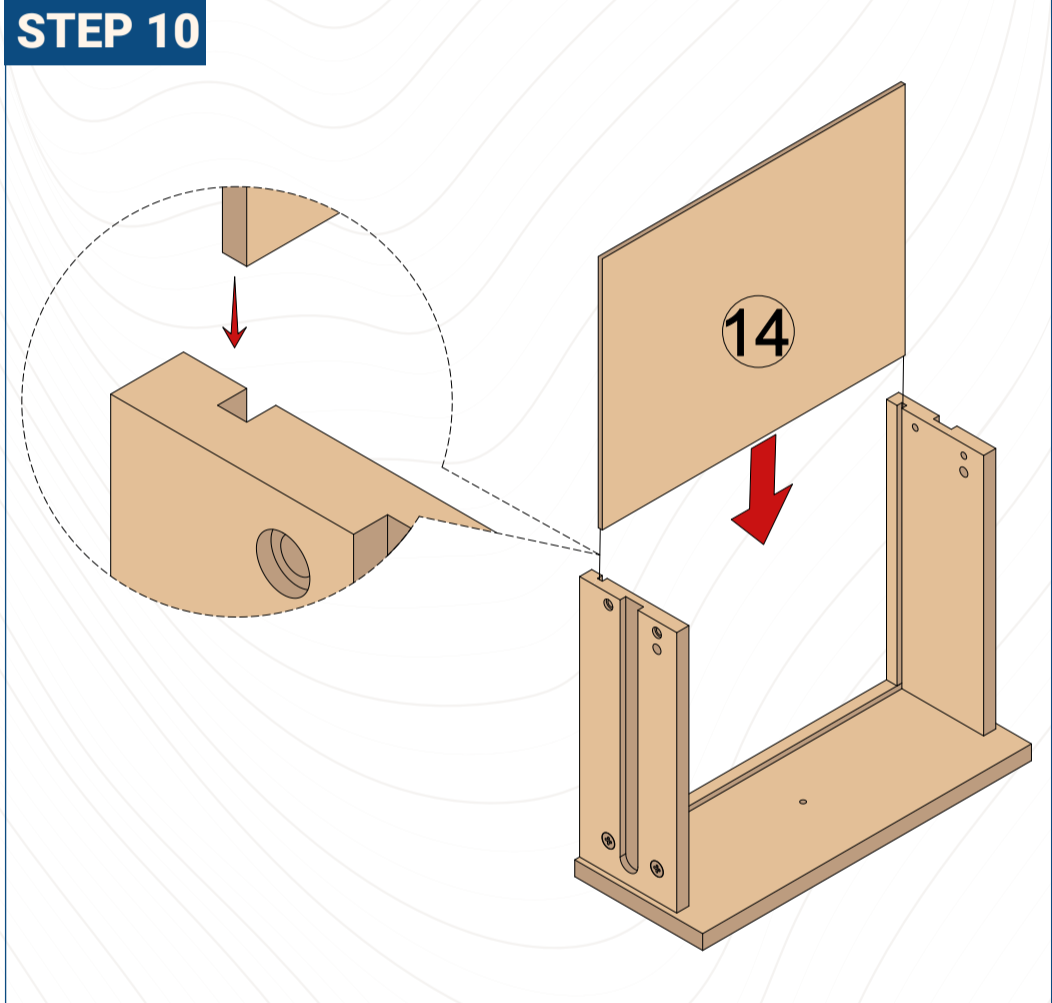
STEP 8



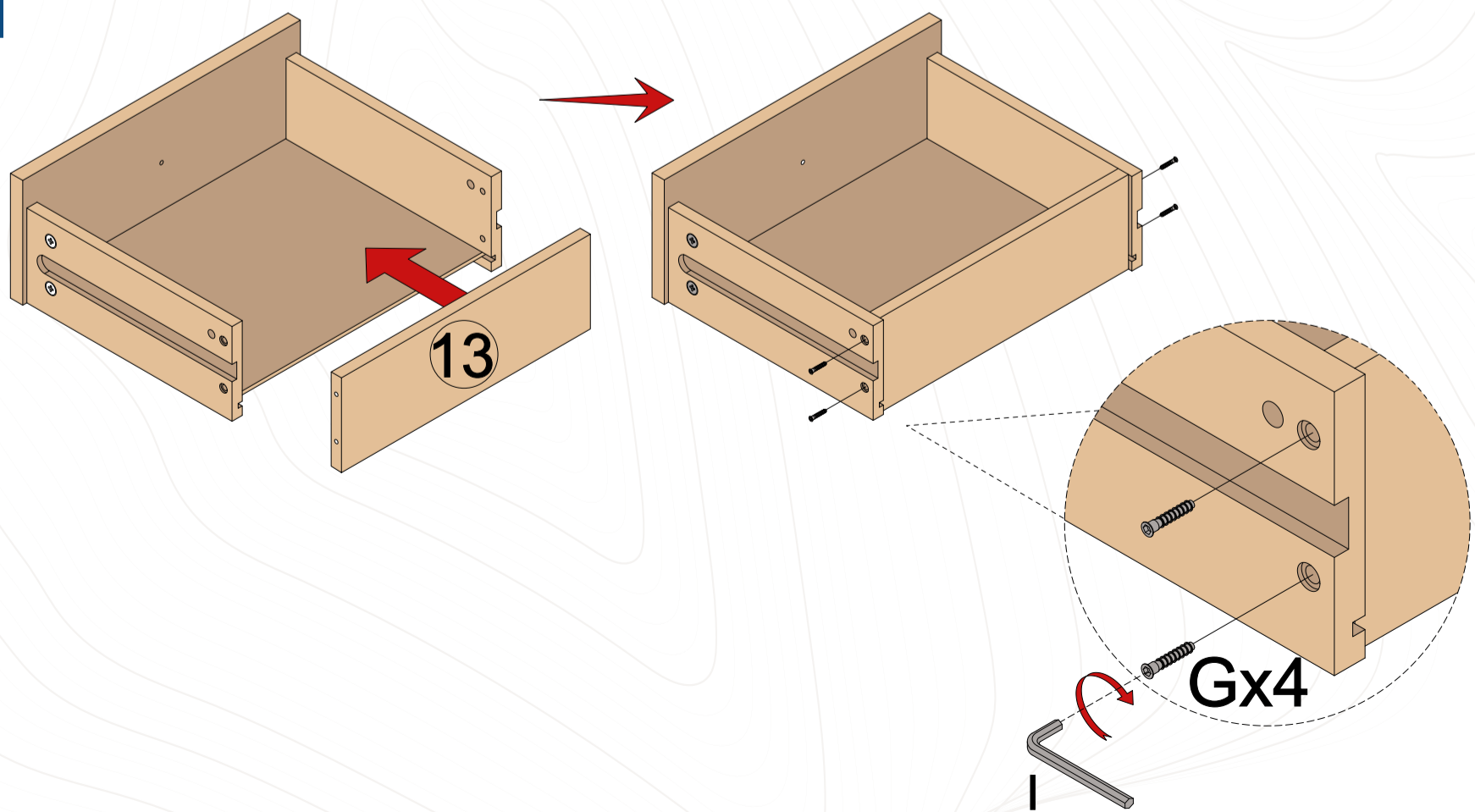
STEP 9



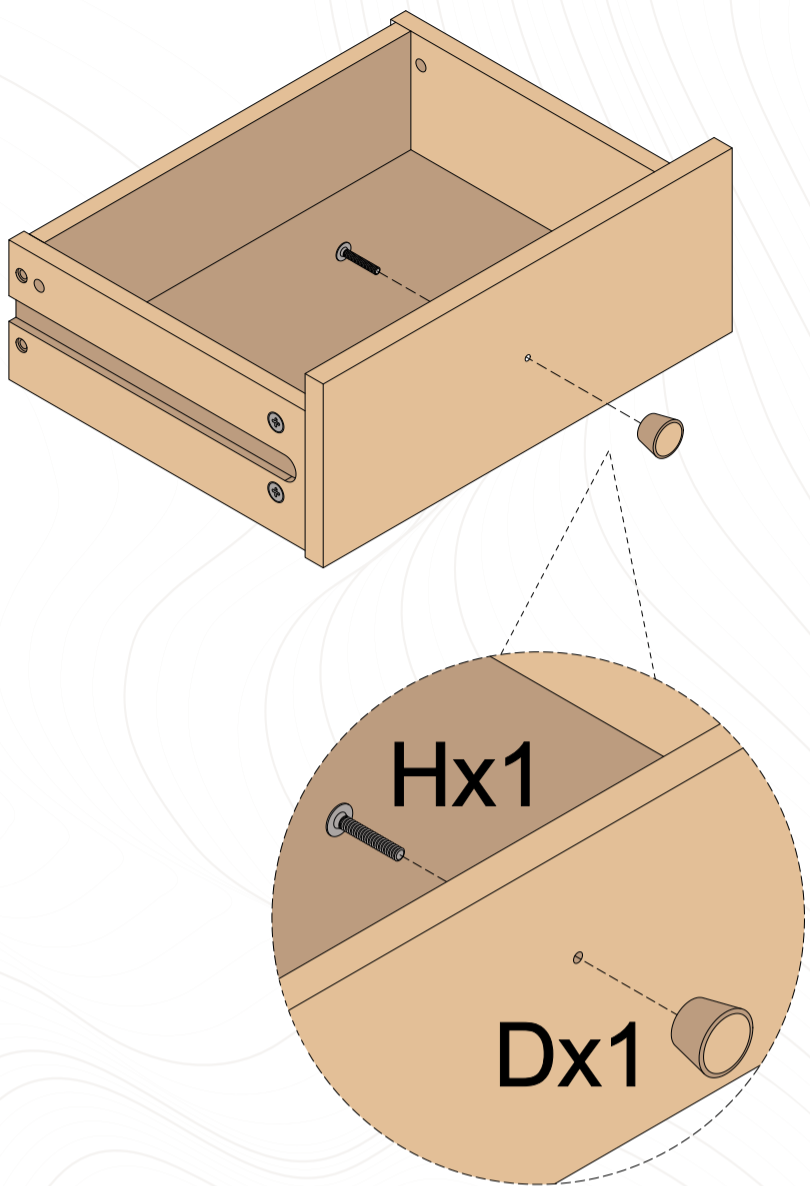
STEP 10



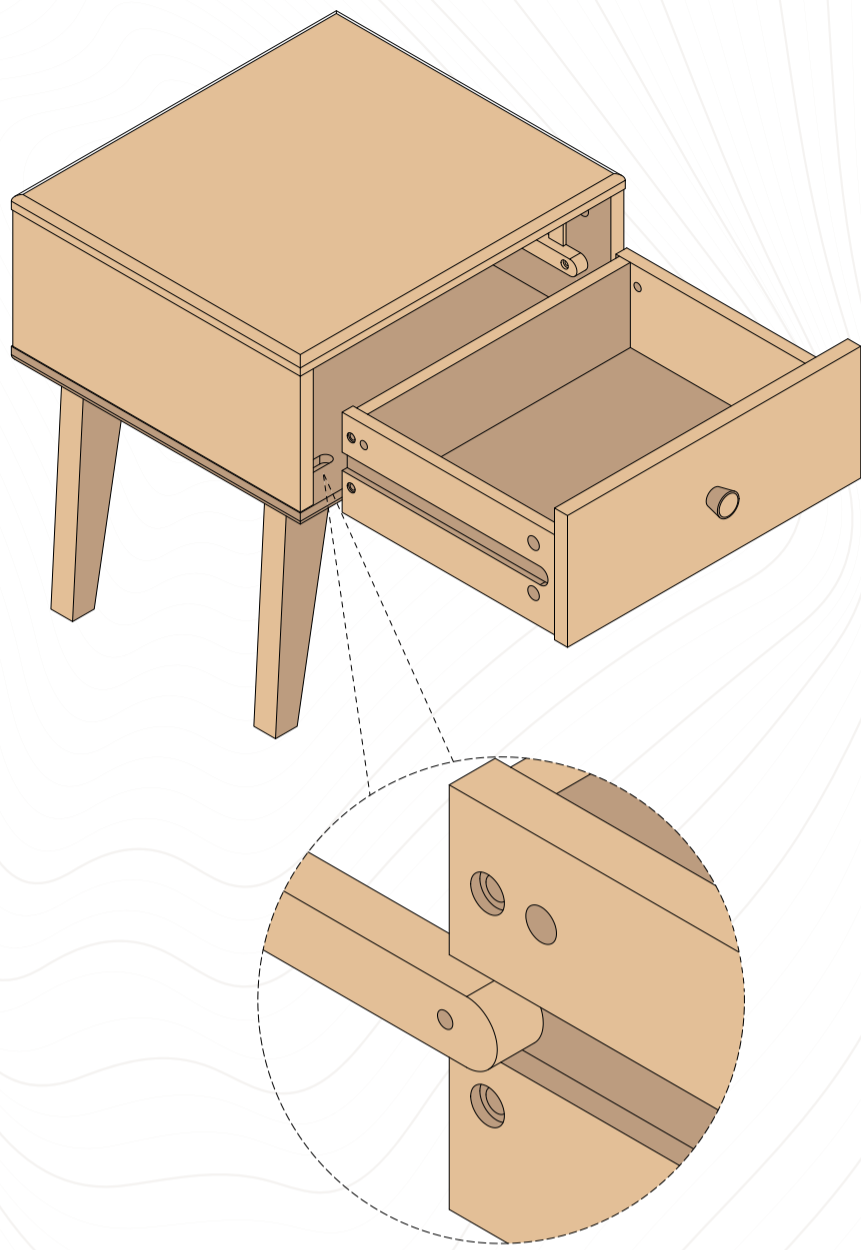
STEP 11



STEP 12



STEP 13



STEP 14

