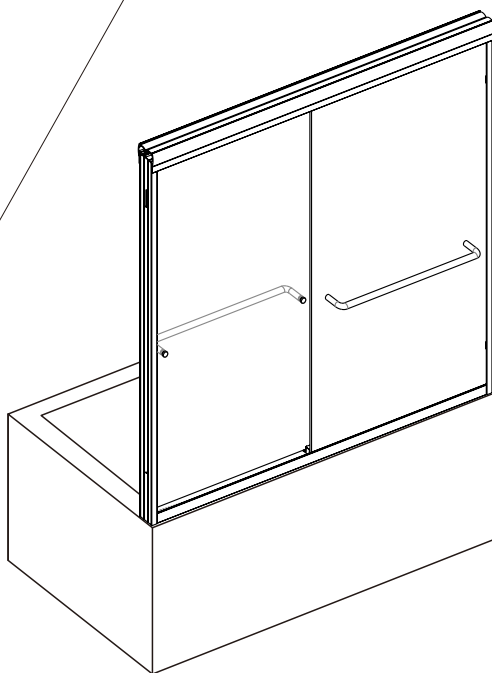
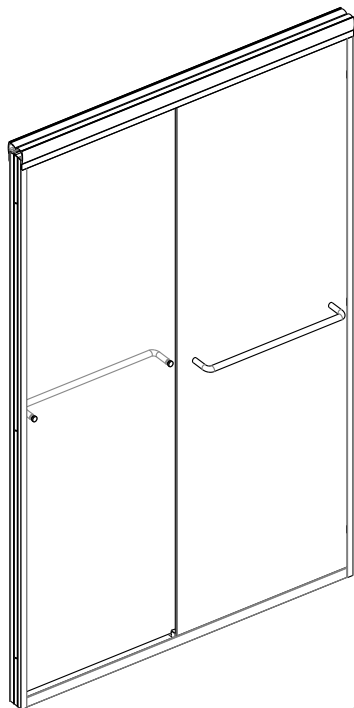



INSTALLATION INSTRUCTIONS

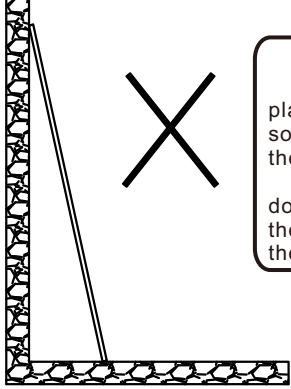


6003T-6mm

V1.2-2025-3-13



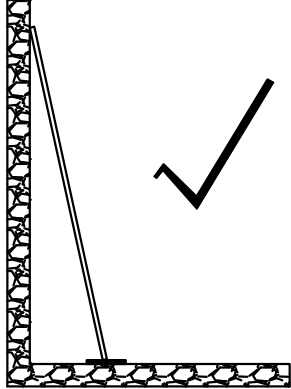


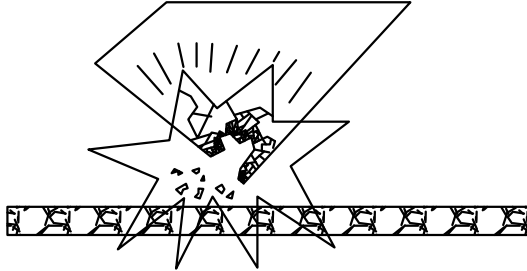


WARNING

When the glass is placed upright, something soft should be placed on the bottom.

Tempered Glass, please don't hit the corners and the surrounding, otherwise the glass will burst.







Box Contents



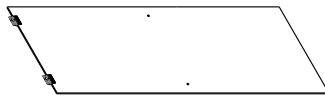
[01] x1
Top Horizontal
Rail



[02] x2
Wall Profile



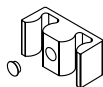
[03] x1
Bottom
Horizontal Rail



[04] x2
Door panel



[05] x2
Handle set



[06] x6
Glass Block



[07] x1
Glass Track



[08] x6
Wall Plug



[09] x6
Screw



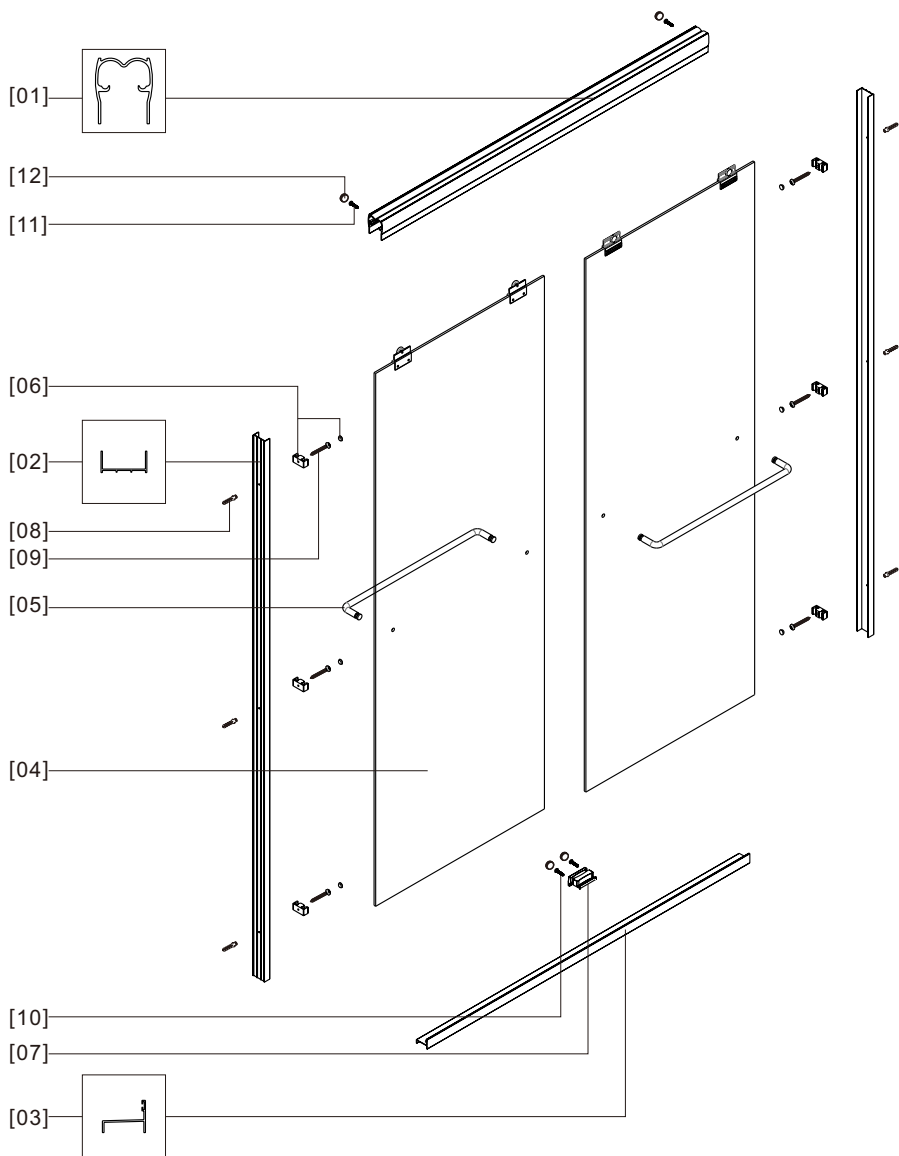
[10] x2
Screw



[11] x2
Screw



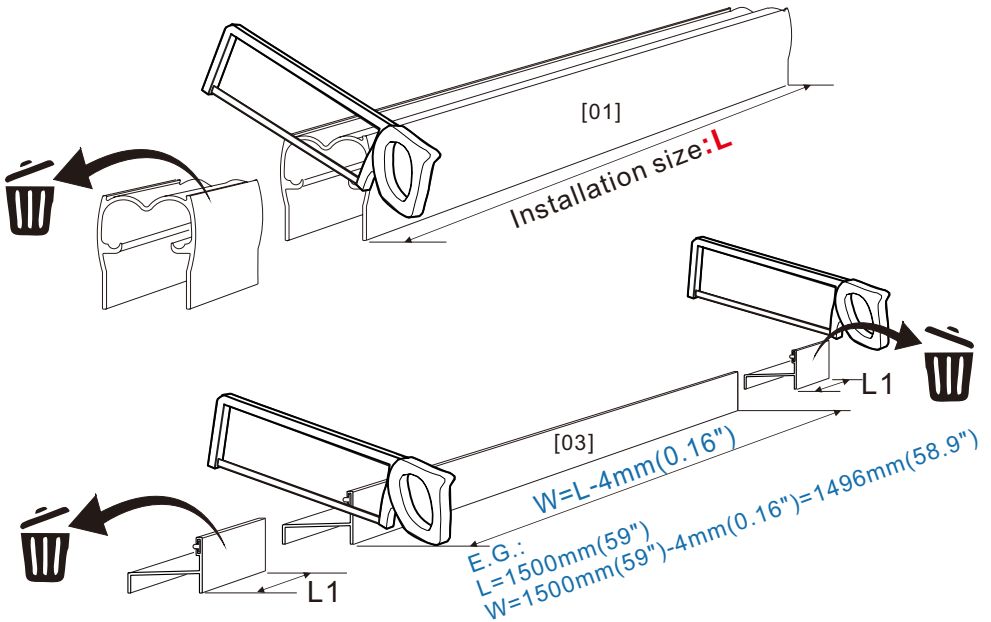
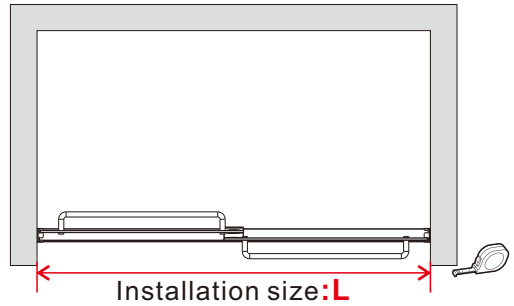
[12] x4
Screw cap





01

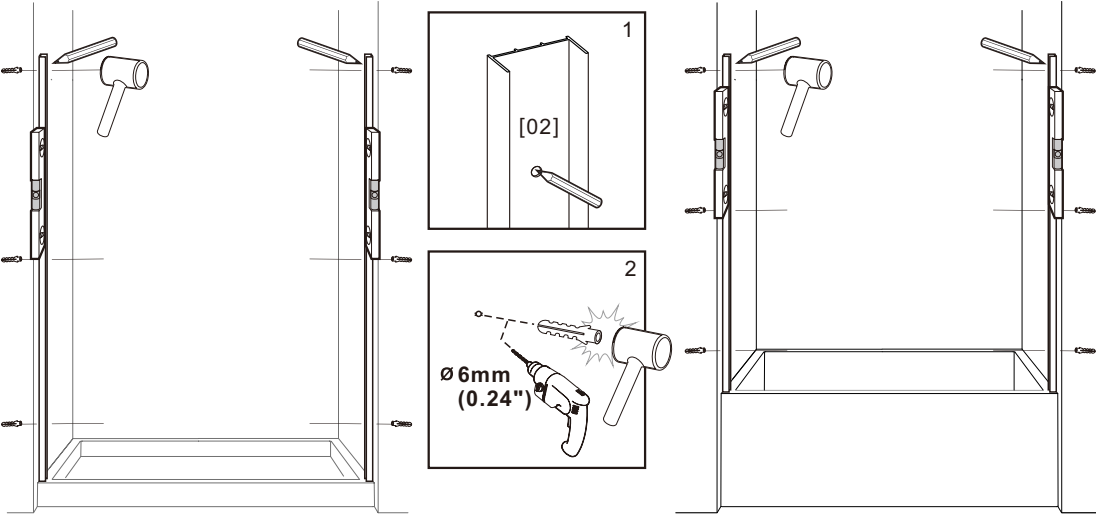
Size (in.)	L	
	Min.	Max.
48"	44"	48"
60"	56"	60"



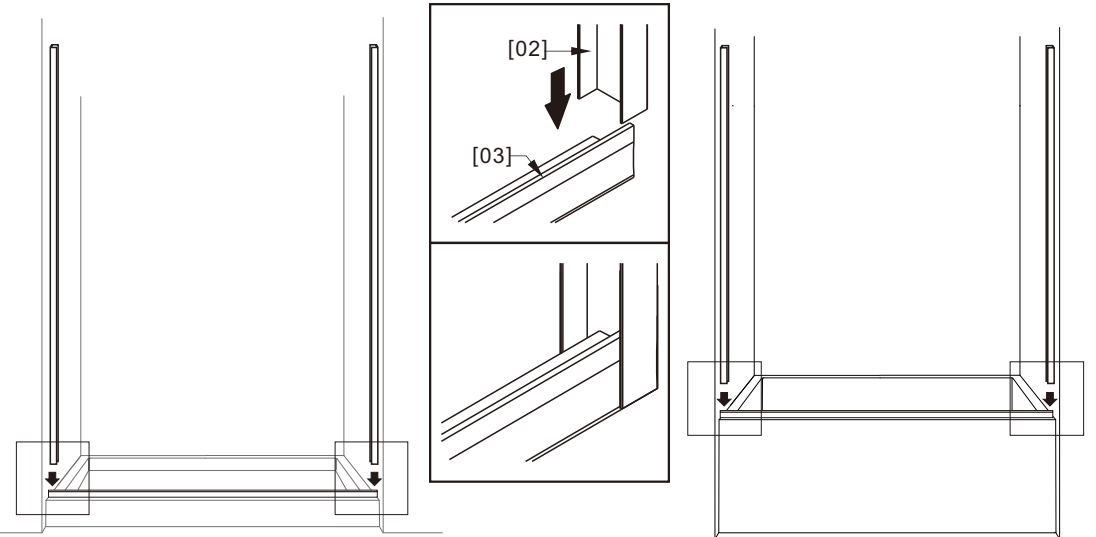
1. Measuring Installation size L.
2. Cut the top horizontal rail [01] to length: Installation size L.
3. Cut the bottom horizontal rail [03] 's length W is: Installation size L subtract 4mm (0.16") .

Note: When cutting the bottom horizontal rail, it needs to be cut in half at each end.

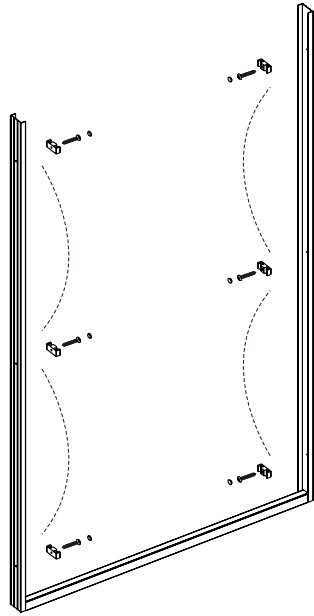
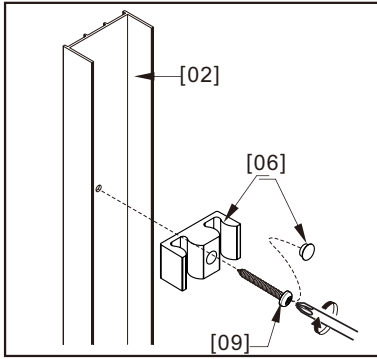
02



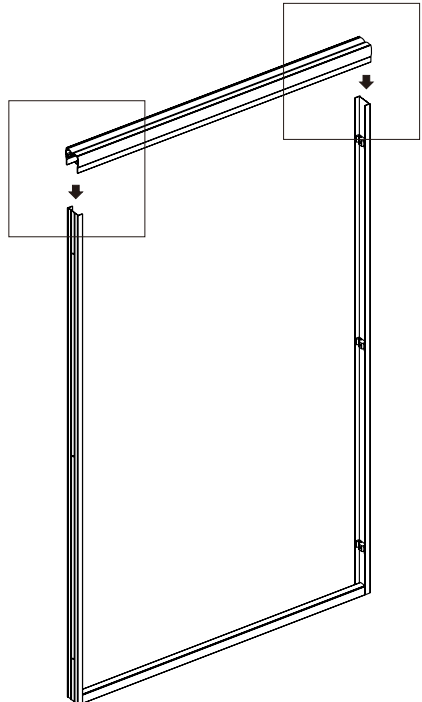
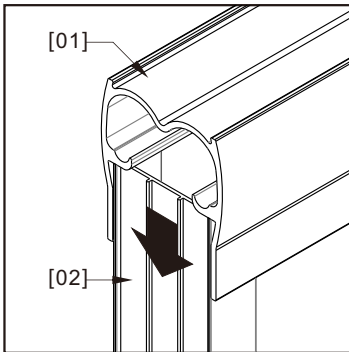
03




04

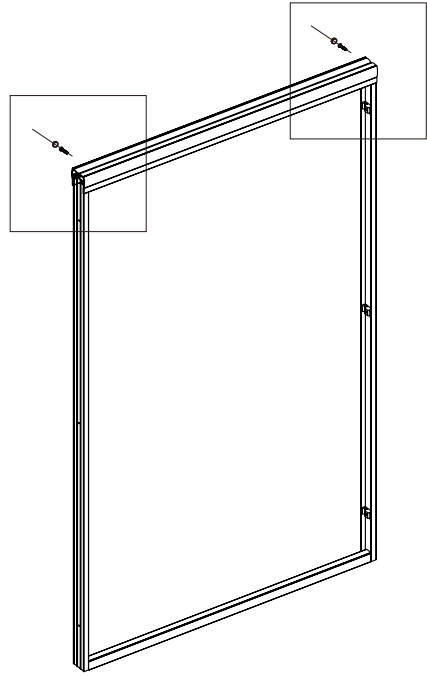
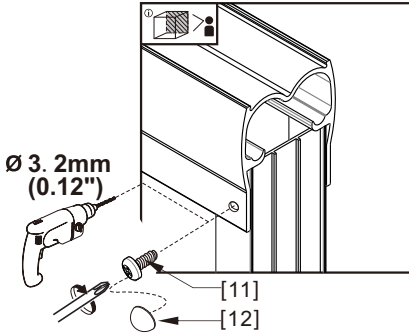


05

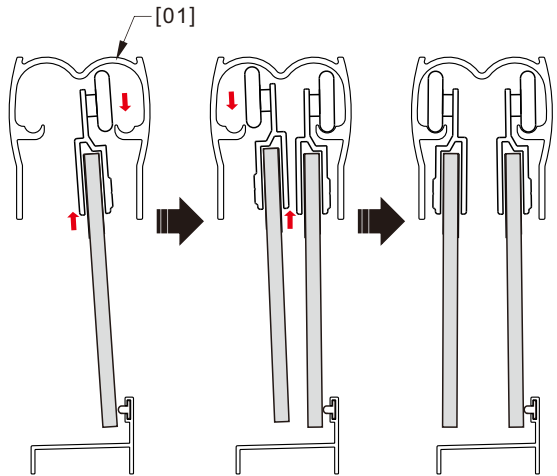
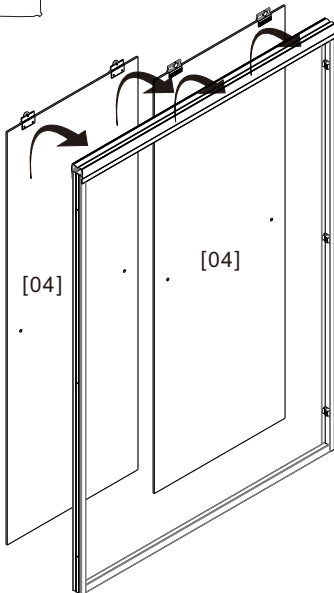


06

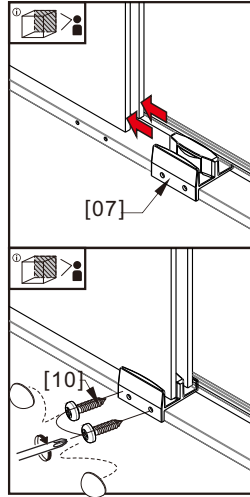
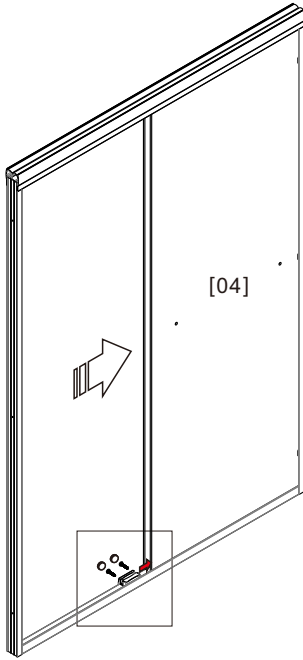
 View from inside



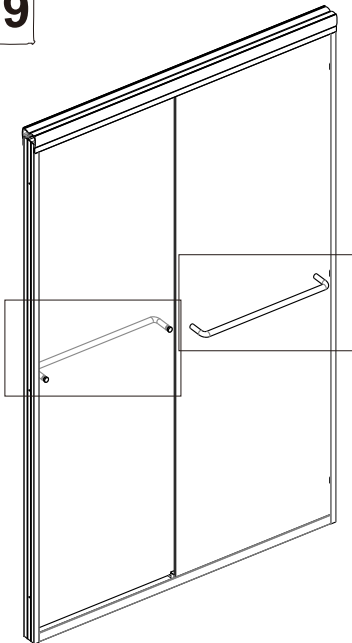
07



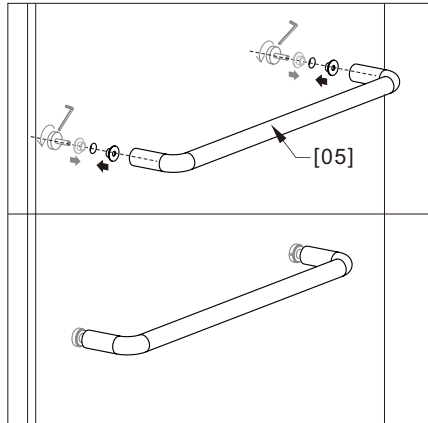
08



09



2x



10

