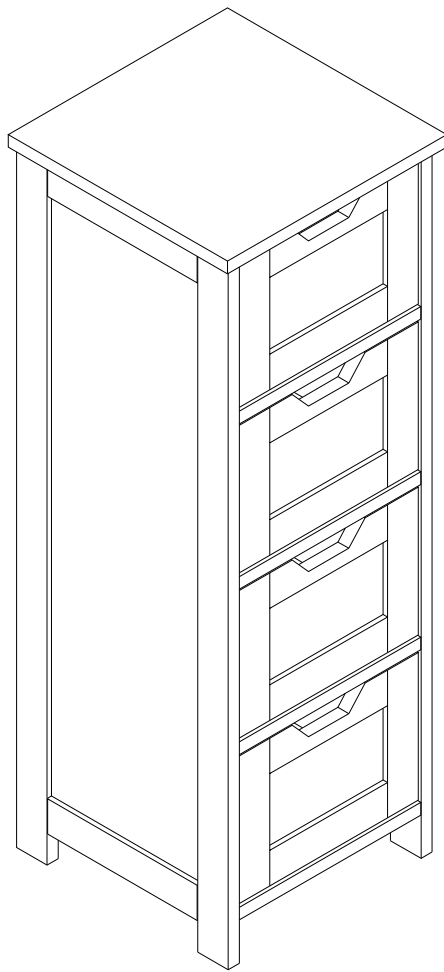
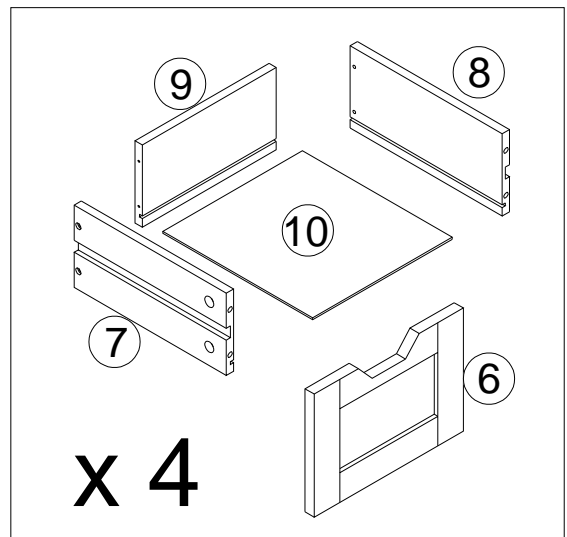
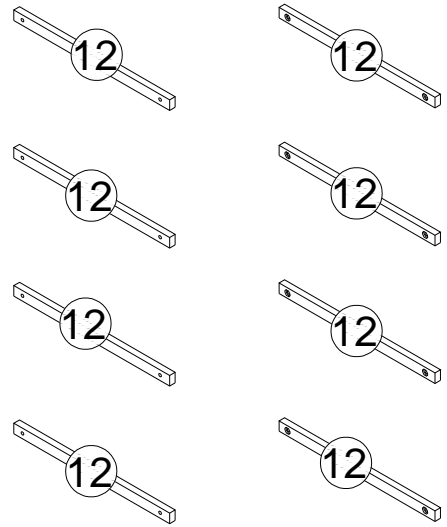
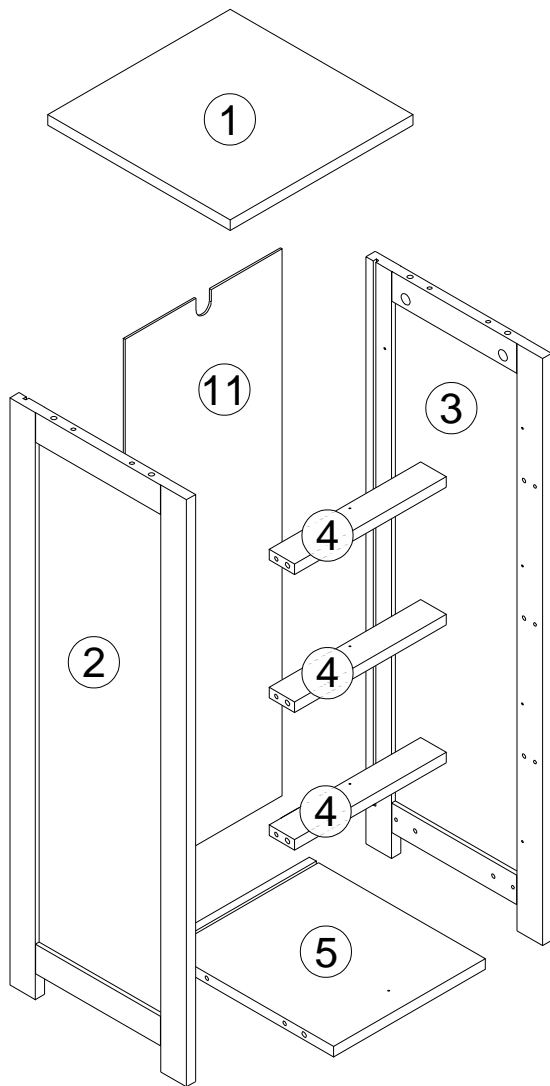
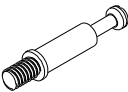

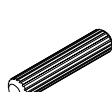


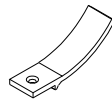
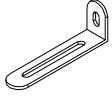

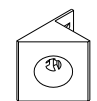
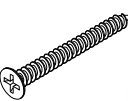




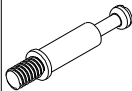

ASSEMBLY INSTRUCTION

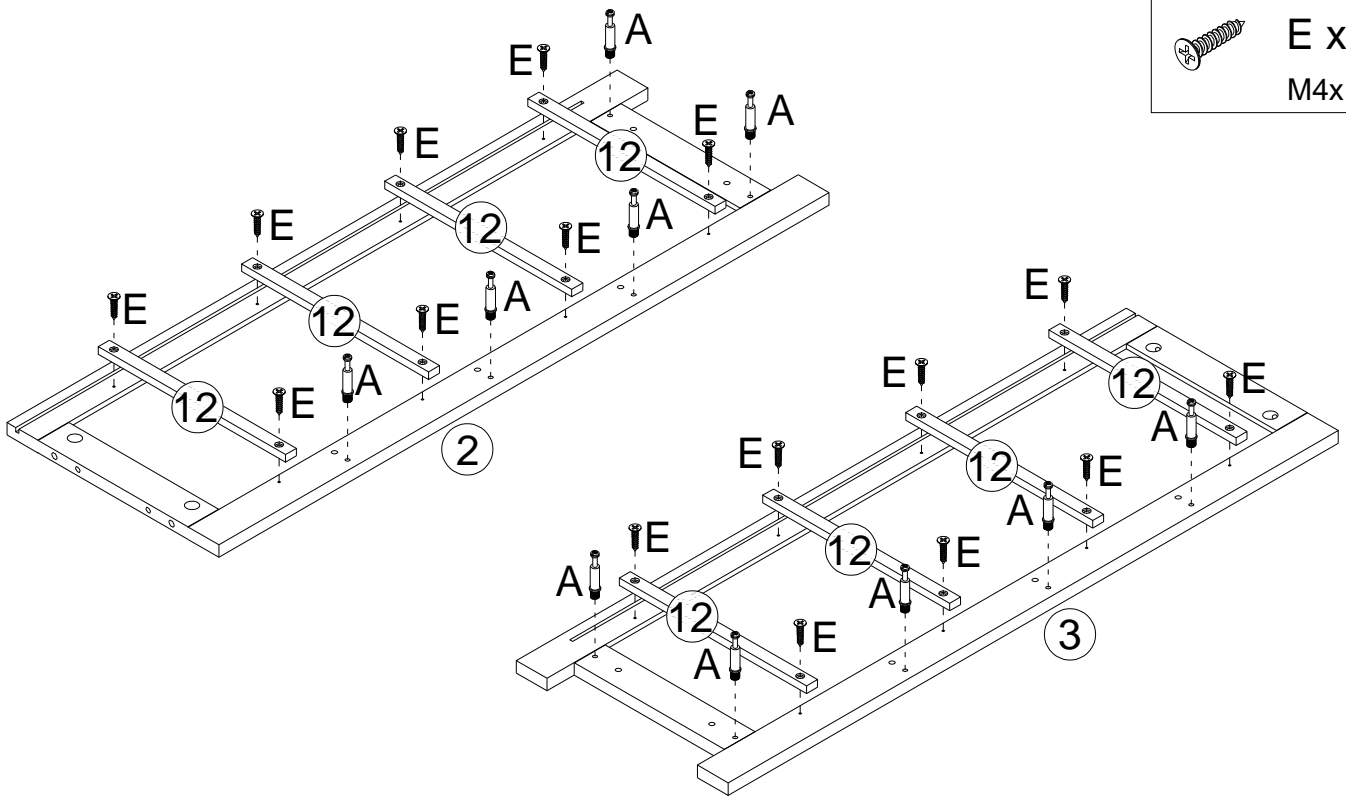




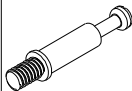
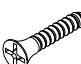
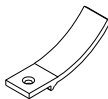
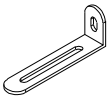

 A x 30 M6x35mm	 B x 30 M15x10mm	 C x 14 M6x30mm	 D x 4 M3x12mm	 E x 16 M4x18mm
 F x 4	 G x 1	 H x 6 M3x14mm	 J x 6	 K x 17 M4x35mm
 L x 1	 M x 1			

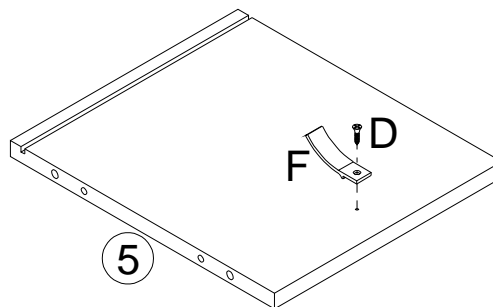
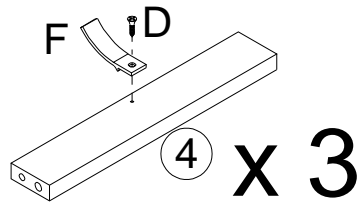
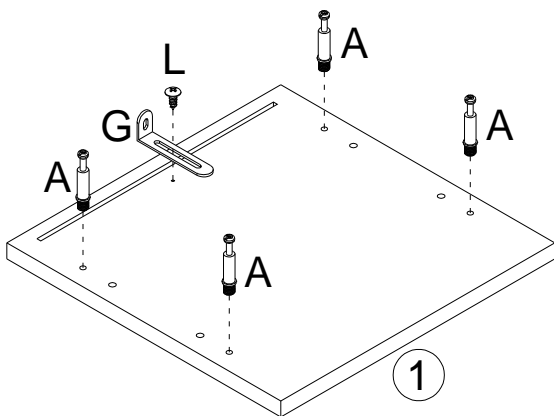
STEP 1

-  A x 10
M6x35mm
-  E x 16
M4x18mm



STEP 2

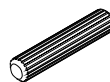
-  A x 4
M6x35mm
-  D x 4
M3x12mm
-  F x 4
-  G x 1
-  L x 1



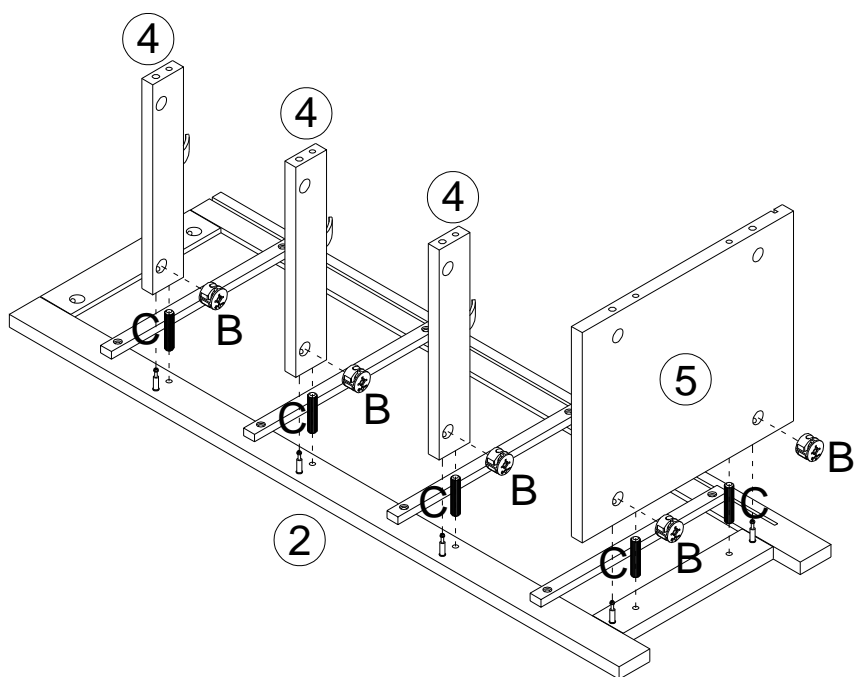
STEP 3



B x 5
M15x10mm



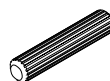
C x 5
M6x30mm



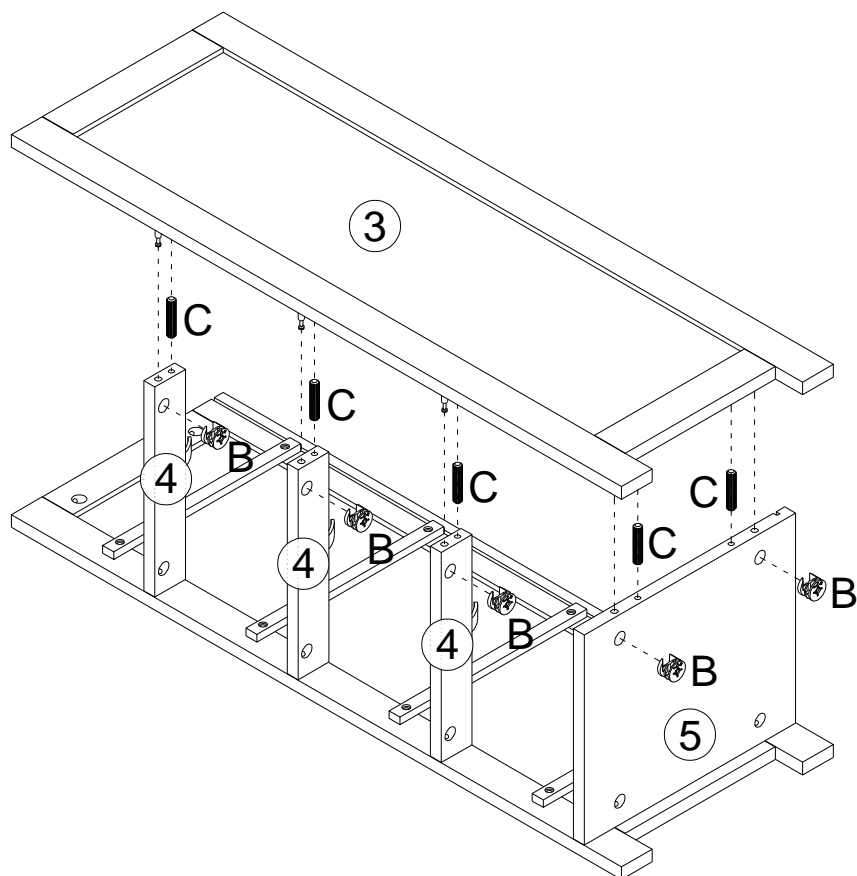
STEP 4



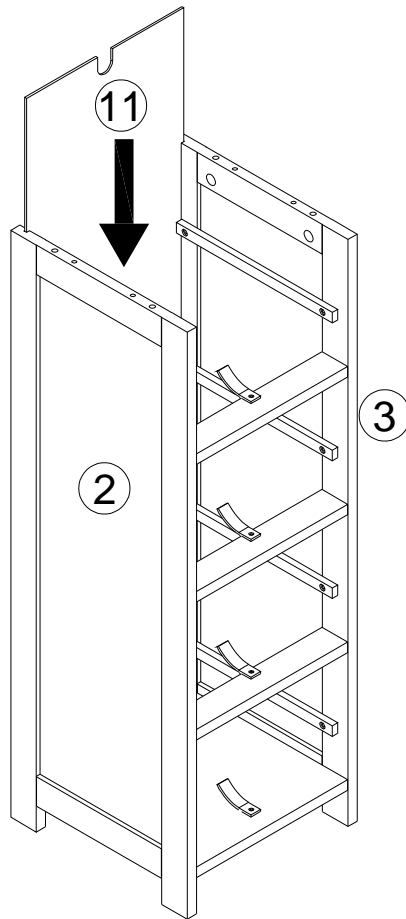
B x 5
M15x10mm



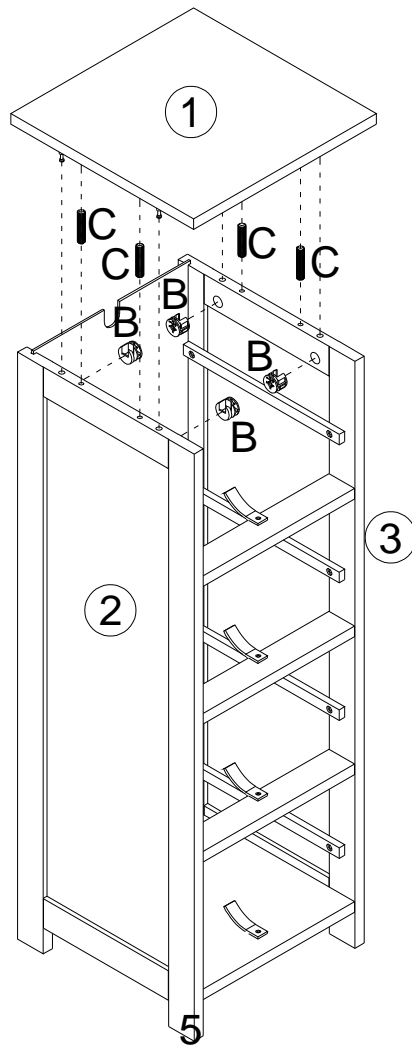
C x 5
M6x30mm



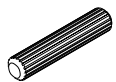
STEP 5



STEP 6

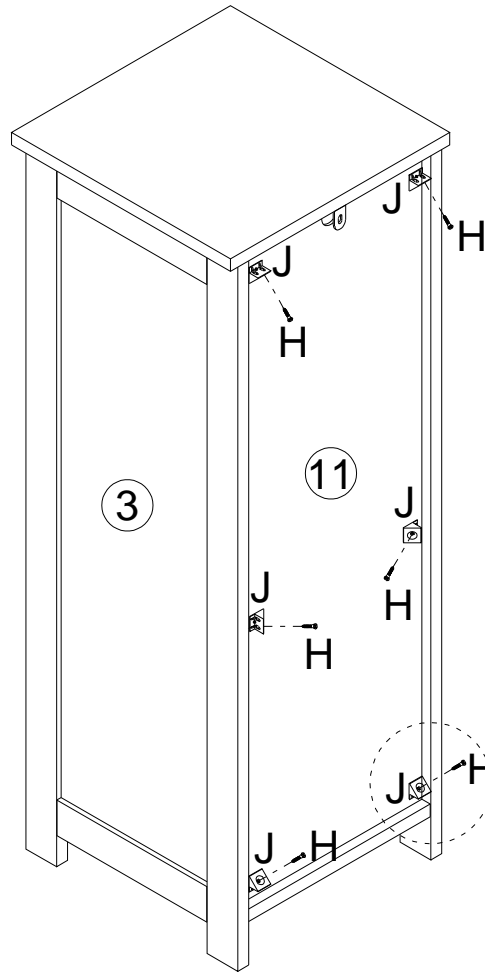


B x 4
M15x10mm



C x 4
M6x30mm

STEP 7

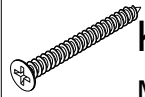
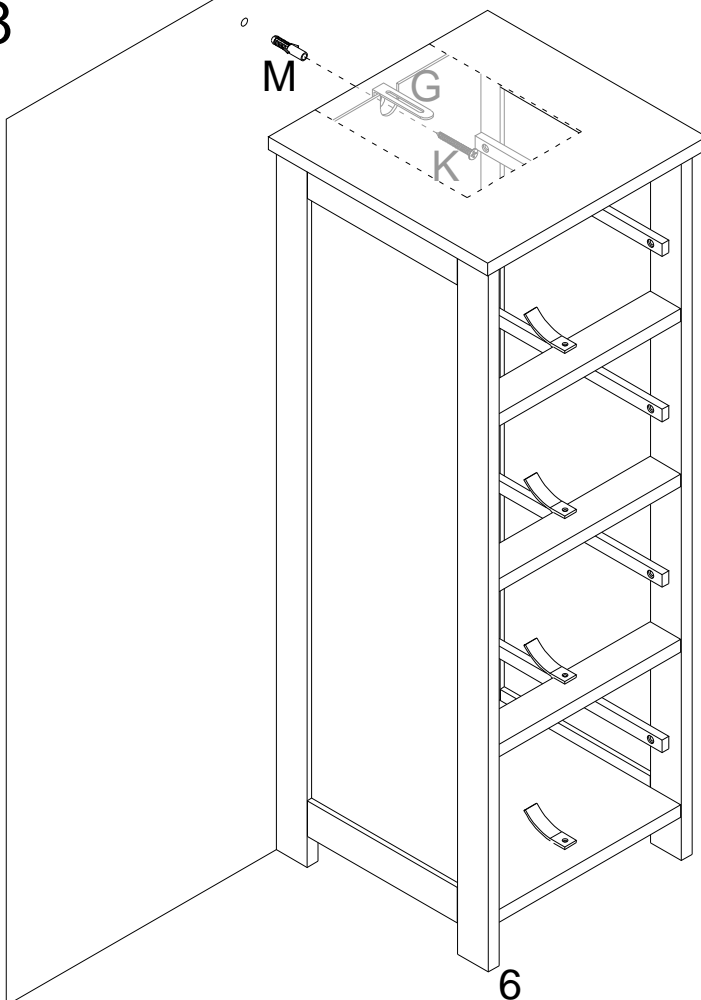


H x 6
M3x14mm



J x 6

STEP 8



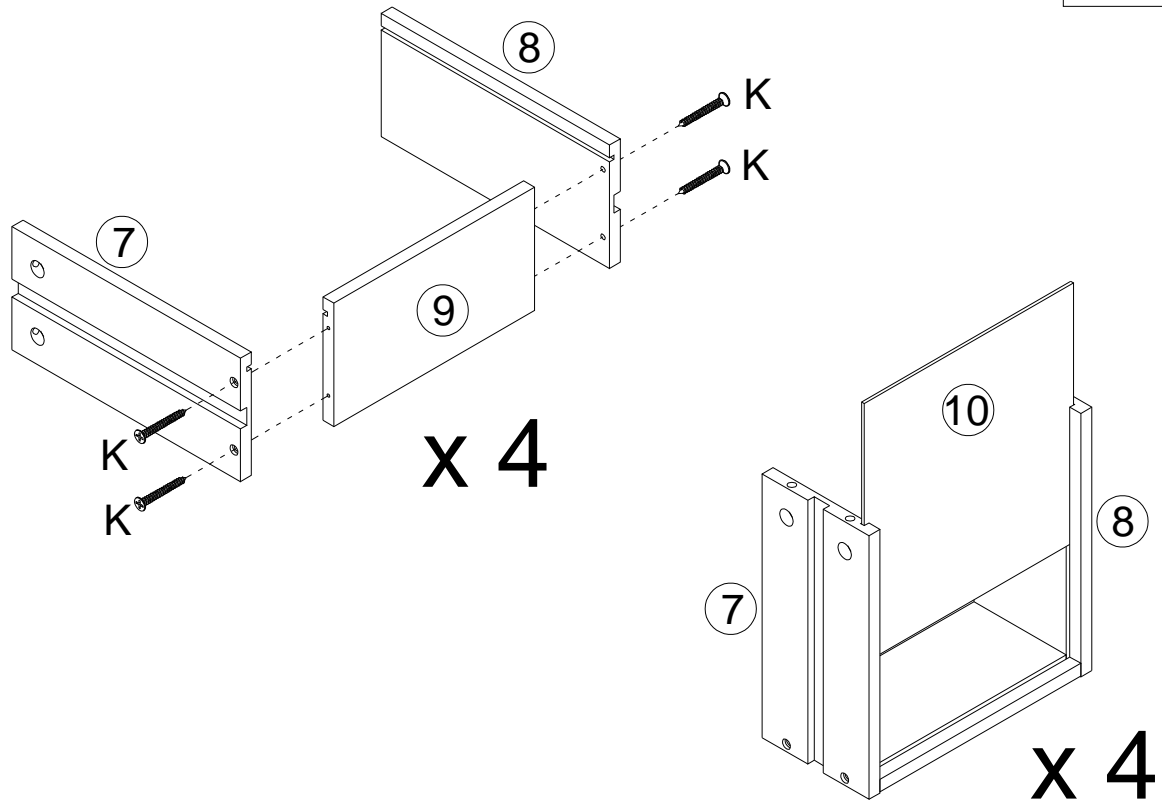
K x 1
M4x35mm



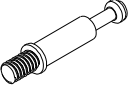
M x 1

STEP 9

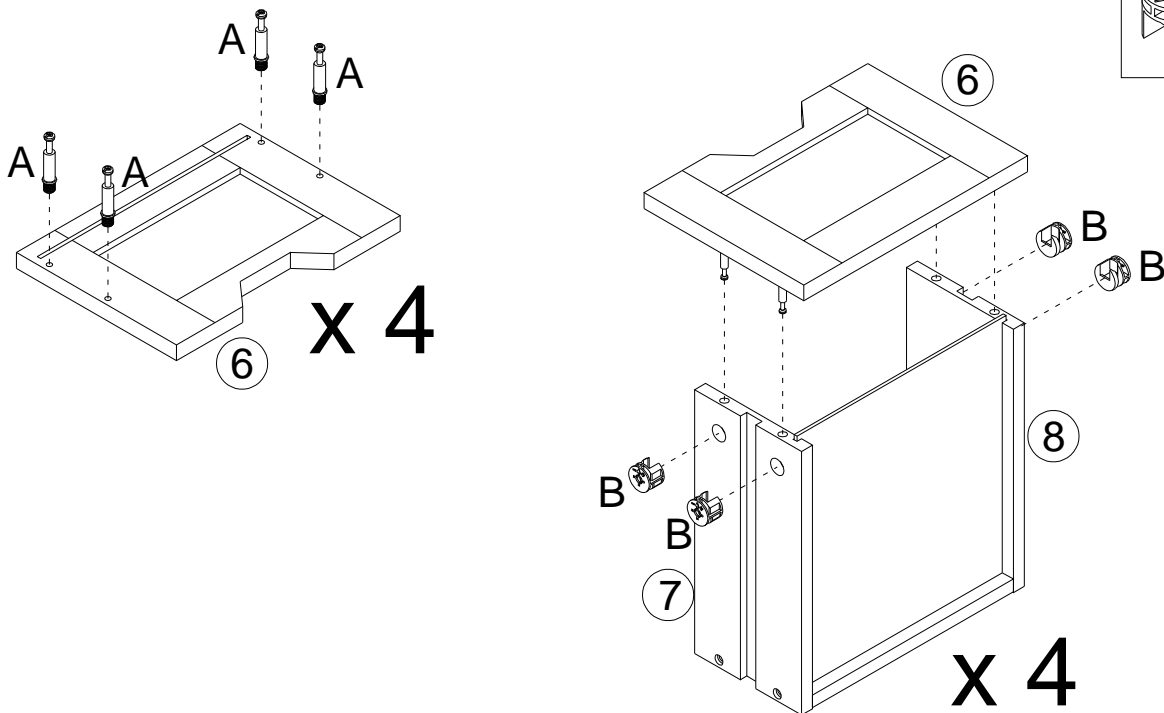
 K x 16
M4x35mm



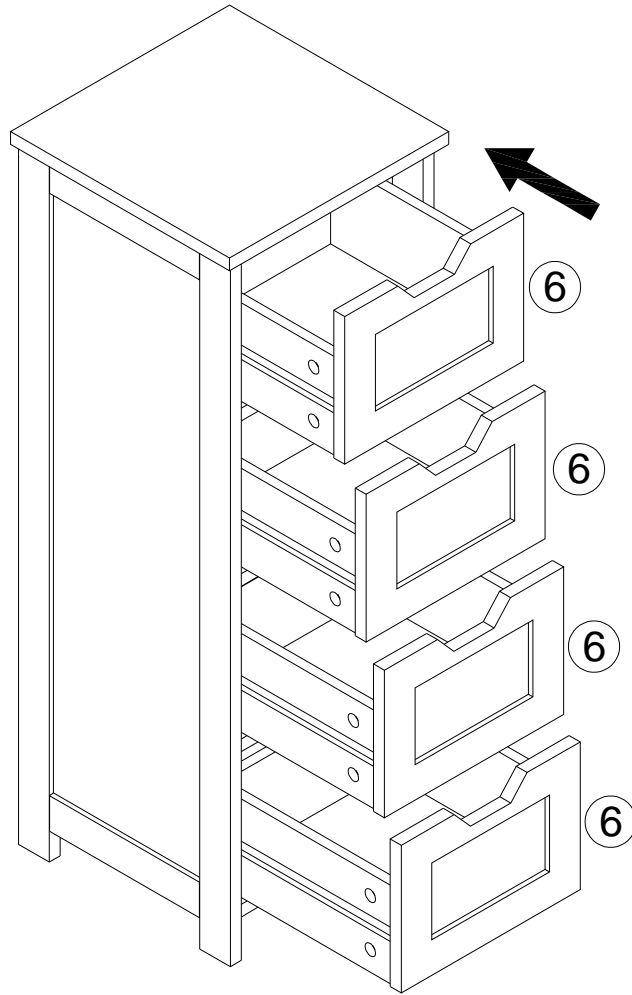
STEP 10

 A x 16
M6x35mm

 B x 16
M15x10mm



STEP 11



STEP 12

