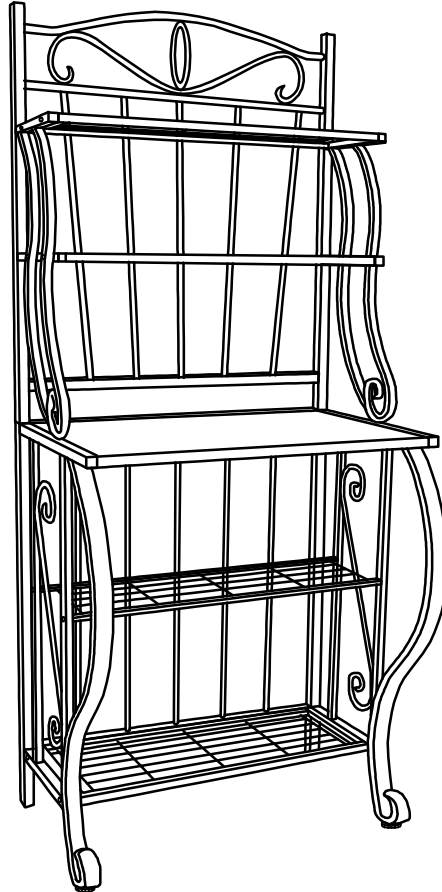


ASSEMBLY INSTRUCTIONS






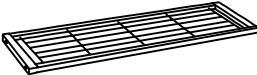
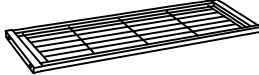


Kitchen Rack



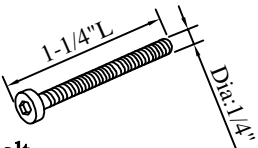
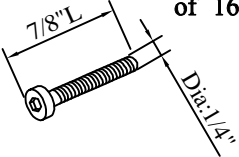
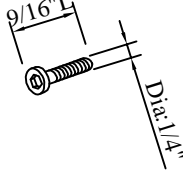
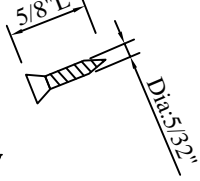

NOTE TO CUSTOMERS:

- For ease and speed of assembly we recommend that before you commence each step of the assembly that you identify all the parts required to complete that step.
- We recommend that where possible you allow sufficient space to assemble the item as close as possible to the place where it will be once assembled.
- For the protection of your furniture we recommend that the product is placed on protected surfaces during assembly to prevent any damage.
- During assembly do not over tighten, as this may damage the product.
- Please ensure you retain all the product packaging until the item completely assembled.
- Please periodically check all fittings and re-tighten as necessary.
- Never allow any liquid to remain on your furniture as absorption can cause the wood to warp or the finish to de-laminate.
- It is recommended that this item should be assembled by two adults.

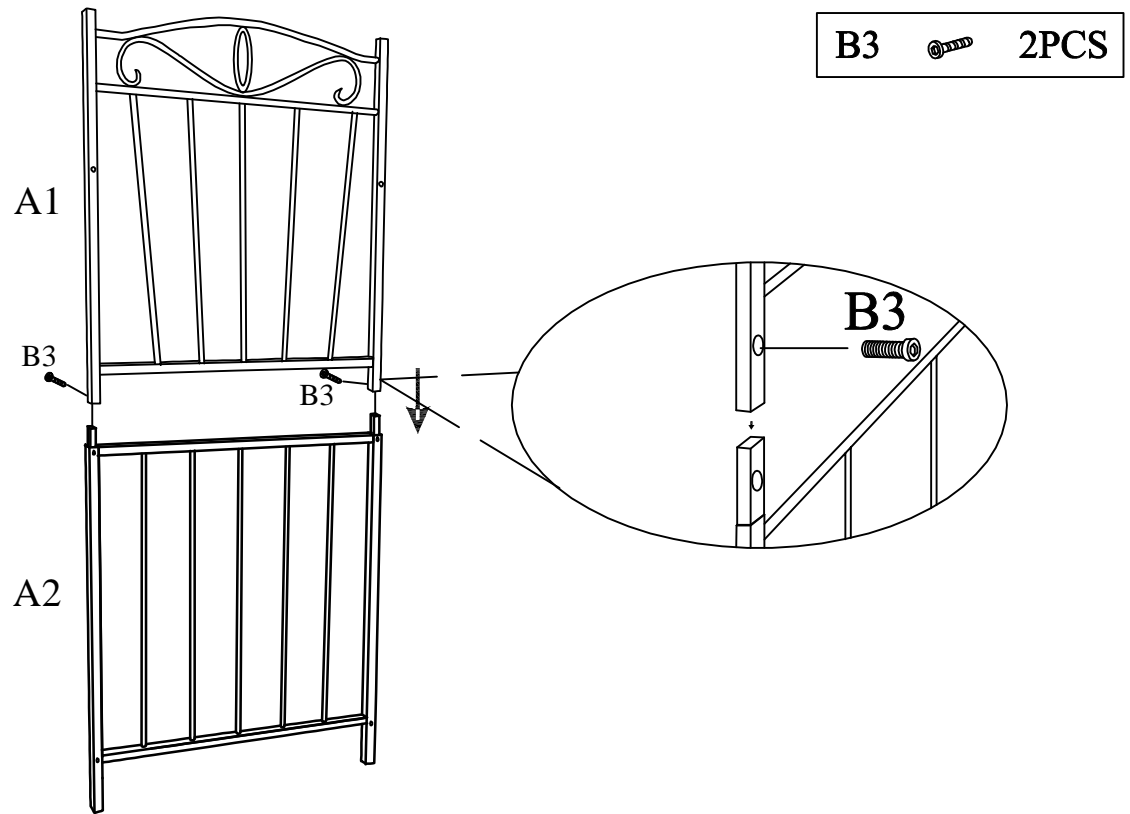
Part List

<p>A1 Quantity of 1</p>  <p>Upper Back Frame</p>	<p>A2 Quantity of 1</p>  <p>Lower Back Frame</p>	<p>A3 Quantity of 1</p>  <p>Left Leg</p>	<p>A4 Quantity of 1</p>  <p>Right Leg</p>
<p>A5 Quantity of 2</p>  <p>Upper Side Frame</p>	<p>A6 Quantity of 1</p>  <p>Bottom Net Rack</p>	<p>A7 Quantity of 2</p>  <p>Upper Net Rack</p>	<p>A8 Quantity of 1</p>  <p>Middle Net Rack</p>
<p>A9 Quantity of 1</p>  <p>Center Panel</p>			

Hardware List

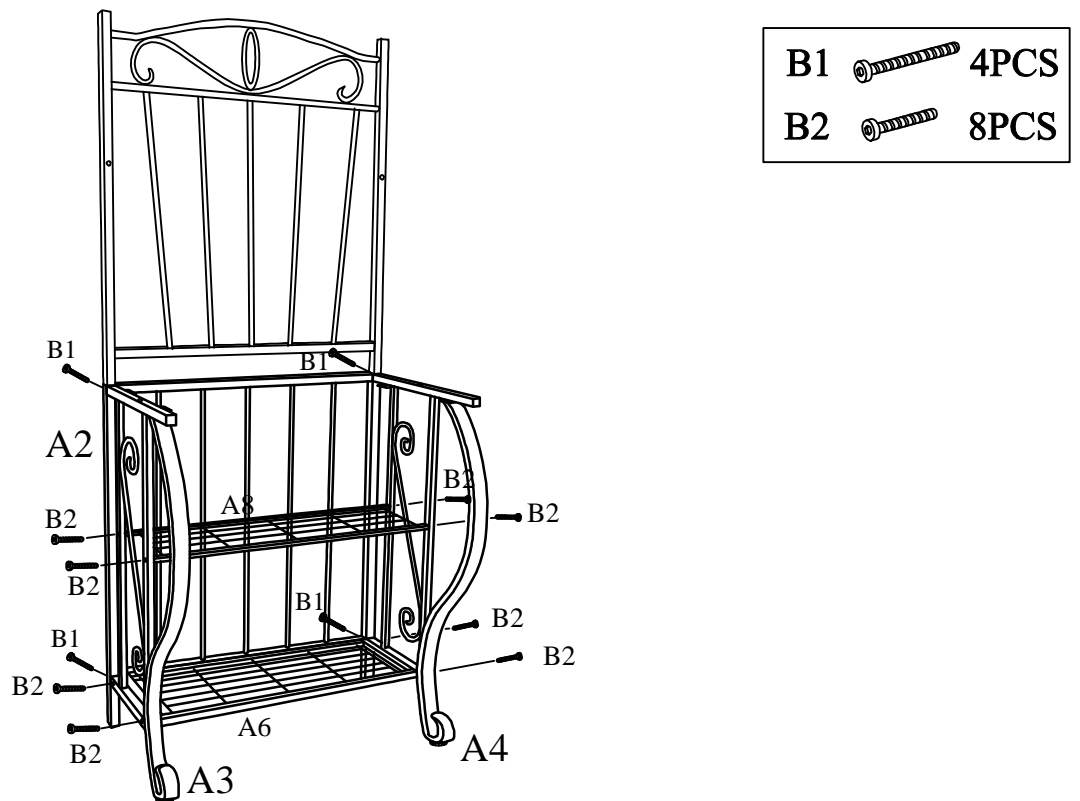
<p>B1 Quantity of 6</p>  <p>Bolt</p>	<p>B2 Quantity of 16</p>  <p>Bolt</p>	<p>B3 Quantity of 4</p>  <p>Bolt</p>	<p>B4 Quantity of 4</p>  <p>Screw</p>
 <p>Allen Wrench</p>			

Step 1






Insert Upper Back Frame A1 to Lower Back Frame A2 using Bolts B3.
Note: Please do not tighten Bolts B3 until Step 4.

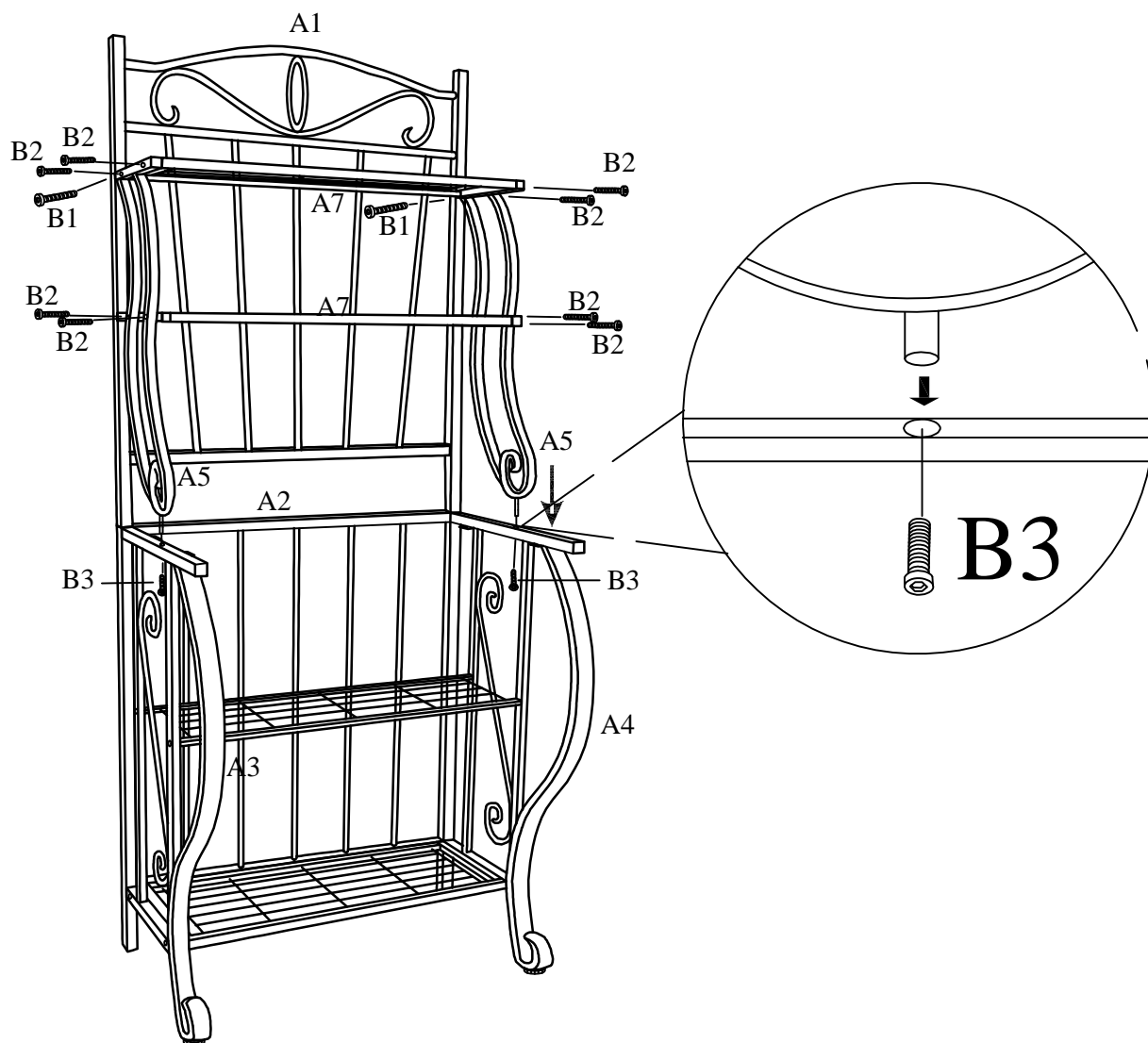
Step 2



1). Assemble Legs A3&A4 to Lower Back Frame A2 using Bolts B1.
2). Assemble Bottom Net Rack A6 and Middle Net Rack A8 to Legs A3&A4 using Bolts B2 .
Note: Please do not tighten Bolts B1&B2 until Step 4.

Step 3

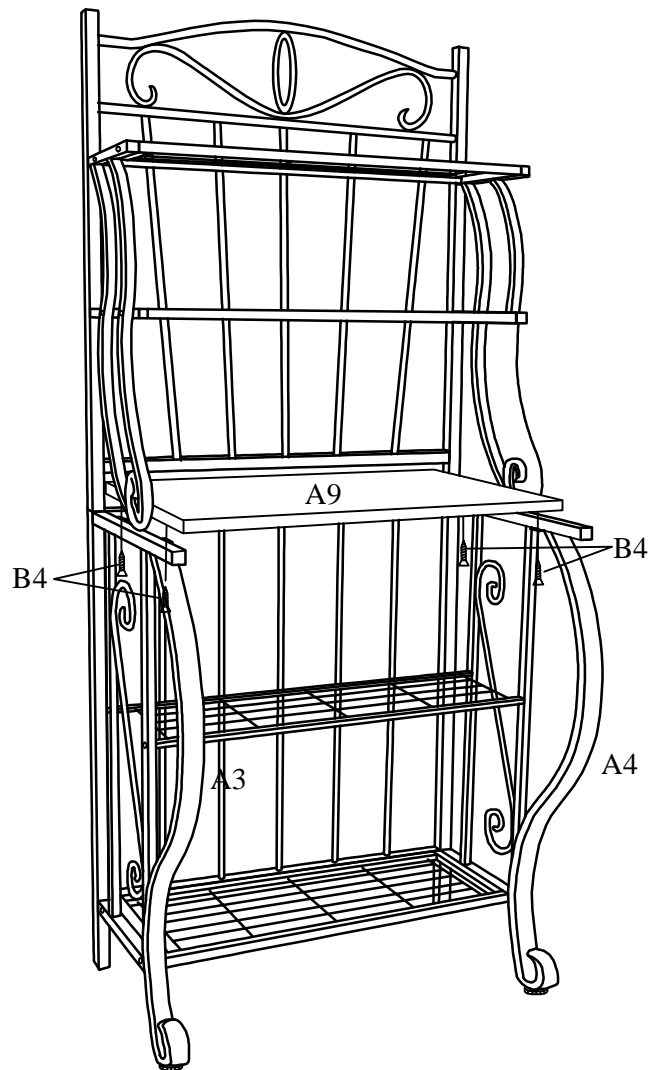
B1		2PCS
B2		8PCS
B3		2PCS



- 1). Assemble Upper Side Frames A5 to Legs A3&A4 and Upper Back Frame A1 using Bolts B3 and Bolts B1.
 - 2). Assemble Upper Net Racks A7 to Upper Side Frames A5 using Bolts B2.
- Note: Please do not tighten Bolts B1&B2&B3 until Step 4.

Step 4

B4  4PCS



Assemble Center Panel A9 to Legs A3&A4 using Screws B4.
Please tighten all Bolts B1&B2&B3 at this point.