

ASSEMBLY INSTRUCTIONS

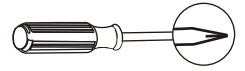
DINING CHAIR

ASSEMBLY REQUIREMENTS:

30 MINUTES
Assembly Time
Per Chair (Approximate)

1 Person
Assembly

Tools Required : Phillips Screwdriver
(Not provided)



Thank you for purchasing our product!

Please refer and use this assembly instruction to assemble the product.

We appreciate your business!

ASSEMBLY PREPARATION

1. Remove all packaging materials, staples and packing straps from the carton.
2. Refer to Parts List and Hardware List and ensure they are complete before you start assembling.
3. Place all wooden parts on a clean, flat and soft surface(e.g. carpet or rug) to prevent parts from getting scratched.

SAFETY PRECAUTION :

1. KEEP ALL HARDWARE PARTS OUT OF REACH OF CHILDREN.
2. DISPOSE PLASTIC PACKAGING MATERIAL IMMEDIATELY TO AVOID ANY RISK OF SUFFOCATION TO CHILDREN AND ANIMALS.

TIPS FOR ASSEMBLY :

1. Allow ample room for assembly and in close proximity to where product will be placed.
2. Assemble the product on a surfaces that does not scratch or damage the exterior gloss and finish of the furniture.
3. Please check all of the parts and quantities are included before assembly. Contact customer service for missing parts.
4. Identify all of the parts, hardware and quantities required for each step.
5. During assembly, do not over-tighten any fittings as this may cause damage.
6. DO NOT USE POWER TOOLS TO ASSEMBLE THIS PRODUCT.
7. Always place the product on a flat surface.
8. Do not sit or stand on the partially assembled product; only use the product for which it is intended.

CARE AND MAINTENANCE

CLEANING - Use a slightly damp cloth to clean the product. Do not use bleach or abrasive cleaning material.

FITTINGS - Check all the fittings periodically and re-tighten as necessary. Do not use the product if any of the parts is damaged or broken.

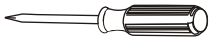
This product is for indoor and household use only - not for commercial use.

DINING CHAIR

HARDWARE(FOR TWO CHAIRS)

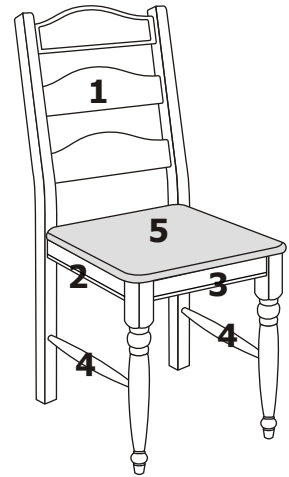
NO.	DESCRIPTION	QTY
A	JCBC BOLT	12PCS
B	SPRING WASHER	12PCS
C	FLAT WASHER	12PCS
D	SCREW	16PCS
E	ALLEN KEY	1PC

TOOLS REQUIRED(NOT PROVIDED)



PARTS LIST(FOR TWO CHAIRS)

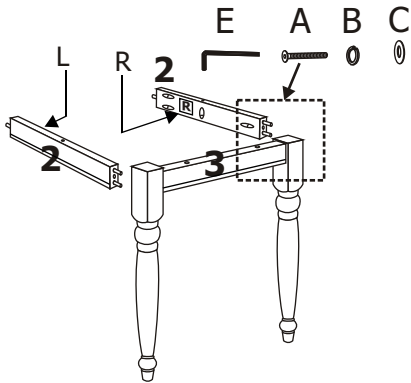
NO.	DESCRIPTION	QTY
1	CHAIR BACK	2PCS
2	SIDE RAIL	4PCS
3	LEG FRAME	2PCS
4	STRETCHER	4PCS
5	CHAIR SEAT	2PCS



Note: Fasten screws and bolts manually with the Allen Key provided. Do not use power tools/drills to fasten screws and bolts. Excessive pressure and/or torque will cause irreparable damage to the parts.

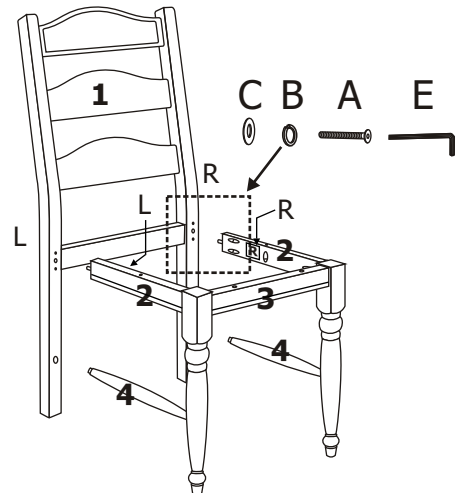
Step 1

Attach Side Rail(2) to the Leg Frame(3) via 2x Wood Dowel and 1x JCBC Bolt(A) inserted with Spring and Flat Washers(B & C respectively) Use Allen Key (E) to tighten (A). Do not tighten completely at this time.



Step 2

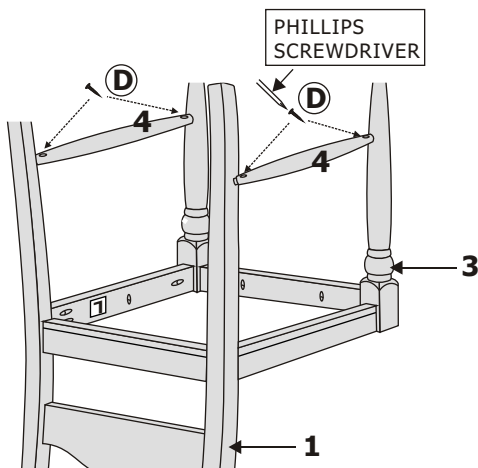
Insert Stretcher(4) with the pre-drilled screw holes faced down to the Leg Frame (3). Next, insert the other ends of the Side Rail(2) and Stretcher(4) to the Chair Back(1). Fasten Side Rail(2) to Chair Back(1) with JCBC Bolt(A) inserted with Spring and Flat Washers(B & C respectively). Do not tighten completely at this time.



Step 3

3-1: Position the assembly chair frame with the legs facing up as shown. Use Screw(D) to fasten the Stretcher(4) to the legs with a Phillips Screwdriver (Not provided)

3-2: Next, fully tighten all the bolts and screw at this time. Do not over tighten.



Step 4

Place Chair Seat(5) bottom-side up on an elevated surface (e.g. Table top). Position the chair frame assembly with the legs facing up as shown. Center the seat frame to the Chair Seat with rear of the Chair Seat against the Chair Back. Use a Phillips Screwdriver to drive Screw(D) to fasten Chair Seat to Seat Frame.

