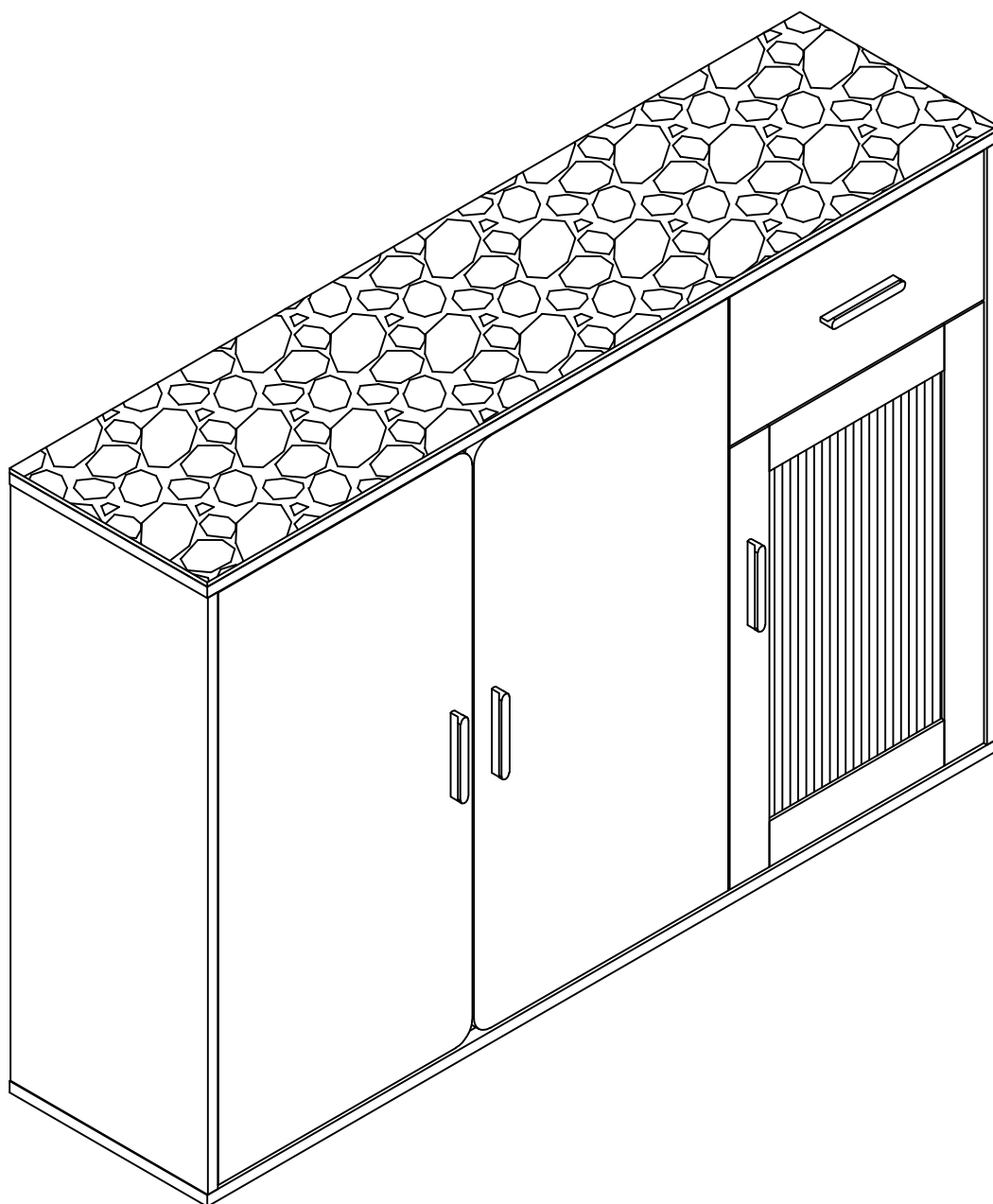
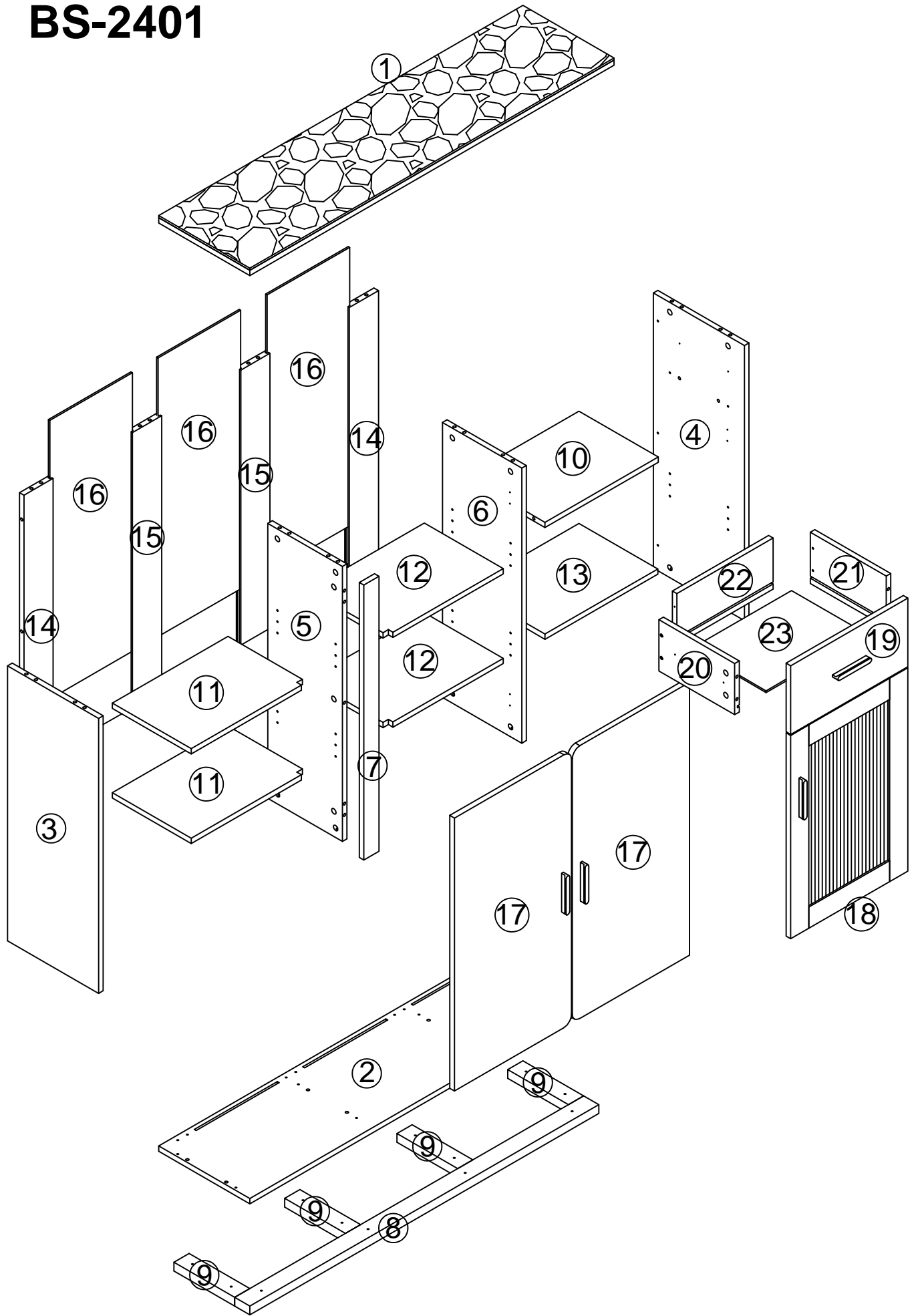


Assembly Instructions

Sideboard

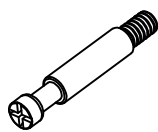


BS-2401



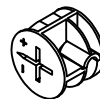
HARDWARE-1

X50



(A)

X50



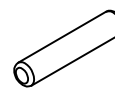
(B)

X50



(C)

X23



ϕ 8x30

(D)

X48



ϕ 3.5x14

(E)

X18



ϕ 3.5x30

(F)

X14



ϕ 3x20

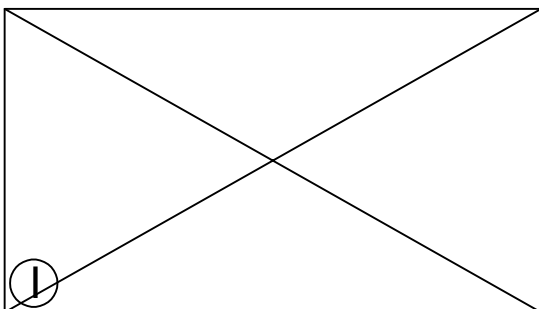
(G)

X8

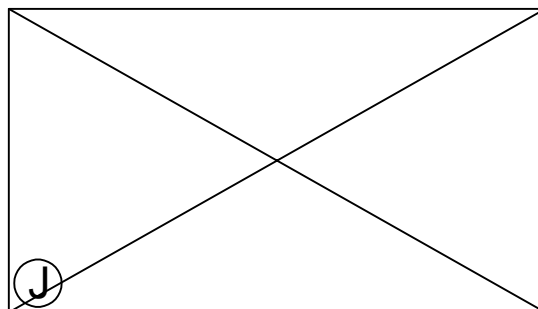


M4x18

(H)

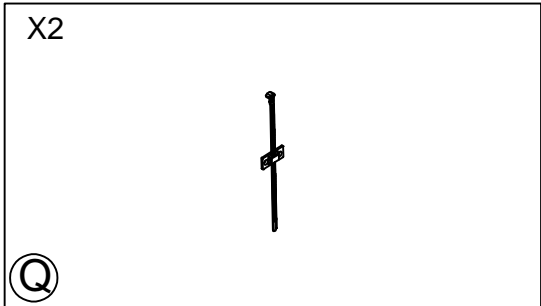
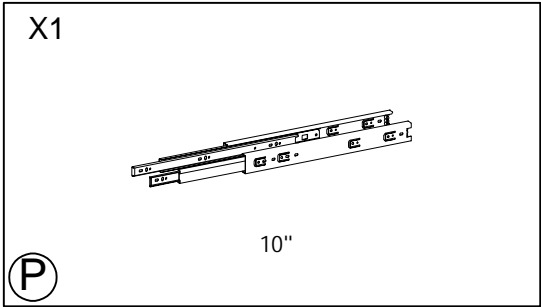
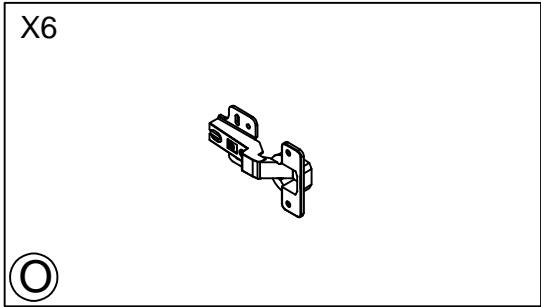
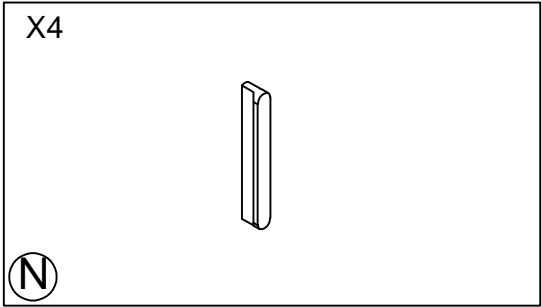
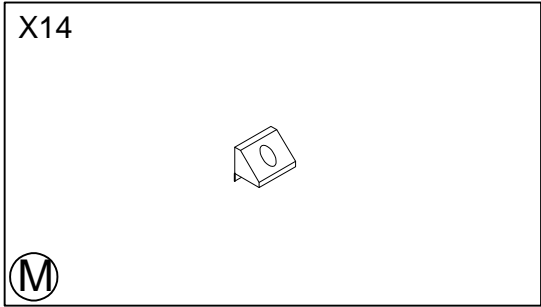
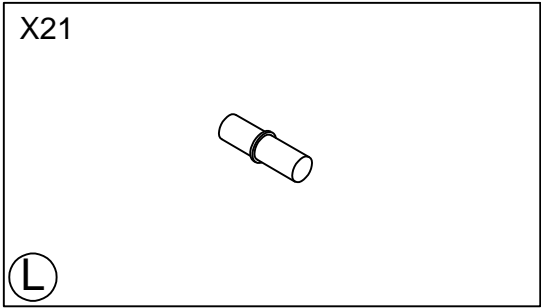
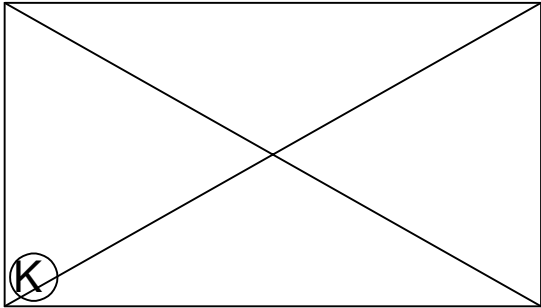


(I)

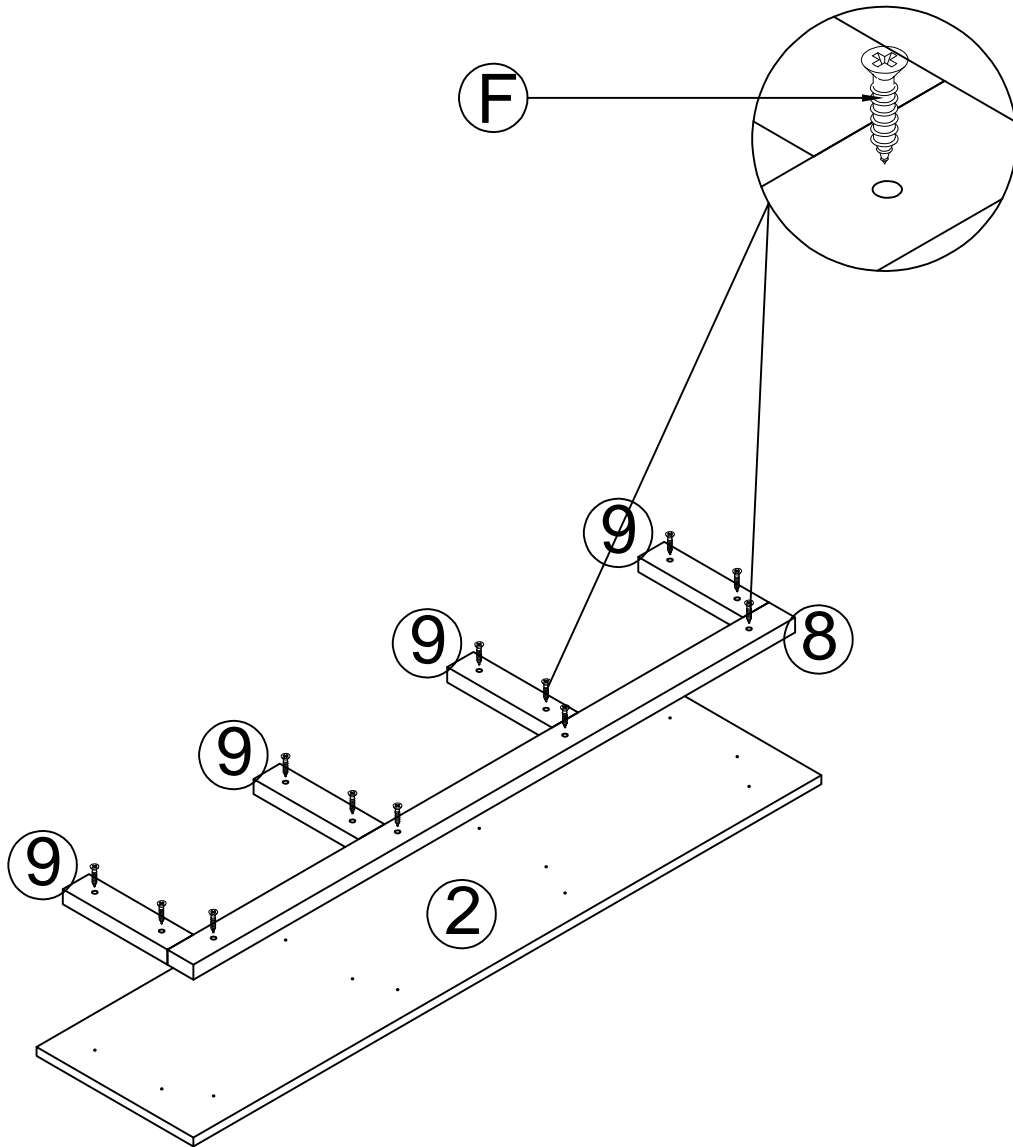


(J)

HARDWARE-2



1



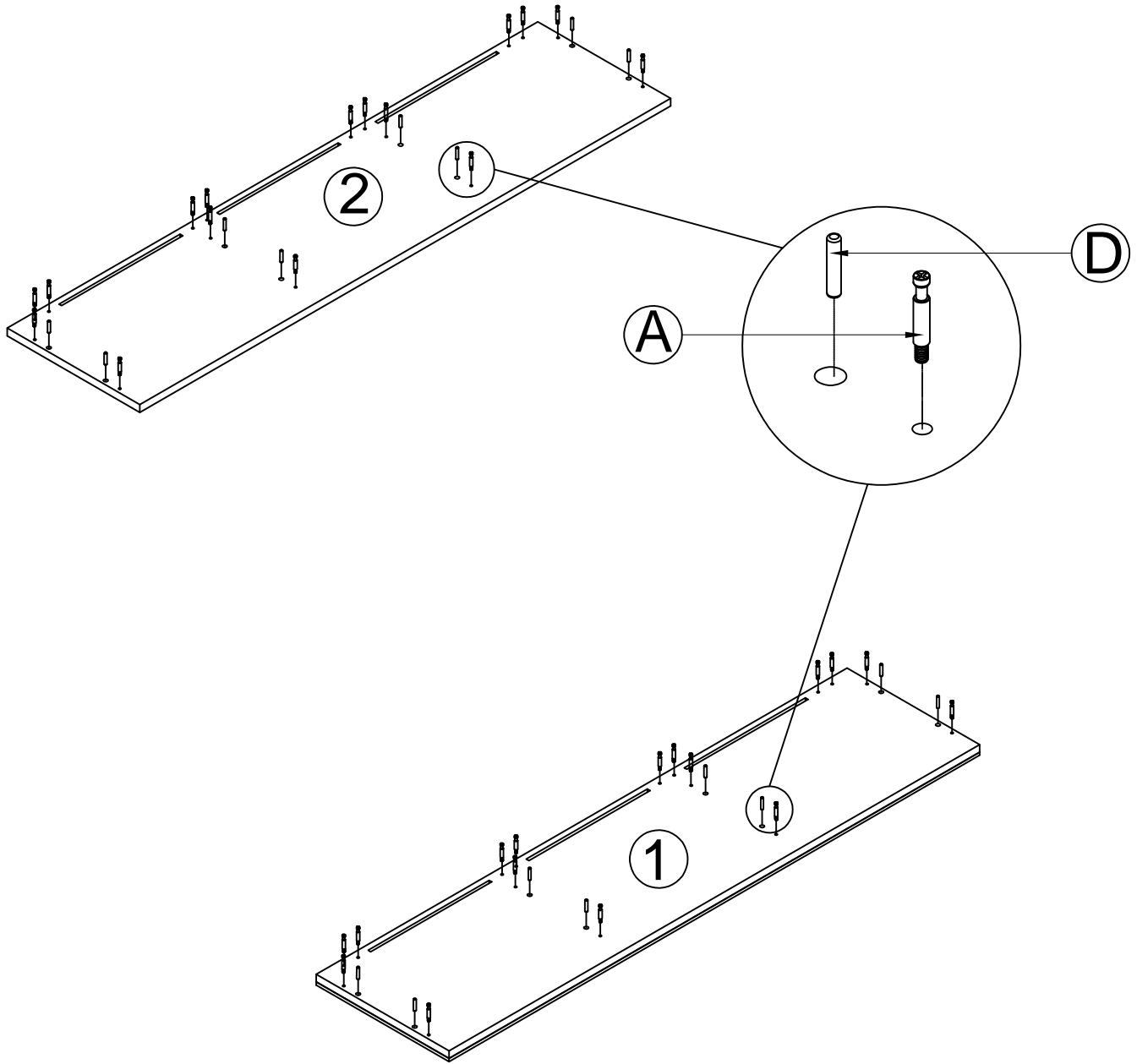
F



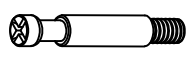
[x12]



2

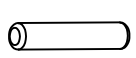


A



[x32]

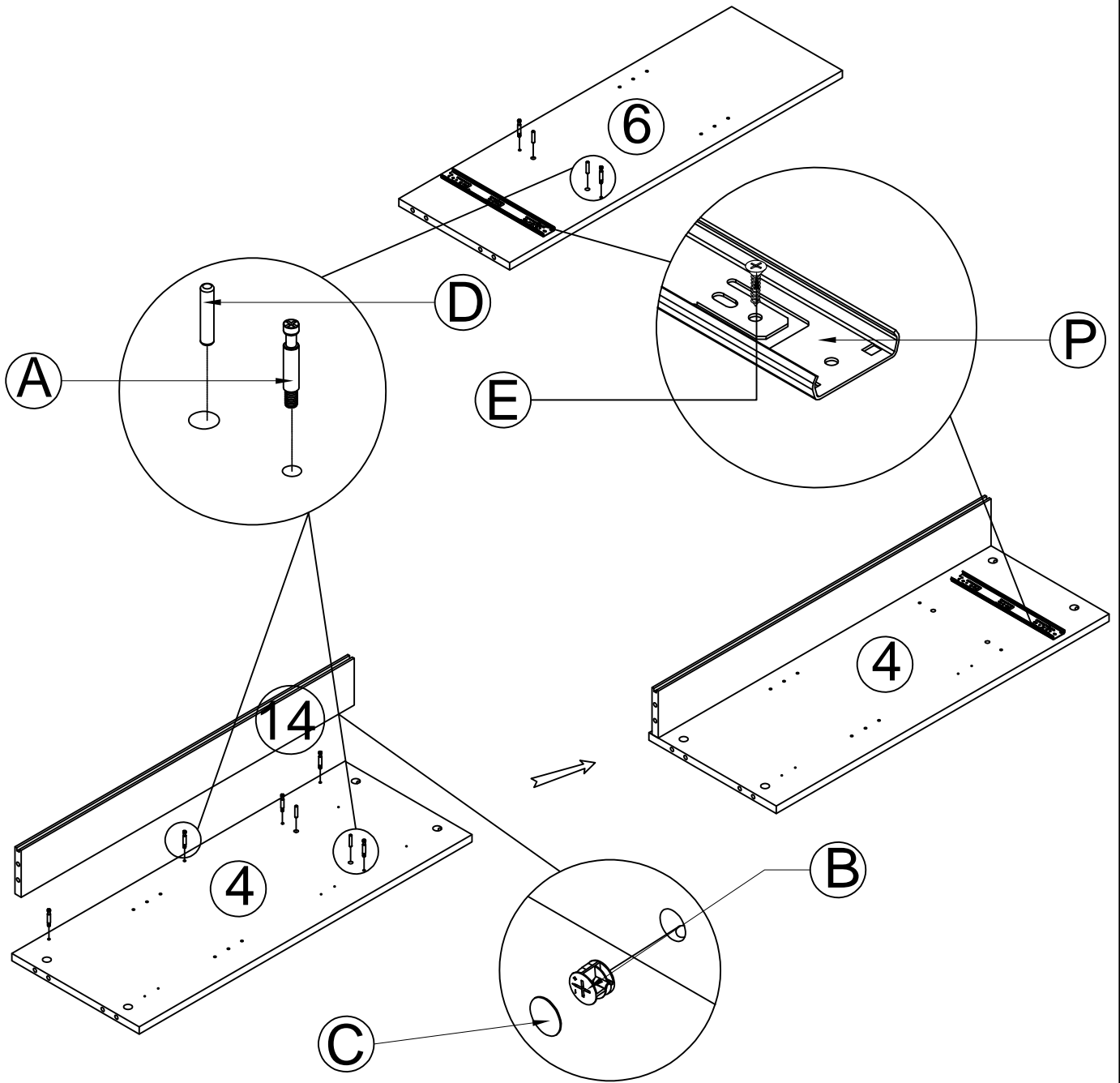
D



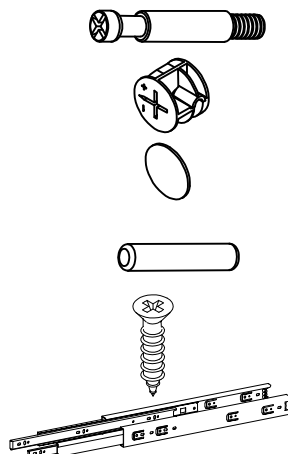
[x16]



3

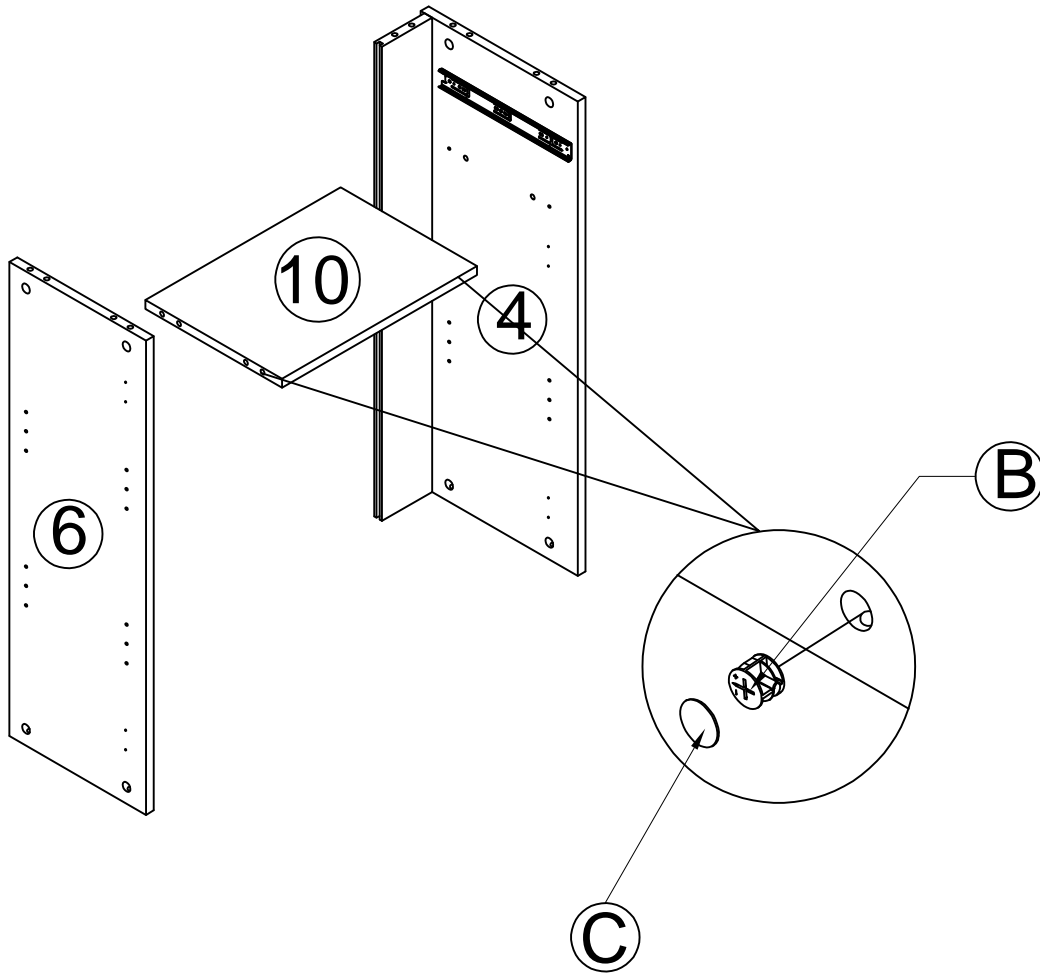


A
B
C
D
E
P



[x7]
[x3]
[x3]
[x4]
[x6]
[x1]

4



(B)



[x4]

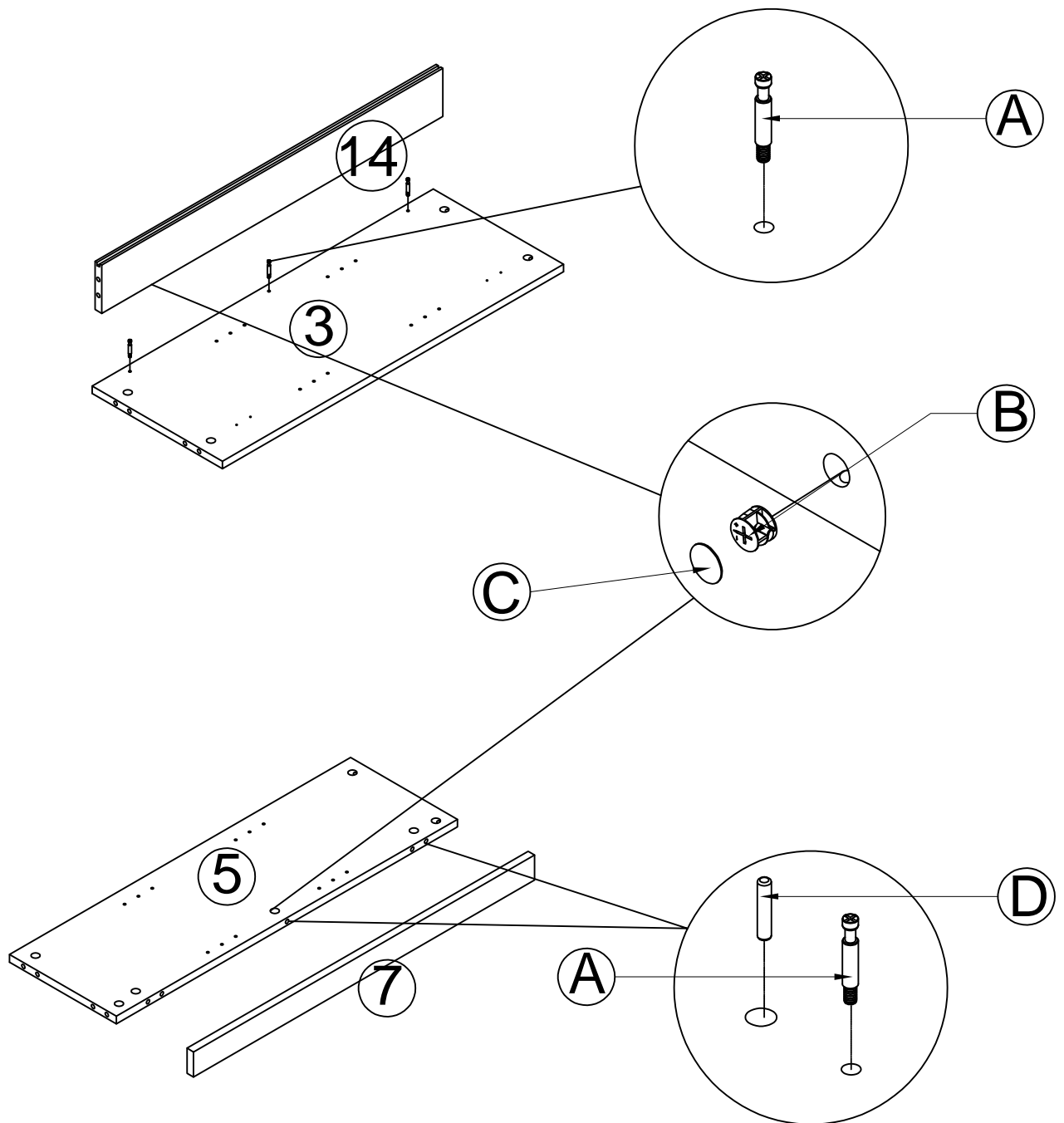
(C)



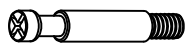
[x4]



5



A



[x6]

B



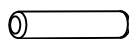
[x6]

C



[x6]

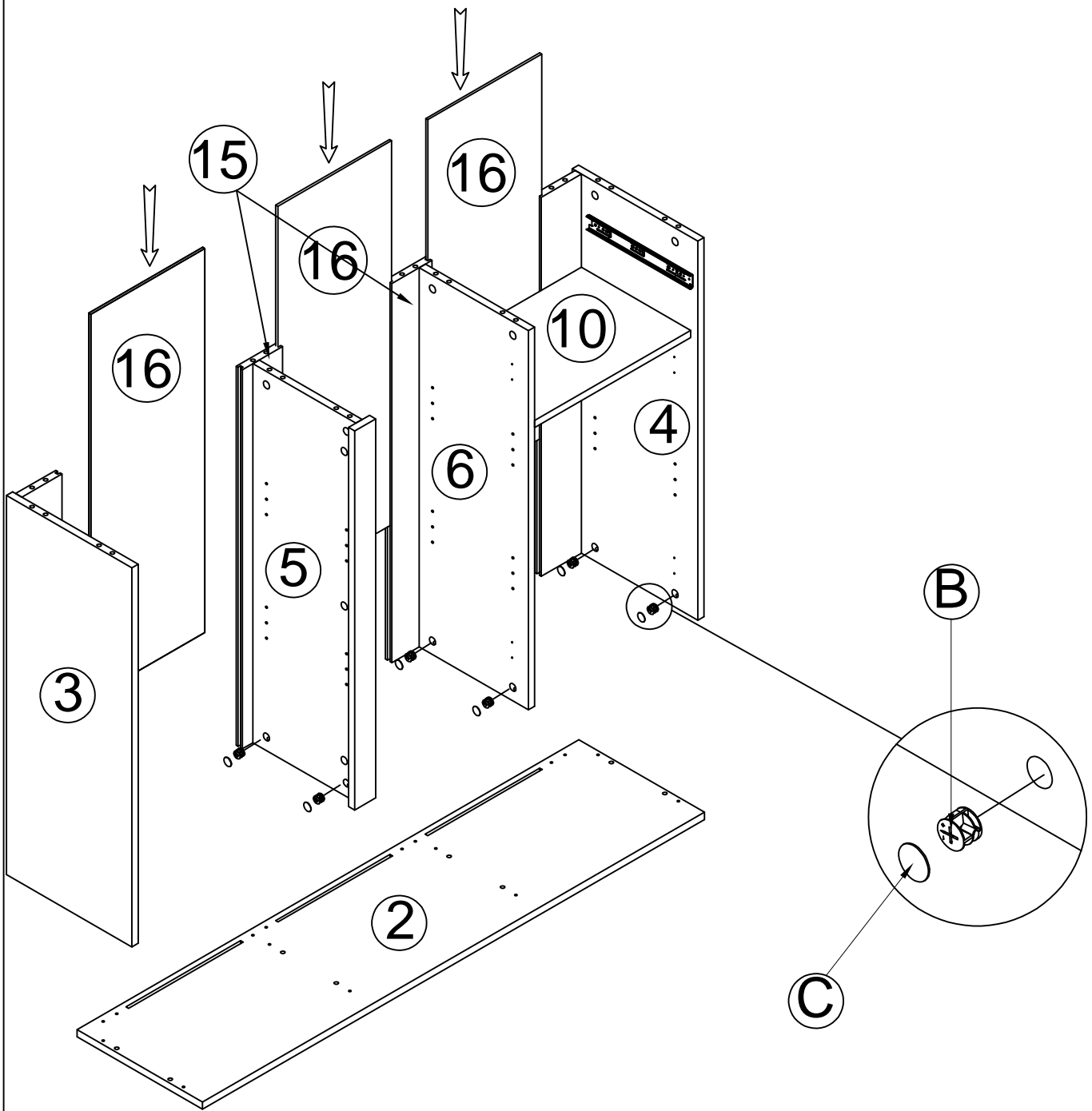
D



[x2]



6



B



[x16]

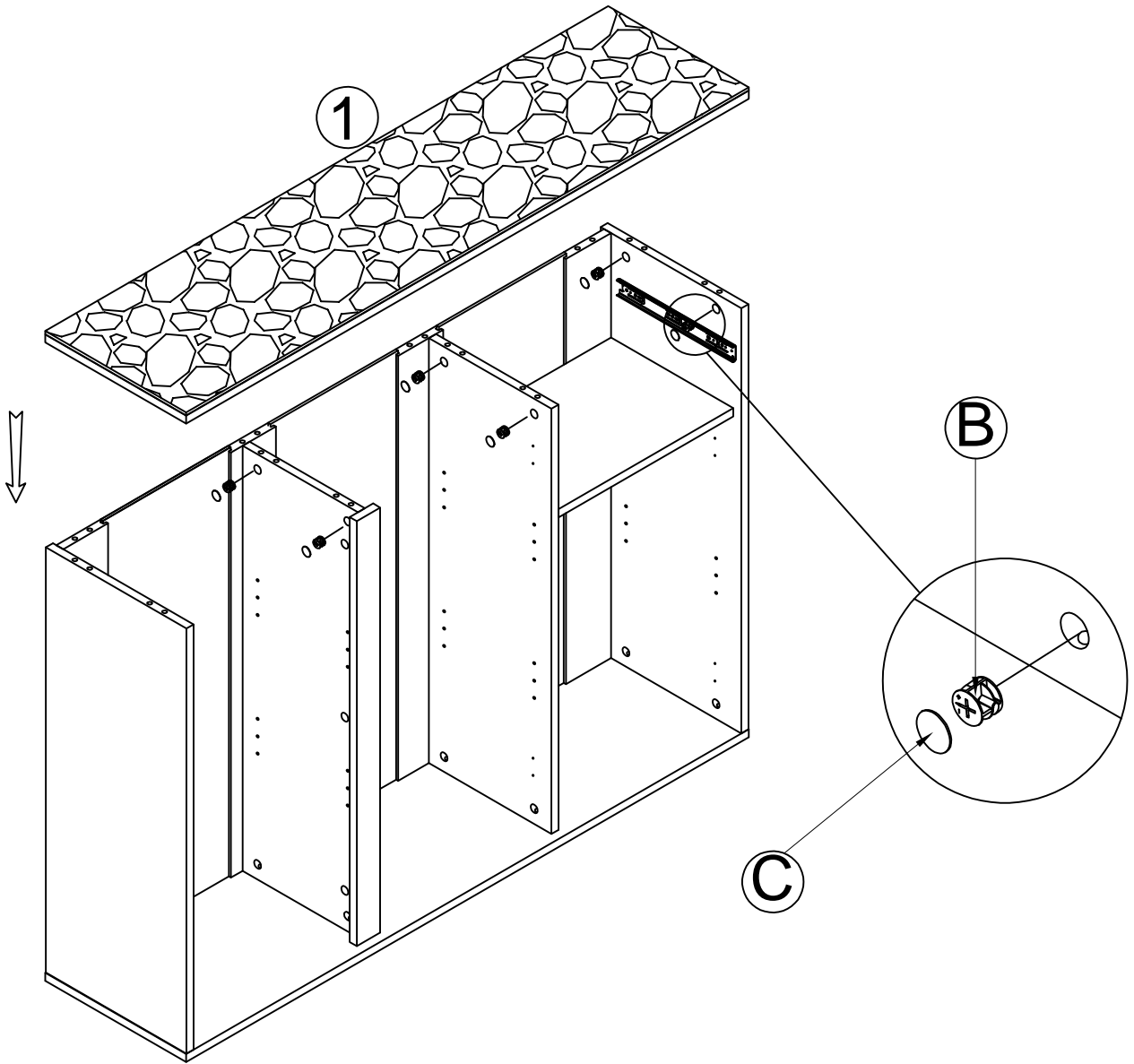
C



[x16]



7



(B)



[x16]

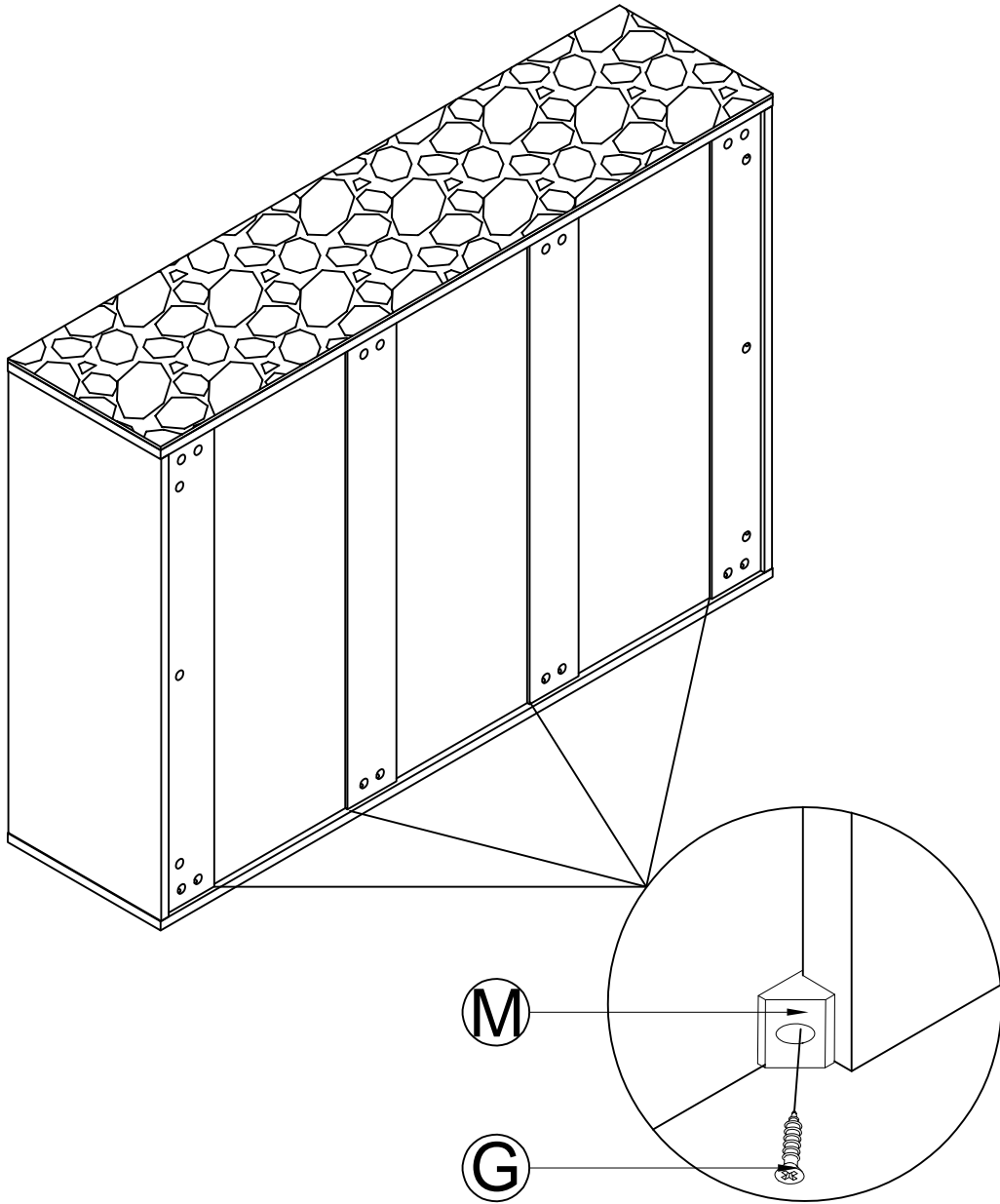
(C)



[x16]



8



G



[x12]

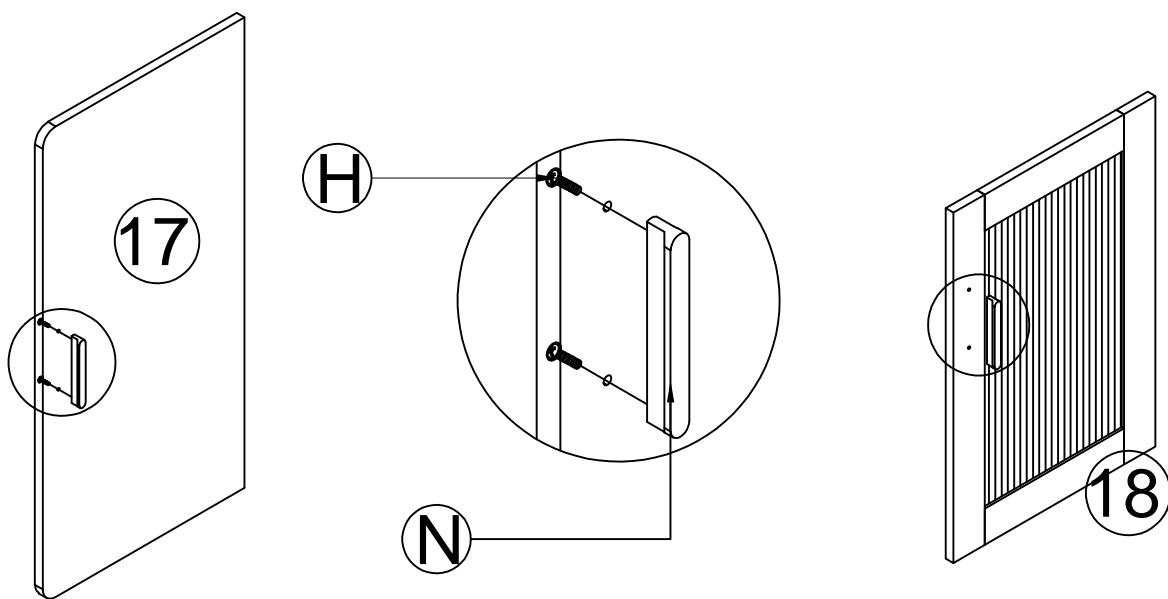
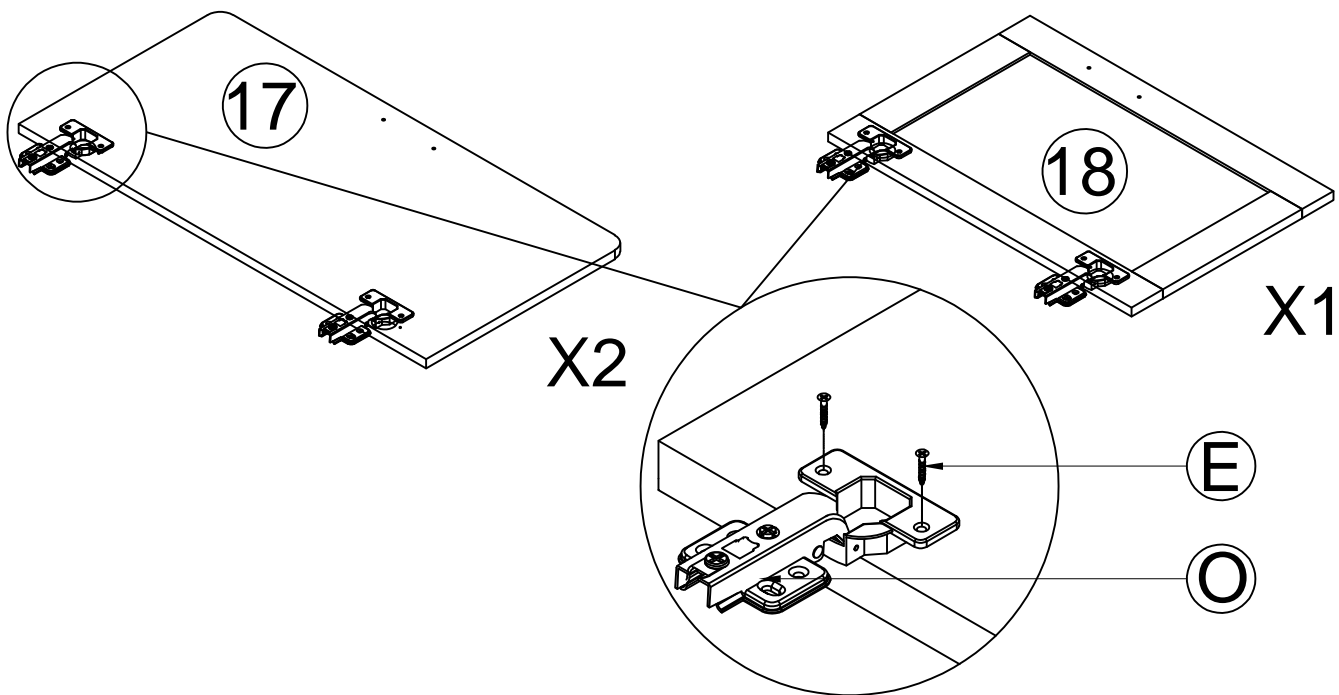
M



[x12]



9

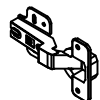


(E)



[x12]

(O)



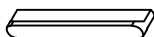
[x6]

(H)



[x6]

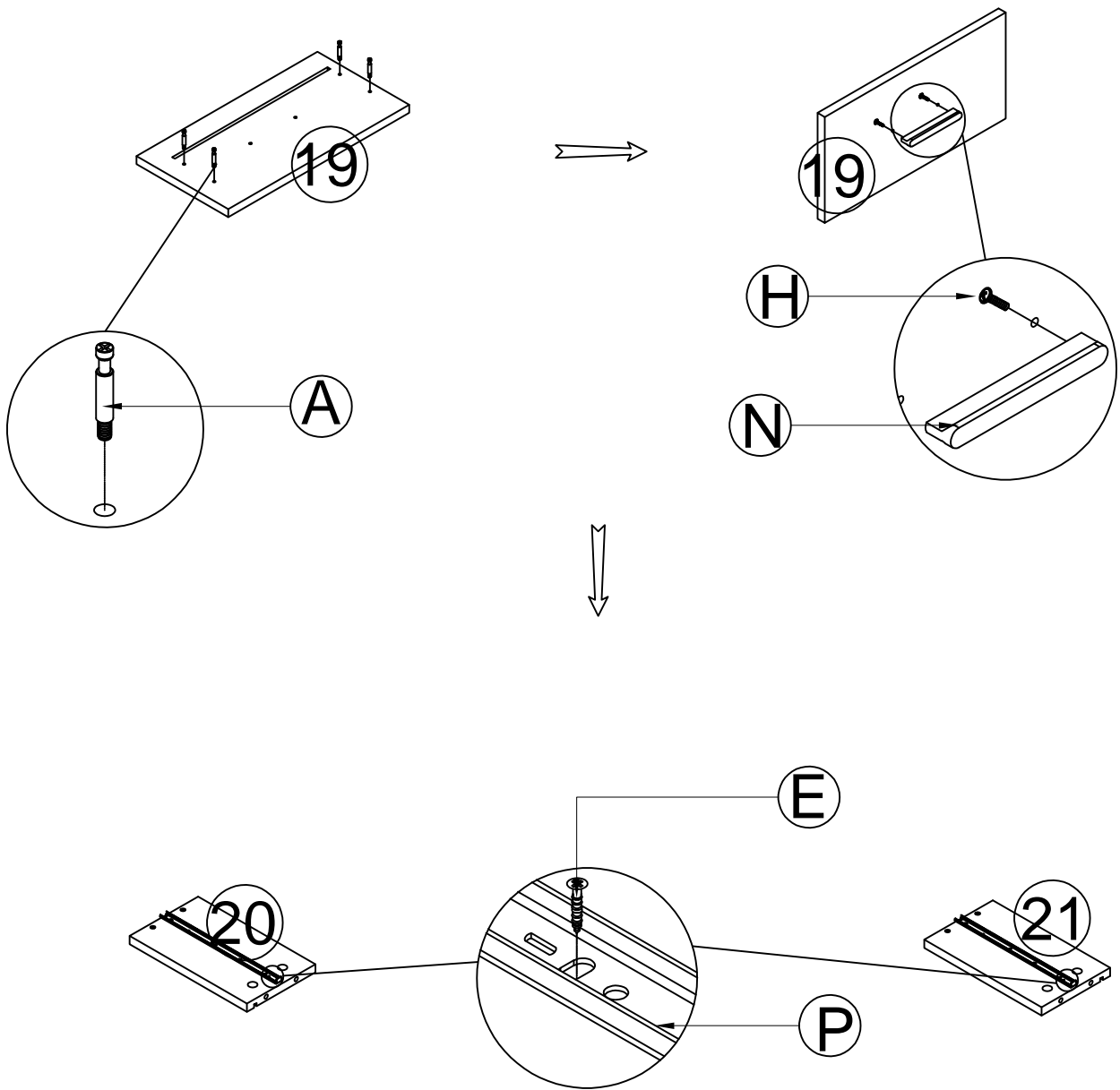
(N)



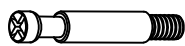
[x3]



10



A



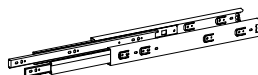
[x4]

E



[x4]

P



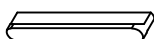
[x1]

H

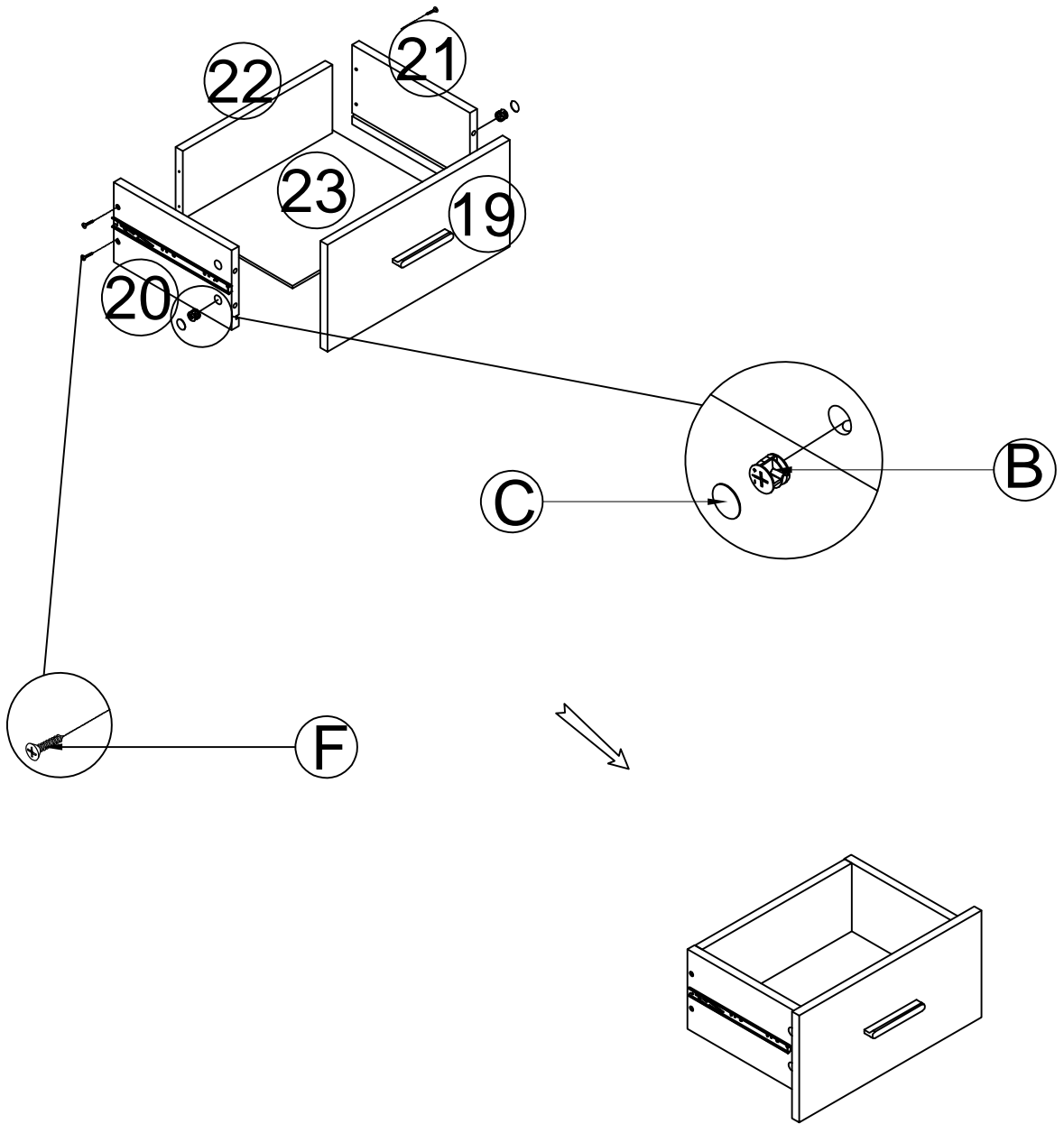


[x2]

N



[x1]



(B)



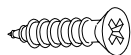
[x4]

(C)



[x4]

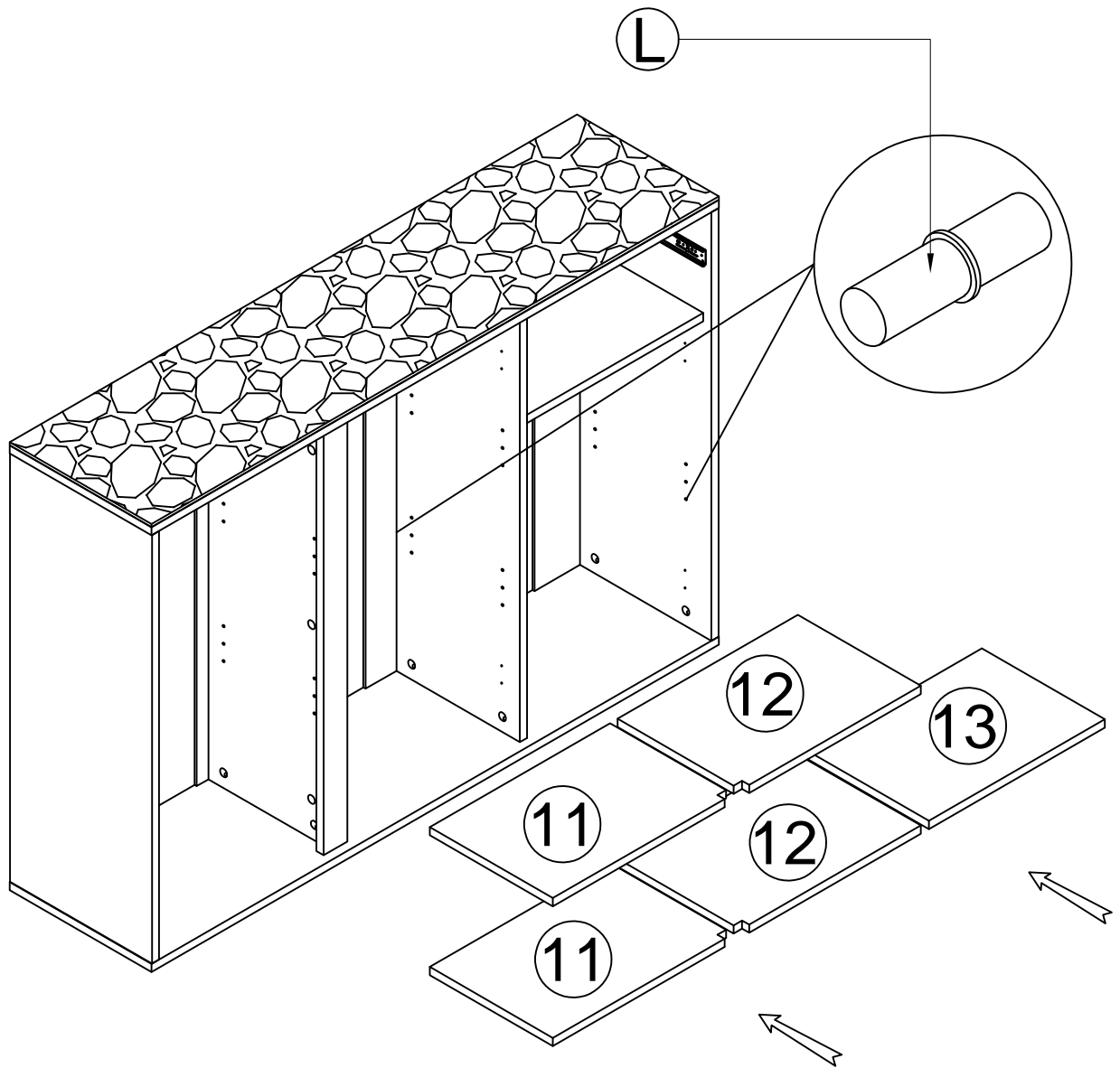
(F)



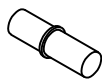
[x4]



12

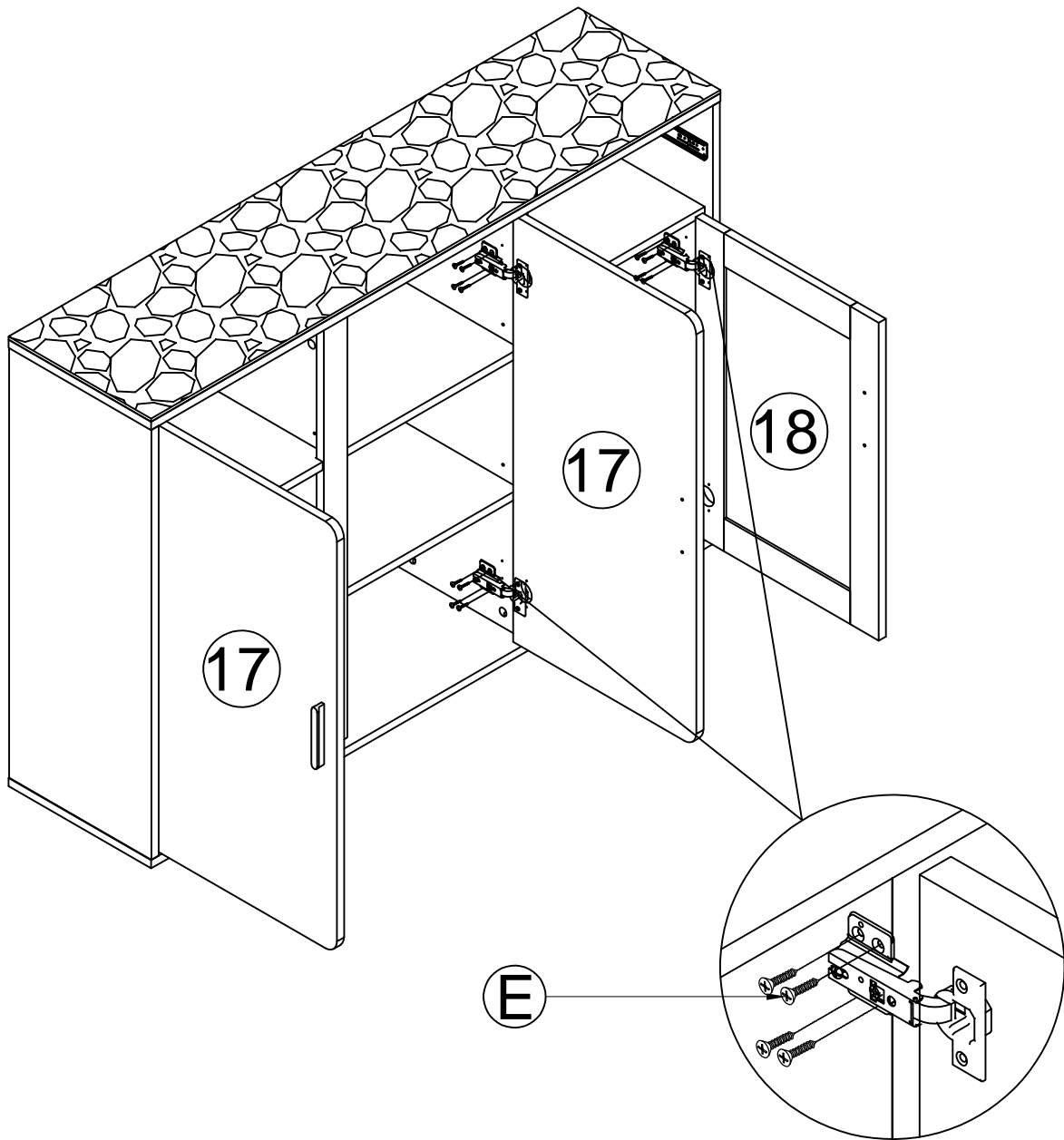


L



[x20]

13

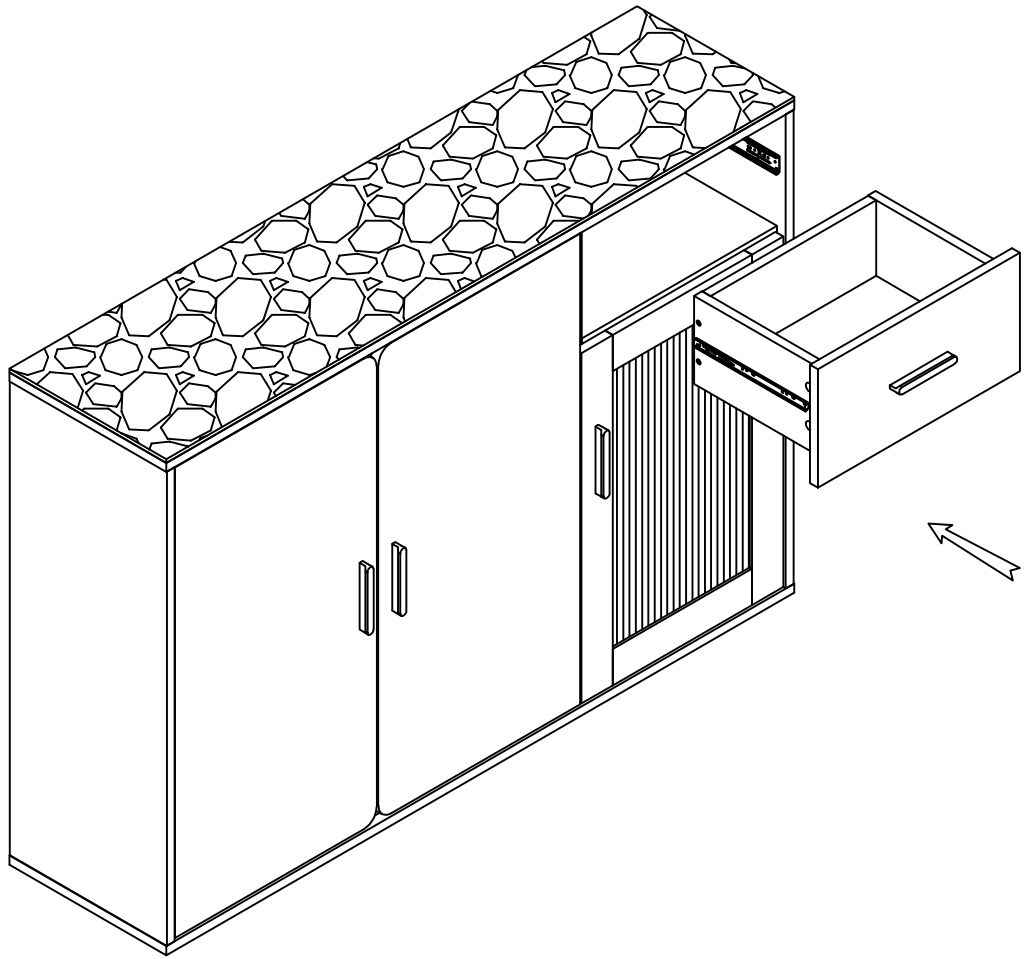


E



[x24]





15

1 Wall



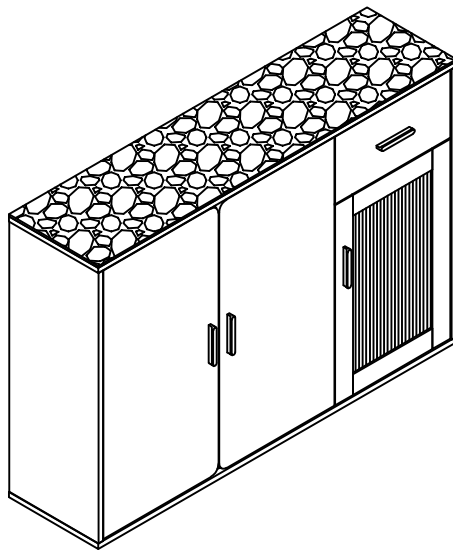
2 Wall



3 Wall



4 Wall



Q

Q



[x2]

