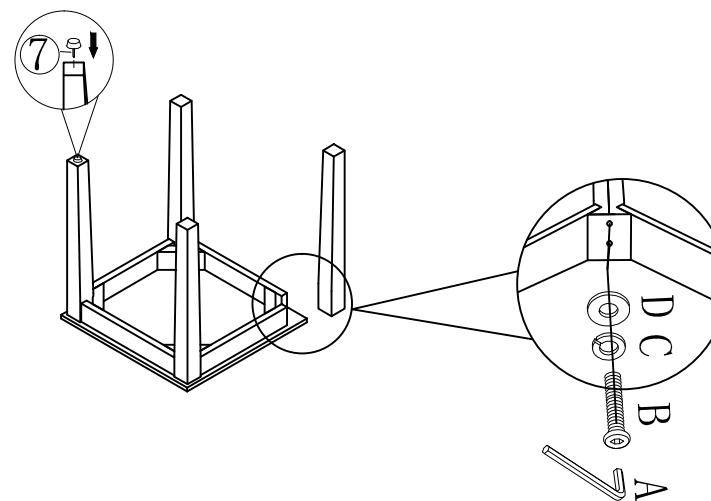
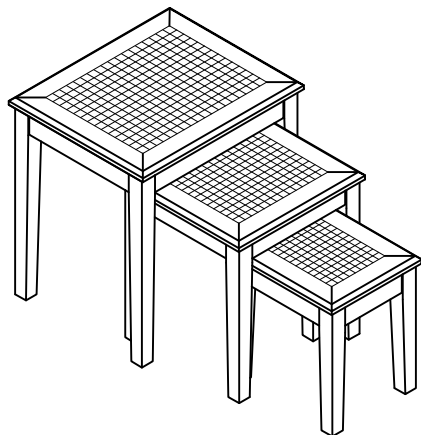


ASSEMBLY INSTRUCTIONS & PARTS IDENTIFICATION



		Large	Middle	Small
A	Allen Wrench 4MM	1PC		
B	Screw $\phi 1/4 \times 2''$	8PCS	8PCS	8PCS
C	Lock Washer $\phi 1/4''$	8PCS	8PCS	8PCS
D	Flat Washer $\phi 1/4'' \times 16MM$	8PCS	8PCS	8PCS
1	L/Top	1PC		
2	M/Top		1PC	
3	S/Top			1PC
4	L/Leg	4PCS		
5	M/Leg		4PCS	
6	S/Leg			4PCS
7	Floor Glide	4PCS	4PCS	4PCS

