

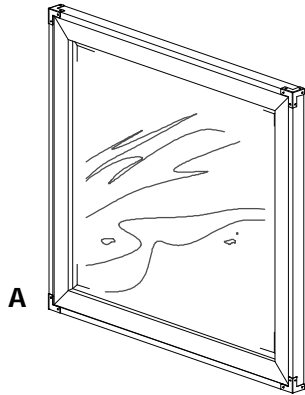
DRESSER MIRROR

ASSEMBLY INSTRUCTIONS

PARTS AND FITTING PACKAGING DETAIL

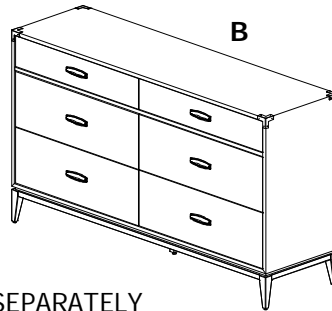
BOX DRESSER MIRROR

A. DRESSER MIRROR 1 PC



BOX DRESSER *

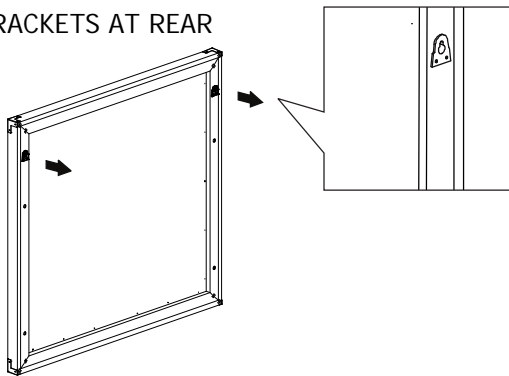
B. DRESSER 1 PC
C. DRESSER MIRROR SUPPORT HARDWARE POUCH** 2 PCS



*SOLD SEPARATELY

OPTION 1 WALL MOUNTING

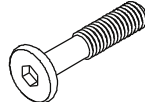

FIX DRESSER MIRROR TO WALL USING KEYHOLE BRACKETS AT REAR



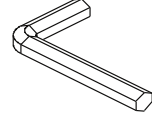
! WARNING

FOR YOUR SAFETY AND CONVENIENCE
ASSEMBLY BY TWO PEOPLE IS RECOMMENDED

HARDWARE** POUCH PACKED IN BOX DRESSER

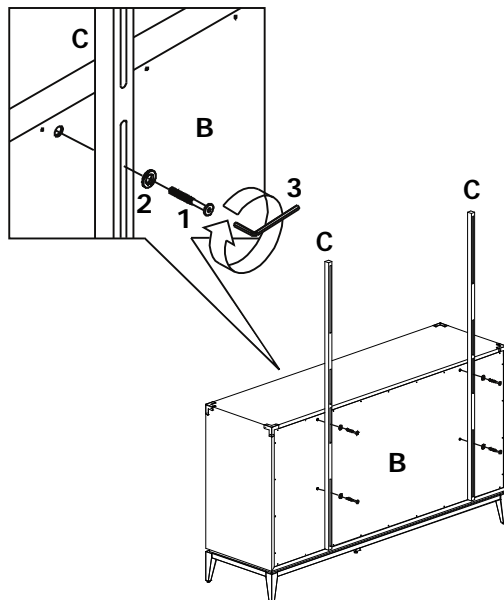
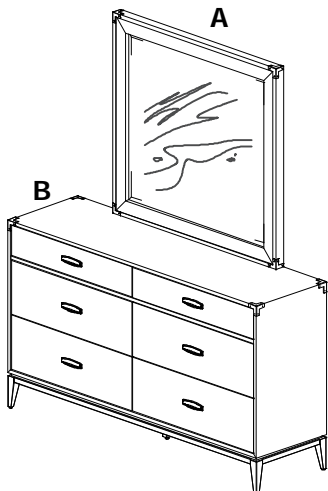
1	ALLEN BOLTS 40MM	8 PCS	2	WASHER	8 PCS
					

TOOL REQUIRED:

3	ALLEN KEY	1 PC
		

OPTION 2 DRESSER MOUNTING

STEP 1 : FIX DRESSER MIRROR SUPPORTS (C) TO DRESSER (B) USING ALLEN BOLTS (1) AND WASHERS (2). TIGHTEN BOLTS WITH ALLEN KEY (3). DO NOT TIGHTEN BOLTS COMPLETELY UNTIL YOU HAVE COMPLETED STEP 2.



STEP 2 : FIX DRESSER MIRROR (A) TO DRESSER MIRROR SUPPORTS (C) WITH ALLEN BOLTS (1) AND WASHERS (2). TIGHTEN ALL BOLTS WITH ALLEN KEY (3).

