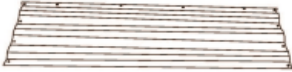


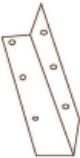


















Installation Instruction

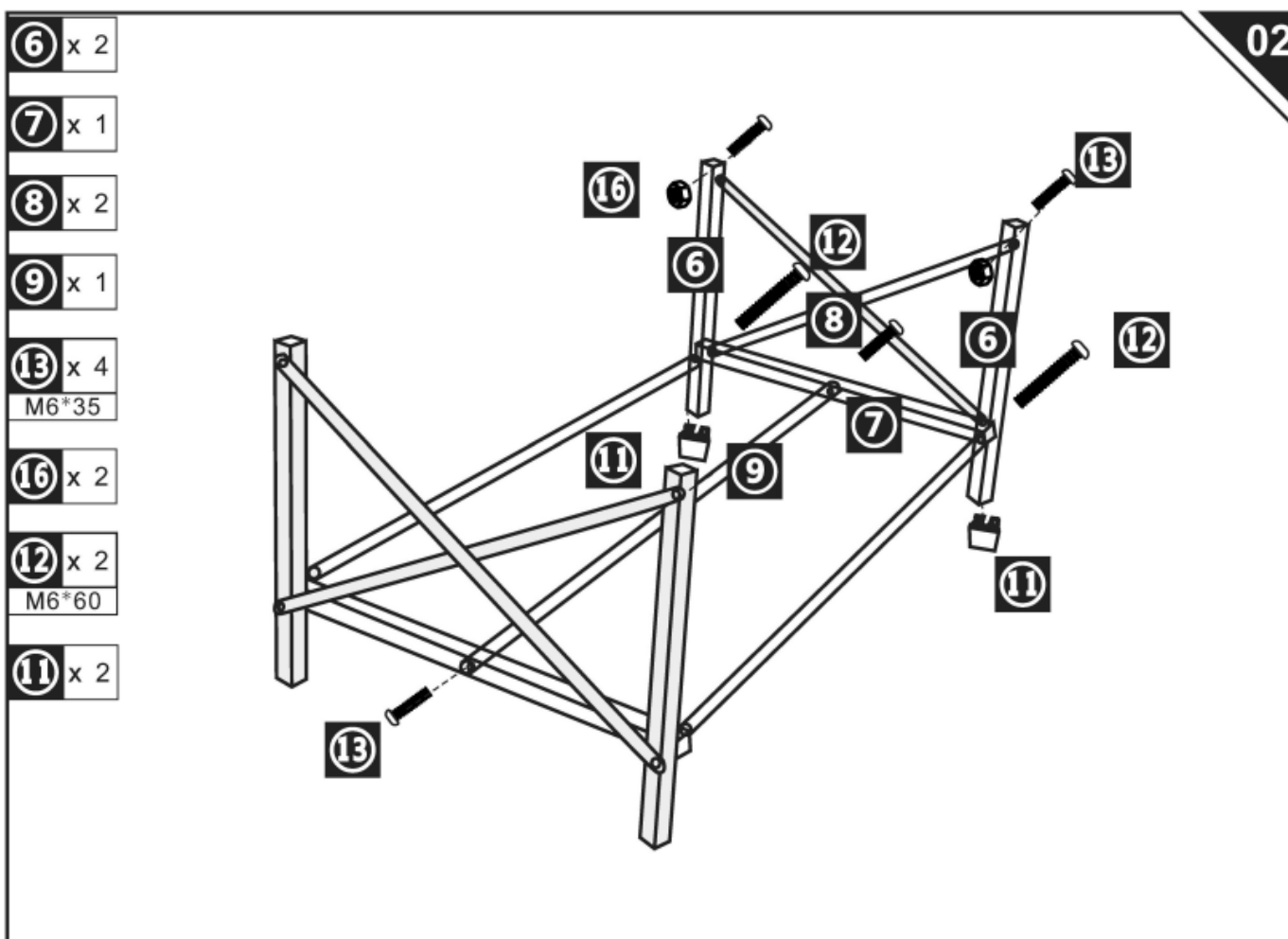
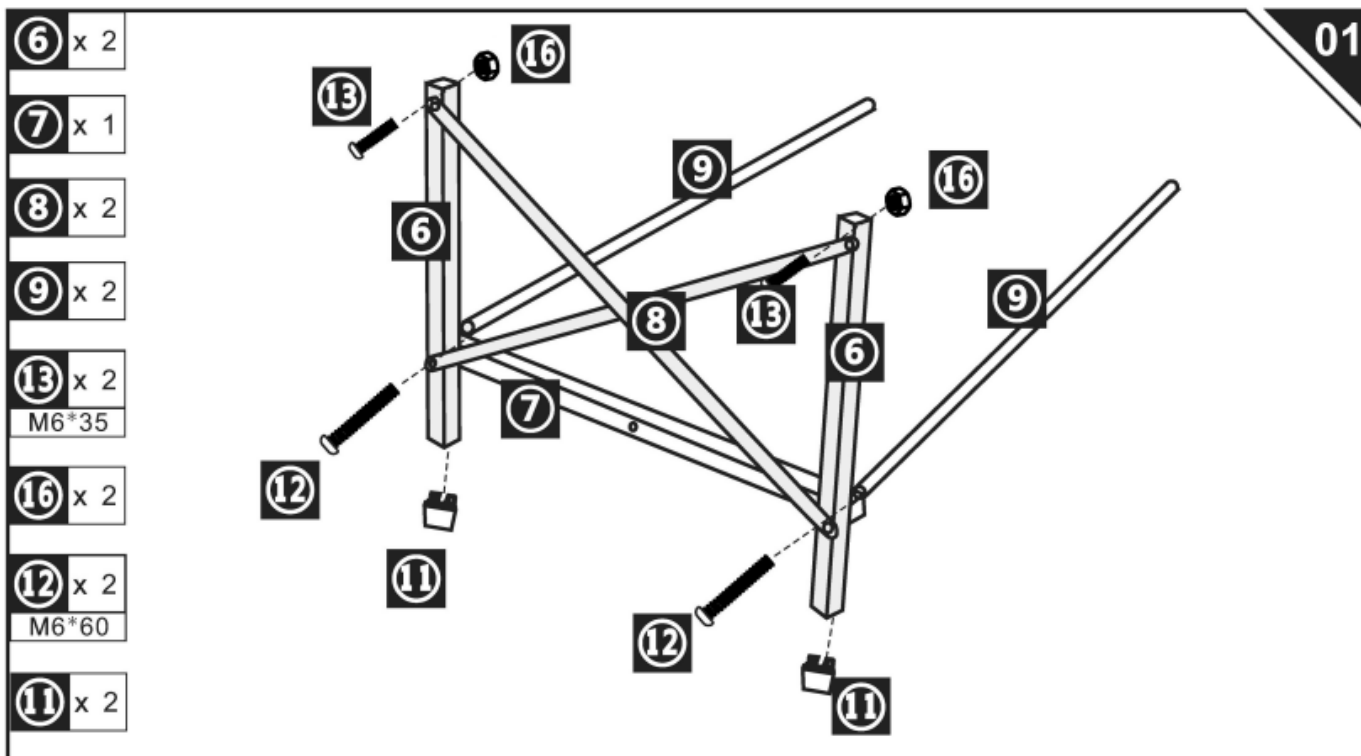
Raised Garden Bed



Accessories List

 1 x 2	 2 x 2	 3 x 5		
 4 x 4	 5 x 2	 6 x 4		
 7 x 2	 8 x 4	 9 x 3	 10 x 4	
 11 x 12	 12 x 4 M6*60 +1(spare)	 13 x 18 M6*35 +1(spare)	 14 x 24 +1(spare)	 15 x 24 M5*10 +1(spare)
 16 x 12 +1(spare)	 17 x 8	 18 x 1	 19 x 1	 20 x 1

ASSEMBLY INSTRUCTIONS

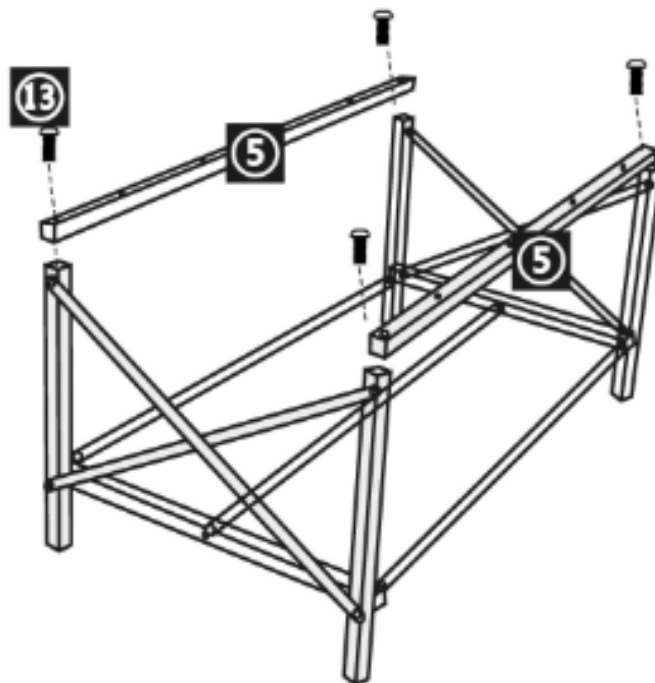


ASSEMBLY INSTRUCTIONS

5 x 2

13 x 4
M6*35

03

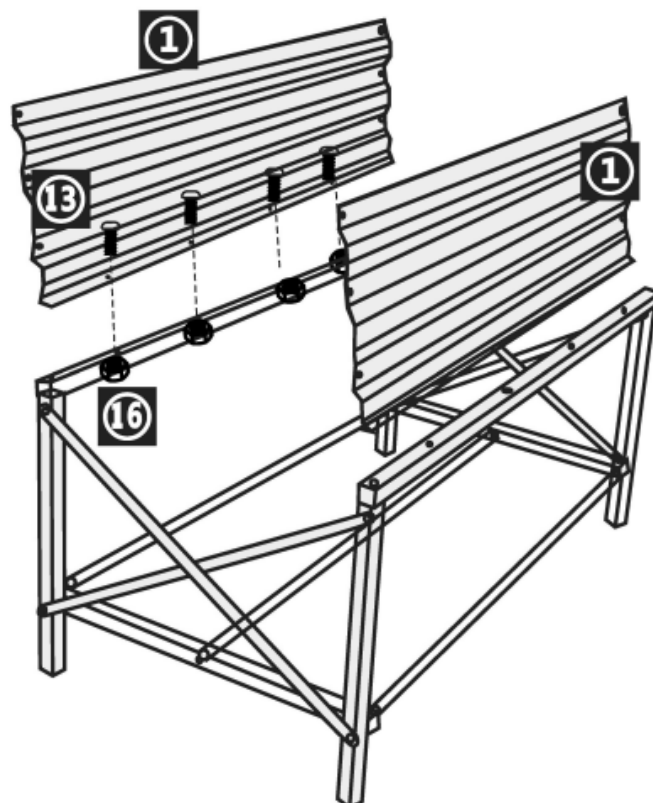


1 x 2

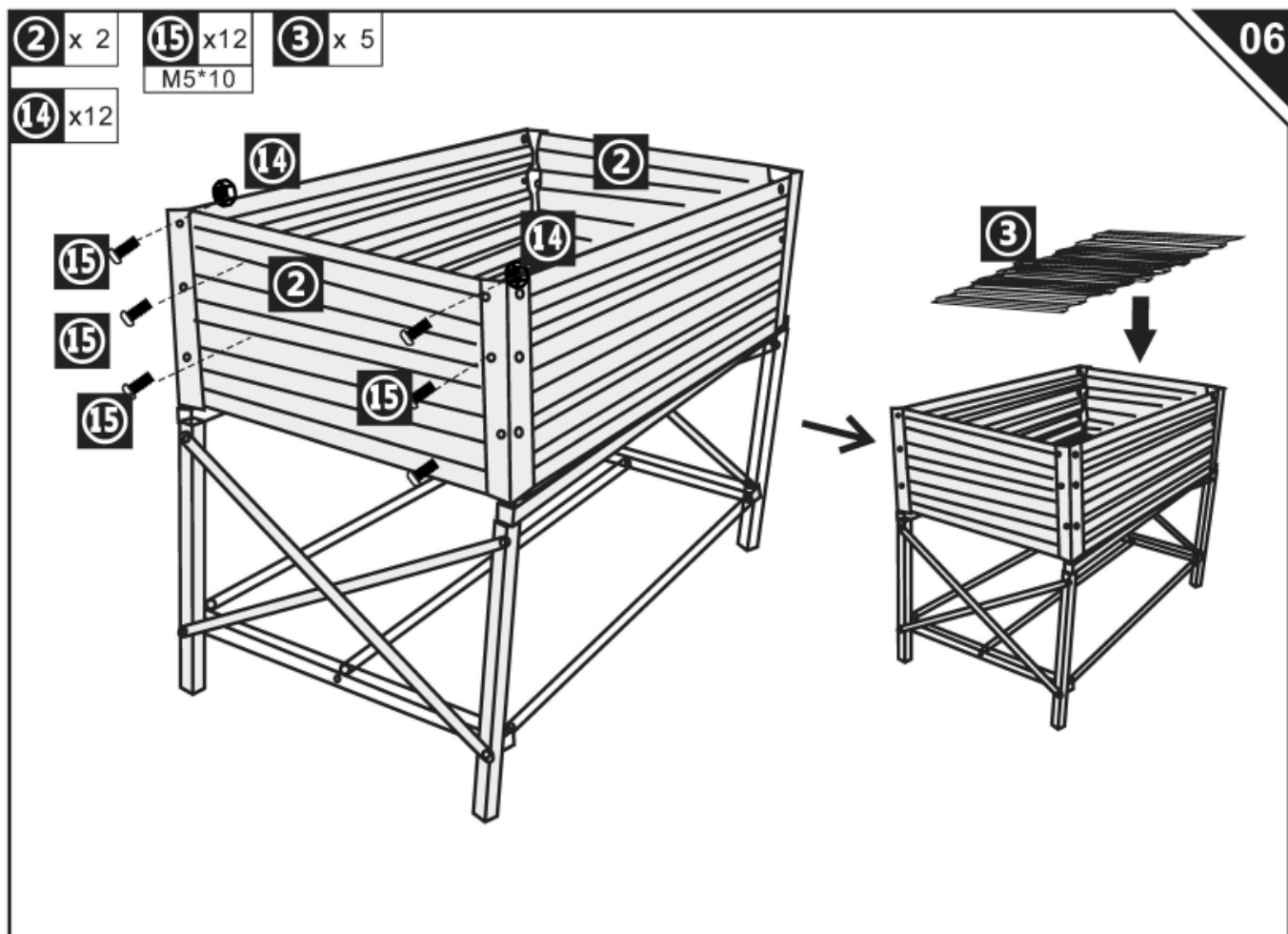
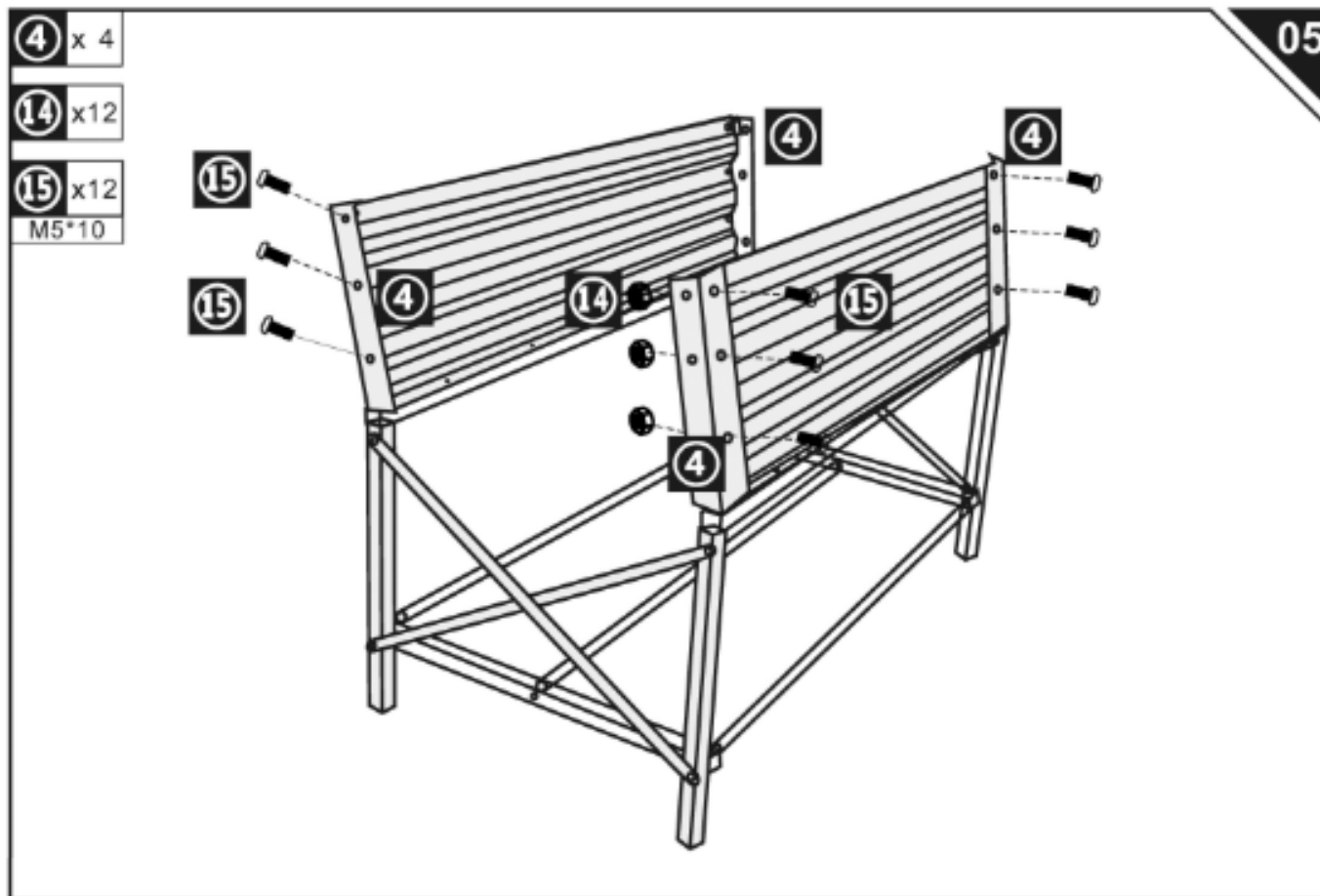
16 x 8

13 x 8
M6*35

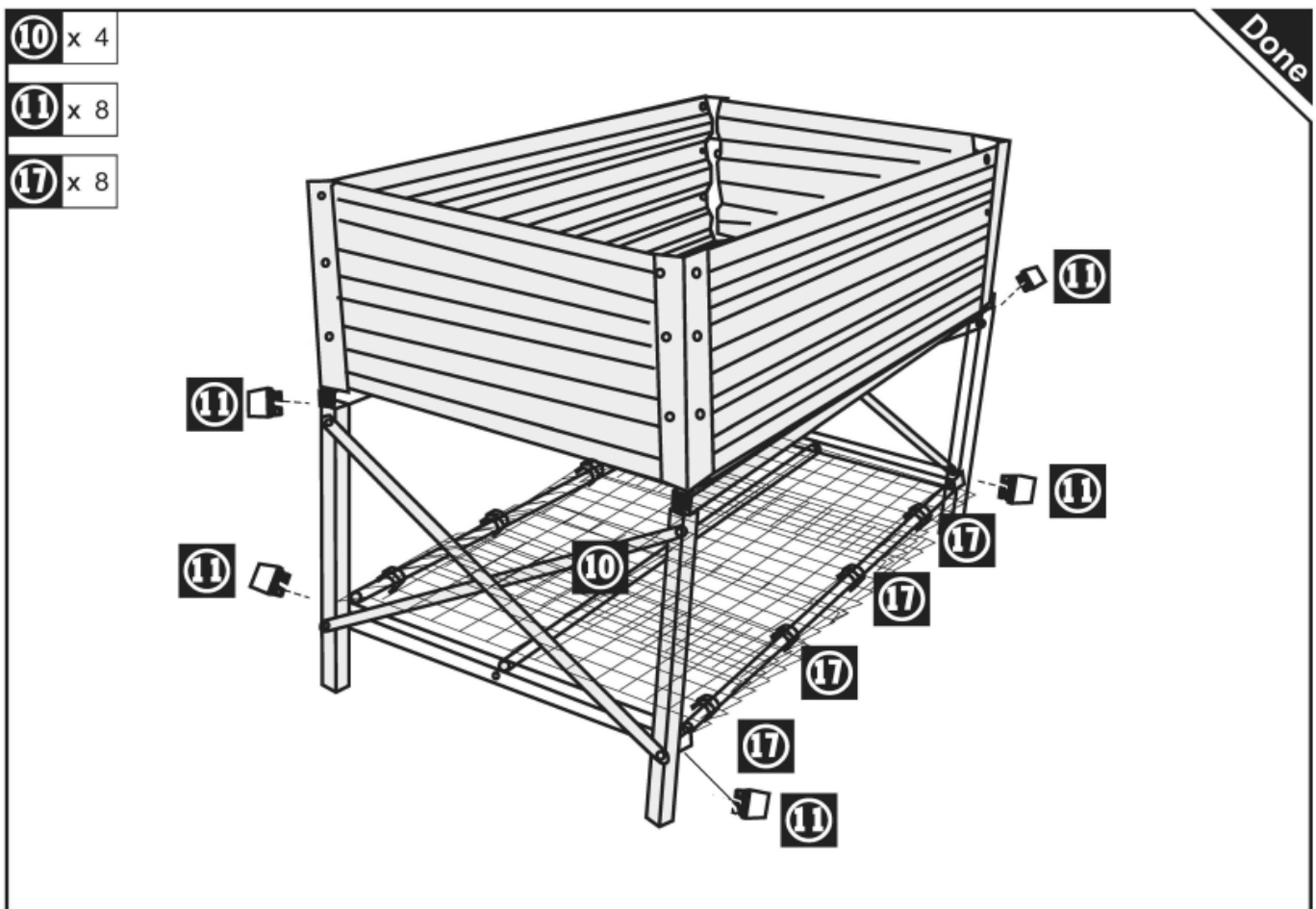
04



ASSEMBLY INSTRUCTIONS



ASSEMBLY INSTRUCTIONS



Warm Tips

Tip 1: It is better to wear gloves to protect your hands when installing the raised flower bed.

Tip 2: If the package is damaged or missing any parts during transportation, please contact us in time.

Tip 3: If the panels are bent or distorted during transportation, they can be restored to their original shape by tapping with a rubber mallet.