

# ASSEMBLY INSTRUCTIONS

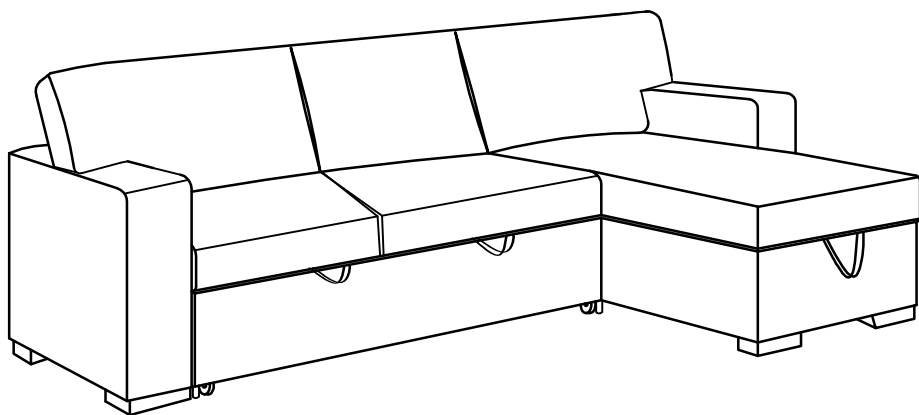
---

## TOOLS REQUIRED



Phillips Screwdriver

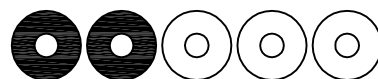
(Not Included)



2 - People

Recommended

## ASSEMBLY RATING



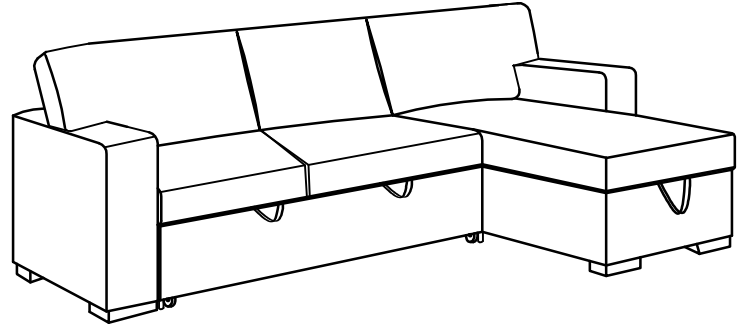
EASY —————> DIFFICULT

The Assembly Rating is a 5-point system showing the level of effort needed to assemble a specific product.

# SOFA

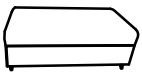


- Please keep instructions for future reference.
- Check the quantity and irregularity of parts and hardware before you start.



## PARTS

#1 1pc



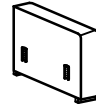
Love seat

#2 1pc



Chaise

#3 2pcs



Arm (L&R)

#4 1pc



Backrest (Long)

#5 1pc



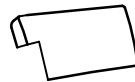
Backrest (Short)

#6 1pc



Cushion

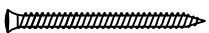
#7 2pcs



Cushion (L&R)

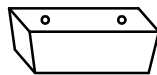
## HARDWARE

#A 10pcs



Screw #8 x 40mm

#B 2pcs



Legs

#C 6pcs



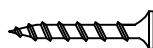
Legs

#D 4pcs



Roller

#E 16pcs



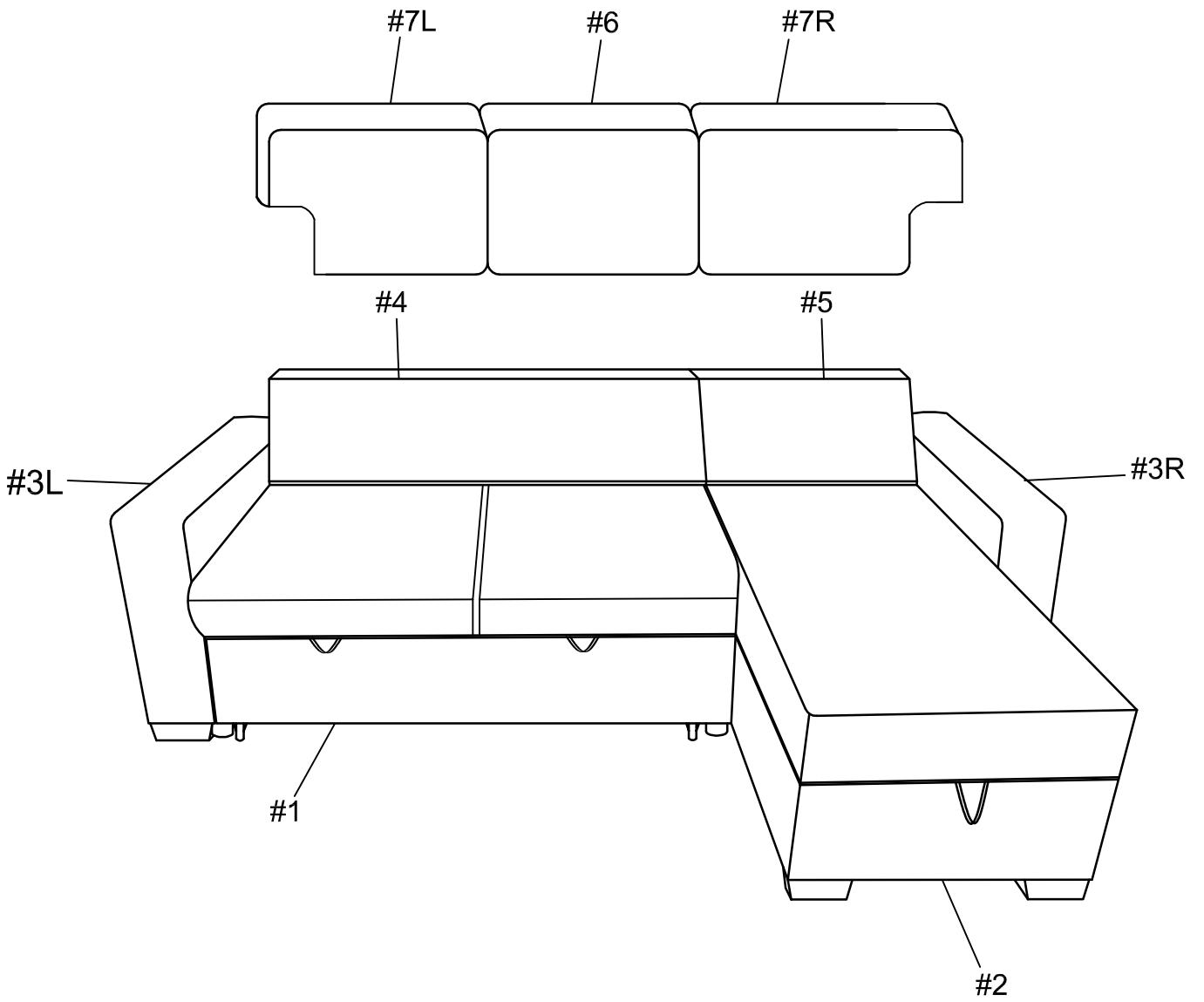
Screw #8 x 20mm

#F 4pcs



Bracket

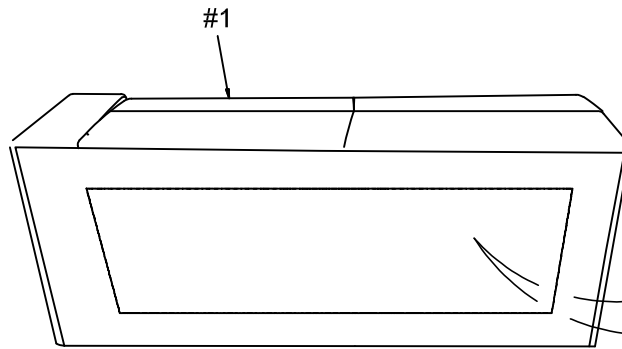
# Exploded View



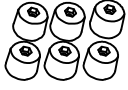


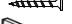




# ASSEMBLY INSTRUCTIONS

1

Part #1 x1pc

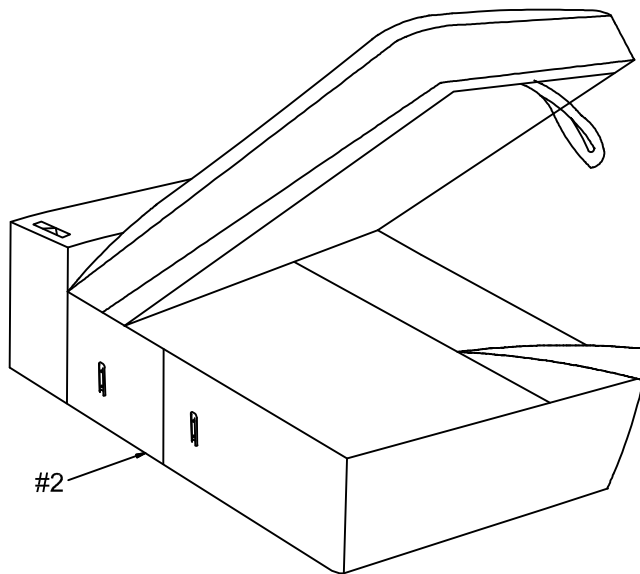



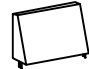

-  #Ax10pcs
-  #B x2pcs
-  #Cx6pcs
-  #D x4pcs
-  #D x4pcs
-  #E x16pcs
-  #F x4pcs
-  #7x2pcs

These parts are stored inside of #1 during shipment. Take them out before installation.

2

Part #2 x1pc



-  #4
-  #5
-  #6

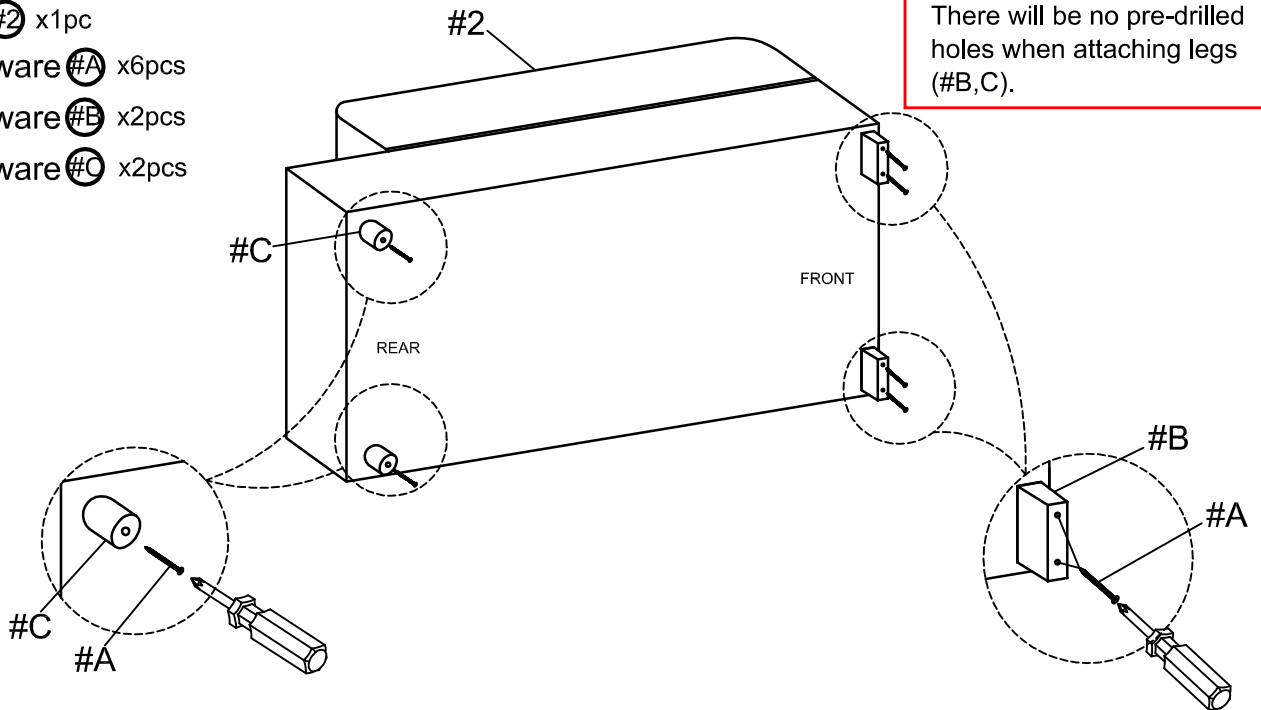
These parts are stored inside of #2 during shipment. Take them out before installation.

# ASSEMBLY INSTRUCTIONS

## 3

Align legs (#B,C) to the corner of the chaise (#2), then secure by using screws (#A).

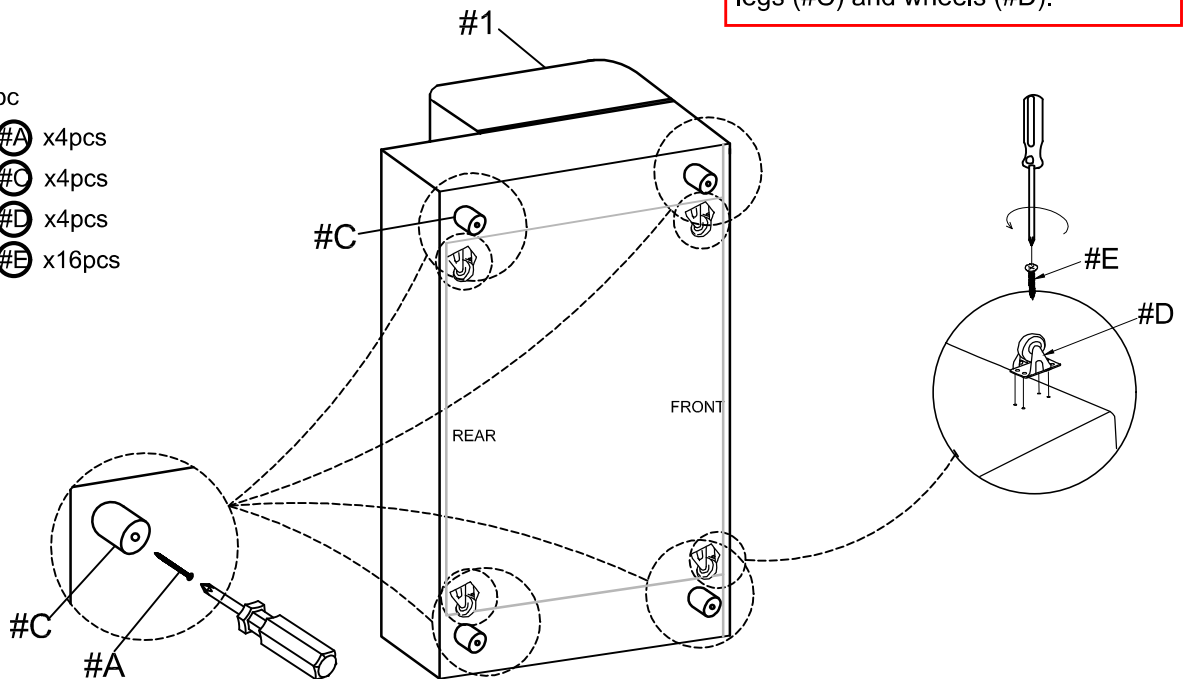
- Part #2 x1pc
- Hardware #A x6pcs
- Hardware #B x2pcs
- Hardware #C x2pcs



## 4

There will be no pre-drilled holes on legs (#C) and wheels (#D).

- Part #1 x1pc
- Hardware #A x4pcs
- Hardware #C x4pcs
- Hardware #D x4pcs
- Hardware #E x16pcs



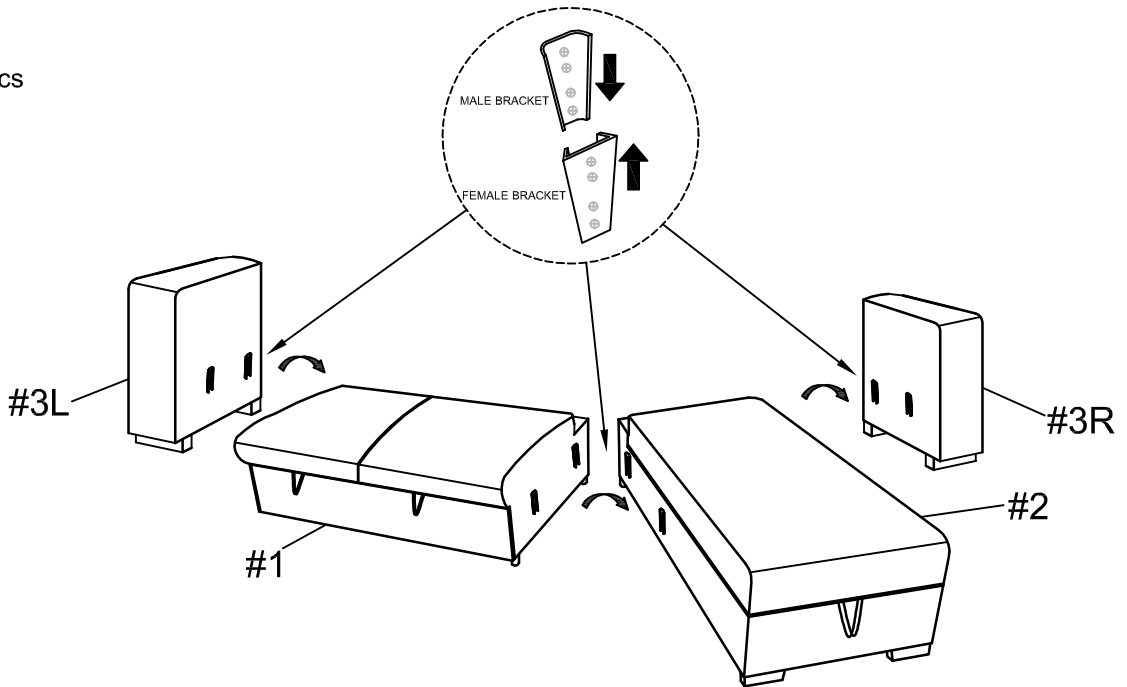
Align legs (#C) and wheels (#D) to the bottom of loveseat (#1), then secure by using screws (#A,E).

# ASSEMBLY INSTRUCTIONS

Align and hook metal brackets of the pieces together.

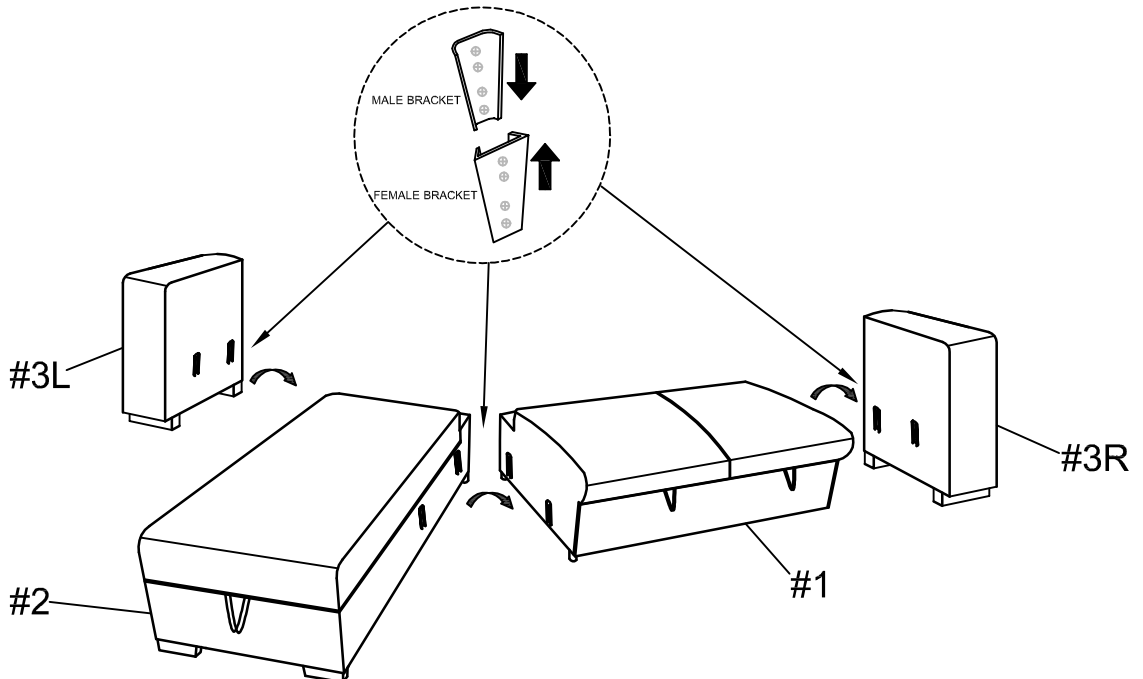
## 5

Part #3 x2pcs



Chaise on the right side assembly

OR



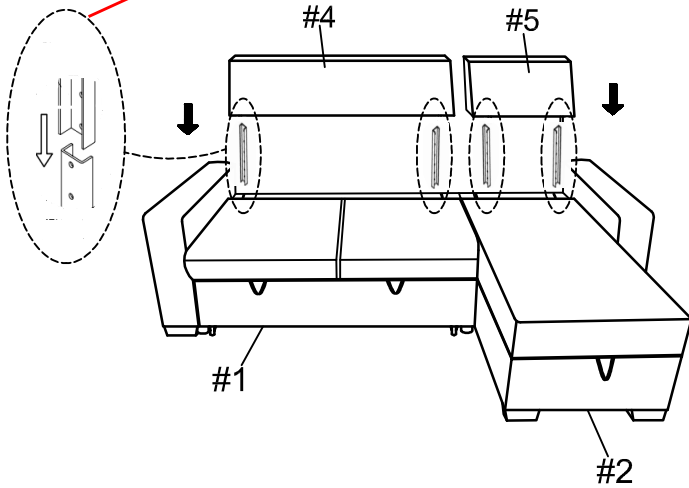
Chaise on the left side assembly

# ASSEMBLY INSTRUCTIONS

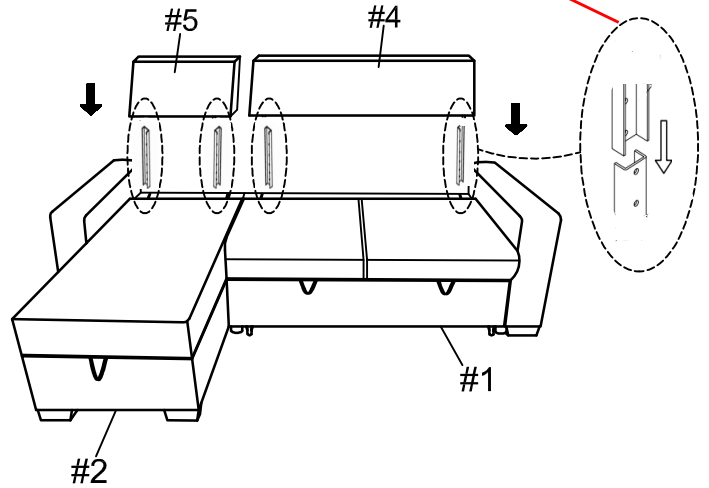
## 6

- Part #4 x1pc
- Part #5 x1pc
- Hardware #F x4pc

Align and attach bracket (#F) to backrests (#4,5) and brackets seats (#1,2).



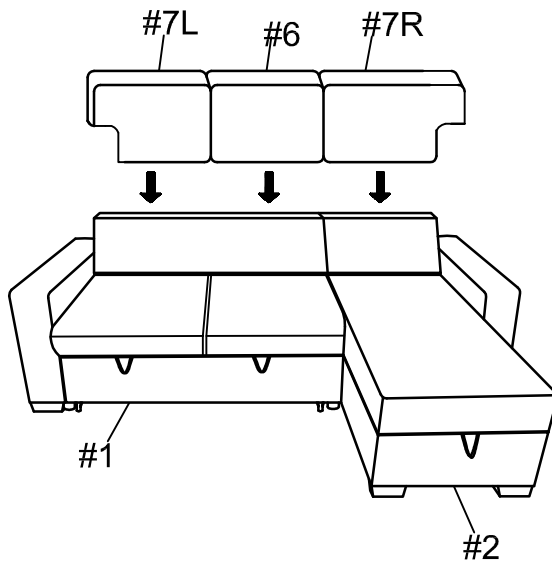
Chaise on the right side assembly



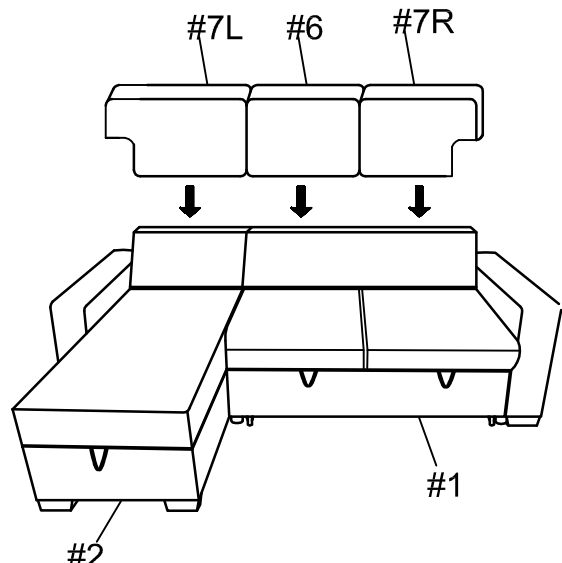
Chaise on the left side assembly

## 7

- Part #6 x1pc
- Part #7 x2pcs



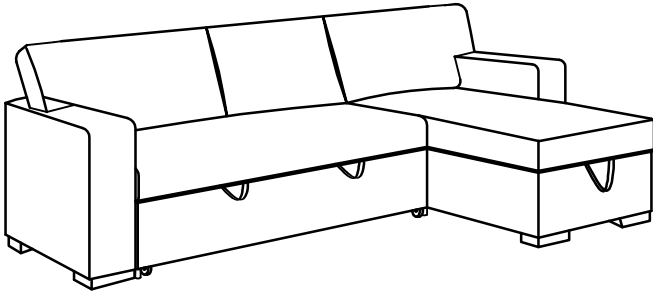
Chaise on the right side assembly



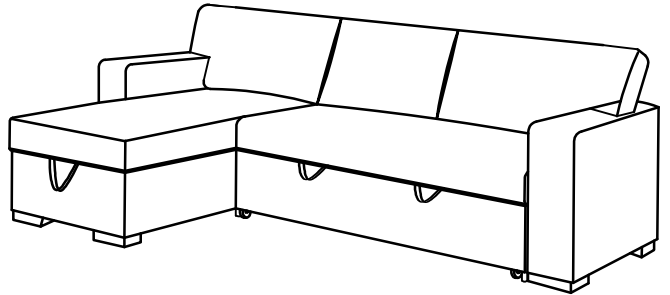
Chaise on the left side assembly

# ASSEMBLY INSTRUCTIONS

8

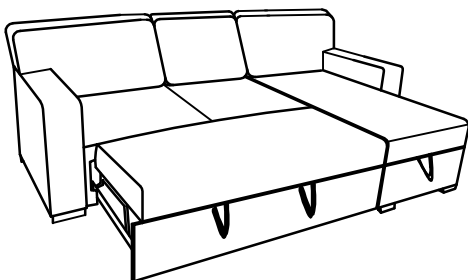
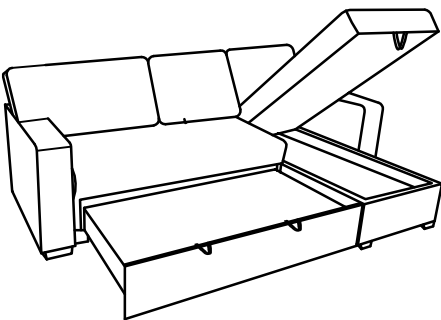


Chaise on the right side assembly

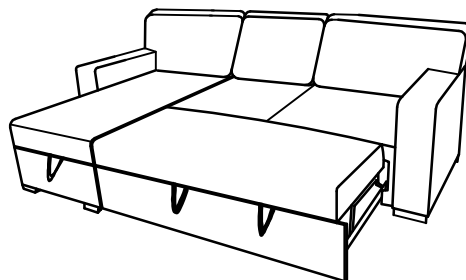
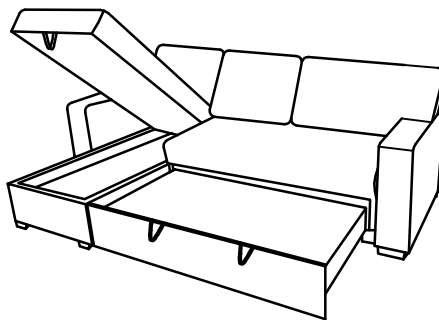


Chaise on the left side assembly

9



Chaise on the right side assembly



Chaise on the left side assembly

## ASSEMBLY COMPLETED



Please ensure the furniture rests on an even and flat surface. If the product wobbles or feels loose, double-check all bolts and/or screws are properly tightened and secured.

### Keep this handy!

Please retain this instruction manual and any order-related information for future reference.

### Lift, don't drag!

To avoid damage to product please always LIFT the product when transporting or adjusting the placement.