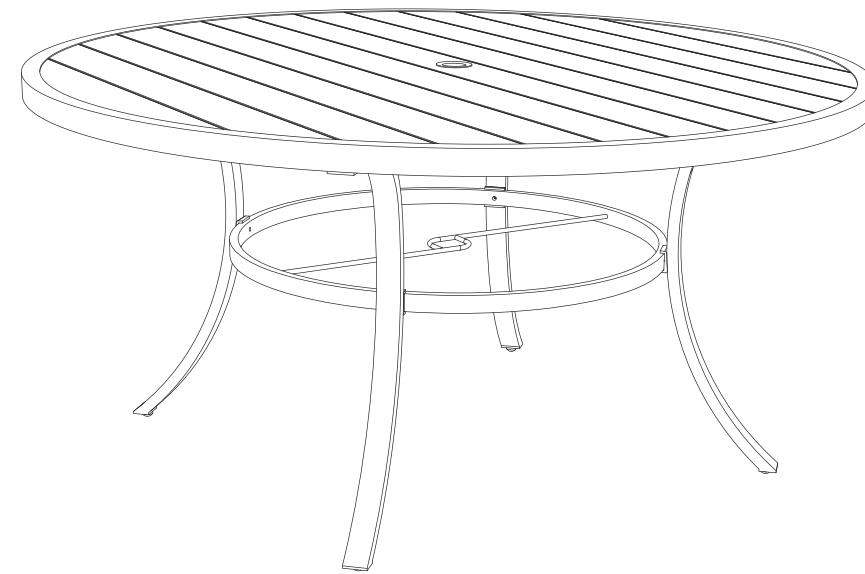


# USE AND CARE GUIDE

---

## O'CONNOR 7-PIECE BLACK WICKER PATIO DINING SET - TABLE



## Table of Contents

Table of Contents .....	2	Hardware Included. ....	3
Safety Information .....	2	Table Package Contents .....	4
Warranty .....	2	Assembly. ....	5
Pre-Assembly .....	3	Care and Cleaning .....	6
Planning Assembly .....	3		

## Important Safety Instructions

### SAVE THESE INSTRUCTIONS

### READ ALL INSTRUCTIONS BEFORE USE

To reduce the risk of injury to persons:

1. Close supervision is necessary when this furnishing is used by or near children, or disabled persons, if applicable.
2. Use this furnishing only for its intended use as described in these instructions. Do not use attachments not recommended by the manufacturer.



**CAUTION:** Read all of the instructions in this manual before you begin assembly. Failure to do so may result in faulty assembly and potential injury!

## Warranty

Thank you for purchasing this product. These products have been made to demanding, high-quality, standards and are guaranteed for domestic use against manufacturing defects for a period of one (1) year following the date of purchase.

The product is guaranteed if used for normal residential purposes. Any warranty is invalid if the product has been overloaded or subject to neglect, improper use or an attempted repair. Heavy-duty or daily professional/commercial usage is not covered by the warranty. Due to continuous product improvement, we reserve the right to change the product specifications without prior notice.

## Pre-Assembly

### PLANNING ASSEMBLY

Please read this entire instruction manual prior to assembly.

Identify all parts packed in the carton against the parts list. Remove all protective materials and place the parts on a non-abrasive surface to avoid scratching.

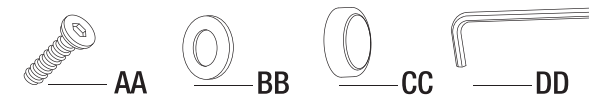


**NOTE:** More than one person may be required to assemble this product.

### HARDWARE INCLUDED



**NOTE:** Hardware not shown to actual size.



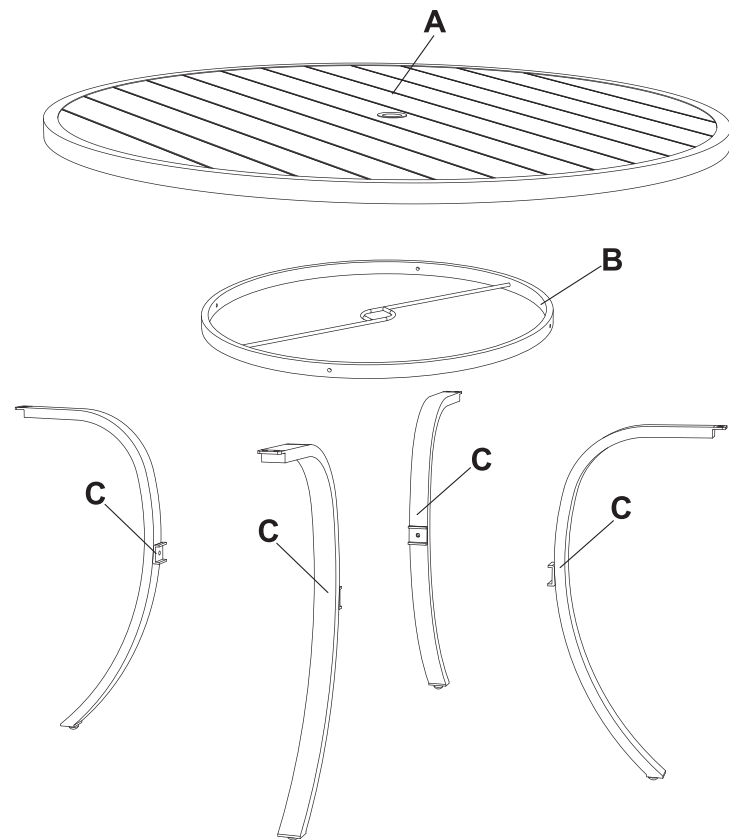
Part	Description	Quantity
AA	M6x20 bolt	12
BB	Washer	12
CC	Bolt cap	12
DD	Allen driver	1

## Pre-Assembly

### TABLE PACKAGE CONTENTS



**IMPORTANT:** Do not fully tighten bolts until all pieces are loosely assembled.



Part	Description	Quantity
A	Table top	1
B	Table shelf	1
C	Table leg	4

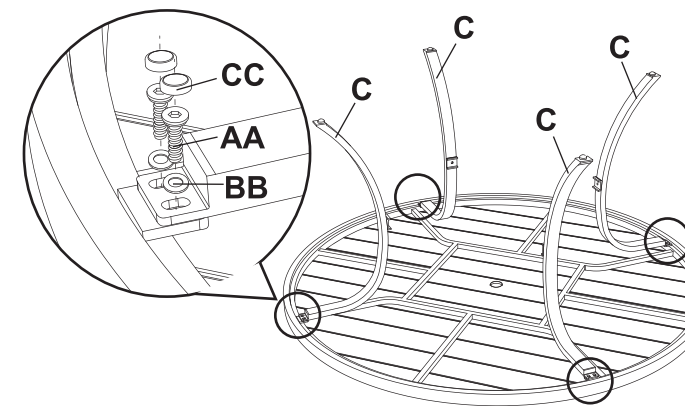
## Assembly

### 1 Attach the table leg to the table top

- Attach the table leg (C) to the table top (A) using M6 bolts (AA) and washers (BB).



**NOTE:** Please ensure all the bolts are assembled correctly and use the allen driver (DD) to tighten. Do not fully tighten bolts until all pieces are loosely assembled. Add corresponding caps (CC) after final assembly finished.

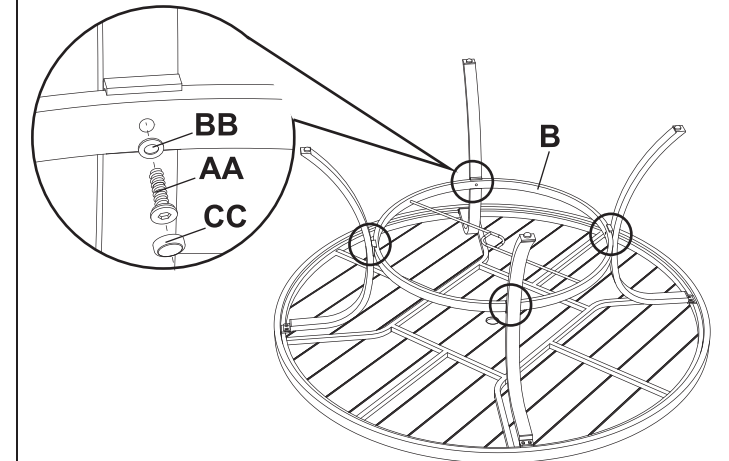


### 2 Attach the table shelf to the table leg

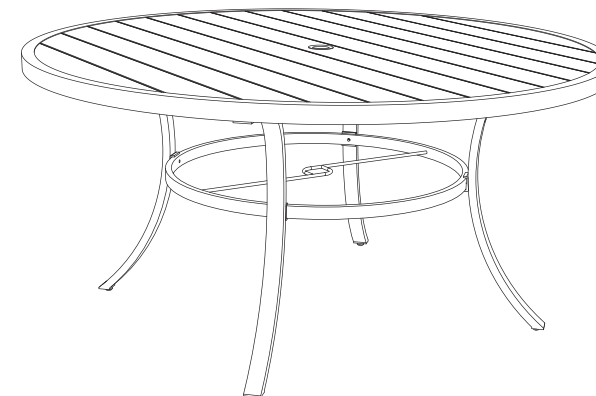
- Attach the table shelf (B) to the table leg (C) using M6 bolts (AA) and washers (BB).



**NOTE:** Please ensure all the bolts are assembled correctly and use the allen driver (DD) to tighten. Do not fully tighten bolts until all pieces are loosely assembled. Add corresponding caps (CC) after final assembly finished.



### 3 Assembly complete



## Care and Cleaning

---

- Do not allow water to build up in the frames. This will cause corrosion and possible freezing damage in cold climates.
- Use a mild soap and water for normal cleaning. Do not use alcohol based cleaners. Some cleaners may be marked as natural, but some ingredients may cause discoloration or have an adverse reaction to your finish.
- Rinse with clean water and dry with a soft, absorbent cloth towel.
- Treat the frames with a liquid wax for maximum protection against UV rays and/or salty, damp air.