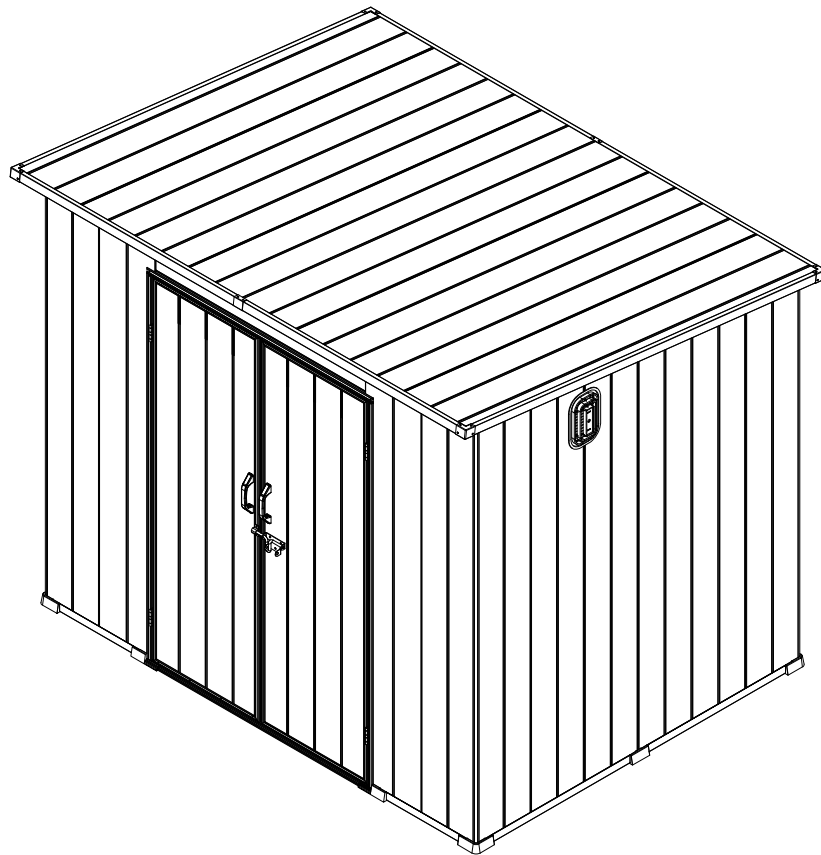




6.2' X 7.8'

Outdoor Storage Shed

ASSEMBLY MANUAL



MODEL#: LGCZ1741

Missing part? Damaged? Contact us via email at

service@domioutdoorliving.com

www.domioutdoorliving.com

STOP

Missing Parts, Questions on Assembly?

Email me: service@domioutdoorliving.com

Do not return to dealer they are not
equipped to handle your requests.

We will reply to you within 1 business day.

PLAN AHEAD

Before beginning installation, check local building codes regarding footings, location and other requirements.

Study and understand this instruction.

Important information and helpful tips will make your installation easier and more enjoyable.

Tools and Materials: There are some basic tools and materials you will need for the installation. Decide which method of anchoring and the type of foundation you wish to use in order to form a complete list of the materials you will need.

BEFORE YOU BEGIN

Assembly Instruction: Instructions are supplied in this manual and contain all appropriate information for your installation. Review all instructions before you begin, and during assembly, follow the step sequence carefully for correct results.

Parts List: Check to be sure that you have all the necessary parts and quantities in your package. These are packaged within the carton. Note that extra fasteners have been supplied for your convenience.

Explosion Diagram: All parts except screws and bolts are shown in this diagram, review all parts before you begin. Familiarize yourself with the hardware and fasteners for easier use during installation.

Pre-assembly



1. Two or more people are required for assembly.



2. You will need one or more stepladders.



3. Wearing protective gloves is recommended.



4. You may need a safety hat.



5. Please use a Phillips screw driver.



6. For ease of construction, you may need a drill.



7. You may need a safety goggle.



8. Do not fully tighten screws prior to complete assembly.

Warning & Attention

-Try to assemble this product on the flat ground, otherwise it is difficult to carry out;

-It would be much easier to assemble the product with three or more people;

-Gaskets must be used.

-After assembly, please check whether all screws are tightened, to prevent parts from falling apart.

▲ Use bolts to secure the frame to the ground to against the strong wind.

↑ Please stand inside the shed frame when installing the panels for convenience.

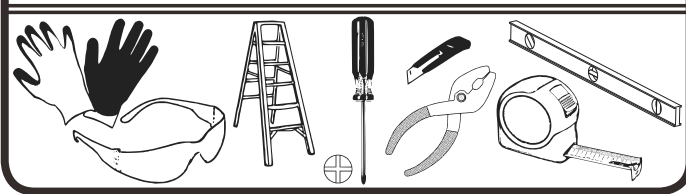
ASSEMBLY TIPS & TOOLS

Watch the Weather Closely: Be sure the day you choose to install your building is dry and calm. Do **NOT** attempt to assemble your building on a windy day. Be careful on wet or muddy ground.

Use Teamwork: Two or more people are required to assemble your building. One person can hold the parts or panels in place while the other person fastens them together and handles the tools. This makes the process of assembling your building faster and safer.

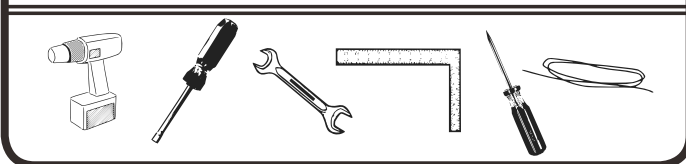
Tools and Materials: Here is a list of some basic tools and materials you will need to assemble your building. Decide which method of anchoring and the type of base you will use to make a complete list of the materials you will need.

WHAT YOU NEED



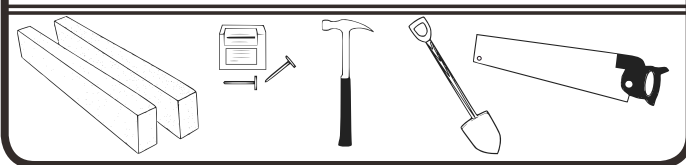
- Work Gloves
- Safety Glasses
- Step Ladder
- No. 2 Phillips Screwdriver (Magnetic Tip Preferred)
- Utility Knife or Scissors
- Pliers
- Carpenter's Level
- Tape Measure

RECOMMENDED TIME SAVERS



- Power Drill (Cordless, Variable Speed)
- Nut Driver or Wrench
- Square
- String (for squaring the frame)
- Awl (to align holes)

BASE PREPARATION TOOLS



- Lumber and/or Concrete
- Hammer and Nails
- Spade or Shovel
- Hand Saw or Power Saw

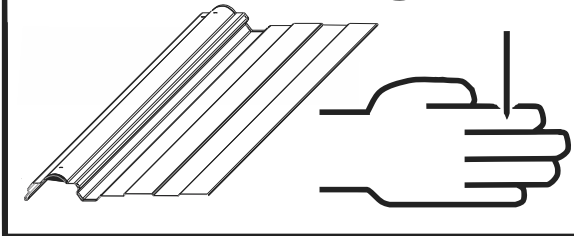
How to Select and Prepare Your Building Site: Before you start to assemble your building, you will want to decide on a good location. The best location is a level area with good drainage.

- Allow enough working space so it is not difficult to move parts into position for assembly. Be sure there will be enough space at the entrance for the doors to completely open. Also, there needs to be enough space outside the building to be able to fasten the panel screws from the outside.
- Before assembling any parts, your base should be constructed and an anchoring system should be ready to use.

SAFETY PRECAUTIONS...

Safety precautions MUST be followed at all times throughout the construction of your building!

sharp edges



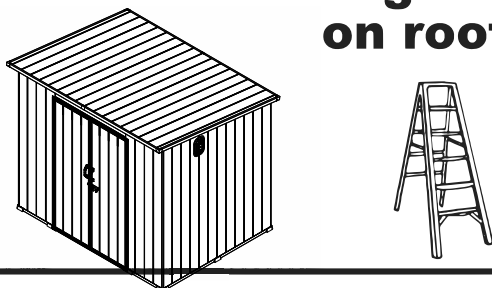
Care must be taken when handling various pieces of your building since many contain sharp edges. Please wear work gloves, eye protection and long sleeves when assembling or performing any maintenance on your building.

no children or pets at worksite



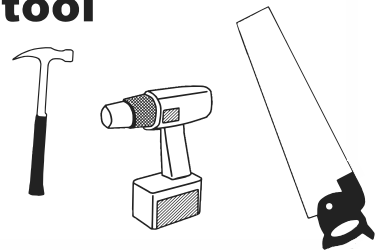
Keep children and pets away from the worksite during construction and until the building is completely assembled. This will help avoid distractions and any accidents which may occur.

don't focus weight on roof



NEVER concentrate your weight on the roof of the building. When using a step ladder make sure that it is fully open and on even ground before climbing on it.

always practice proper tool safety





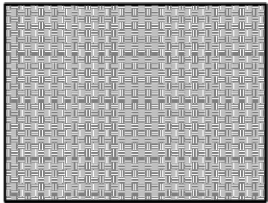







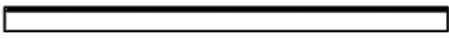




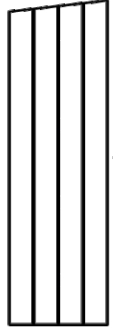

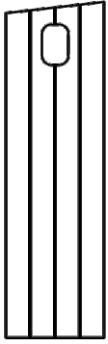

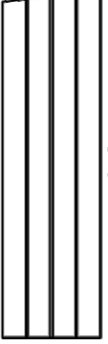






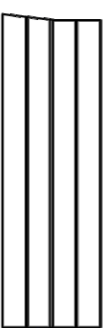


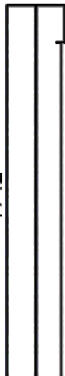


Practice caution with the tools being used in the assembly of this building. Be especially familiar with the operation of all power tools.

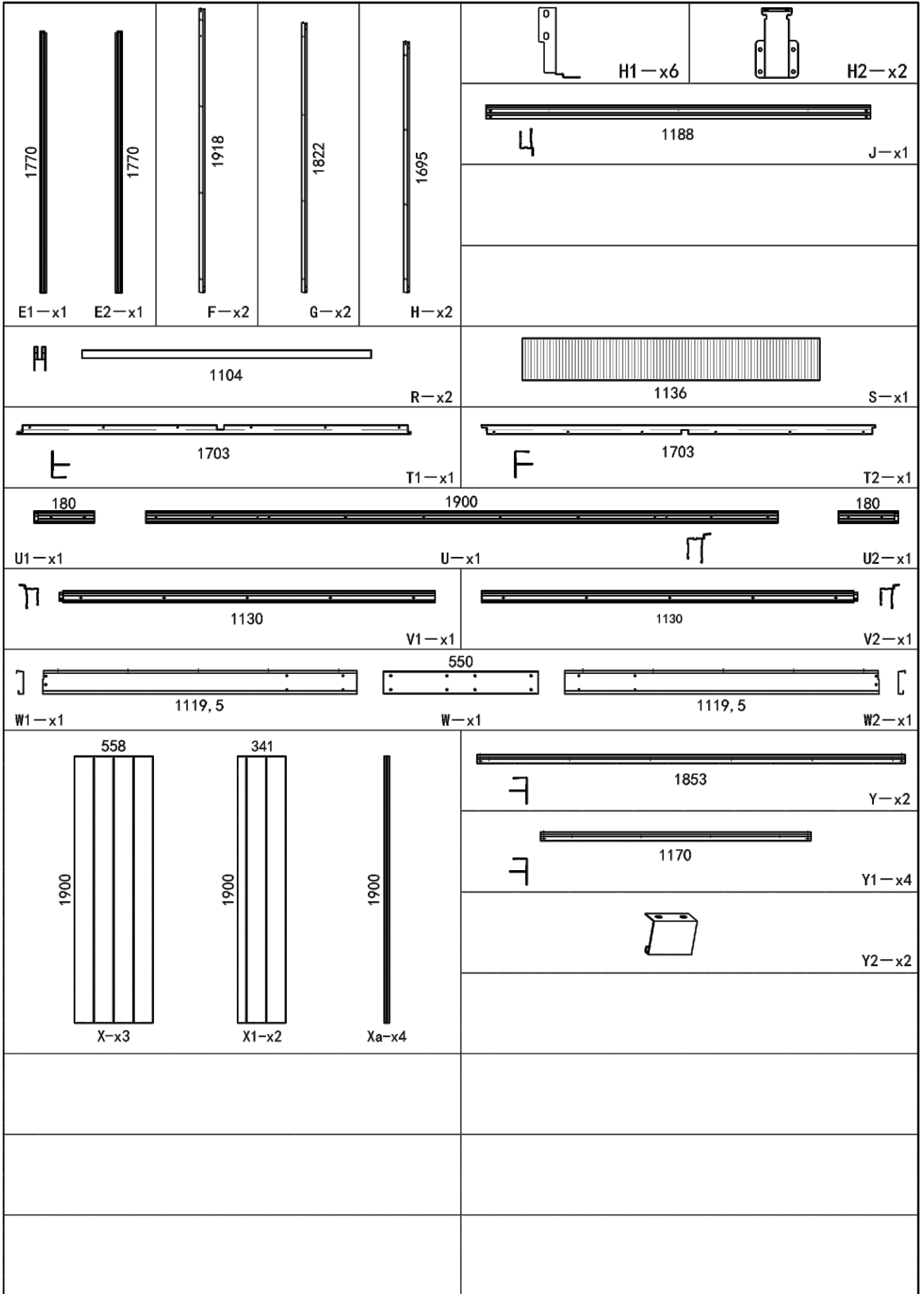
beware of wind



Do NOT attempt to assemble your building on a windy day. The large panels can catch the wind like a "sail", causing them to be whipped around making construction difficult and unsafe.

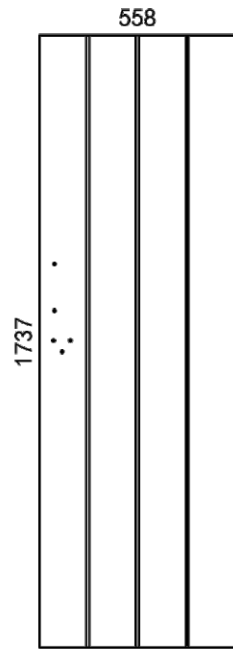
Do NOT attempt to assemble your building before double checking that you have all the parts indicated in the parts lists as well as all hardware. Any building left partially assembled may be seriously damaged by even light winds.

 GJF010-x4	 GJF011-x3	 2320 1750				
 GJF014-x2	 GJF015-x2	Ah-x1				
 GJF017-x1	 GJF018-x1	 1109 A-x1				
 GJF016-x2	 GJF019-x4	 789 A1-x4				
 1073 A2-x2	 458 A3-x2					
B7-x1  1785 558	Bc-x1  1785	B5-x1  1849,5 558	Bb-x1  1849	B3-x1  1914 558	Ba-x1  1913	B1-x1  1942 558
B2-x1  1942 558	Ba-x1  1913	B4-x1  1914 558	Bb-x1  1849	B6-x1  1849,5 558	Bc-x1  1785	B8-x1  1785 558
C-x3  1750 558	Ca-x4  1750	D3-x1  293 1942	D4-x1  293 1942	Db-x2  1942		

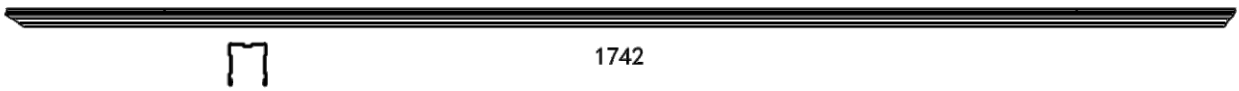




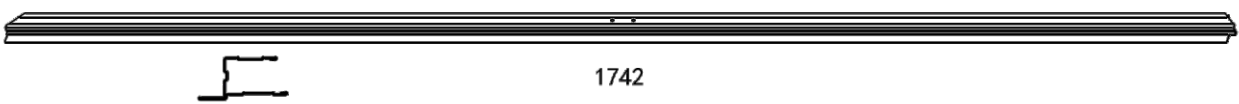
M1-x1



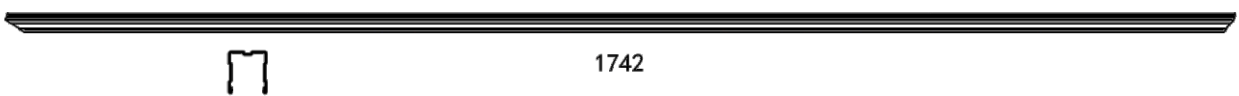
M2-x1



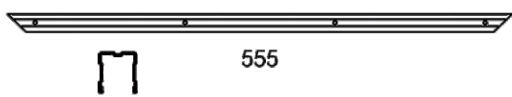
N-x2



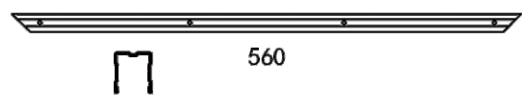
N1-x1



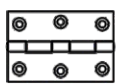
N2-x1



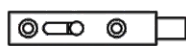
N3-x2



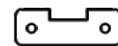
N4-x2



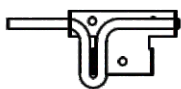
HY-x4



CX-x2



P-x1



Q-x1



Q1-x1



M5x38

1# — x20



M5x8

2# — x8



M4x8

3# — x8



M5x28

4# — x4



M5x25

5# — x7



5x14

6# — x56



4x12

7# — x12



4x14

8# — x72



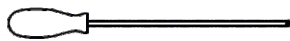
4x14

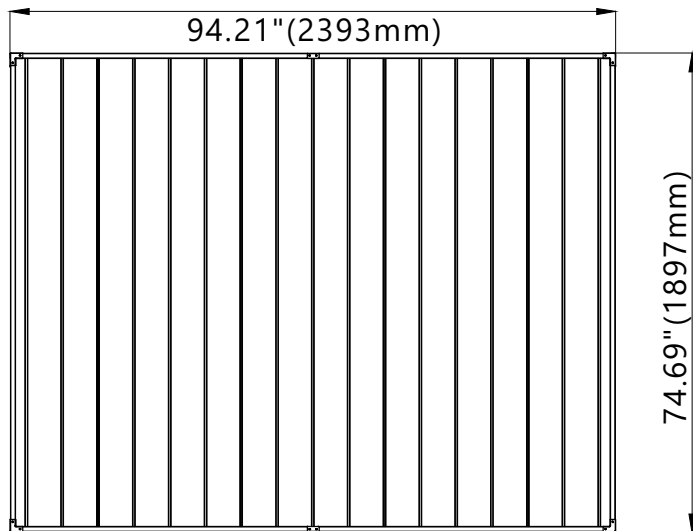
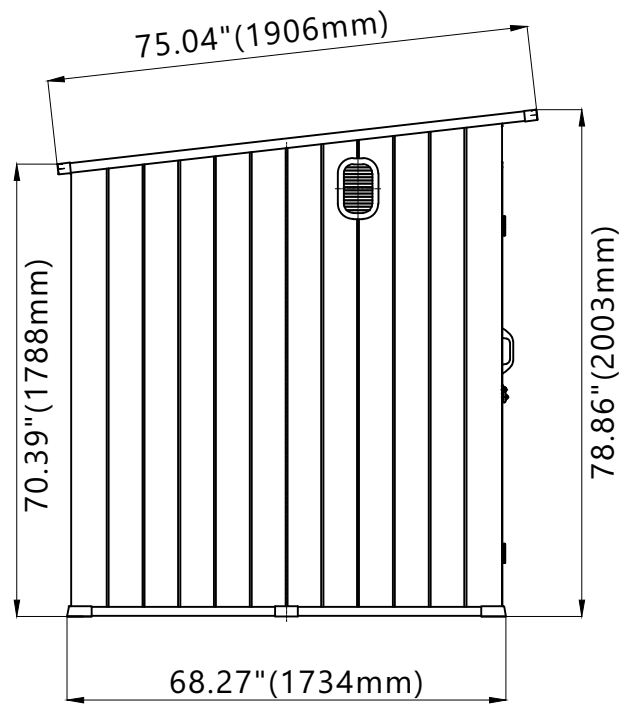
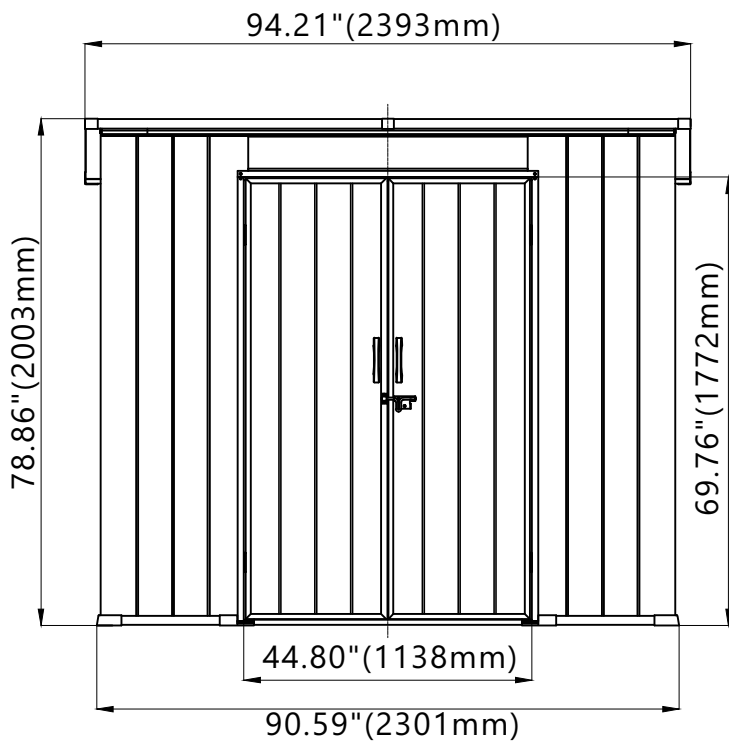
9# — x238



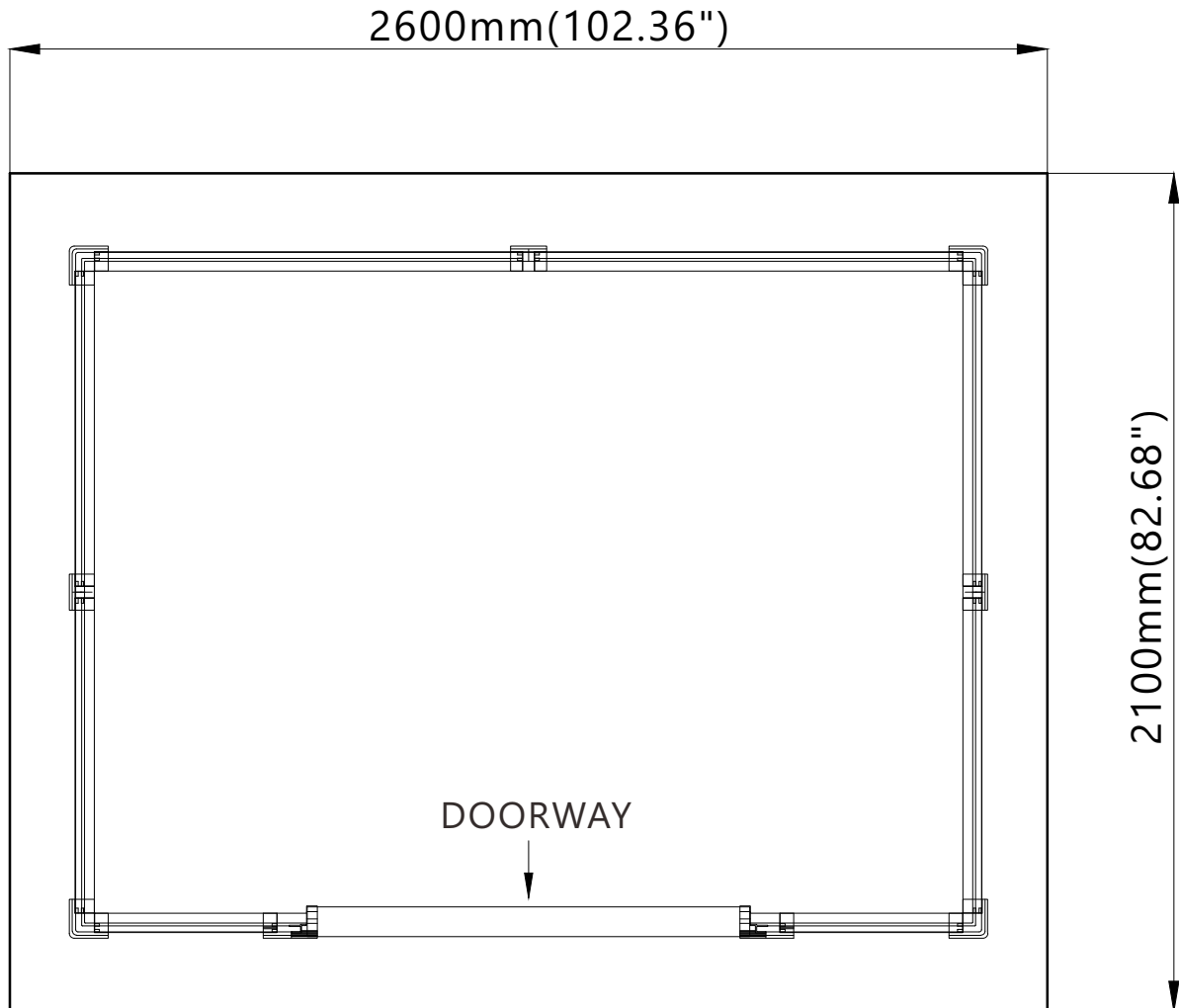
10# — x6

Screwdriver





THE BASE FOR YOUR BUILDING



1. Leveling the ground.

2. Set up the base: It is recommended to build a wooden base or concrete base.

Foundation Requirements:

(1) The area of the foundation should not be less than the size range in the figure.

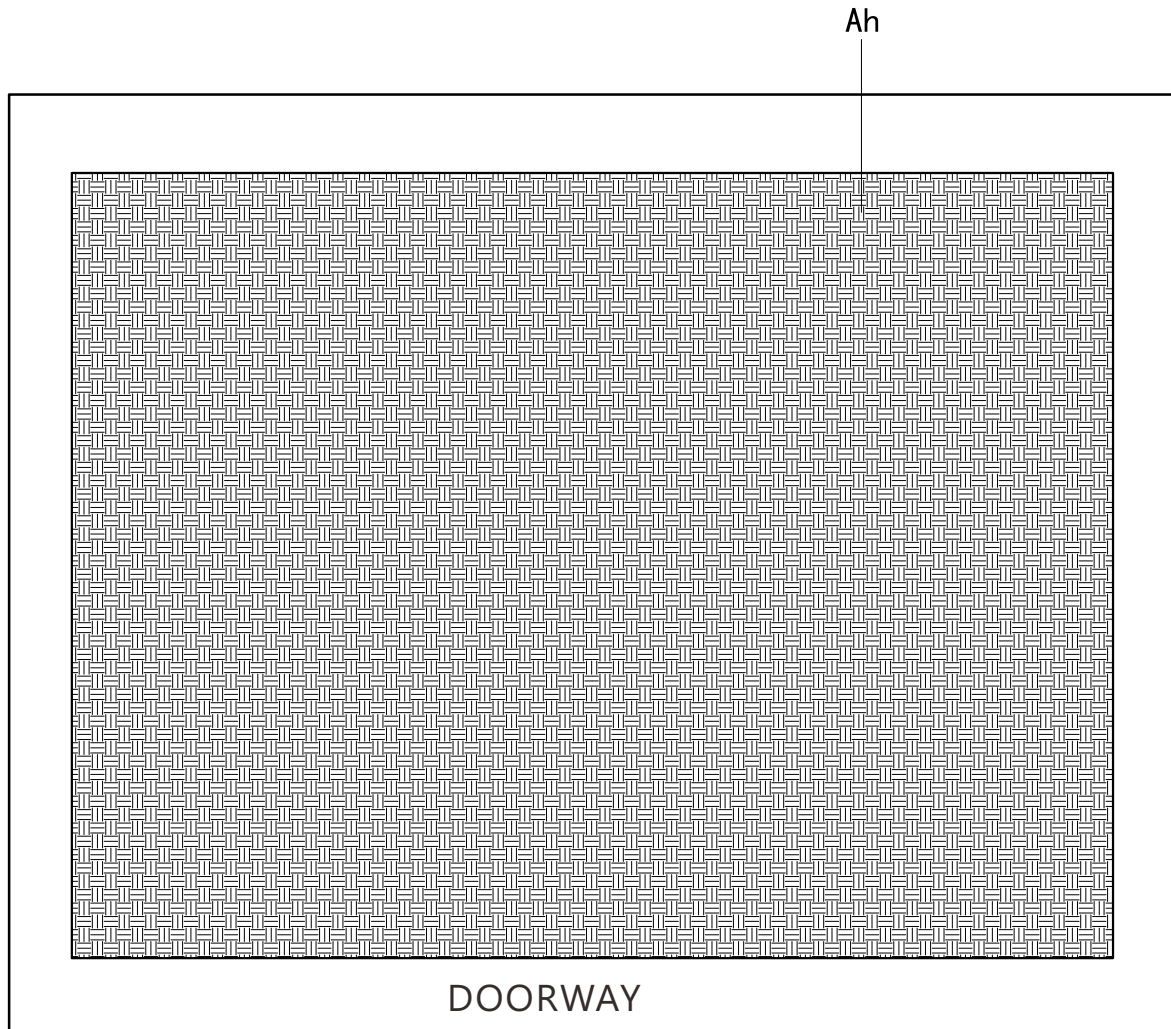
(2) The thickness of the concrete should not be less than 7cm.

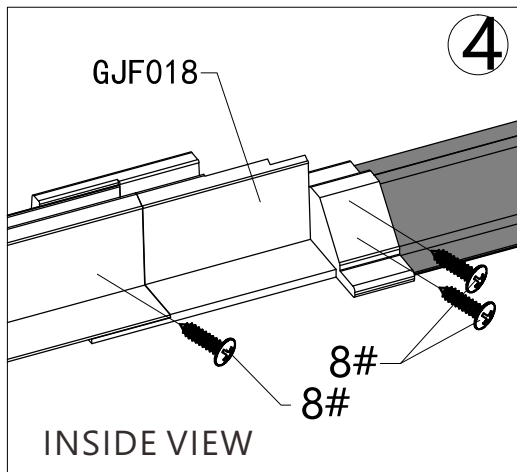
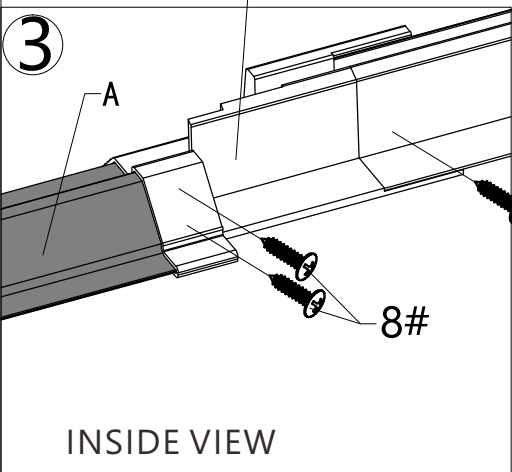
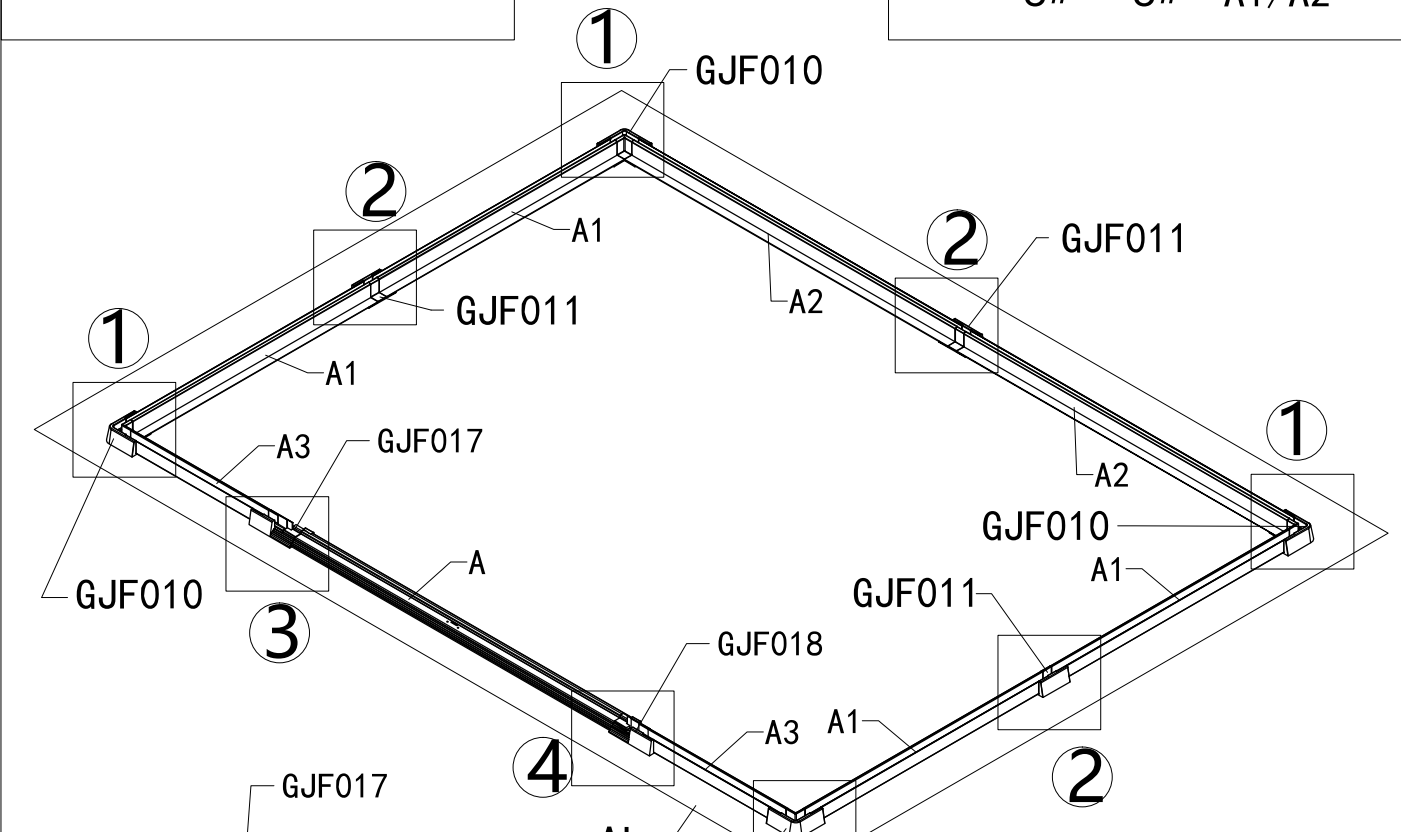
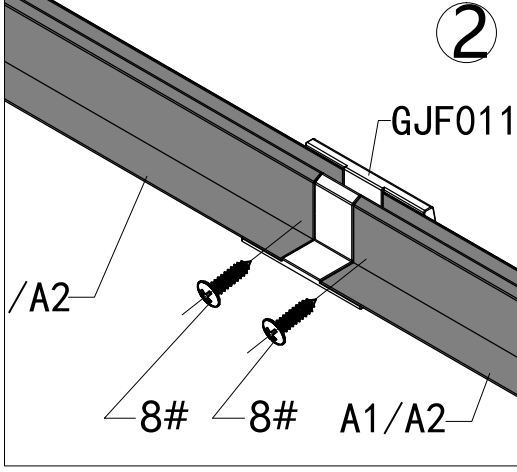
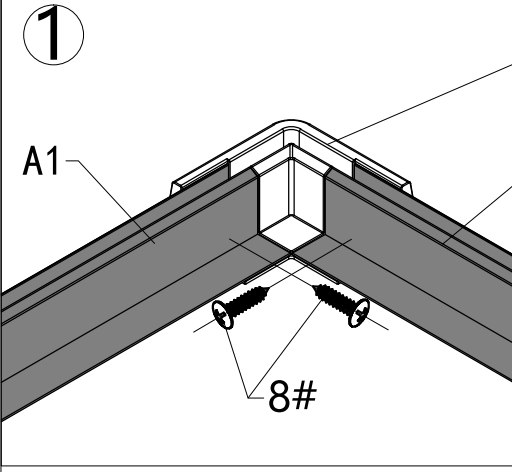
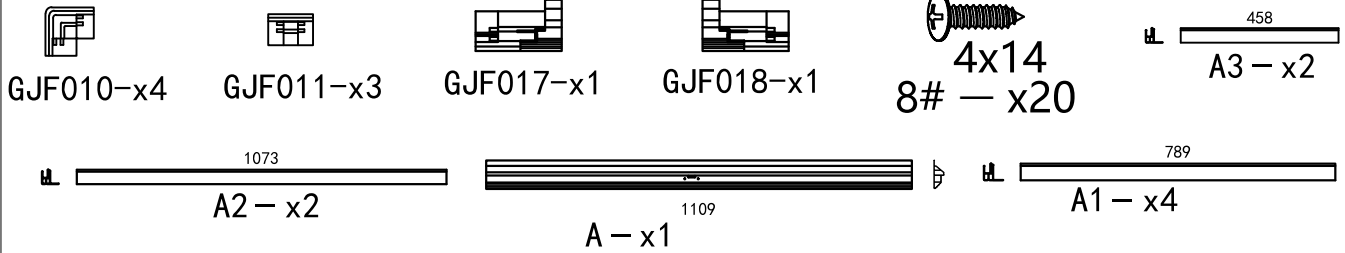
(3) The base surface must be measured by the spirit level to be in a flat state.

(4) The base surface must be higher than the ground to prevent water accumulation.

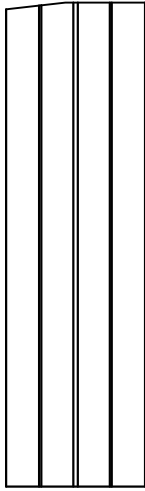
1741(6.2'x7.8')—FOUNDATION

Lay the carpet on the foundation

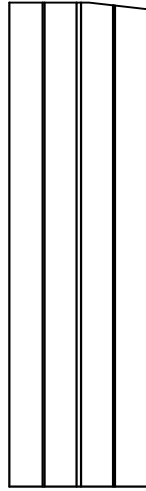




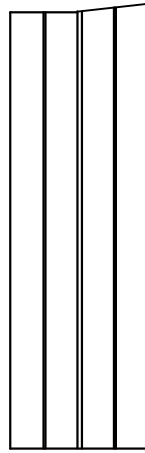
B1 - x1



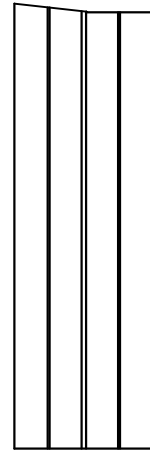
B2 - x1



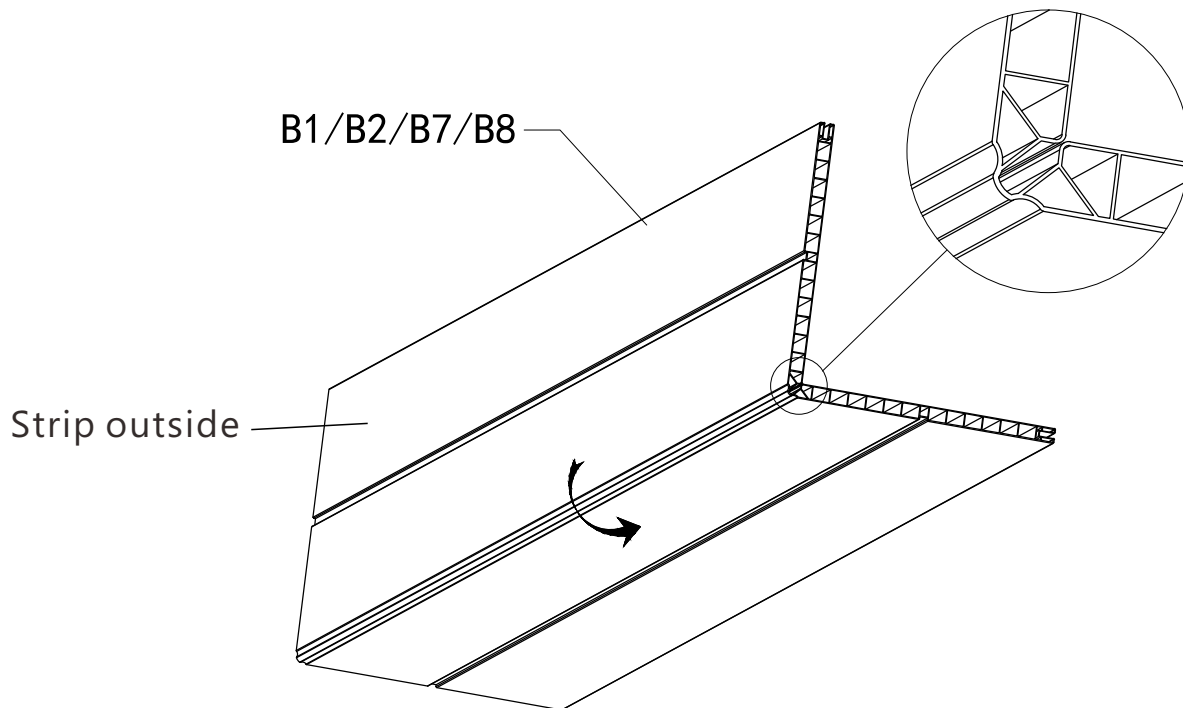
B7 - x1



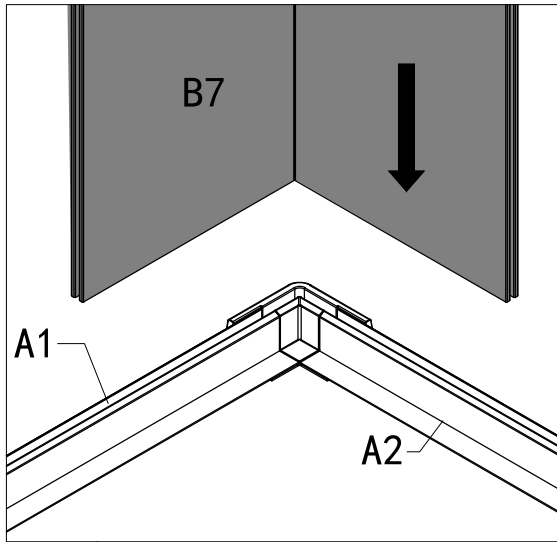
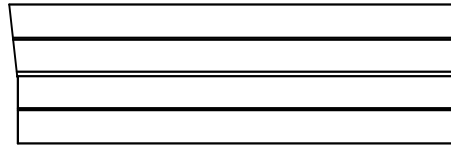
B8 - x1



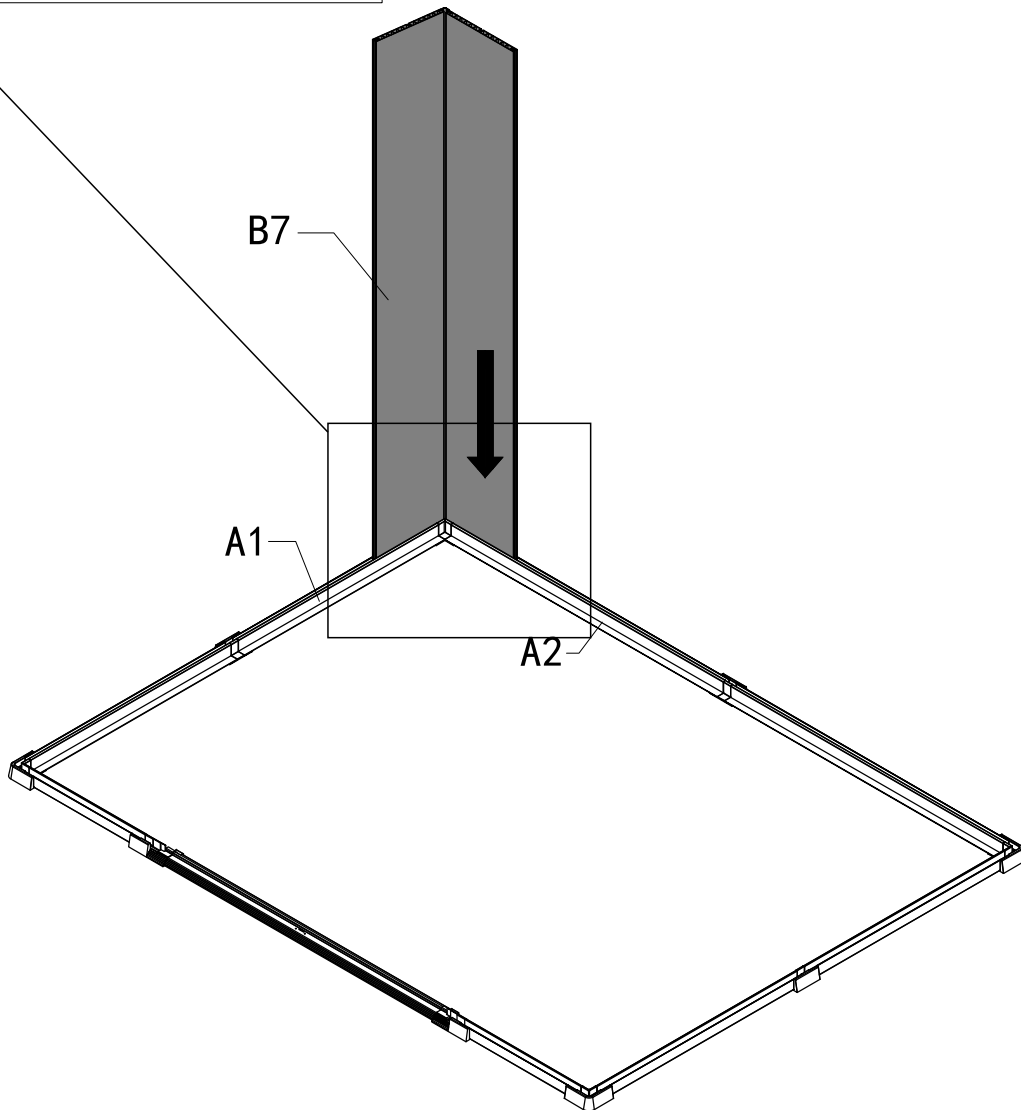
Install the corner wall panels:



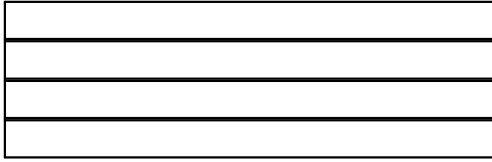
B7 - x1



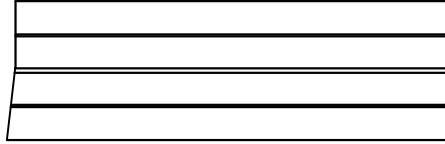
Put in the corner of the base



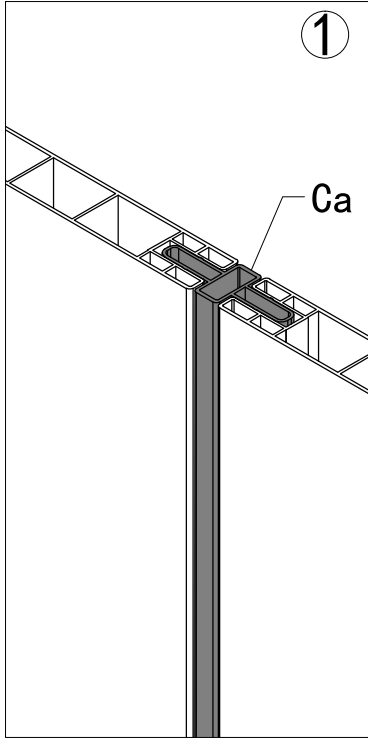
C - x3



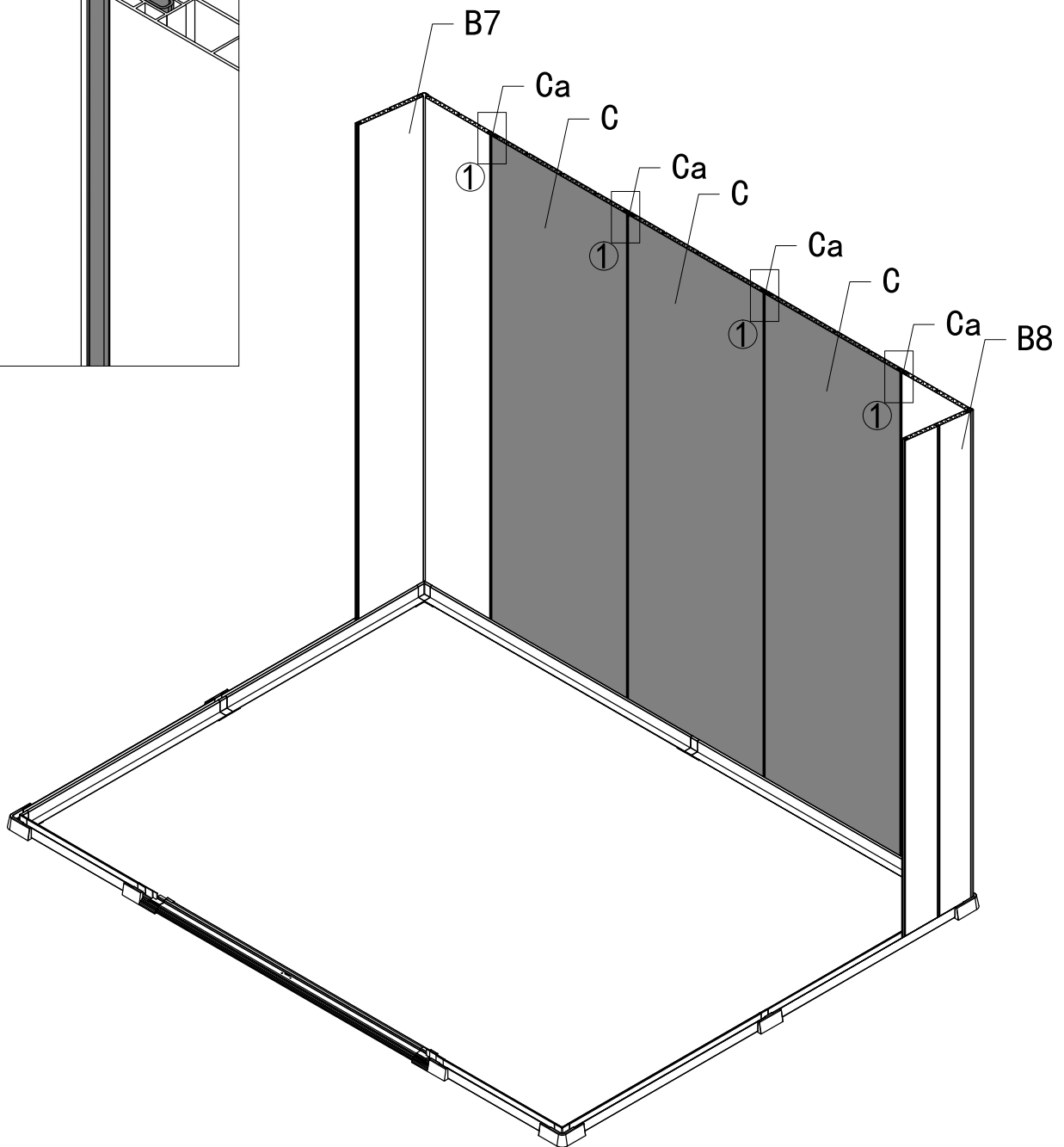
B8 - x1

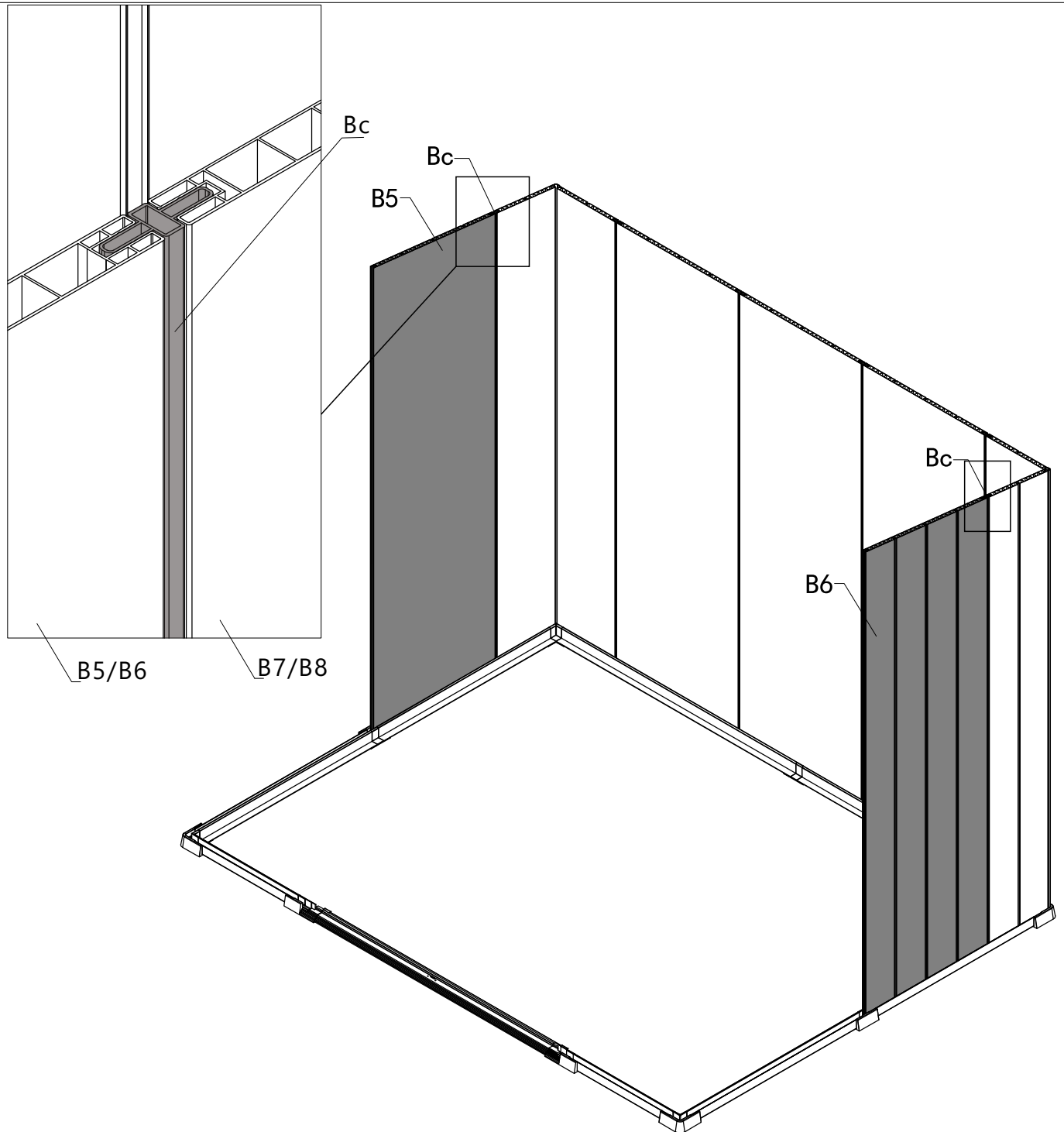
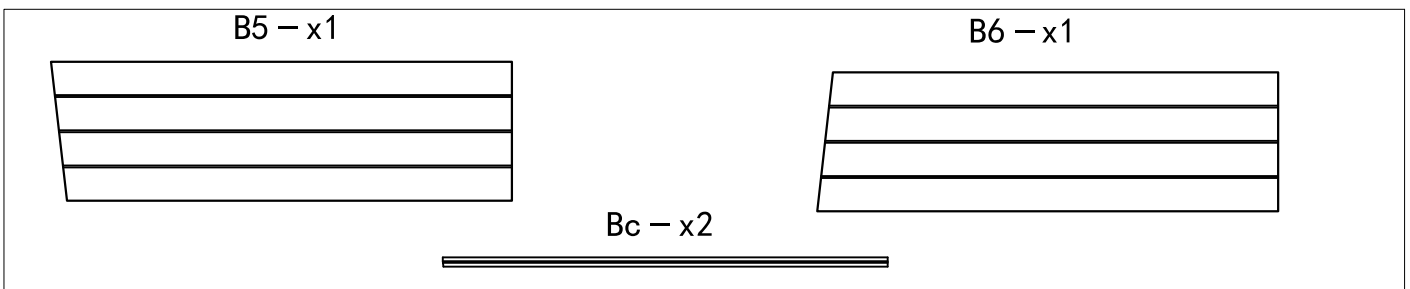


Ca - x4



Note: Each panel should tightly lock to each other without any gap. Otherwise, there will not be enough space for last panel.



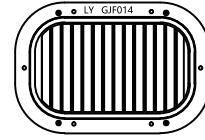
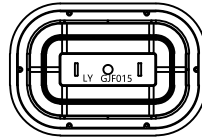
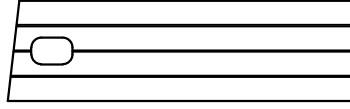
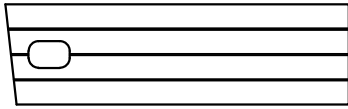


Note2: The installed panels are easily removed and can be secured with screws when finishing one row, make sure the panels are used correctly.

Refer to Installation guide (Page 11, 12).

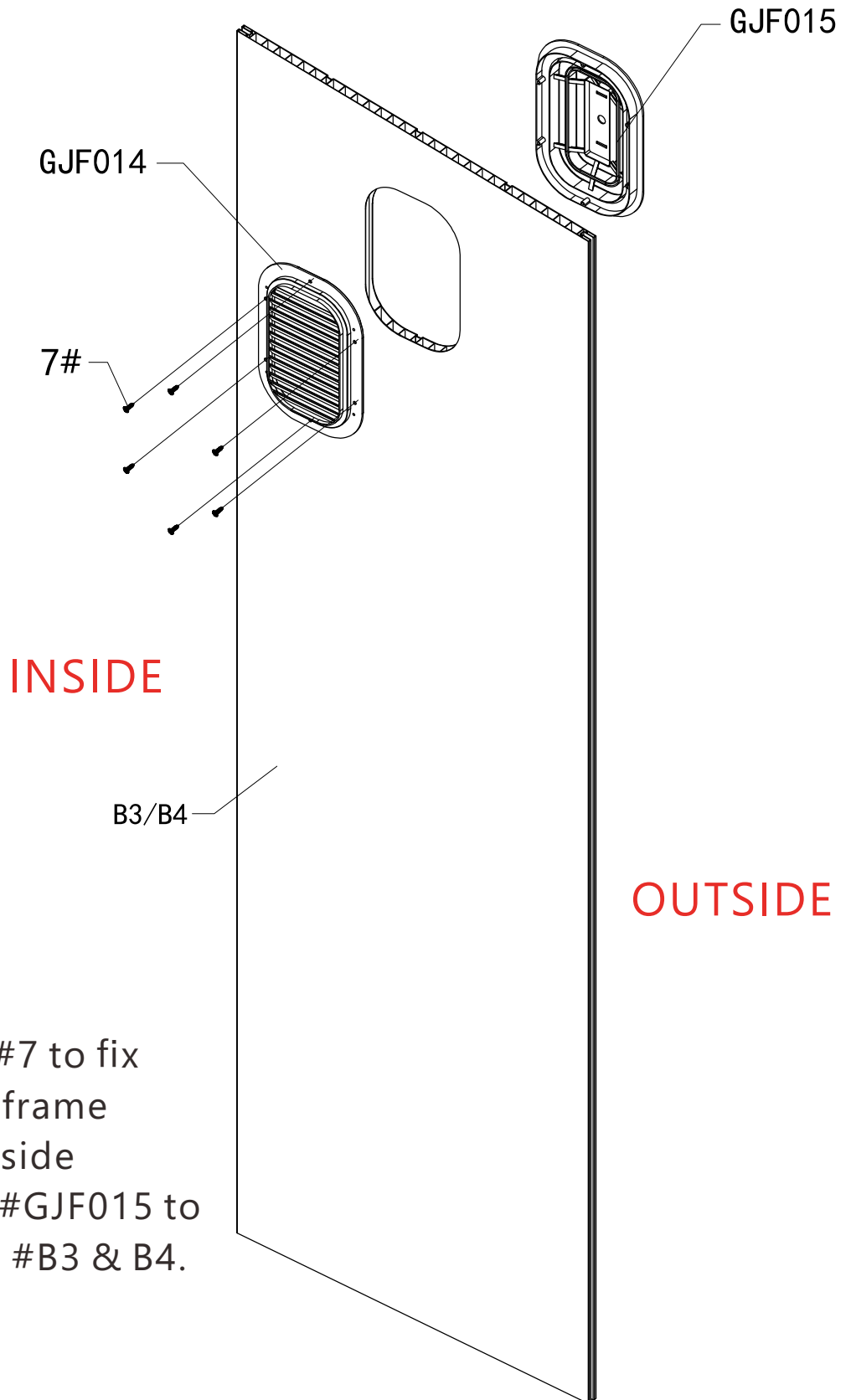
B3 - x1

B4 - x1



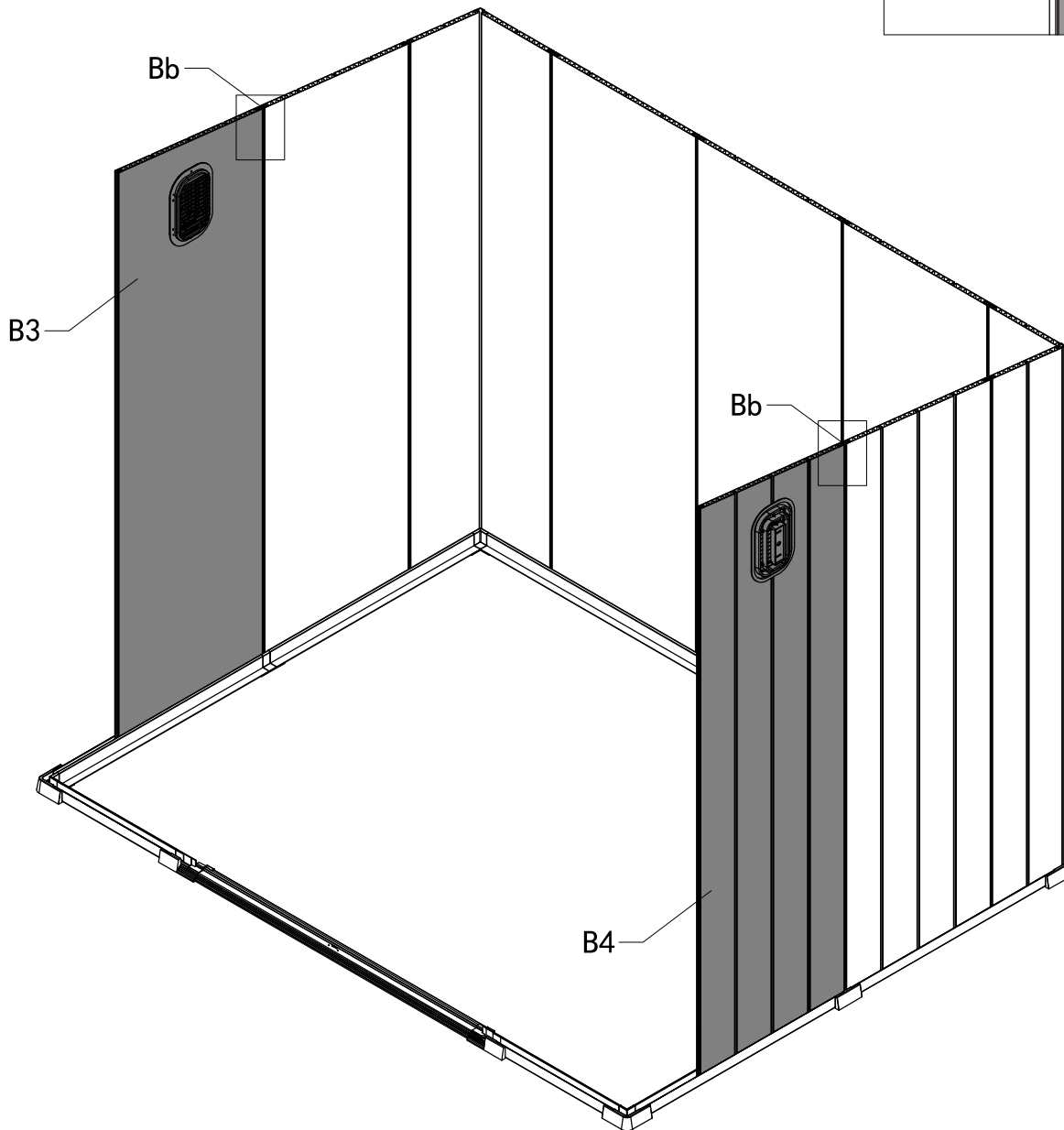
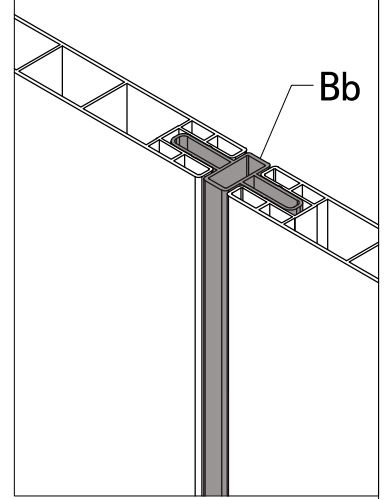
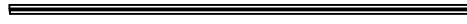
7# - x12

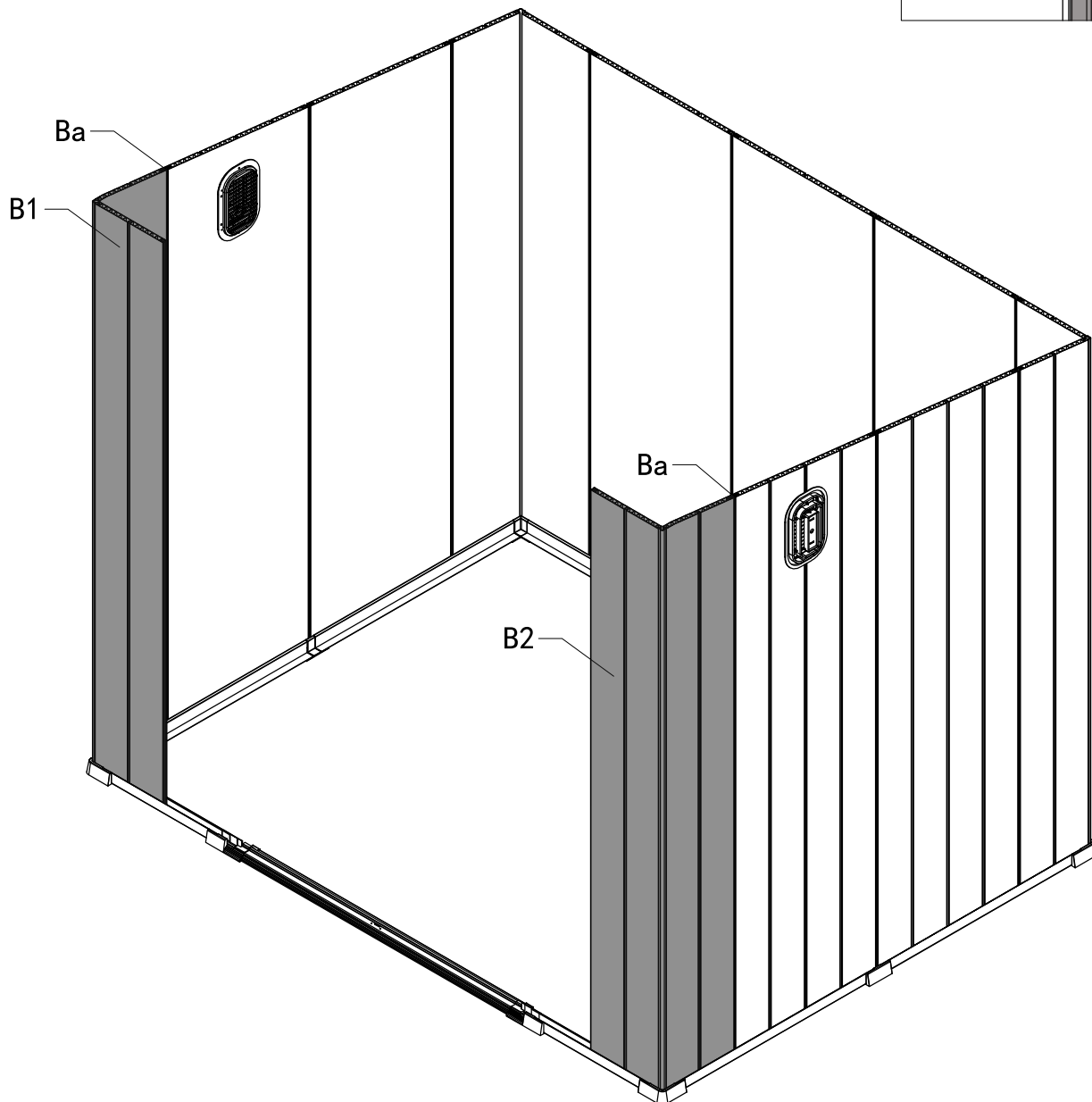
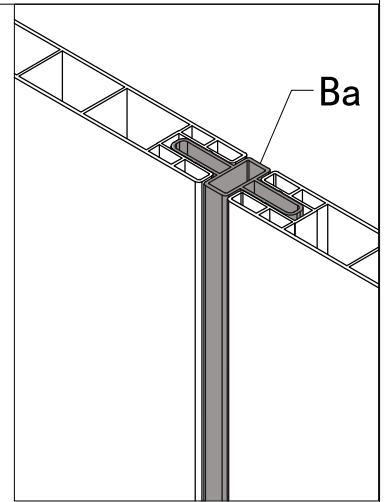
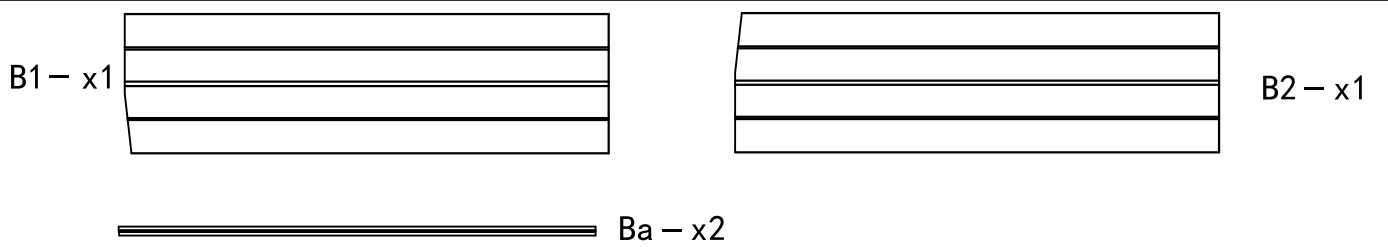
GJF015-x2 GJF014-x2

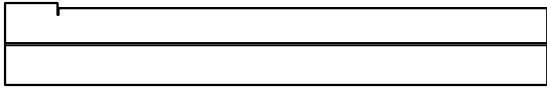


Use 12 screws #7 to fix
inside window frame
#GJF014 & outside
window frame #GJF015 to
the wall panels #B3 & B4.

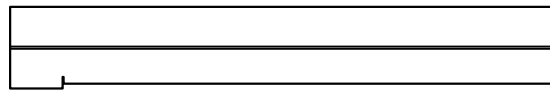
Bb - x2





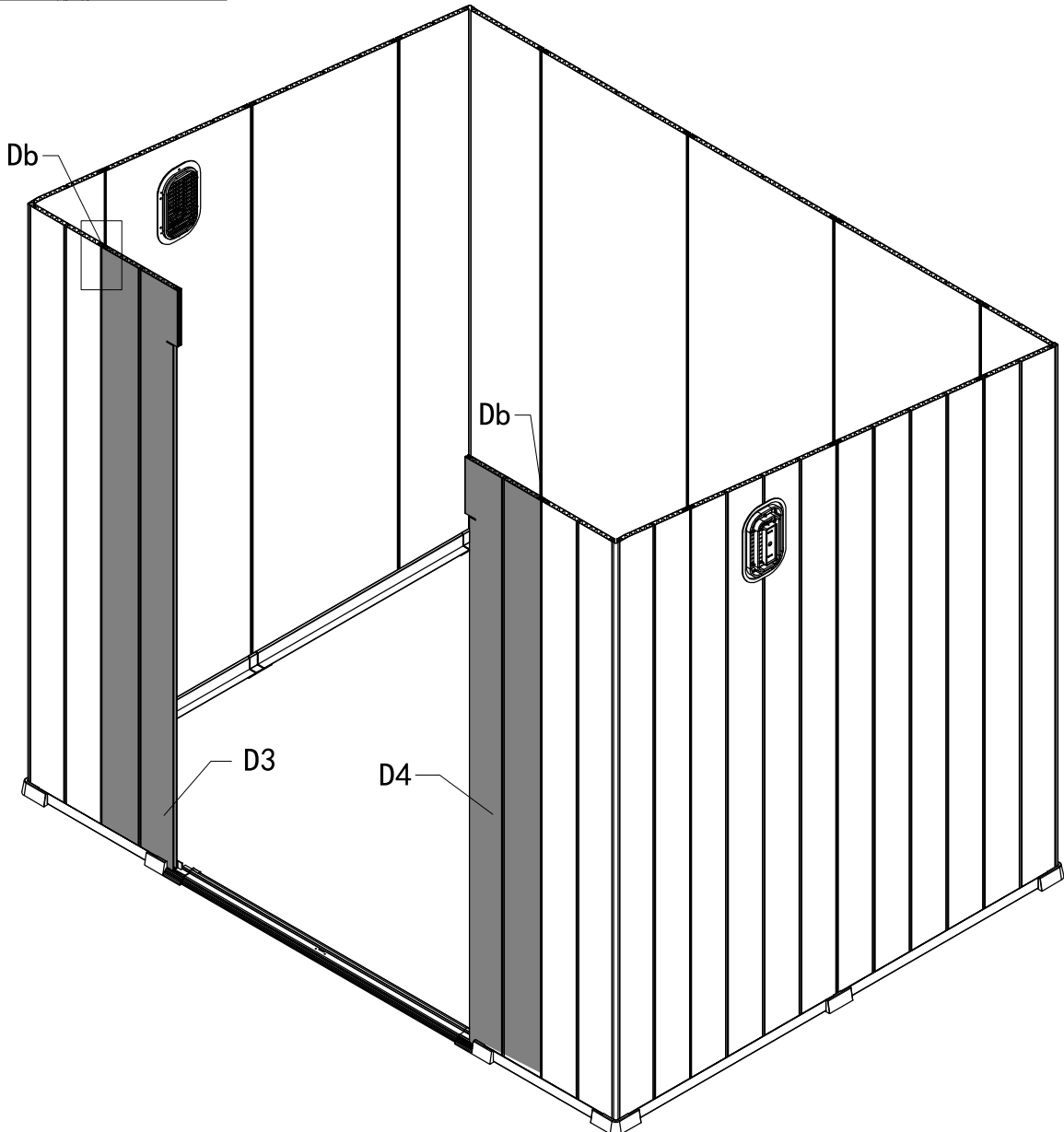
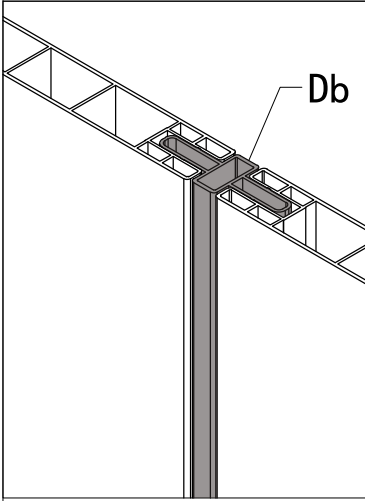


D3 - x1



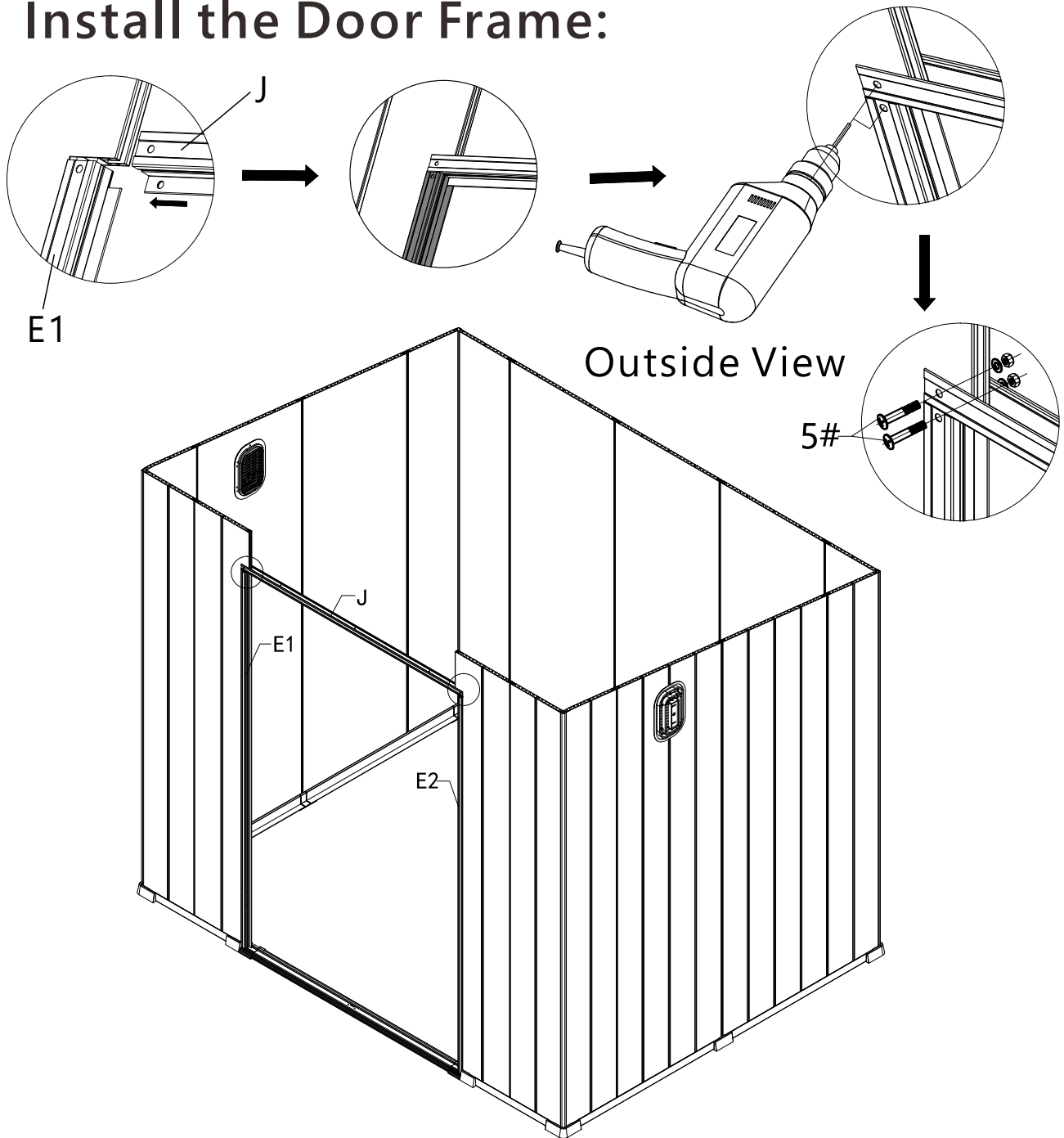
D4 - x1

Db - x2





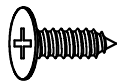
Install the Door Frame:



Use Φ 5mm drill bit to drill holes on the connection of top beam #J and side beam #E1/E2.

Secure with 2 bolts, washers and nuts #5.

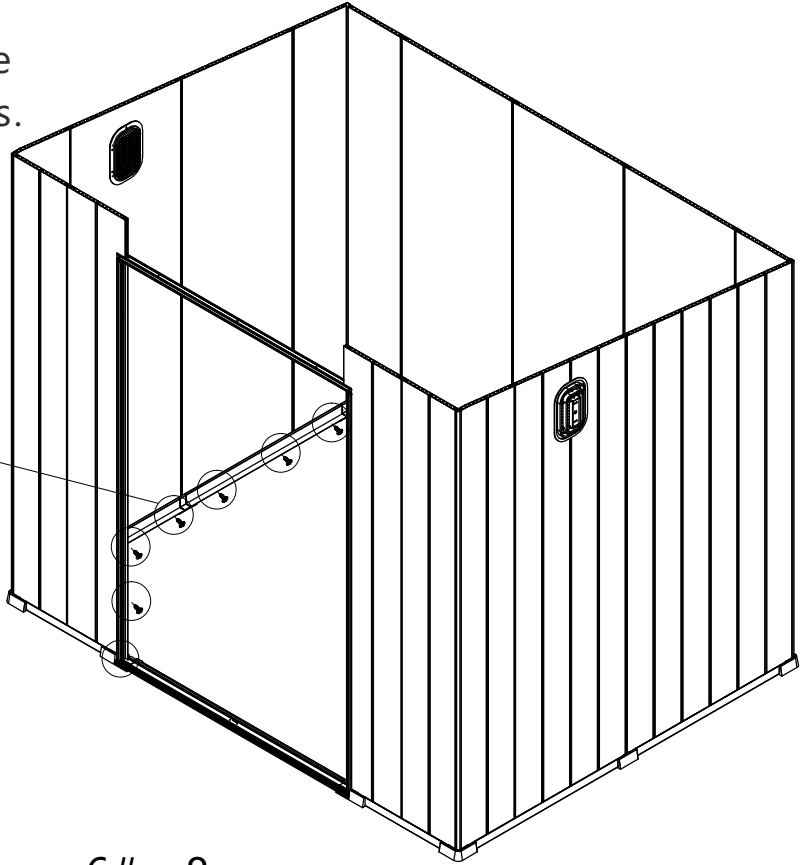
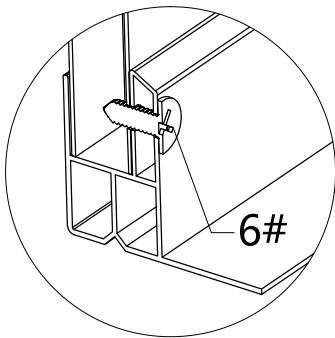
Repeat above procedures to assemble another side.



5x14

6# — x24

Use screws #6 to secure the base frame with wall panels.

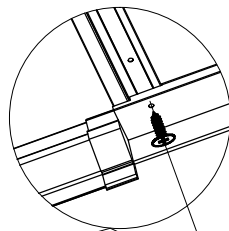


6#-x8

Note: These Two positions need to be drilled in the base (3mm diameter drill bit), and then install screws #6 to the wall panel.

6#-x6

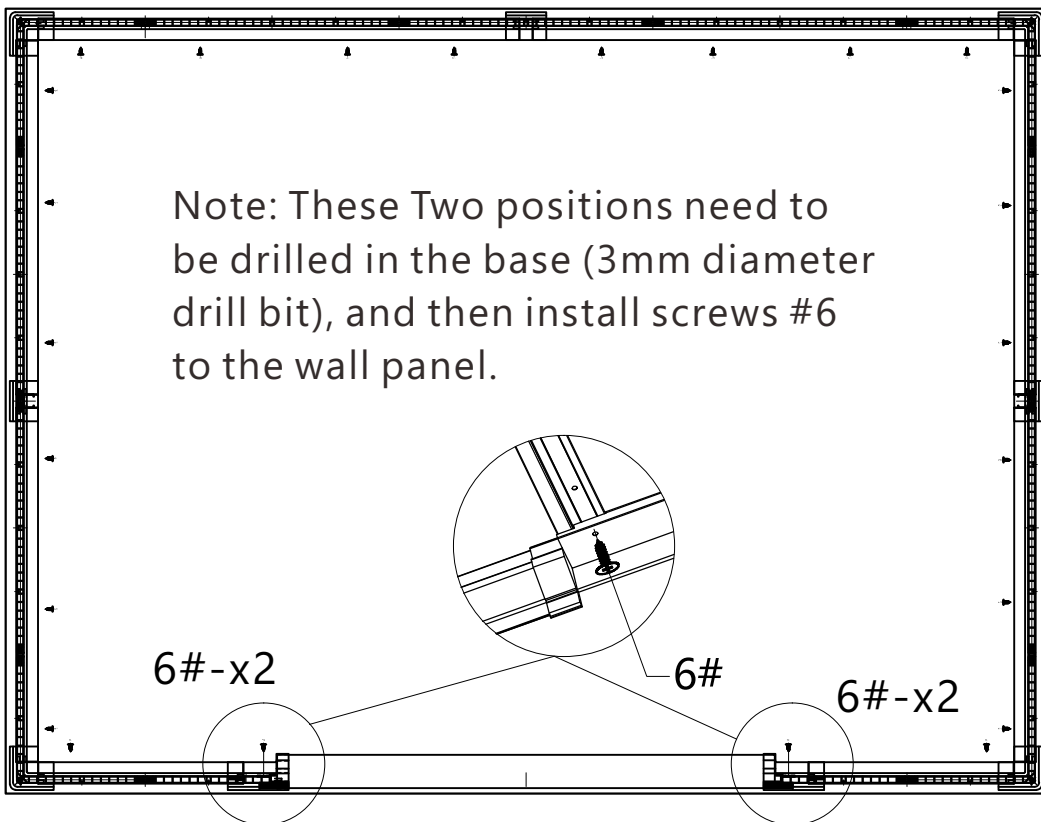
6#-x6

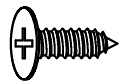


6#-x2

6#

6#-x2

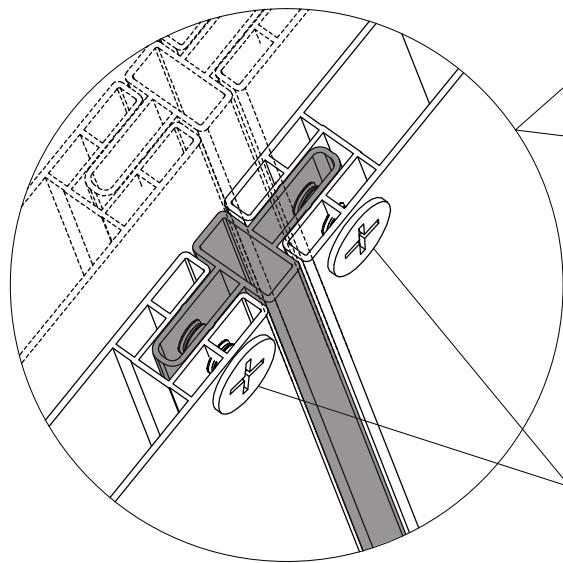




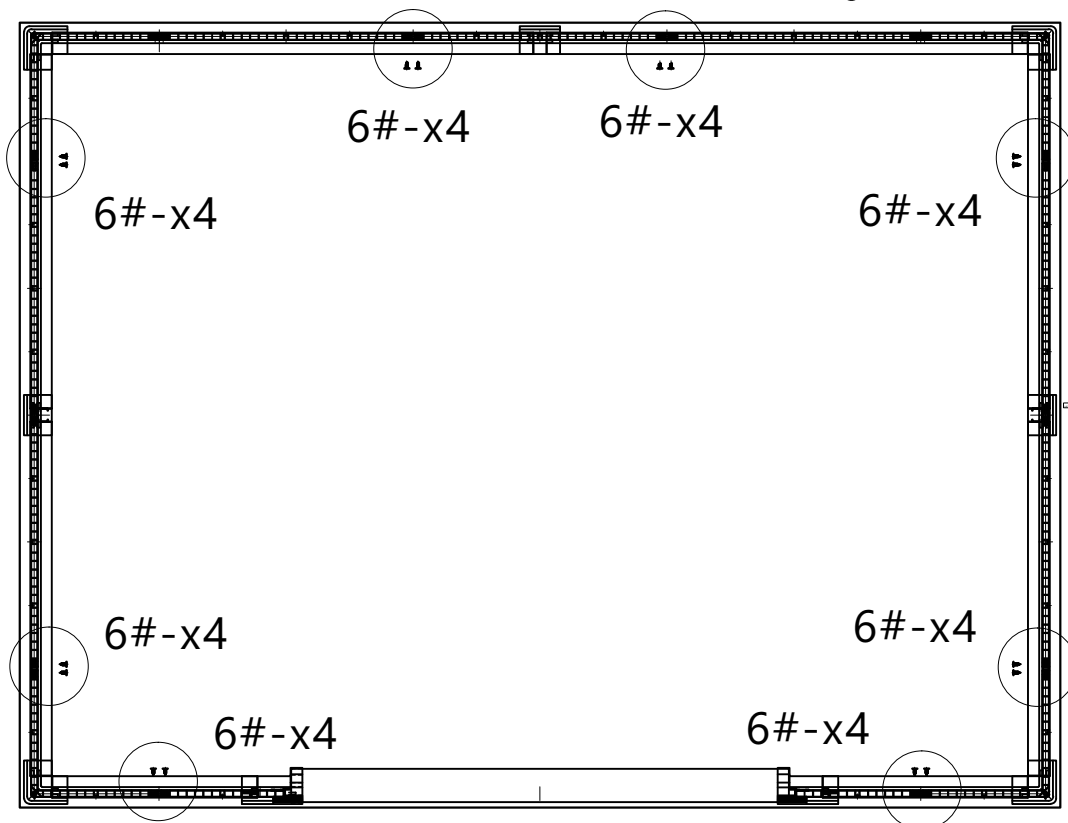
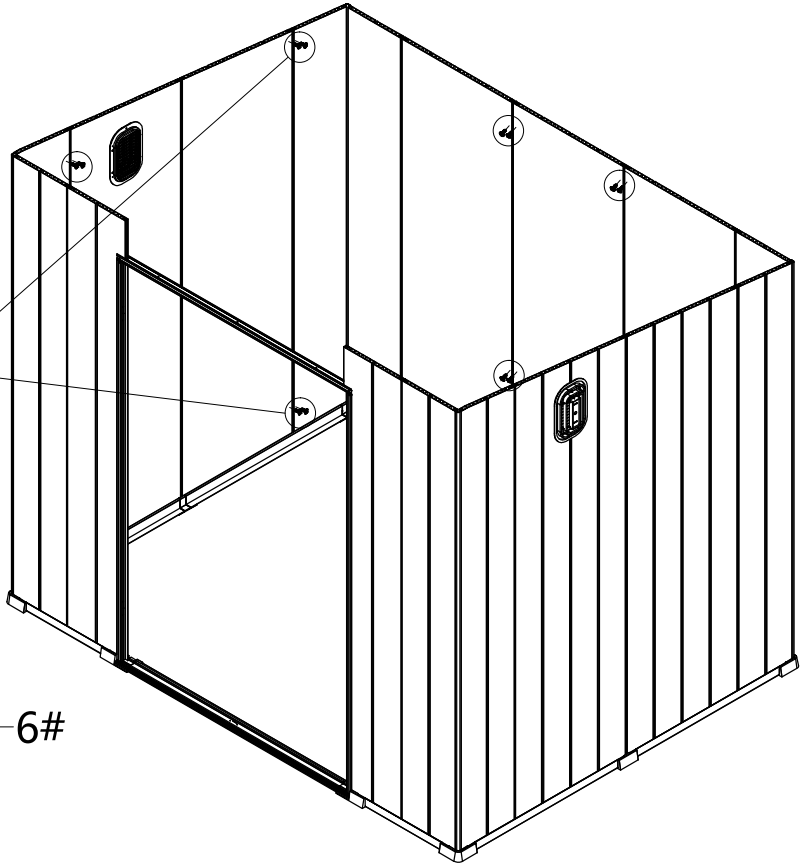
5x14

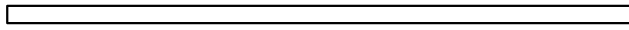
6# — x32

Use 32 screws #6 to secure the wall panels to the connecting rods #Ba/Bb/Bc/Ca/Db.

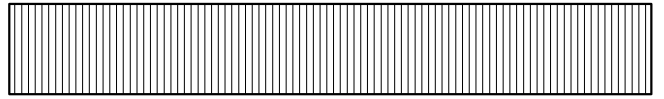


6#



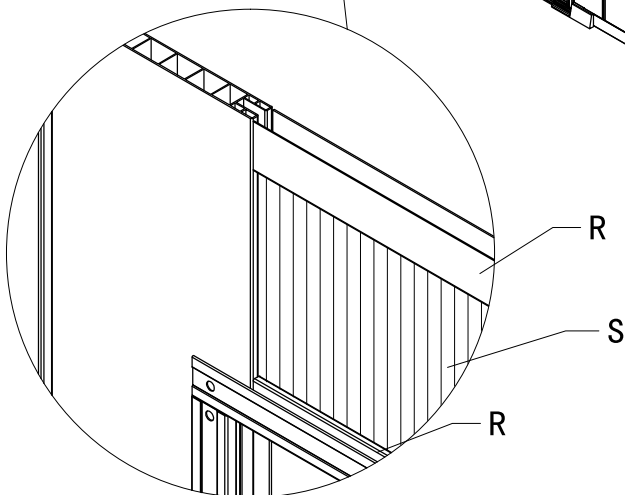
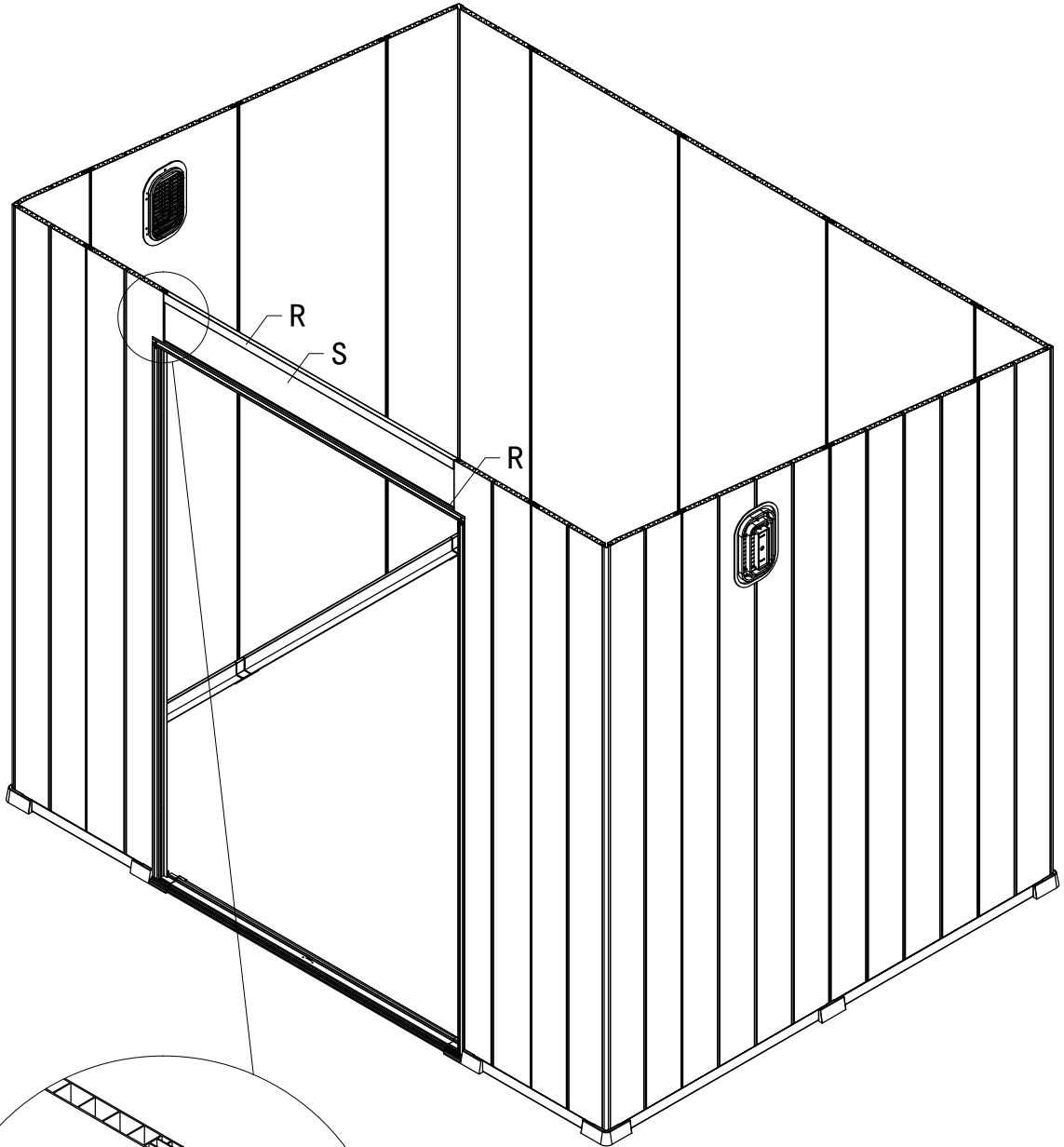


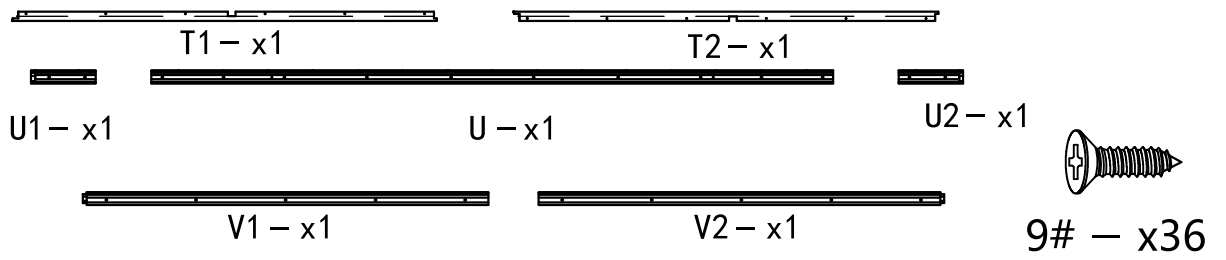
R - x2



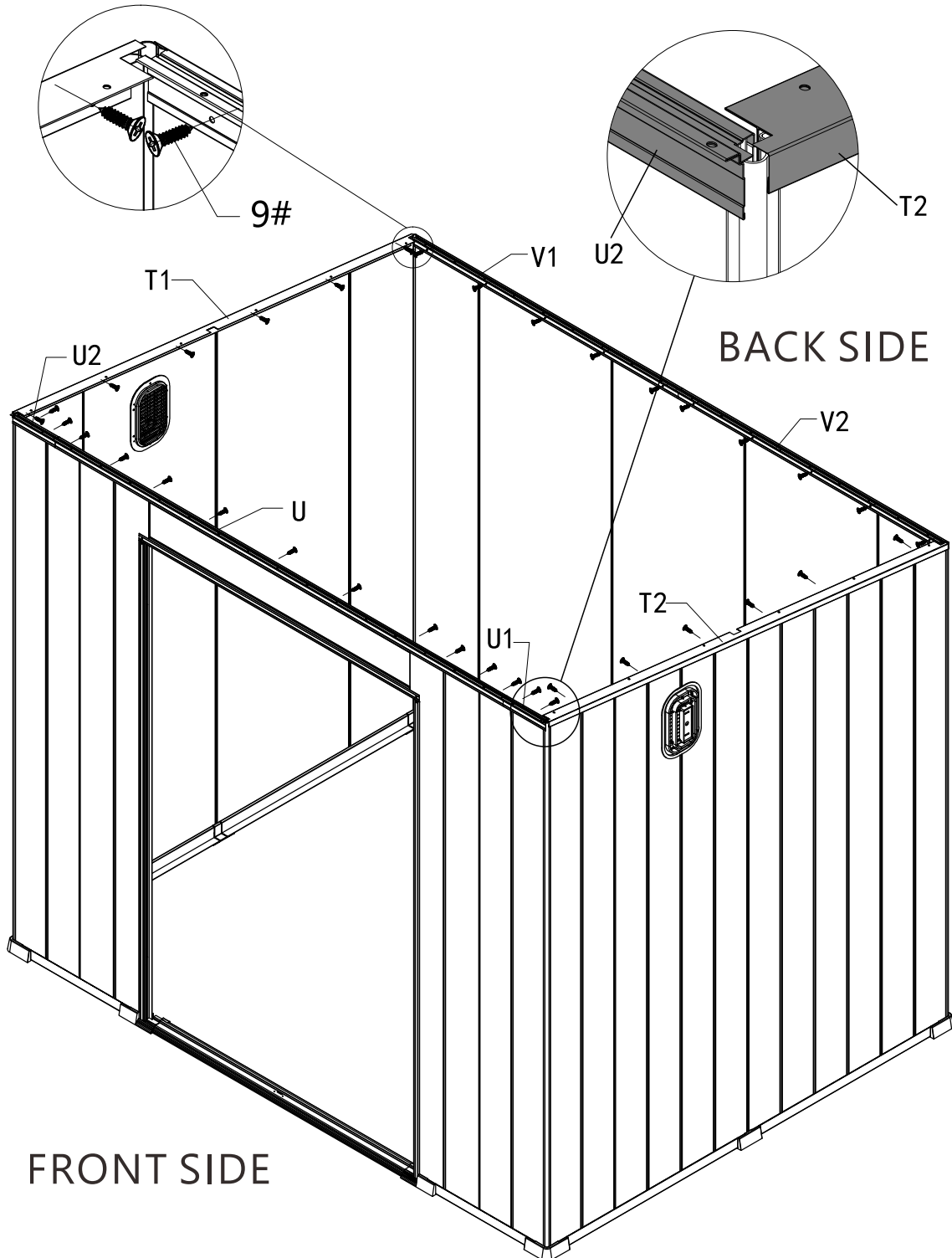
S - x1

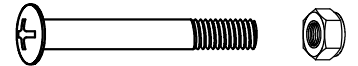
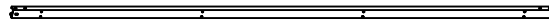
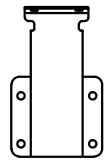
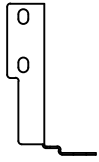
Install the top frame #R and PC Board #S.





Install the top frame: Use 36 screws #9 to secure the top frame to the wall panels.





H1 - x2 H2 - x2

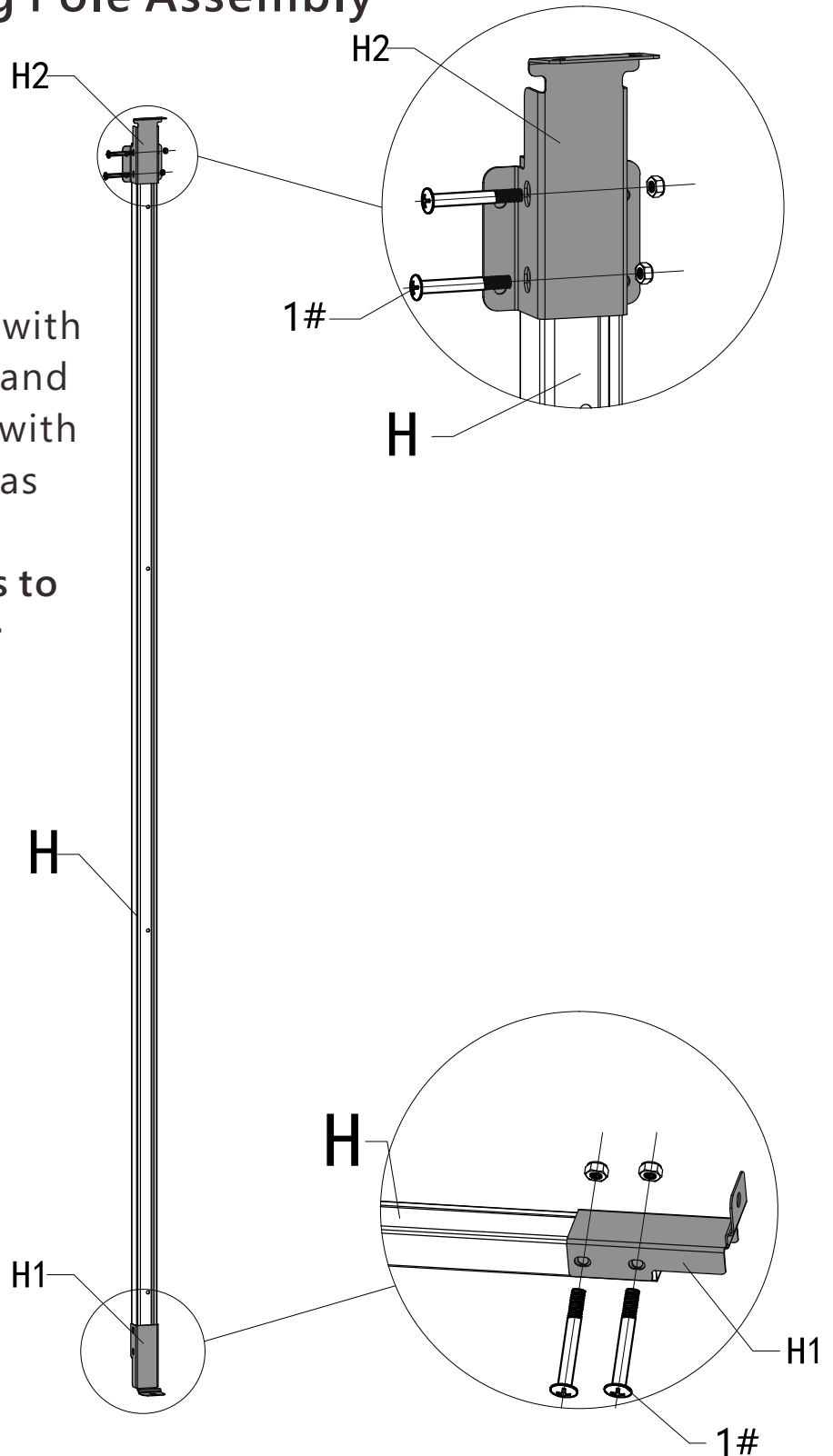
H - x2

1# - x8

Rear Supporting Pole Assembly

Secure #H1 and #H with 2 bolts and nuts #1 and secure #H2 and #H with 2 bolts and nuts #1 as shown.

Repeat above steps to assemble the other supporting pole.

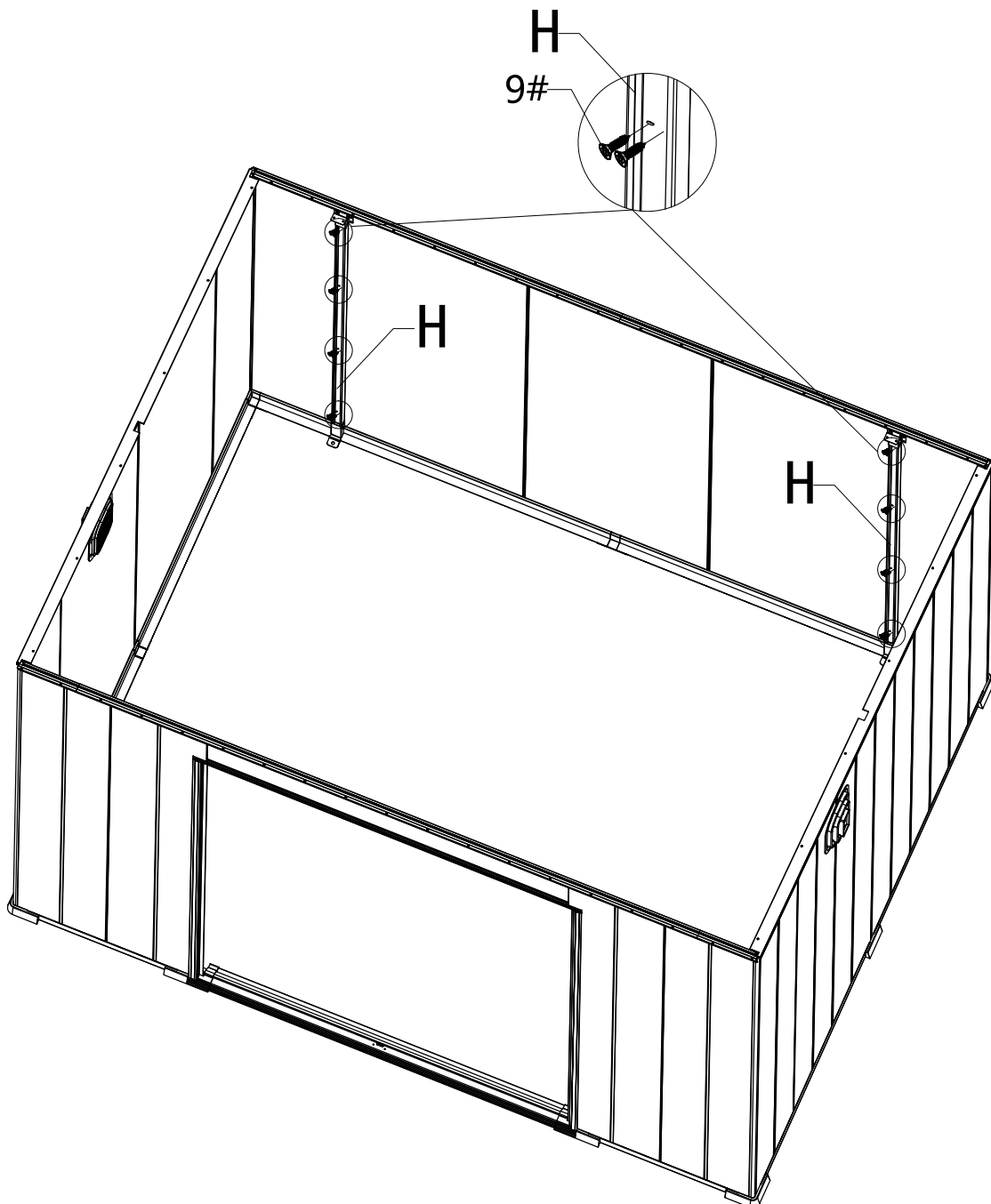


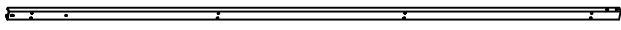


9# – x16

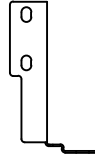
Use 8 screws#9 to secure supporting pole #H to wall panels.

Repeat above process to assemble the other pole.

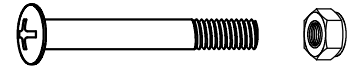




F - x2

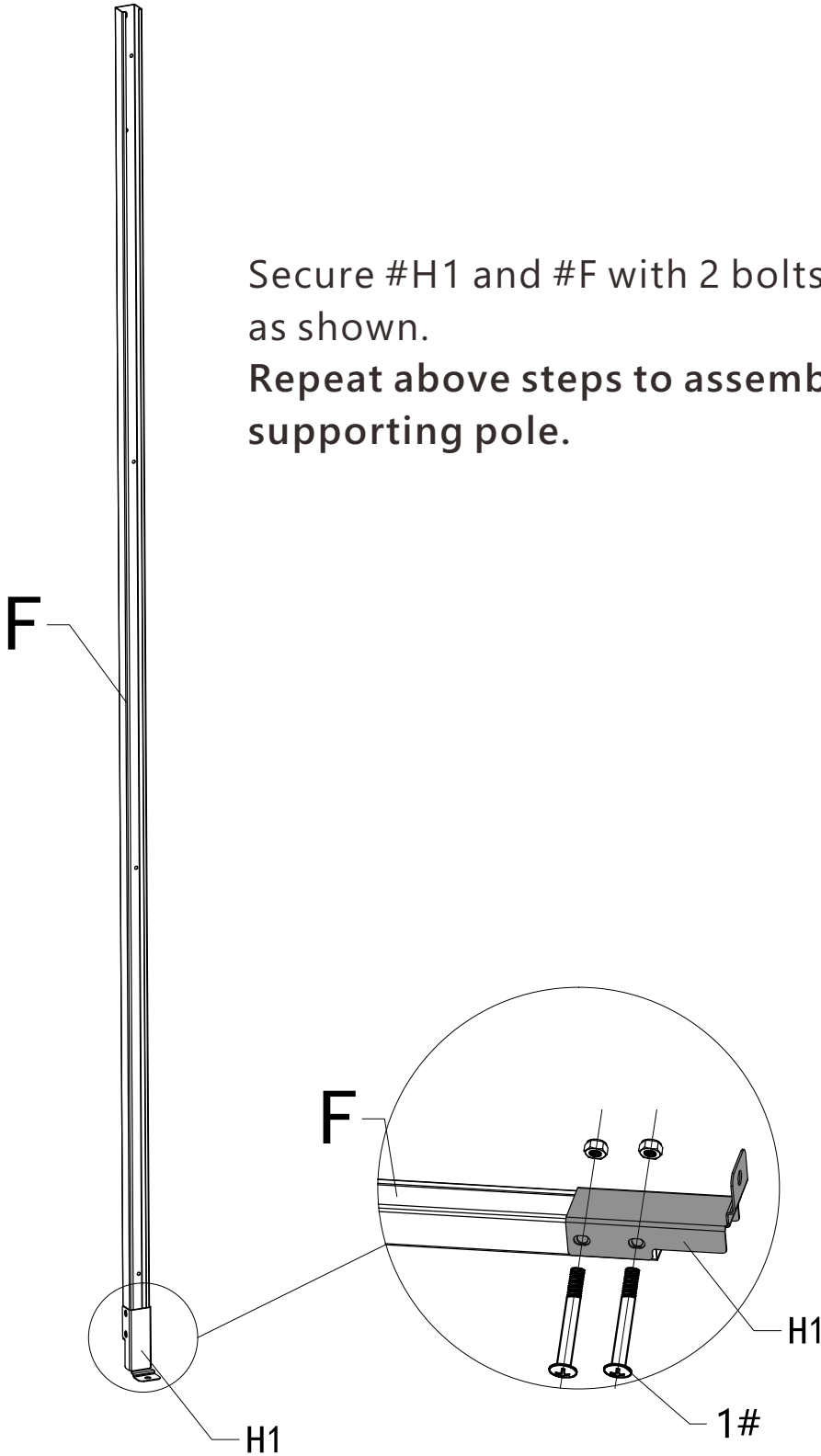


H1 - x2

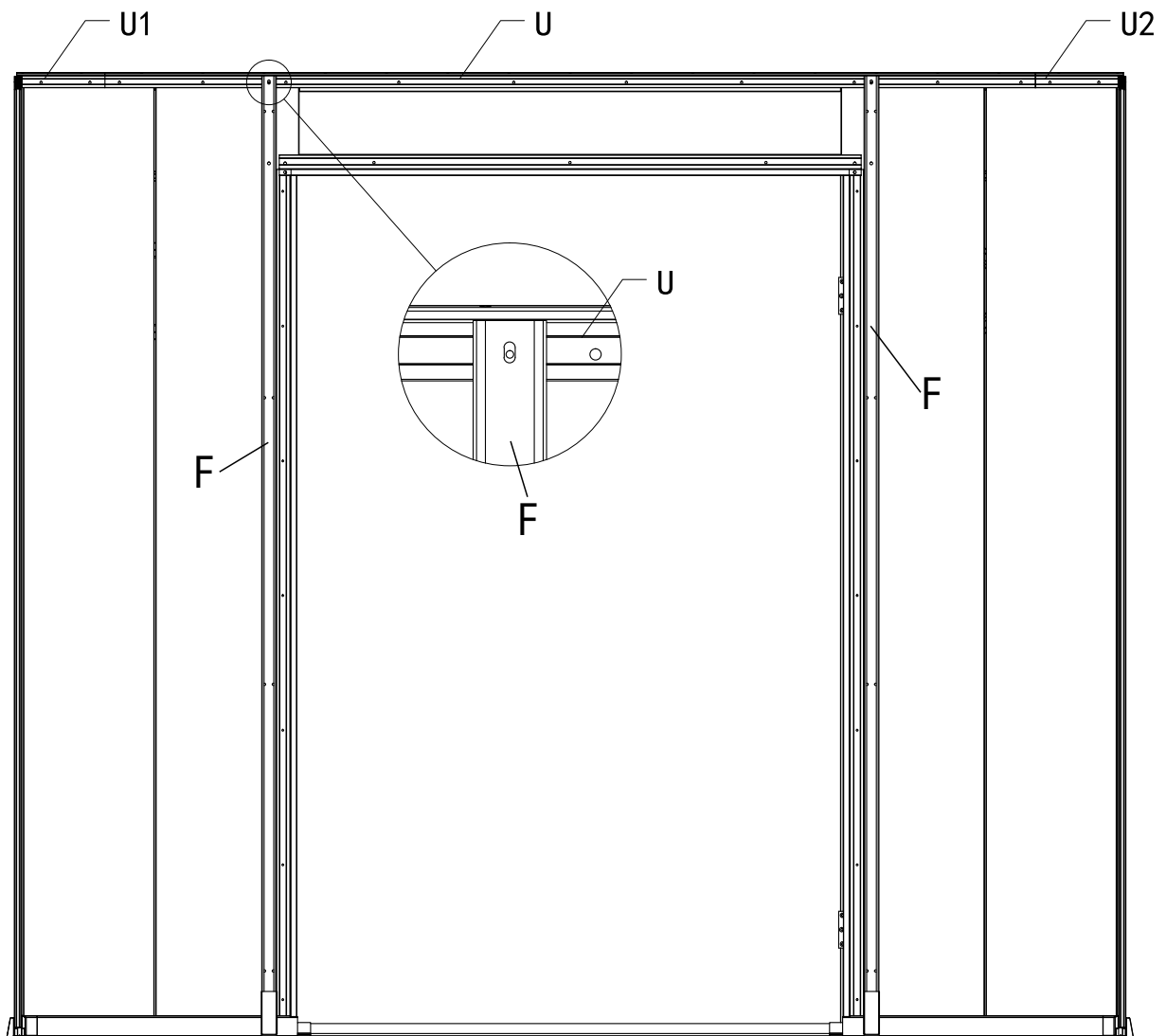


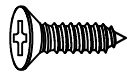
1# - x4

Secure #H1 and #F with 2 bolts and nuts #1 as shown.
Repeat above steps to assemble the other supporting pole.



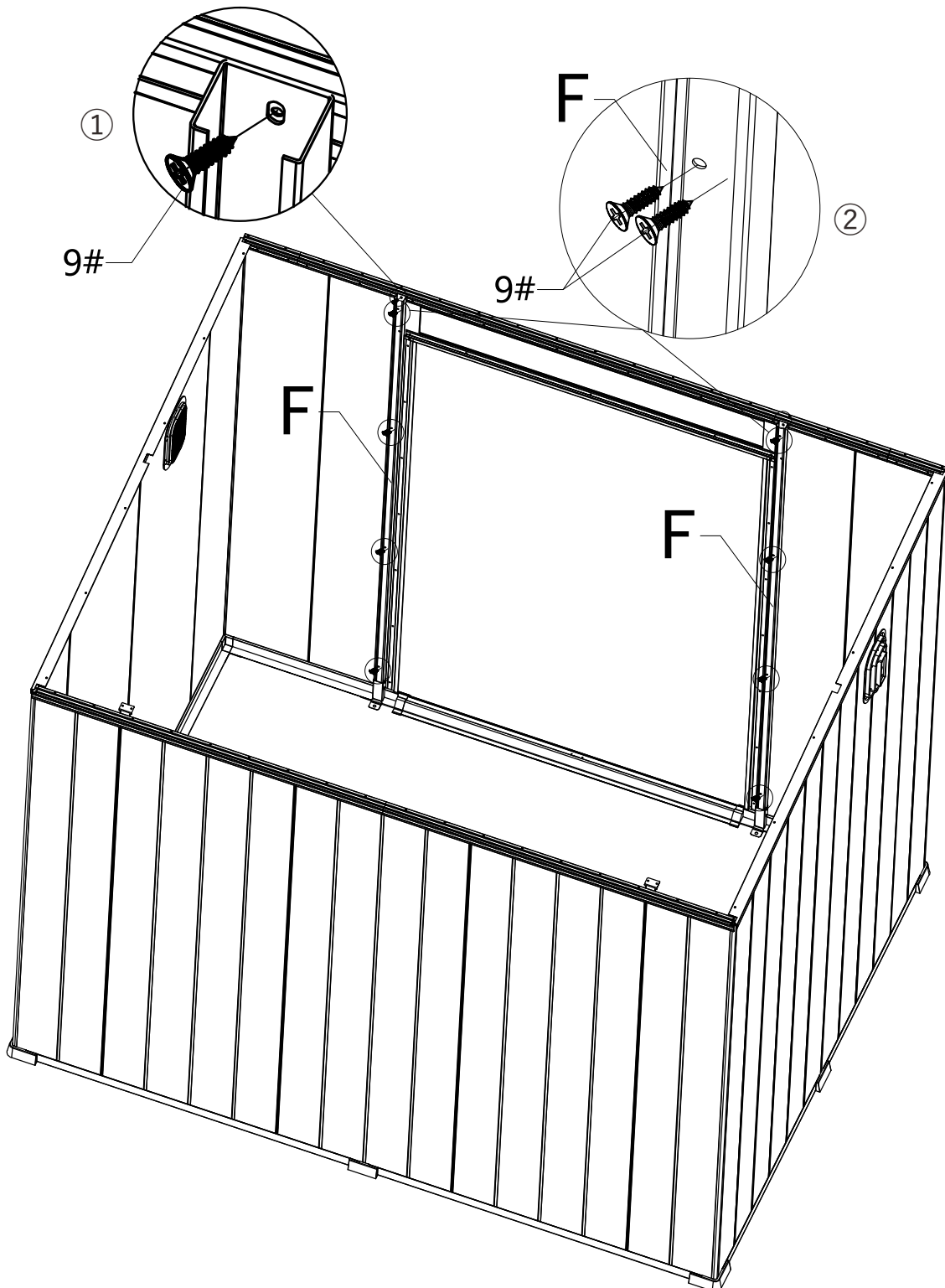
Before assembling, align the hole of supporting pole #F and the top frame #U.





9# – x18

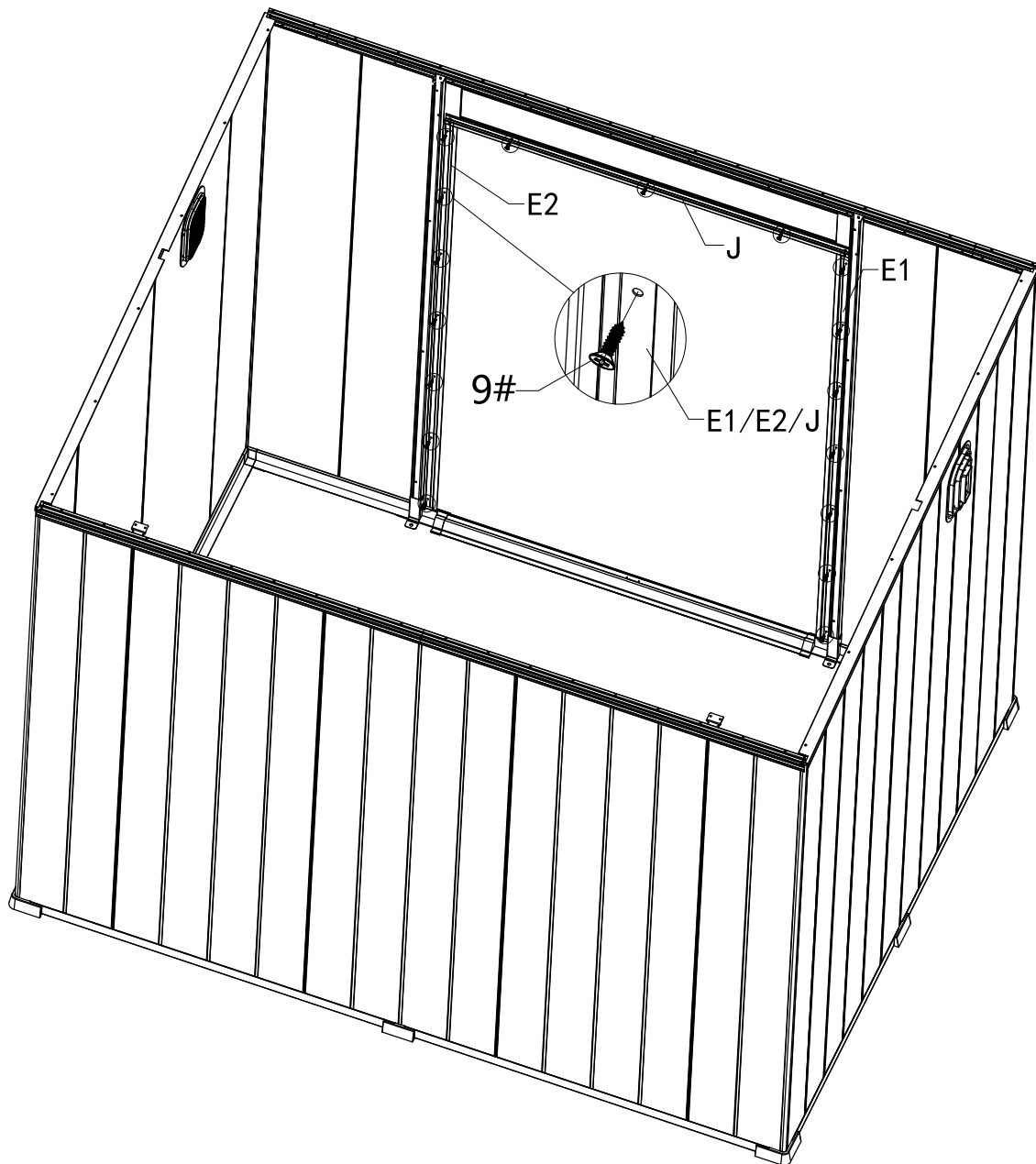
- ① Use 1 screw #9 to secure supporting pole #F to the top frame #U.
 - ② Use 8 screws #9 to secure supporting pole #F to wall panels.
- Repeat above process to assemble the other pole.

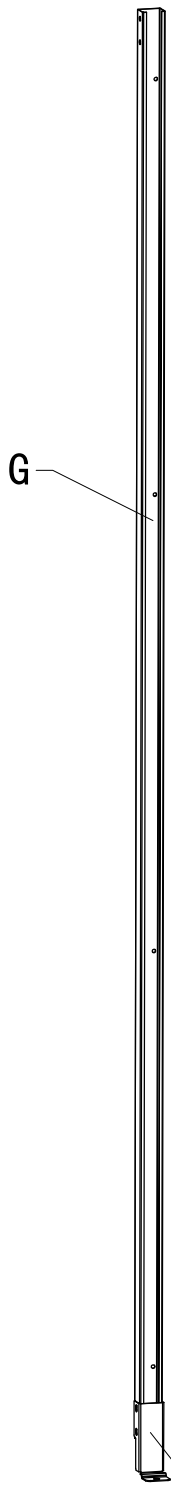
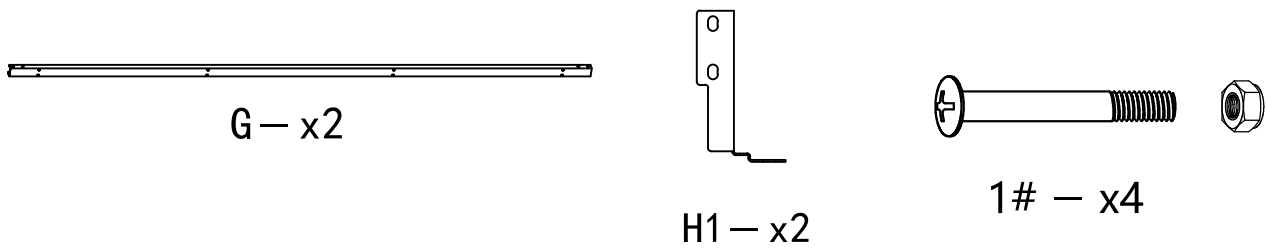




9# – x17

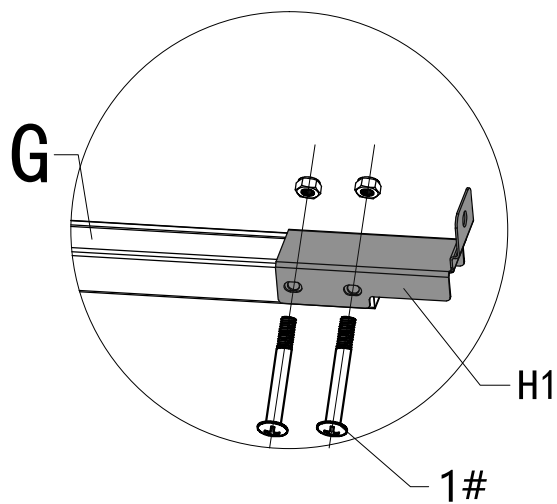
Use 17 screws #9 to secure door frame #E1,E2,J to wall panels.



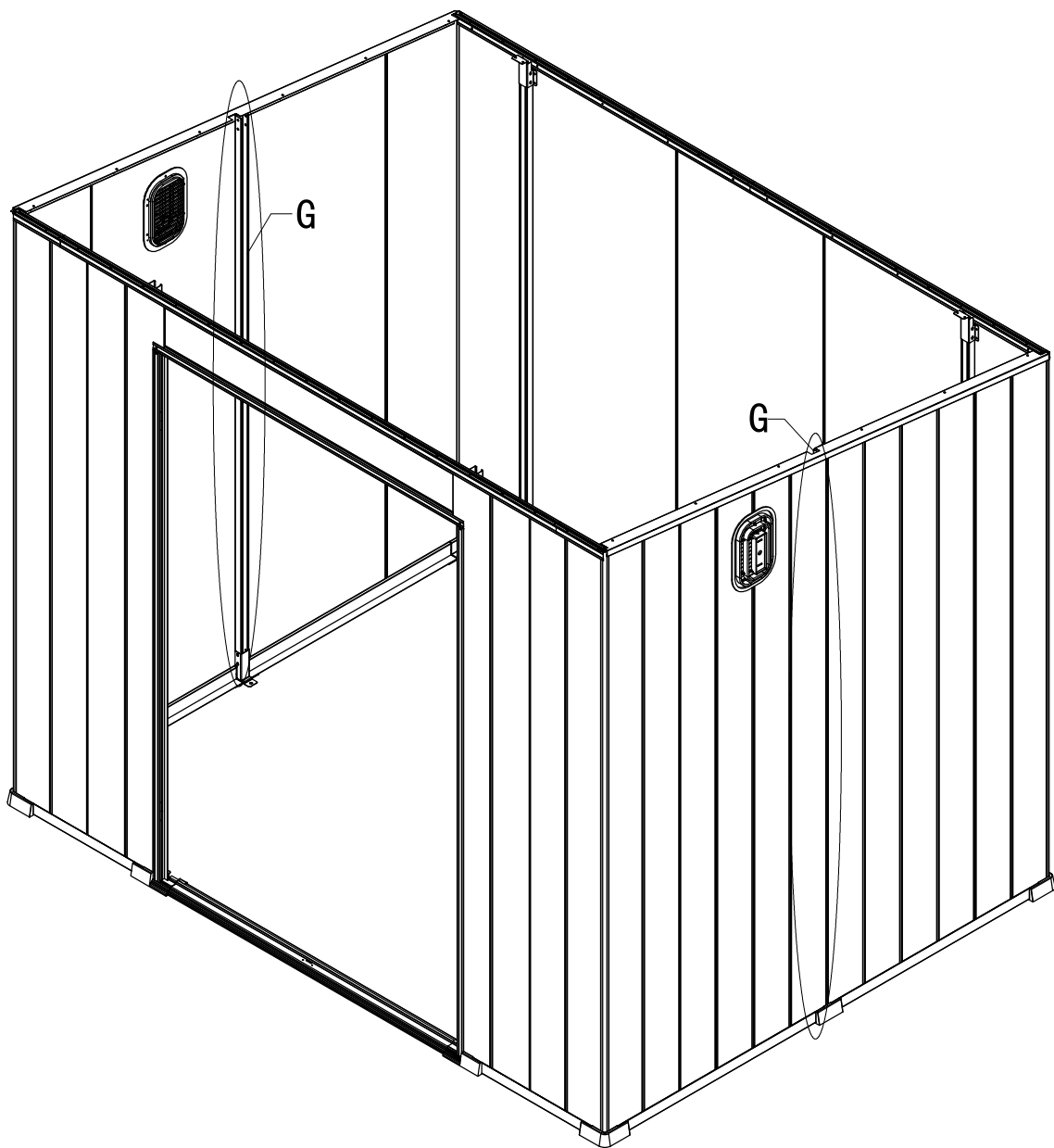


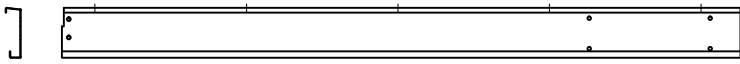
Secure #H1 and #G with 2 bolts and nuts #1 as shown.

Repeat above steps to assemble the other supporting pole.

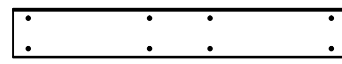


Install the Supporting Pole

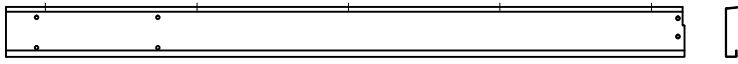




W1 - x1



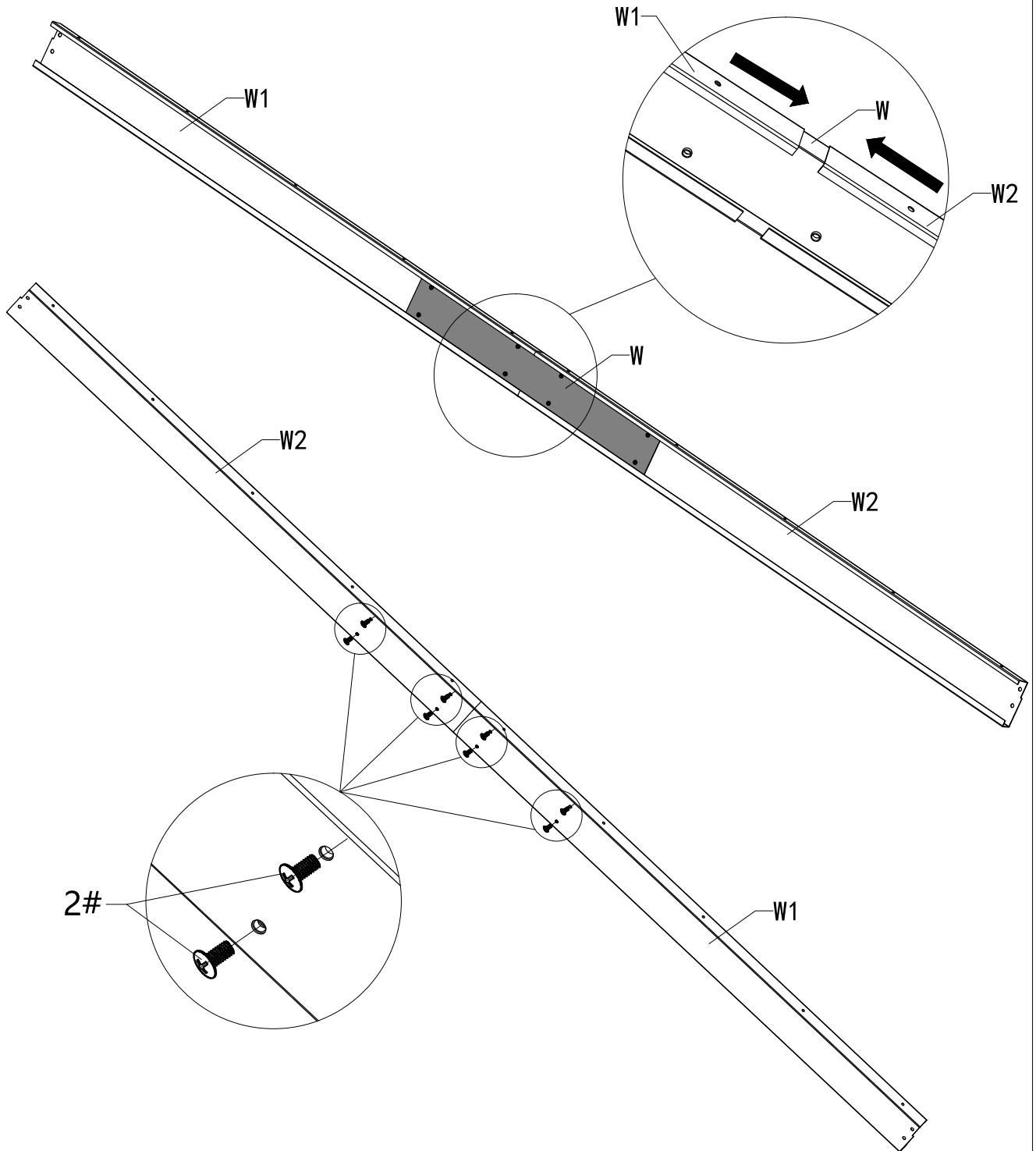
W - x1



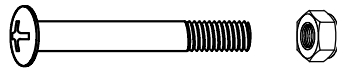
W2 - x1



2# - x8

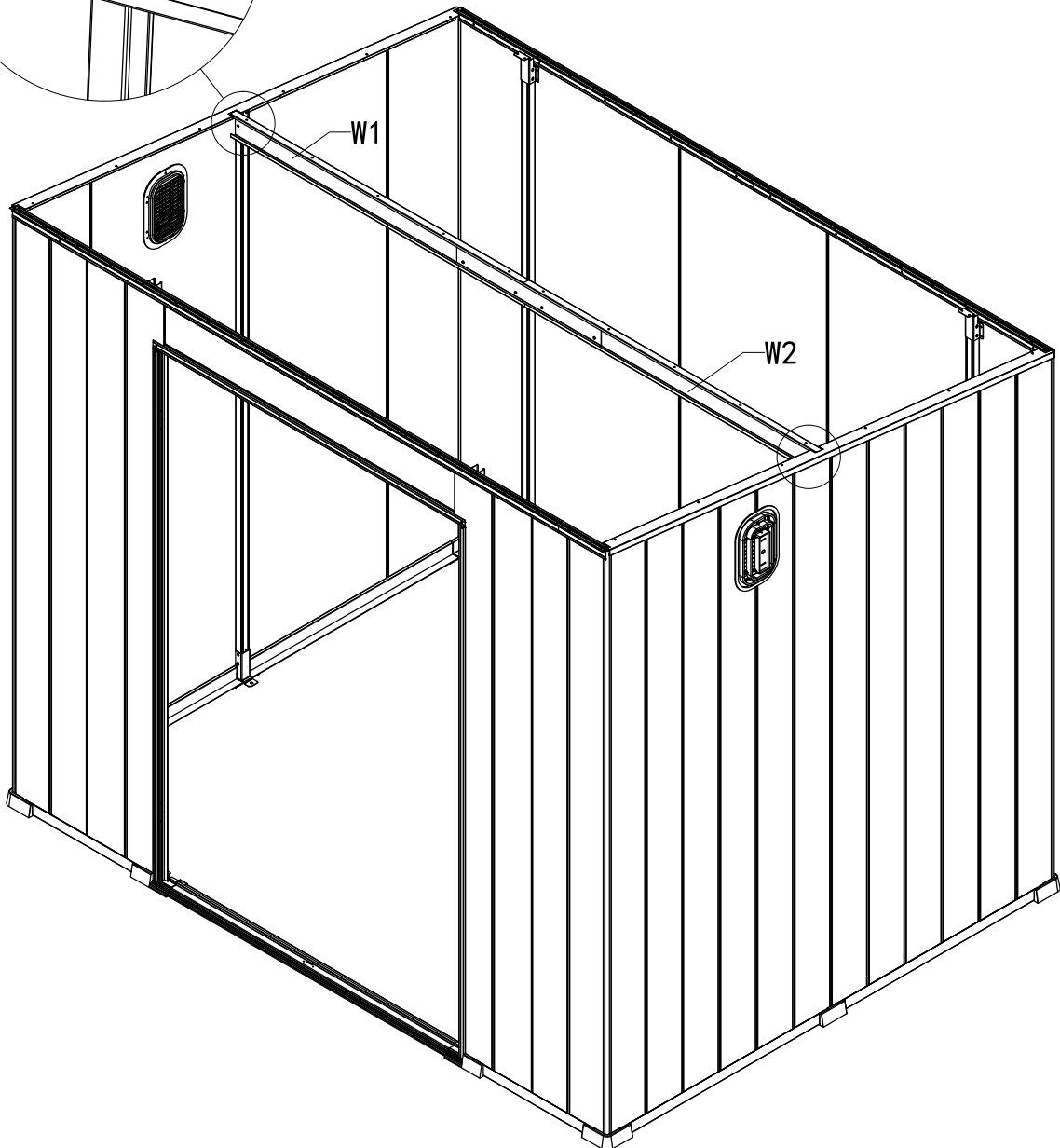
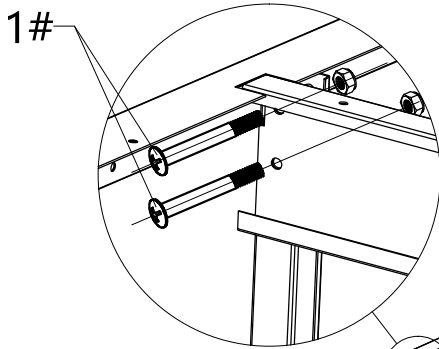


Use Connector #W to connect #W1 and #W2, align the holes and secure with 8 bolts #2.



1# - x4

Use 4 bolts and nuts #1 to fix # W1 & W2 to supporting pole #G.

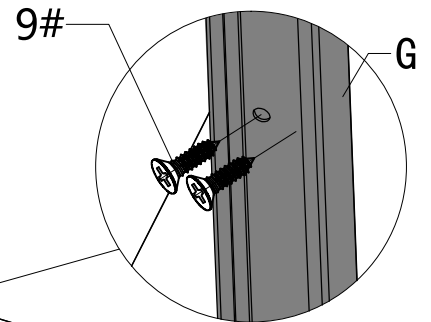


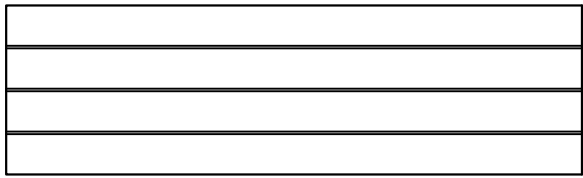


9# - x16

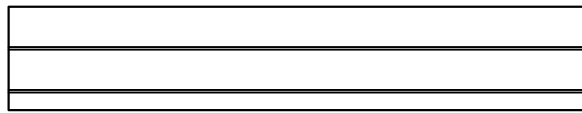
Use 8 screws #9 to secure supporting pole #G to wall panels.

Repeat above process to assemble the other pole.





X-x3

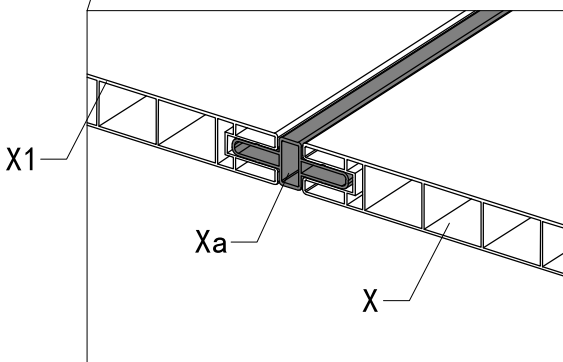
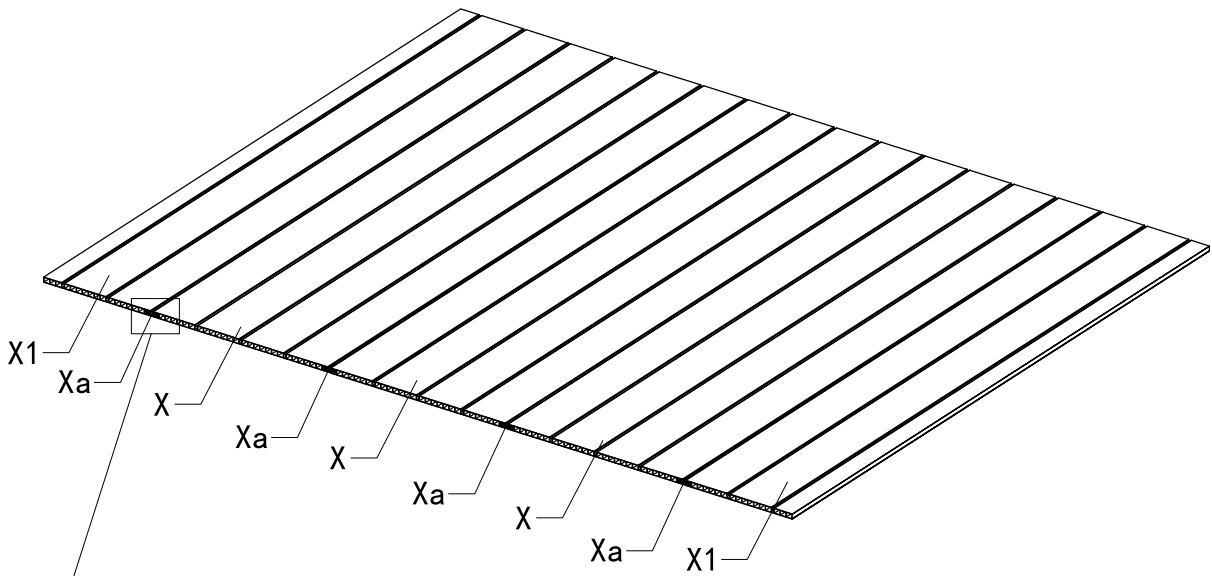


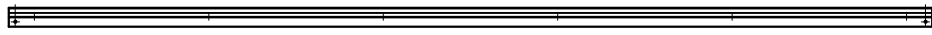
X1-x2



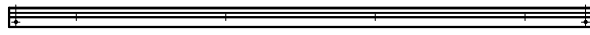
Xa-x4

Connect 5 roof panels with connecting rods #Xa.



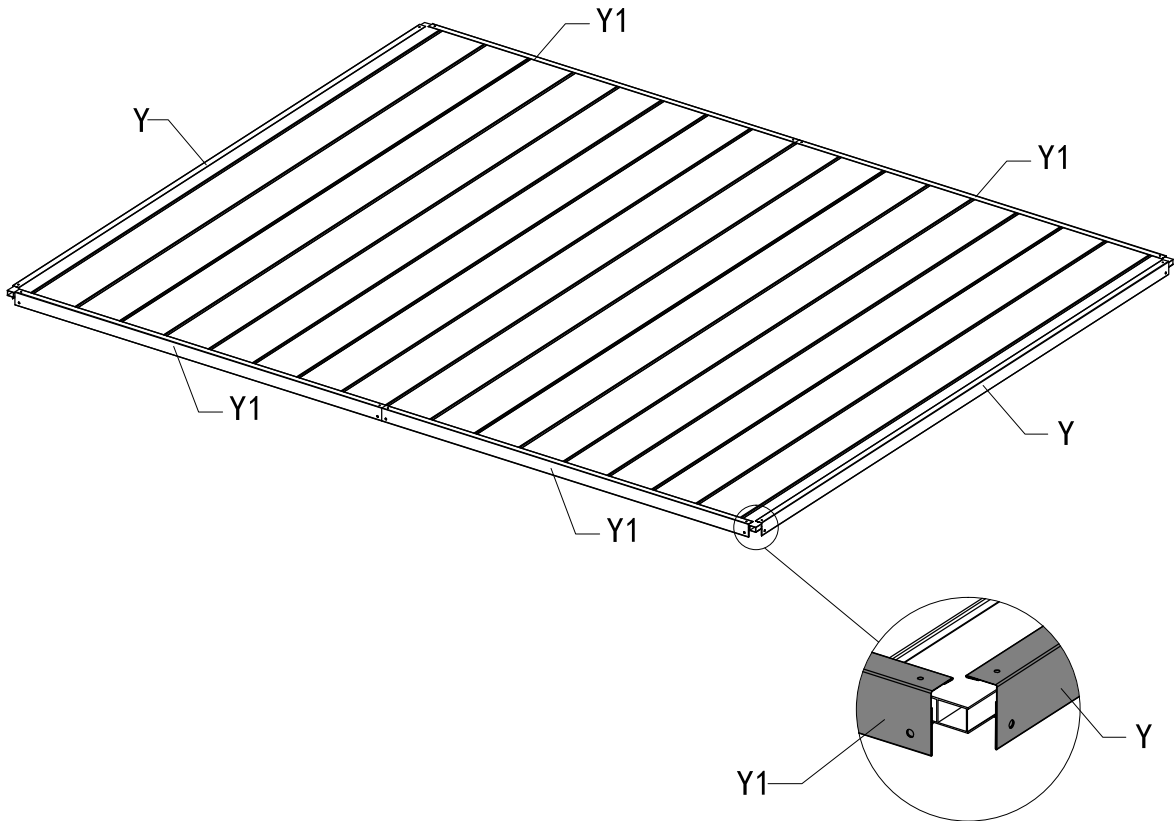


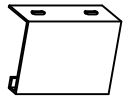
Y-x2



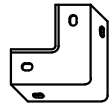
Y1-x4

Assemble 4 #Y1 and 2 #Y to roof panels.





Y2 - x2



GJF019 - x4

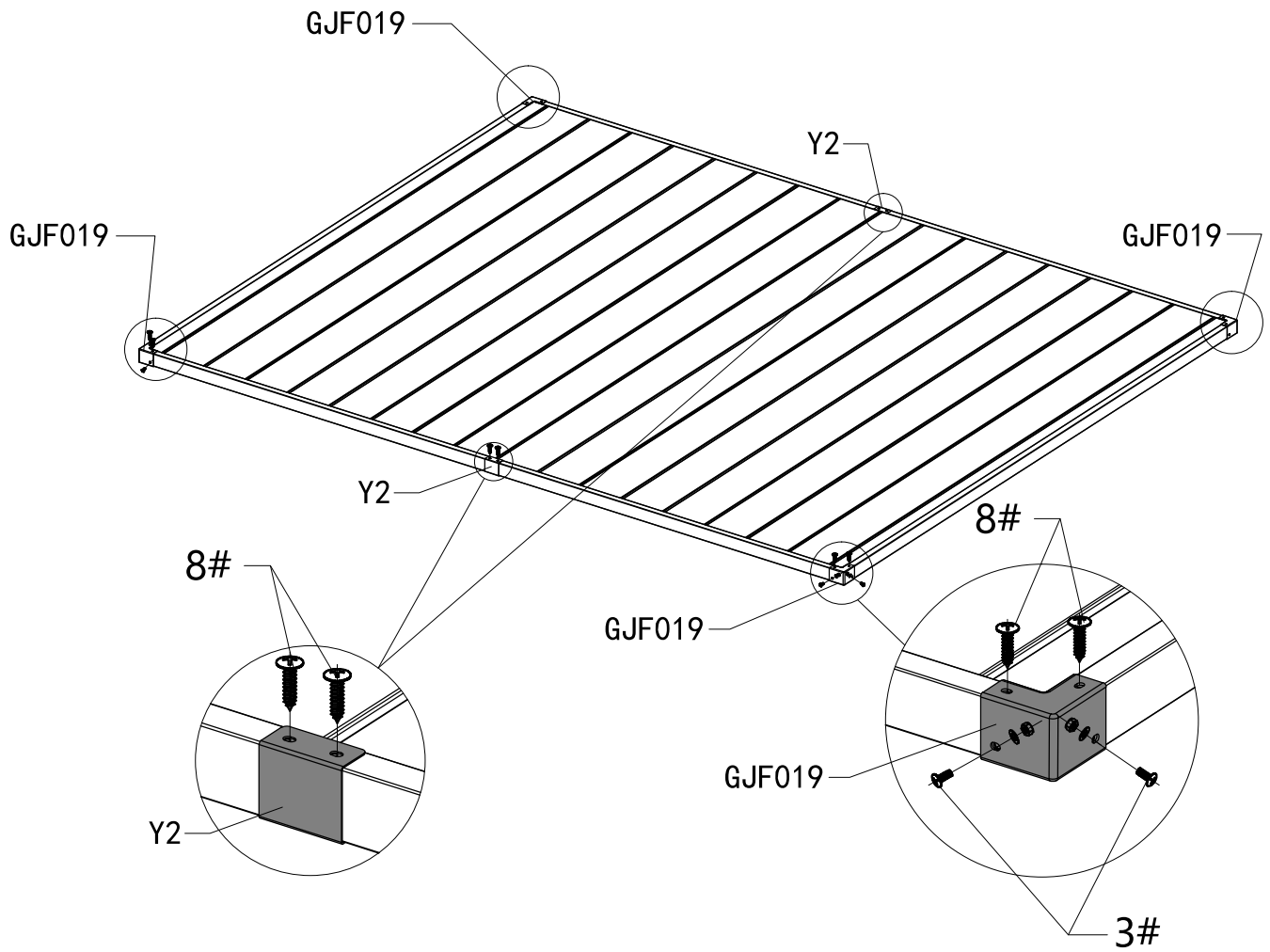


8# - x12



3# - x8

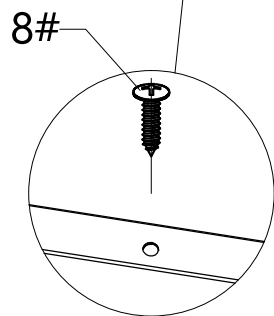
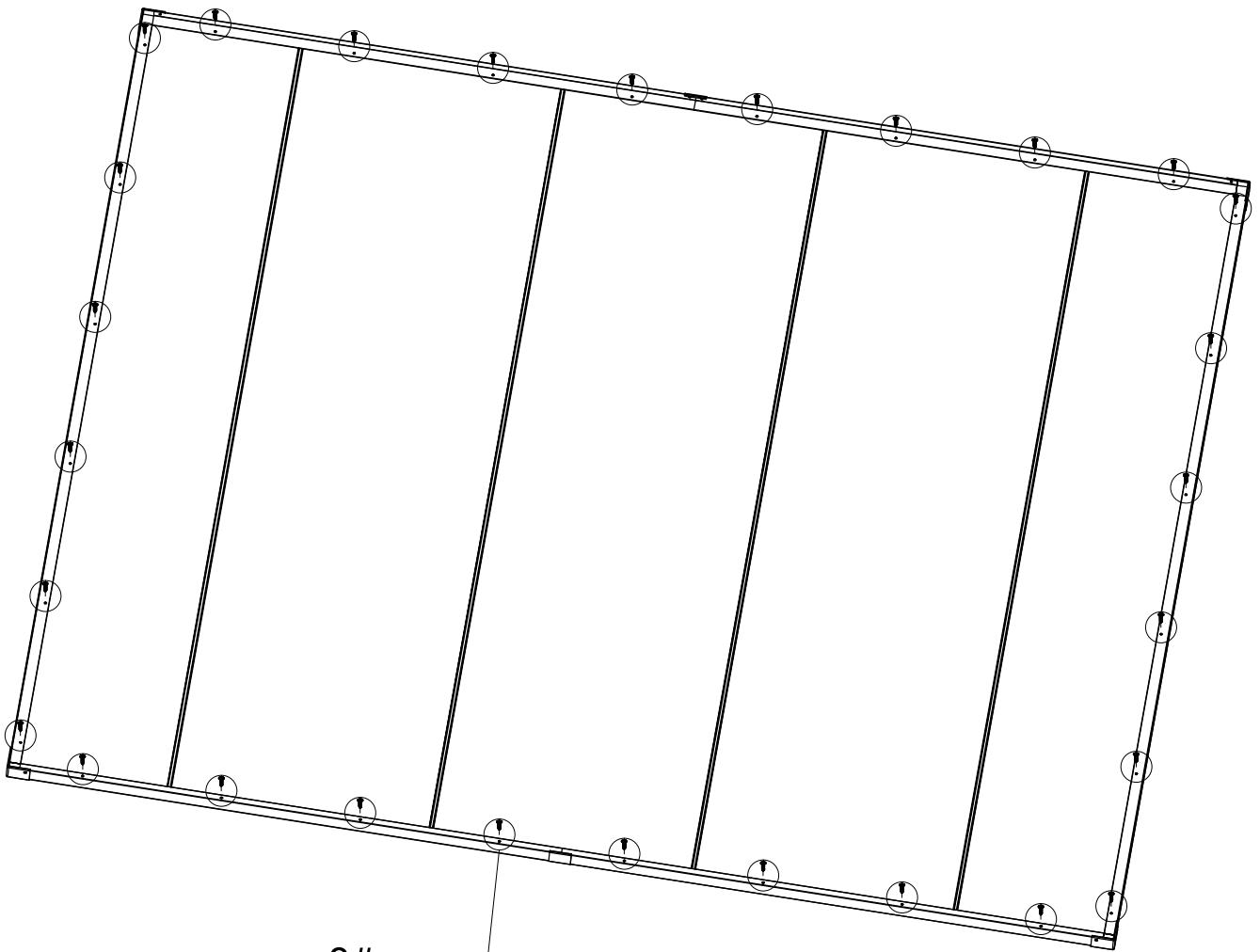
Corner Cover and Joint Cover Assembly:

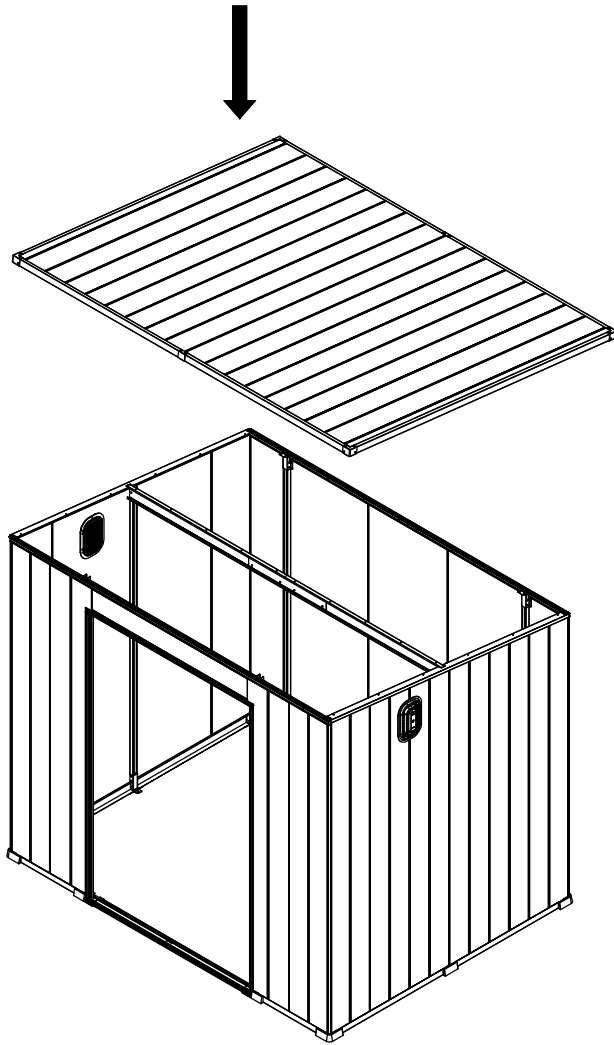




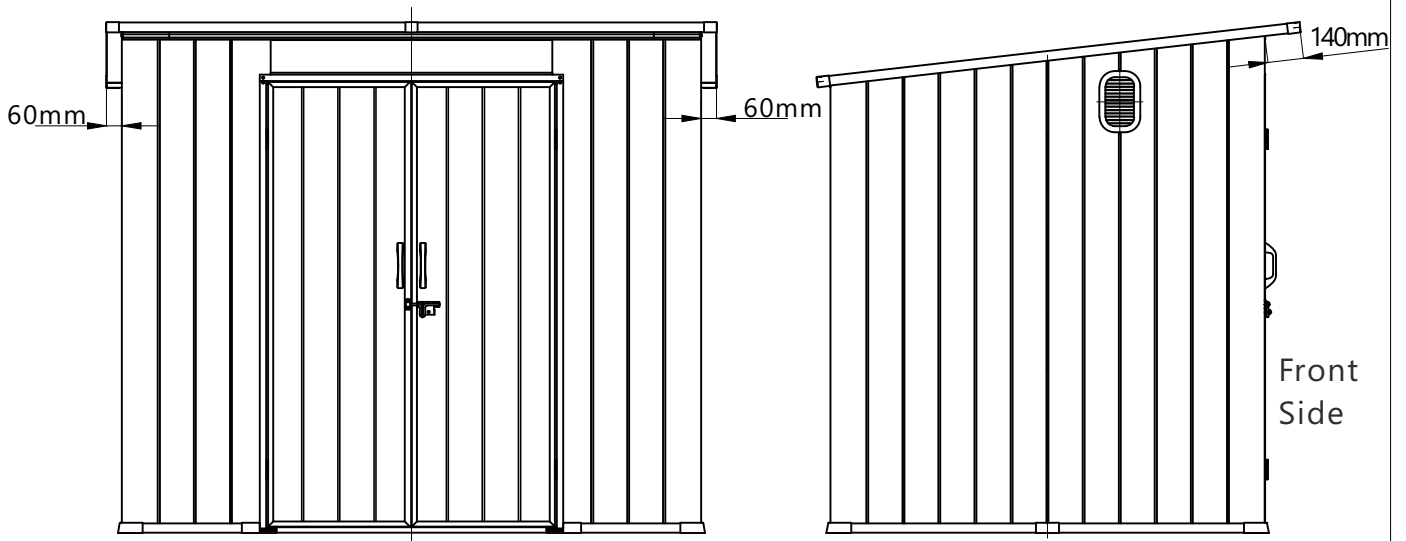
8# — x28

Use screws #8 to fix part #Y & Y1 to roof panels.





Put on the roof panels as shown.



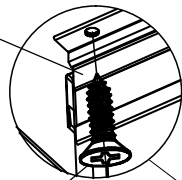


9# — x59



8# — x12

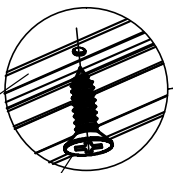
U/U1/U2



9#

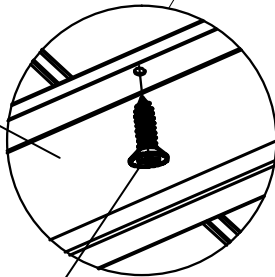
(3) Use 49 screws #9 to secure roof panels to wall panels.

T1/T2/V1/V2



9#

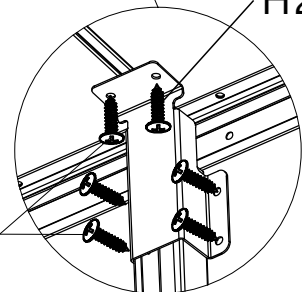
W1/W2



9#

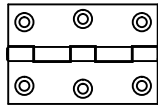
(2) Use 10 screws #9 to secure roof supporting bar to roof panels.

H2



8#

(1) Use 12 screws #8 to secure supporting pole #H to wall panels.

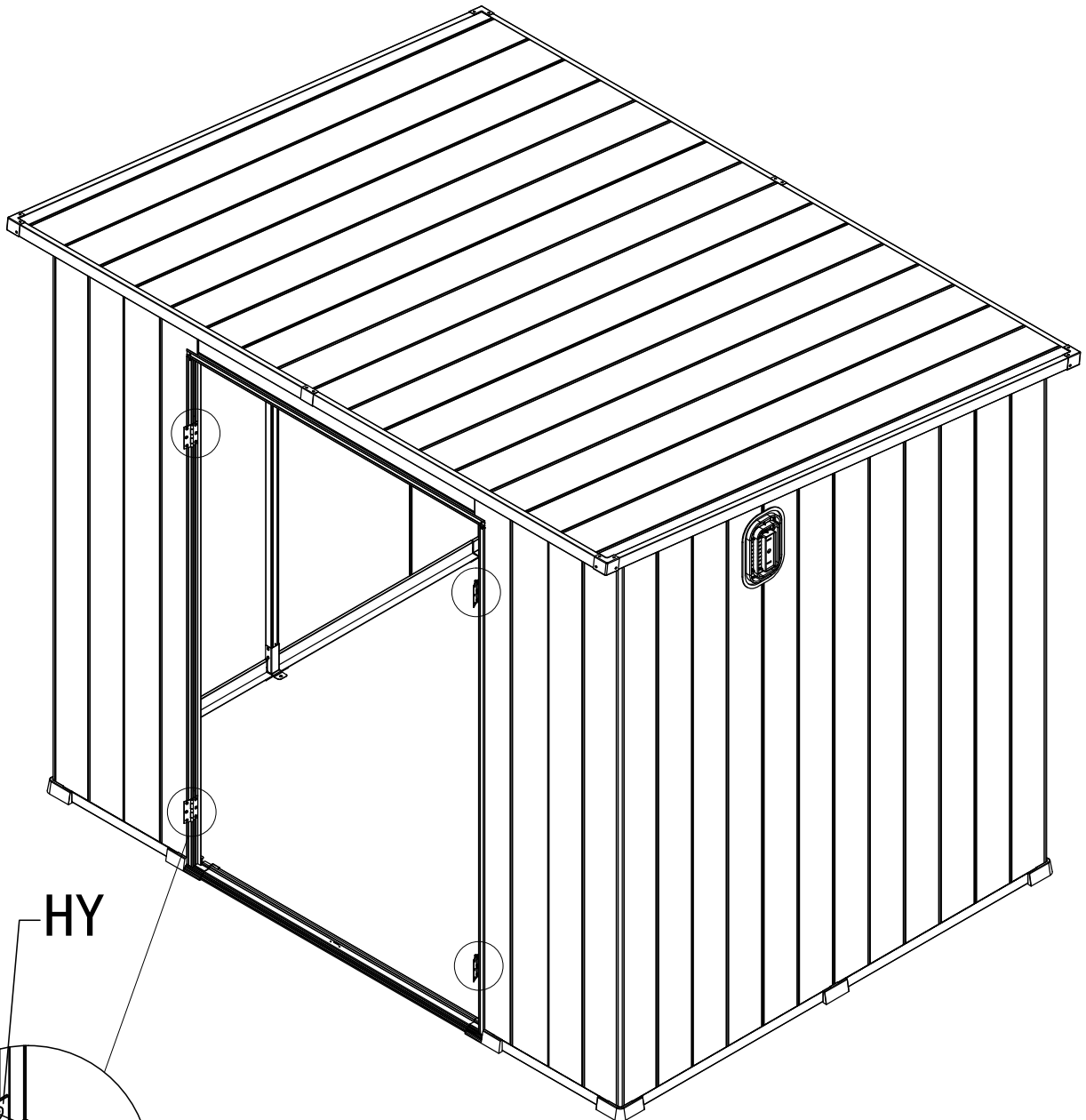


HY — x4

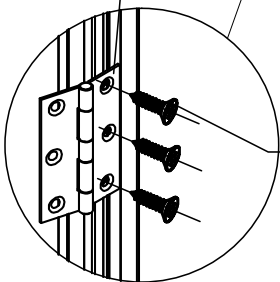


9# — x12

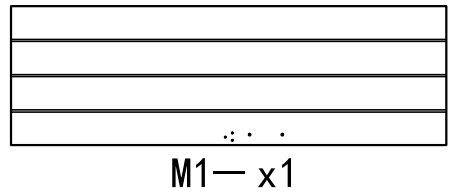
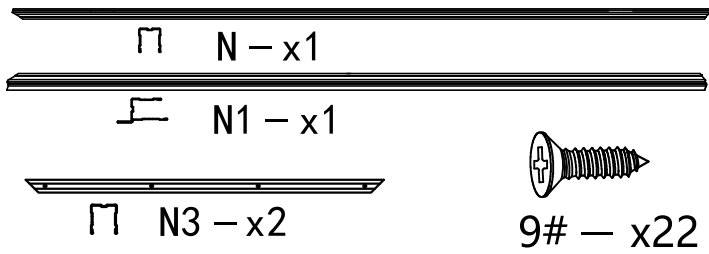
Assemble the 4 Hinges



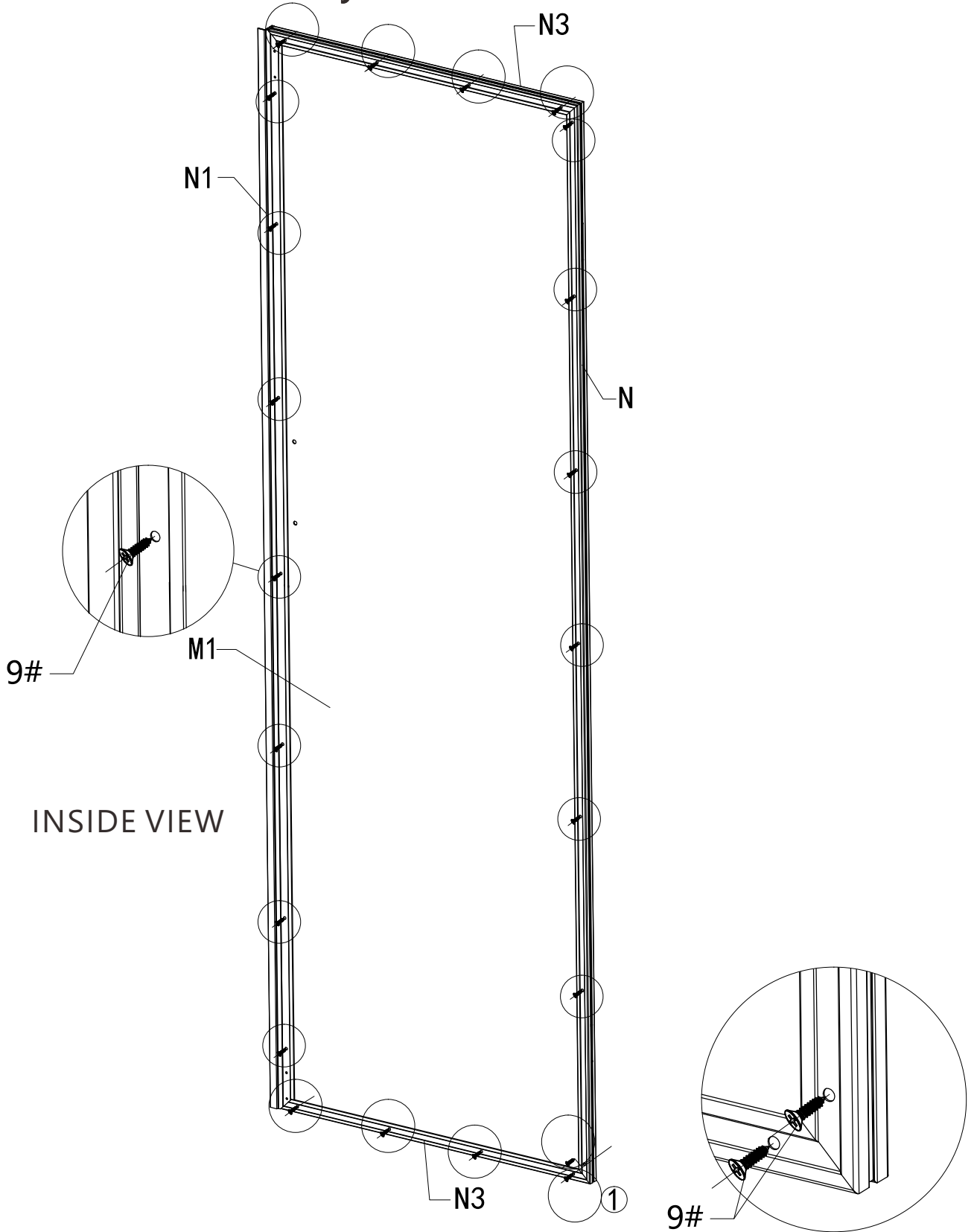
HY



9#

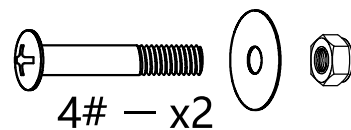


Door Frame Assembly



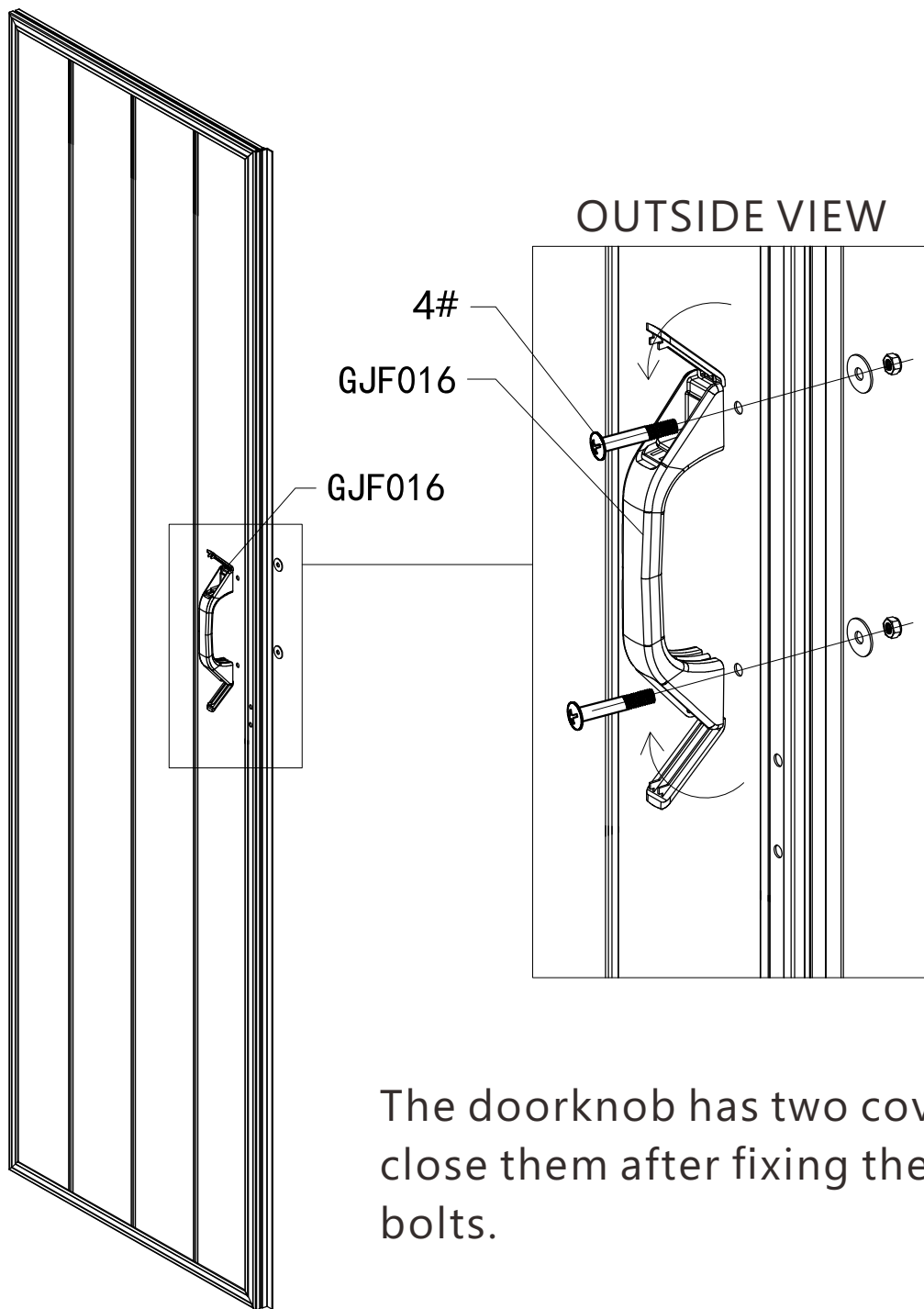


GJF016-x1

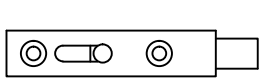


4# - x2

Doorknob Assembly



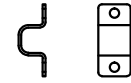
The doorknob has two covers, close them after fixing the bolts.



CX — x2

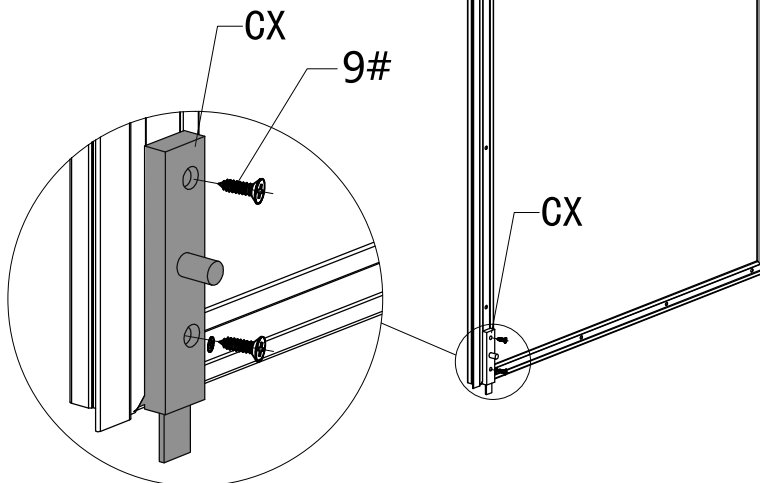
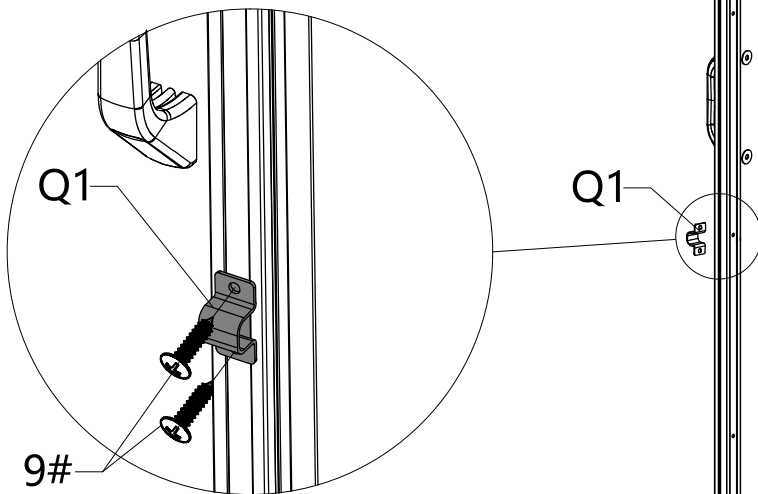
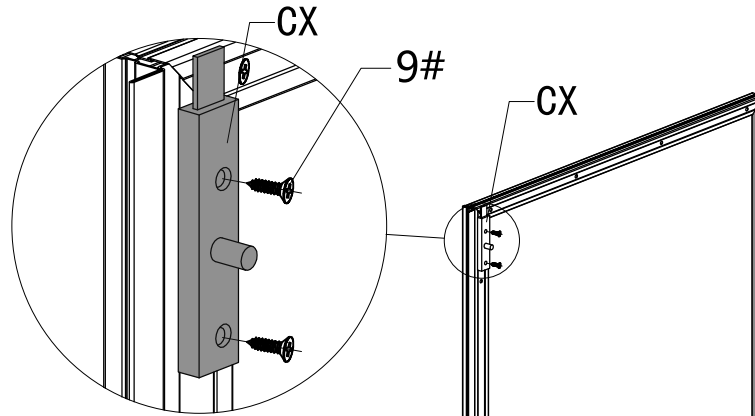


9# — x6



Q1 — x1

Install the top and bottom latches.



INSIDE VIEW



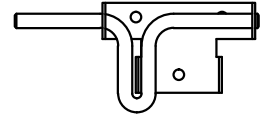
GJF016-x1



4# - x2

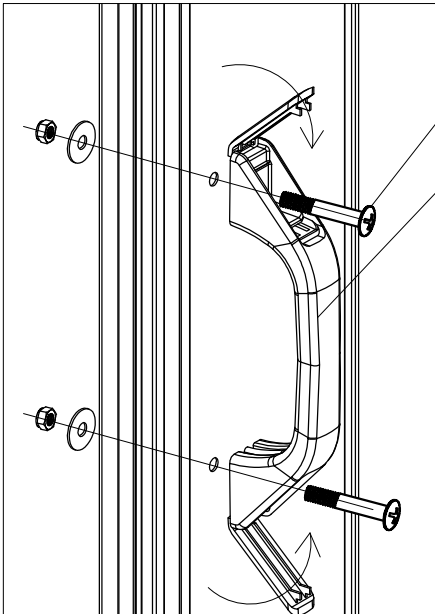


5# - x3

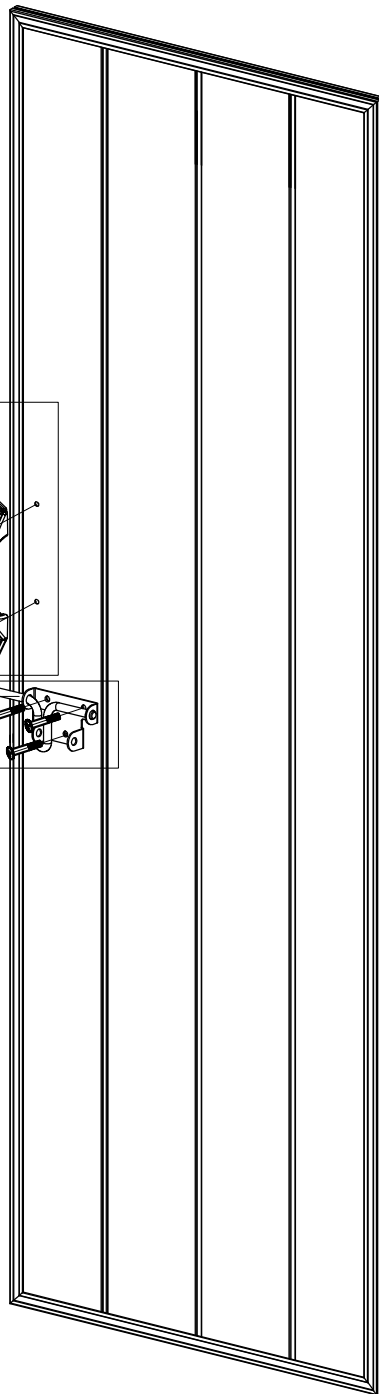
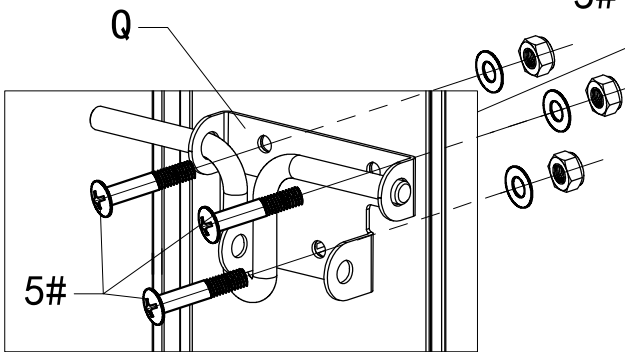
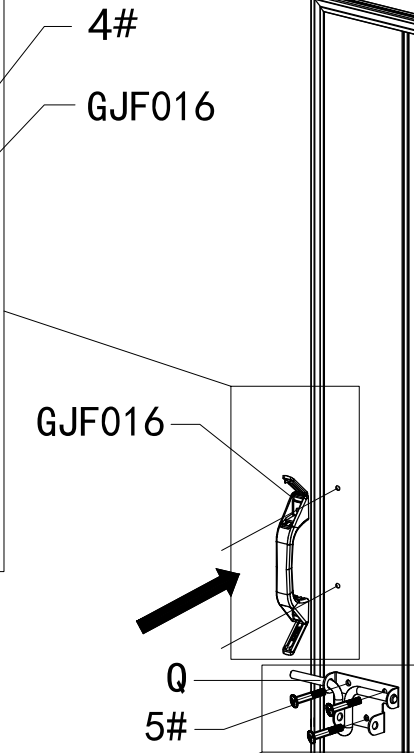


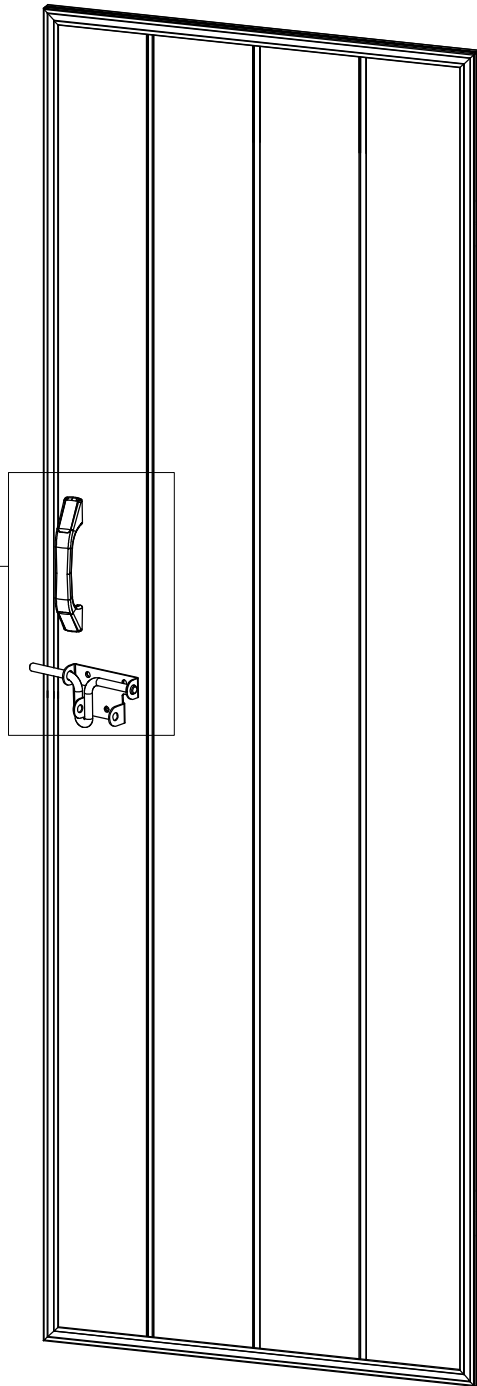
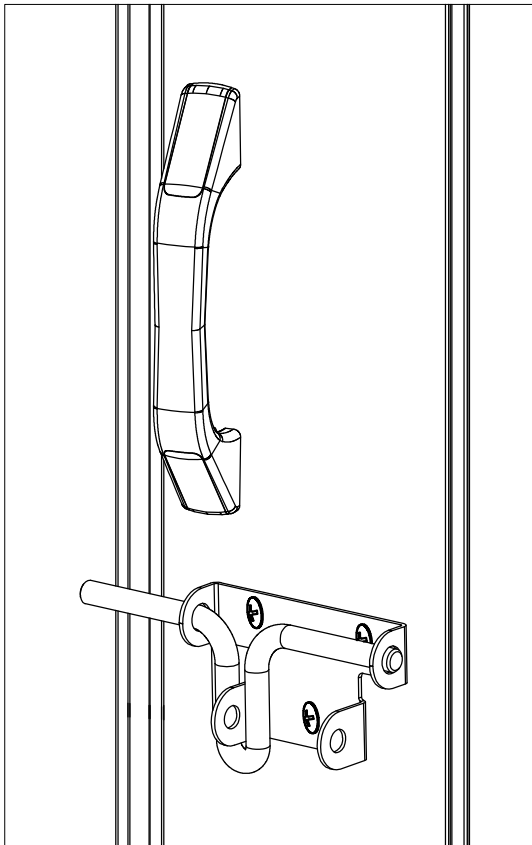
Q-x1

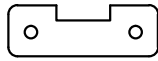
Doorknob and Locks Assembly



OUTSIDE VIEW



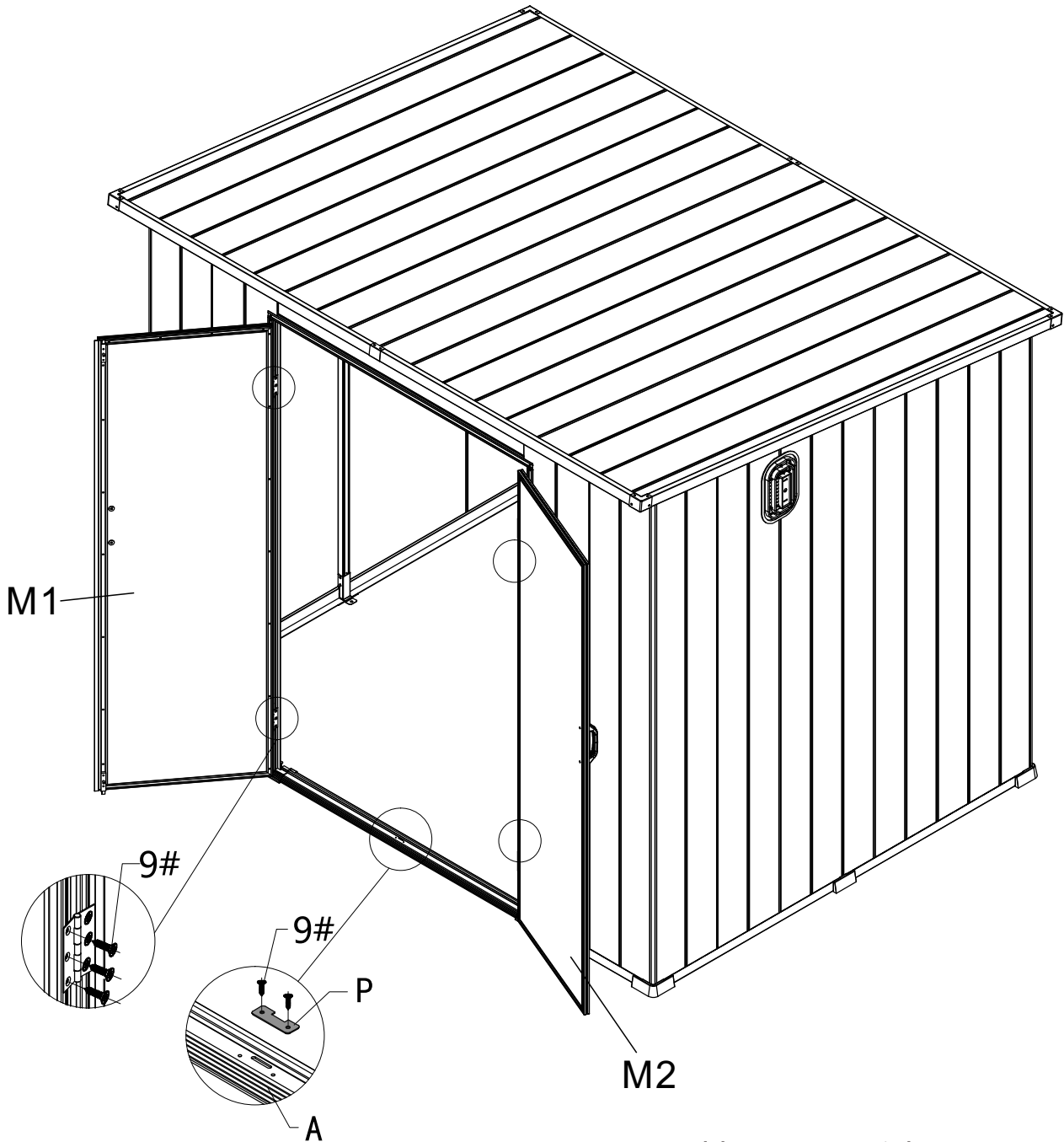




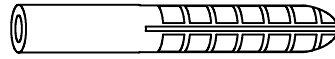
P — x1



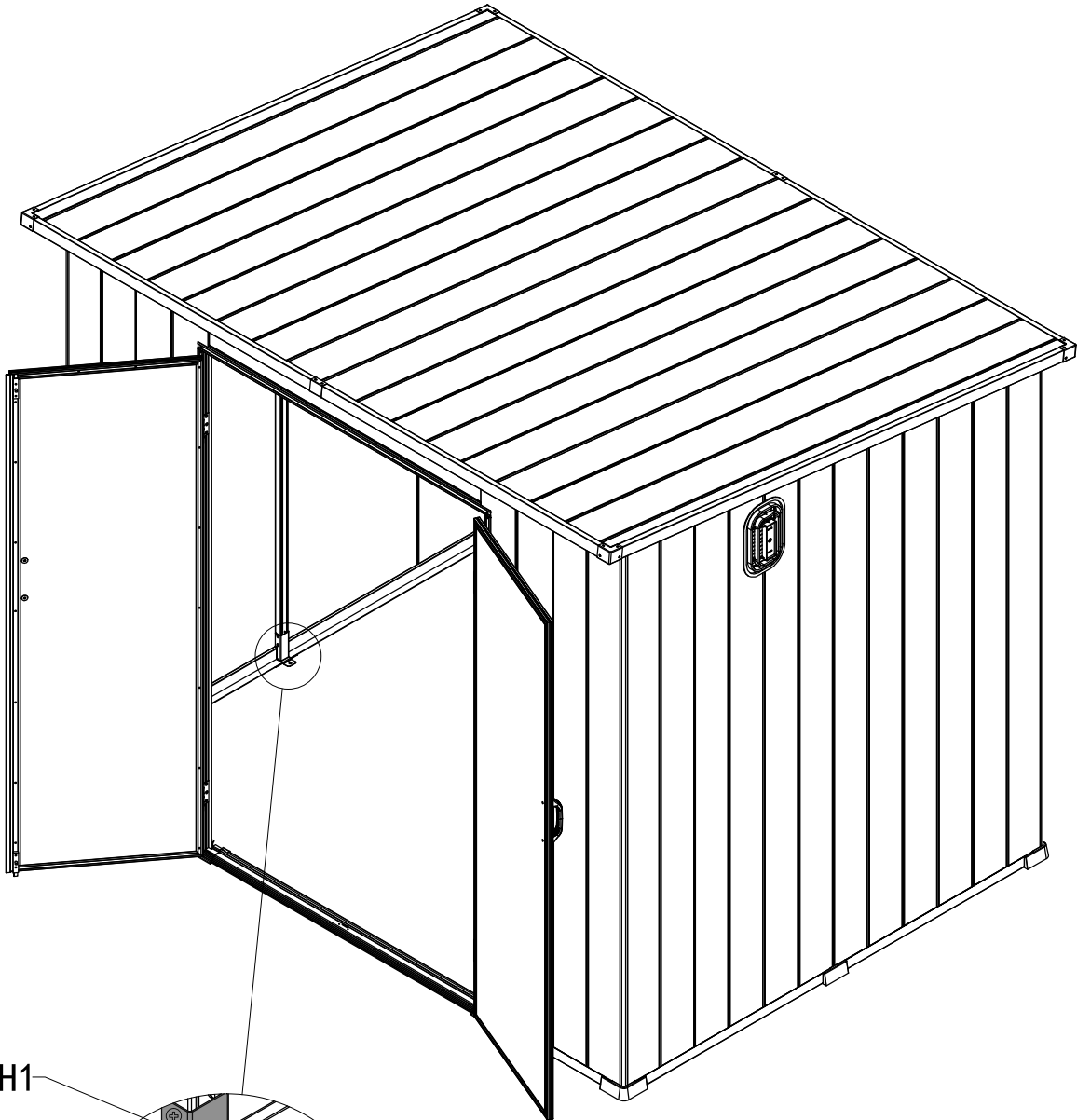
9# — x14



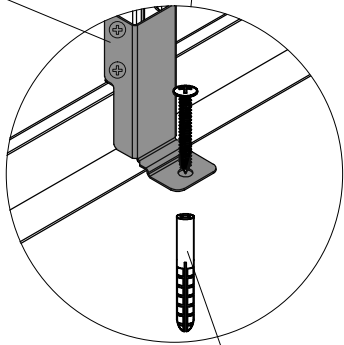
Secure #P and base #A with 2 screws #9.
Note: The notch of #P faces inward.
Secure 2 doors and 4 hinges with 12
screws #9.



10# — x6



H1



10#

Drill holes in the ground first, then secure the chassis to the foundation with 6 expansion screws #10.



Thanks for your purchase.

At domi outdoor living, we believe in our products.

That's why we provide a 12-month warranty and friendly, easy-to-reach after-sales service. So, if you have any questions about our product or assembly, please feel free to contact us. We are here for you.

Support:  

After-sales contact email:

service@domioutdoorliving.com

Please have your order ID available if you reach out for support.

If you have damaged parts or product, please send us photos for an immediate response.