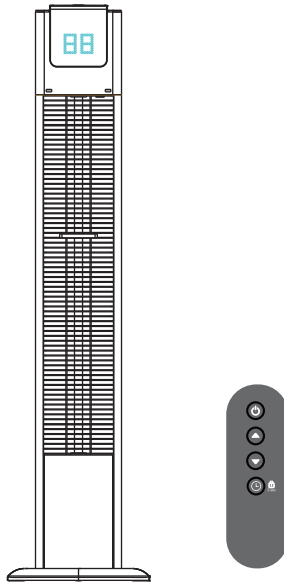


# USER MANUAL

---

Infrared Heater (Indoor/Outdoor)

**Model:** TSH-TP2  
120V~ 60Hz 1500W



PLEASE READ INSTRUCTIONS CAREFULLY BEFORE ASSEMBLY  
RETAIN THIS MANUAL FOR FUTURE REFERENCE

# CONTENTS

English

<b>01 SAFETY PRECAUTIONS</b>	<b>1</b>
<b>02 PACKAGE CONTENTS</b>	<b>3</b>
<b>03 INSTALLATION</b>	<b>4</b>
<b>04 OPERATION</b>	<b>6</b>
<b>05 CLEANING AND MAINTENANCE</b>	<b>9</b>
<b>06 TROUBLESHOOTING</b>	<b>10</b>
<b>07 TECHNICAL SPECIFICATION</b>	<b>10</b>

# 01 SAFETY PRECAUTIONS

## INTRODUCTION

1. An infrared heater or heat lamp is a device that uses a high-temperature emitter to transfer energy to a cooler object through electromagnetic radiation.
2. The infrared radiation heater focuses on heating the body and objects, rather than the surrounding air or space.
3. Heating is only possible within the specified irradiation range.
4. A 6 feet distance offers a comfortable heated environment.
5. The 1500W maximum heating power is most effective during autumn, spring, and early winter.
6. To enhance heat retention and keep you warm, it is advised to use it in an enclosed patio, covered deck, screened porch, garage, basement, workshop, and so on.
7. Ensure your children and pets are safe from burns by taking care of them.
8. Place the heater on a flat surface to keep the tip-over switch at the bottom activated.

## IMPORTANT SAFETY INSTRUCTIONS

**READ CAREFULLY** - The infrared heater is designed for safe operation. Nevertheless, installation, maintenance and operation of the heater can be dangerous. Observing the following procedures will reduce the risk of fire, electric shock, injury to persons and keep installation time to a minimum.

1. Read all instructions before using this heater.
2. Remove the unit from its package and check to make sure it is in good condition before using.
3. Use the appliance only for the intended purpose. The manufacturer is not responsible for any damage caused by improper or faulty use.
4. In order to maintain the product's durability, please avoid excessive exposure to severe environmental conditions such as rain or direct sunlight.
5. This appliance is not intended for use by persons with reduced physical, sensory or mental capabilities, or lack of experience and knowledge, unless they have been given supervision or instruction concerning use of the appliance by a person responsible for their safety.
6. Young children should be supervised to ensure that they do not play with the appliance and parts of package (such as plastic bags).
7. The fireguard does not give full protection for young children or disabled person.
8. Warnings and important instructions appearing in this guide are not meant to cover all possible conditions and situations that may occur. Common sense, caution, and care must be exercised when installing, maintaining, or operating your appliance.

## Risk of electric shock!

1. Check the household voltage to ensure it matches the heater's rated specification.
2. Check the power cord and plug carefully before use to make sure that they are not damaged.
3. If the supply cord is damaged in any way, it must be replaced by the manufacturer or its service agent or a similar qualified person in order to avoid a hazard.
4. Before cleaning the appliance or carrying out any maintenance, make sure the appliance is unplugged from the socket outlet.
5. Do not use this heater in the immediate surroundings of bath, a shower or a swimming pool.

## Risk of fire!

**WARNING: In order to avoid overheat, do not cover the heater.**

1. The heater must not be used if any of the glass sheaths of the heating elements are broken.
2. Do not use this heater with a programmer, timer or any other device that switches the heater on automatically.
3. Do not put flammable objects at places near or be pointed by the heater, such as furniture and pillows. Bedding, paper, cloths and curtains must be at least 1 meter (39") from the front of the heater and always kept at the sides and rear of the heater.

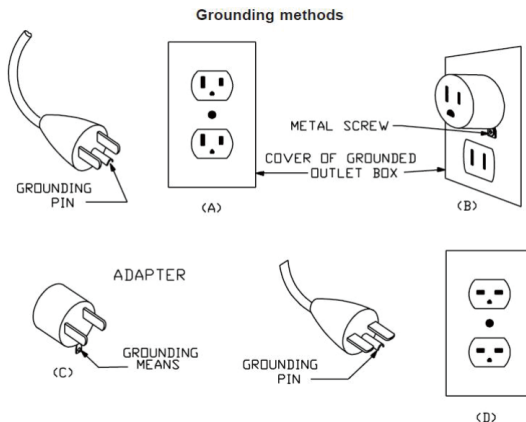
## Risk of burns!

1. Parts of the heater may exceed 392°F (200°C). Contact with the heating tube, reflector, or metal parts near the heating tube may cause severe BURNS. To avoid burns, do not let bare skin touch hot surface.
2. ALWAYS allow heating element to cool at least 10 minutes before touching the heating tube or adjacent part.

## ELECTRICAL CONNECTION

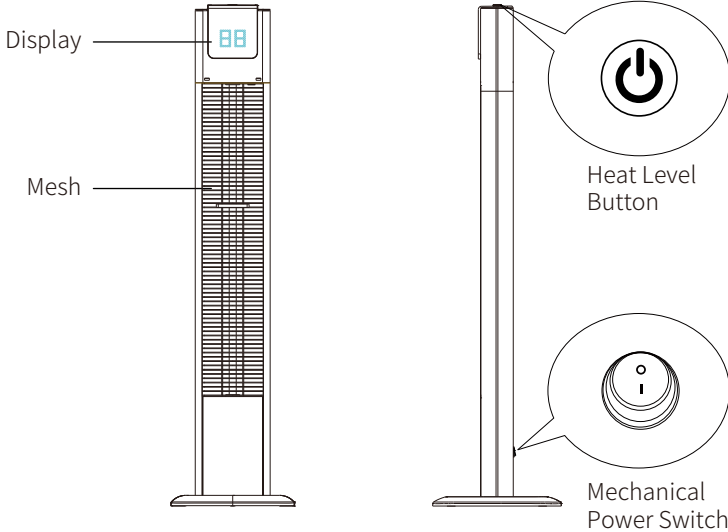
This heater is for use on 120 volts. The cord has a plug as shown at A in below Figure. An adapter as shown at C is available for connecting three-blade grounding-type plugs to two-slot receptacles.

The green grounding lug extending from the adapter must be connected to a permanent ground such as a properly grounded outlet box. The adapter should not be used if a three-slot grounded receptacle is available.

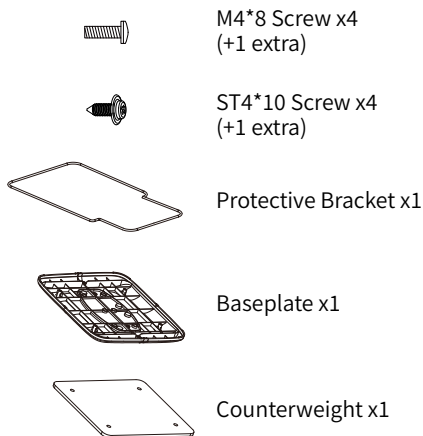


# 02 PACKAGE CONTENTS

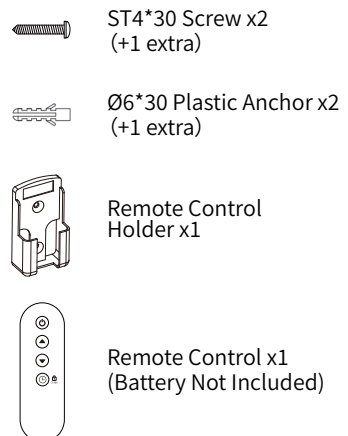
## Infrared Heater



### Parts for Installation



### Parts for Remote Control



# 03 INSTALLATION

## TOOLS NEEDED



Pencil



Hammer



Measuring tape



Drill



Phillips Screwdriver

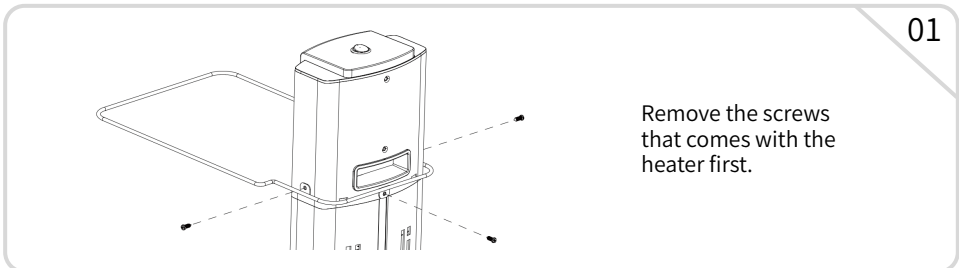
Note: These tools are not included in the product list.

## WARNING - TO REDUCE THE RISK OF FIRE

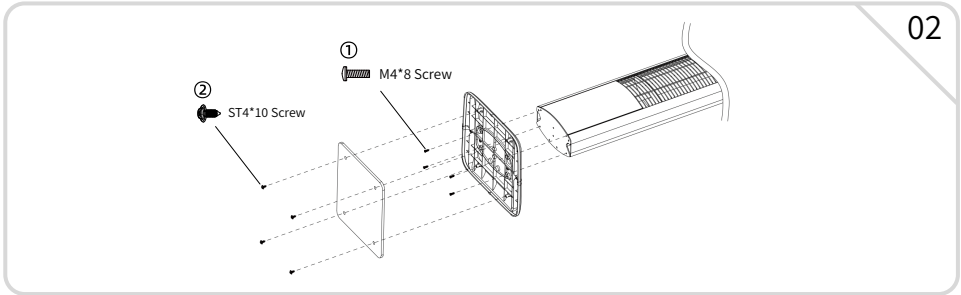
**Important:** Keep the supply cord away from the body of the heater which will get hot during use.

1. This heater should be installed by a competent person, i.e. a qualified electrician.
2. Always disconnected the heater from the electricity supply and allow it to cool before installation.
3. If the heater is to be used outside, a weatherproof outlet is recommended.
4. Fasten the heater securely on the baseplate using the screws supplied.
5. The distance from the front side of the heater to materials such as wood, carton, cloth etc., must be minimum 1m / 39.4”.

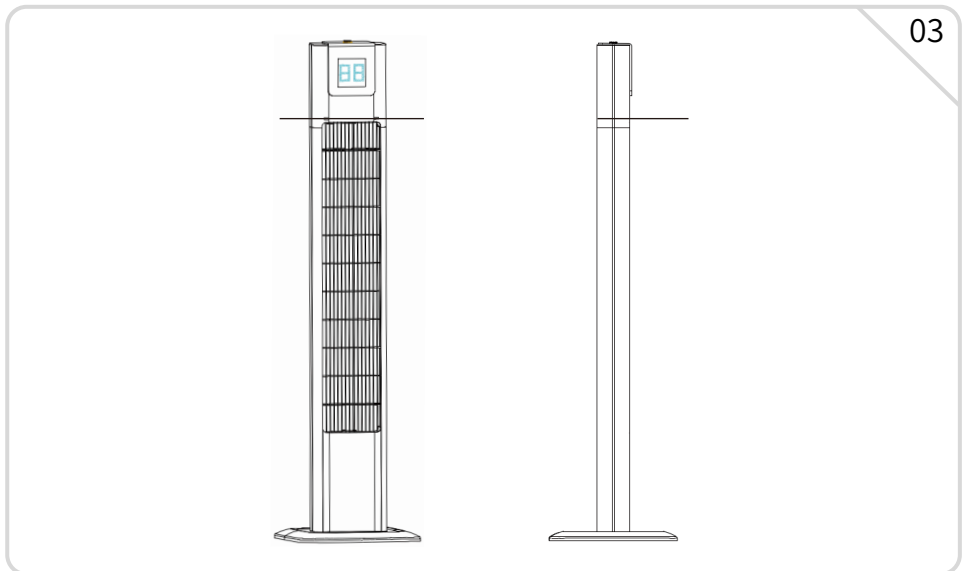
## INSTALLATION STEPS



1. Before plugging in, fasten the protective bracket:  
Take out 3 screws from the upper section of the heater as illustrated.  
Then, attach the bracket and fasten it with the screws you just removed.



2. Fasten the baseplate to the bottom of the heater, and subsequently secure the counterweight to the baseplate with screws provided.

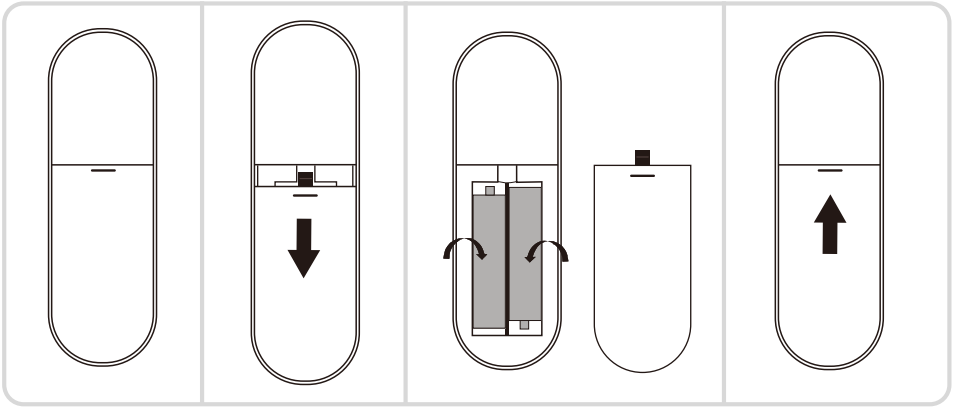


3. Complete.

# 04 OPERATION

## Install the Battery (Not Provided)

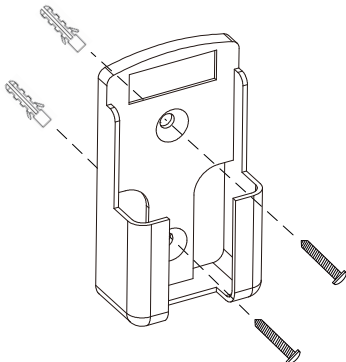
1. Slide to open the battery cover at the back.
2. Install 2 x AAA Alkaline batteries (not provided) into the remote control.
3. Close the cover.



## Install the Remote Control Holder (optional)

You can install the remote control holder (provided) for convenience.

1. Mark the 2 screw holes on the wall with pencil.
2. Drill 2 holes on the wall and tap plastic anchors inside the wall.
3. Use screws to fasten the holder.



ST4\*30 Screw



Ø6\*30 Plastic Anchor


## Getting Started


Before setting the heater:

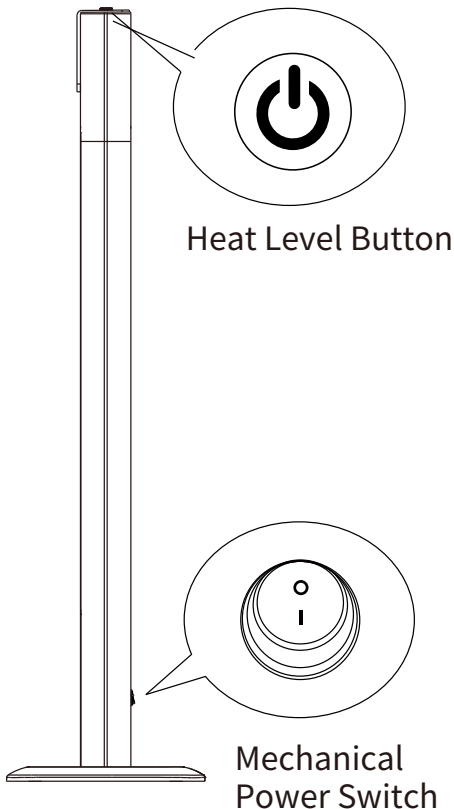
Plug in the power and turn on the mechanical power switch at the back of the heater.

Set the heat level:

Press the heat level button at the top of the heater to set a heat level from P1 to P12.

 P1 - lowest heat level

 P12 - highest heat level



If your space is roomy and the temperature is low, we recommend acquiring multiple units.

A tip-over safety function ensures the heater stops working when it is knocked down.

## Remote Control

Before using the remote control, make sure the mechanical power switch is turned ON.



Press the Power button to switch ON/OFF the heater.



When the heater is on, use ▲ and ▼ to set a heating level from P1 to P12.



P1 - lowest heat level



P12 - highest heat level

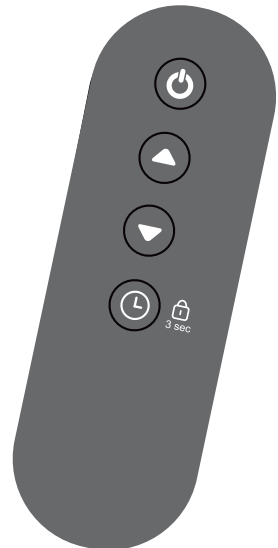


1. When the heater is on, press this button to enter the timer setting.
2. Use ▲ and ▼ to set a timer from 0H to 9H. (0~9 hours)
3. After setting, the heater will display the heat level and set time in turn.
4. When the set time elapsed, the heat will be automatically turned off.
5. To cancel the timer, set the timer to 0H.



Press the hold the ☹ button for 3 seconds to activate/deactivate the Child Lock function.  
When activated, all buttons will be locked except for Child Lock.

The memory function saves the previous heat level (if it keeps plugged).



# 05 CLEANING AND MAINTENANCE

## Cautions

1. Always disconnect the heater from the electricity supply and allow it to cool before attempting to work on it.
2. If the heater has collected dust or dirt inside the unit or around the heating element, have to unit cleaned by a qualified service agent. Do not operate the heater in this condition.
3. The only maintenance required is cleaning of the external surfaces of the heater.
4. Do not touch the heating element with bare fingers, as residue from your hand could affect the life of the lamp. If it is accidentally touched, remove the finger marks with a soft cloth moistened with mentholated spirit or alcohol.
5. Do not attempt to repair or adjust any electrical or mechanical functions on this heater.
6. The heater does not contain any user-serviceable parts. In case of a malfunction or damage, please stop using the product right away.
7. Damaged supply cords to be replaced by the manufacturer, service agent or similarly qualified person in order to avoid hazard.

## Cleaning

Regular and careful cleaning helps your infrared heater operate efficiently for many trouble free years. To clean your heater follow steps below:

1. Unplug the power cord for your safety before cleaning your appliance.
2. Make sure the heater is cool before continuing.
3. To keep the heater clean, the outer shell may be cleaned with a soft, damp cloth. You may use a mild detergent if necessary. After cleaning, dry the unit with a soft cloth. (CAUTION: DO NOT let liquids enter the heater).
4. DO NOT use alcohol, gasoline, abrasive powders, furniture polish or rough brushes to clean the heater. This may cause damage or deterioration to the surface of the heater.
5. DO NOT immerse the heater in water
6. Wait until the heater is completely dry before use.
7. Store the heater in a cool, dry location when not in use to prevent dust and dirt build up. Use packaging carton to store.

## Maintenance

Careful and regular maintenance of your heater considering our instructions assume great importance so as to attain a long efficient operation of your appliance.

1. Check the filthiness of the Reflector and IR-Filament at least once a month.
2. The number of checks may be increased considering the amount of the dust in the environment.
3. Check the deformation of the Reflector, Wire and Frame visually while cleaning the appliance. In case of deformation, consult to your technical service.
4. Check the Power Cord and Plug visually while cleaning the appliance. In case of deformation, consult to your technical service.

# 06 TROUBLESHOOTING

PROBLEM	SOLUTION
Heater doesn't work	<ol style="list-style-type: none"> <li>1. Check if electricity to the main fuse is working.</li> <li>2. Check whether the power cord is connected correctly. Incorrect power cord connection will lead to incorrect input voltage.</li> <li>3. Check if the mechanical power switch has been turned on.</li> </ol>
The heater cannot be turned off or adjusted via the remote control	<ol style="list-style-type: none"> <li>1. When the Child Lock is activated, the heater emits two beeps when using the remote control. Hold down the Child Lock button for 3 seconds to cancel it.</li> <li>2. The remote control's battery has run out and requires replacement.</li> </ol>

# 07 TECHNICAL SPECIFICATION

Model	TSH-TP2
Voltage	120V~ 60Hz
Power	1500W
Chain Length	600 mm / 23.62 inch
Product Size	263x243x1075 mm 10.35x9.57x42.32 inch

