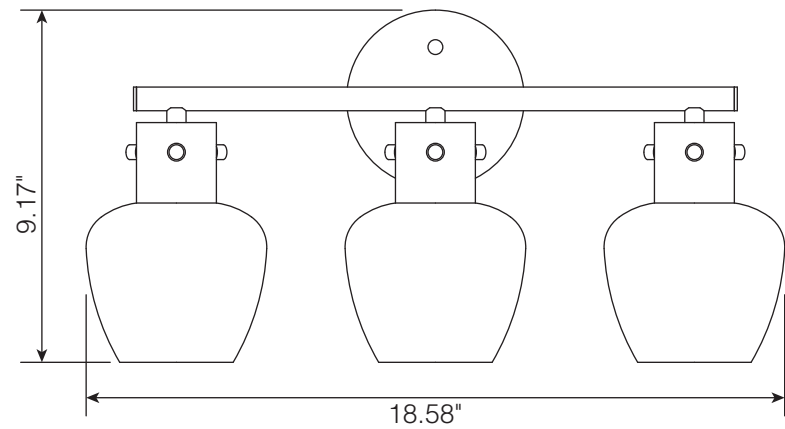


142.50 mm

VANITY LIGHT

Please completely comply with this instructions and notes, to ensure that the product is operated in a safe condition.



IMPORTANT SAFETY INFORMATION

WARNING: RISK OF SHOCK

1. Home electric current can cause painful shock or serious injury unless handled properly. For your safety, always remember to:

- A Turn off the power Supply at the fuse or circuit breaker box before you install the fixture.
- B Ground the fixture to avoid potential electric shocks and to ensure reliable starting.
- C Double-check all connections to be sure they are tight and correct.
- D Wear rubber soled shoes and work on a sturdy wooden ladder.

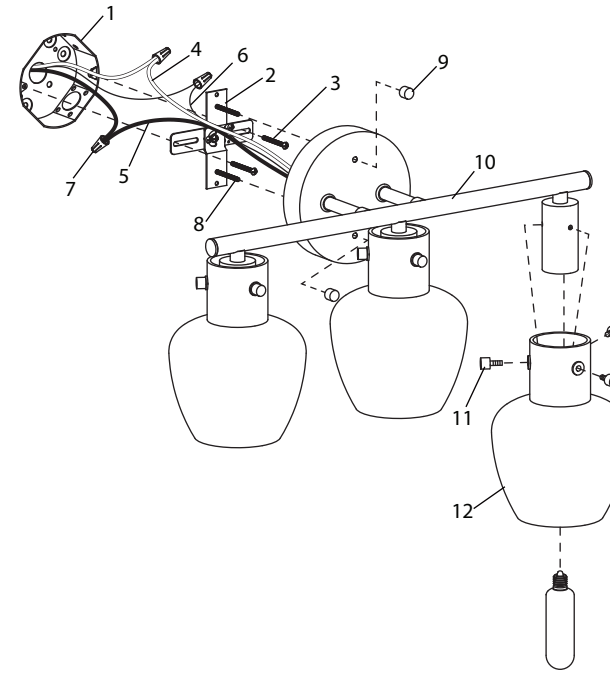
2. This fixture is designed for use in a circuit protected by a fuse or circuit breaker. It is also designed to be installed in accordance with local electrical codes. If you are unsure about your wiring, consult a qualified electrician or local electrical inspector, and check your local electrical code.

WARNING: RISK OF CUTS

- 3. Some metal parts in the fixture may have sharp edges. To prevent cuts and scrapes, wear gloves when handling the parts.
- 4. Account for small parts and destroy packing material, as these may be hazardous to children.

210.00 mm

VANITY LIGHT



- 1. Outlet Box (not included)
- 2. Cross Bar
- 3. Outlet Box Screws (2 pieces)
- 4. White Fixture Wire
- 5. Black Fixture Wire
- 6. Fixture Ground Wire
- 7. Wire Nuts (3 pieces)
- 8. Fixture Screws (2 pieces)
- 9. Ball Nuts (2 pieces)
- 10. Fixture
- 11. Decorative Screws (9 pieces)
- 12. Glass Shade (3 pieces)

Installing Vanity Light

1. Turn power off at circuit breaker or remove the correct fuse.
2. Gently take all parts out of the package, lay them on a smooth surface, unscrew the Ball Nuts (9) from the Fixture Screws (8). Attach the Cross Bar (2) to the Outlet Box (1) using Outlet Box Screws (3).
3. Using Wire Nuts (7) provided: Connect White Fixture Wire(s) (4) to neutral supply wire. Connect Black Fixture Wire(s) (5) to power supply wire. Connect Fixture Ground Wire (6) from fixture to green or bare copper ground (house) wire.
4. Attach the Fixture (10) to the Cross Bar (2) through screw holes as shown, and secure it with Ball Nuts (9).
5. Attach the glass shade (12) onto fixture (10) using decorative screws (11) as show.
6. Install light bulbs. Use 60 W (max.) bulbs (sold separately).
7. Turn power on at circuit breaker or replace the fuse.

WARNING



This product may represent a possible shock or re hazard if improperly installed or attached in any way. Product should be installed in accordance with the owners manual, current electrical codes and/or the current National Electric Code (NEC).

RISK OF ELECTRIC SHOCK: TURN OFF THE MAIN POWER AT THE CIRCUIT BREAKER BEFORE INSTALLING.