



ASSEMBLY INSTRUCTION
LSF LOVE SEAT W/ PULL OUT BED & ADJUSTABLE HEADRESTS
RSF CHAISE W/ ADJUSTABLE HEADRESTS
STORAGE OTTOMAN



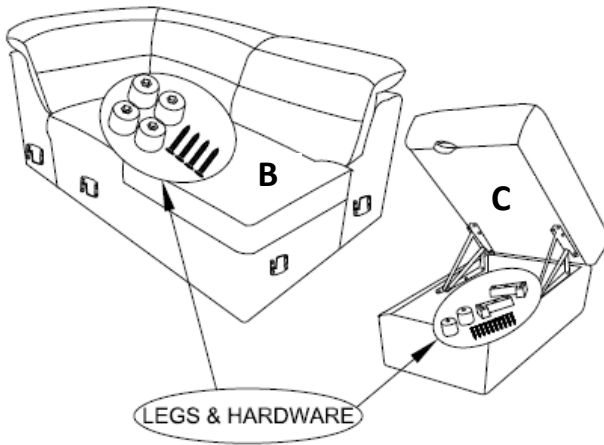
Legs and hardware for RSF are stored in RSF chaise, please take out for assembly.
Legs and hardware for Ottoman are stored in Ottoman, please take out for assembly.

NOTE: Do not use power tools for assembly. Power tools increase the risk of over tightening which lead to splitting or cracking the wood.

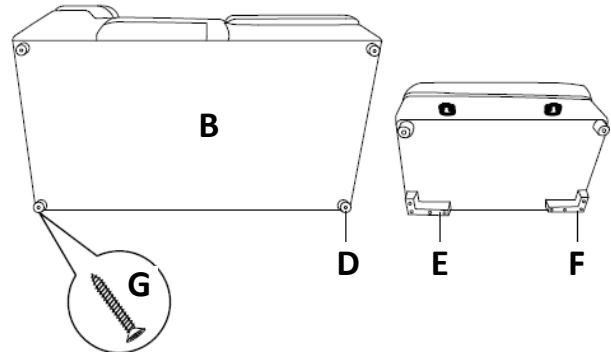
COMPONENT LIST

NO.	DRAWING	QTY	DESCRIPTION
A		1	LSF LOVE SEAT (LEGS ARE PRE-ASSEMBLED)
B		1	RSF CHAISE
C		1	OTTOMAN
D		6	RSF CHAISE & OTTOMAN LEGS
E		1	OTTOMAN LEG E
F		1	OTTOMAN LEG F
G		14	SCREW M5*70MM

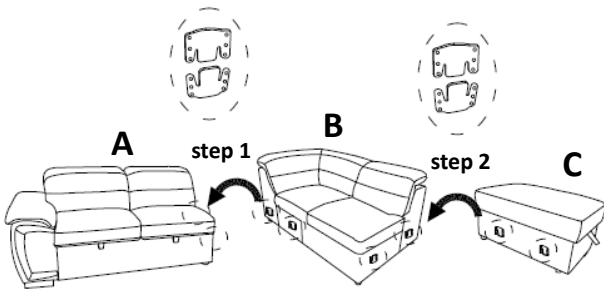
STEP 1: Take out legs and hardware for assembly.



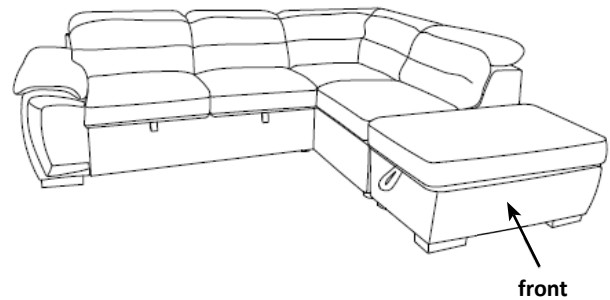
STEP 2: Align the legs on the pre-drilled holes, insert screws and tighten with screwdriver (not provided).



STEP 3: Align 2-seater and chaise as shown in drawing, lift up on side of connector to lock in.



STEP 4: Sofa assembly is completed.



CARE INSTRUCTION FOR 100% POLYESTER FURNITURE

In order to maintain the original appearance of your 100% Polyester furniture, please follow below simple care procedures:

- Avoid exposing furniture directly to sunlight or heating and air conditioning outlets. Exposure to sunlight or heating and air conditioning outlets will fade / damage 100% Polyester.
- Vacuum or wipe with a soft cloth to remove dust.
- Clean 100% Polyester with professional cleanser.



For items used on wooden floor, hard surfaces or carpets, it is recommended to install protective pads under all legs and supports to avoid / prevent from damages / scratches discoloration.