

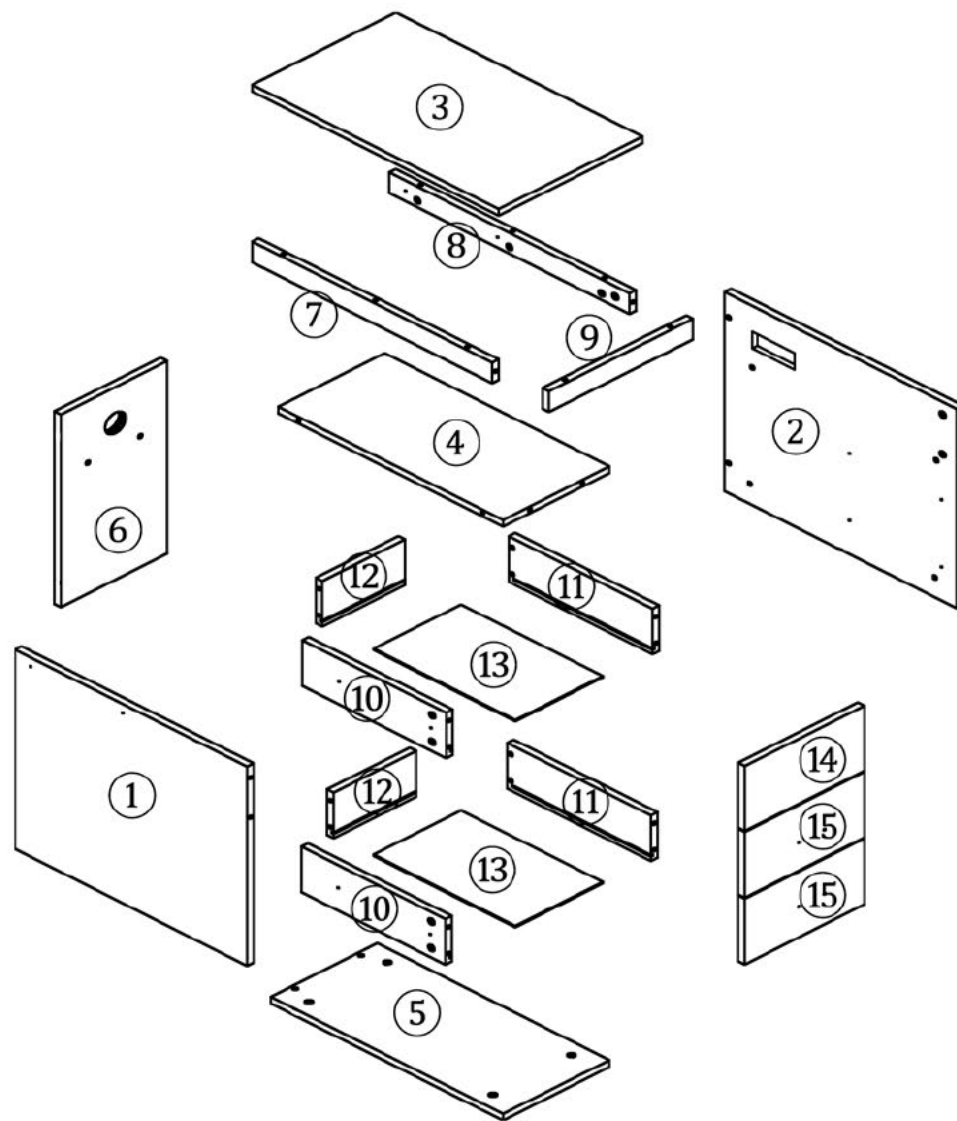
ASSEMBLY INSTRUCTION



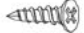








- It would be best if you set aside and organize all pieces & corresponding "nuts/bolts" first .
- Please follow the instructions to assemble the items correctly.
- Could be assembled by one person ,but would recommend two.
- Please ensure the safety of the glass when assembling.
- Do not make the screws too loose or too tight.
- As shown in the figure, Insert the screw into the hole.
The arrow in the picture, Then rotate 90° or 180° clockwise.
- The remaining parts are spare parts.

installation instruction videos.

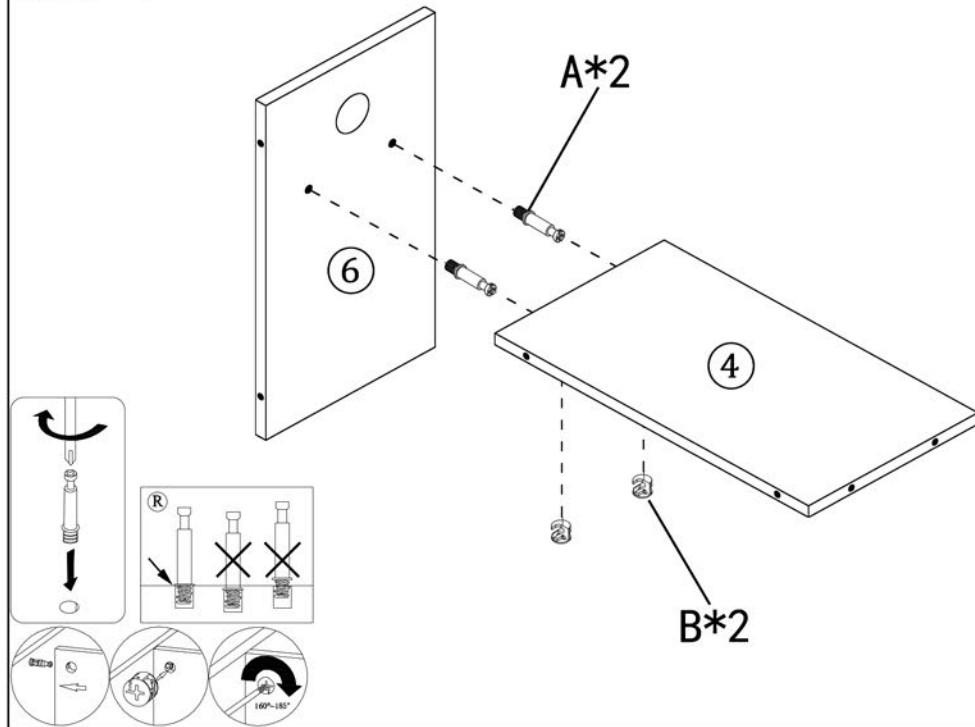
SAFETY INFORMATION

- The accessory bag contains some small accessories , which should be kept away from children.
- Kids are not allowed to climb or play with the product for safety reasons .



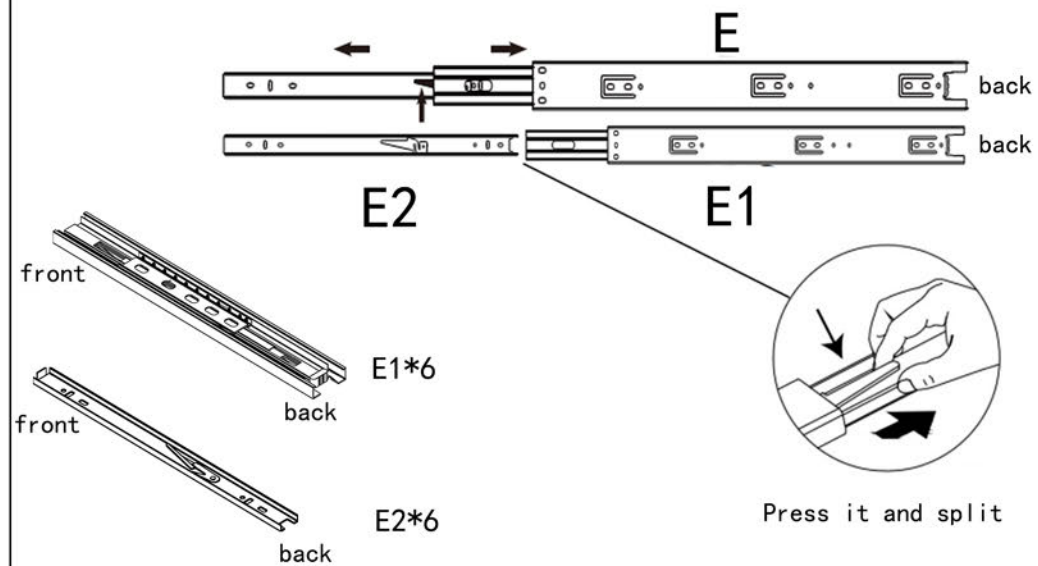
 A*48	 B*48	 3.5*16 C*42	 D*4	 E*6	 F*1	 G*4
 H*2	 53mm I*1	 L*1	 LED			

STEP 1



STEP 2

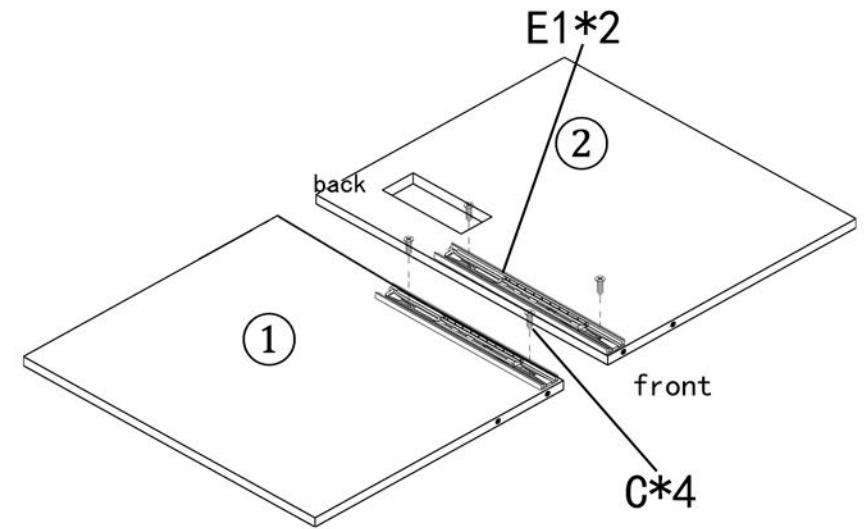
Warm Reminder:
Before installing the drawer rail,
you need to separate the E1 and E2 first.



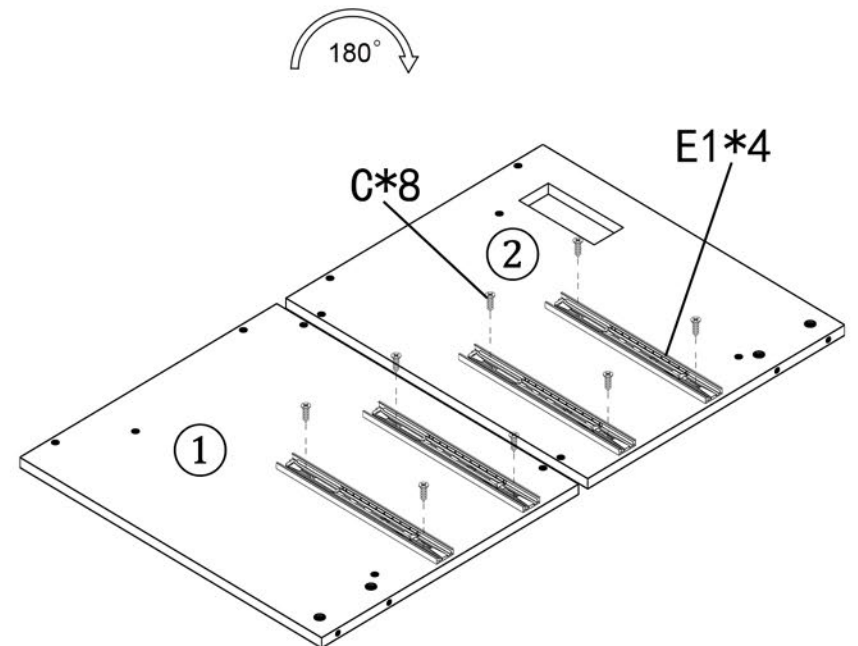
STEP 3



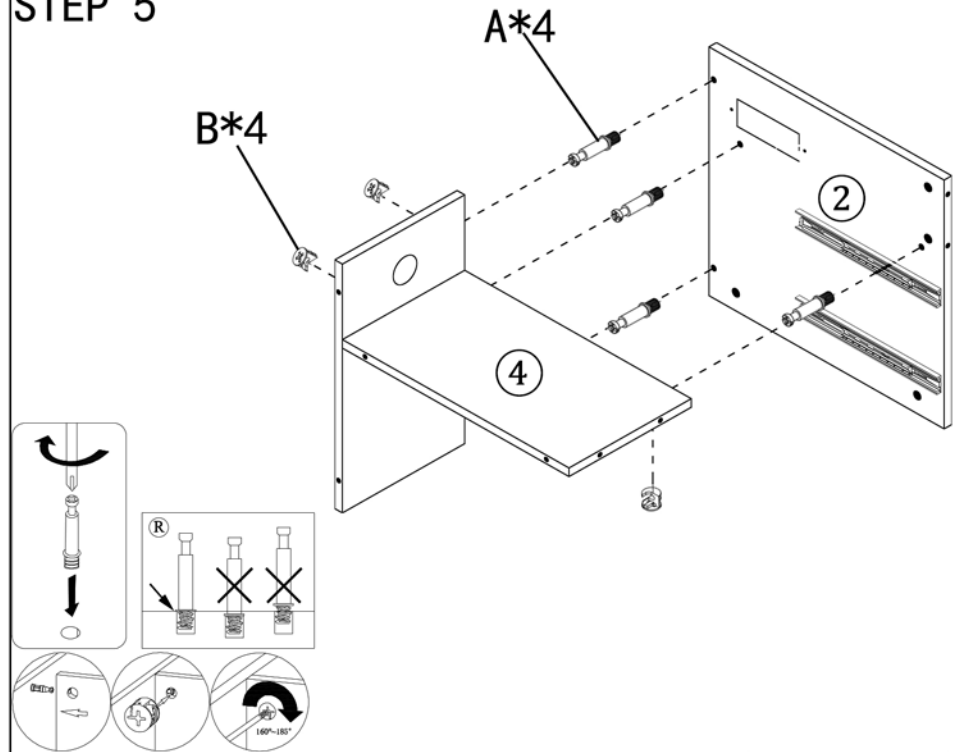
The first screw hole should corresponded with the board location hole



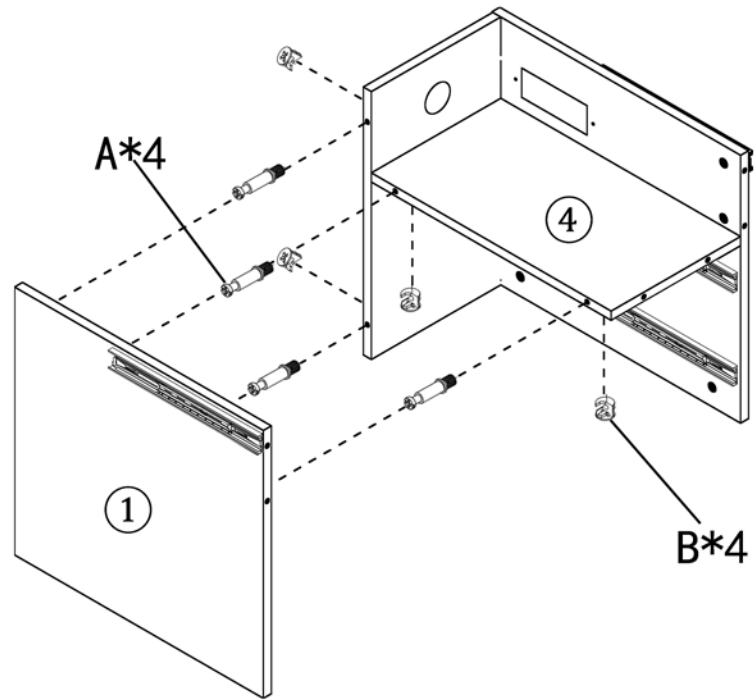
STEP 4



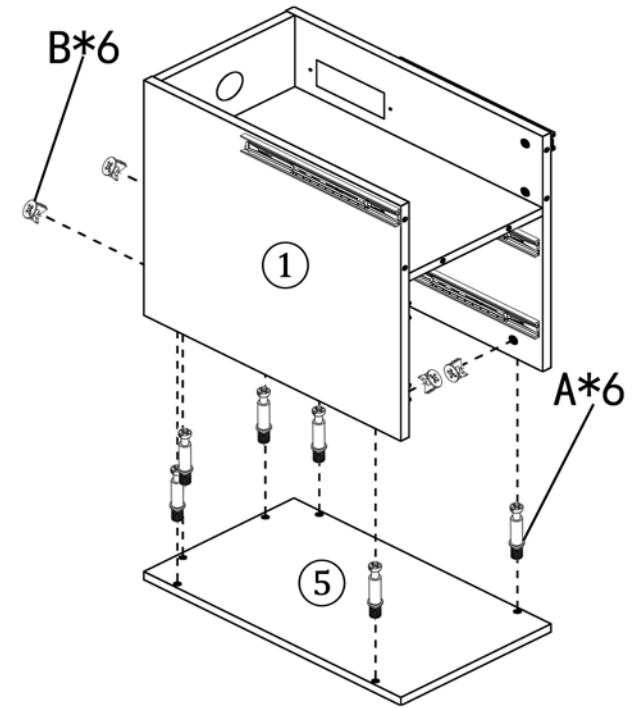
STEP 5



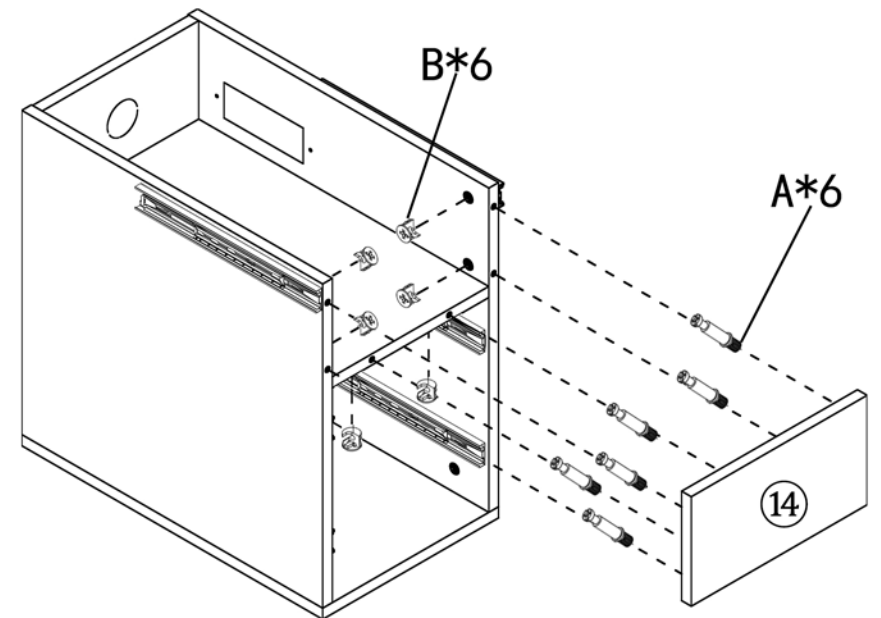
STEP 6



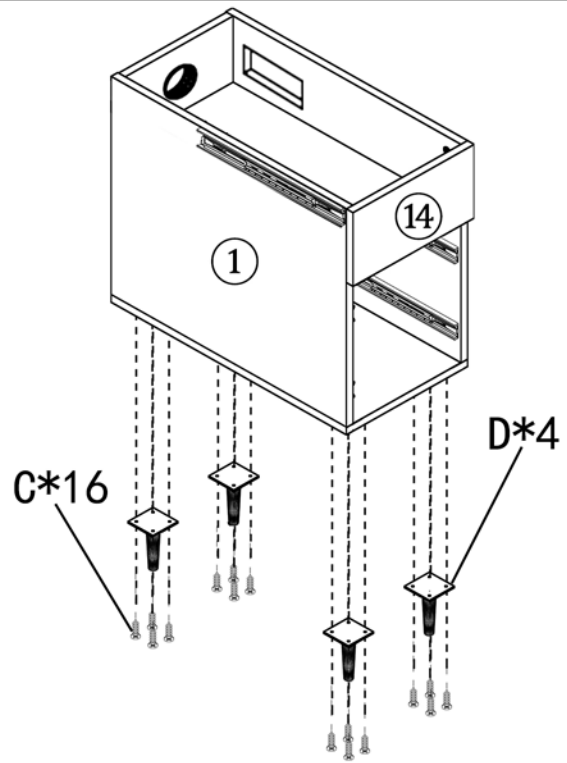
STEP 7



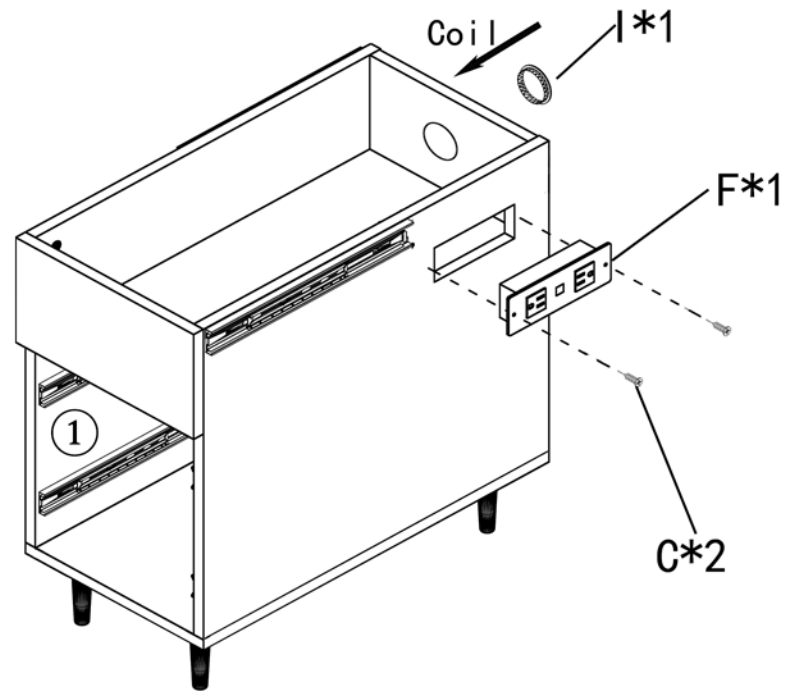
STEP 8



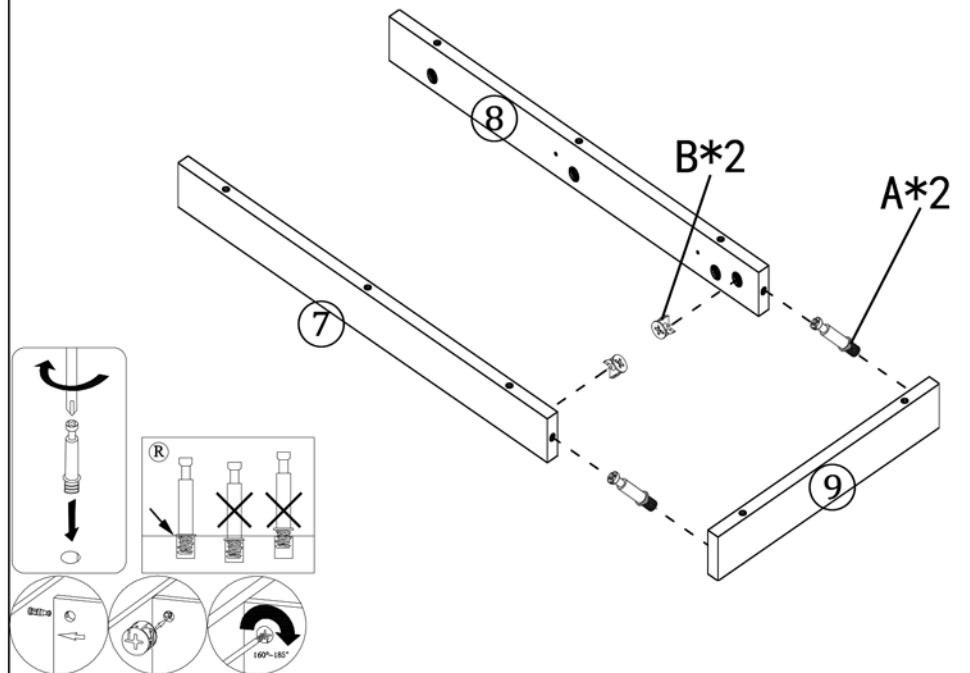
STEP 9



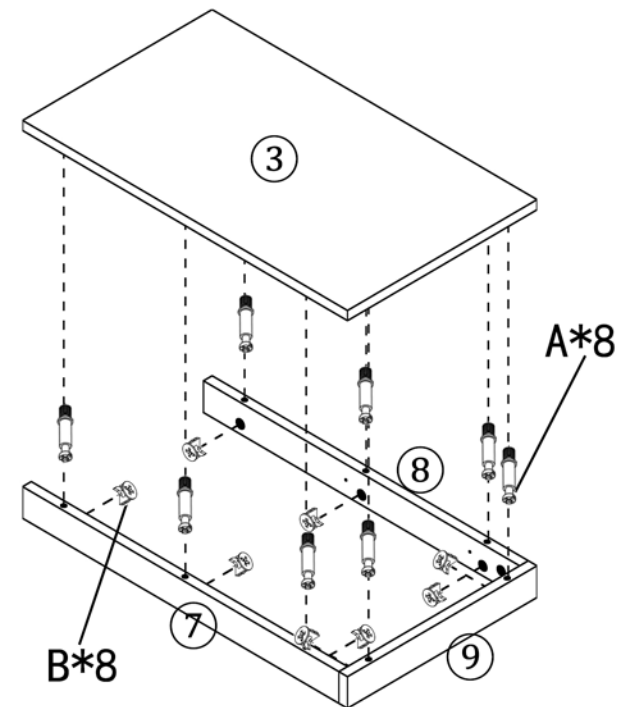
STEP 10



STEP 11



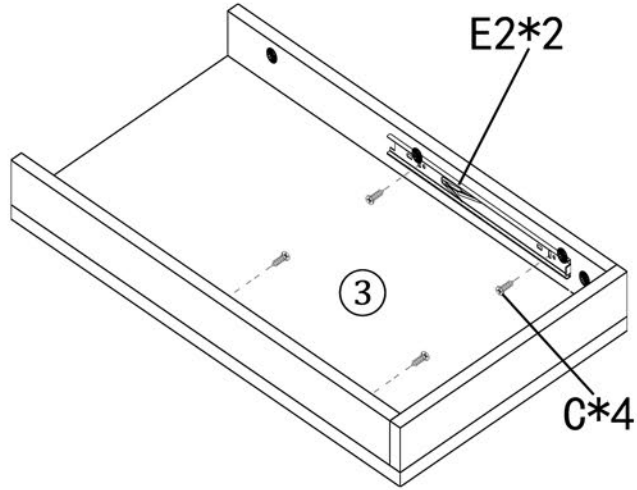
STEP 12



STEP 13

 back

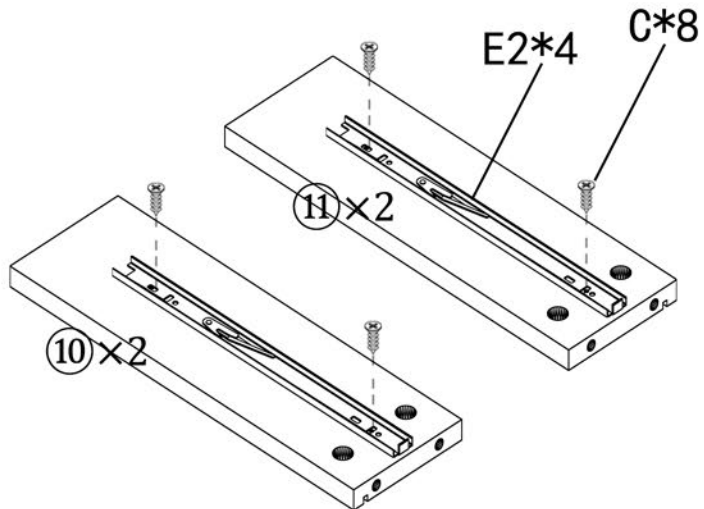
The first screw hole should correspond with the board location hole



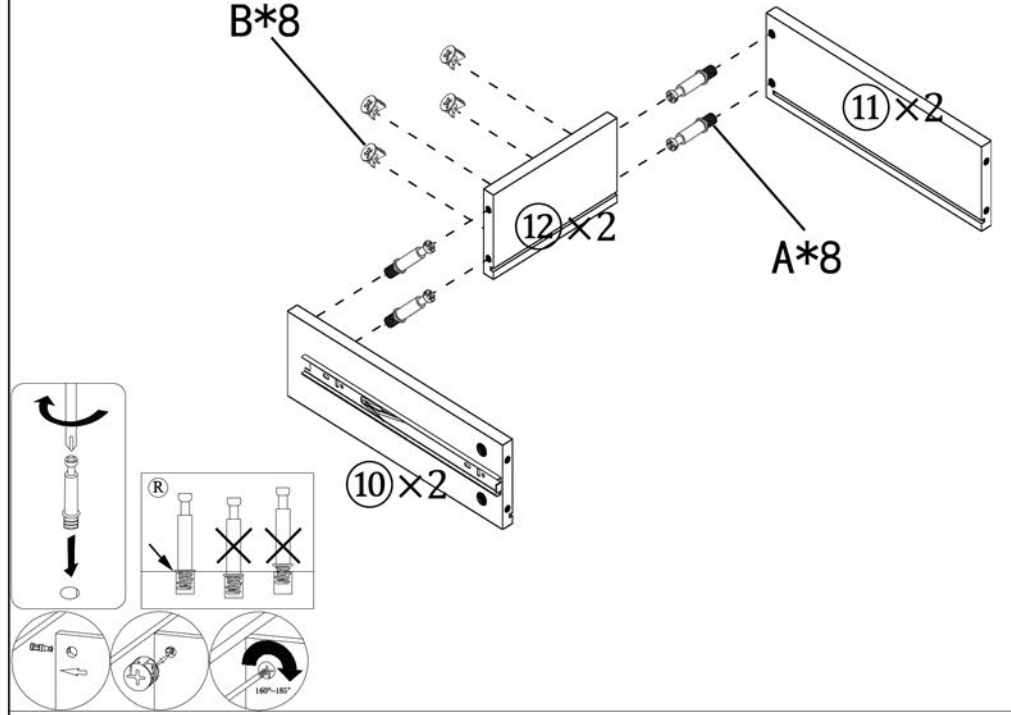
STEP 14

 back

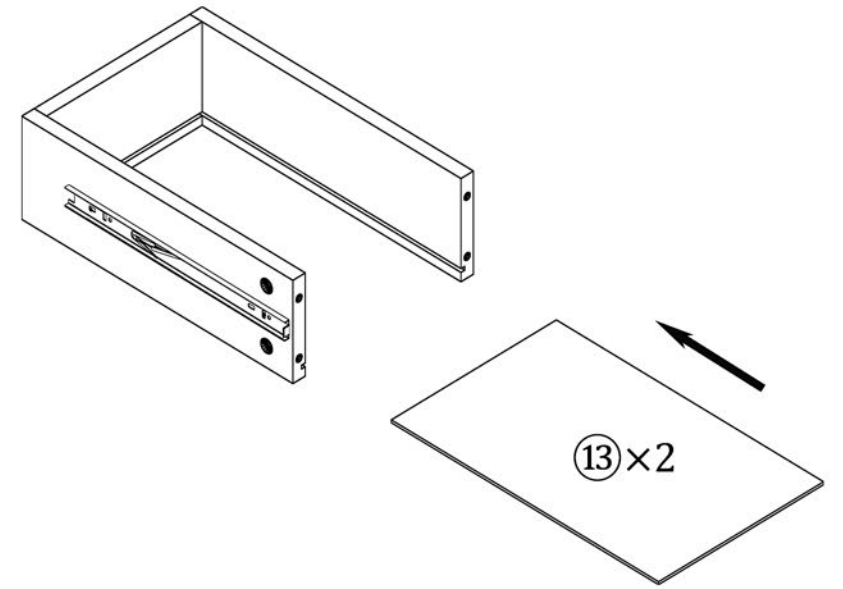
The first screw hole should correspond with the board location hole



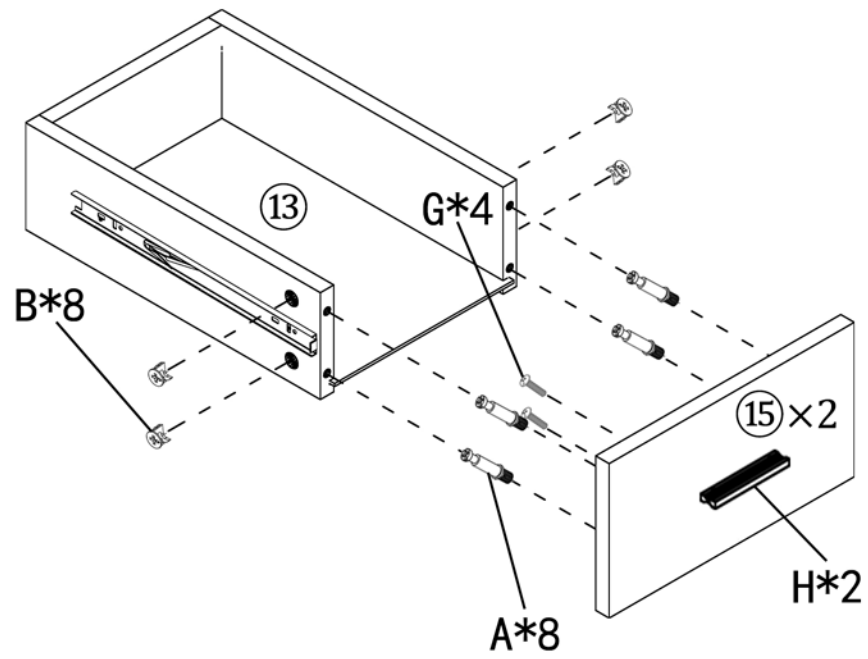
STEP 15



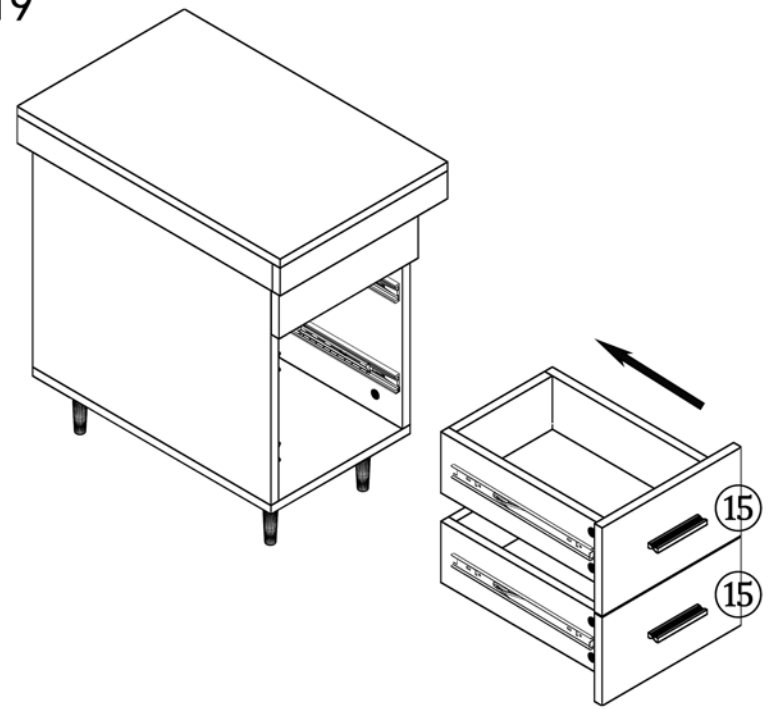
STEP 16



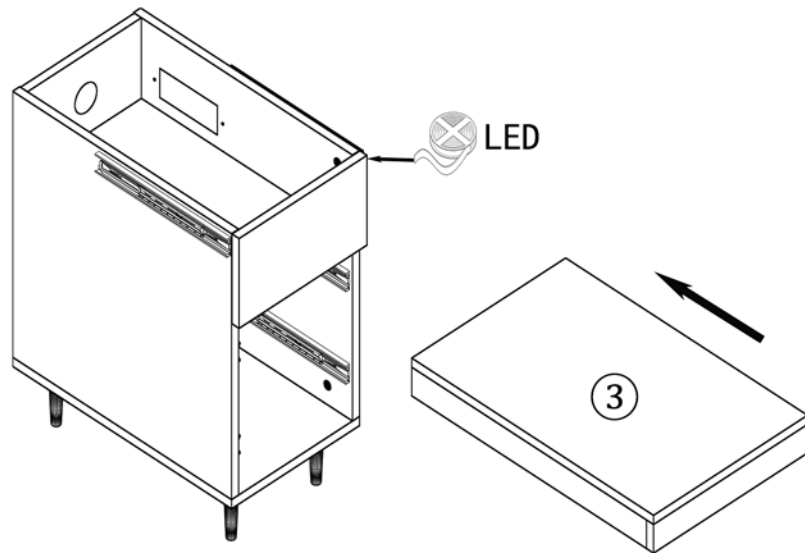
STEP 17



STEP 19



STEP 18



STEP 20

