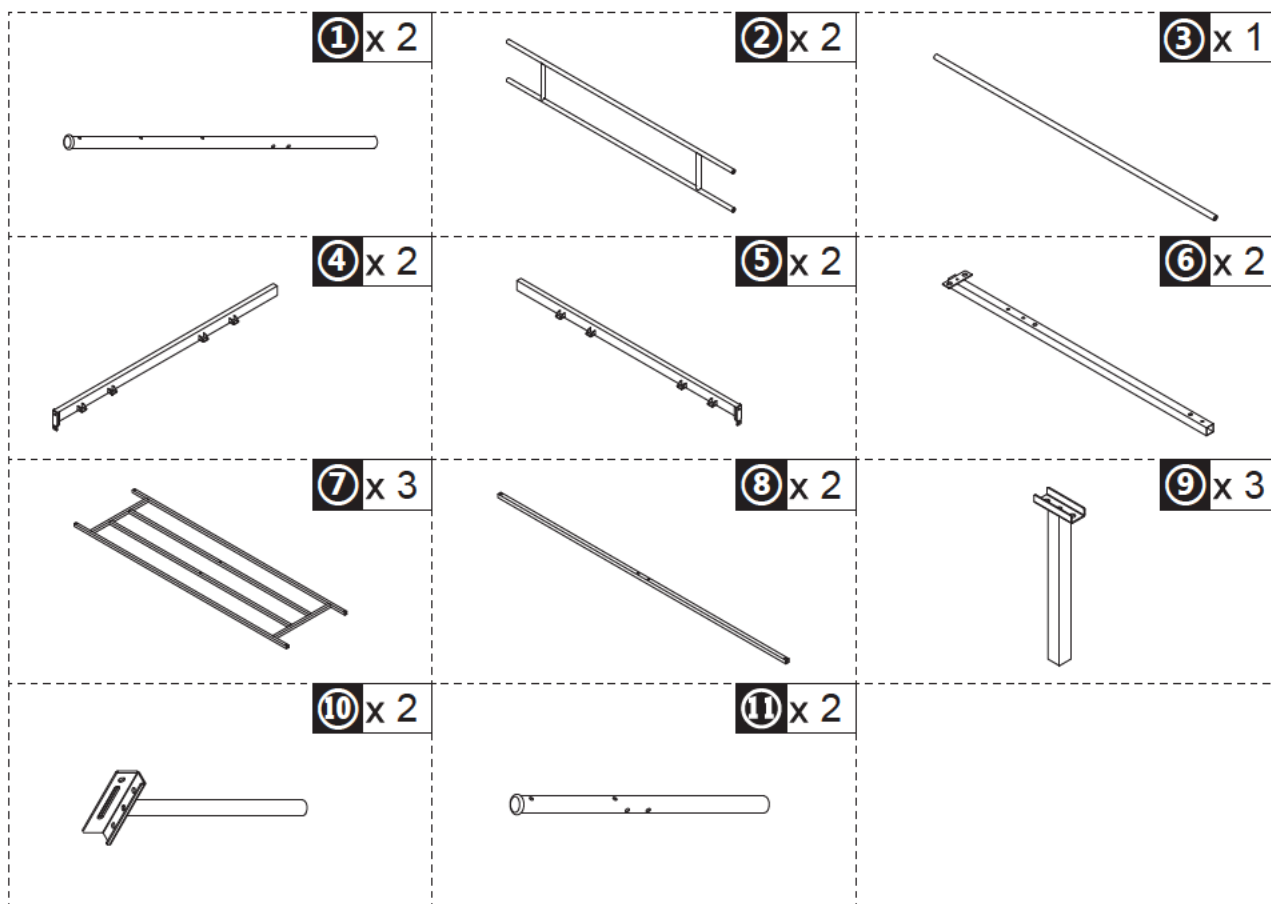


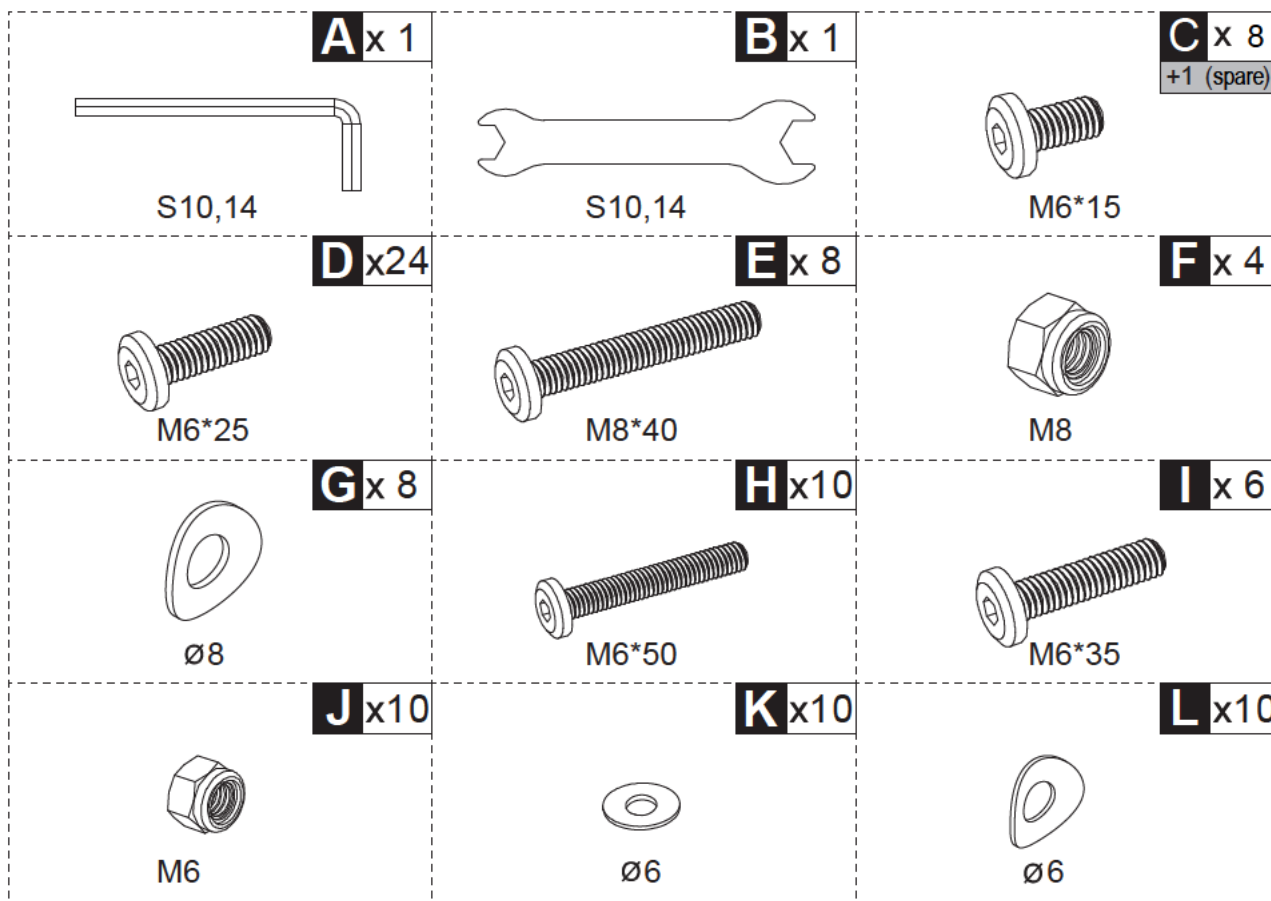
IMPORTANT, RETAIN FOR FUTURE REFERENCE: READ CAREFULLY

ASSEMBLY & INSTRUCTION MANUAL

PARTS



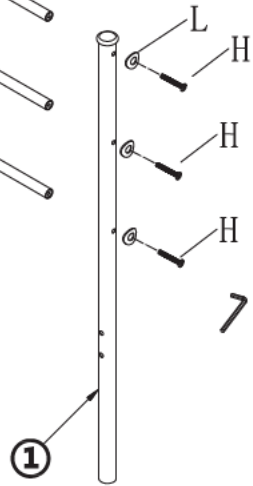
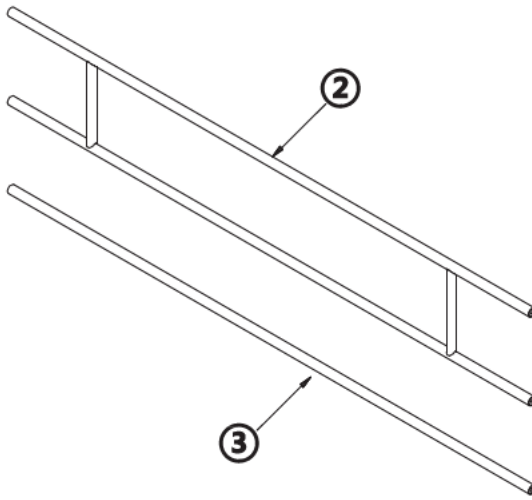
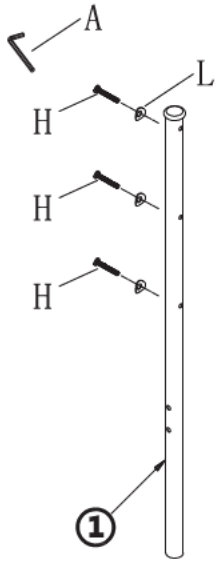
HARDWARE



H x 6



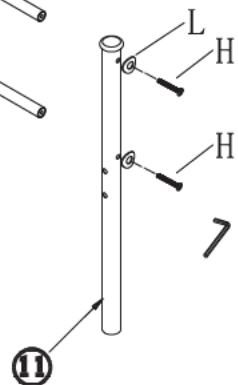
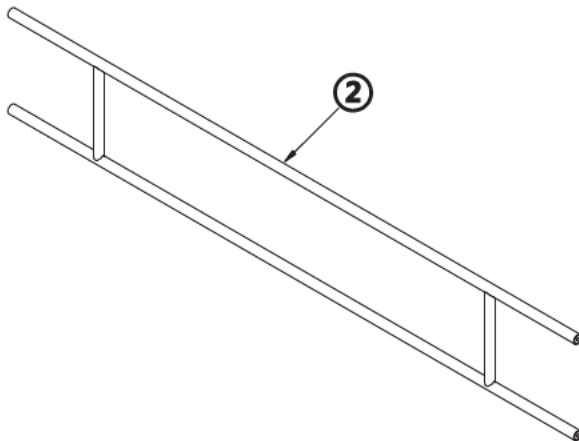
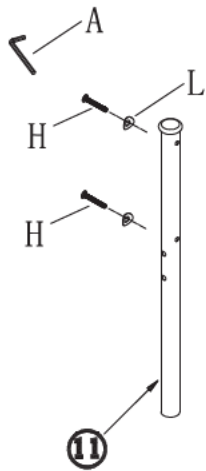
L x 6



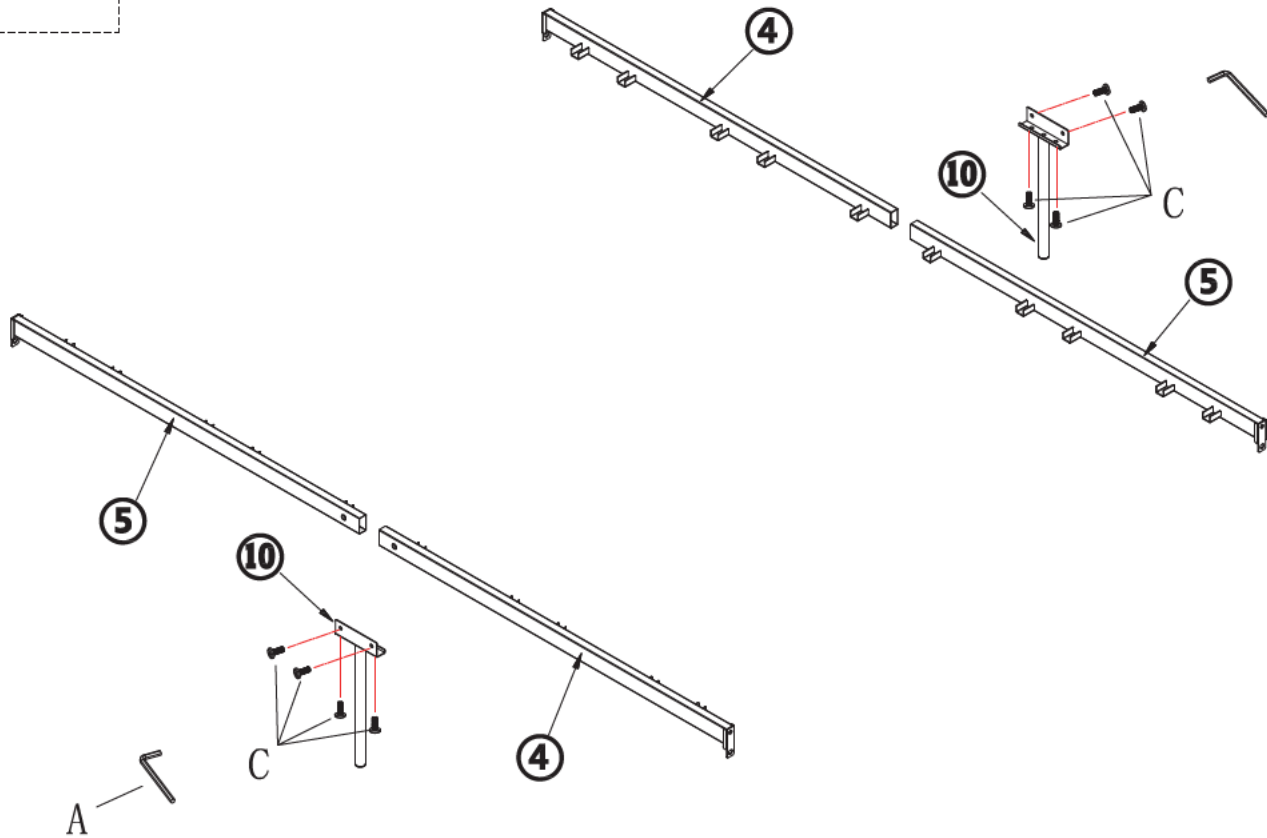
H x 4



L x 4



C x 8



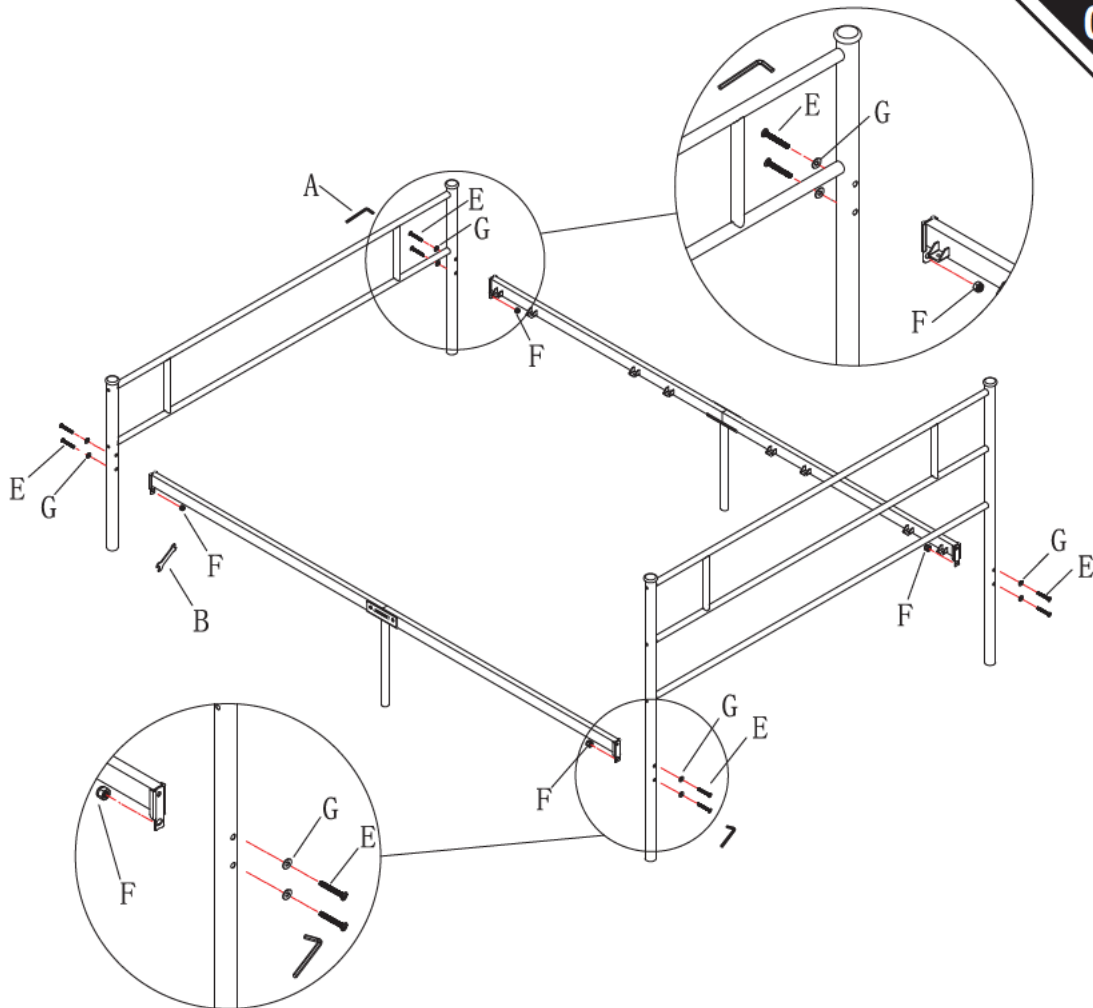
E x 8



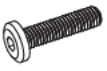
F x 4



G x 8



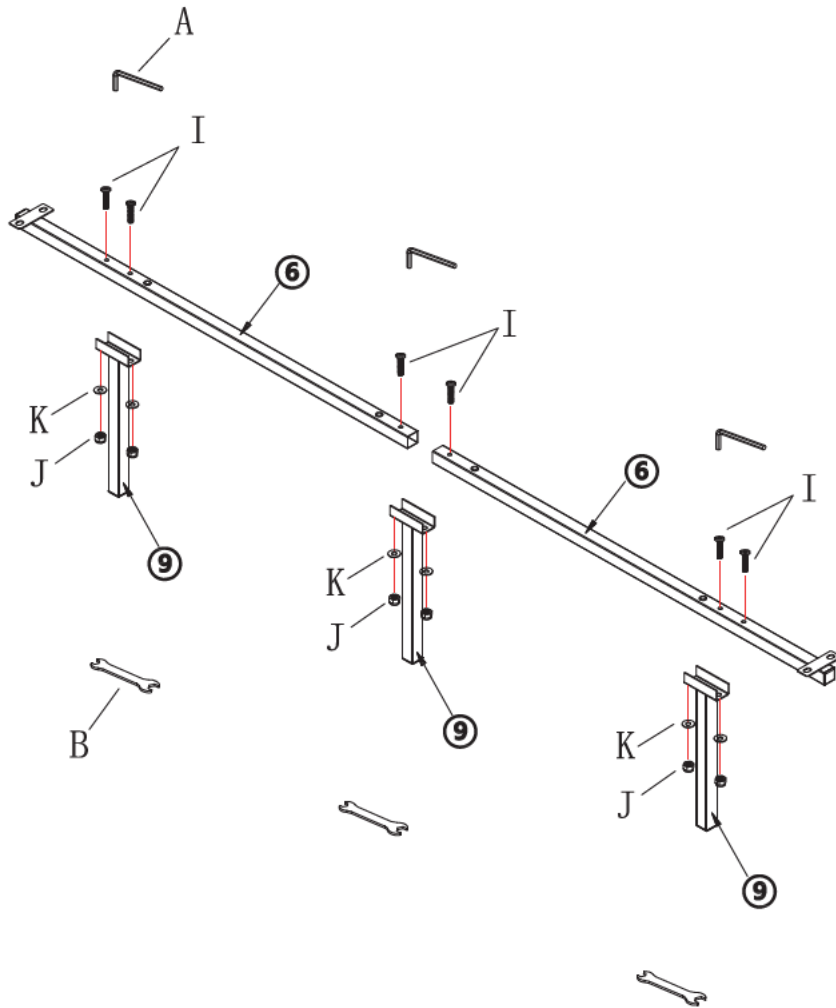
I x 6



J x 6



K x 6



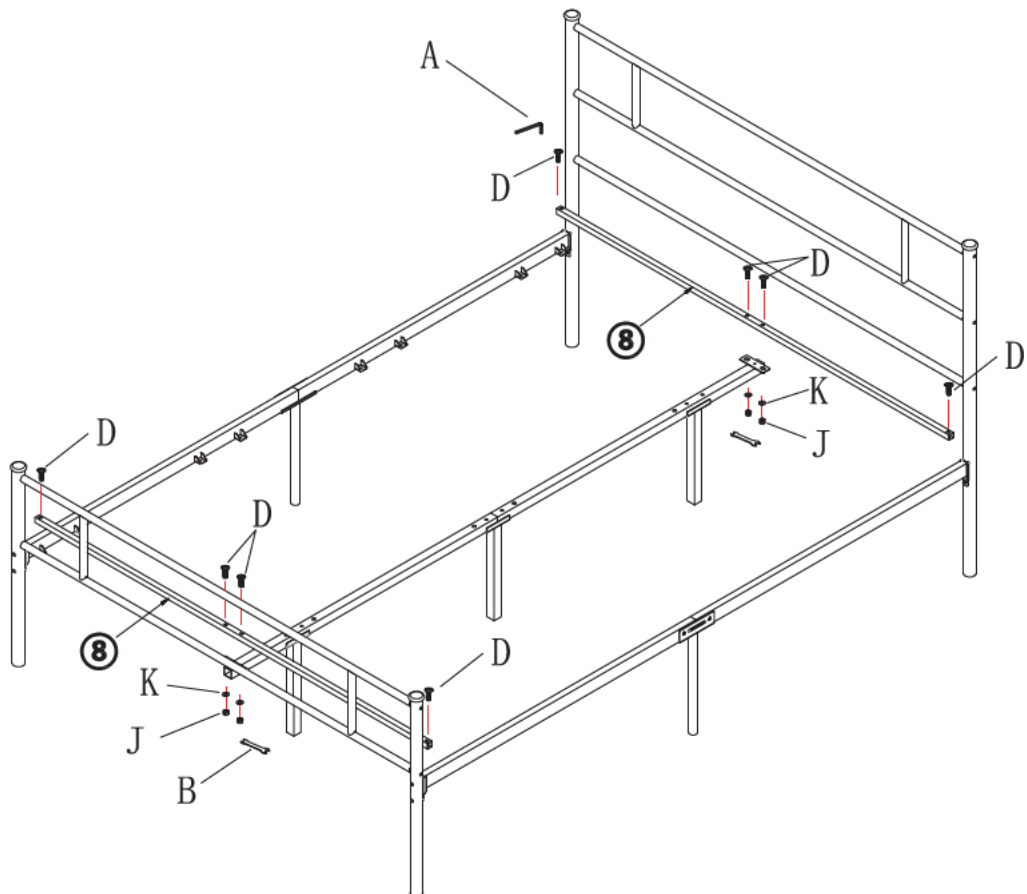
D x 8



J x 4



K x 4



D x16

