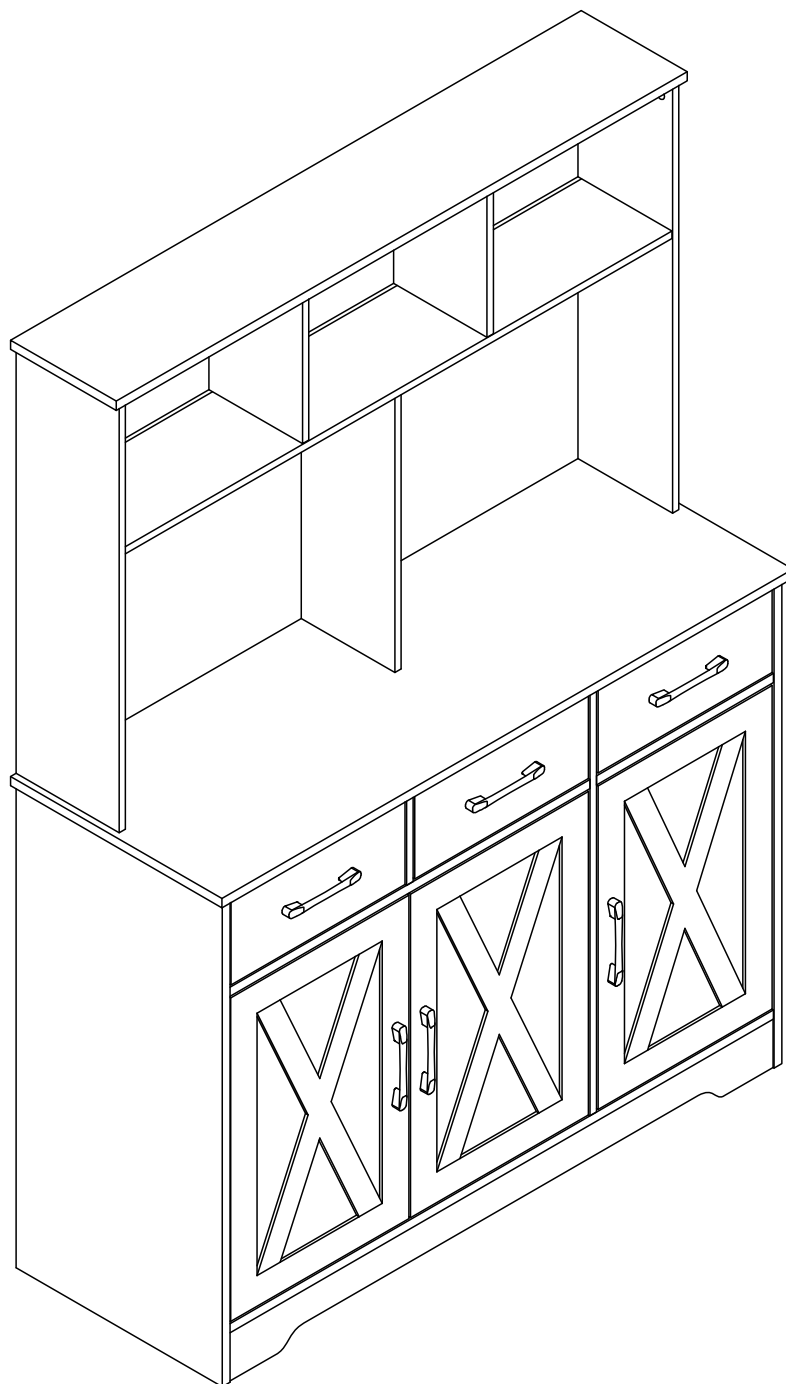


Instruction Manual



EN

Thank you for purchase on our products. Please contact us if you have difficulty with assembly or need replacement parts. Our customer service is here to assist you. Please attach your User Name or Order ID so that we can assist you better.

WARNING

Serious or fatal injury may occur from unexpected assembly or use.

1. During the assembly process, keep all parts away from babies or children.
2. Always securely fix this product to the wall. Make sure the wall area to be drilled is free from hidden electrical wires, water and gas pipes.
3. Use of tip-over restraints may only reduce, but not eliminate the risk of tip-over.
4. Unless specially designed to accommodate, do not set heavy objects on top of this product.
5. Place the heaviest items on the lowest shelf.
6. Never allow children to climb or bang on drawers, doors or shelves.

DE

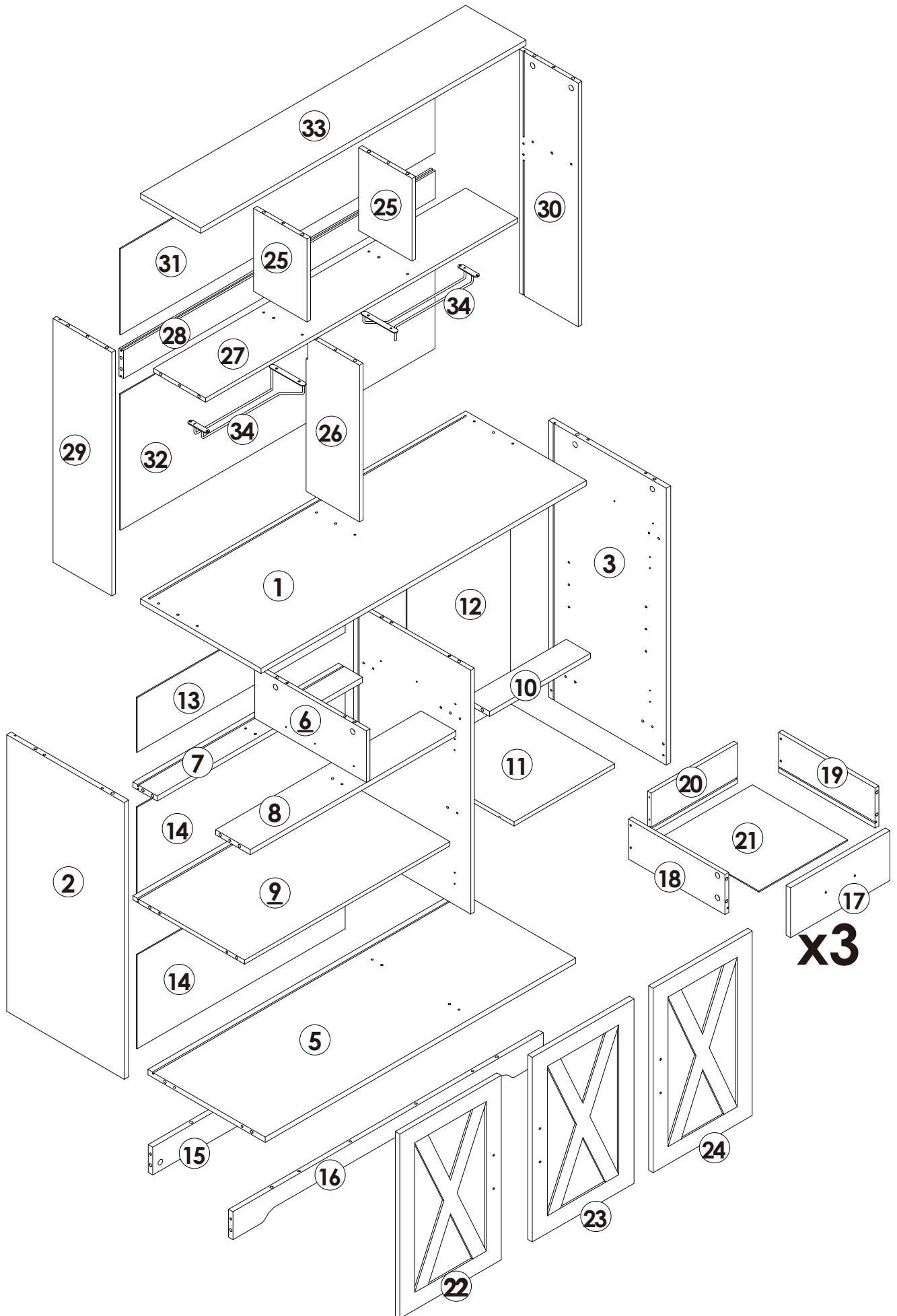
Vielen Dank für Ihren Kauf von uns Produkten. Bitte kontaktieren Sie uns, wenn Sie Probleme mit Montage haben oder Ersatzteile benötigen. Wir Kundenservice ist für Sie da. Bitte geben Sie Ihren Benutzernamen oder Ihre Bestellnummer an, damit wir Sie besser unterstützen können.

WARNUNG




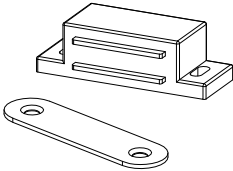
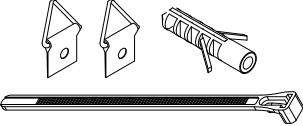
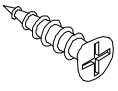
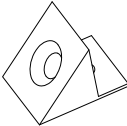
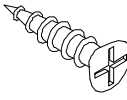
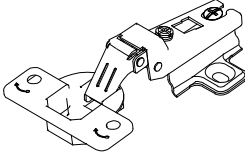
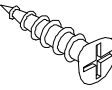

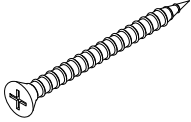
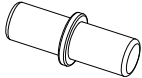
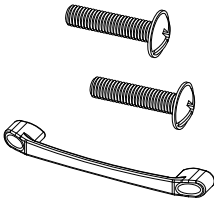
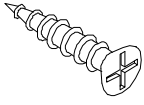
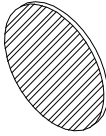
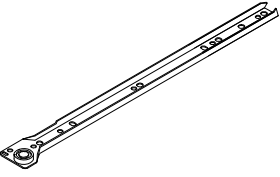
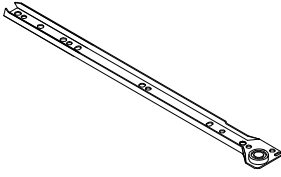
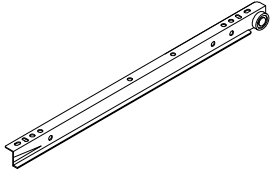
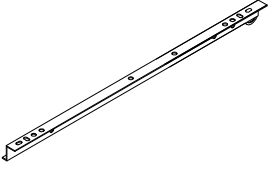
Bei unerwarteter Montage oder Verwendung können schwere oder tödliche Verletzung auftreten.

1. Legen Sie in den Montageprozess alle Teile weg von Babys oder Kindern.
2. Stellen Sie sicher, dass der gebohrte Wandbereich frei von verborgenen Stromkabeln, Wasser- und Gasleitungen ist, wenn Sie dieses Produkt an der Wand befestigen.
3. Die Verwendung von Kippsicherungen kann die Gefahr eines Kippens nur verringern, jedoch nicht beseitigen.
4. Setzen Sie bitte keine schweren Gegenstände auf dieses Produkt, es sei denn, dass das Produkt speziell für die Unterbringung konzipiert wird.
5. Legen Sie bitte die schwersten Gegenstände auf das unterste Regal.
6. Erlauben Sie nie Kindern, auf Schubladen, Türen oder Regale zu klettern oder zu knallen.

Parts List(EN) / Teile Liste(DE)

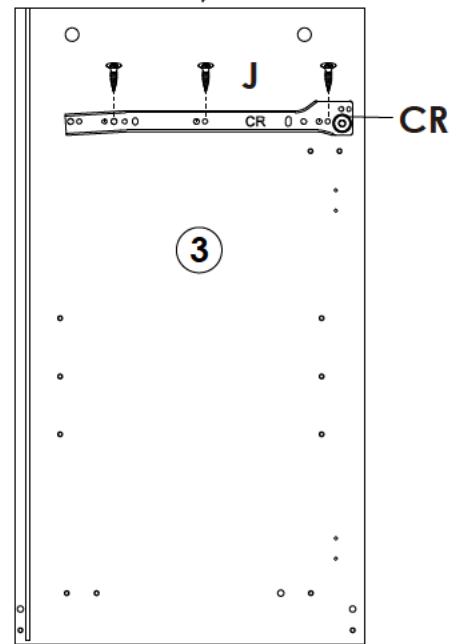
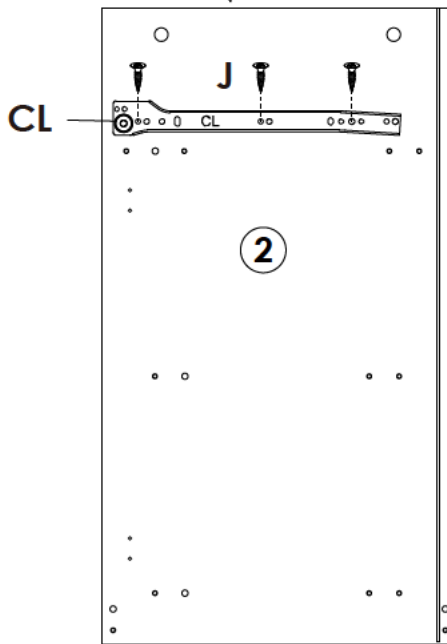
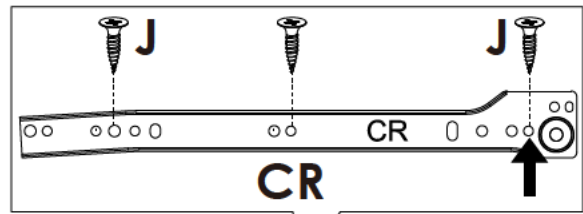
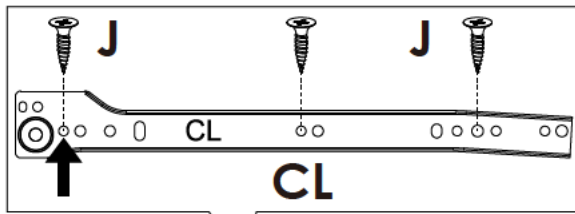





Parts List(EN) / Teile Liste(DE)

<p>A</p>  <p>M6×33mm 66+2PCS</p>	<p>B</p>  <p>Ø15×9mm 66+2PCS</p>	<p>C</p>  <p>Ø6×30mm 46+2PCS</p>	<p>D</p>  <p>3SET</p>
<p>E</p>  <p>2SET</p>	<p>F</p>  <p>M3×12mm 6PCS</p>	<p>G</p>  <p>26+2PCS</p>	<p>H</p>  <p>M4×14mm 24+2PCS</p>
<p>I</p>  <p>6PCS</p>	<p>J</p>  <p>M3.5×12mm 56+2PCS</p>	<p>K</p>  <p>M4×12mm 8+1PCS</p>	<p>L</p>  <p>M4×33mm 29+2PCS</p>
<p>M</p>  <p>Ø5×16mm 4PCS</p>	<p>N</p>  <p>6SET</p>	<p>O</p>  <p>M3.5×16mm 8+1PCS</p>	<p>P</p>  <p>Ø20mm 10+1PCS</p>
<p>CL</p>  <p>L300mm 3PCS</p>	<p>CR</p>  <p>L300mm 3PCS</p>	<p>DL</p>  <p>L300mm 3PCS</p>	<p>DR</p>  <p>L300mm 3PCS</p>

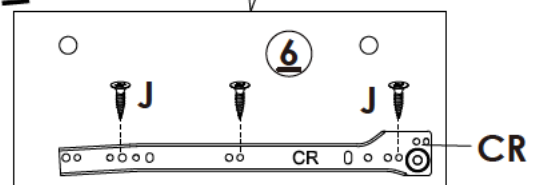
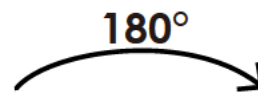
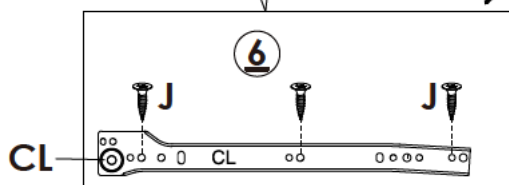
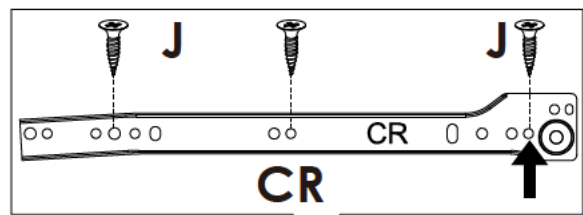
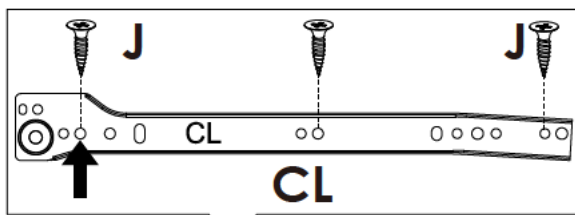
Assembly Steps(EN) / Montageschritte(DE)




STEP 1




	J x 6PCS
	CL x 1PC
	CR x 1PC

STEP 2

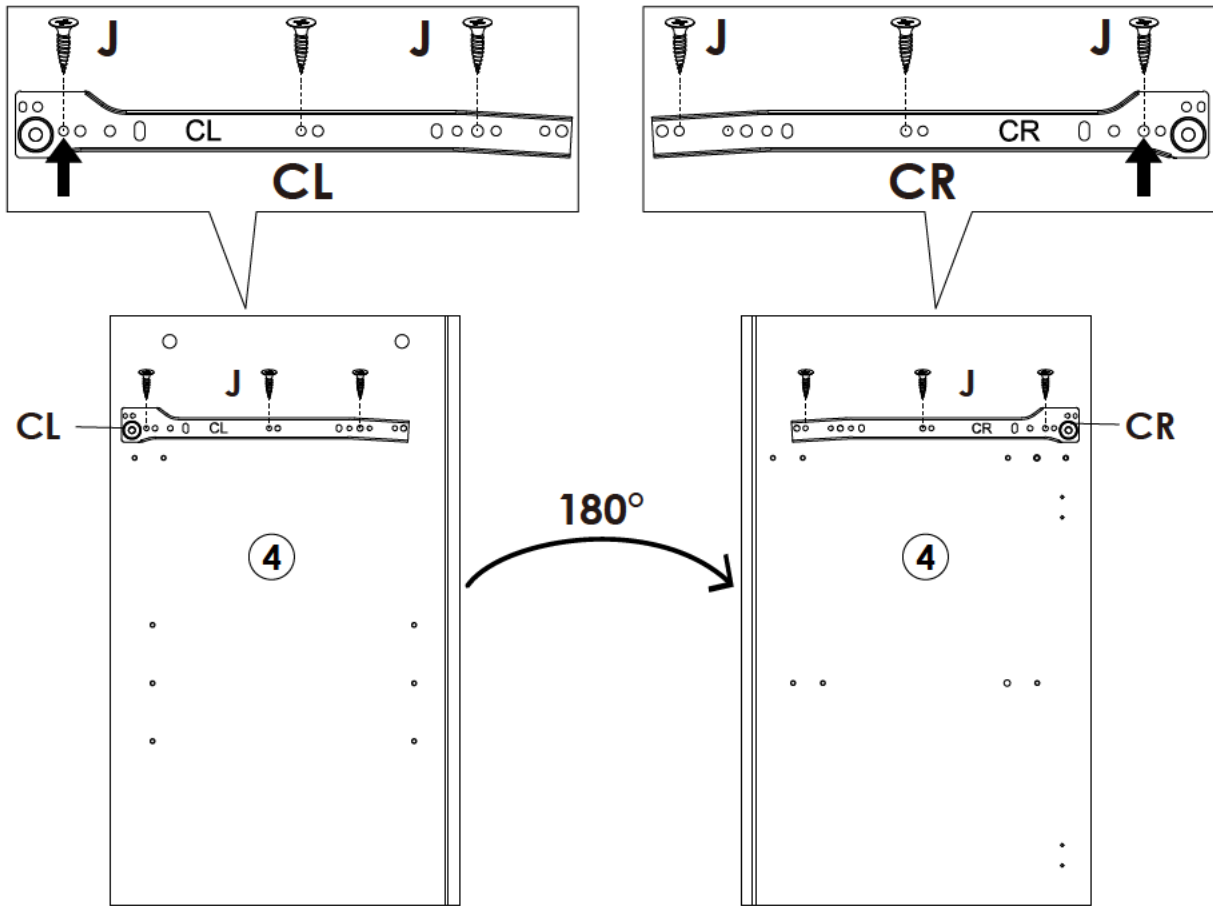





	J x 6PCS
	CL x 1PC
	CR x 1PC


 Turn over part ⑥ to install the other side.

Assembly Steps(EN) / Montageschritte(DE)

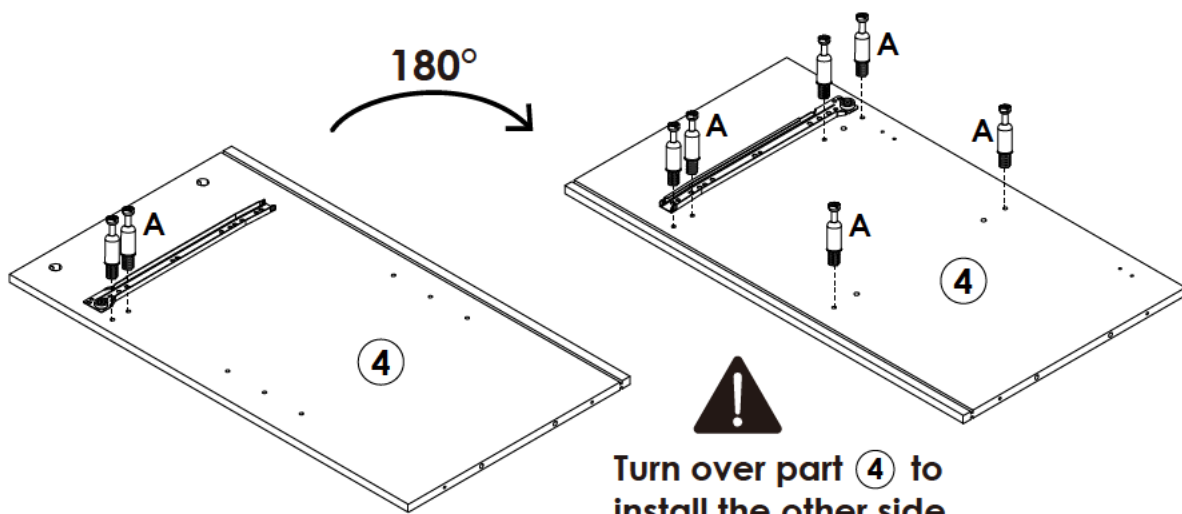
STEP 3




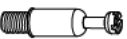
	J x 6PCS
	CL x 1PC
	CR x 1PC

 Turn over part ④ to install the other side.

STEP 4

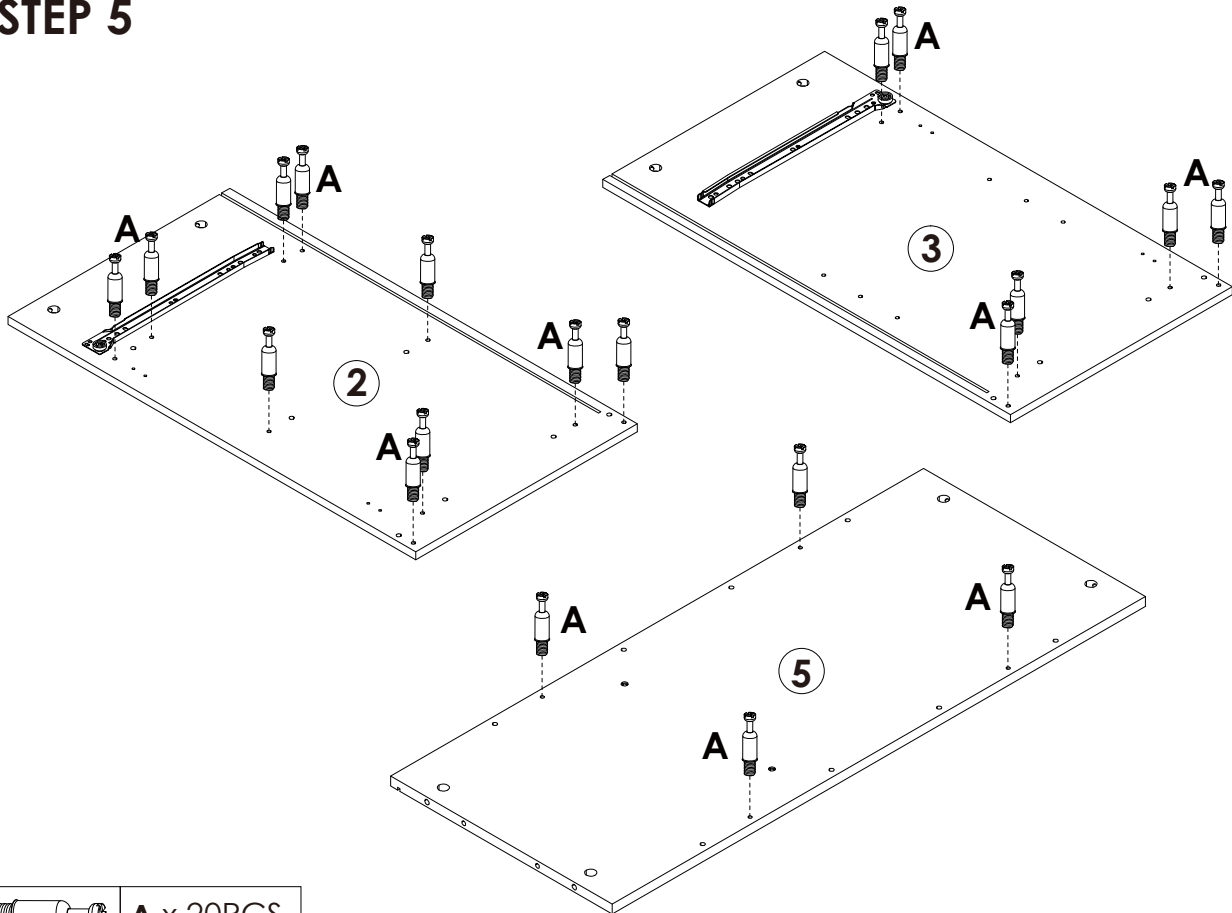


 Turn over part ④ to install the other side.

	A x 8PCS
---	----------

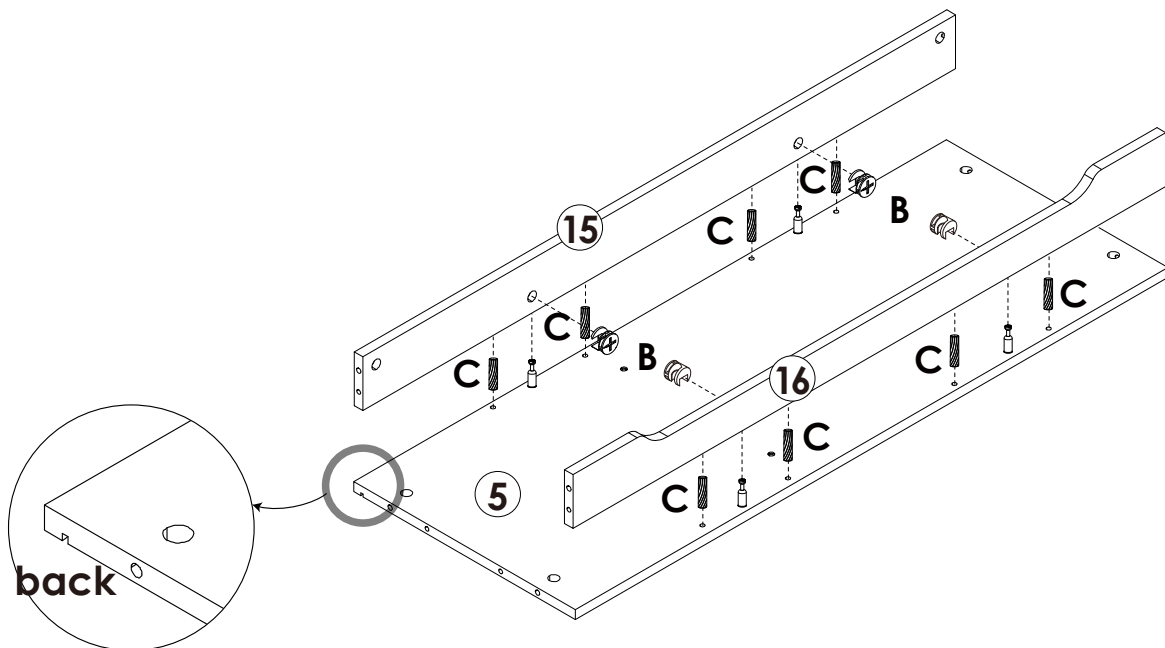
Assembly Steps(EN) / Montageschritte(DE)

STEP 5

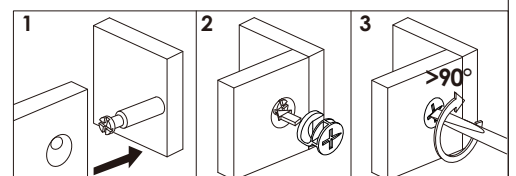


 A x 20PCS

STEP 6



back

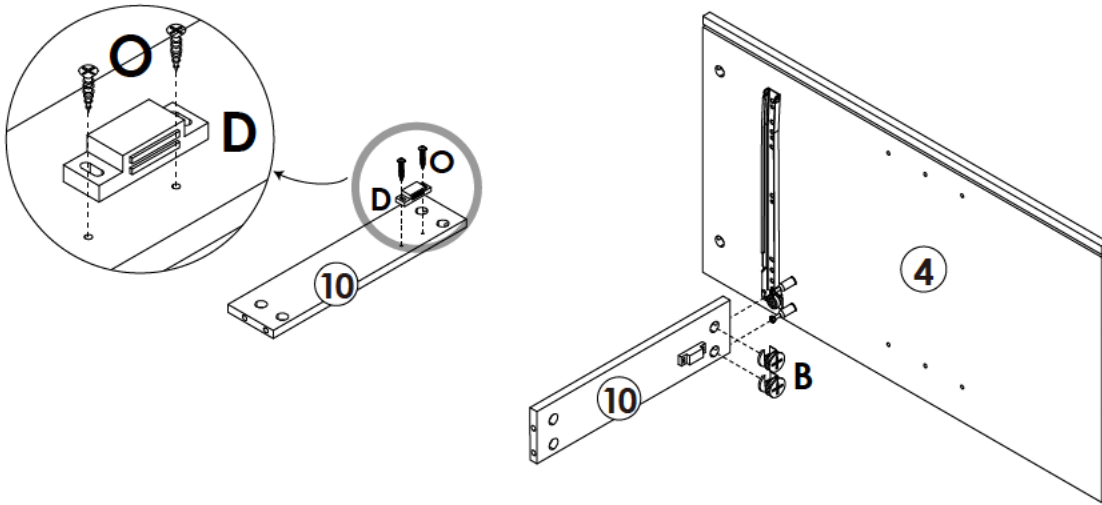



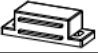

 B x 4PCS

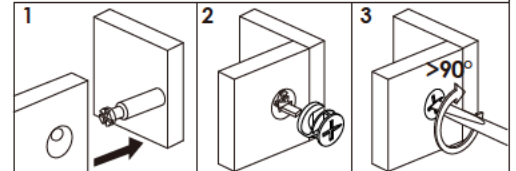
 C x 8PCS

Assembly Steps(EN) / Montageschritte(DE)

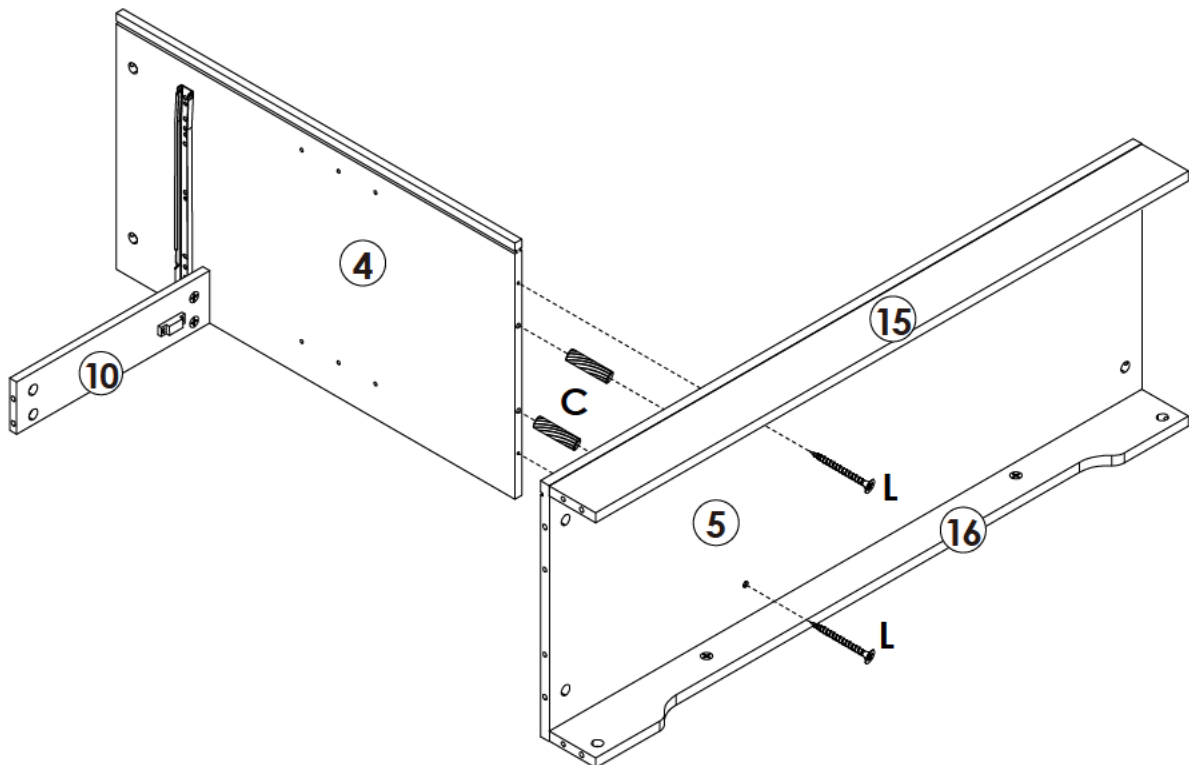
STEP 7


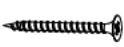


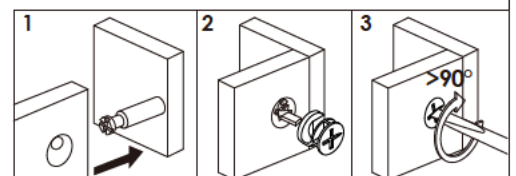
	B x 2PCS
	D x 1PC
	O x 2PCS



STEP 8

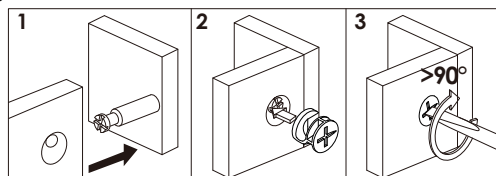
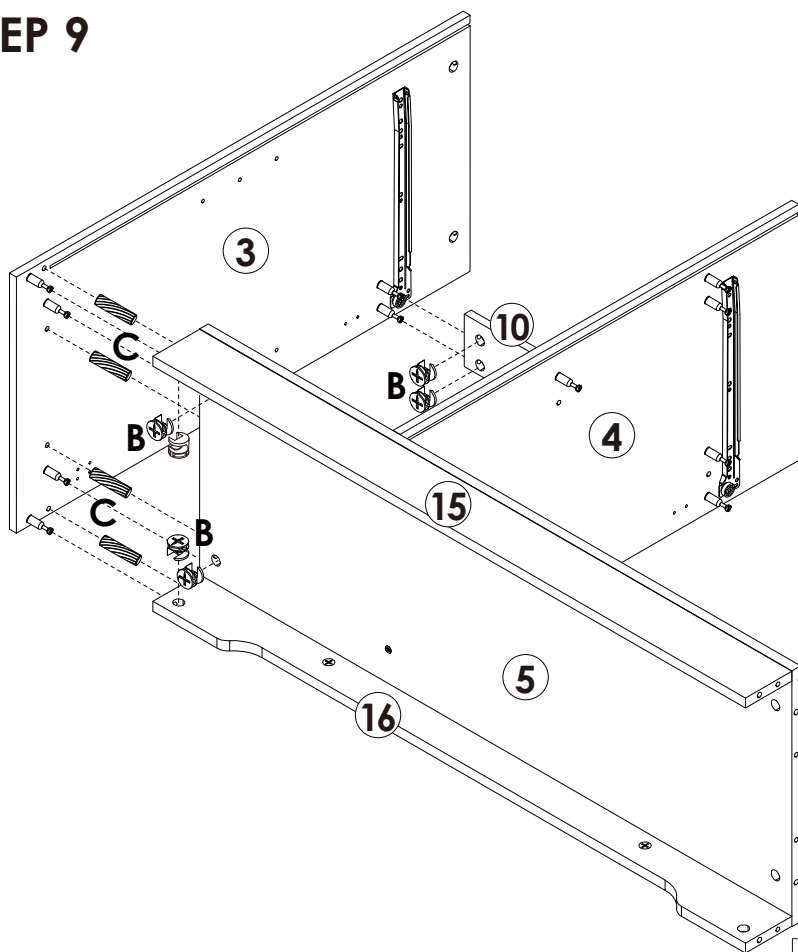




	C x 2PCS
	L x 2PCS



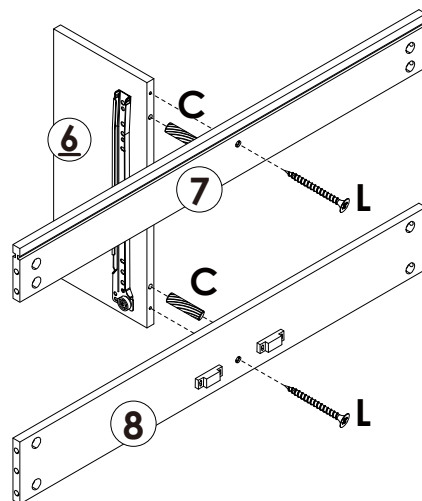
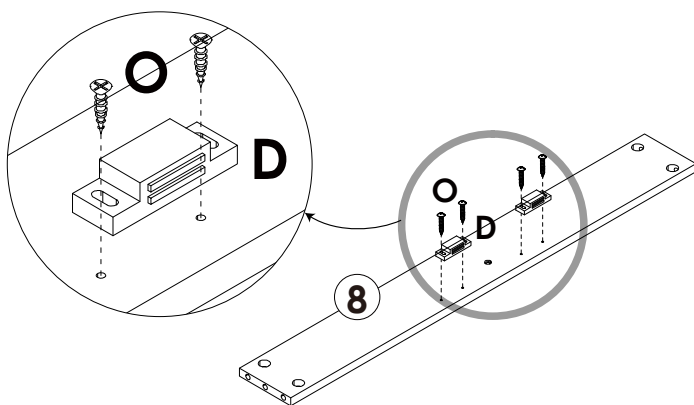
Assembly Steps(EN) / Montageschritte(DE)

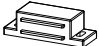


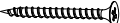
STEP 9



	B x 6PCS
	C x 4PCS

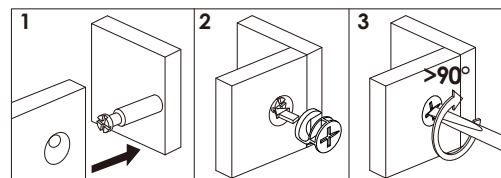
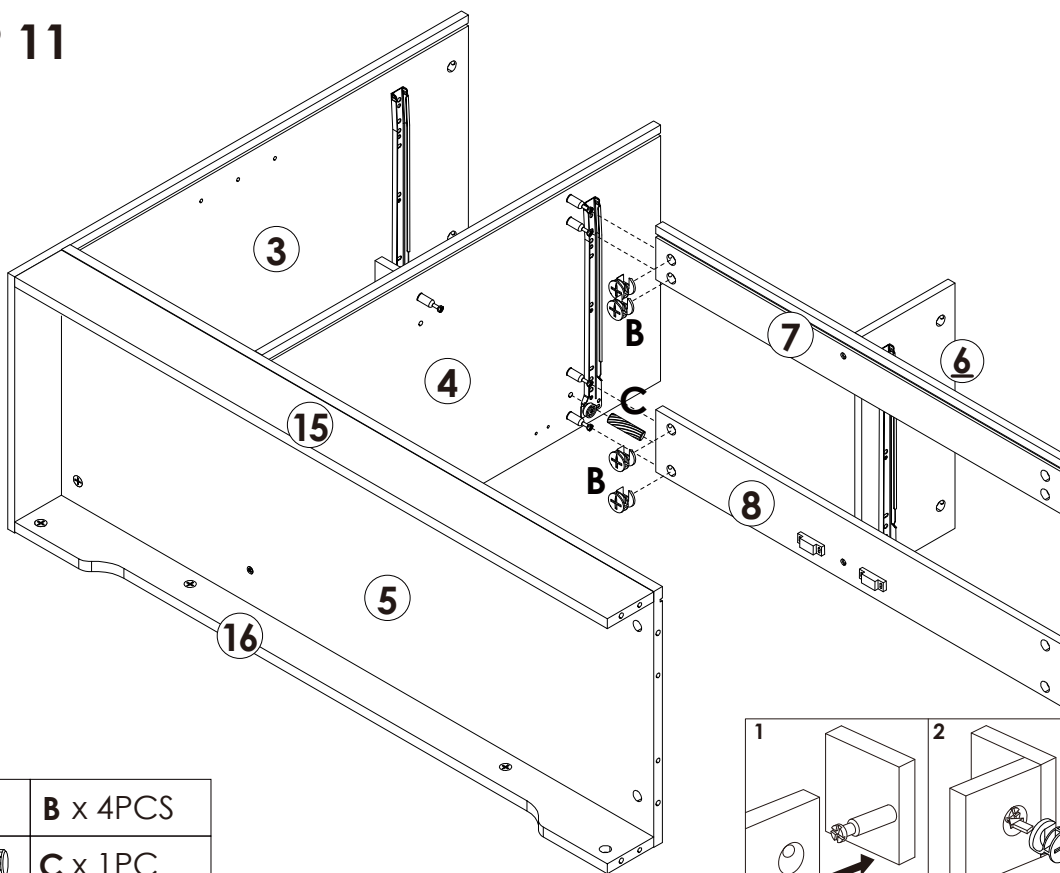
STEP 10





	D x 2PCS
	O x 4PCS
	C x 2PCS
	L x 2PCS

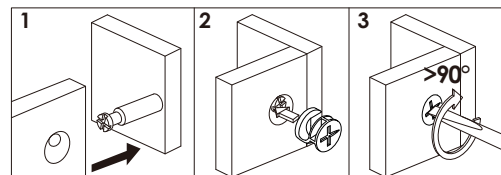
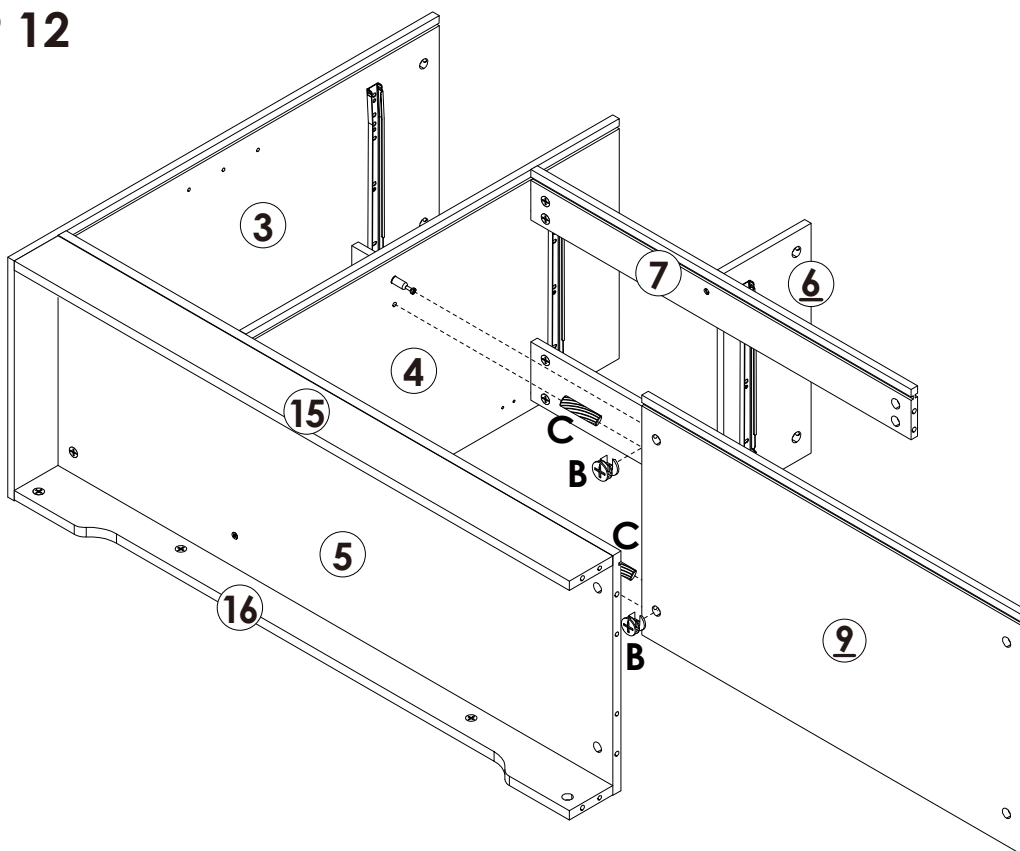
Assembly Steps(EN) / Montageschritte(DE)



STEP 11



	B x 4PCS
	C x 1PC

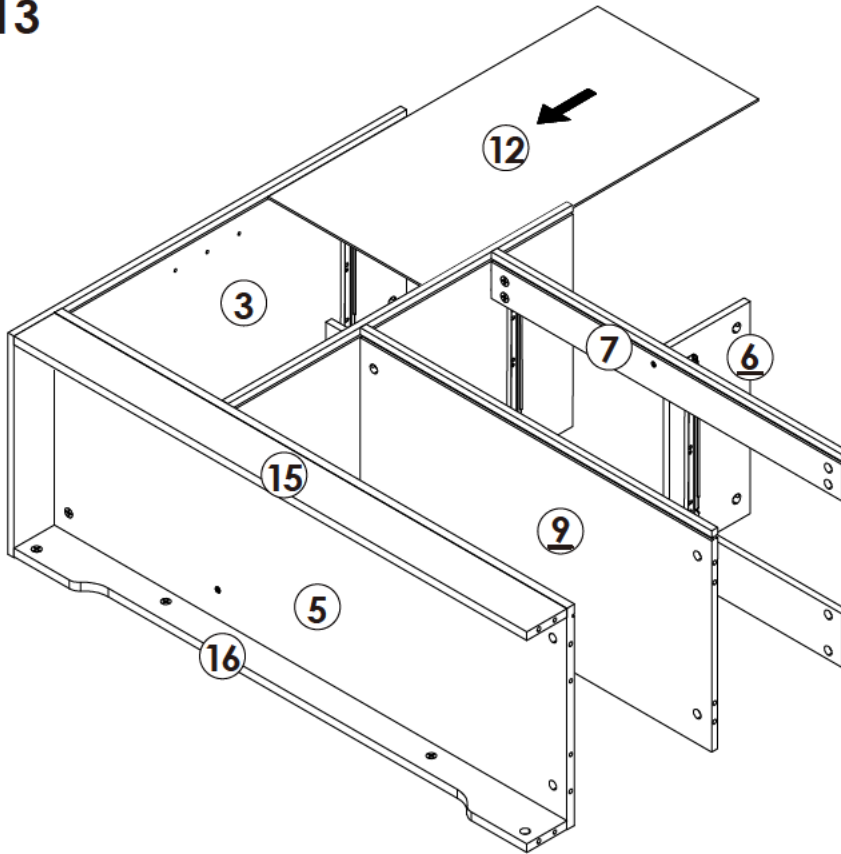
STEP 12



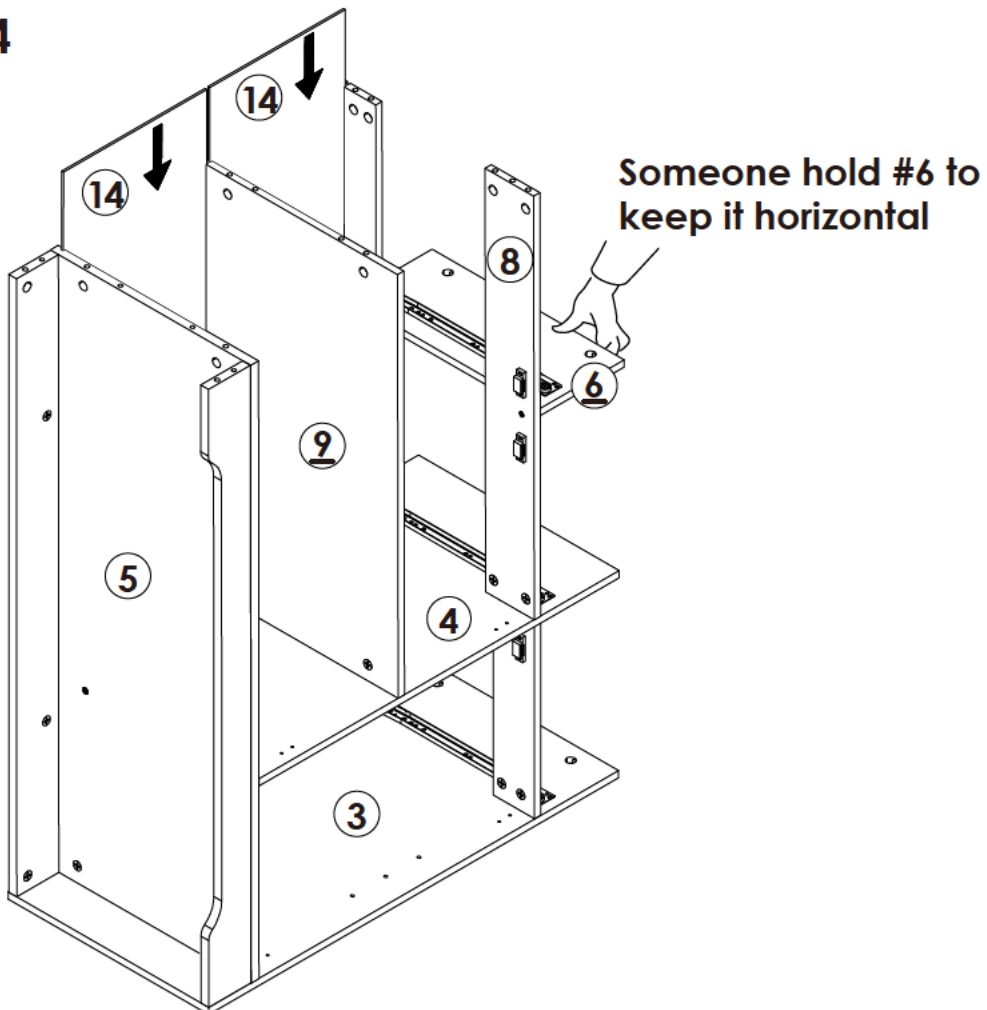
	B x 2PCS
	C x 2PCS

Assembly Steps(EN) / Montageschritte(DE)

STEP 13

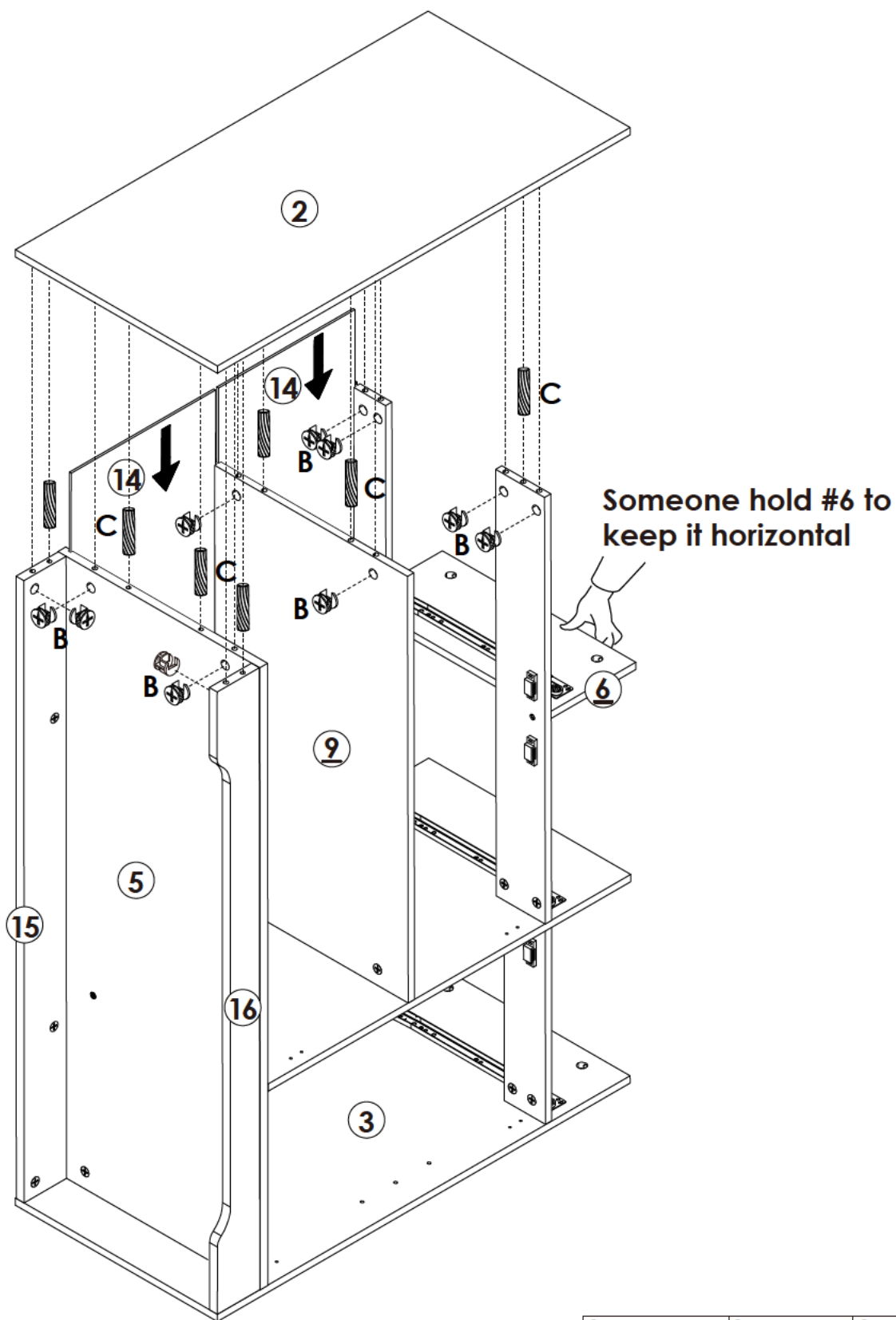


STEP 14





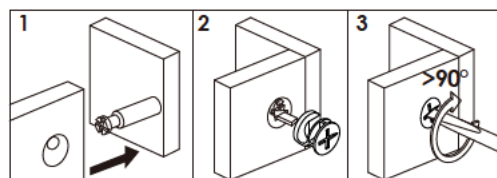
Assembly Steps(EN) / Montageschritte(DE)

STEP 15



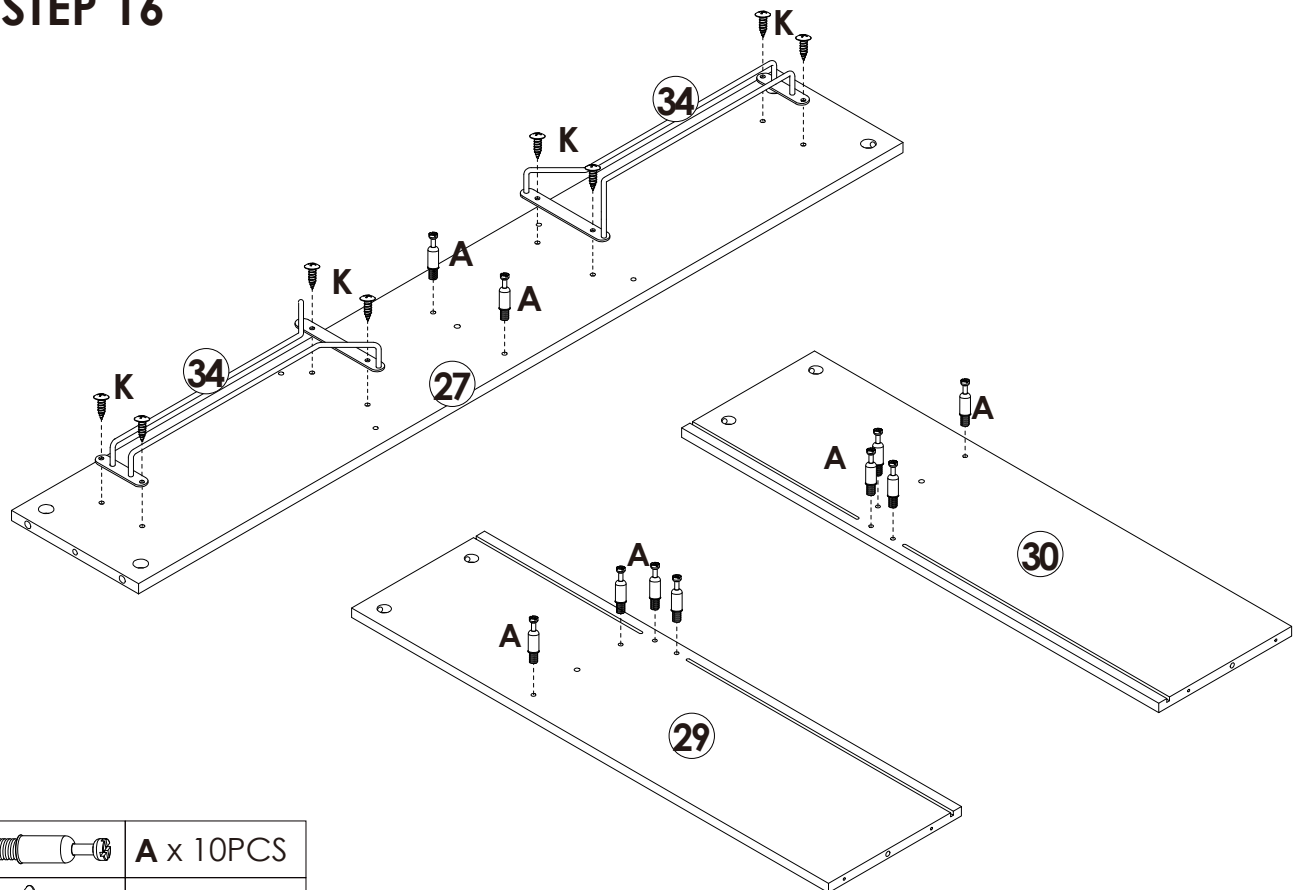
Someone hold #6 to keep it horizontal

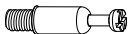

	B x 10PCS
	C x 7PCS



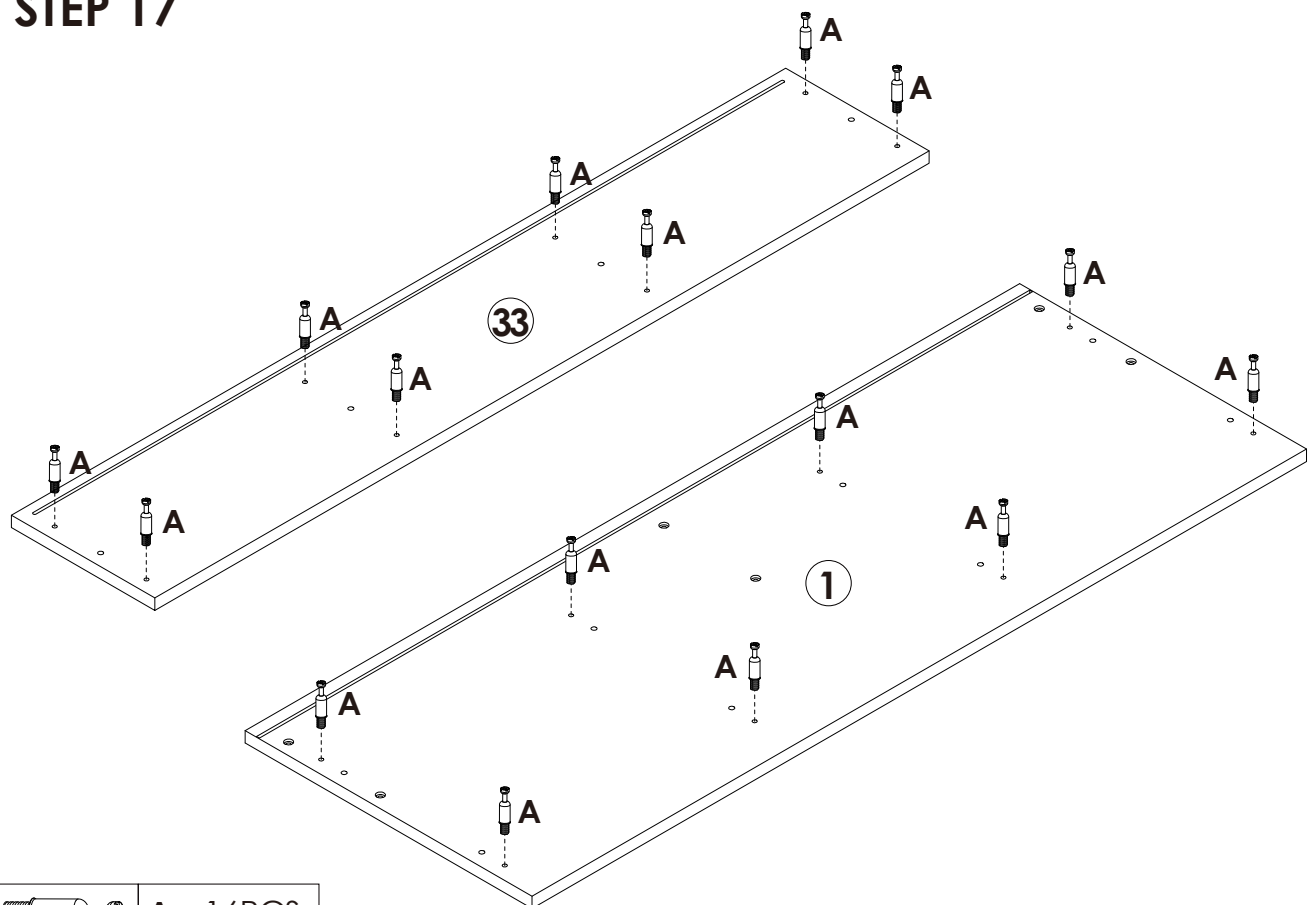
Assembly Steps(EN) / Montageschritte(DE)

STEP 16



	A x 10PCS
	K x 8PCS

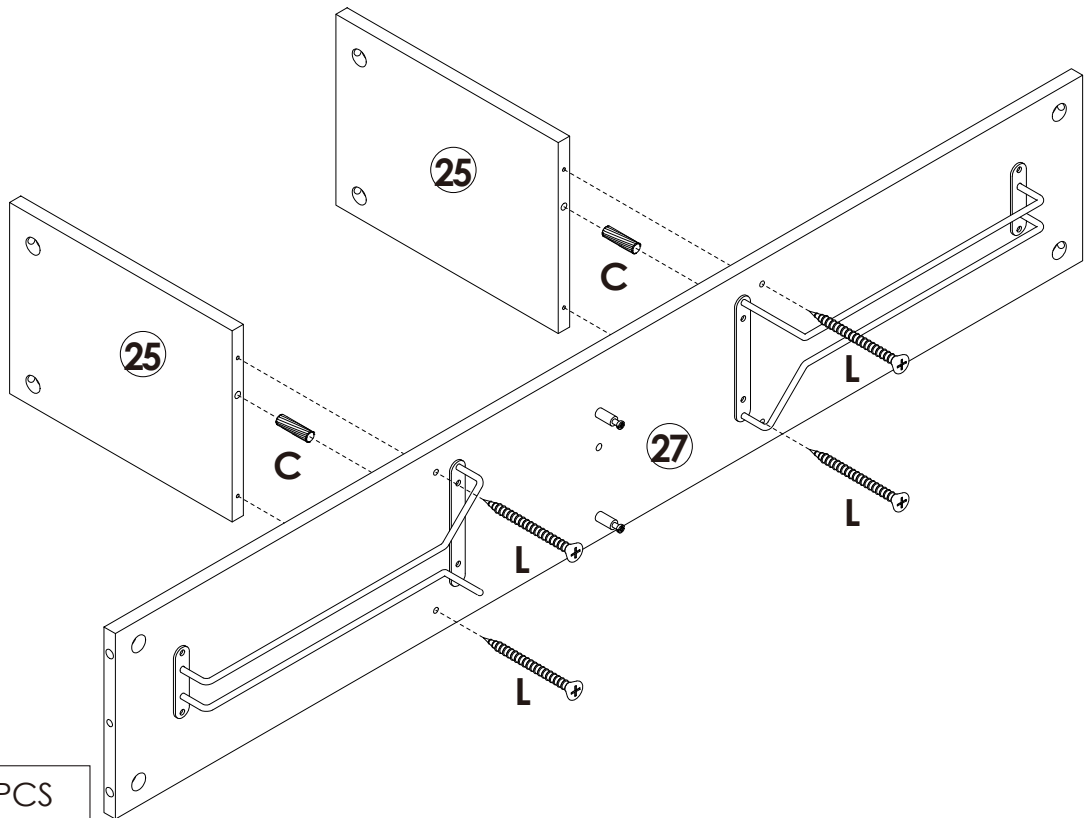
STEP 17


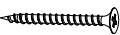


	A x 16PCS
---	-----------

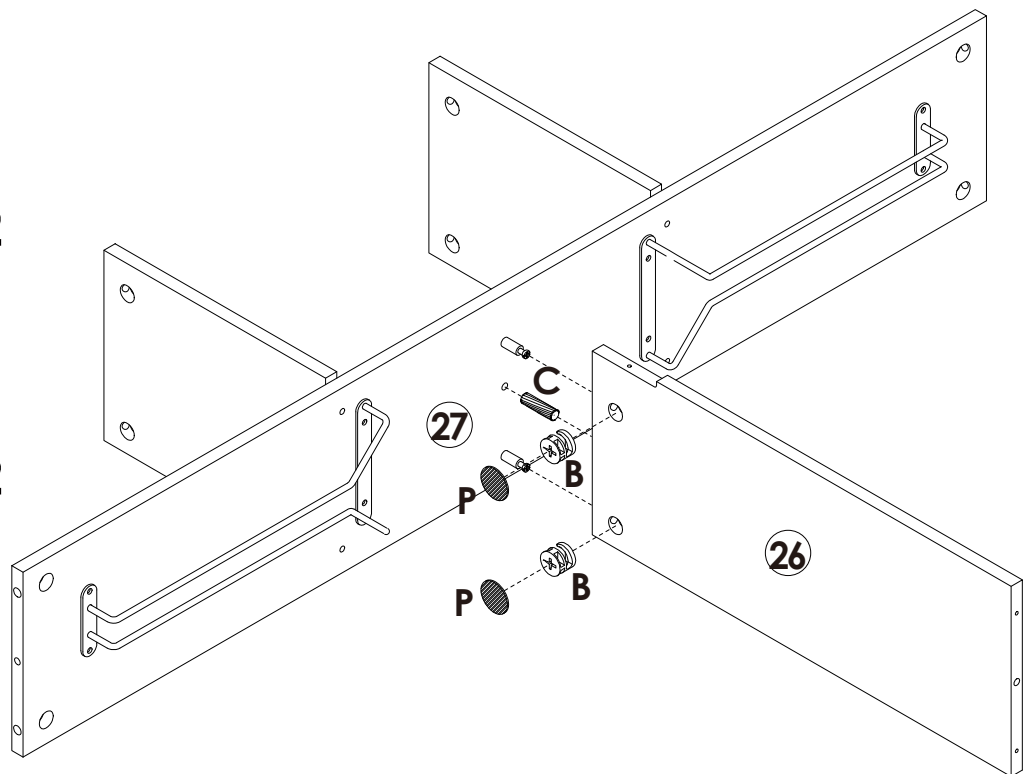
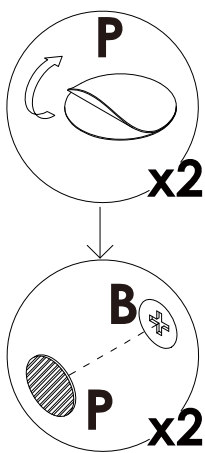
Assembly Steps(EN) / Montageschritte(DE)




STEP 18

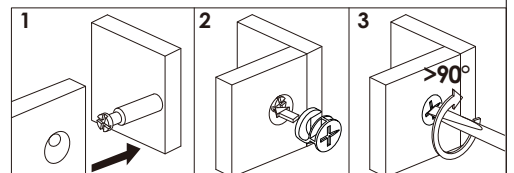


	C x 2PCS
	L x 4PCS

STEP 19

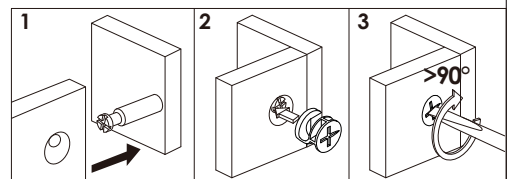
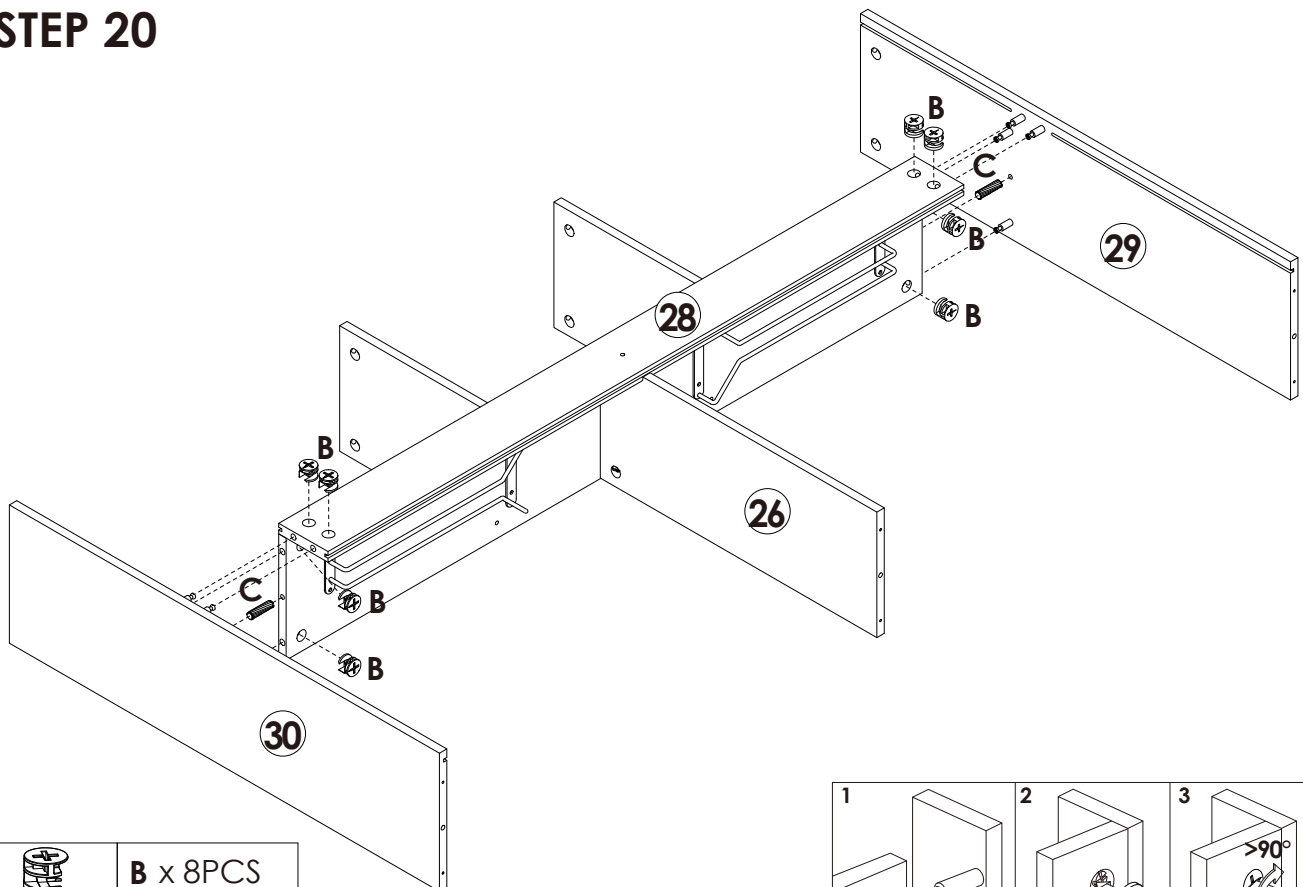




	B x 2PCS
	C x 1PC
	P x 2PCS



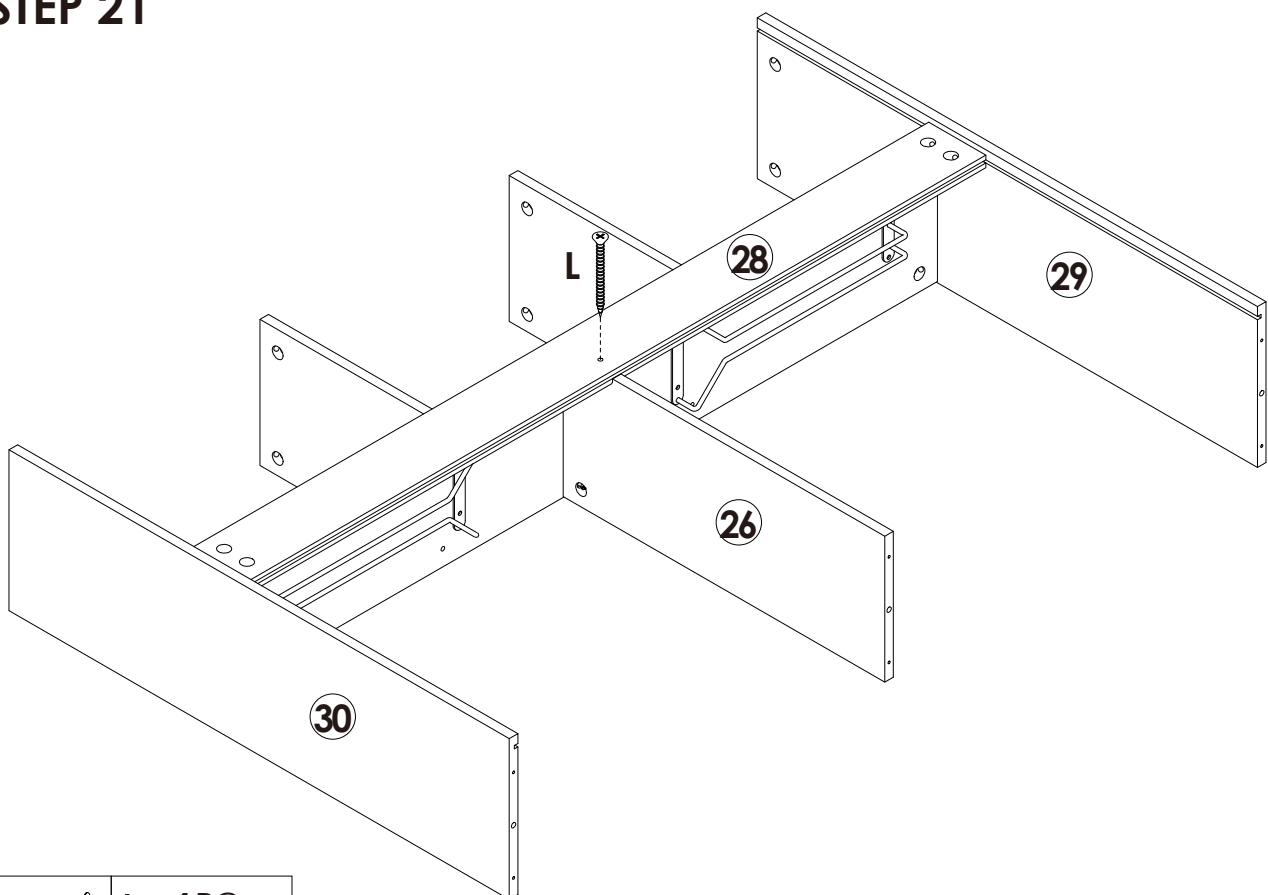
Assembly Steps(EN) / Montageschritte(DE)

STEP 20



	B x 8PCS
	C x 2PCS

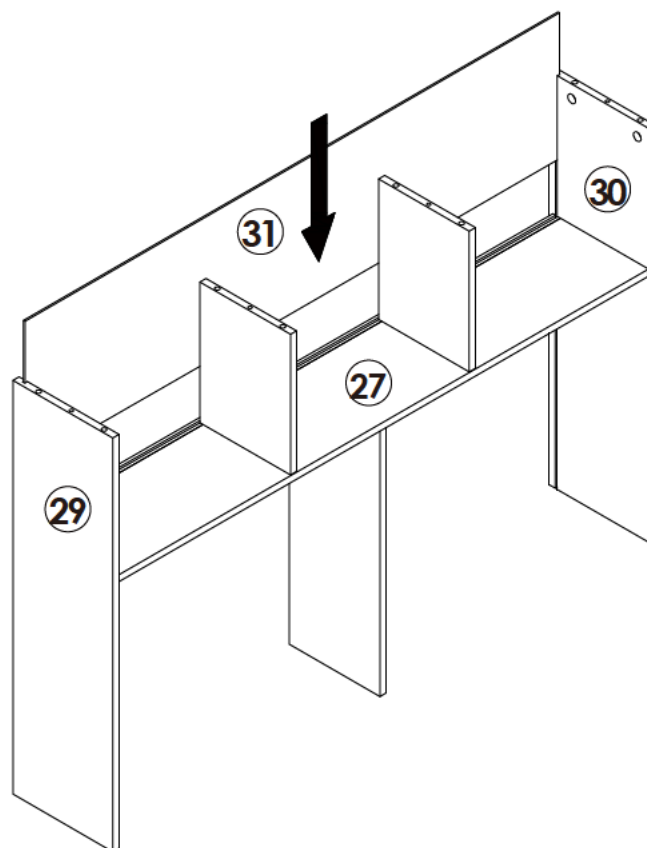
STEP 21



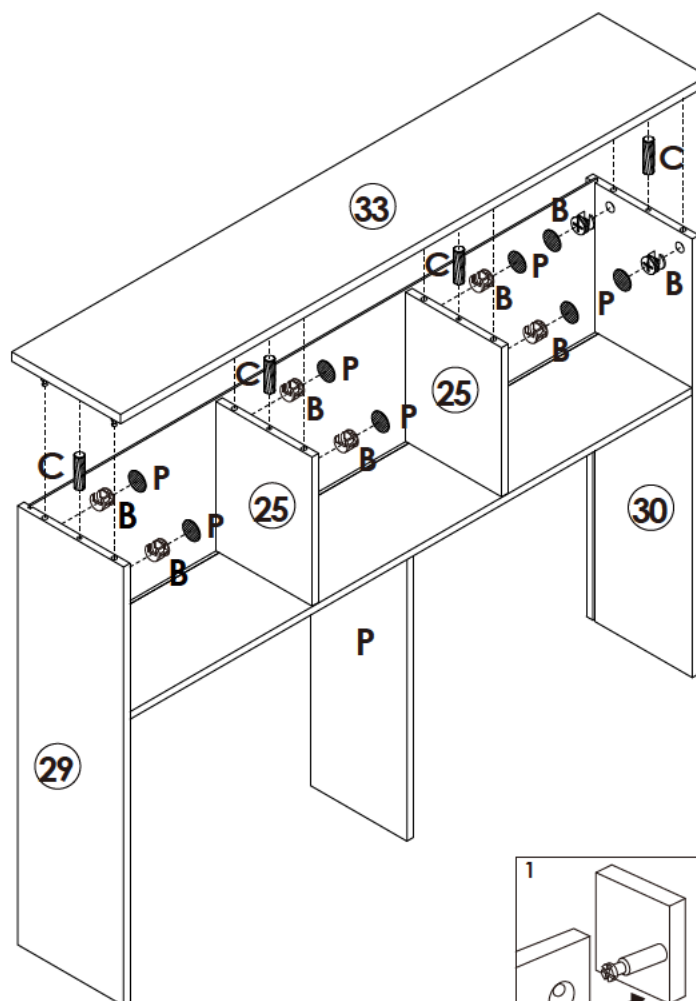
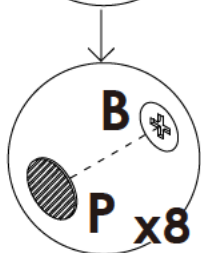
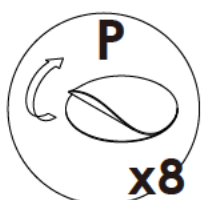
	L x 1PC
---	----------------




Assembly Steps(EN) / Montageschritte(DE)

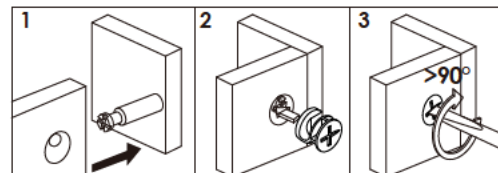
STEP 22



STEP 23

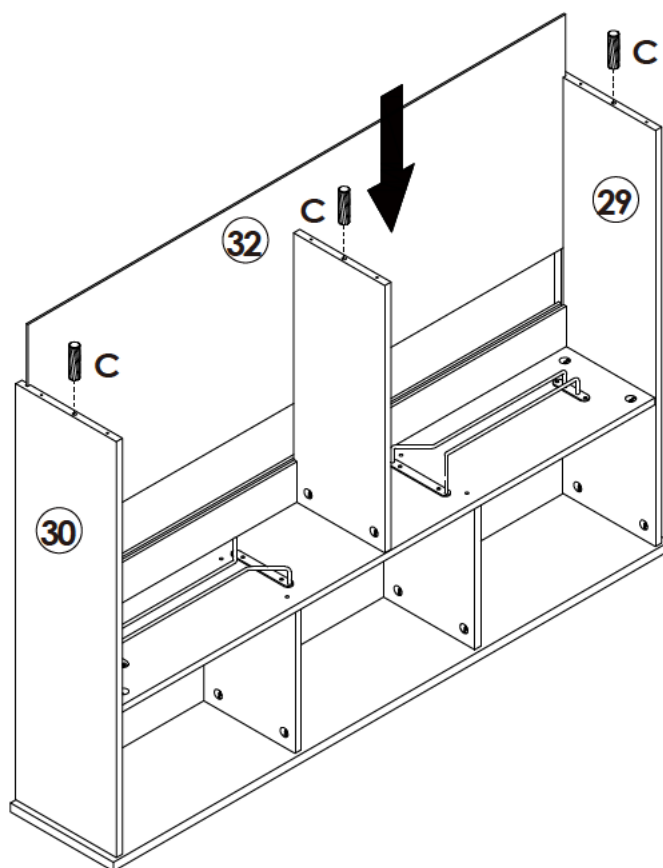


	B x 8PCS
	C x 4PCS
	P x 8PCS



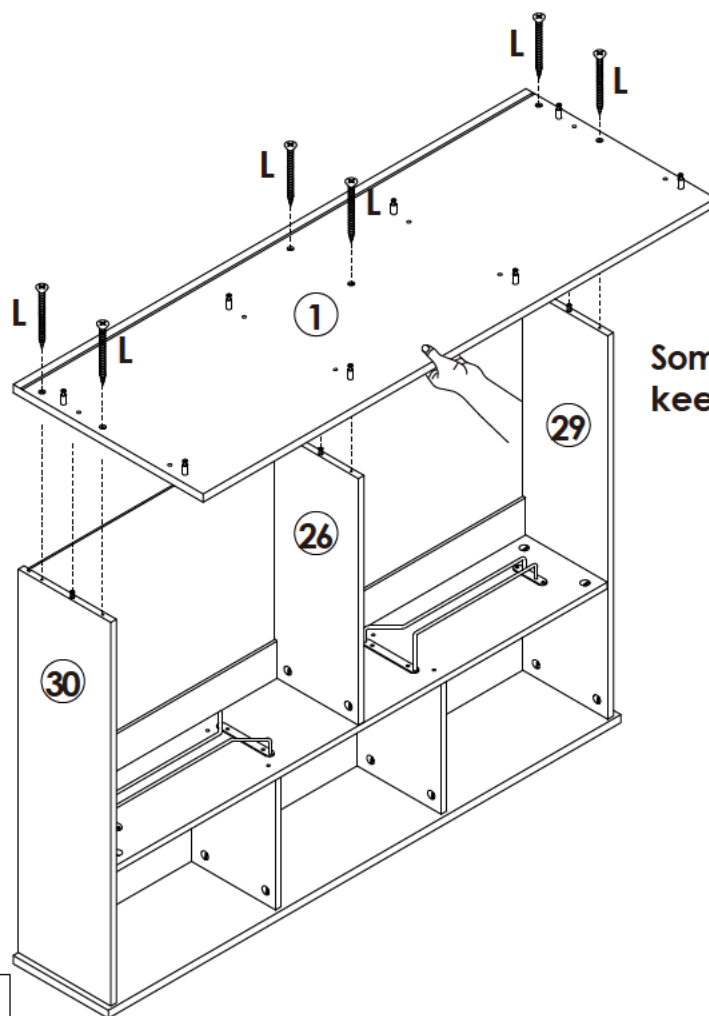
Assembly Steps(EN) / Montageschritte(DE)

STEP 24

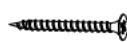


C x 3PCS

STEP 25



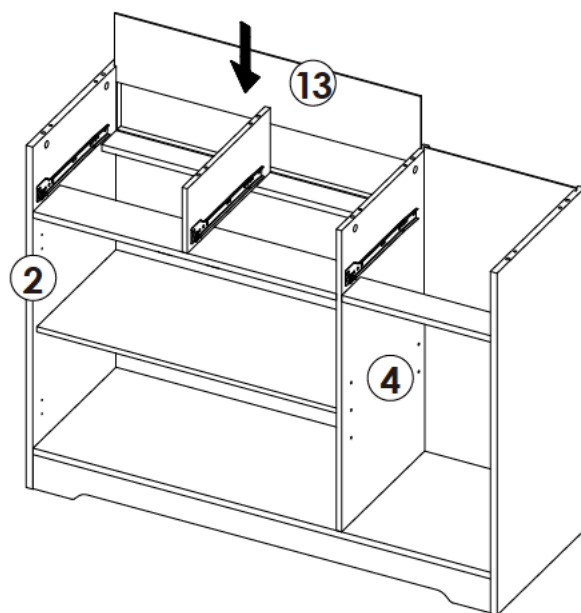
Someone hold #1 to keep it horizontal



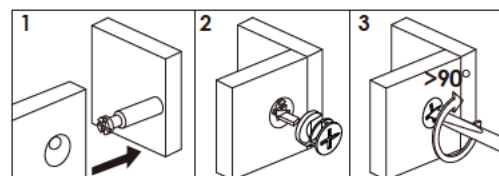
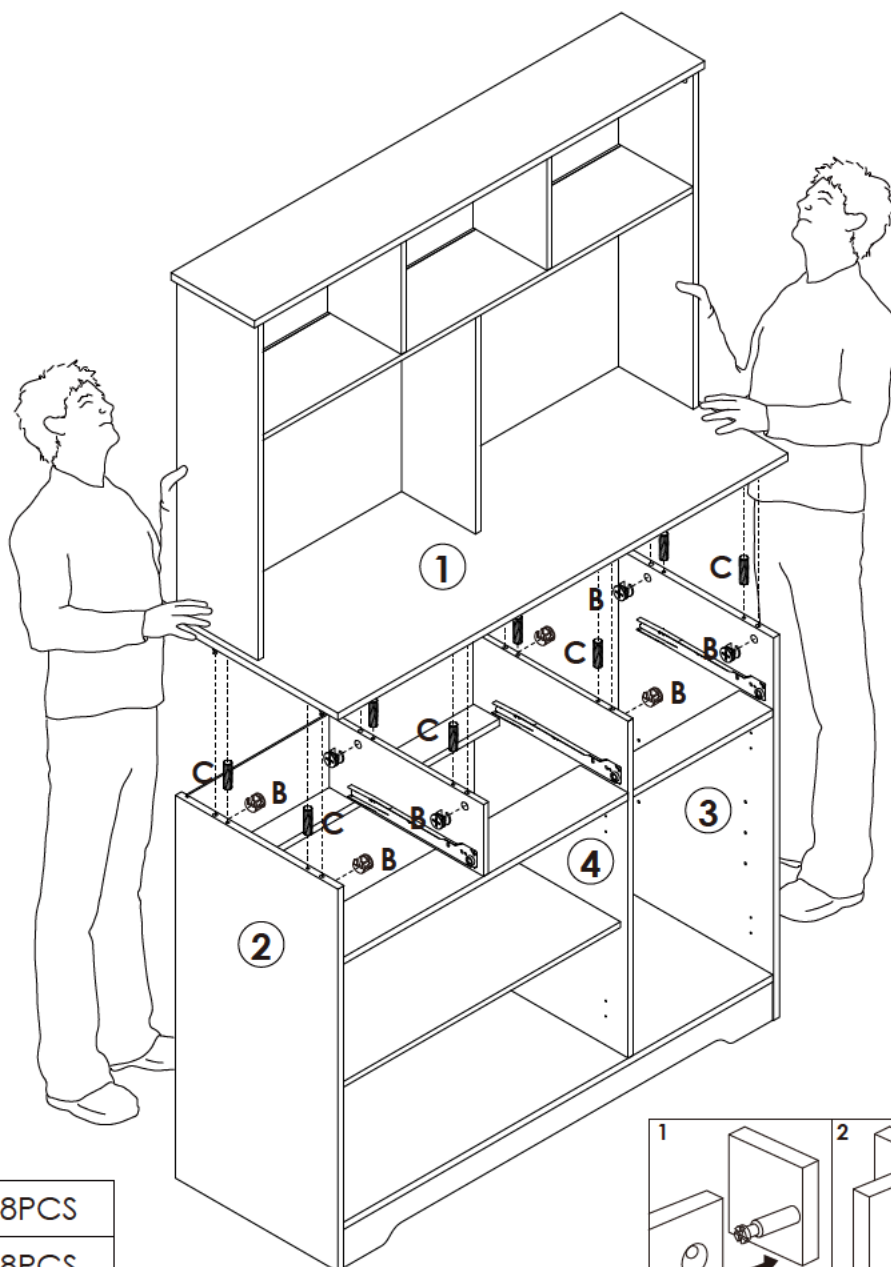
L x 6PCS



Assembly Steps(EN) / Montageschritte(DE)

STEP 26



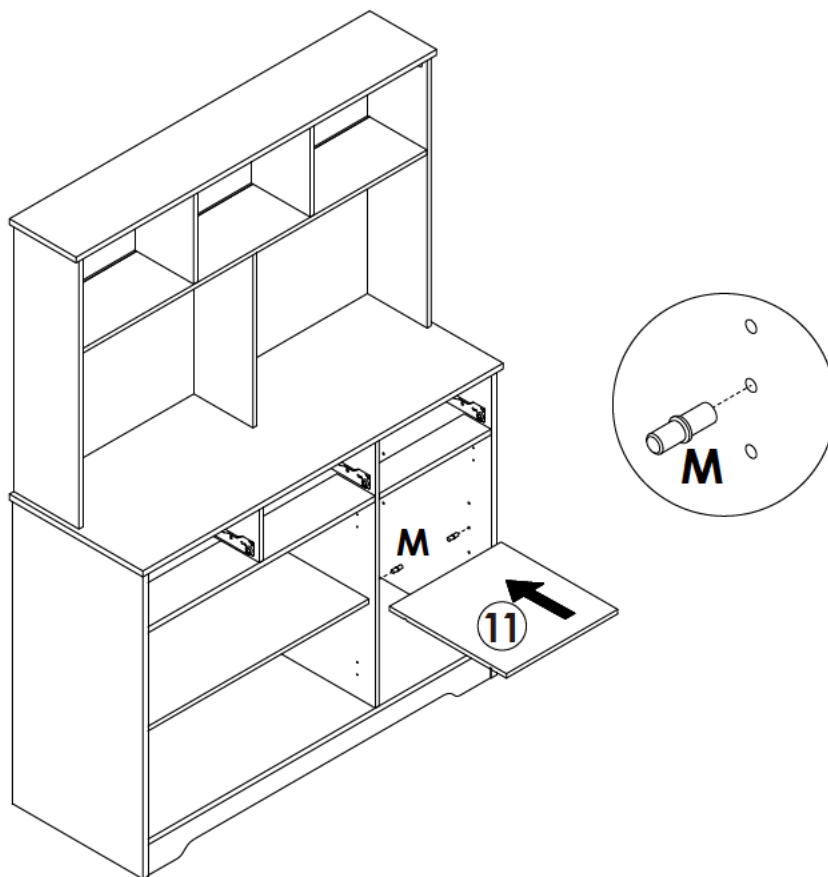
STEP 27



	B x 8PCS
	C x 8PCS

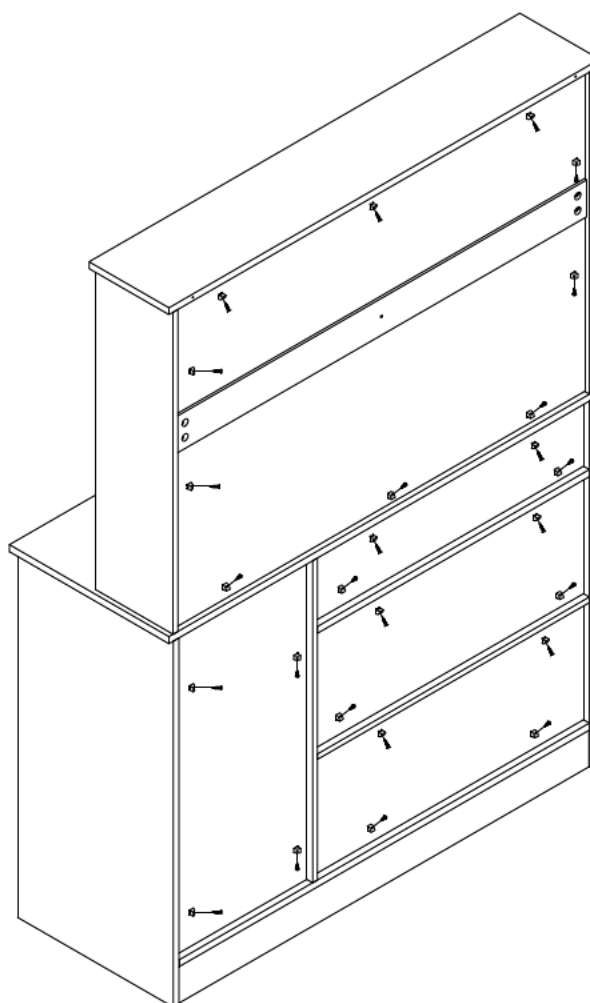
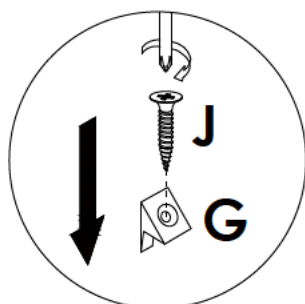
Assembly Steps(EN) / Montageschritte(DE)

STEP 28

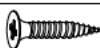


M x 4PCS

STEP 29



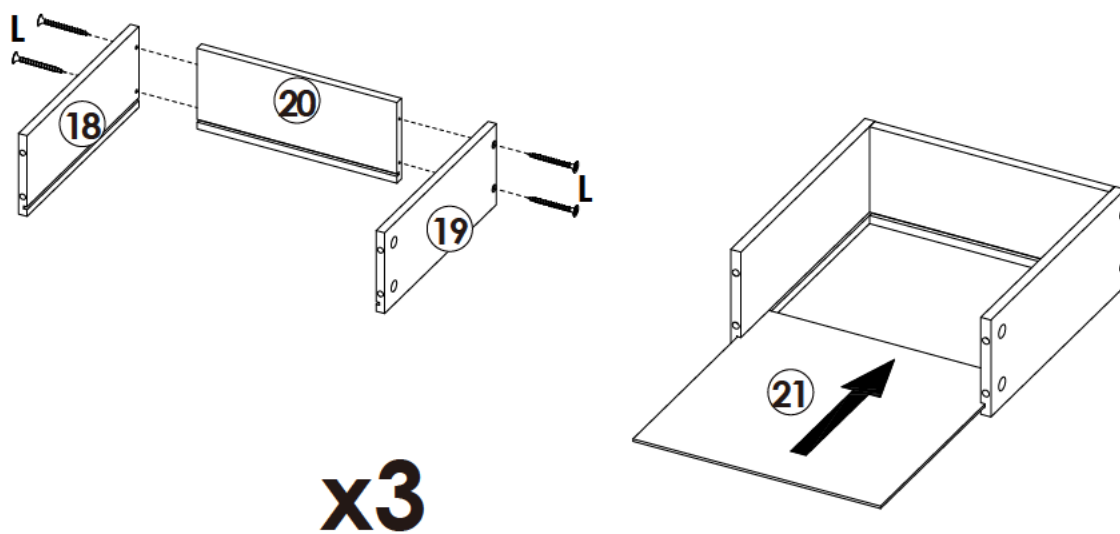
G x 26PCS



J x 26PCS

Assembly Steps(EN) / Montageschritte(DE)

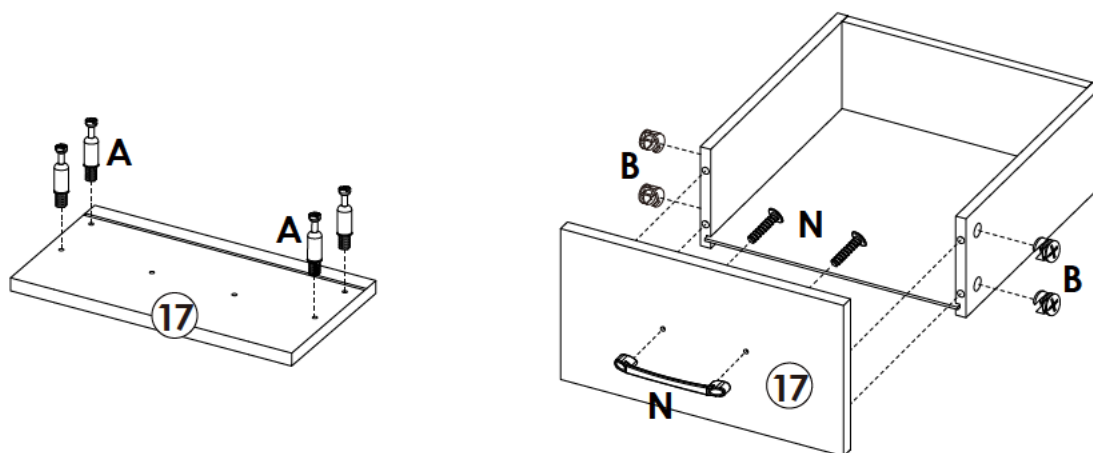
STEP 30



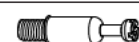

x3

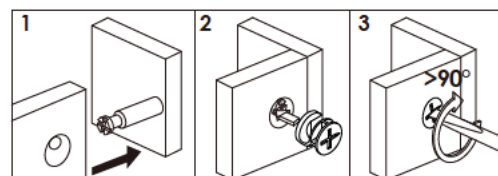
 L x 12PCS

STEP 31



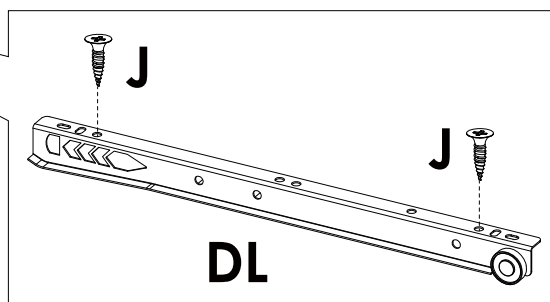
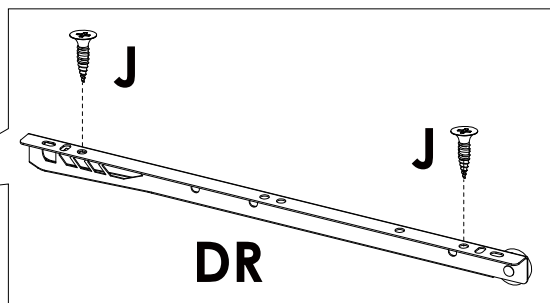
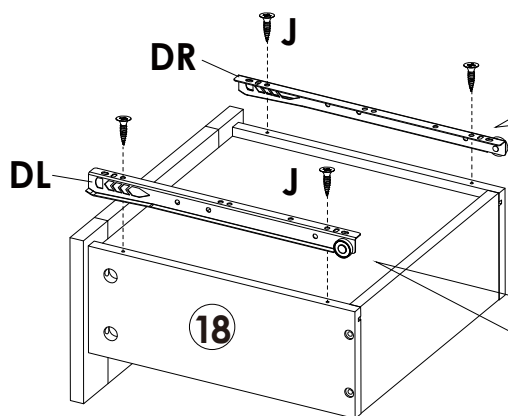
x3




	A x 12PCS
	B x 12PCS
	N x 3SET



Assembly Steps(EN) / Montageschritte(DE)

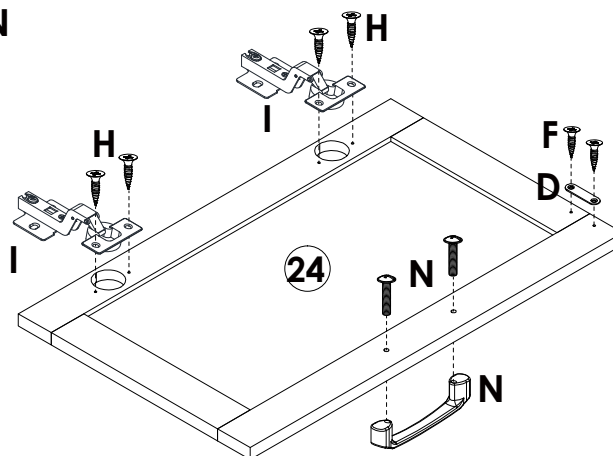
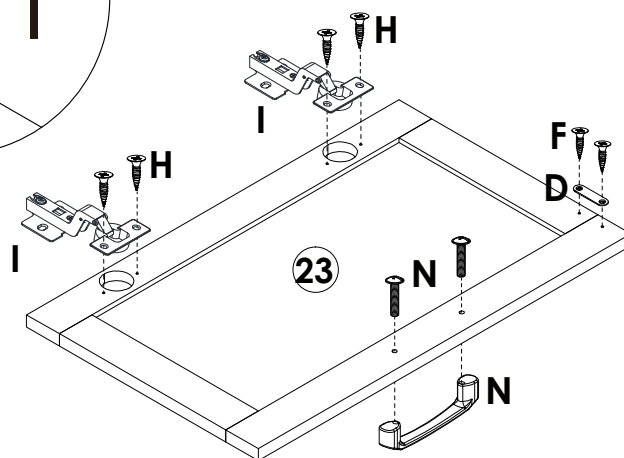
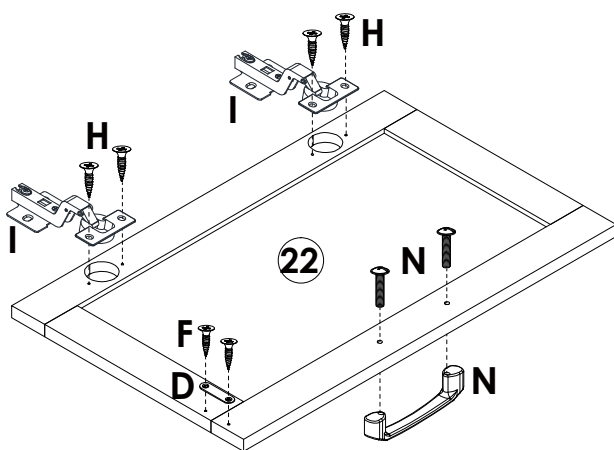
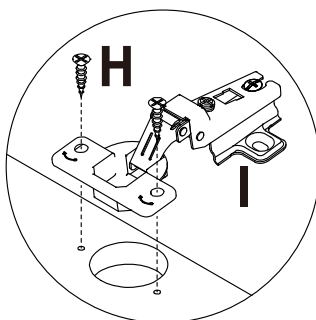
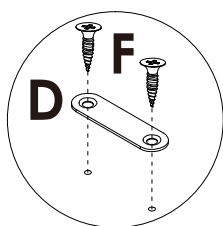
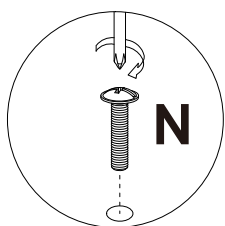
STEP 32





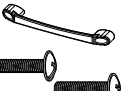


	J x 12PCS
	DL x 3PCS
	DR x 3PCS

x3

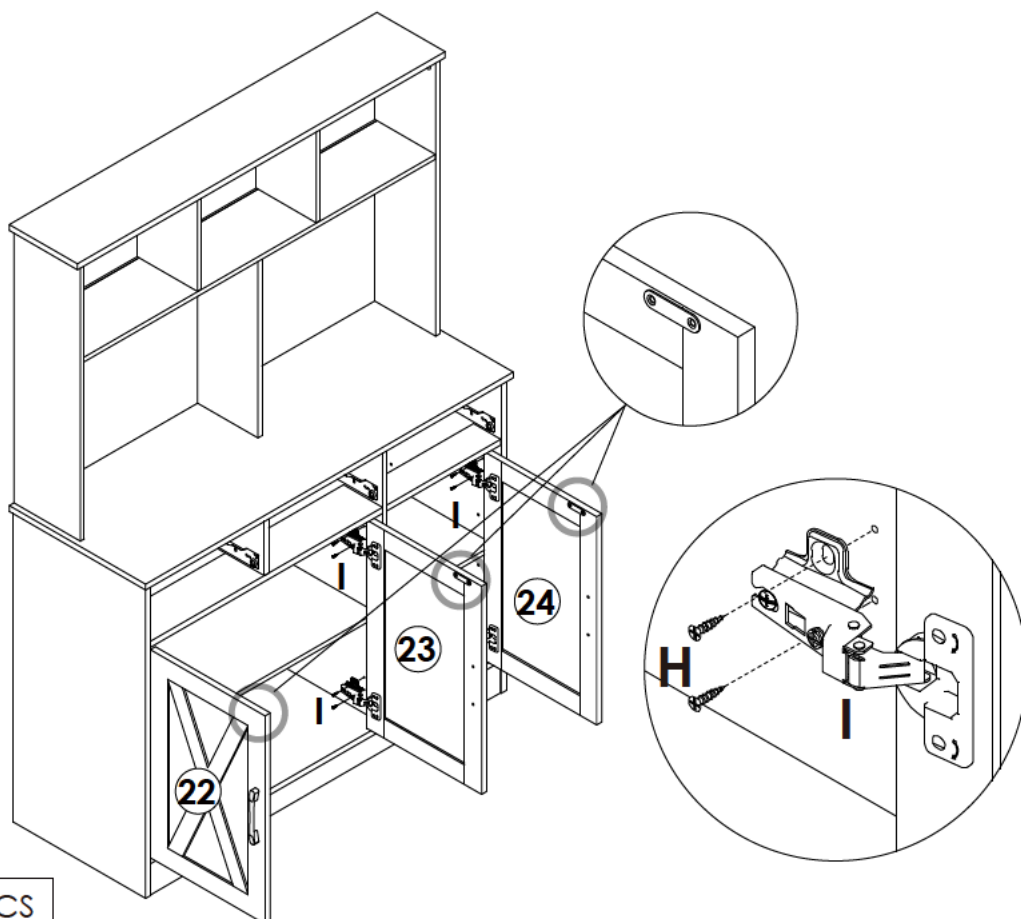
STEP 33



	D x 3PCS
	F x 6PCS
	H x 12PCS
	I x 6PCS
	N x 3SET

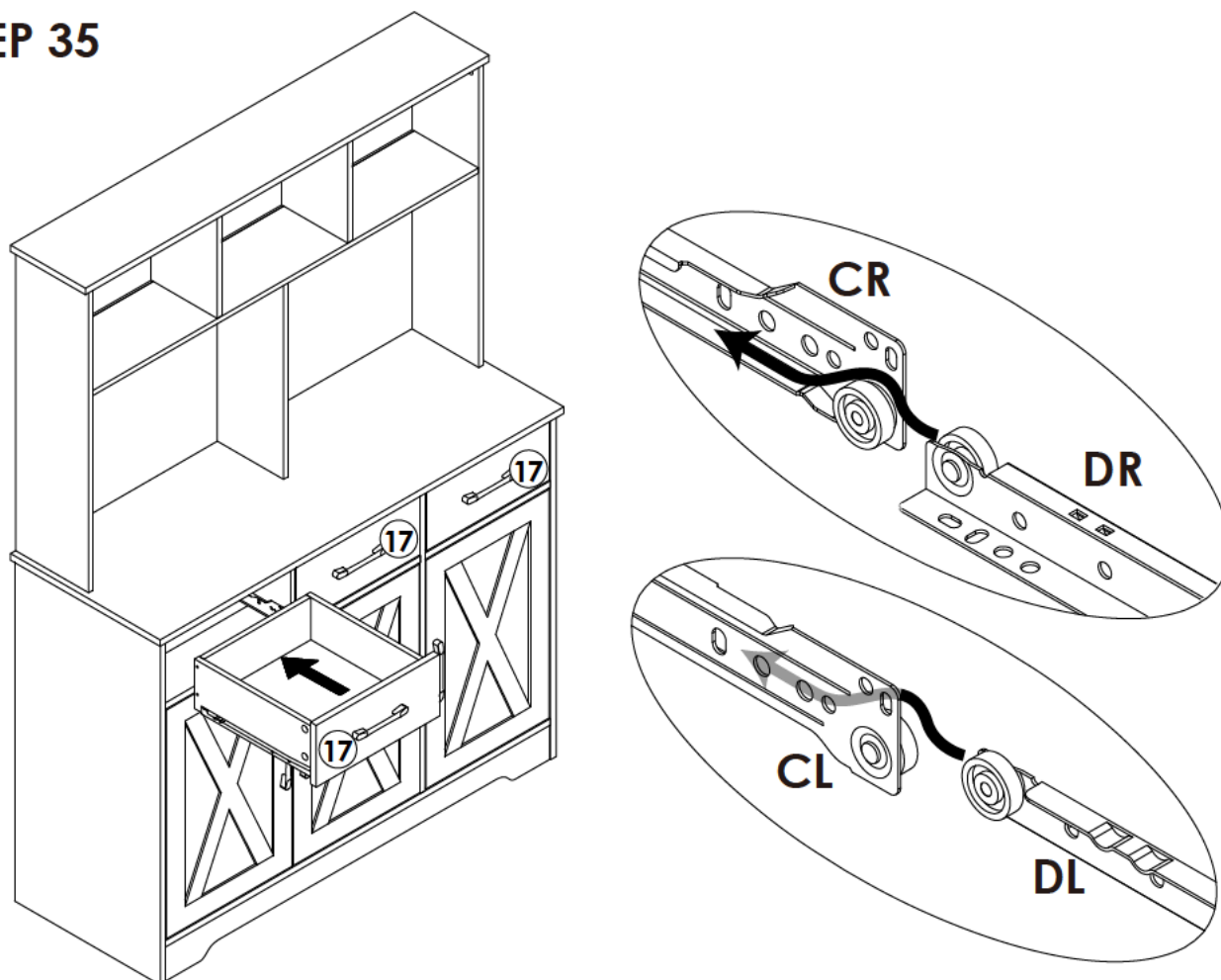
Assembly Steps(EN) / Montageschritte(DE)

STEP 34



H x 12PCS

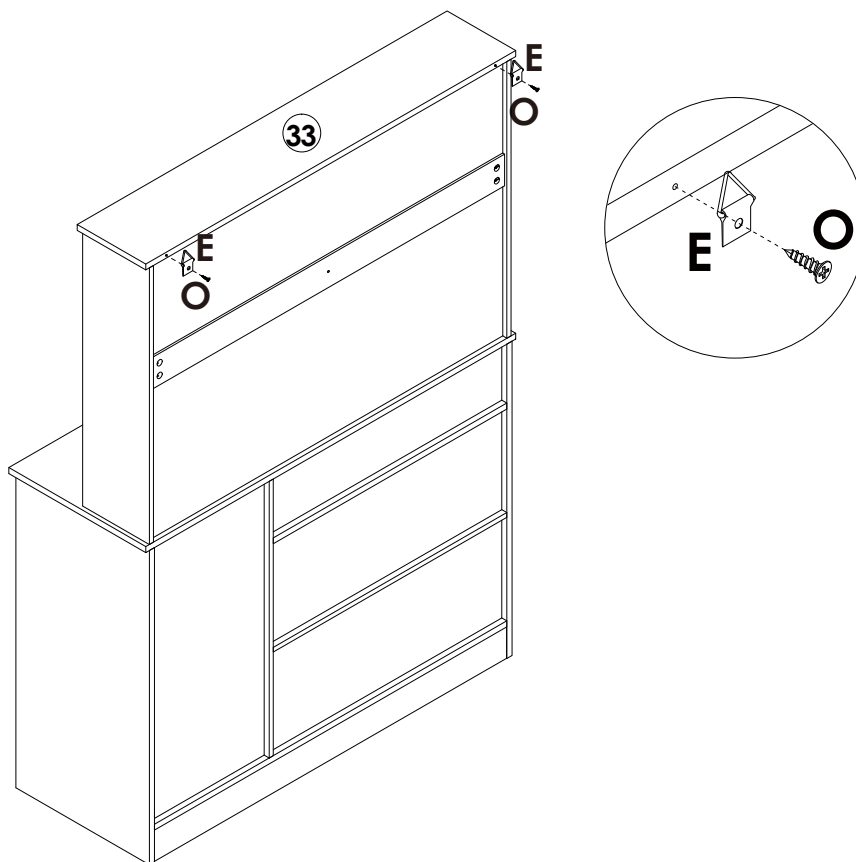
STEP 35



Assembly Steps(EN) / Montageschritte(DE)

STEP 36

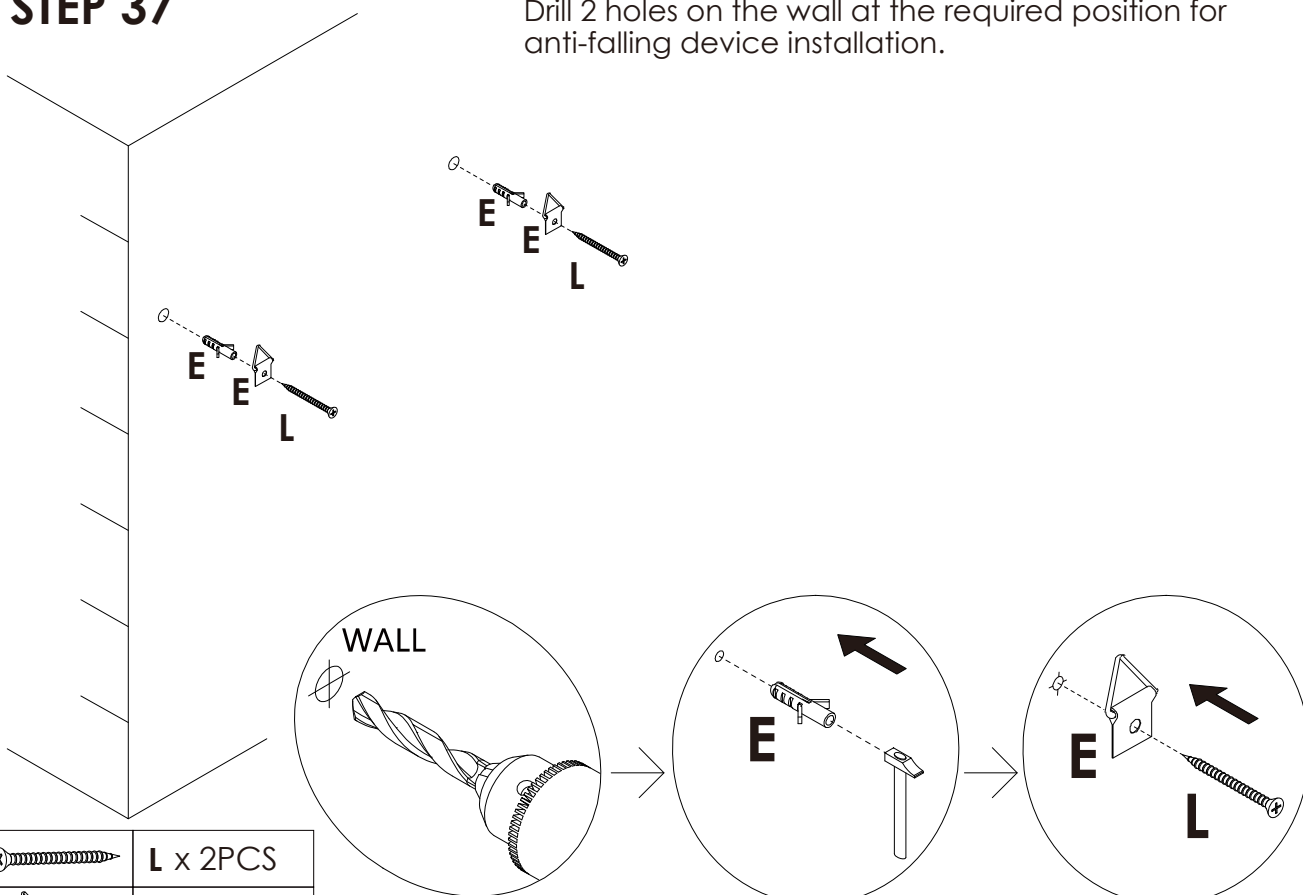
Use the "O" screw to lock the "E" Part on the back of the "33" board.

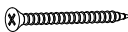



	O x 2PCS
	E x 2PCS

STEP 37

Drill 2 holes on the wall at the required position for anti-falling device installation.

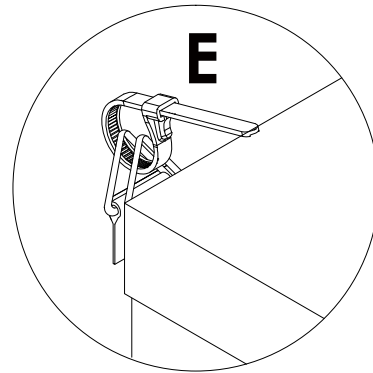
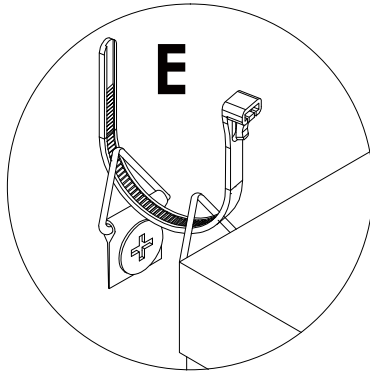
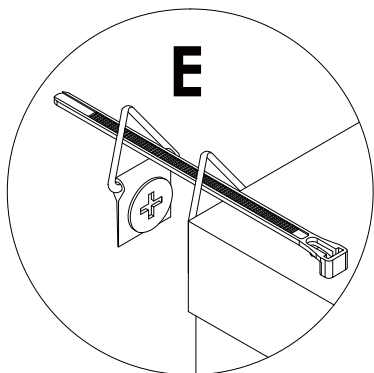
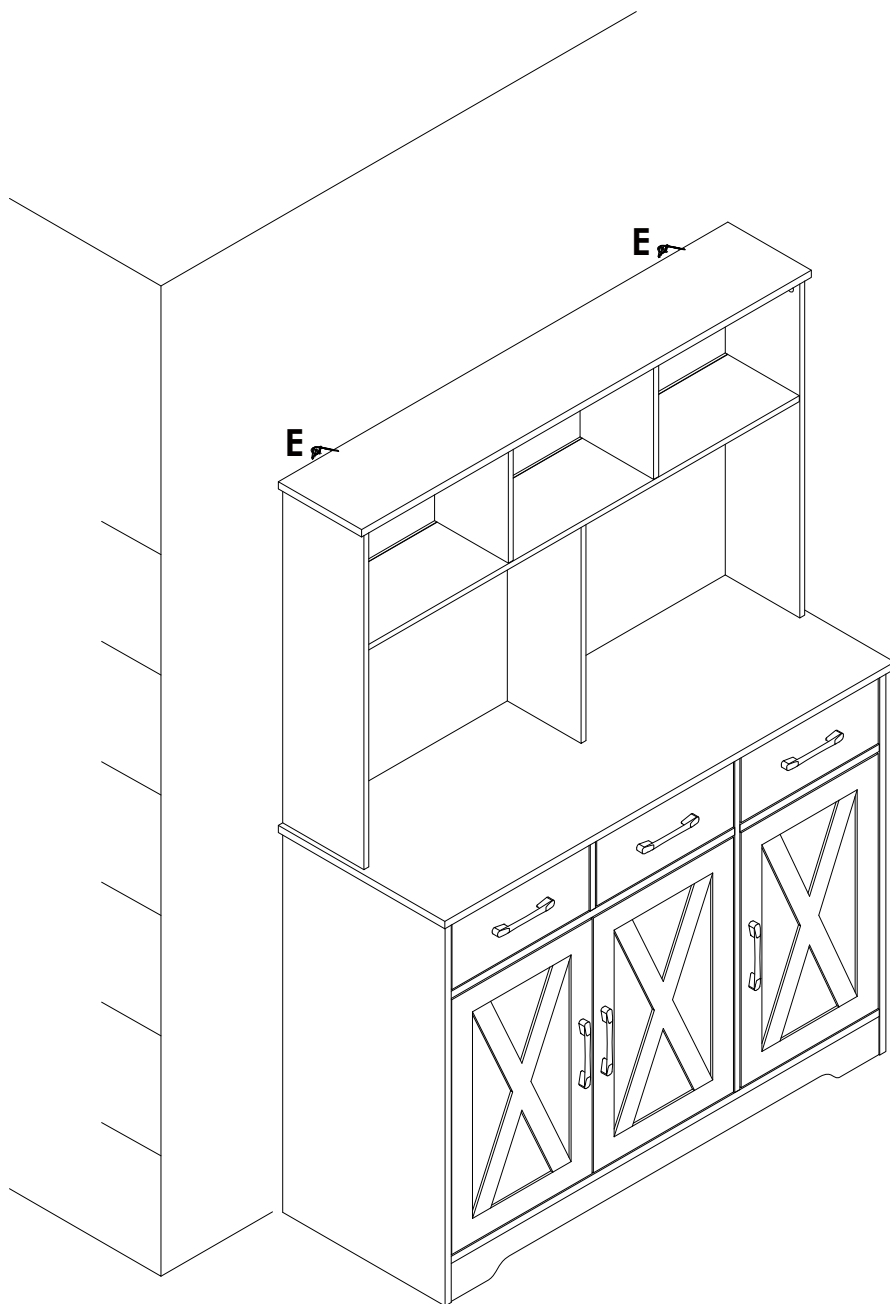


	L x 2PCS
	E x 2SETS

Assembly Steps(EN) / Montageschritte(DE)

STEP 38

After that, move the cabinet to the corresponding position, then use the part "E" to pass through the part "E", and tighten it. The installation of the anti-falling device is completed.

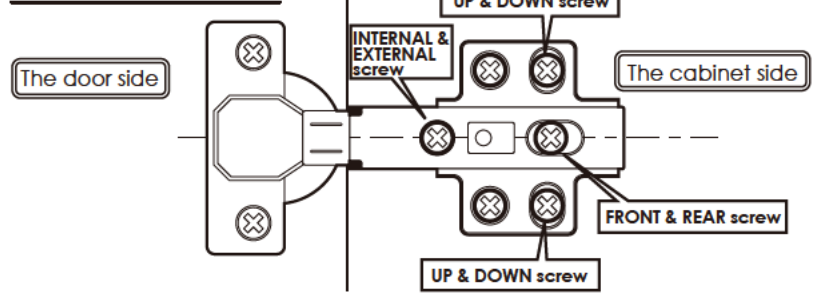


 **E** x 2PCS

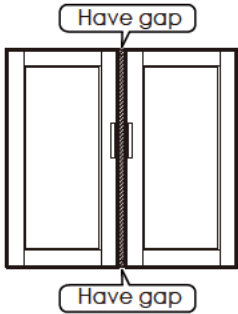
The ways to adjust the door

- Before adjusting the hinge, please check whether the cabinet is skewed.
- If the skew can not be repaired, please remove the anti-tipping device first, then adjust the cabinet to vertical position.
- Please adjust the hinge with the door open.
- Please operate it with more than 2 people, one person holds the door and the other one adjusts the screw.

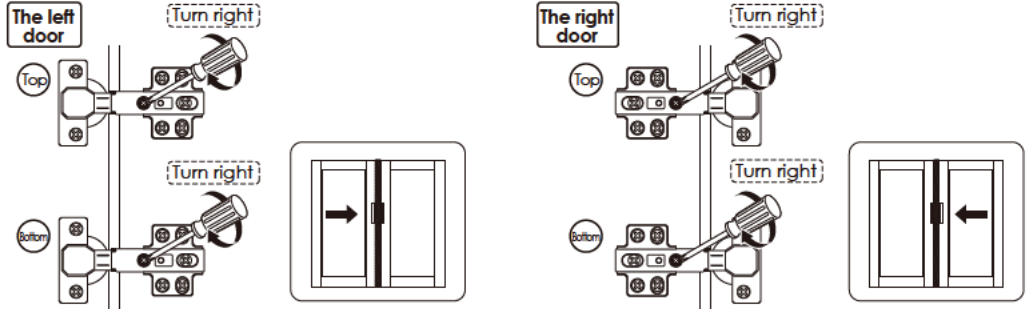
Components Name



Obvious gaps between doors or Doors don't look closed

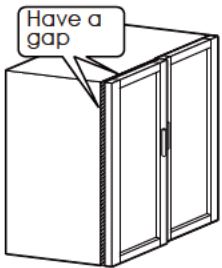


- 1 Turn "internal & external screw" to the right can make the door approach inside. Please adjust the doors little by little.



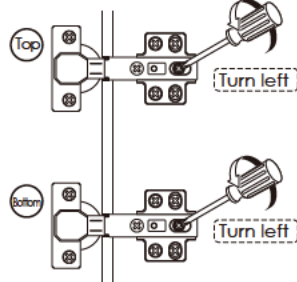
※ If the 2 doors are overlap, please turn the "internal & external screw" to the left.

When door is crooked



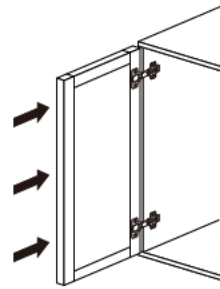
Please take the following steps to adjust first.

- 1 Rotate the "front and rear screws" to the left

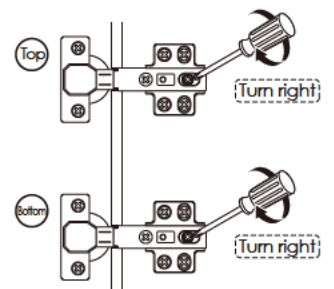


※ After adjusting the "front and rear screw", the door still does not change, please turn the "internal & external screw" to the right slightly.

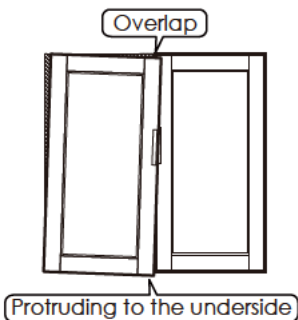
- 2 Push the door to the cabinet



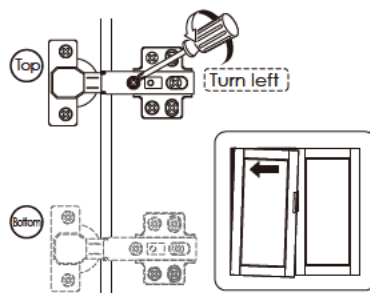
- 3 Rotate the "front and rear screws" to the right



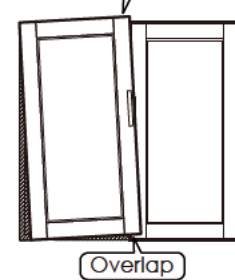
When door is leaning



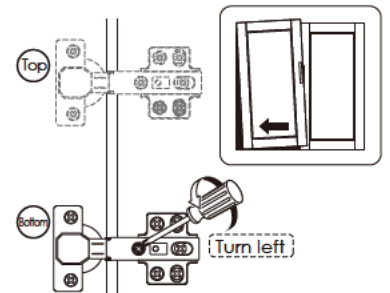
- 1 Turn "internal & external screw" to the left can make the top of the door tilted outward.



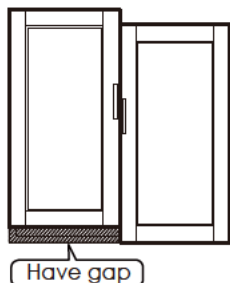
Protruding to the upside



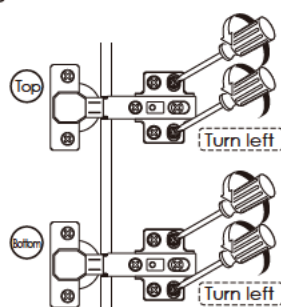
- 1 Turn "internal & external screw" to the left can make the bottom of the door tilted outward.



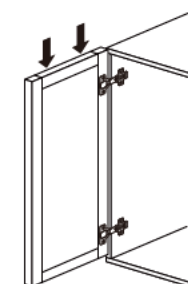
When the door is higher on top



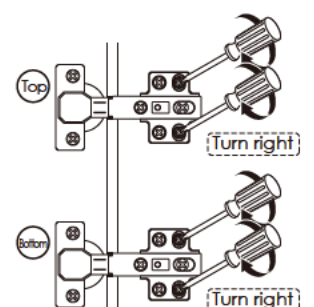
- 1 Turn "up & down screw" to the left



- 2 Lower the door's height so that 2 doors are of the same height.



- 3 Turn "up & down screw" to the right



※ If the door is lower on bottom, please lift up the left door slightly on step 2



WARNING



Children have died from furniture tipover. To reduce the risk of furniture tipover:

- **ALWAYS** install Anti-tip device provided.
- **NEVER** put a TV on this product.
- **NEVER** allow children to stand, climb or hang on any drawers, doors, or shelves.
- **NEVER** open more than one drawer at a time.
- Place heaviest items in the lowest drawers.



***This is a permanent label.
Do not remove!***