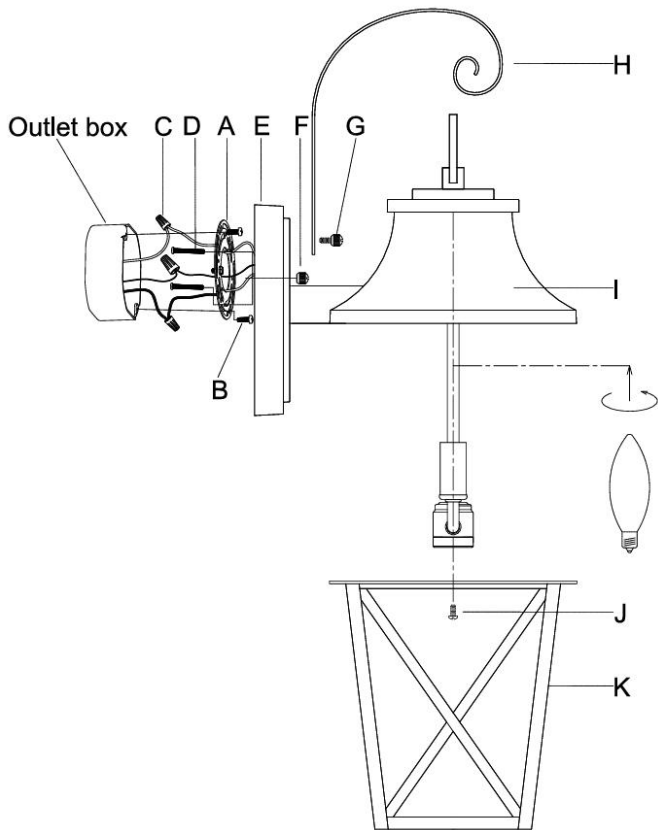


INSTALLATION INSTRUCTIONS

WARNING! SHUT POWER OFF AT FUSE OR CIRCUIT BREAKER.

Fig. 1



HANGING THE FIXTURE (Fig. 1)

1. Shut off the power at the circuit breaker and remove the old fixture, including the mounting hardware.
2. Carefully unpack your new fixture and lay out all the parts on a clear area. Take care not to lose any small parts necessary for installation.
3. Install the roll (H) to the back plate (E) by locking the screw (G) and let the roll (H) across the loop.
4. Thread the 2 mounting screws (D) into the mounting plate (A) spaced the same distance apart as the holes in the fixture back plate. (You can adjust the length of the screws if necessary.)
5. Attach the mounting plate (A) to the outlet box (not supplied) with mounting screws (B). Ground Wire must face out.

CONNECTING THE WIRES (Fig. 2).

6. Connect the electrical wires as shown in Fig.2. Making sure that all wire connectors are secured. If your outlet box has a ground wire (green or bare copper), connect the fixture's ground wire to it. Otherwise, connect the fixture's ground wire directly to the circular strap using the green screw provided.

COMPLETING THE INSTALLATION (Fig.1)

7. Align the fixture back plate (E) to mounting plate (A) and secure with cap nuts (F).
8. Take off the cage (K) by loosening sets screws (J); install the bulb (E12 Candelabra, not included) in accordance with the fixture's specification. Secure the cage (K) back to the fixture (I) by set screws (J)
9. To prevent moisture from entering the outlet box and causing a short, use clear caulking (i.e. Indoor/Outdoor Silicone Sealant) to outline the outside of fixture back plate where it meets the wall leaving a space at bottom to allow moisture a means to escape. (Fig. 3)

**DO NOT EXCEED THE MAXIMUM WATTAGE RATING!
(NE PAS DEPASSER LA PUISSANCE NOMINALE
MAXIMALE!)**

Your installation is now completed. Return power to the junction box and test the fixture.

Fig. 2

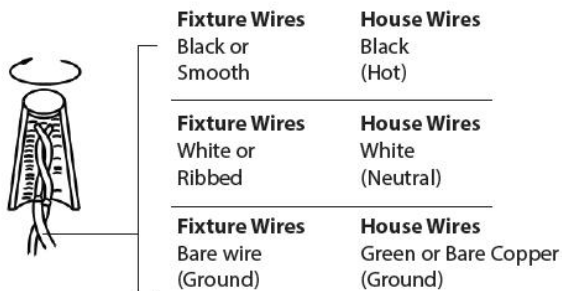


Fig.3 Sealing

