

ASSEMBLY INSTRUCTIONS

BEFORE YOU START:

1. Check the parts against the parts list to make sure all items are present.
2. Assemble your furniture on a soft, flat surface to avoid scratching the finish.
3. **CAUTION:** Do not over tighten screws, nuts or bolts during assembly.
4. Your furniture may require occasional tightening.

INSTRUCTIONS:

1. Turn the case top upside down on a clean soft surface .
2. Screw hanger bolt on Bun foot into spring insert on bottom table. Secure all bun feet and make sure they align together. (See Figure 1)

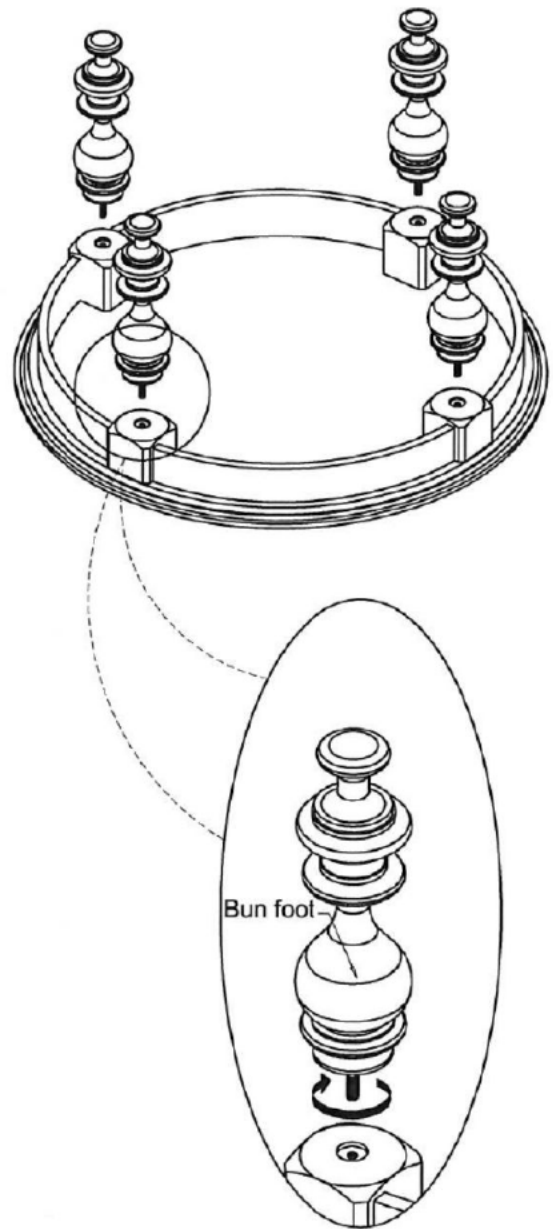


Figure 1