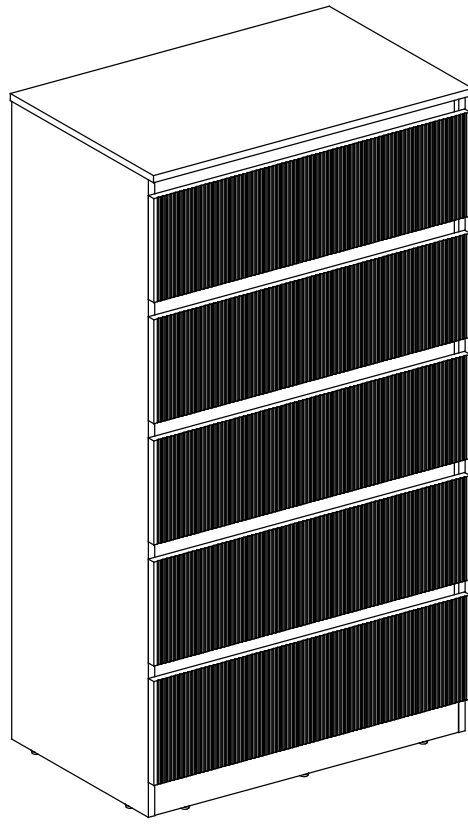


Assembly Instruction of Sideboard



Trouble shooting:

Missing/Wrong/Broken parts and installation issues



Send email with your question, pic and order number. to us



Respond within 24 hours



Issue resolved



Safety and Care Advice

Important – Please read these instructions fully before starting assembly

- Check you have all the components and tools listed on the following pages.
- Remove all fittings from the plastic bags and separate them into their groups.
- Keep children and animals away from the work area, small parts could choke if swallowed.
- Make sure you have enough space to layout the parts before starting.

- During assembly do not stand or put weight on the product, this could cause damage.
- Assemble the item as close to its final position (in the same room) as possible.
- Assemble on a soft level surface to avoid damaging the unit or your floor.
- Parts of the assembly will be easier with 2 people.



power drill is set on a low torque setting.

- To reduce the likelihood of damaging your product please ensure that your

Care and maintenance

- Only clean using a damp cloth and mild detergent, do not use bleach or abrasive cleaners.
- From time to time check that there are no loose screws on this unit.
- This product should not be discarded with household waste. Take to your local authority waste disposal centre.

Handy Hints

- Assemble all parts and bolts loosely during assembly, only once the product is complete should you fully tighten the bolts
- Regularly check and ensure That all bolts and fittings are tightened properly.

! WARNING

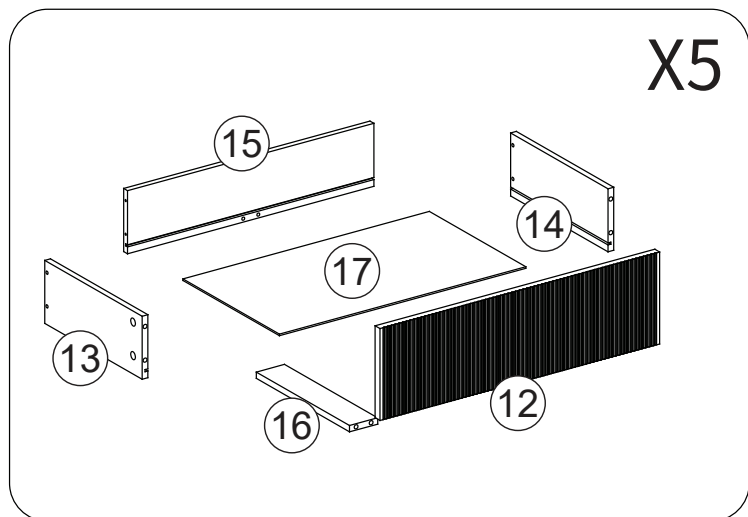
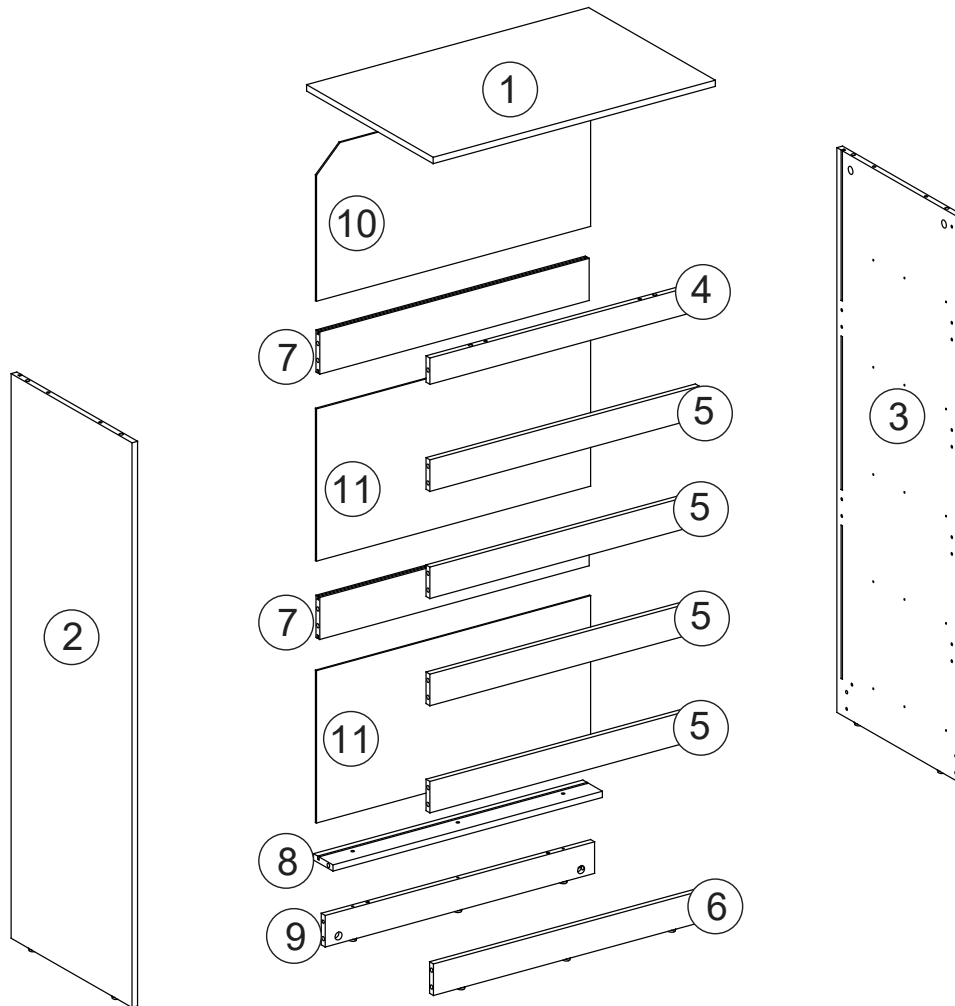


Children have died from furniture tipover. To reduce the risk of furniture tipover:

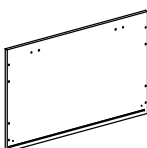
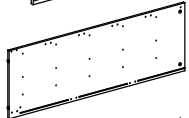
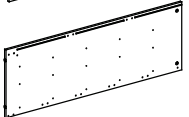




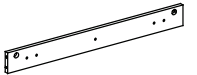

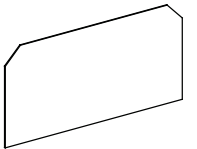

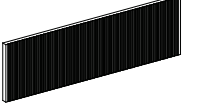
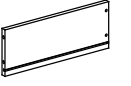
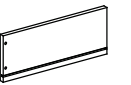
- ALWAYS install Anti-tip device provided.
- NEVER put a TV on this product.
- NEVER allow children to stand, climb or hang on drawers, doors, or shelves.
- NEVER open more than one drawer at a time.
- Place heaviest items in the lowest drawers.

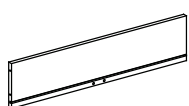

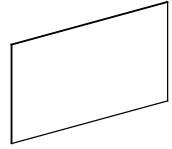
This is a permanent label.

Do not remove!

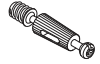






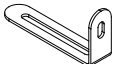










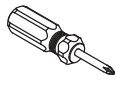

Components

-  **1** x1
-  **2** x1
-  **3** x1
-  **4** x1
-  **5** x4
-  **6** x1
-  **7** x2
-  **8** x1
-  **9** x1
-  **10** x1
-  **11** x2
-  **12** x5
-  **13** x5
-  **14** x5

-  **15** x5
-  **16** x5
-  **17** x5

Screws & Tools

A		6*35	X70+2
B		Ø15*10	X70+2
C		Ø6*30	X10+1
D		3.5*12	X60+5
E		5*38	X33+2
F	 3x14mm F1	 F2	X12
G	1		X2
	2		4*12 X2
	3		X2
	4		4*38 X2

H		12"	X5
		12"	X5
		12"	X5
		12"	X5
J		Ø20	X40
			X1
	 M3		X1

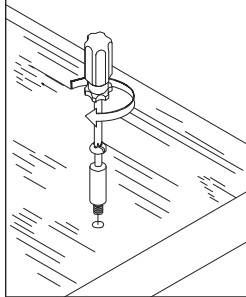
Check all the components & screws before assembly.
Do not install in case part is missing, contact us to get.

Using Camlocks

Connect the male camlock as directed in the assembly instructions using a screwdriver.

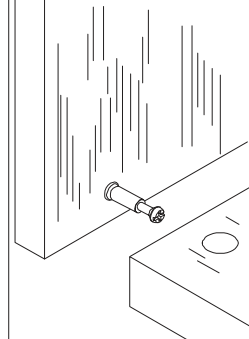
1

DO NOT OVER TIGHTEN.
NE PAS SERRER EXCESSIVEMENT.



Push the male camlock into the entry hole.

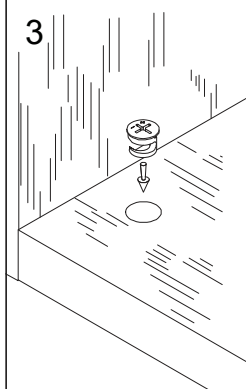
2



Insert the female camlock as shown in the instruction.

Note: ensure that the arrow on the top of the camlock points towards the entry hole for the male camlock.

3

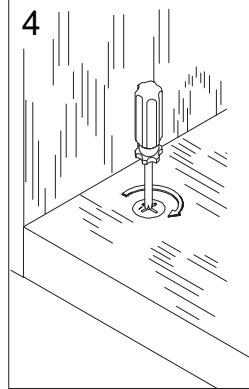


Turn the female camlock clockwise with a screwdriver.

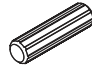
You should feel a click when the camlock is locked in place.

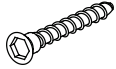
The joint is now secure.

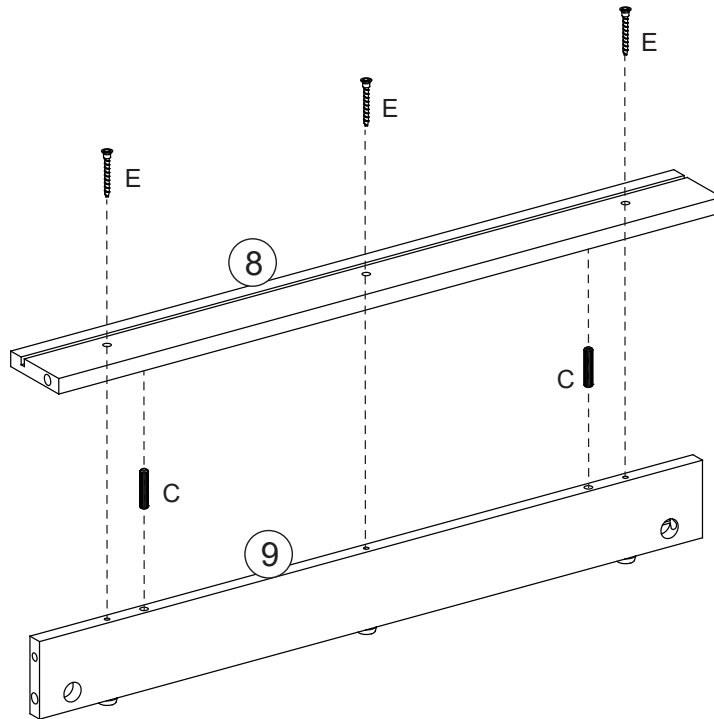
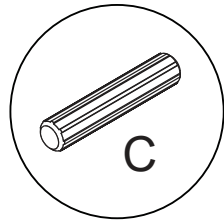
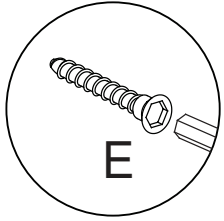
4



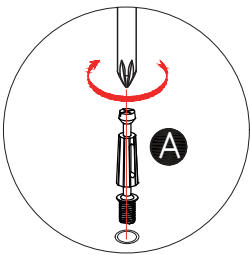
Step:1

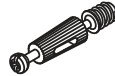
	
Ø6X30mm	
C	X2

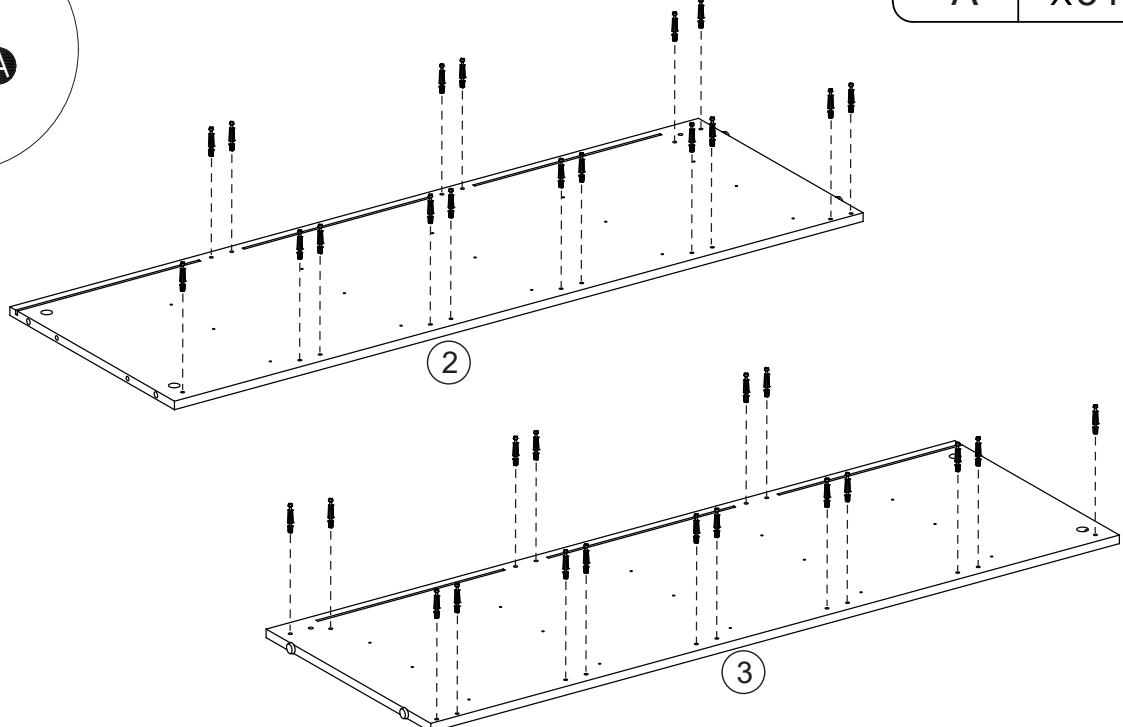
	
Ø5x38mm	
E	X3




Step:2





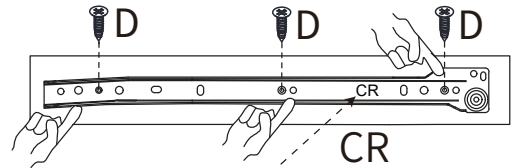
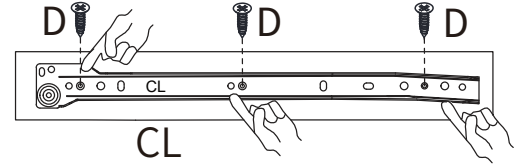
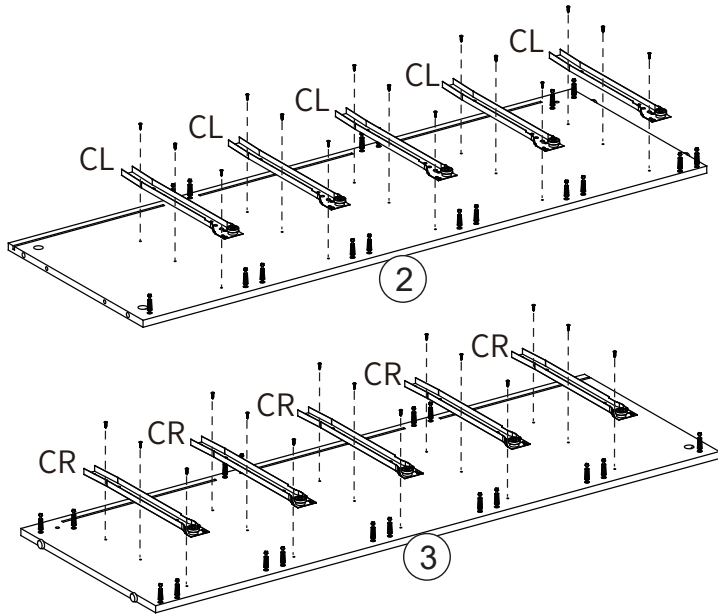
	
Ø6.5X35mm	
A	X34



Step:3

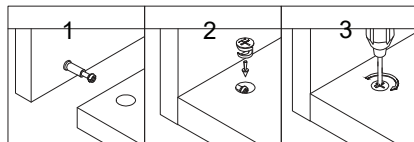
	
Ø3.5x12mm	
D	X30


	
CL	CR
H	X5

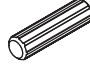


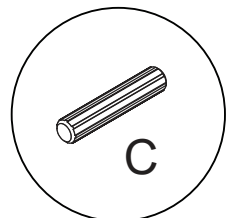
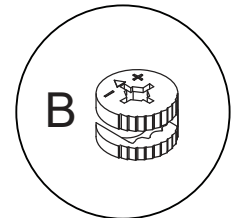
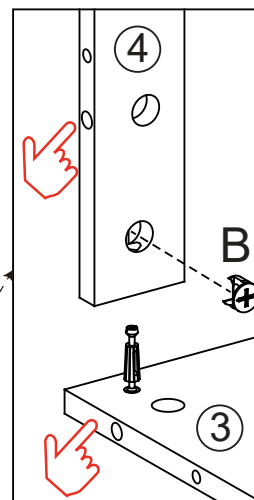
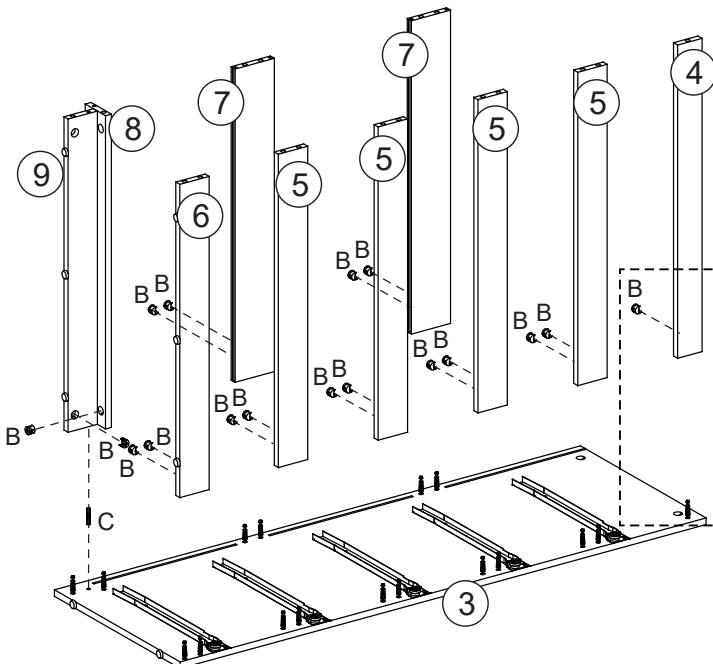
When installing the track, it is necessary to use the markings "CL" and "CR" on the track itself.

Step:4

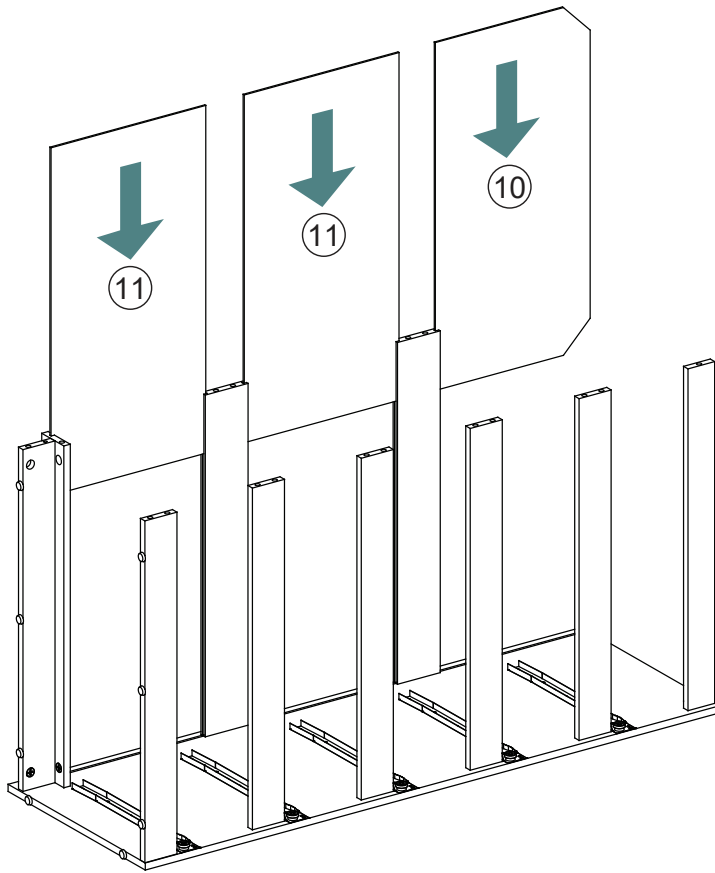


	
Ø15X9.5mm	
B	X17

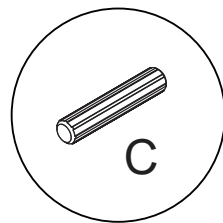
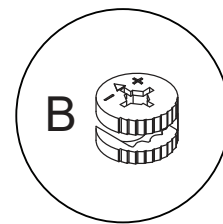
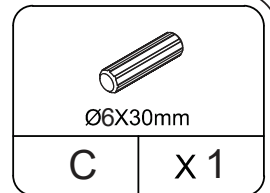
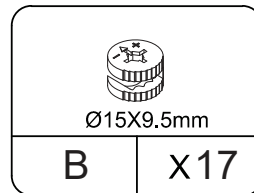
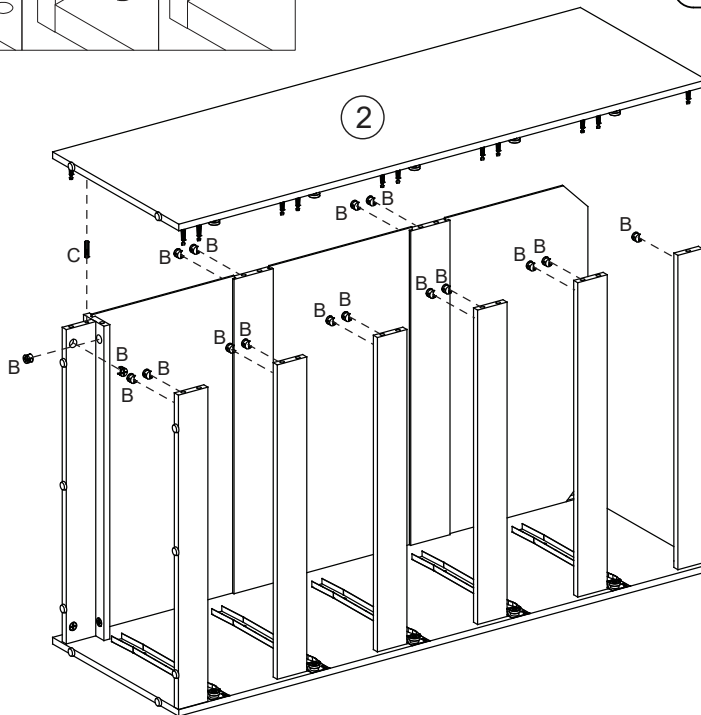
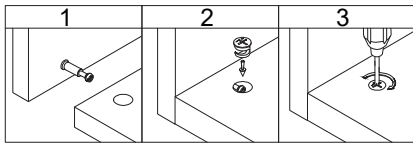
	
Ø6X30mm	
C	X1



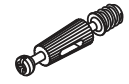
Step:5



Step:6



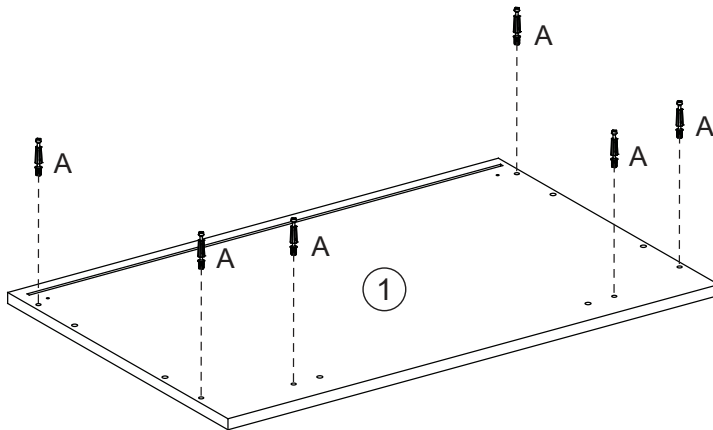
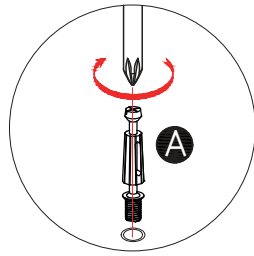
Step:7



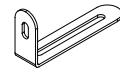
Ø6.5X35mm

A

X6



Step:8



G1

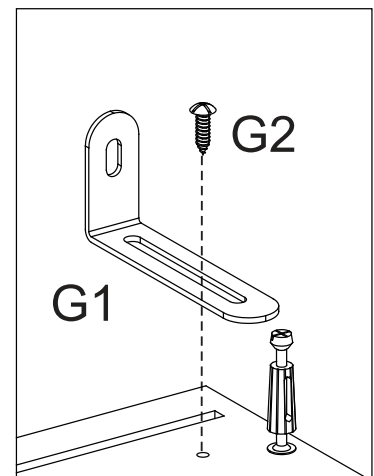
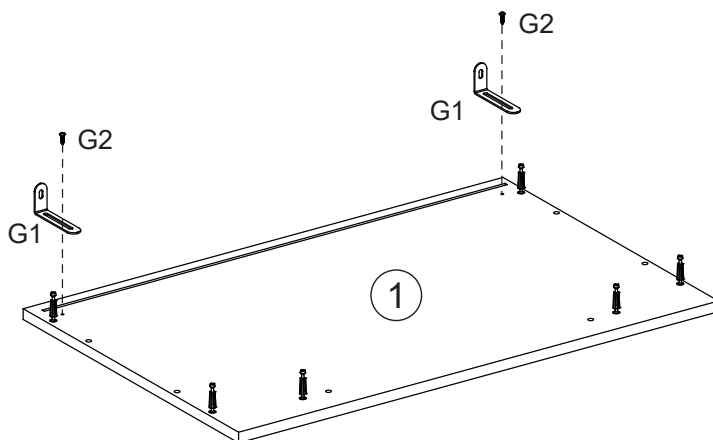


Ø4x12 mm

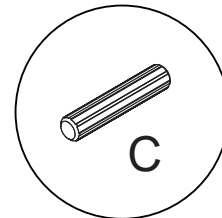
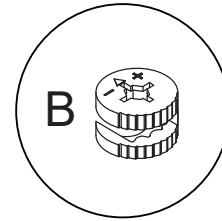
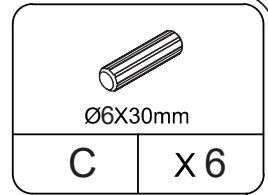
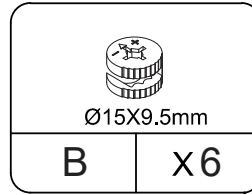
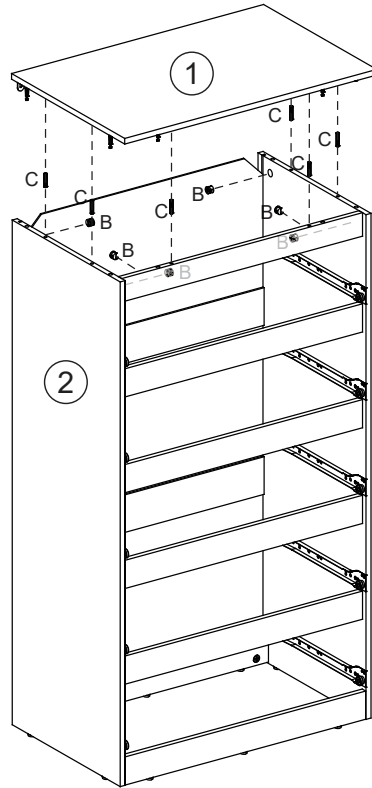
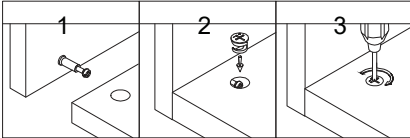
G2

G

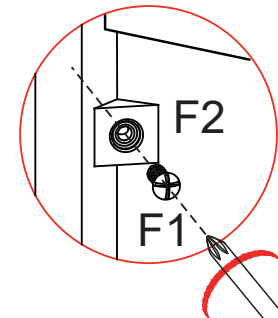
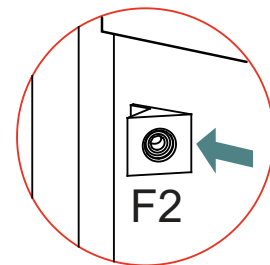
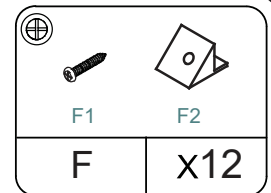
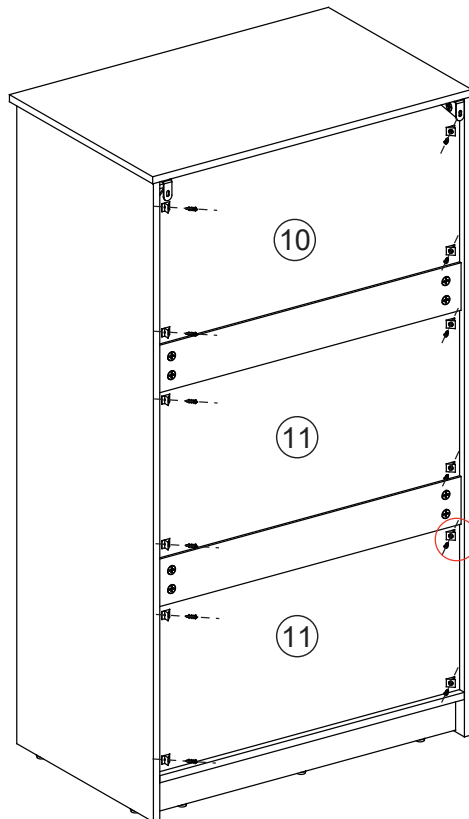
X2



Step:9

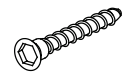


Step:10



Step:11

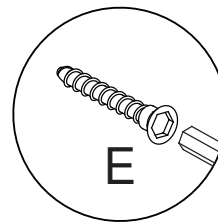
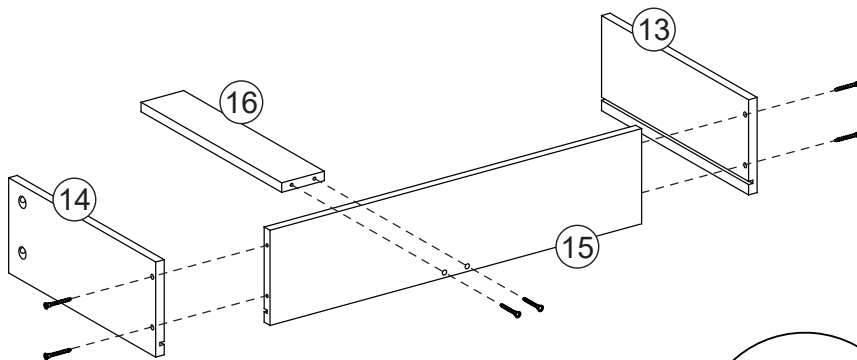
X5



Ø5x38mm

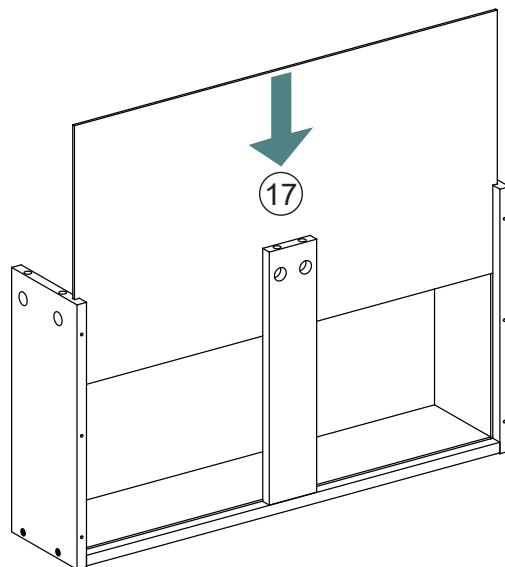
E

X30



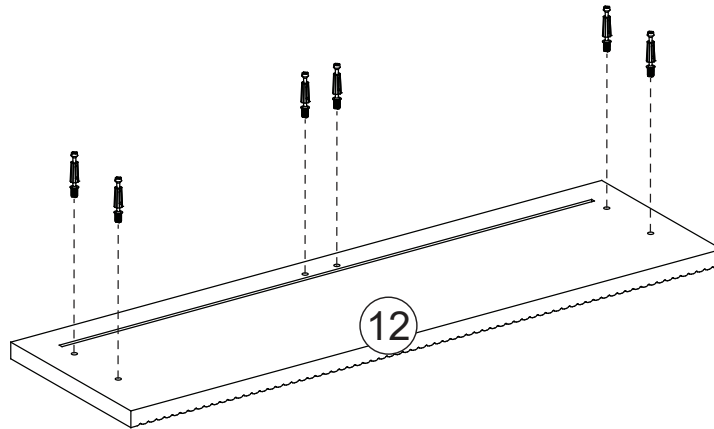
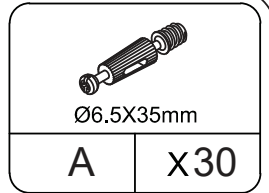
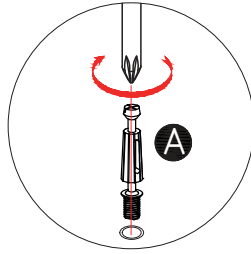
Step:12

X5

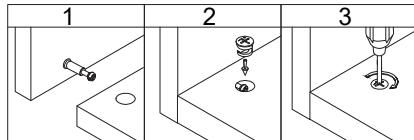


Step:13

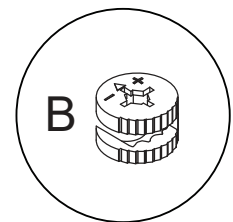
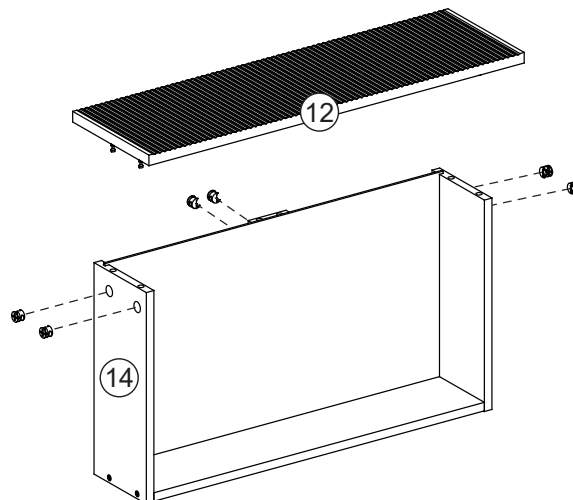
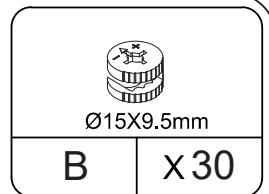
X5



Step:14







X5

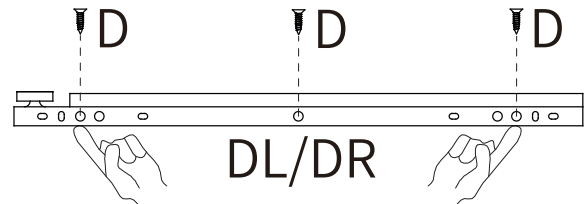
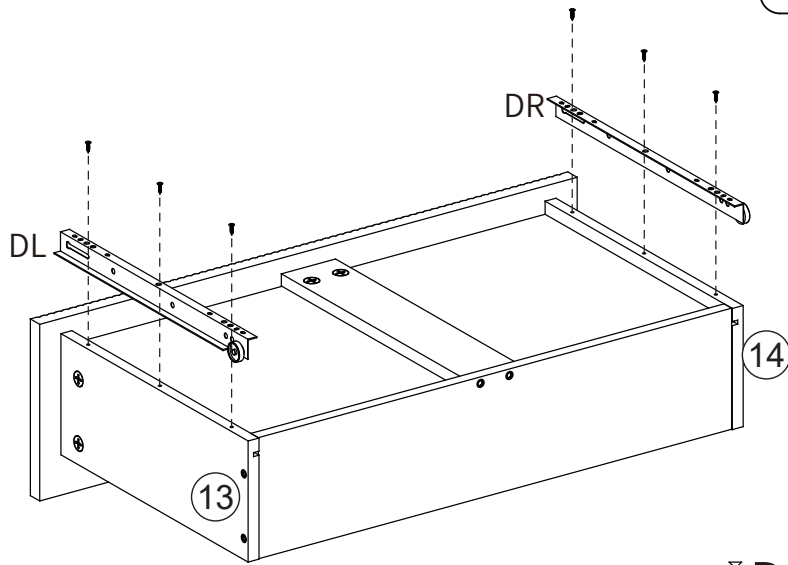


Step:15


X5

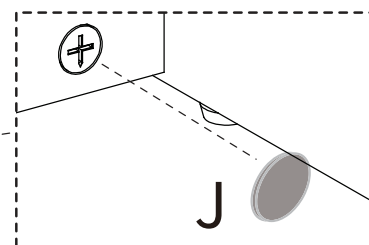
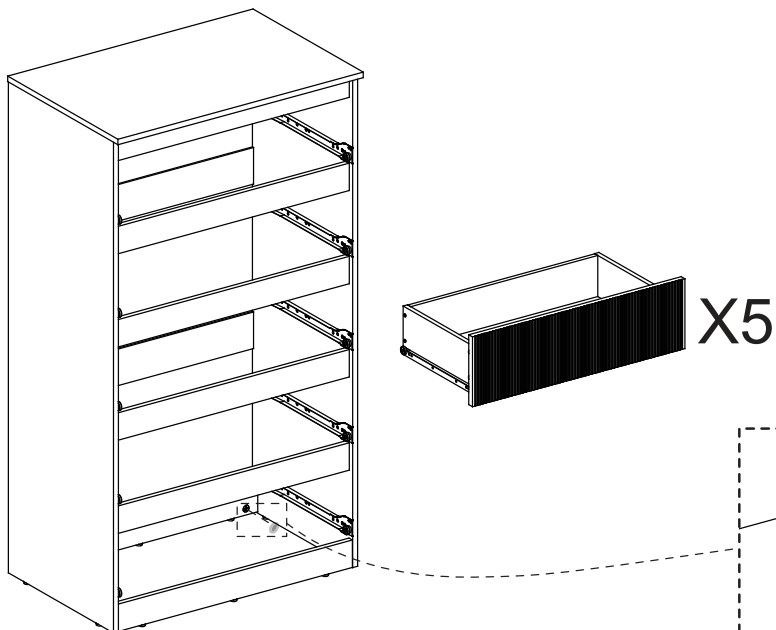
	
	
Ø3.5x12mm	
D	X30

	
DL	DR
H	X5





Step:16

	
Ø20	
J	X40

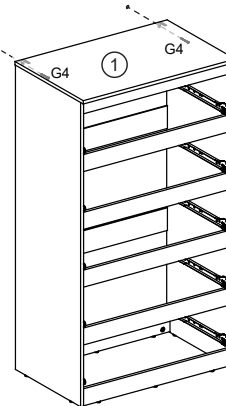
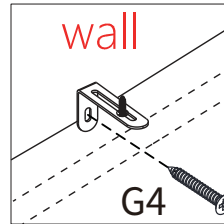
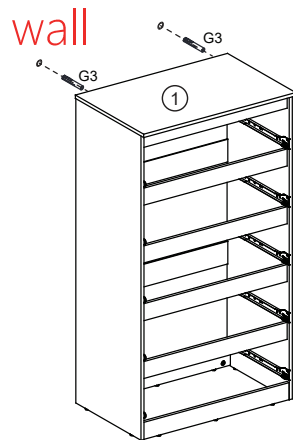
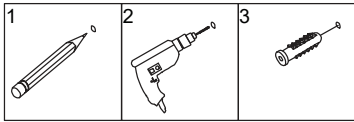


Step:17

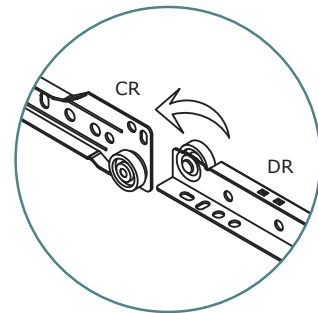
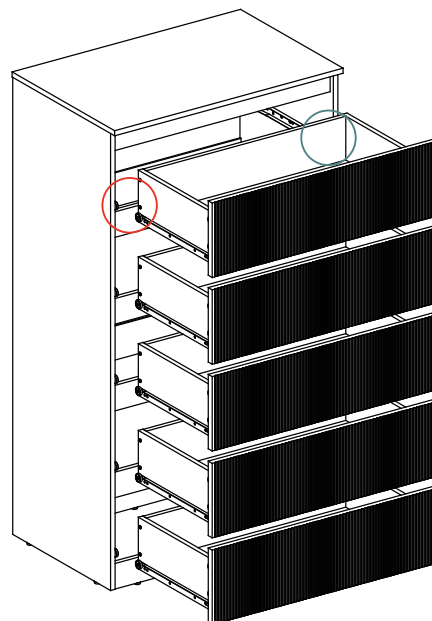
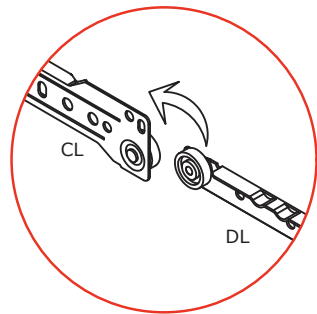
 G3	 Ø4x38 mm G4
G	X2

WARNING

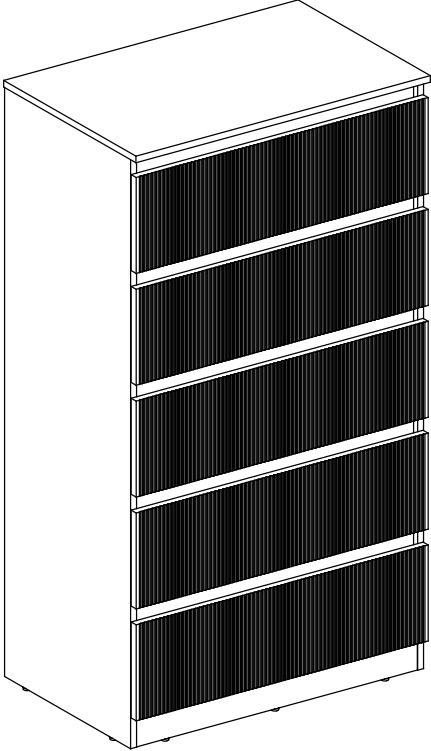
Serious or fatal injuries can occur from furniture tipping over, to prevent the furniture from tipping over we recommend that it is permanently fixed to the wall. Wall anchor and hardware are included with this product, please make sure hardware is suitable for your walls before installing, as different wall materials may require different types of anchors.



Step:18



Step:19



A Guide to Wall Mounting & Fixings

Important note:

If plastic wall plugs (rawl plugs) are supplied with your product, e.g.:



- these are only suitable for use in masonry walls.

If you are in any doubt about the correct wall plugs for your wall, seek professional advice.


Failure of the product due to using the incorrect fixings is the responsibility of the installer.



Important: when drilling into walls always check that there are no hidden wires or pipes etc.

Make sure that the screws and wall plugs being used are suitable for supporting your unit. Consult a qualified tradesperson if you are unsure.

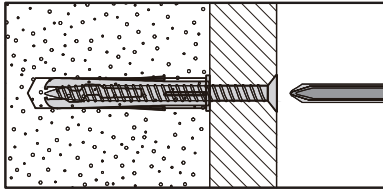
Hints:

- 1: General rule:  always use a larger screw and wall plug if you are not sure.
- 2: Ensure you use the recommended drill bit to match the wall plug and hole size.
- 3: Ensure you drill the hole horizontally; do not force the drill or enlarge the hole.
- 4: Take extra care when drilling high walls, ceilings and ceramic tiles. Ensure wall plugs are inserted beyond the thickness of the ceramic tiles to avoid the tiles splitting or cracking.
- 5: Ensure wall plugs are well fitted and are a tight fit in the drilled hole.

Types of walls

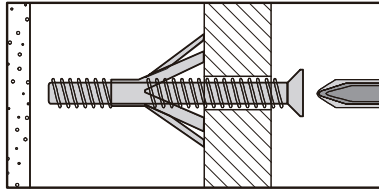
You can use one of the following types of wall plug if your walls are made of brick, breeze block, concrete, stone or wood.

No.1 "General Purpose" wall plug



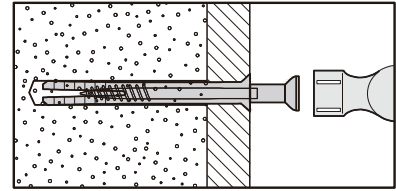
Generally aerated blocks should not be used to support heavy loads, use a specialist fitting in this case. For light loads, general purpose wall plugs can be used.

No.3 "Cavity Fixing" wall plug



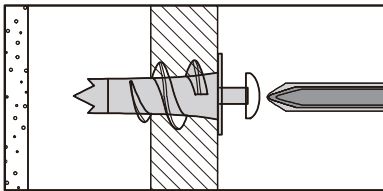
For use with plasterboard partitions or hollow wooden doors.

No.5 "Hammer Fixing" wall plug



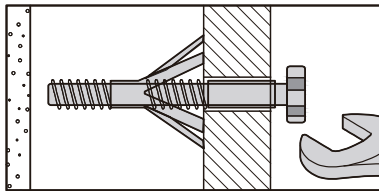
For use with walls stuck with plasterboard. The hammer fixing allows it to be fixed to the wall rather than the plasterboard. Always check the fixing is secure to the retaining wall.

No.2 "Plasterboard" wall plug



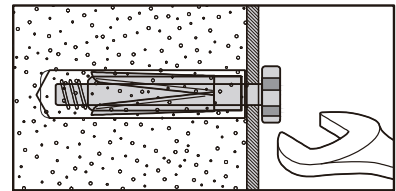
For use when attaching light loads onto plasterboard partitions.

No.4 "Cavity Fixing - Heavy Duty" wall plug



For use when fitting or supporting heavy loads such as shelving, wall cabinets and coat racks.

No.6 "Shield Anchor" wall plug - heavy loads



For use with heavier loads such as TV and HiFi speakers and satellite dishes etc.



Care & Maintenance

Safety: always check the fitting and location to ensure your safety in and around the home.

Fitting: from time to time check the fitting to ensure the wall plugs or screws do not become loose.

IMPORTANT SAFETY INFORMATION

Please carefully read the instructions and caution warnings below before assembling the product. Following this guide will ensure that you install, use and maintain the product properly.

- Please keep this installation and user manual/instructions for future reference in case you need to assemble the product.
- Do not assemble if you notice serious damage such as cracks or bends.
- During installation, please use work gloves for hand safety.
- Please assemble the unit on carpeted floor or the flat cardboard box to avoid scratching the surface or your floor while assembling on the floor.
- To assemble, please use the complimentary installation tools (Allen Wrench). Pay more attention to the direction of components at each steps.
- It is recommended that two people work together to assemble the product.
- Please do not tighten the screws up too much, just to 80% before you finish to make the installation go on successfully.

RETURN POLICY

We believe you will absolutely love your new product. But for some reason you want to return your item, please contact us within 30 days after receiving and ensure that the product which you want to return is in a good condition in the original box with all original certificates of purchase, manuals and accessories attached.

HOW TO MAINTAIN YOUR PRODUCT:

- Check the screws of the product are not loose from regular use.
- Do not use sharp instruments, rubbing alcohol, corrosive chemicals, or abrasive cleaners to clean the product.
- Do not keep the product in a damp environment for a long period of time. The damp environment may cause the iron components to rust and the plates to bulge and crack.

CAUTIONS!

How to find us?

Customer service