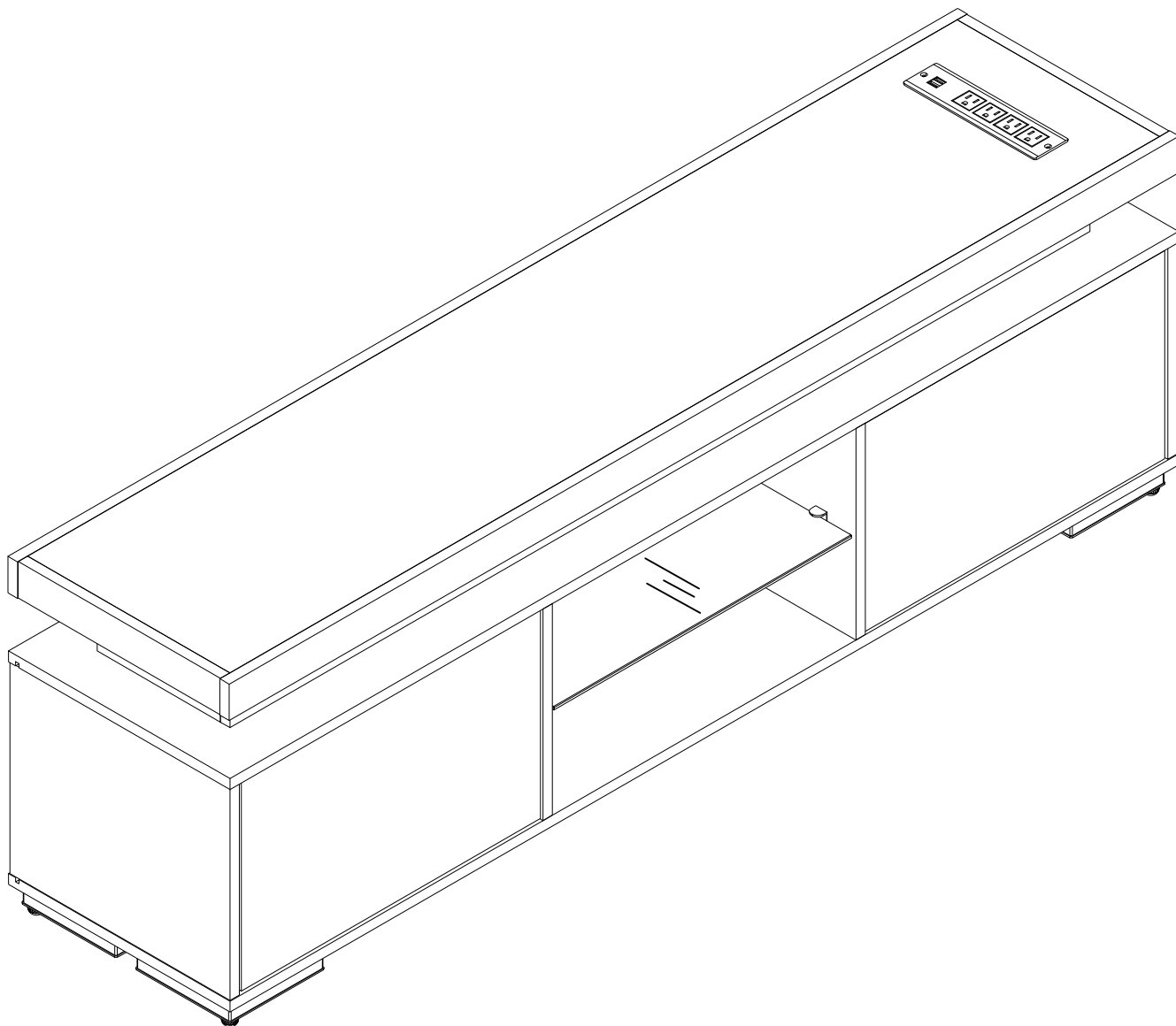


ASSEMBLY INSTRUCTIONS

GZPFK-V1

FTLFTS-6004

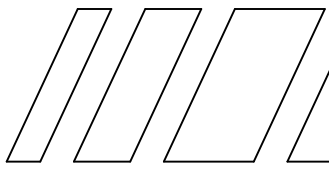
FTLFTS-6024



TV STAND

Notice:

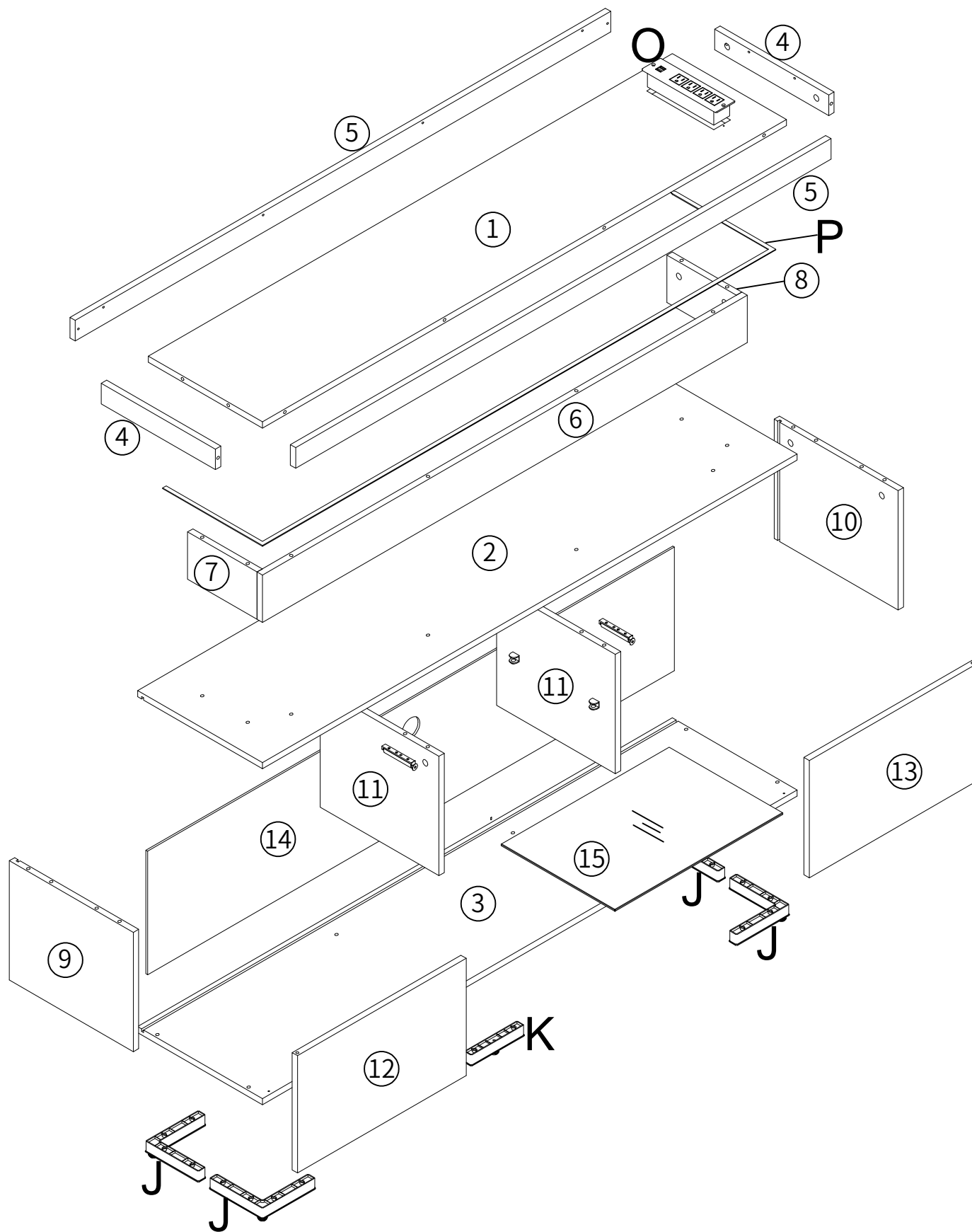
1. Follow the installation instructions. Please confirm all accessories are preset before installation.
2. Do not fully tighten the screws during initial assembly, Fully tighten screws only once all pieces which are correctly assembled.
3. If you encounter any problems during installation, please contact our customer service


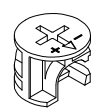


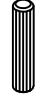

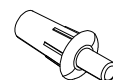
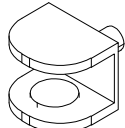
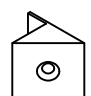
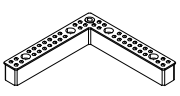
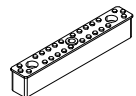
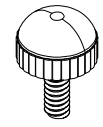
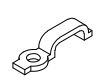
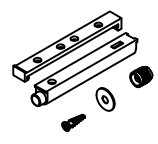

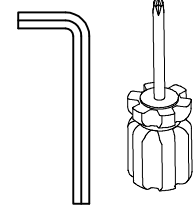


FTLFTS-6004/6024

① 	② 	③ 	
④ 	⑤ 	⑥ 	
x 2		x 2	
⑦ 	⑧ 	⑨ 	⑩
⑪ 	⑫ 	⑬ 	⑭
x 2			
⑮ 	⑯ 	O 	P

FTLFTS-6004/6024

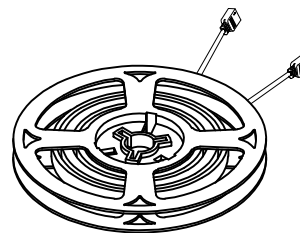
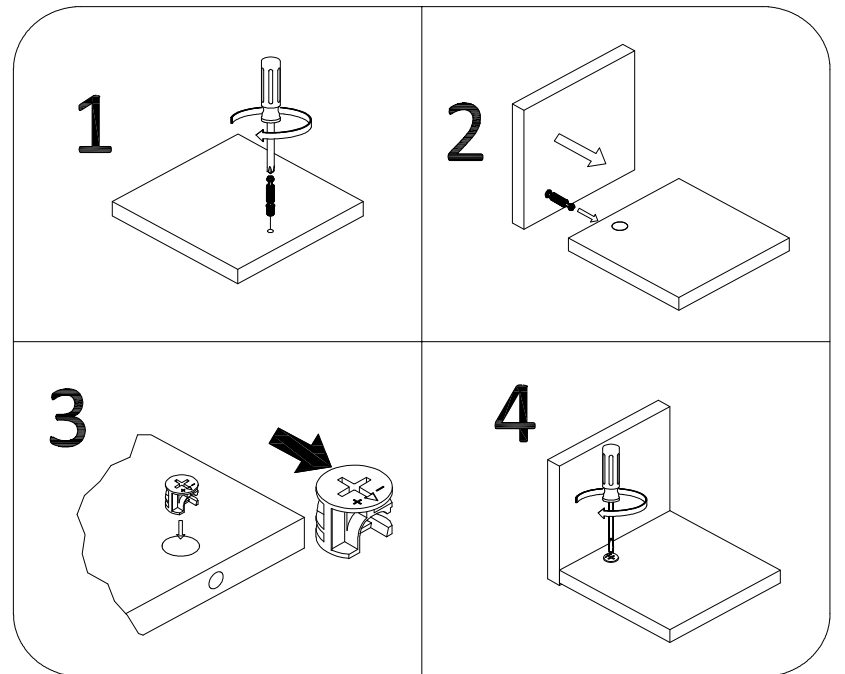
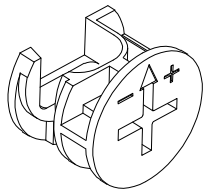
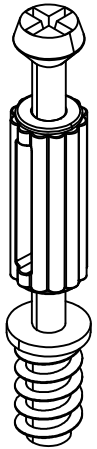


A M5X42  34 PCS	B Ø15X12  34 PCS	C M7X50  16 PCS	D M3.5X14  24 PCS	E Ø8X40  8 PCS	F M3.5X30  18 PCS	G  4 PCS	H  4 PCS
I  8 PCS	J  4 PCS	K  1 PCS	L  5 PCS	M  10 PCS	N  2 SETS	Q M6x25  6 PCS	4# 

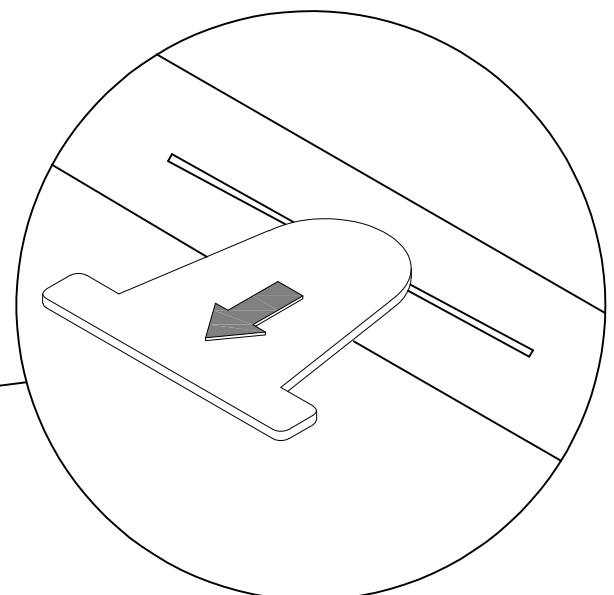
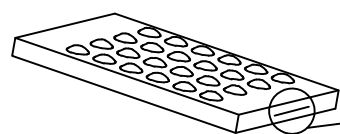
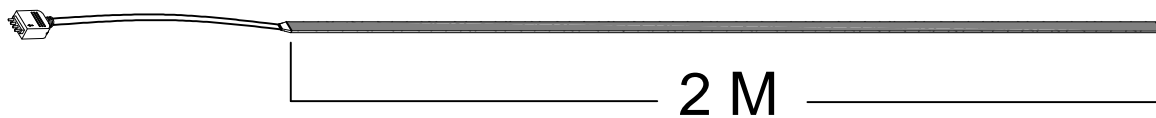
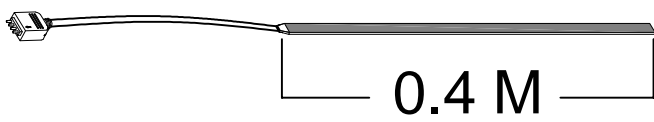
FTLFTS-6004/6024

Cam Lock Fastening System

This Cam Lock Fastening System will be used throughout the assembly process



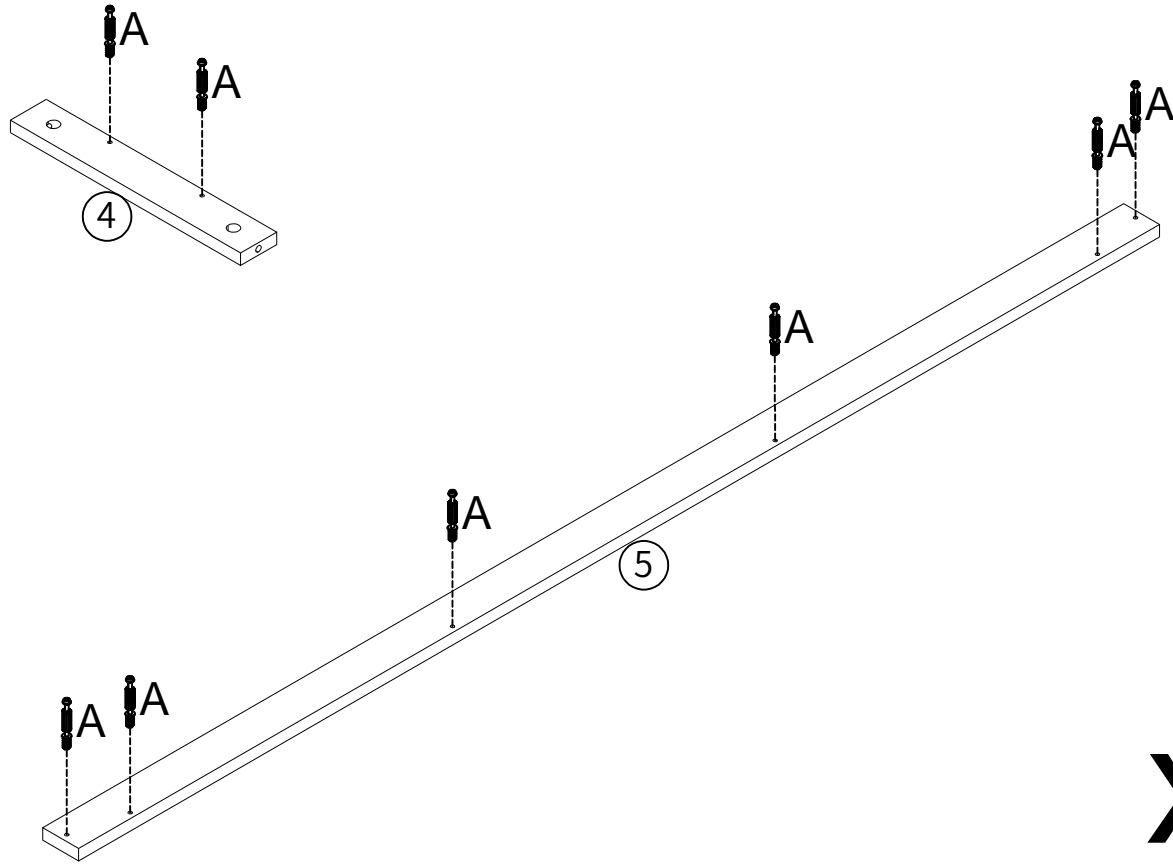
P



Remove the plastic piece before using the remote .
Read the manual for the remote control .

FTLFTS-6004/6024

1



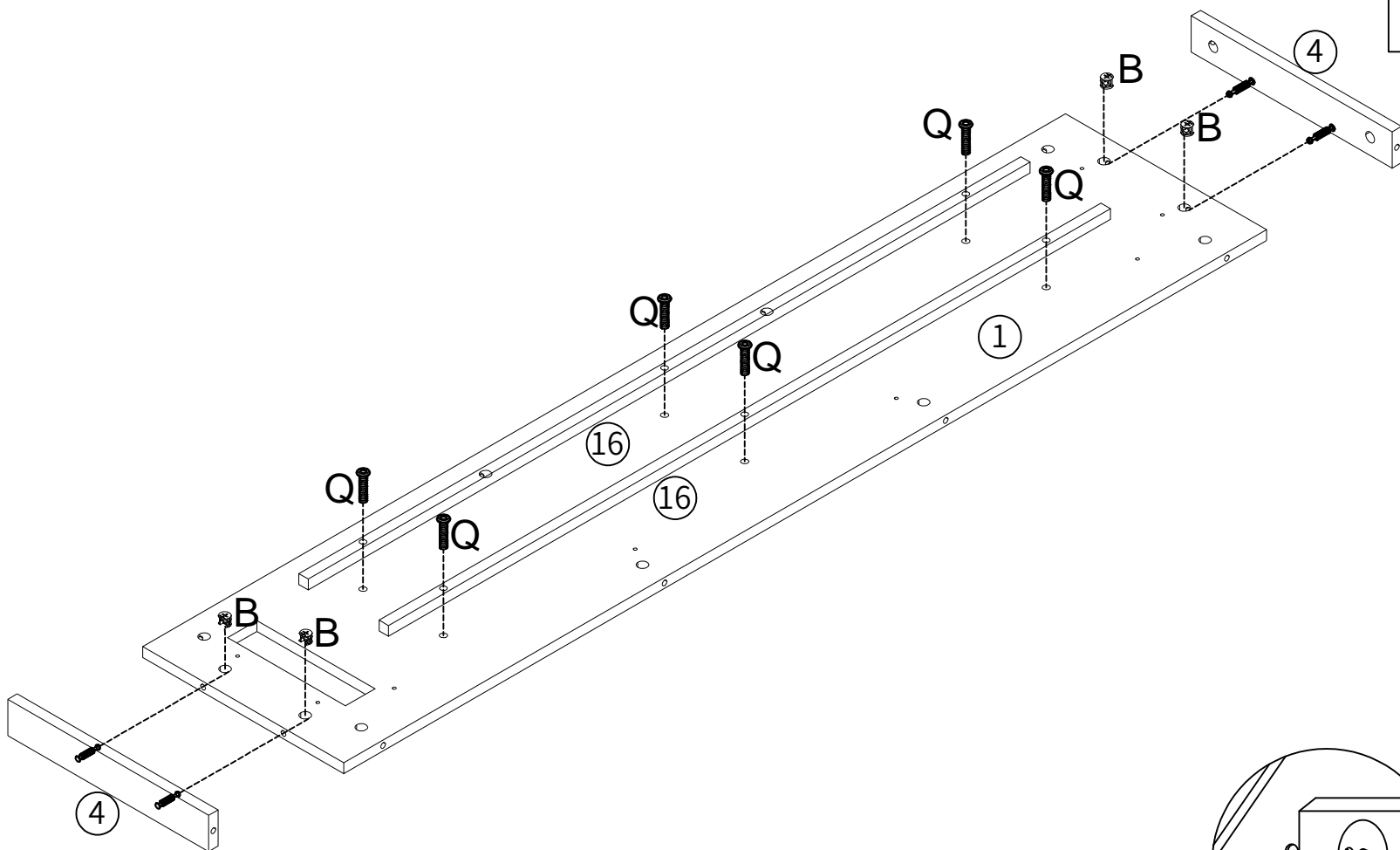
A



16 PCS

x 2

2



B

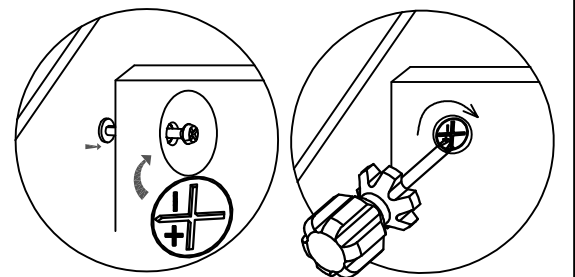


4 PCS

Q



6 PCS



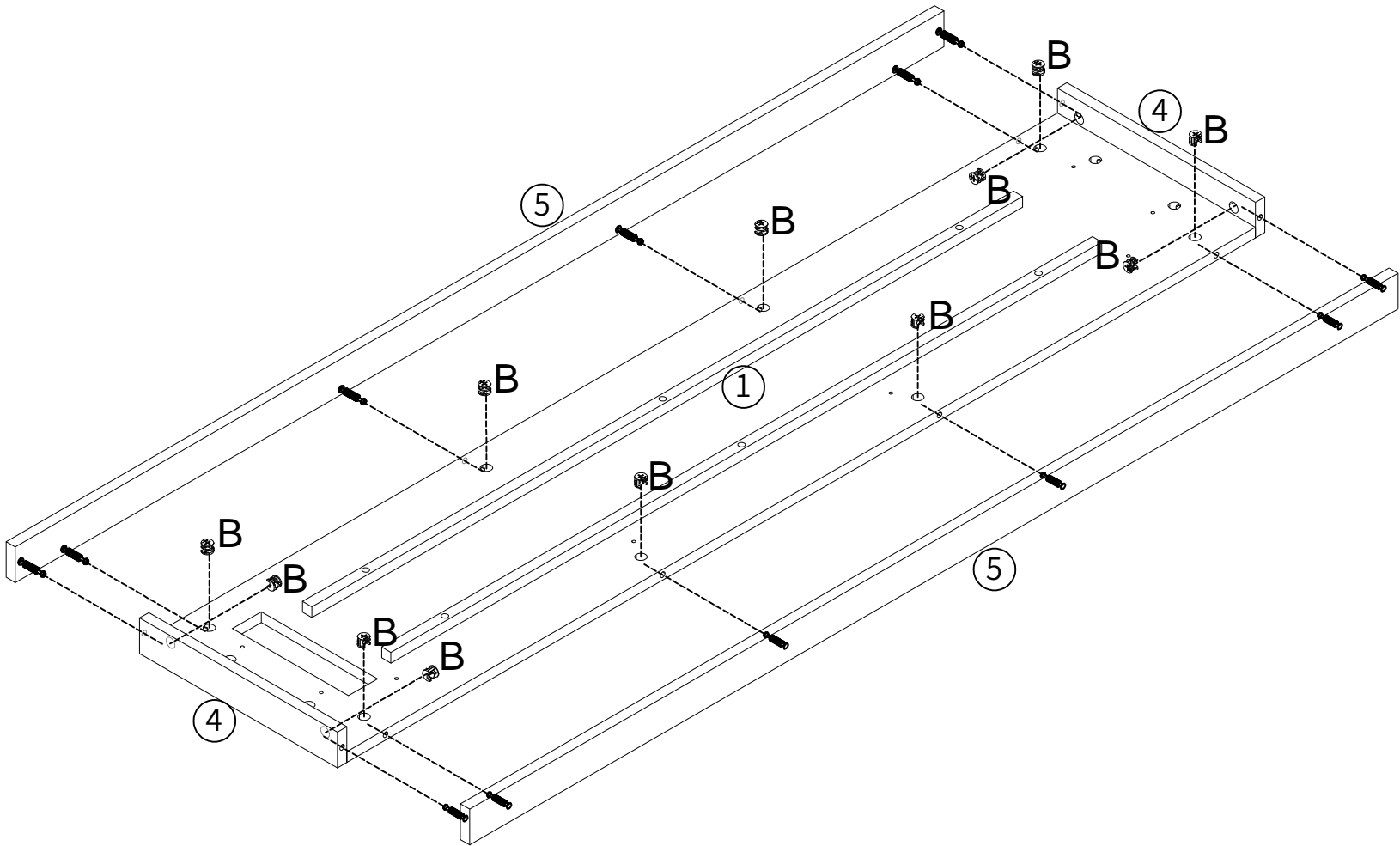
FTLFTS-6004/6024

3

B



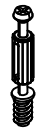
12 PCS



4

A

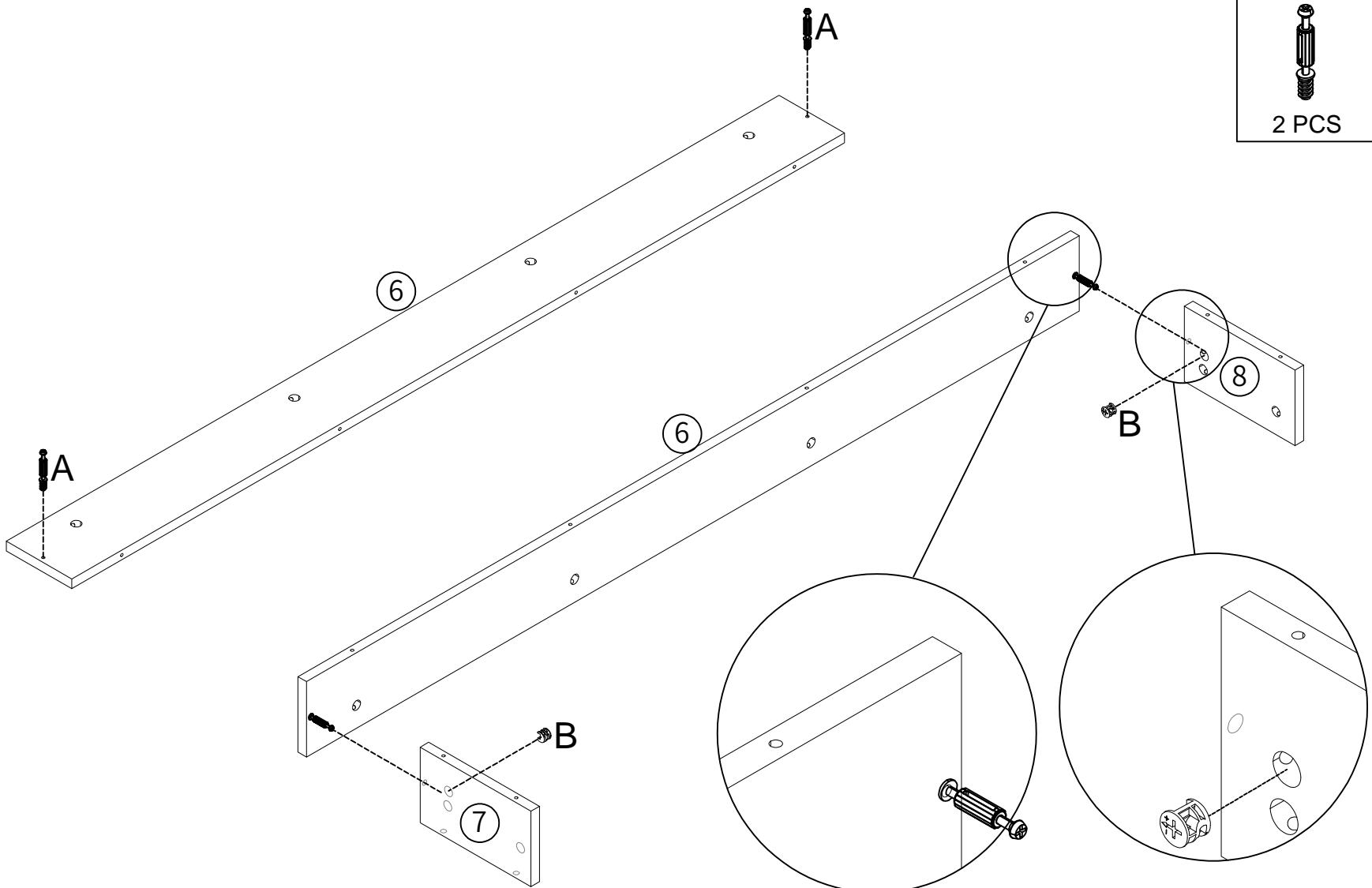
B



2 PCS



2 PCS






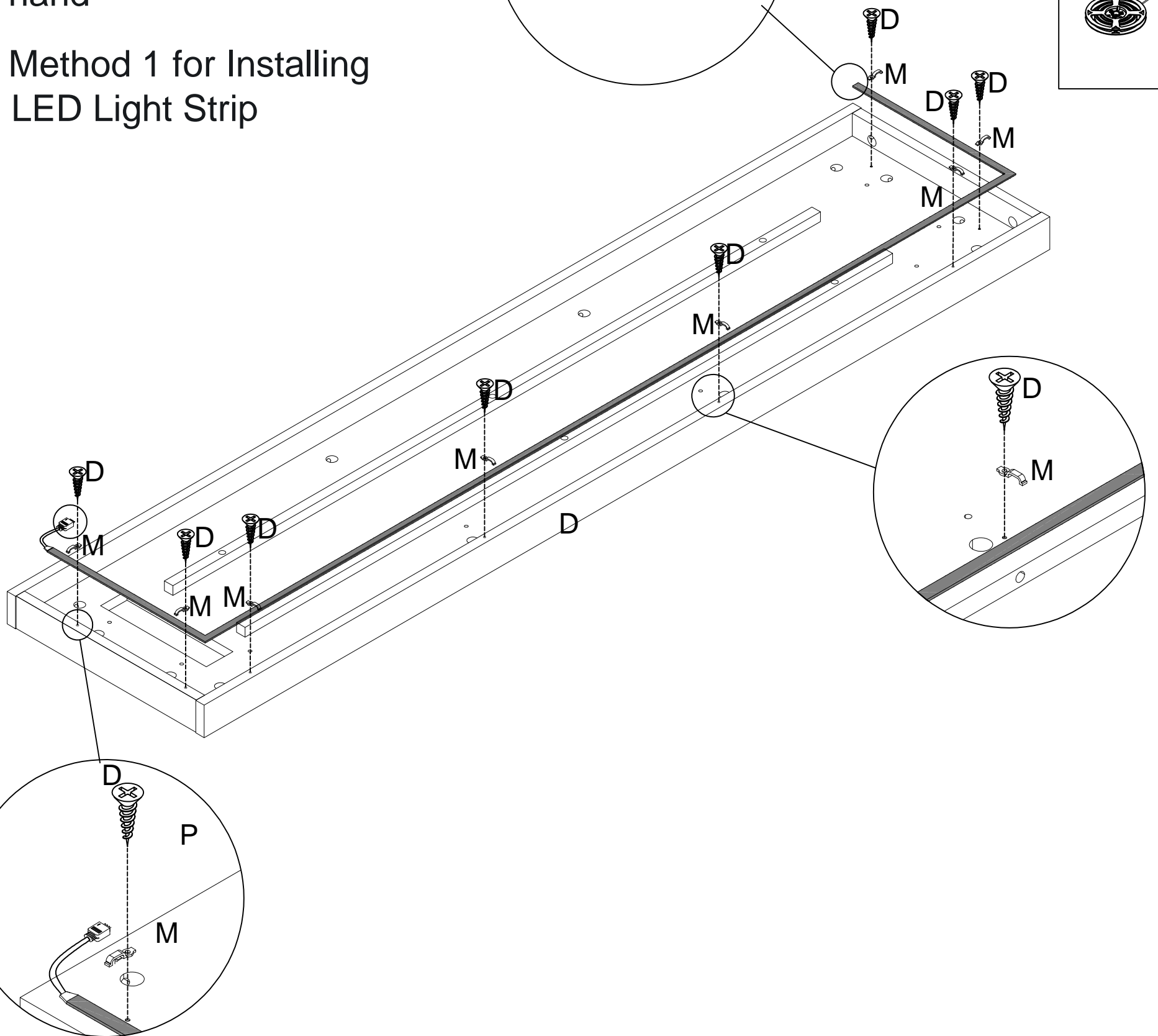
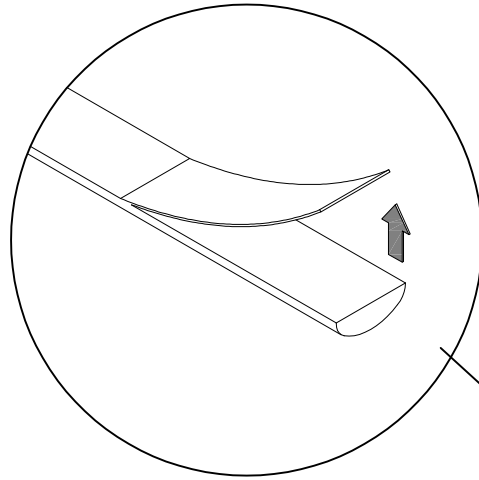
FTLFTS-6004/6024

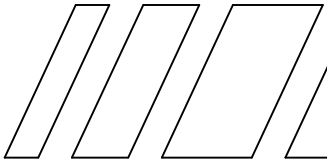
5

Tear off the tape and apply it to the plate, Then press it firmly with your hand

Method 1 for Installing LED Light Strip

D	M
	
8 PCS	8 PCS
	P
	





FTLFTS-6004/6024

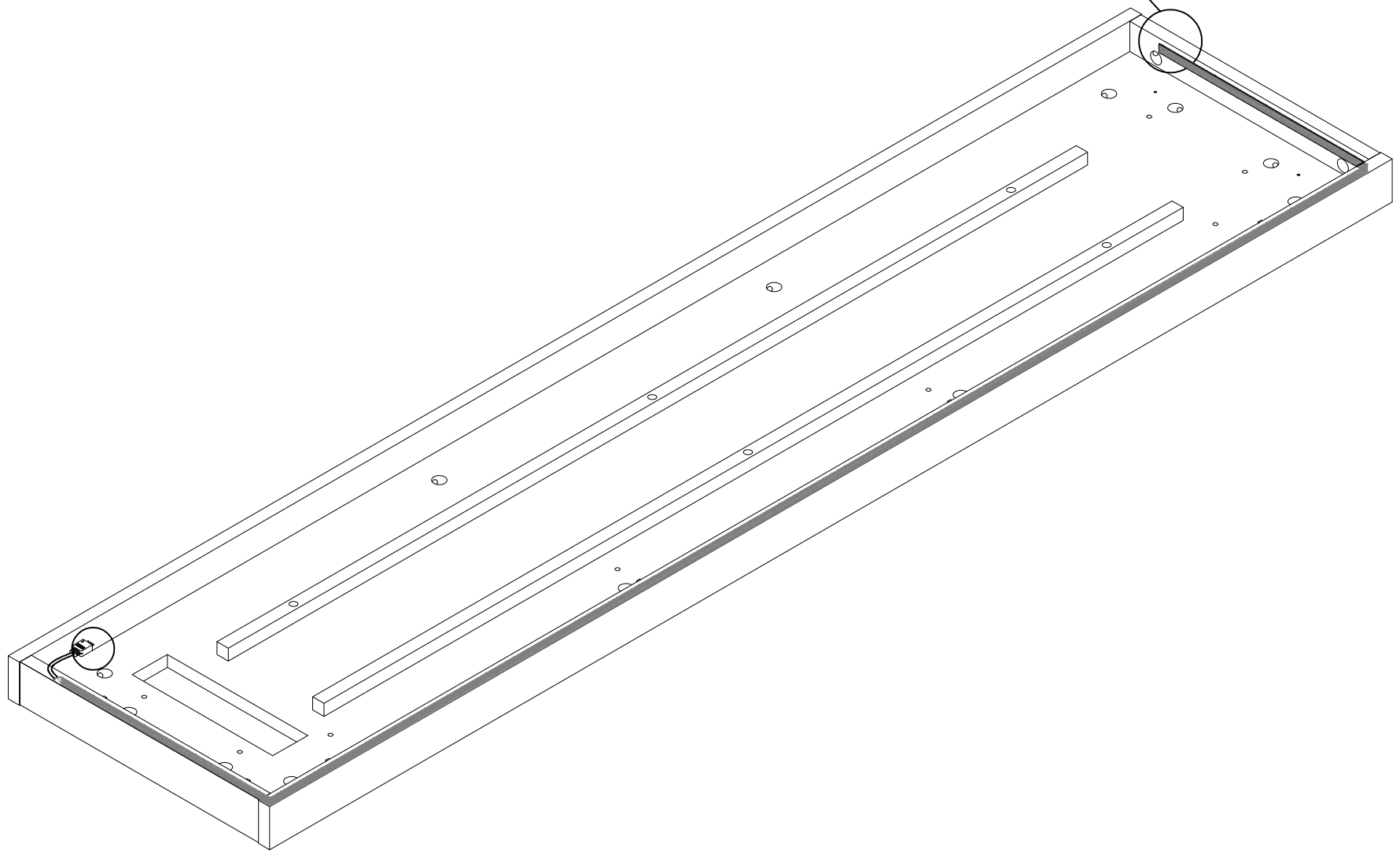
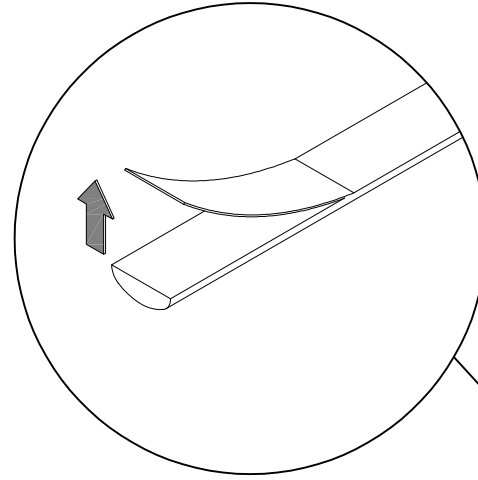
6

P



Tear off the tape and apply it to the plate, Then press it firmly with your hand

Method 2 for Installing LED Light Strip



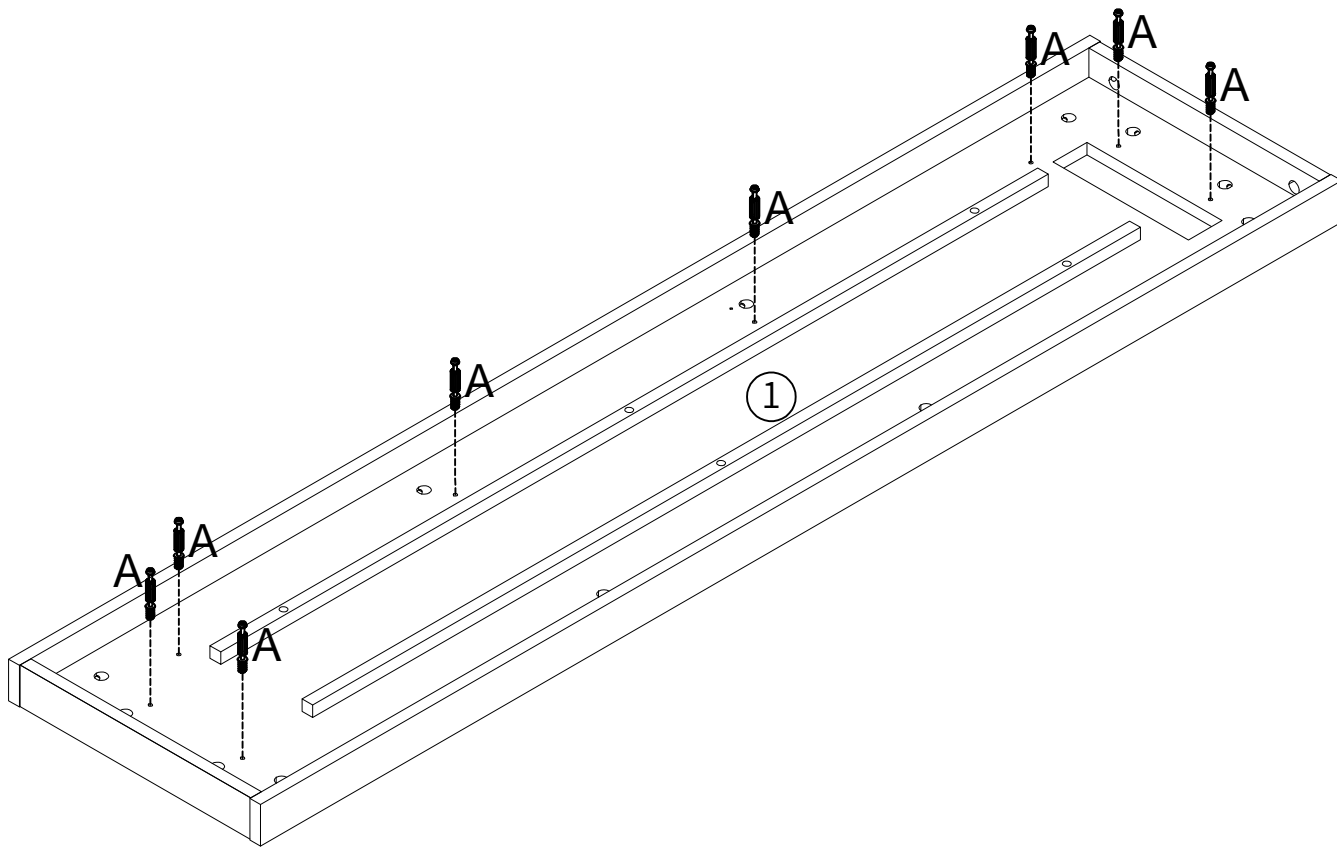
FTLFTS-6004/6024

7

A



8 PCS

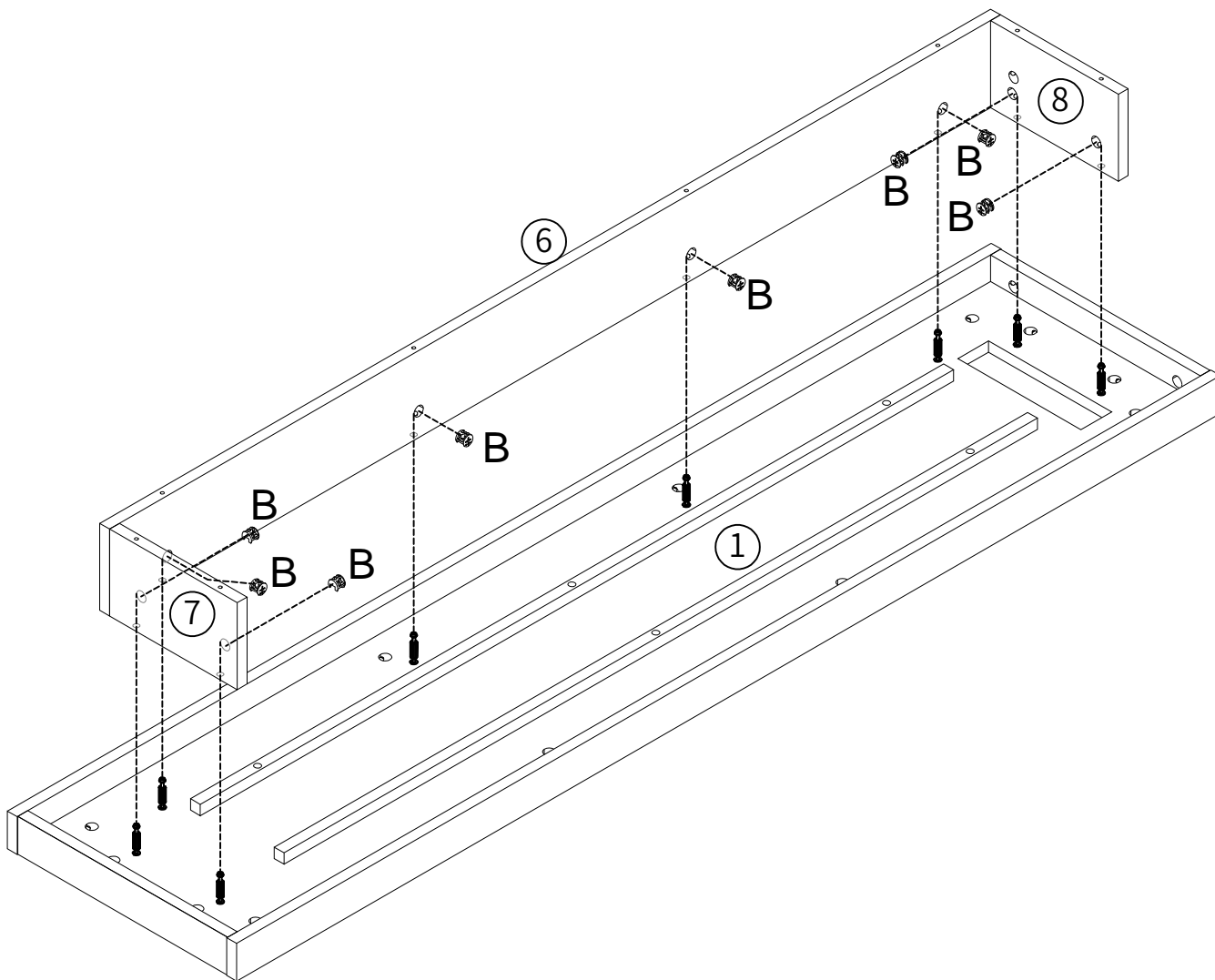


8

B




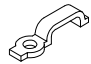
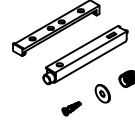

8 PCS

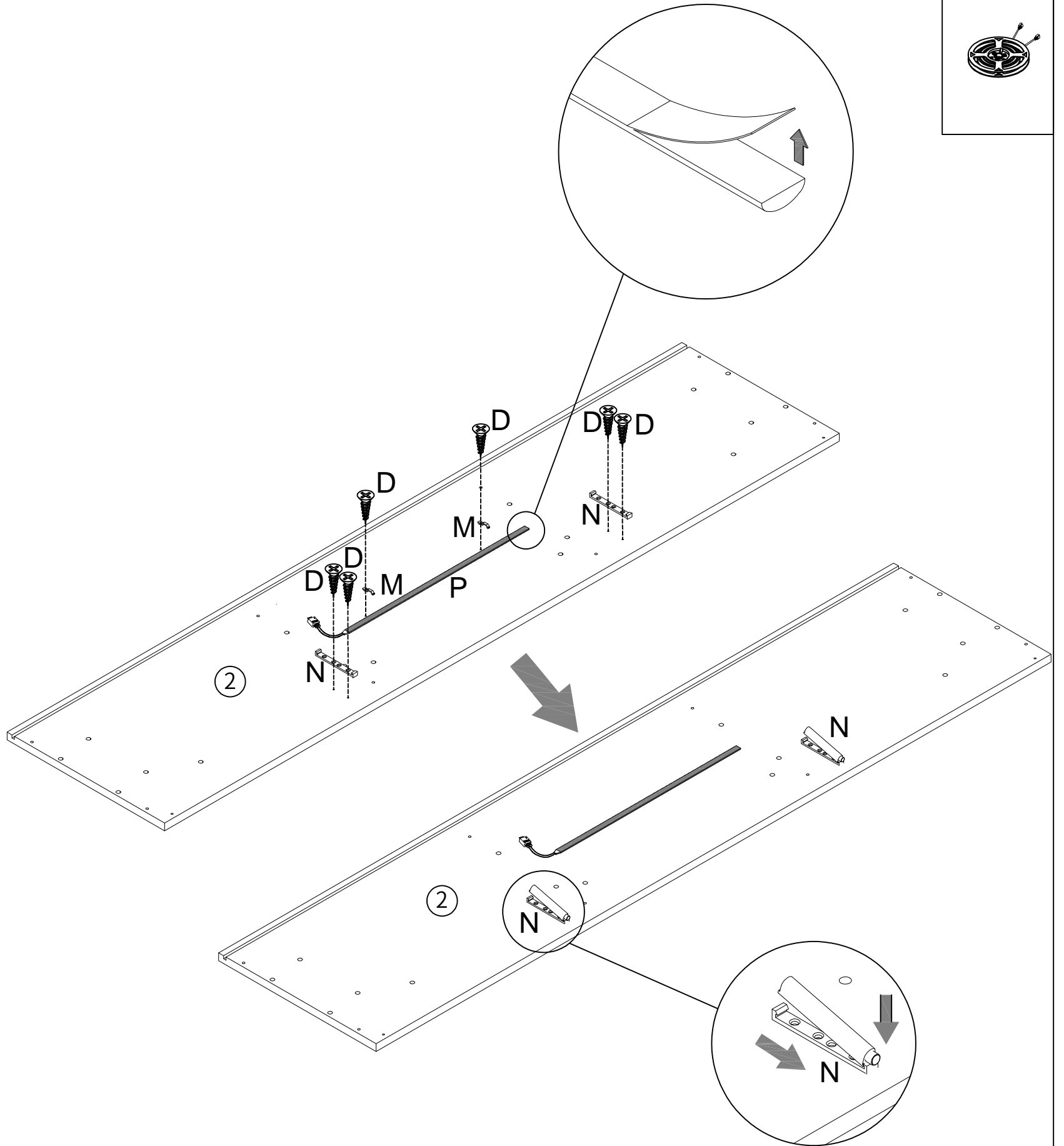


FTLFTS-6004/6024

9

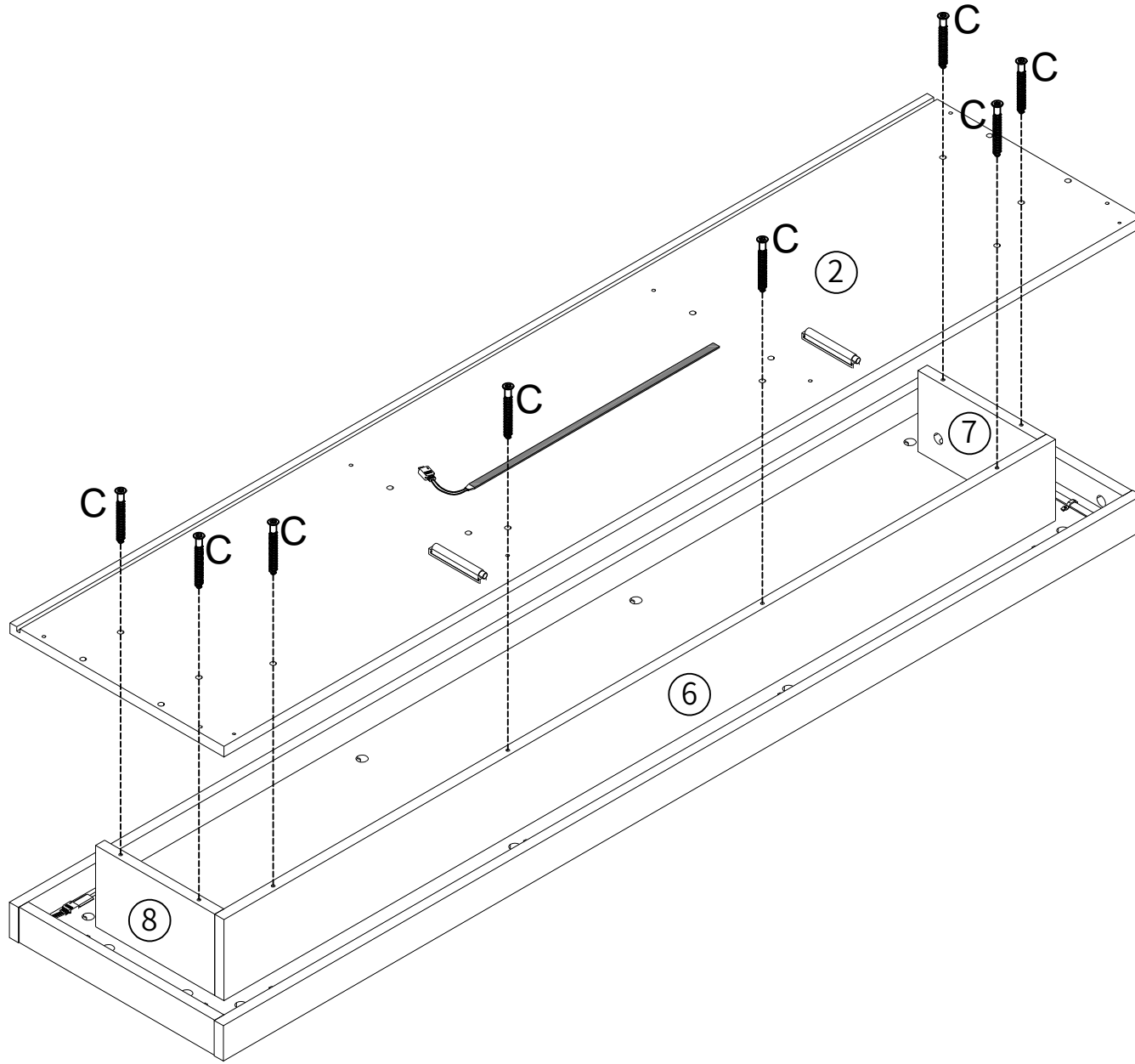
Tear off the tape and apply it to the plate, Then press it firmly with your hand

D  6 PCS	M  2 PCS	N  2 SETS
P 		



FTLFTS-6004/6024

10

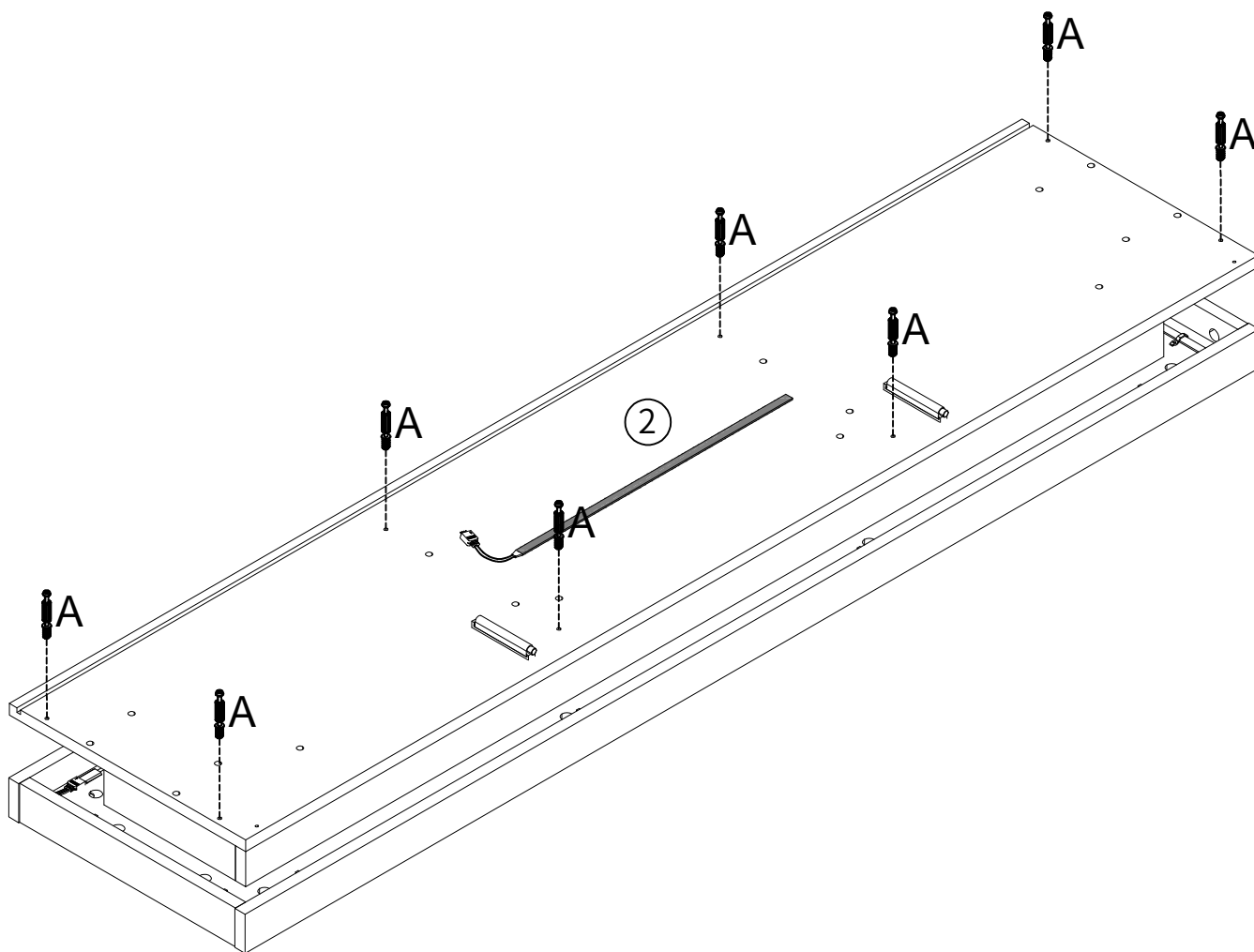


C



8 PCS

11



A



8 PCS

FTLFTS-6004/6024

12

B

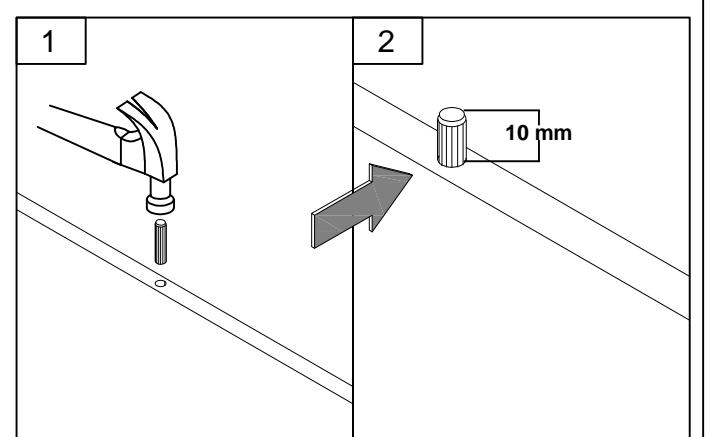
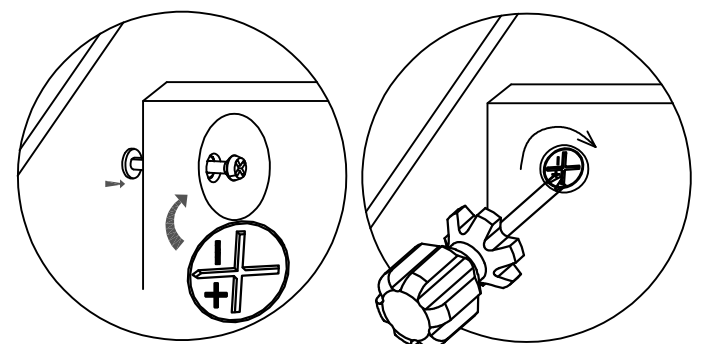
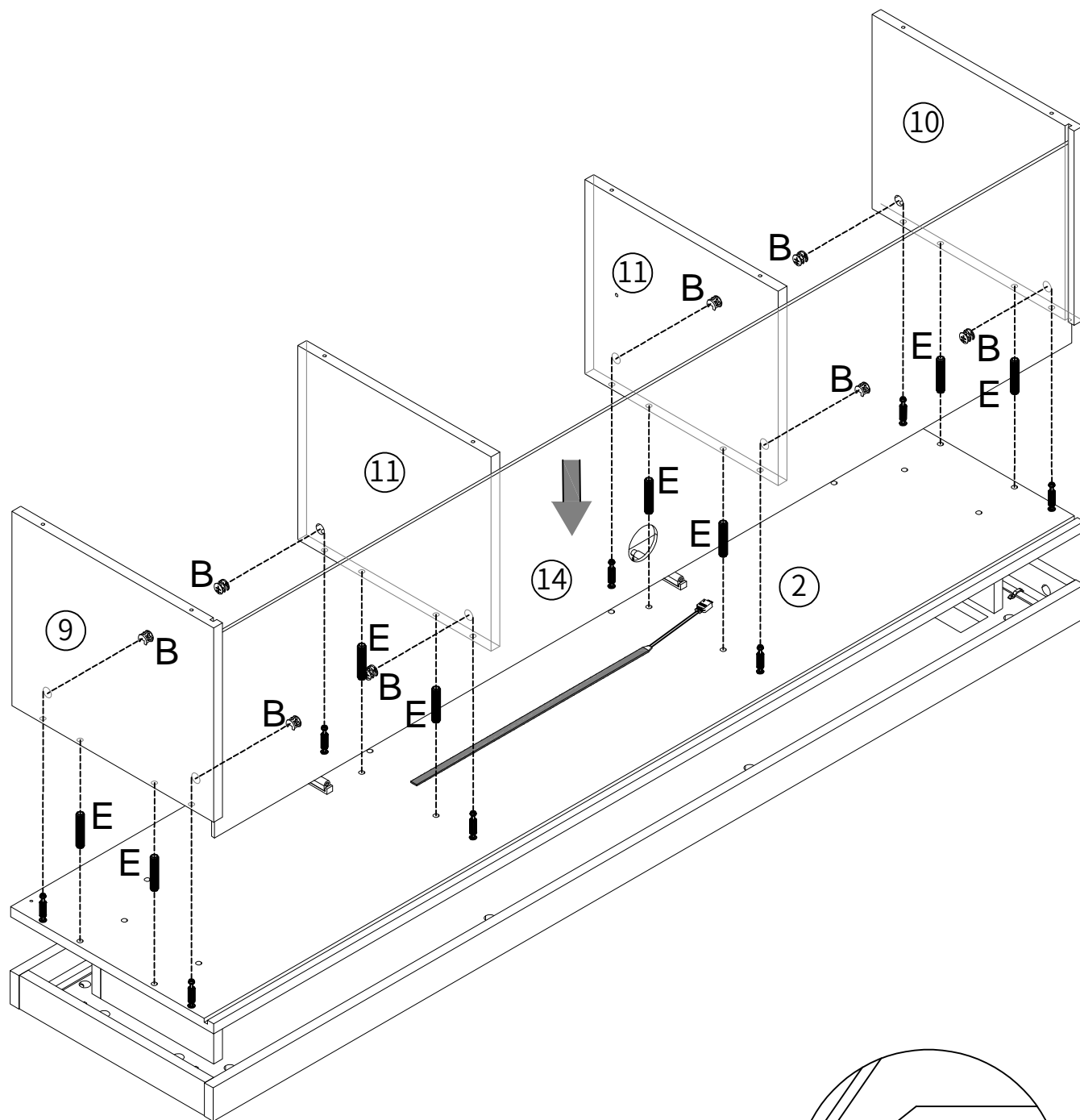


8 PCS

E


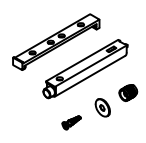


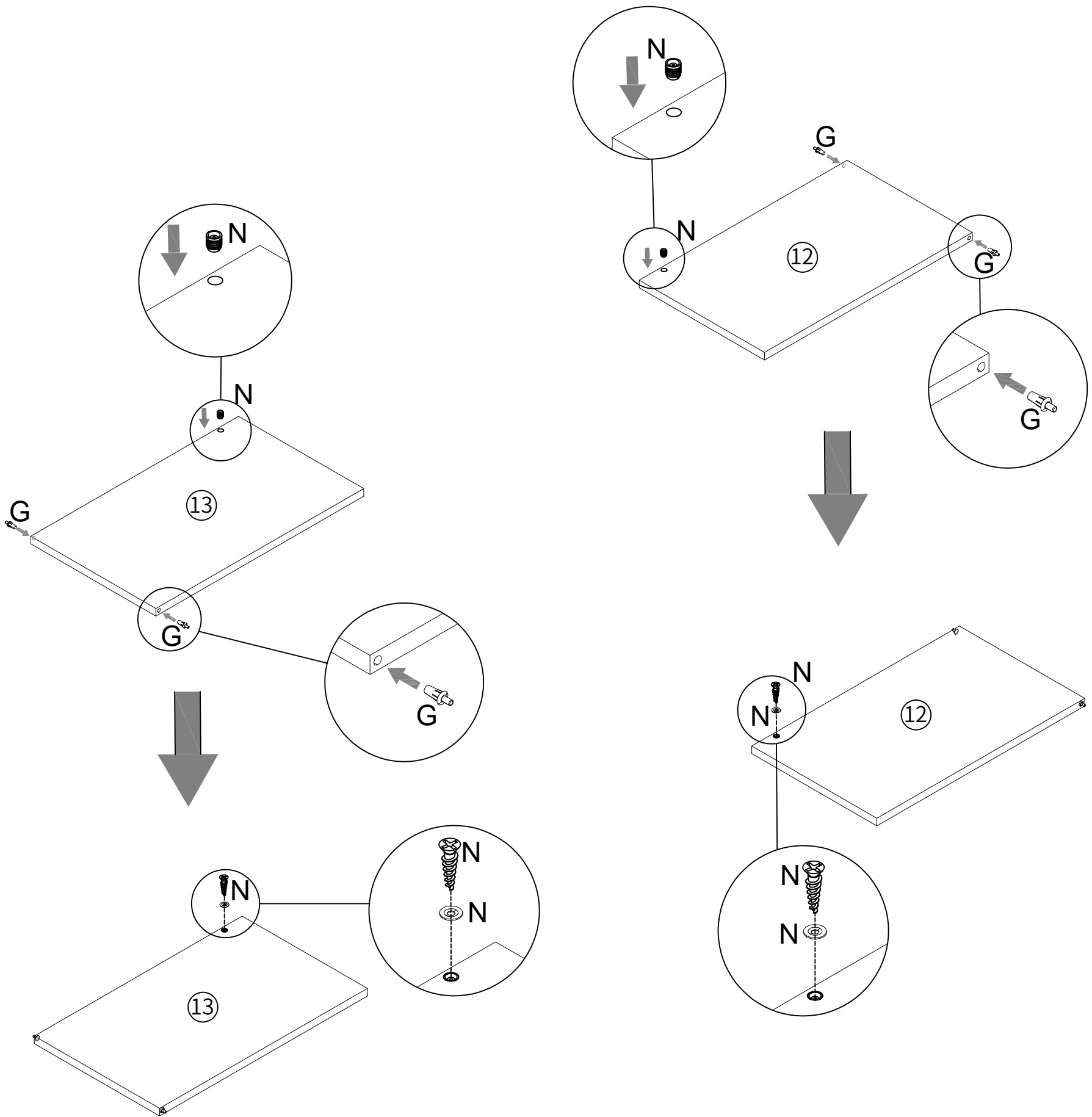
8 PCS



FTLFTS-6004/6024

13

G	N
	
4 PCS	2 SETS



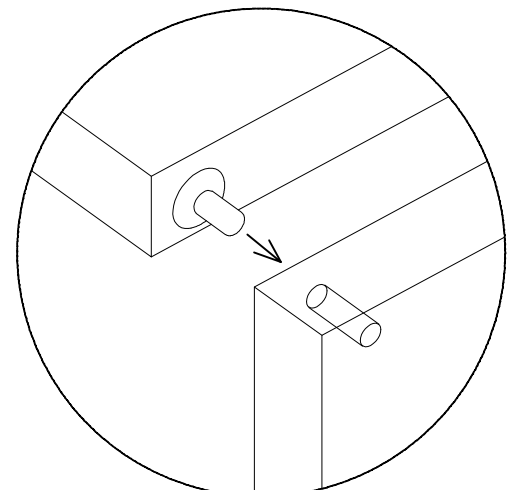
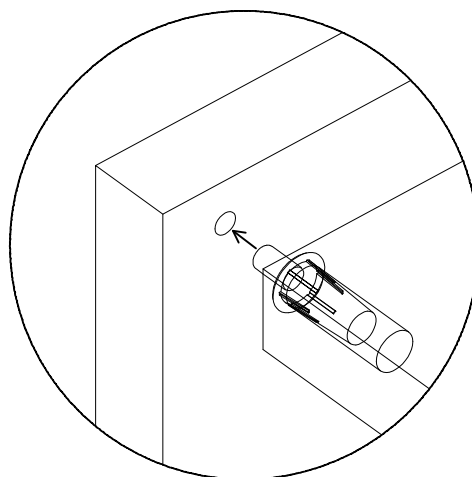
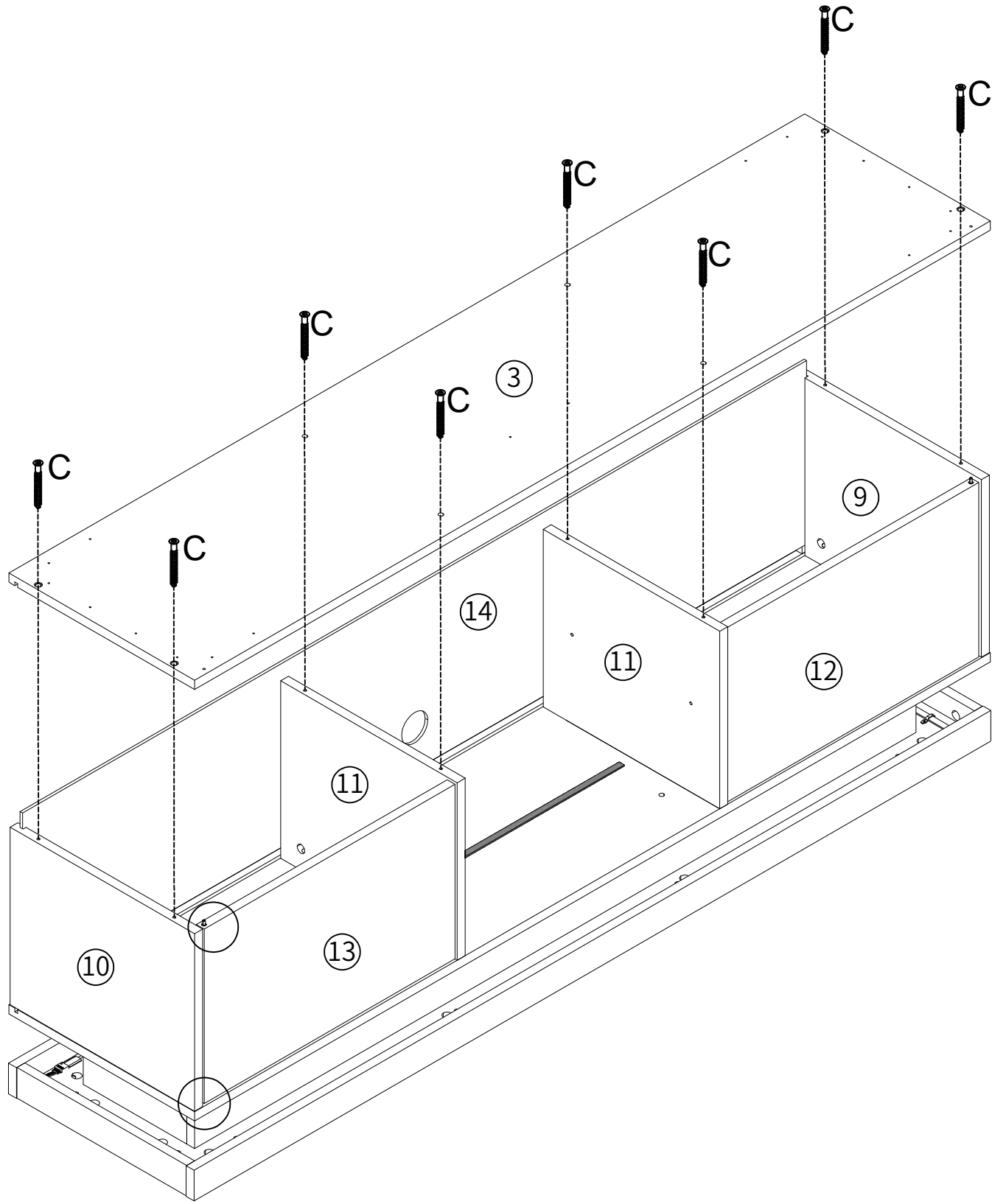
FTLFTS-6004/6024

14

C M7X50



8 PCS



FTLFTS-6004/6024

15

F M3.5X30



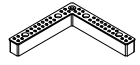
18 PCS

L



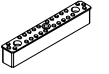
5 PCS

J

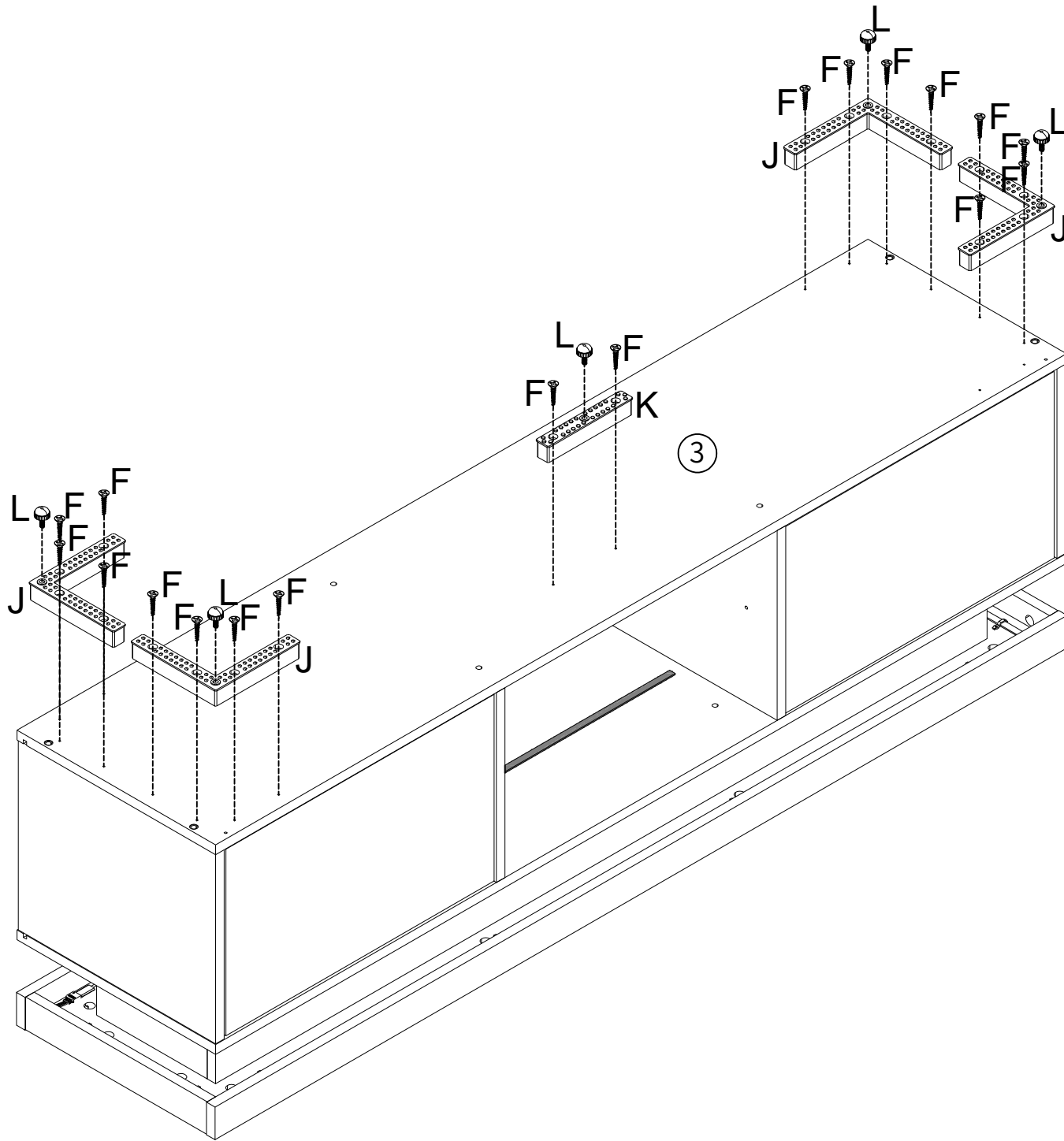


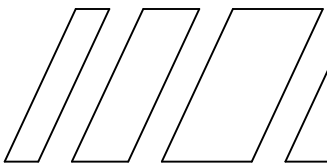
5 PCS

K



1 PCS





FTLFTS-6004/6024

16

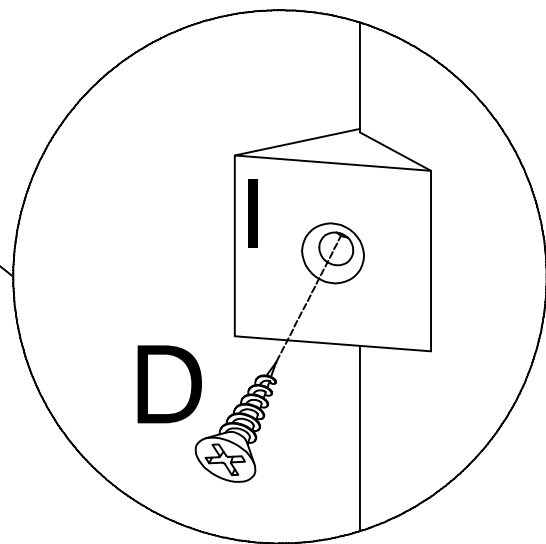
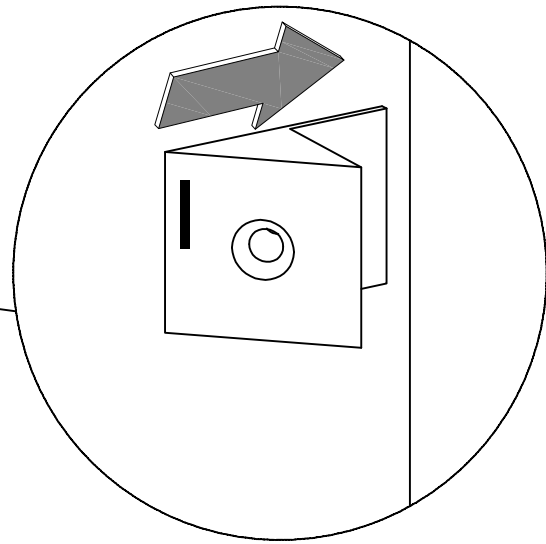
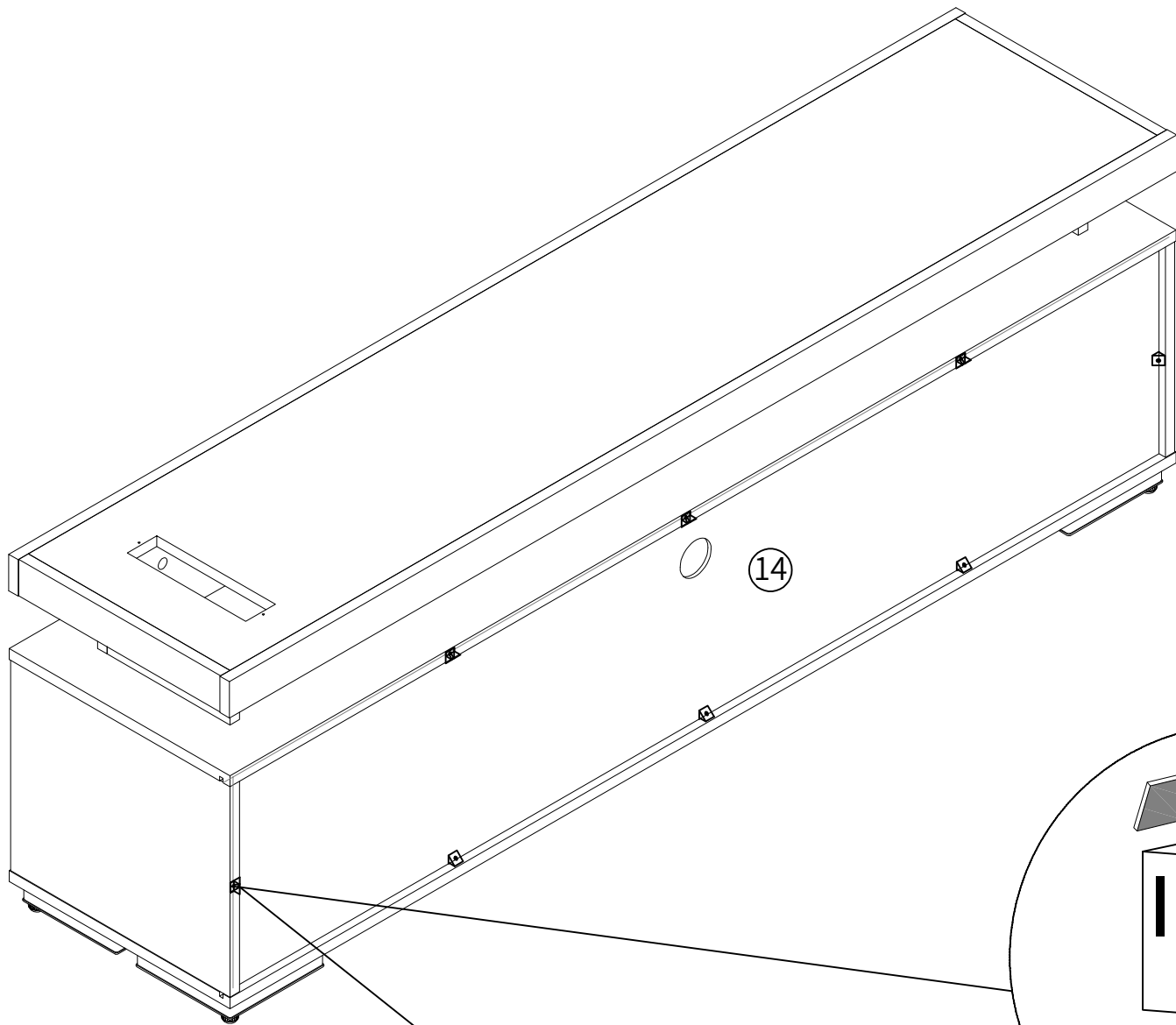
D M3.5X14 I



8 PCS



8 PCS



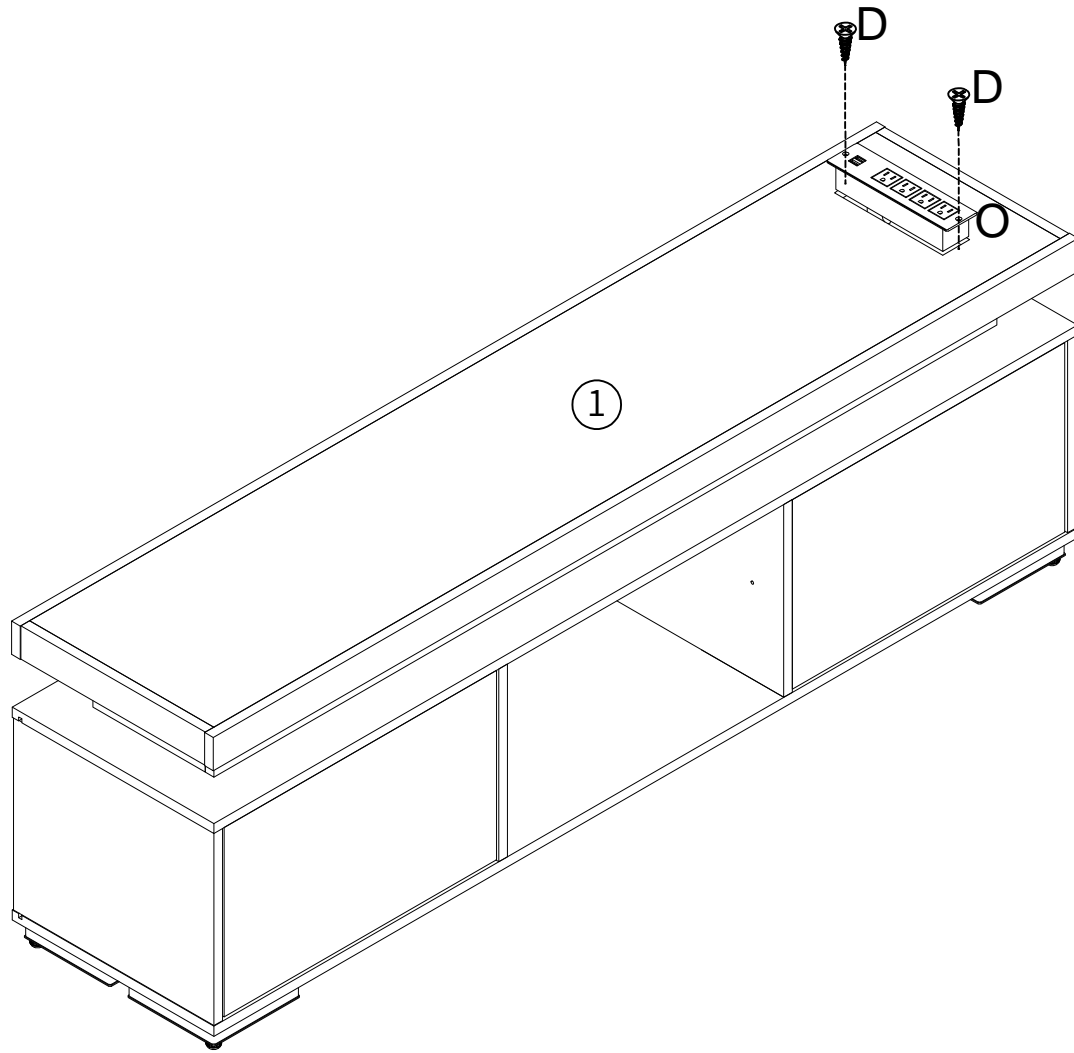
FTLFTS-6004/6024

17

D M3.5X14



2 PCS

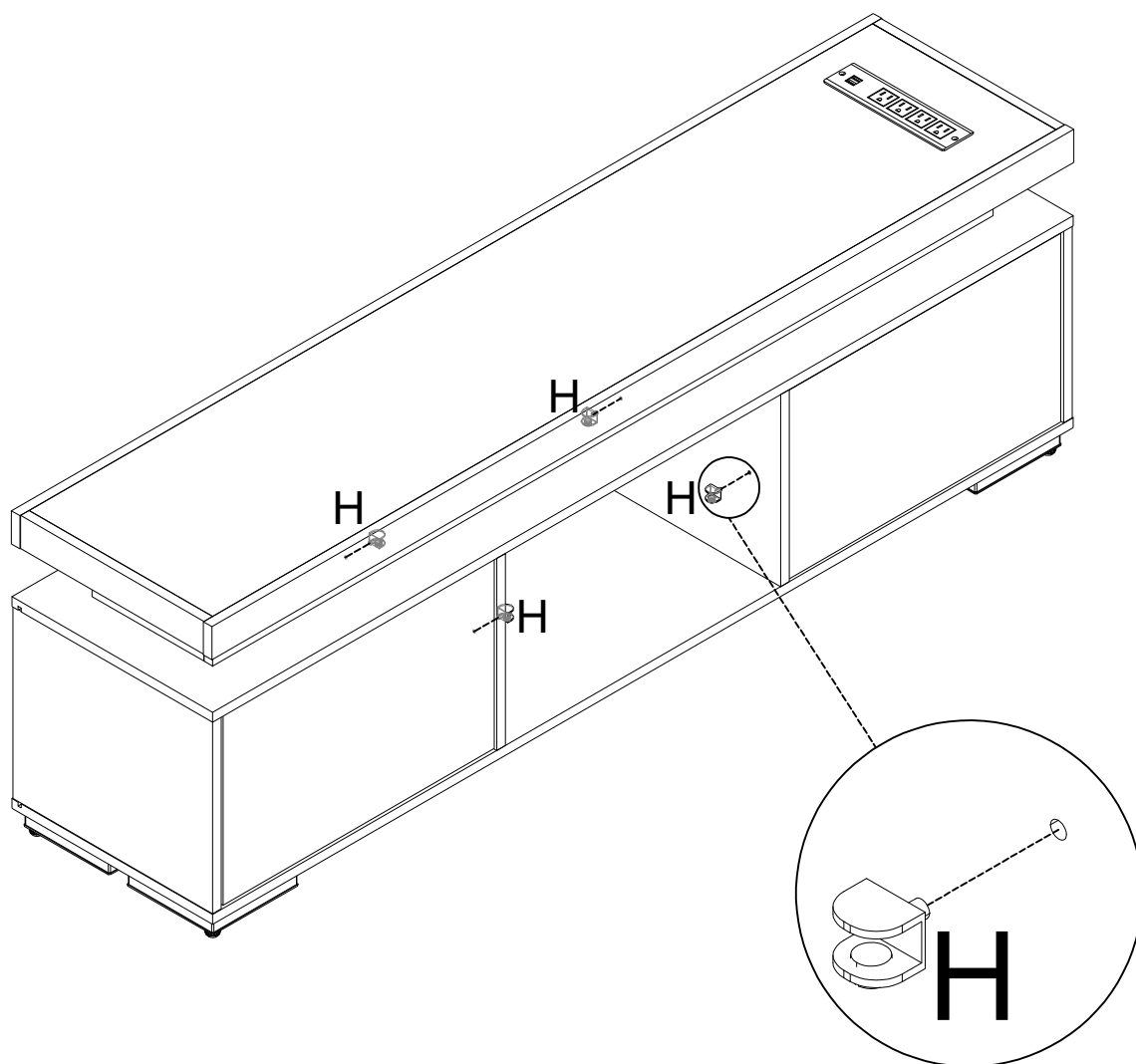


18

H

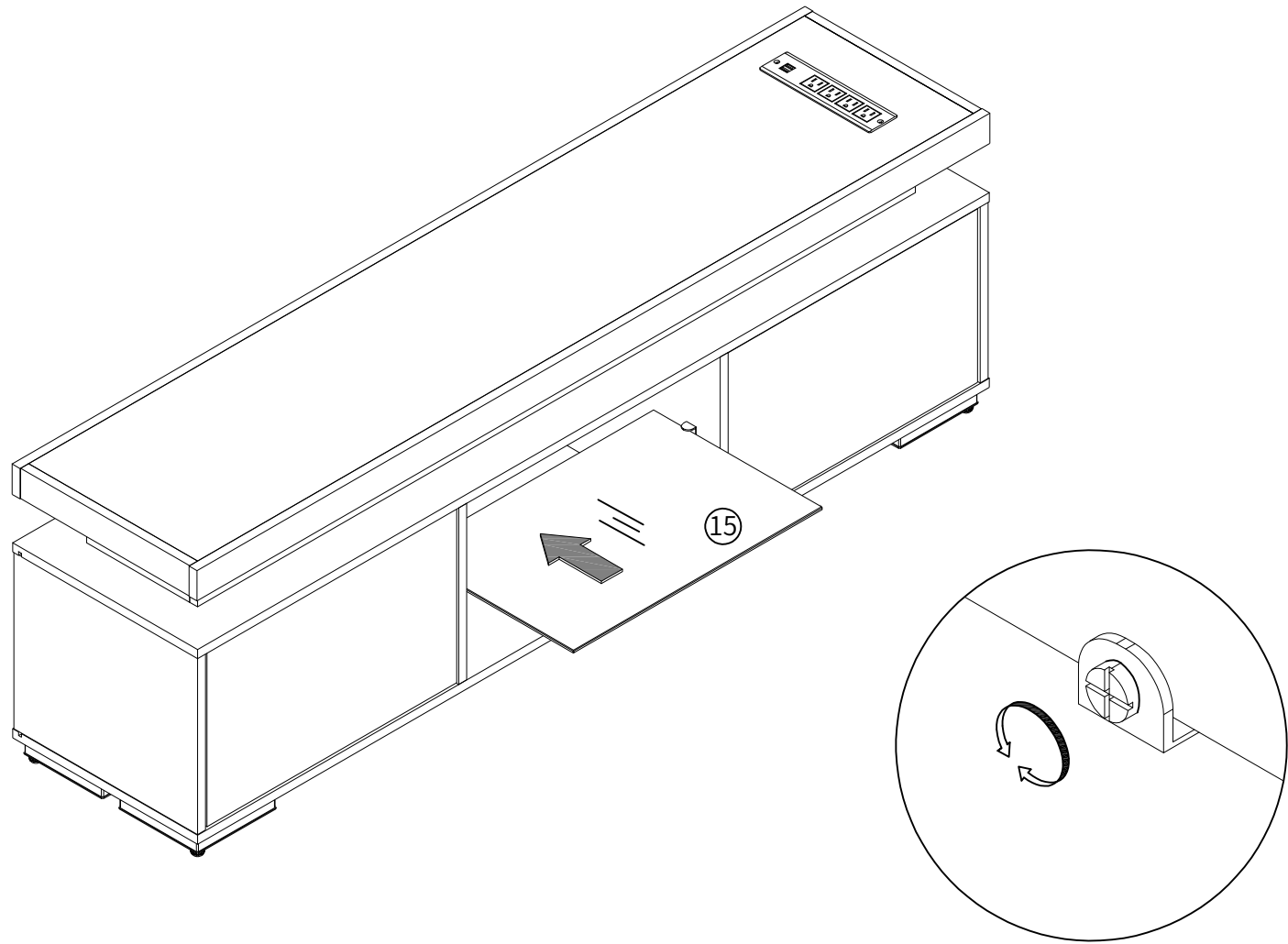


4 PCS



FTLFTS-6004/6024

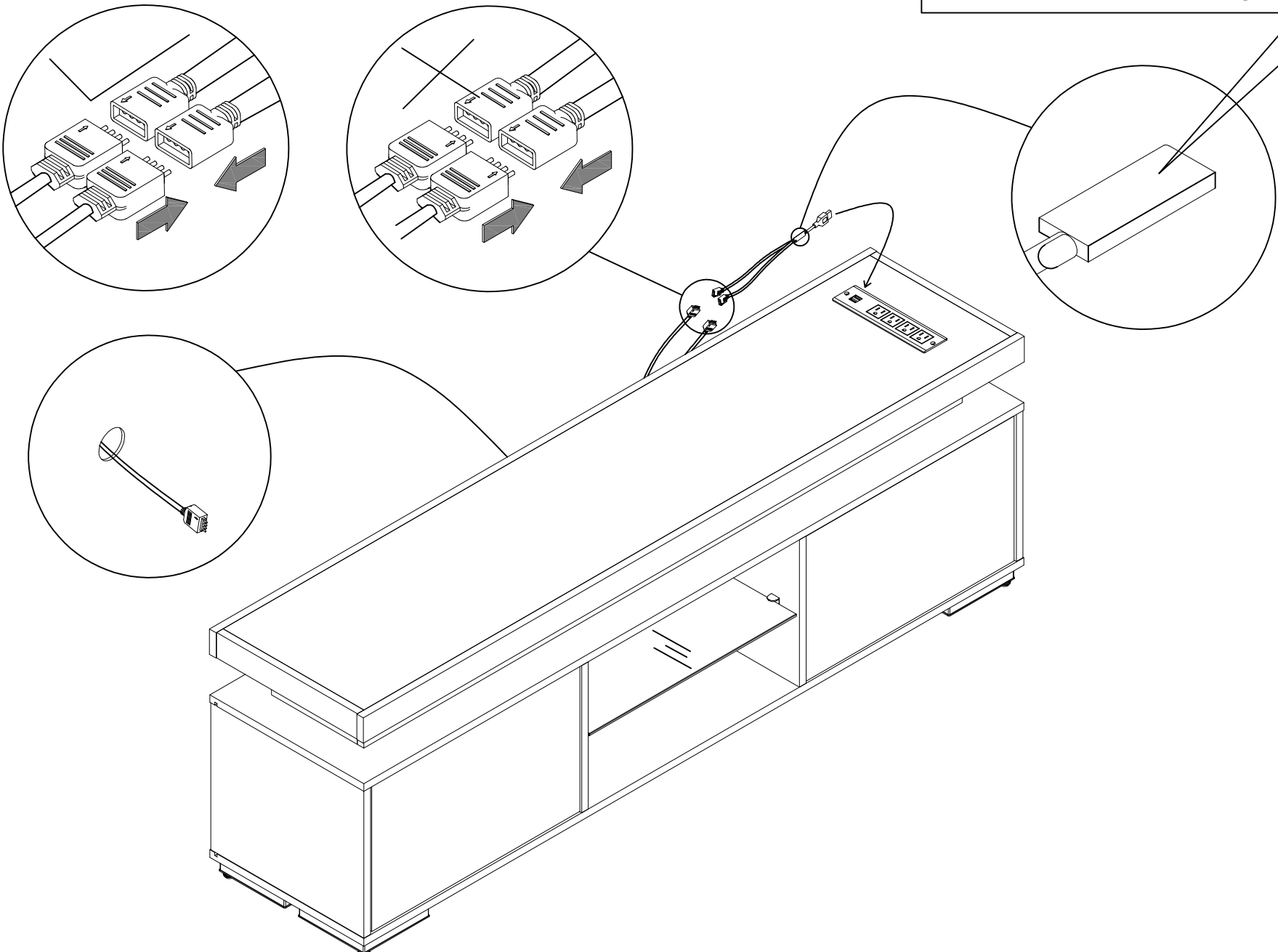
19

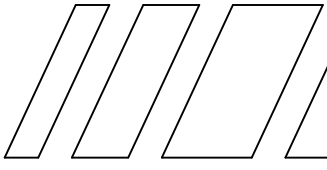


20

arrow marks must be on the same side before connecting.

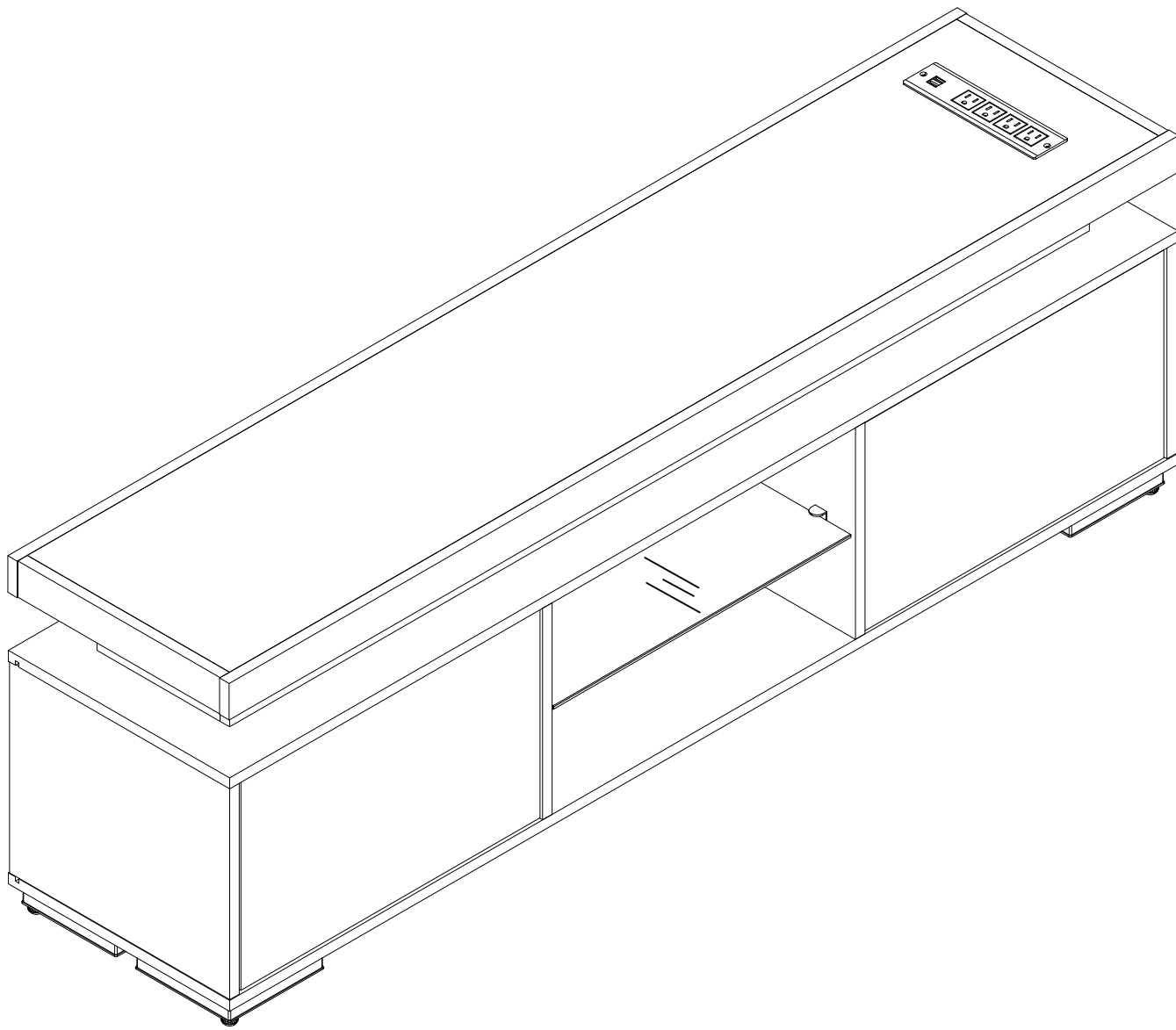
The infrared receiver must be placed in front to receive the signal





FTLFTS-6004/6024

21



Installation Completed