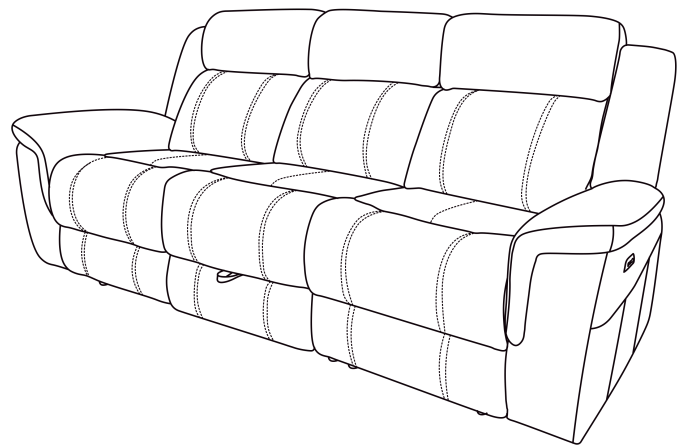
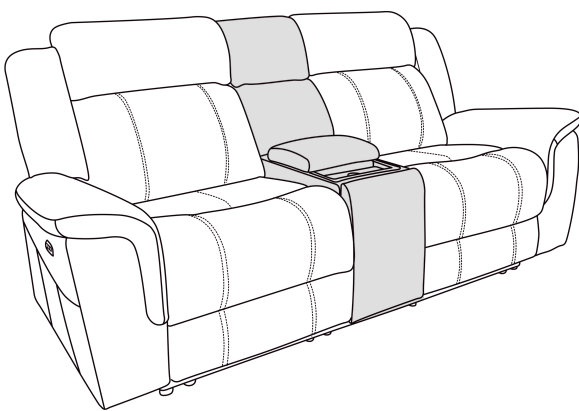
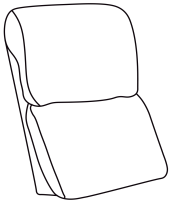
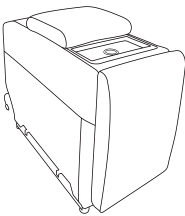
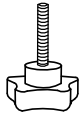
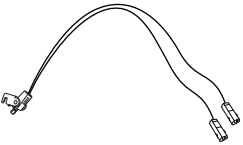


Console **Assembly Manual**

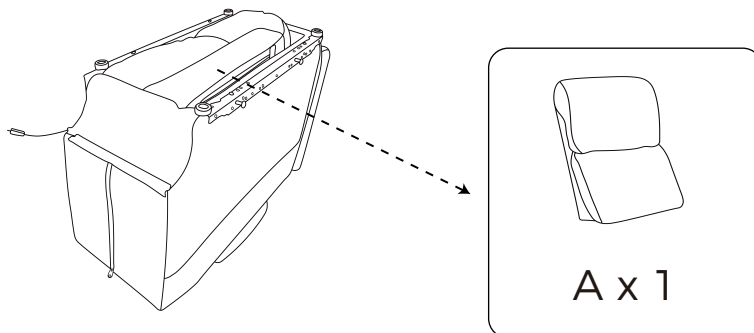


THIS ASSEMBLY MANUAL CONTAINS IMPORTANT SAFETY INFORMATION.
PLEASE READ AND KEEP FOR FUTURE REFERENCE.

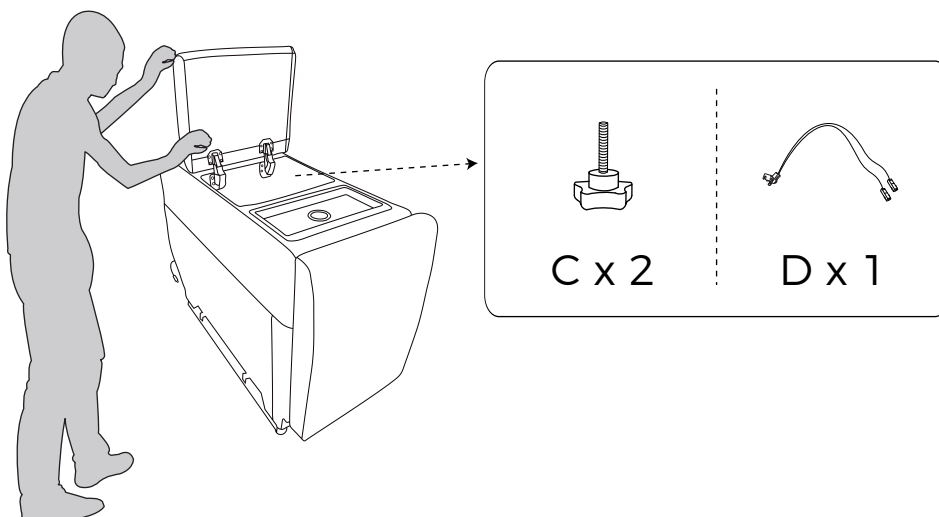
Parts

A  Back	B  Seat	C  Screw
D  2-Y Cable		

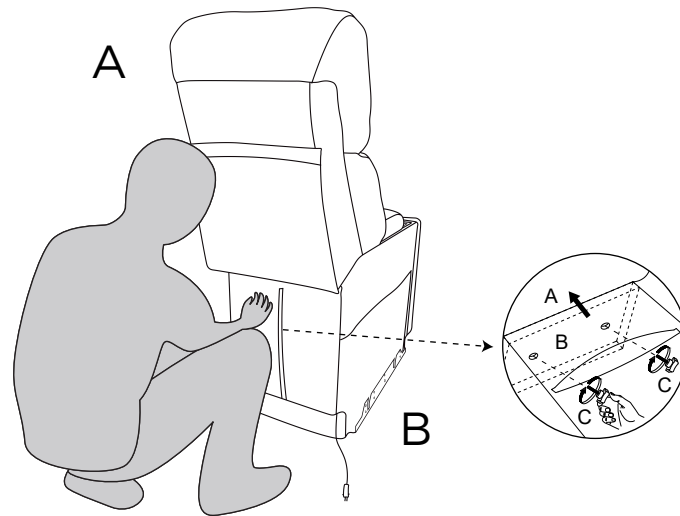
Before you begin: Take out the Back (A) from bottom of console.



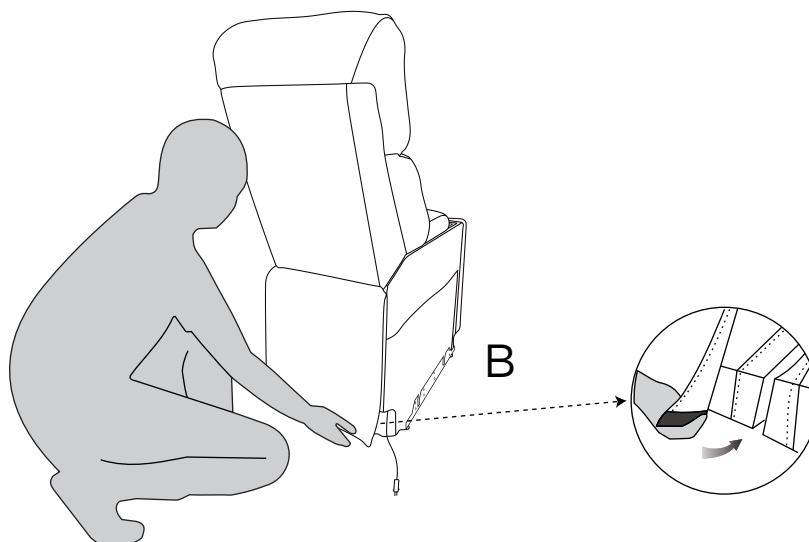
Step 1: Open the lid of the storage of the console and take out the Screws (C), Cupholders (D), and 2-Y Cable (E).



Step 2: Secure the Back (A) and Seat (B) by screws.

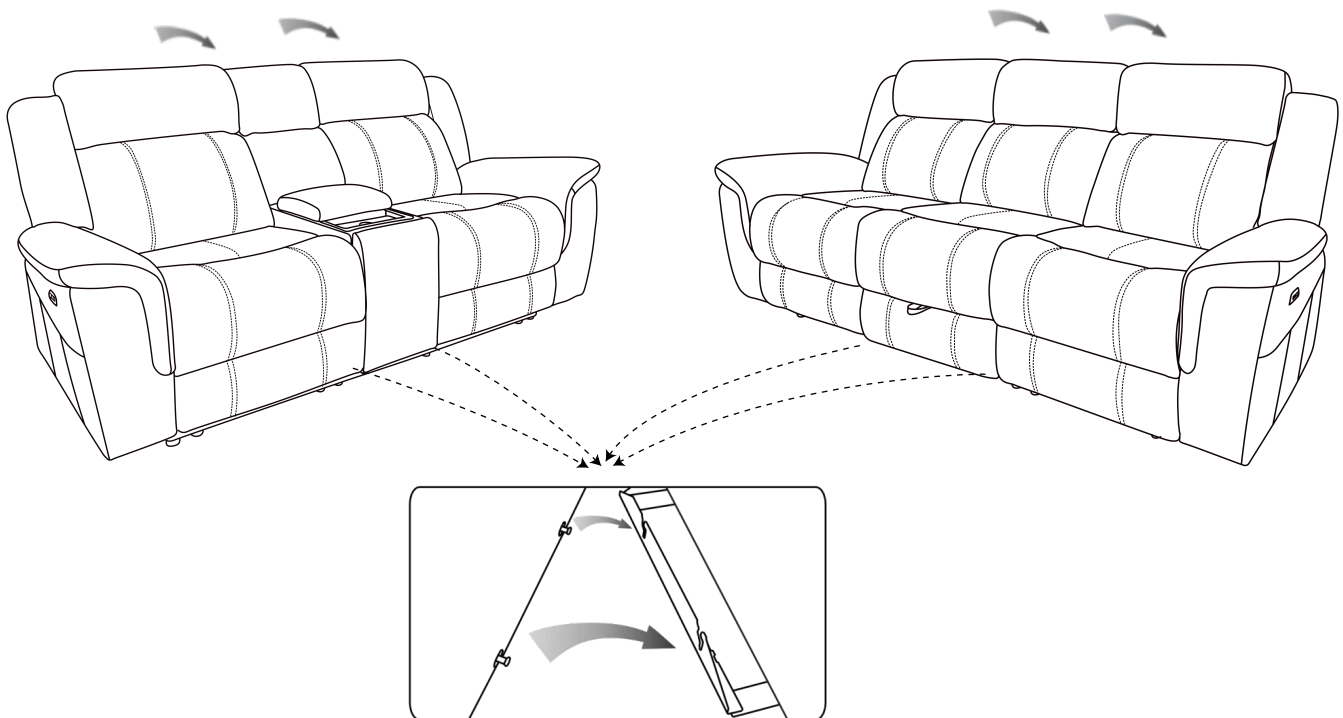


Step 3: Attach the back cover to the bottom of the Seat (B) with Velcro.

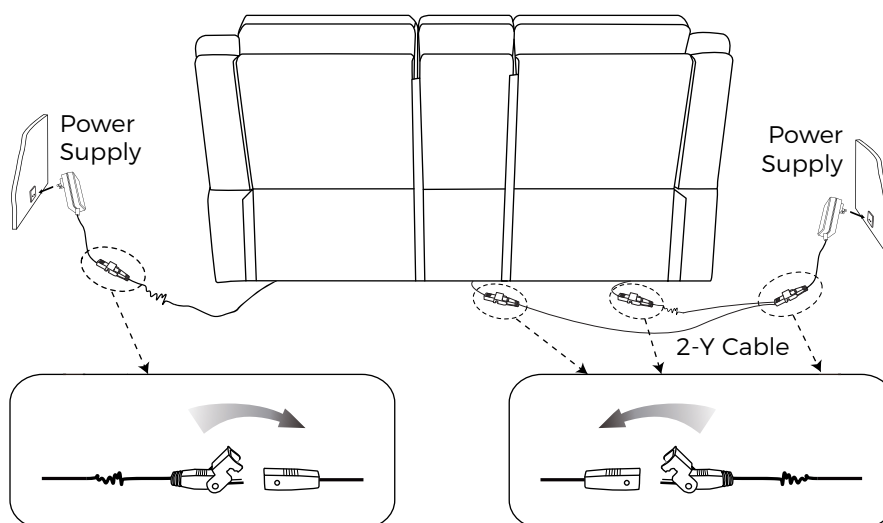


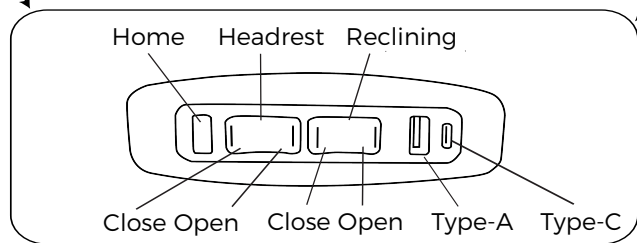
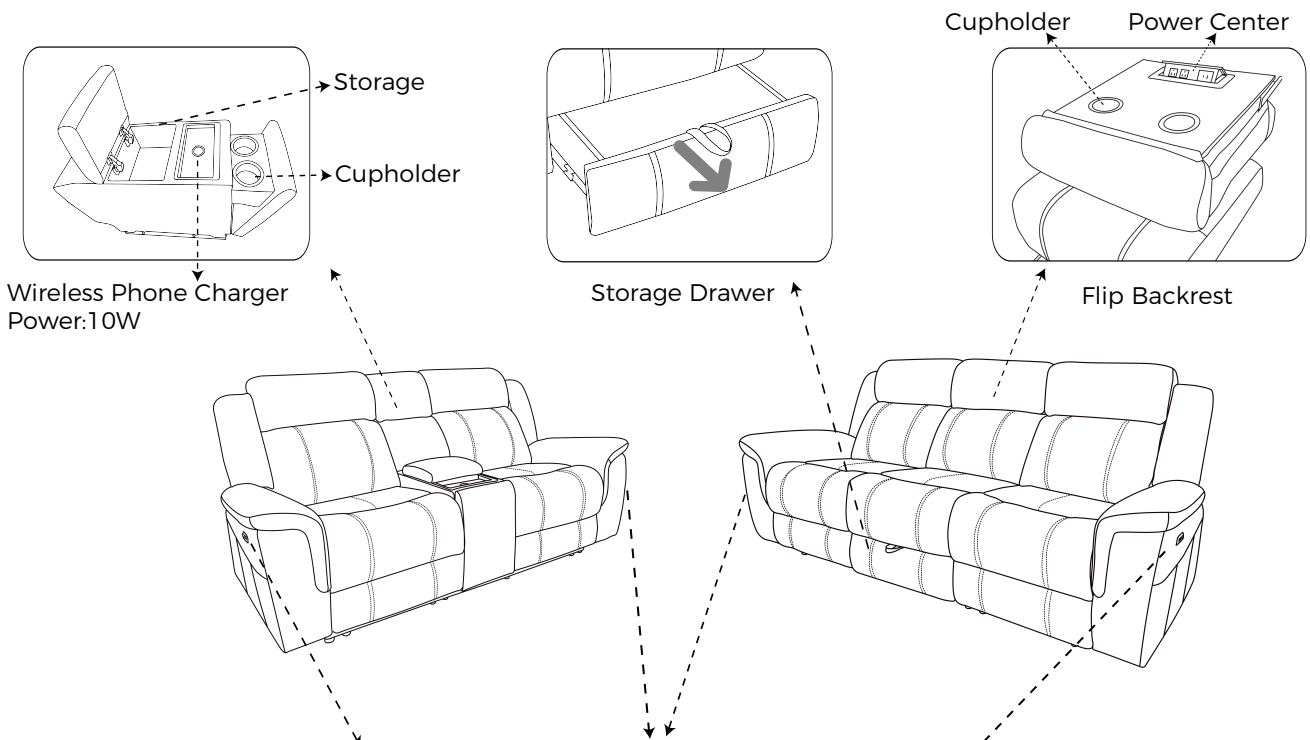
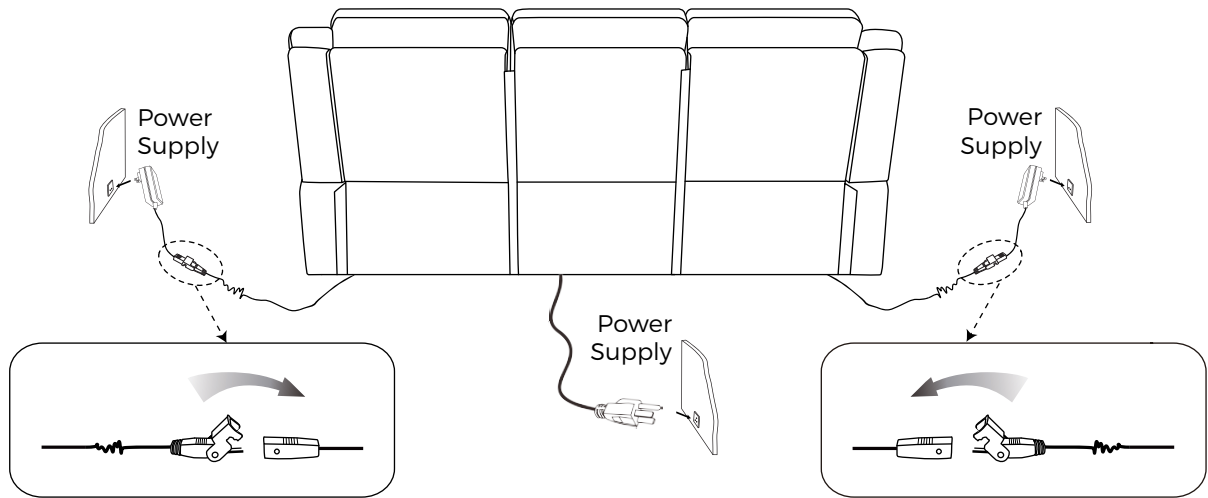
How to Connect

Step 1: Attach each piece with brackets on the side. Kindly note to attach from Left hand to Right hand.



Step 2: Using 2-Y cable (from Console parts) to connect your Console and Power Left Recliner together. Plug the Power Supply into the power outlet.





? How to operate