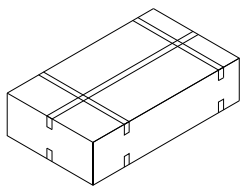
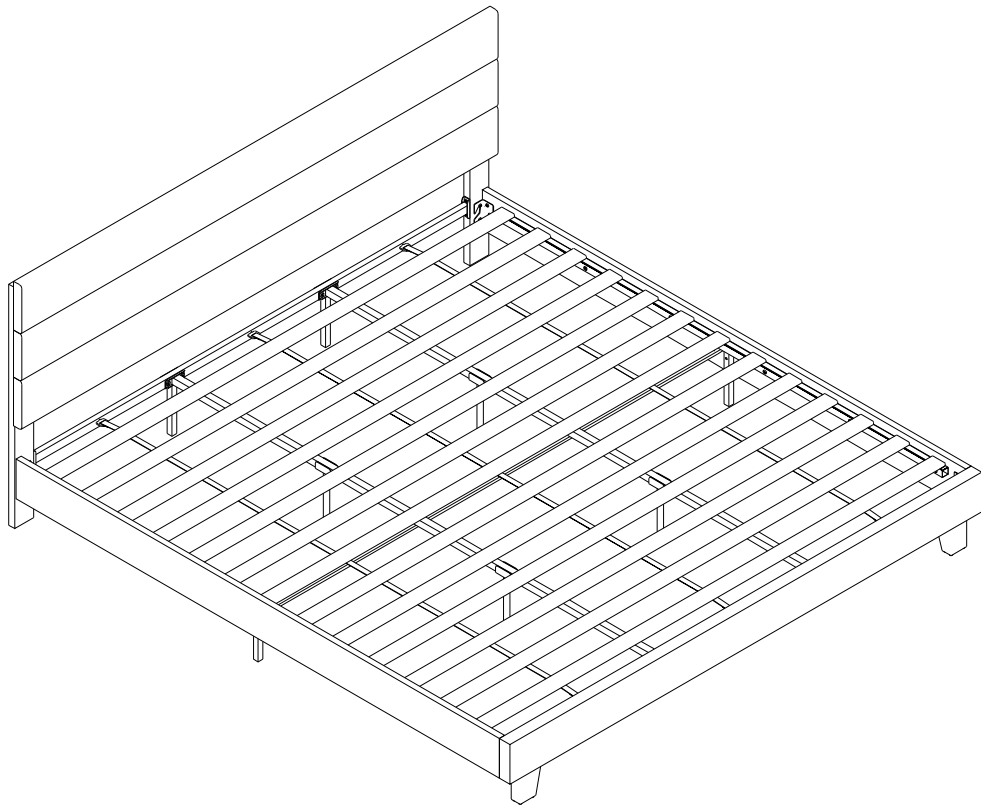
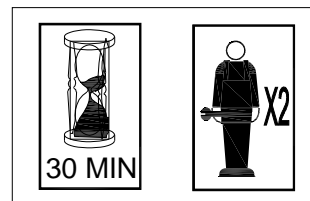


Horizontal Channel Upholstered Platform Bed

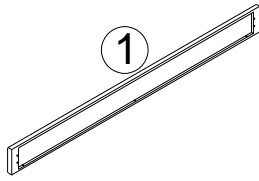
King Size



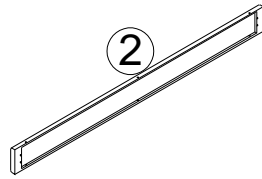
X 1



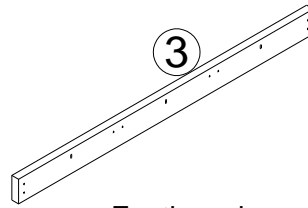
Part List



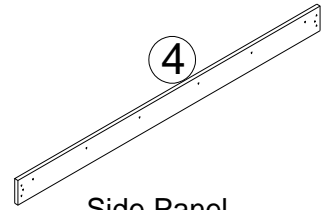
Headboard
x 2



Headboard
x 1

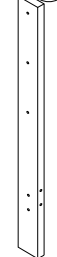


Footboard
x 1



Side Panel
x 2

7



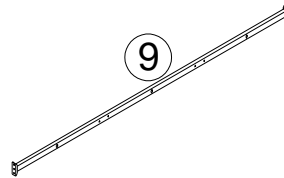
Leg
x 1

8



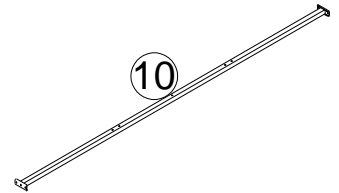
Leg
x 1

9



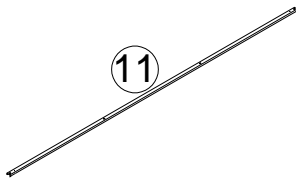
End Rail
x 1

10



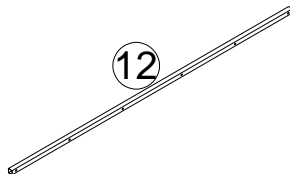
Center Rail
x 2

11



Center Rail
x 1

12



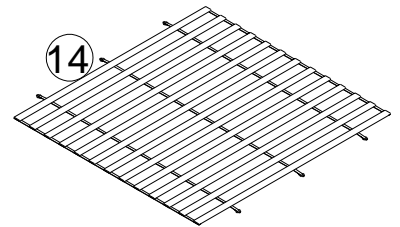
Side Rail
x 2

13



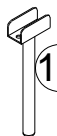
Support Leg
x 2

14



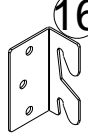
Wooden Slats
x 1

15



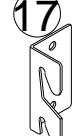
Support Leg
x 4

16



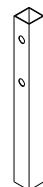
Bracket
x 2

17



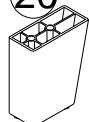
Bracket
x 2

19



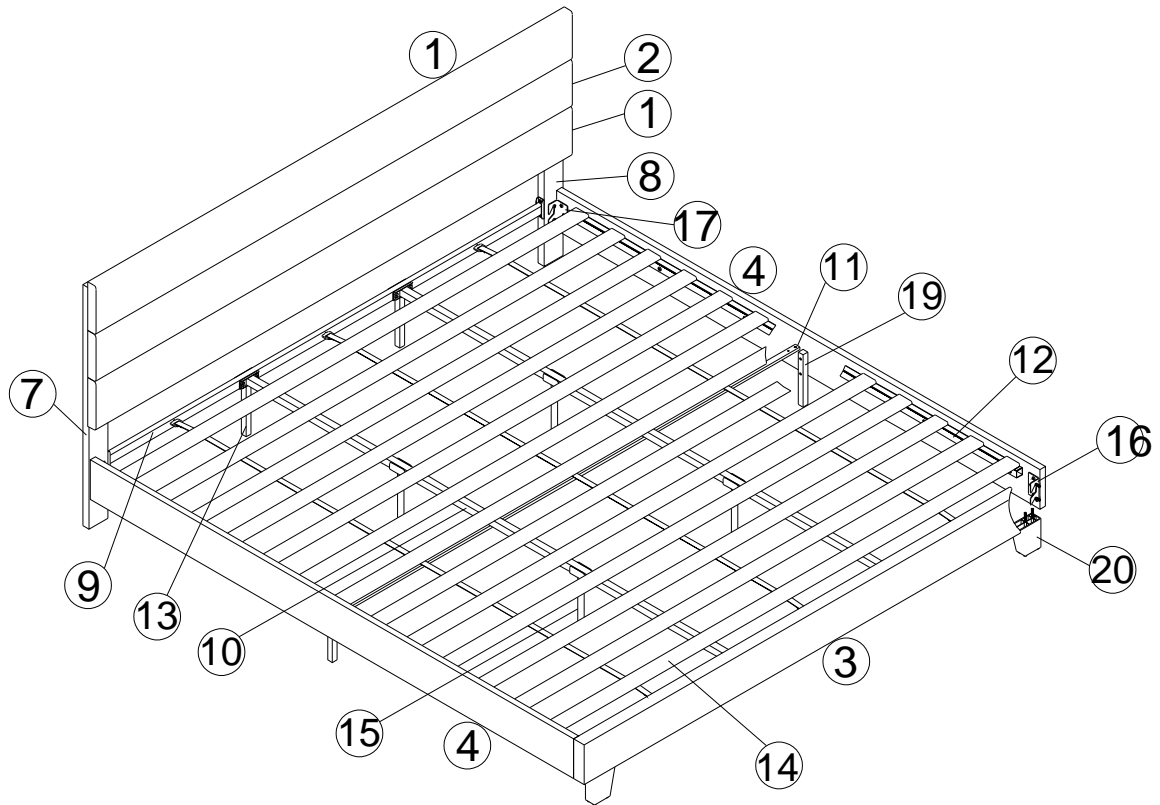
Support Leg
x 2

20

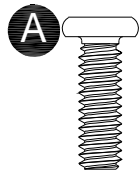


Leg
x 2

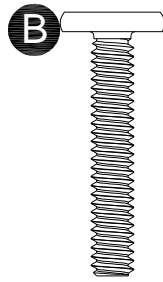
Part List



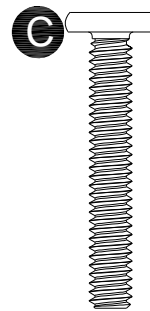
HARDWARE LIST



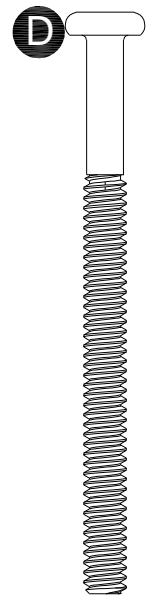
1/4" X 3/4"
Bolt
X 40



1/4" X 1 3/8"
Bolt
X 14



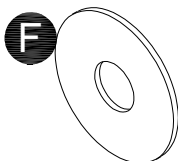
1/4" X 1 9/16"
Bolt
X 18



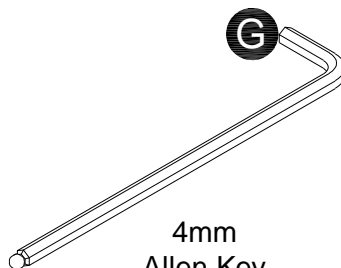
1/4" X 3 1/10"
Bolt
X 4



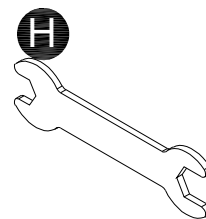
1/4"
Nut
X 10



1/4"
Flat Washer
X 6

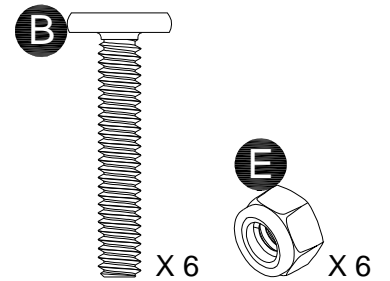
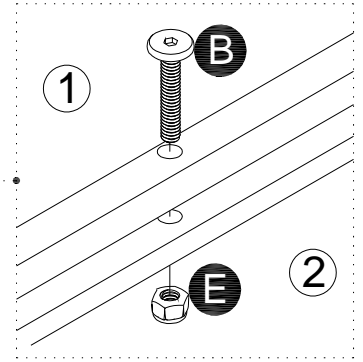
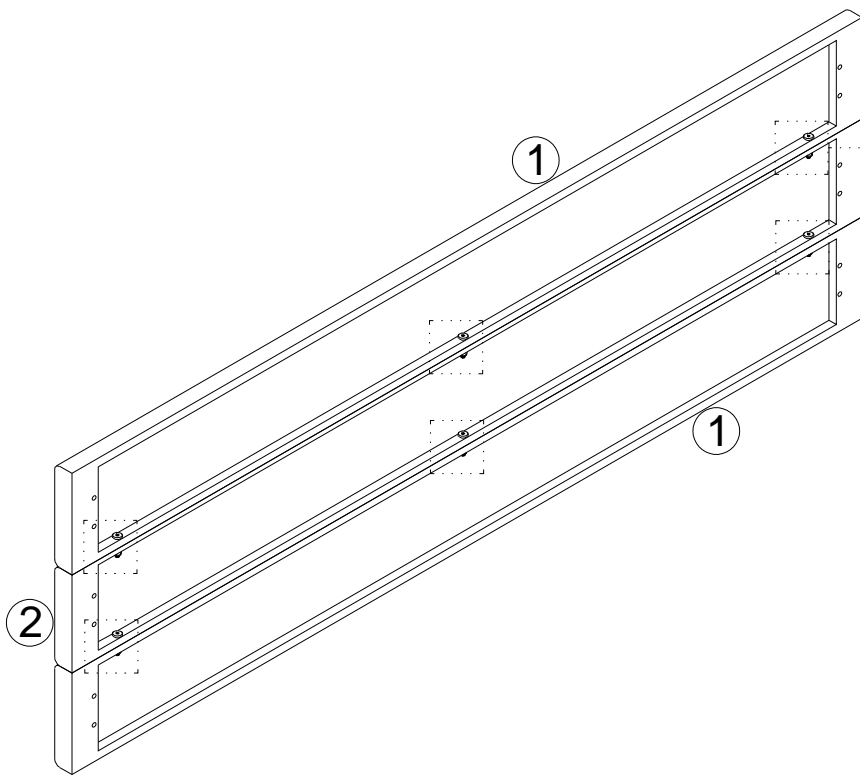


4mm
Allen Key
X 1

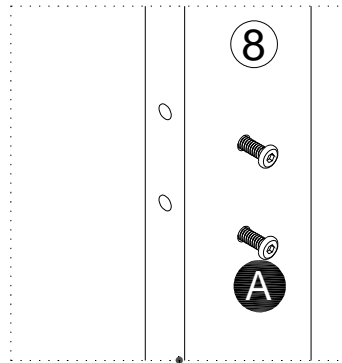
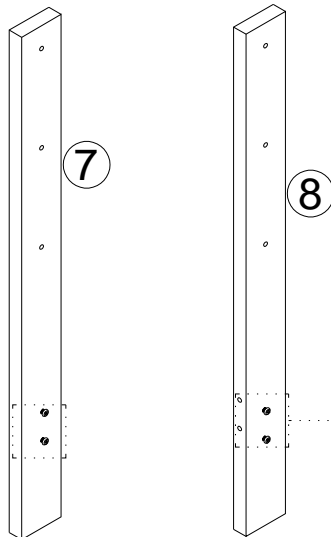


WRENCH
X 1

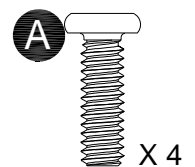
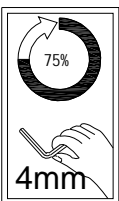
1



2

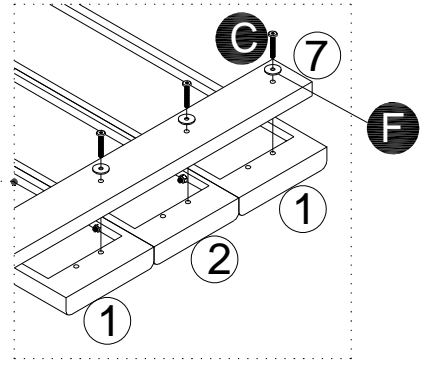
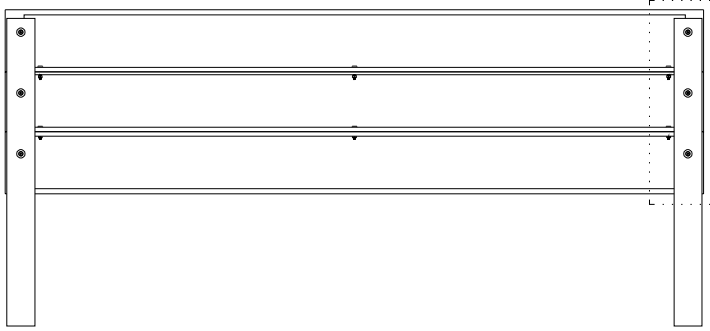


Only screw the bolts (A) in half way, so you can anchor the side panels in a later step. Refer to the image for proper screw positioning.

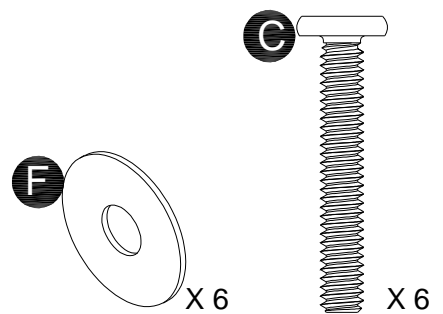
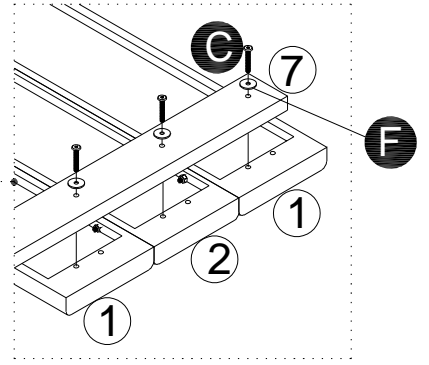
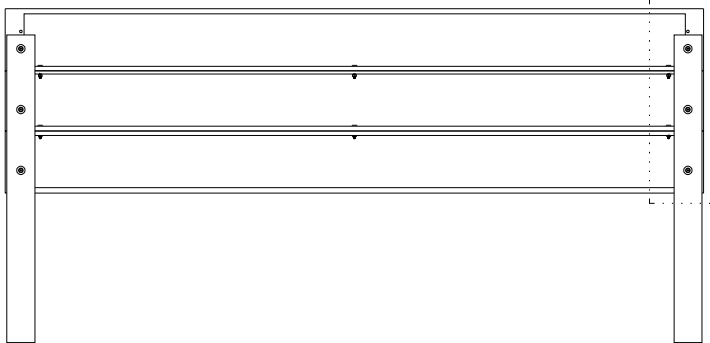


3

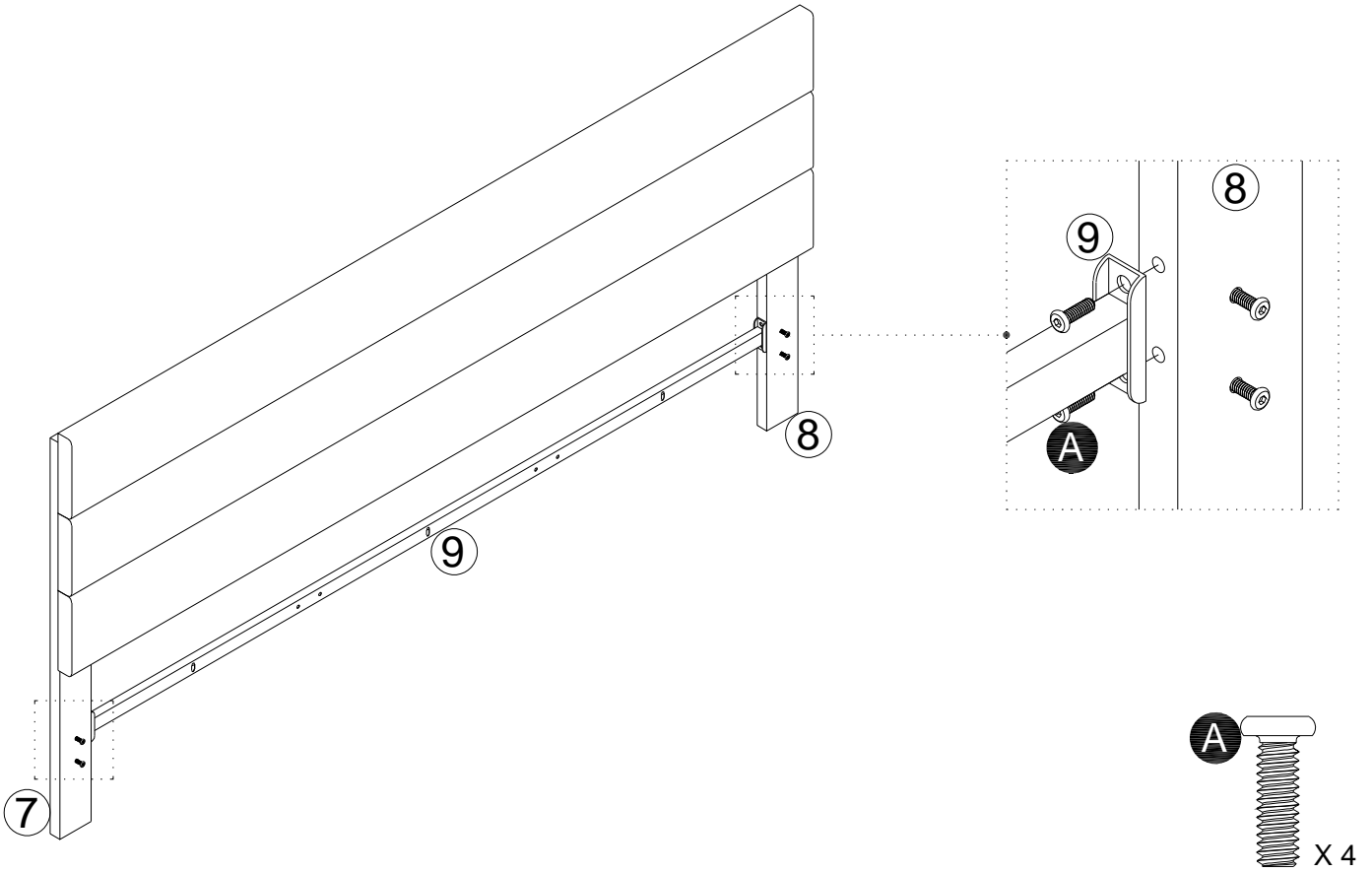
OPTION 1
(Lowest):



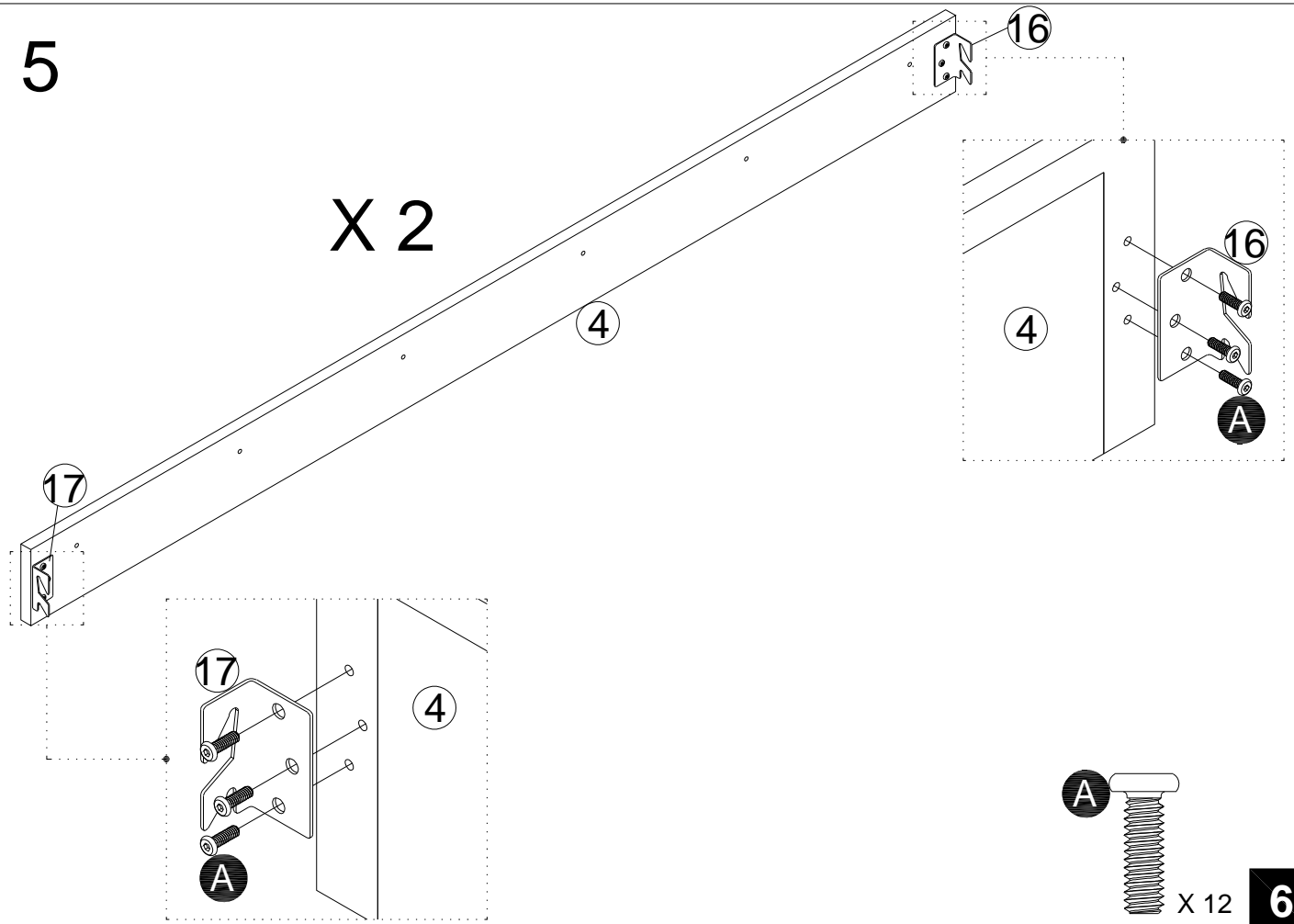
OPTION 2
(Highest):



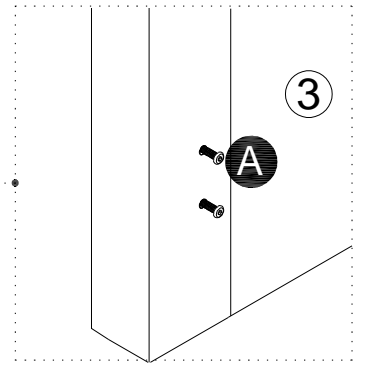
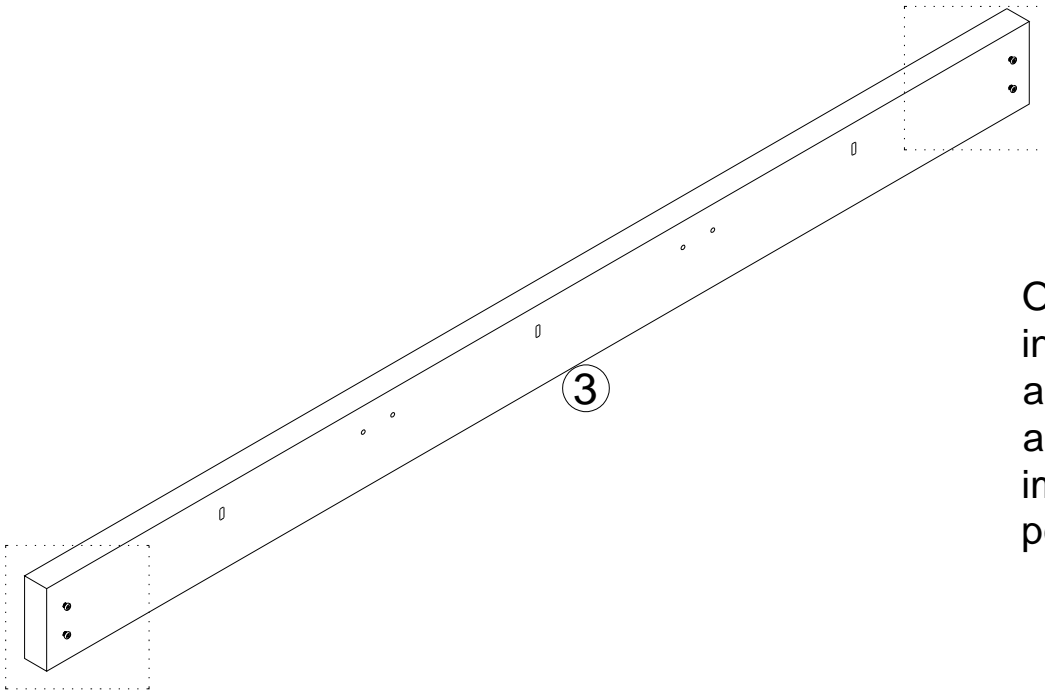
4



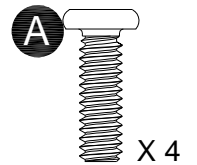
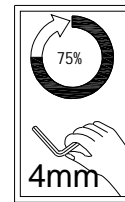
5



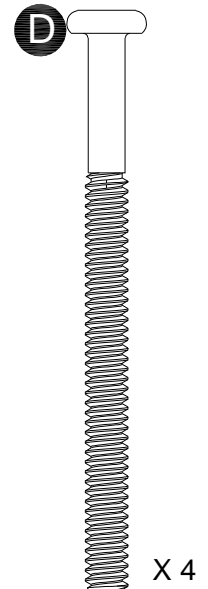
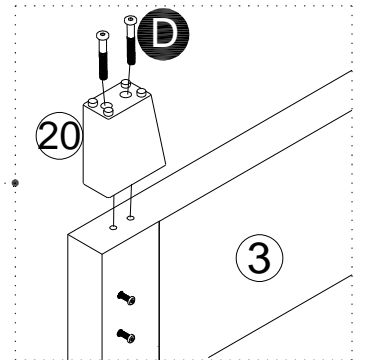
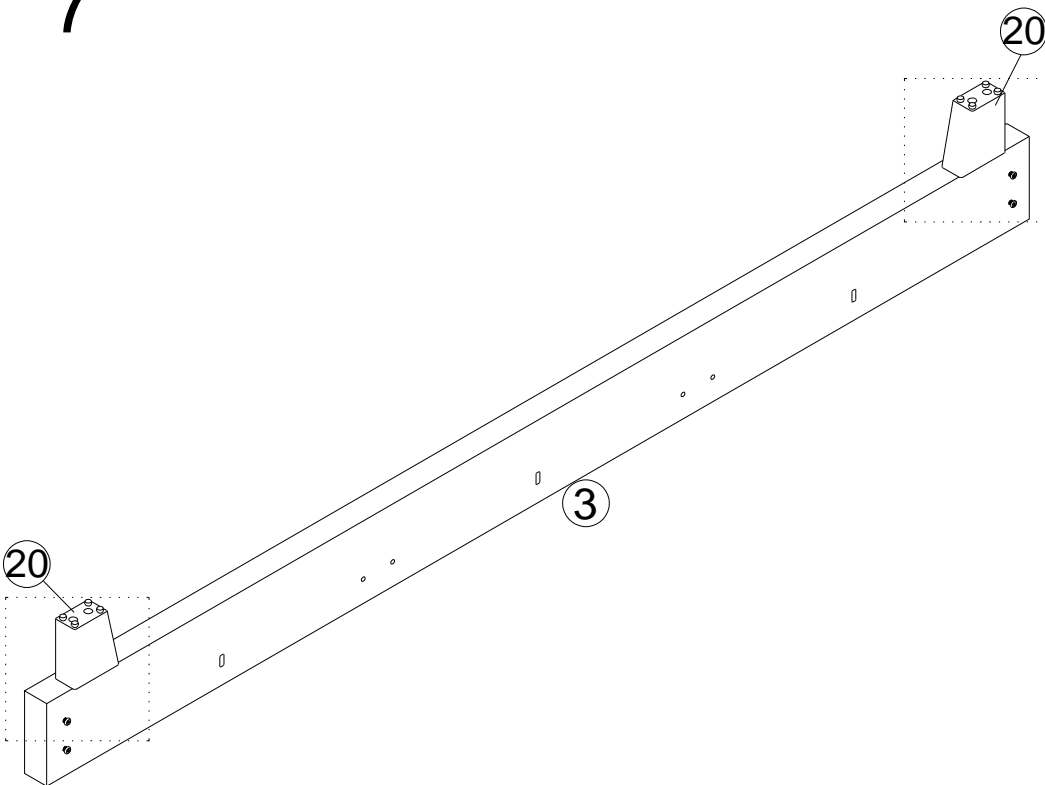
6



Only screw the bolts (A) in half way, so you can anchor the side panels in a later step. Refer to the image for proper screw positioning.

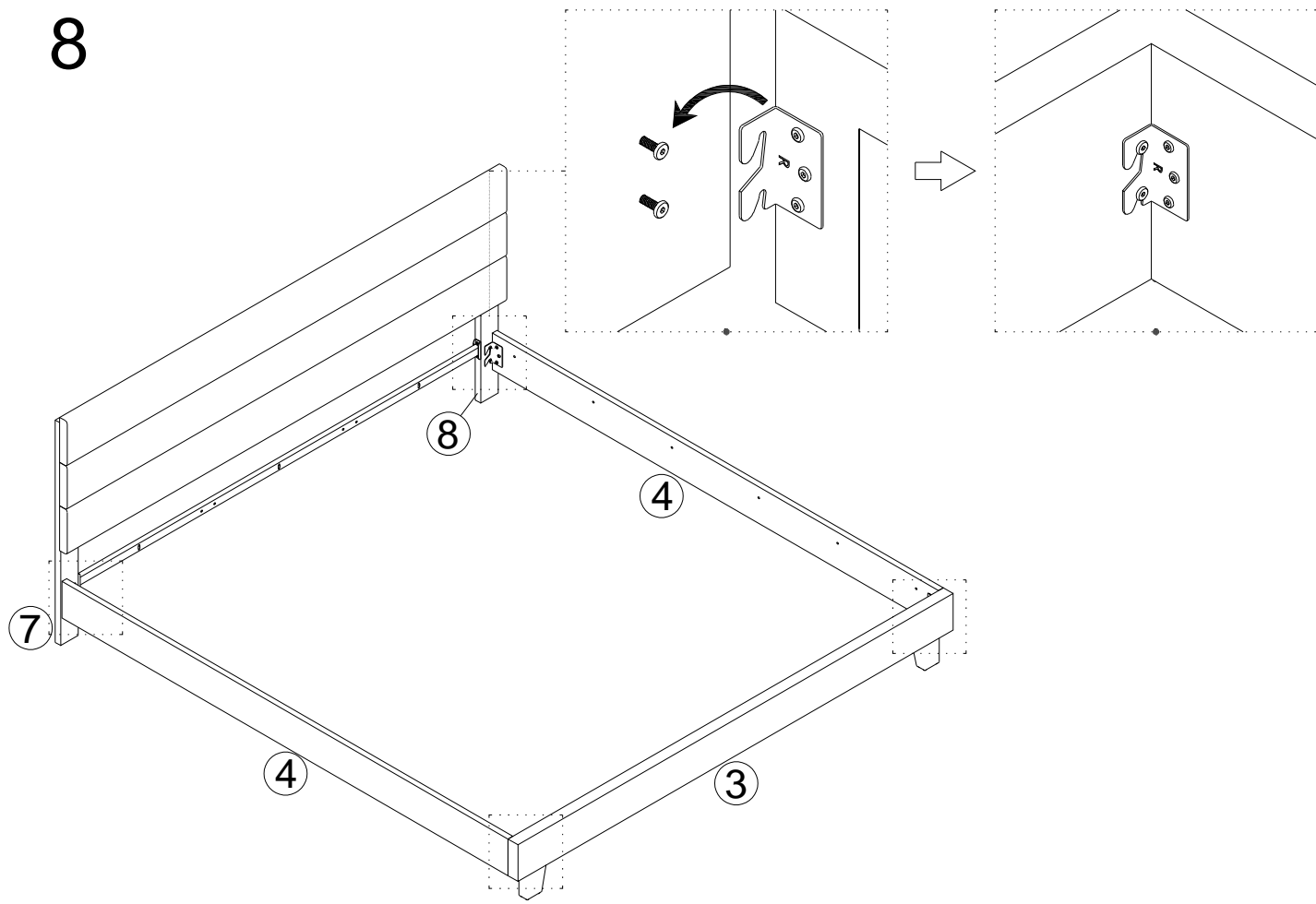


7

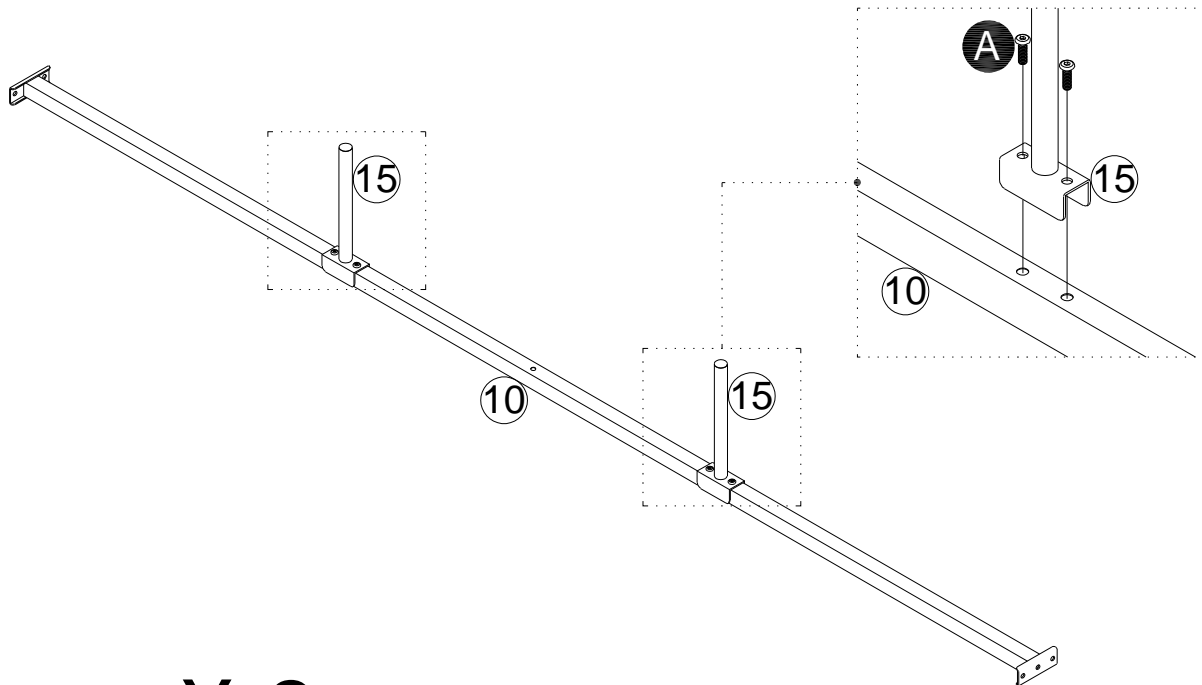


7

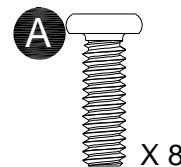
8



9



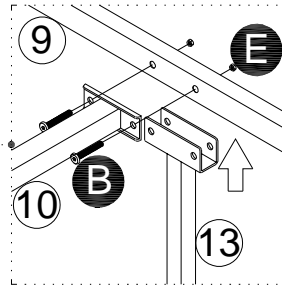
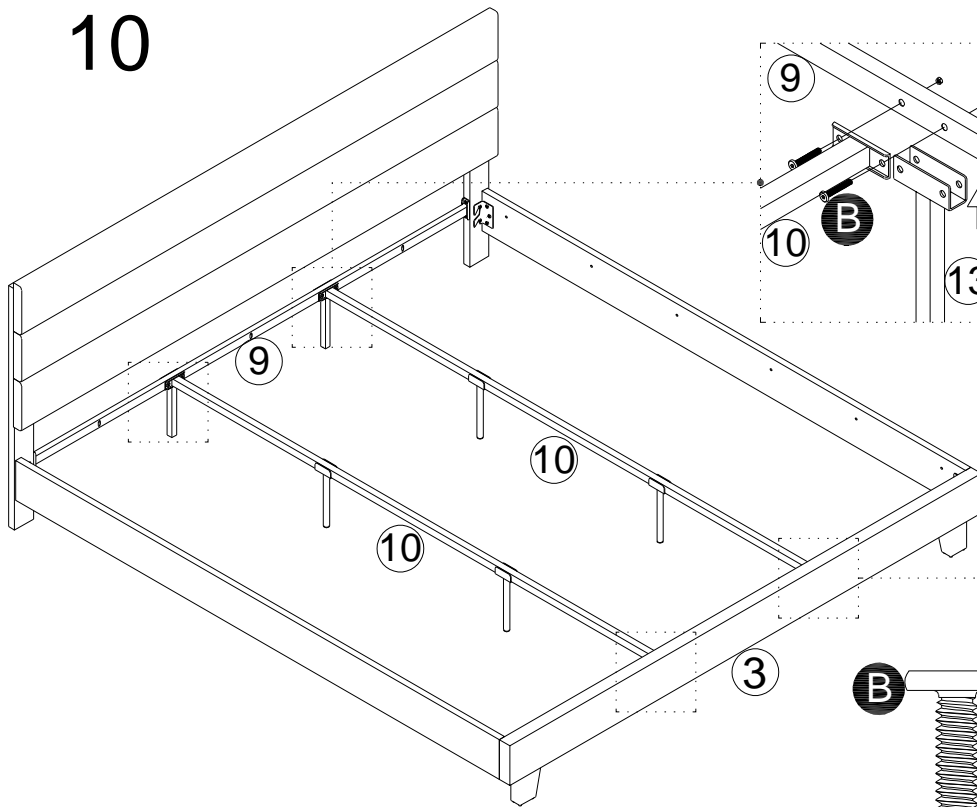
X 2



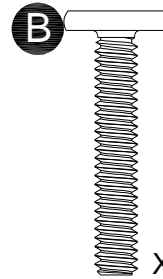
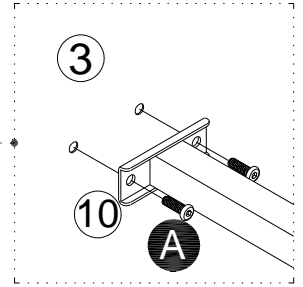
X 8

8

10



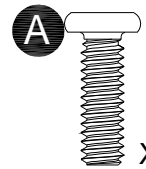
Before securing the center beam (10), place the support leg (13) onto the end rail (9) as shown in the image. The center beam needs to be screwed into both the support leg and end rail simultaneously to secure it in place.



X 4

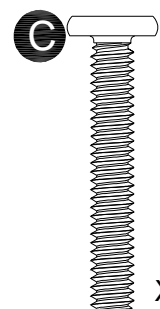
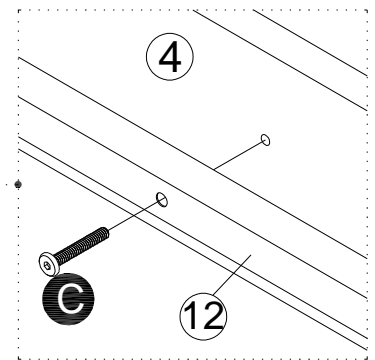
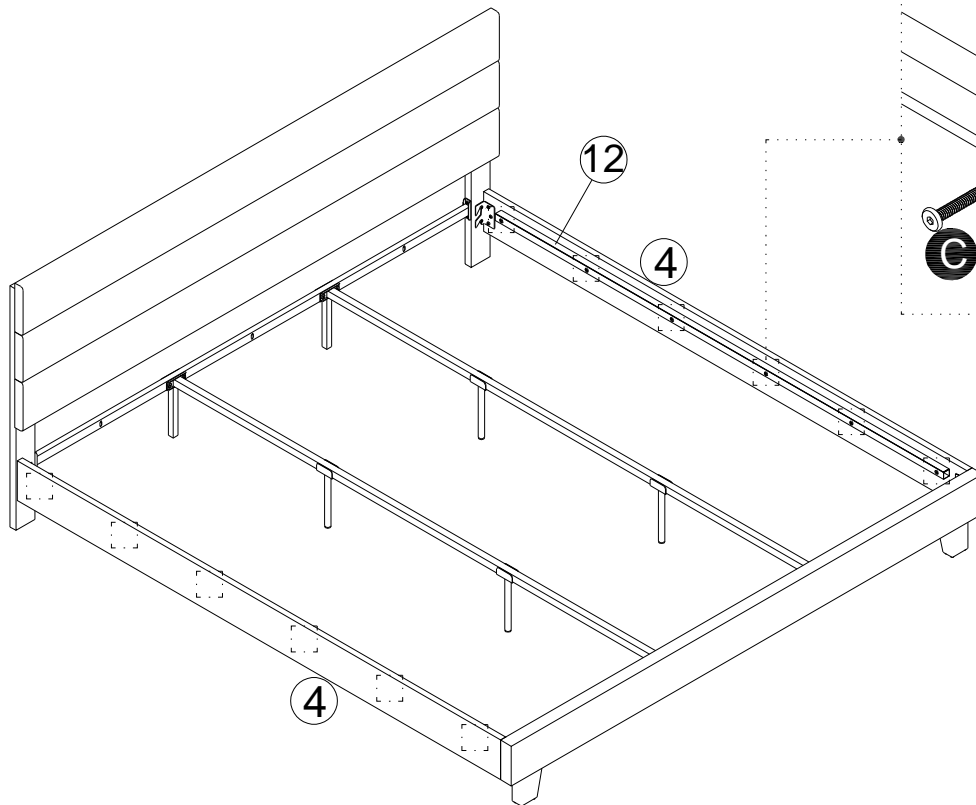


X 4



X 4

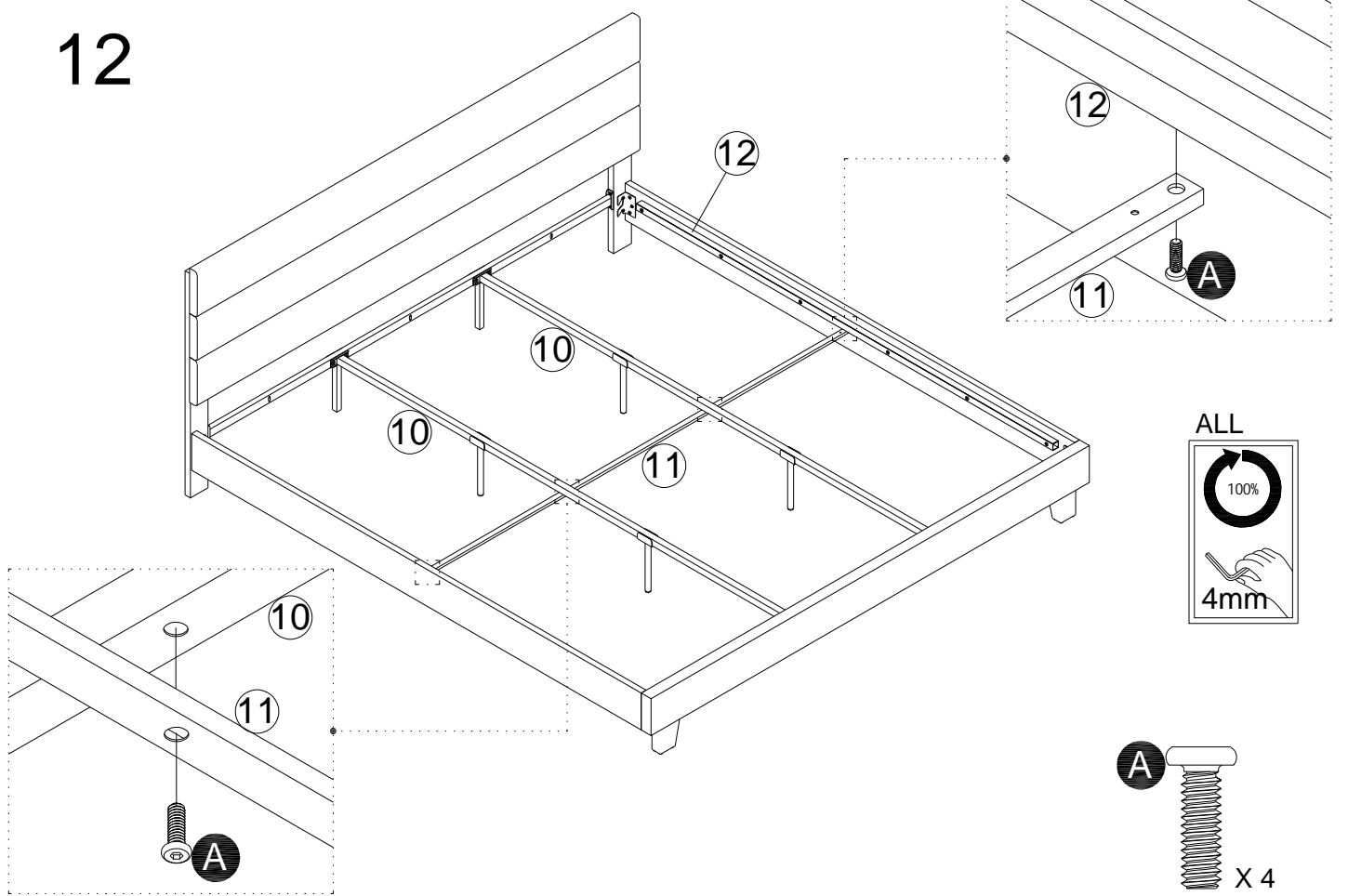
11



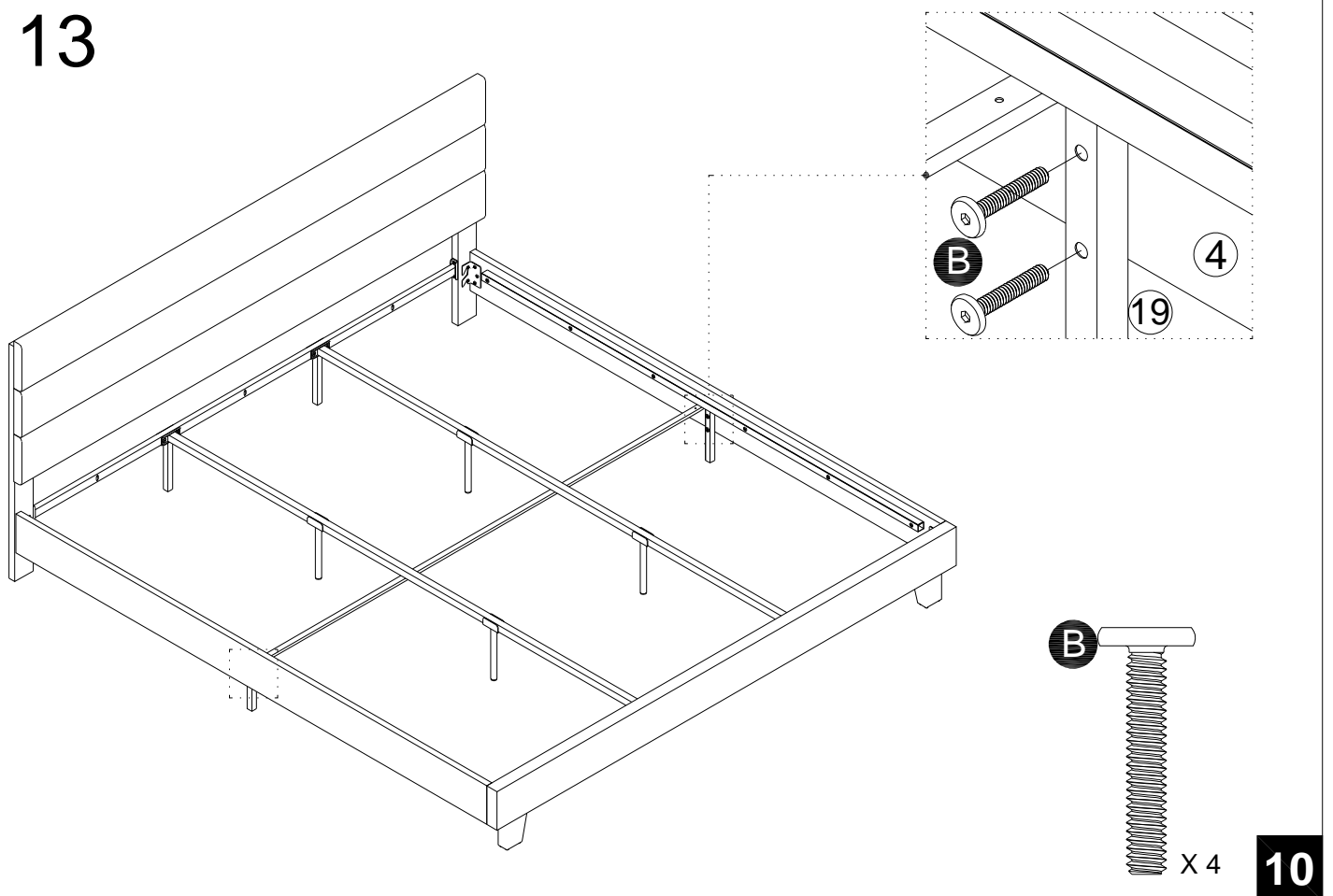
X 12

9

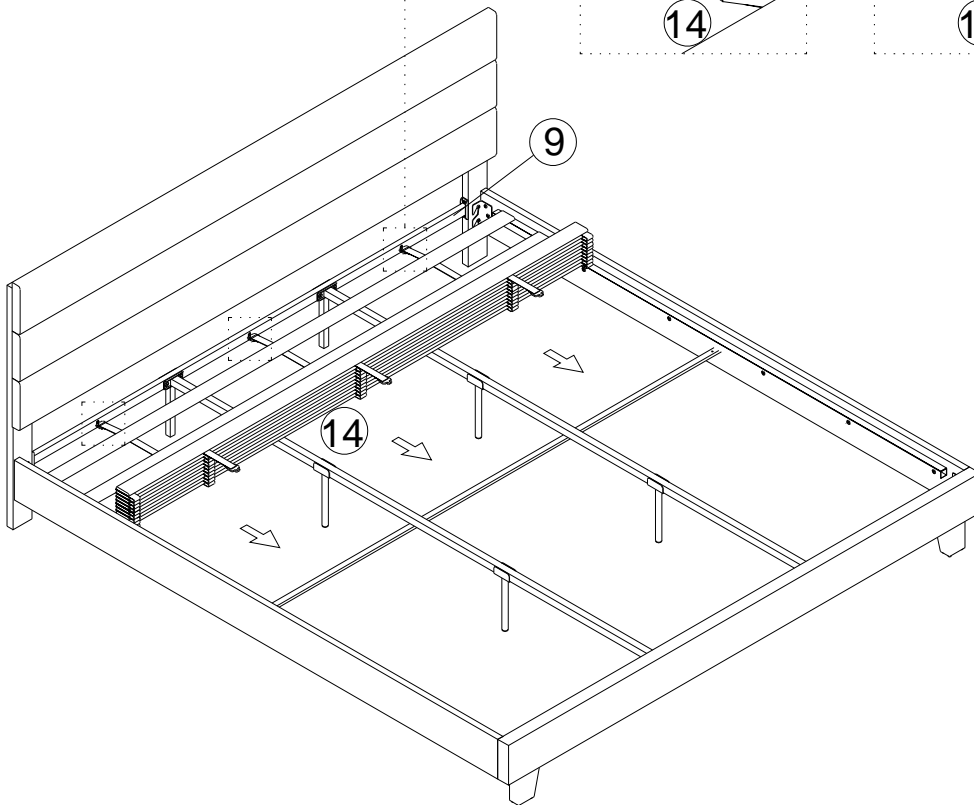
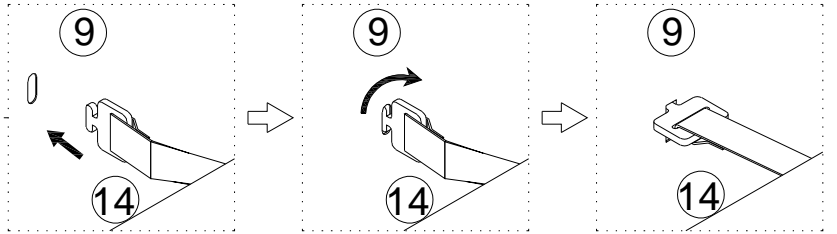
12



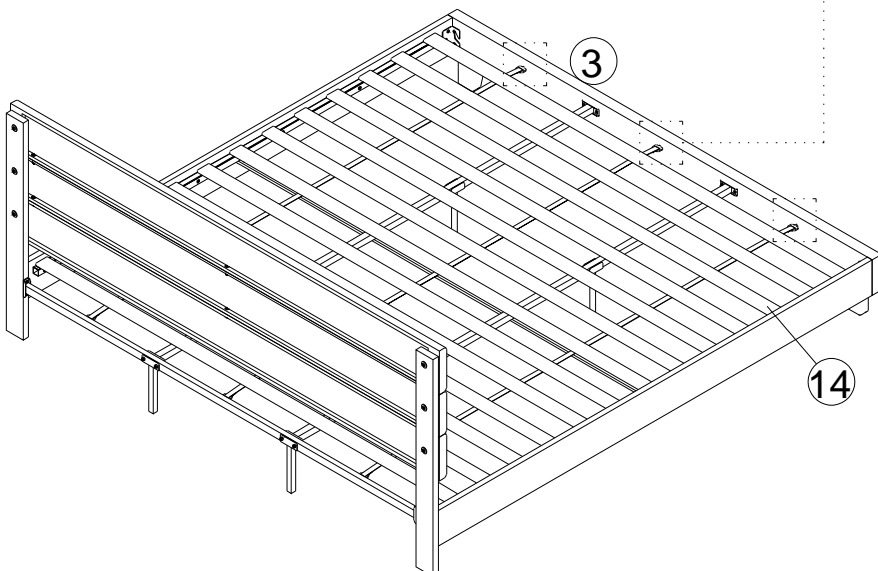
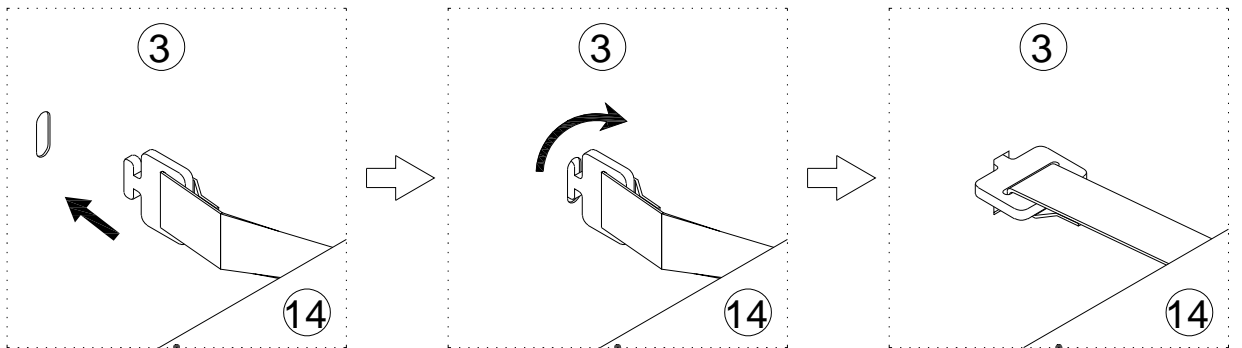
13



14



15



Questions?

We're here to help.

Call us at (845) 402-0665 or email us at cs@sanderscollection.com

1 Year Limited Warranty