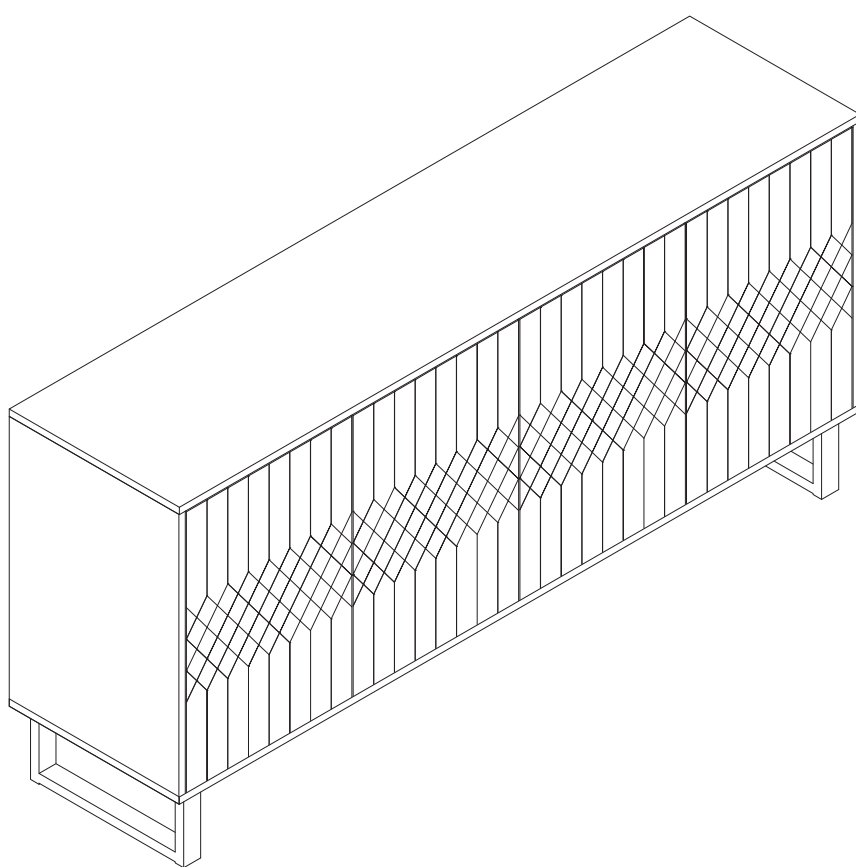
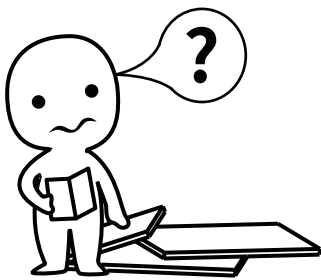


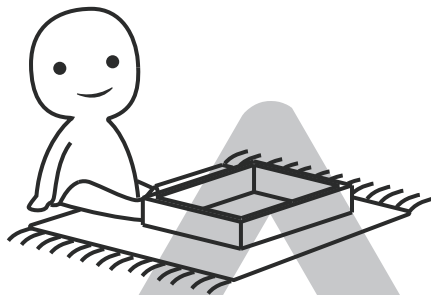
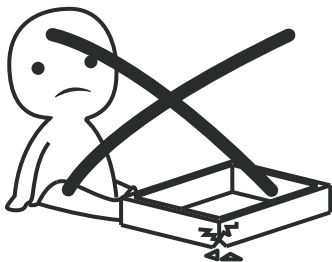
Sideboard





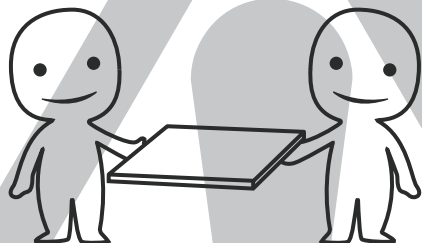
IMPORTANT INFORMATION!

please read the entire manual before starting to assemble and/or using this product. follow the manual thoroughly and keep it for further reference.



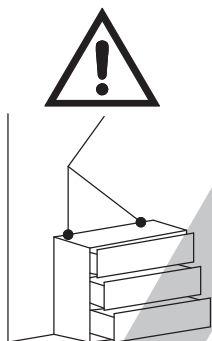
AVOID SCRATCHES!

In order to avoid scratching this furniture should be assembled on a soft layer - could be a rug.



IMPROVE EFFICIENCY !

Try to find a partner to install with you, which can speed up the installation efficiency and shorten the time.



ANTI-TOPPLE WARNING !

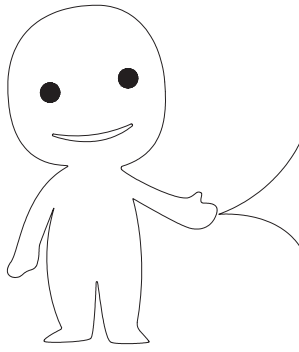
Overturned furniture can cause serious or fatal crush injuries. To prevent tipping over, be sure to use the wall attachment, if not included with this product. Please purchase the wall attachment that fit your wall. If unsure, seek professional advice. Please read and follow each step of the instructions carefully.

IMPORTANT !

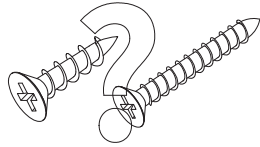
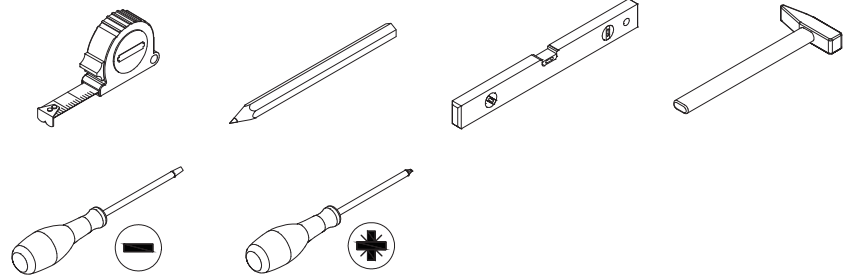
It is important that any product which is assembled using any kind of screw is re-tightened 2 weeks after assembly, and once every 3 months - in order to assure stability through-out the lifespan of the product.

For regular maintenance and cleaning of the product, for the frame, please use a rag dipped in neutral detergent to fully wipe it, and then dry it with a clean rag. For glass materials, wipe with a rag dampened with water glass cleaner, and then dry with a dry rag.

Do not use an electric screwdriver, and do not use too much force when installing, because the board is easy to break.

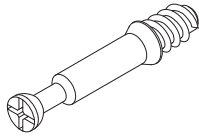


Please prepare the following tools



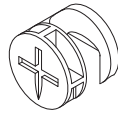
When installing, please carefully confirm whether each screw corresponds to the manual, accessories with similar shapes can be distinguished by size

Ax6



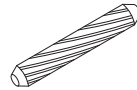
Ø6x35mm

Bx6



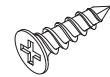
Ø15x9.5mm

Cx12



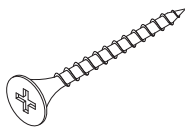
Ø6x30mm

Dx56



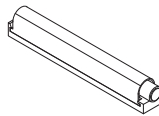
Ø3.5x12mm

Ex8

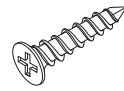


Ø4x35mm

Fx4

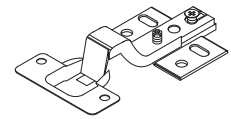


Gx24

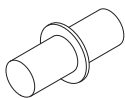


Ø4x14mm

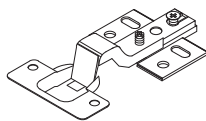
Hx4



Ix8



Jx4



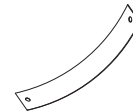
Kx2



K1



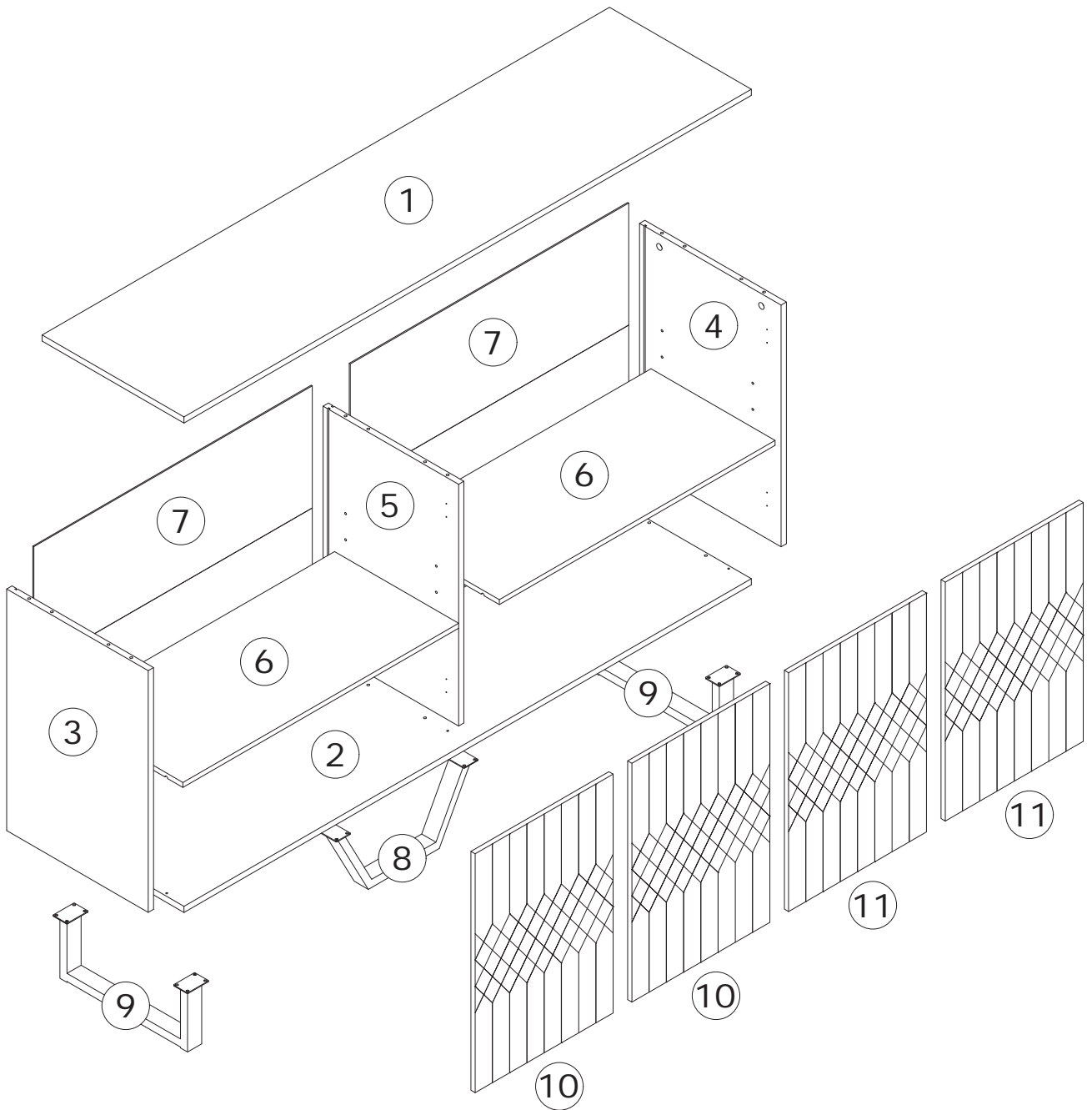
K2



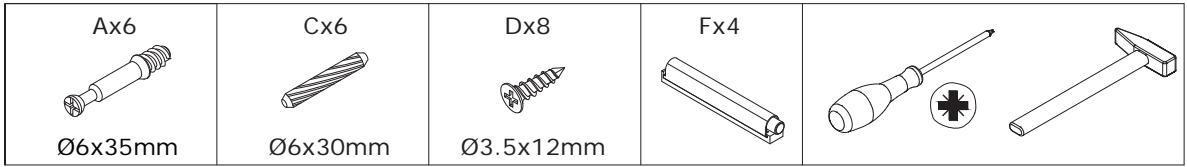
K3

Lx2

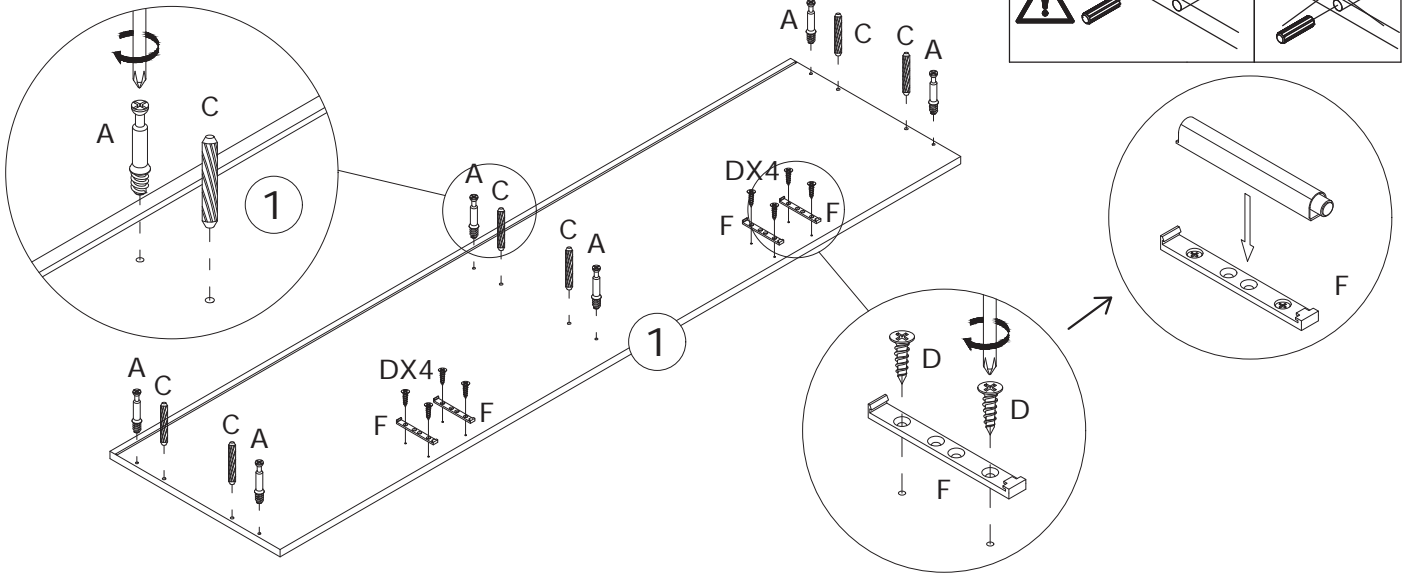
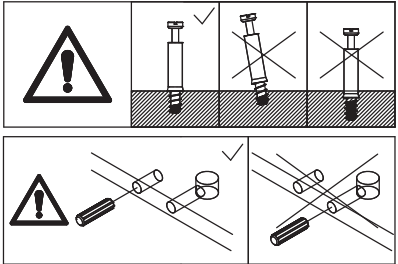




1



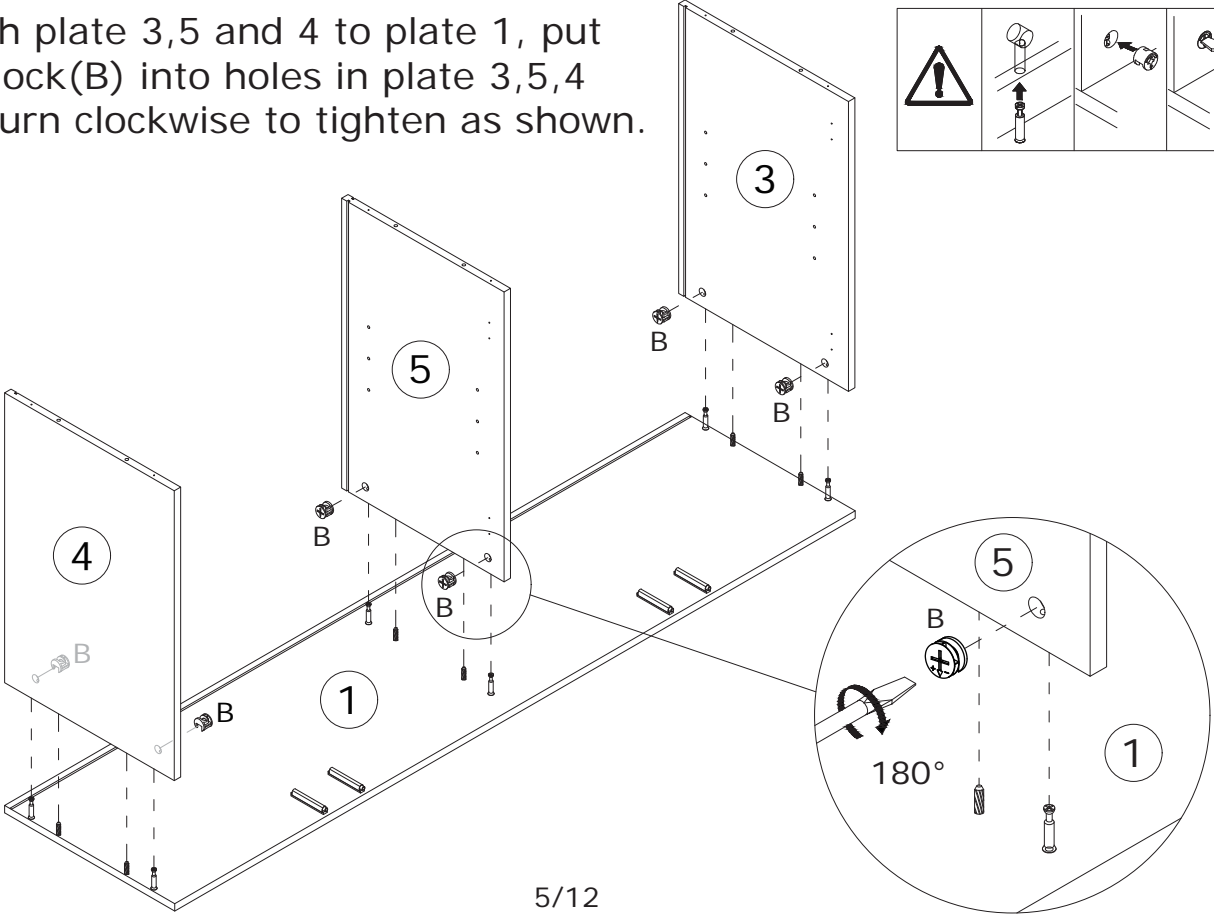
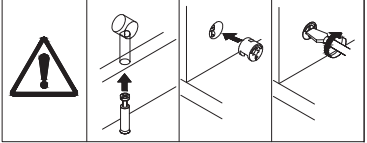
Screw quickfit screw(A) into corresponding holes in plate 1 with a screwdriver as shown. Insert wooden dowel(C) into plate 1 as shown. Fix part(F) to plate 1 using screw(D) as shown.



2



Attach plate 3,5 and 4 to plate 1, put cam lock(B) into holes in plate 3,5,4 and turn clockwise to tighten as shown.

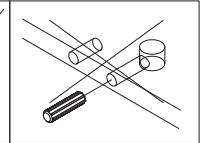
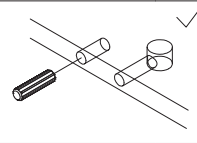
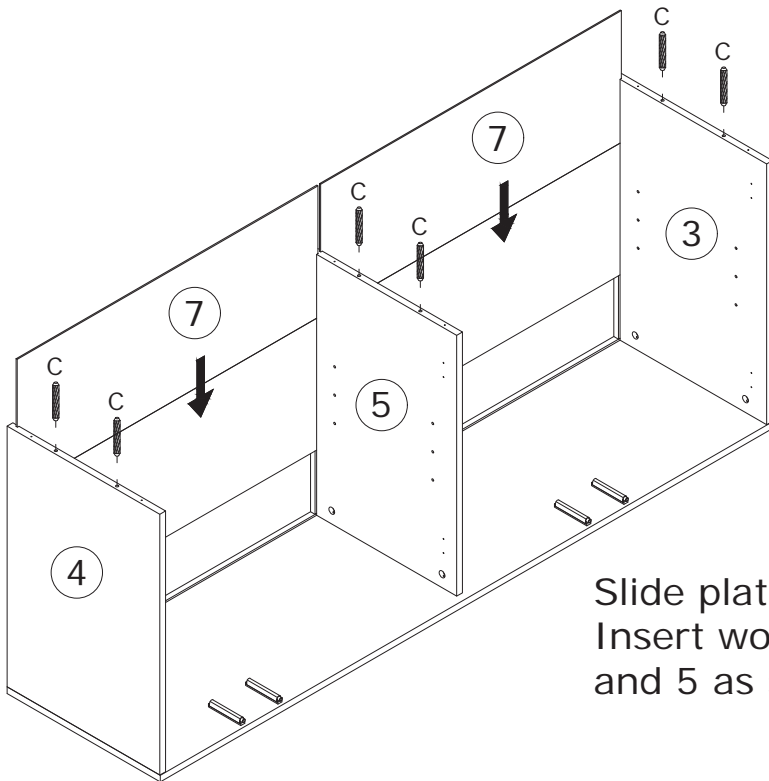
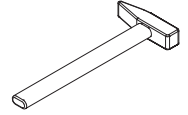


3

Cx6



Ø6x30mm



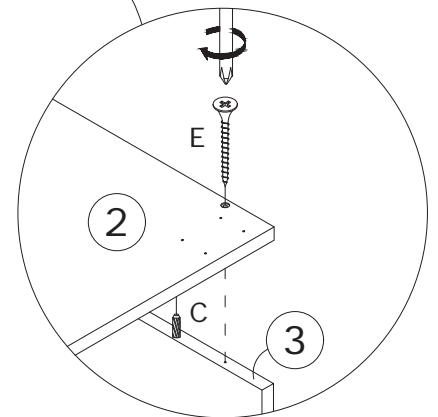
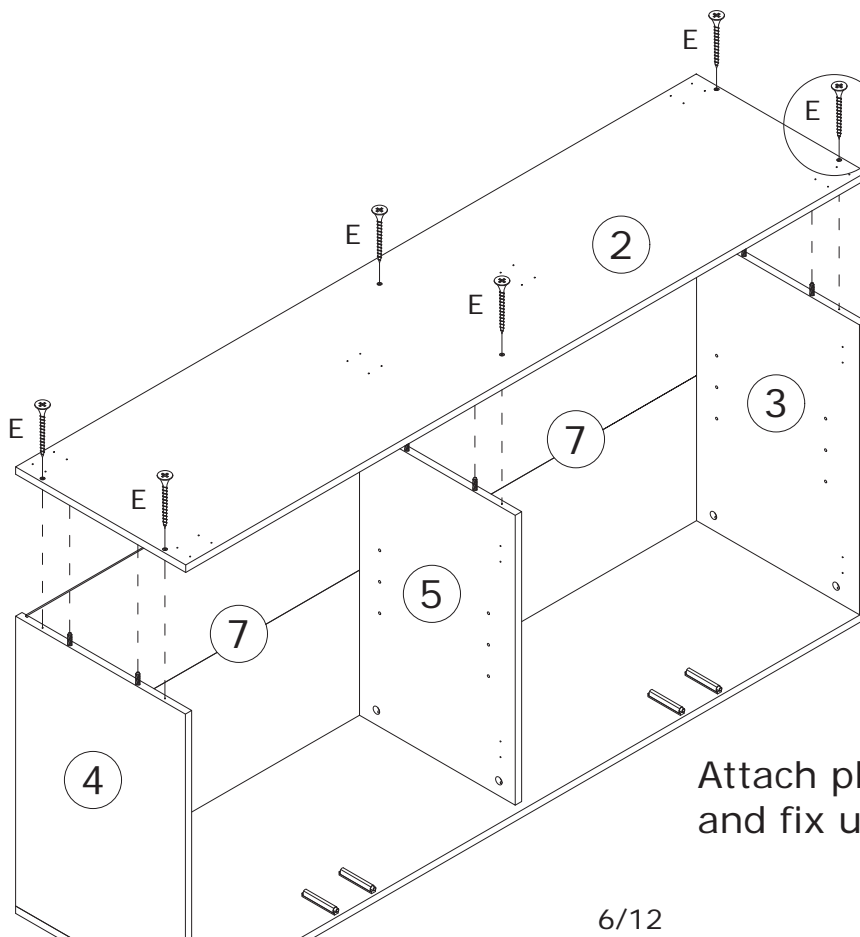
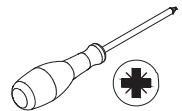
Slide plate 7 along grooves as shown.
Insert wooden dowel(C) into plate 3,4
and 5 as shown.

4

Ex6

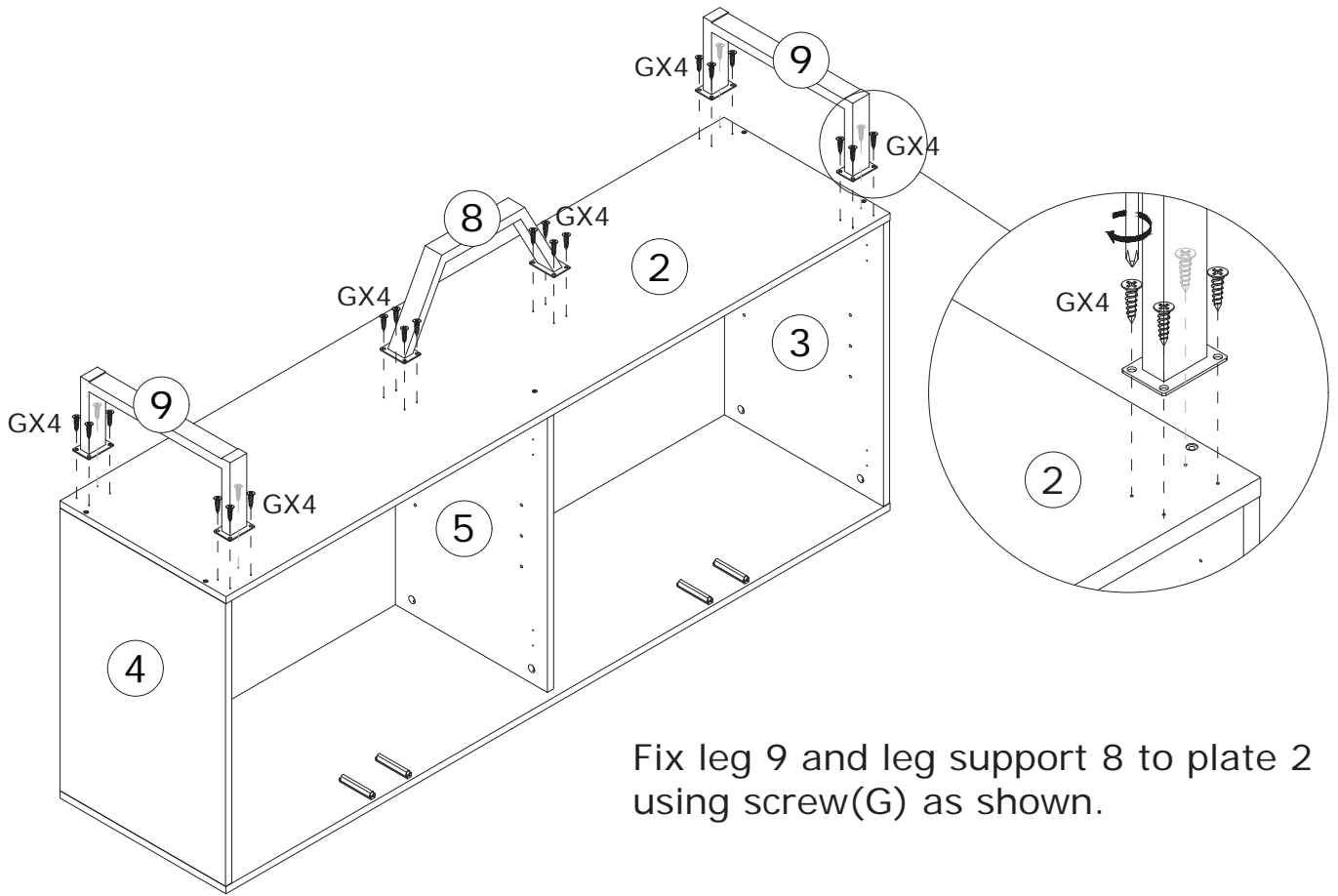


Ø4x35mm



Attach plate 2 to plate 3,5 and 4,
and fix using screw(E) as shown.

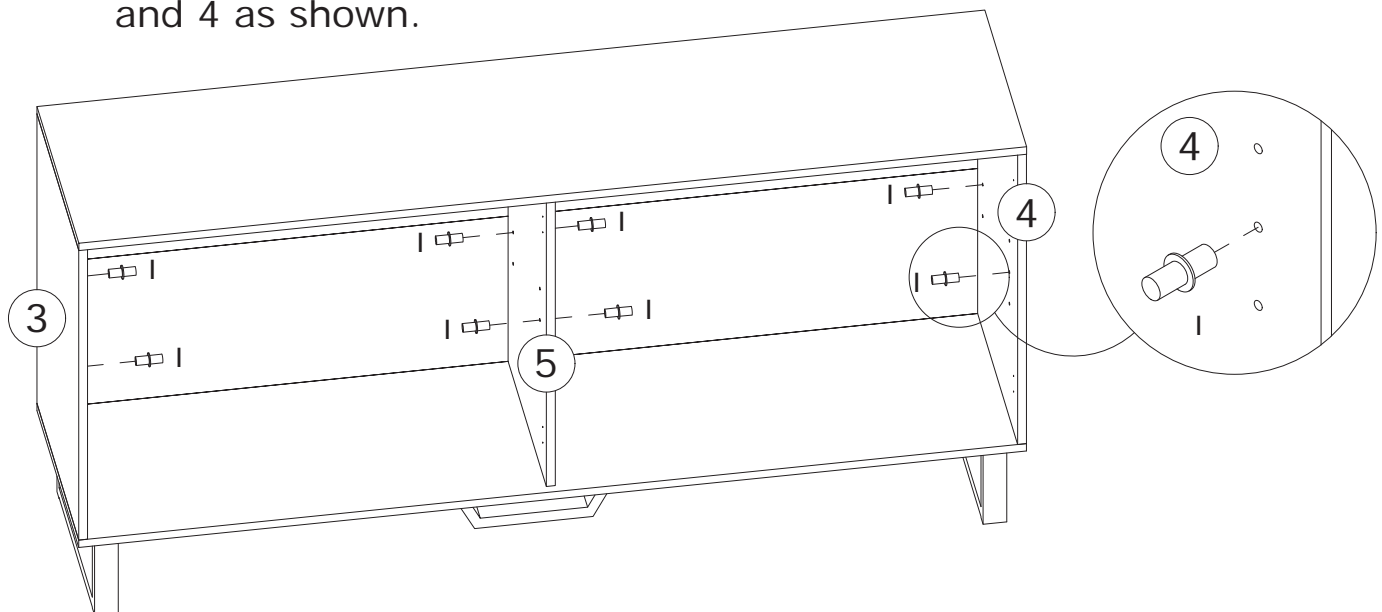
5



6

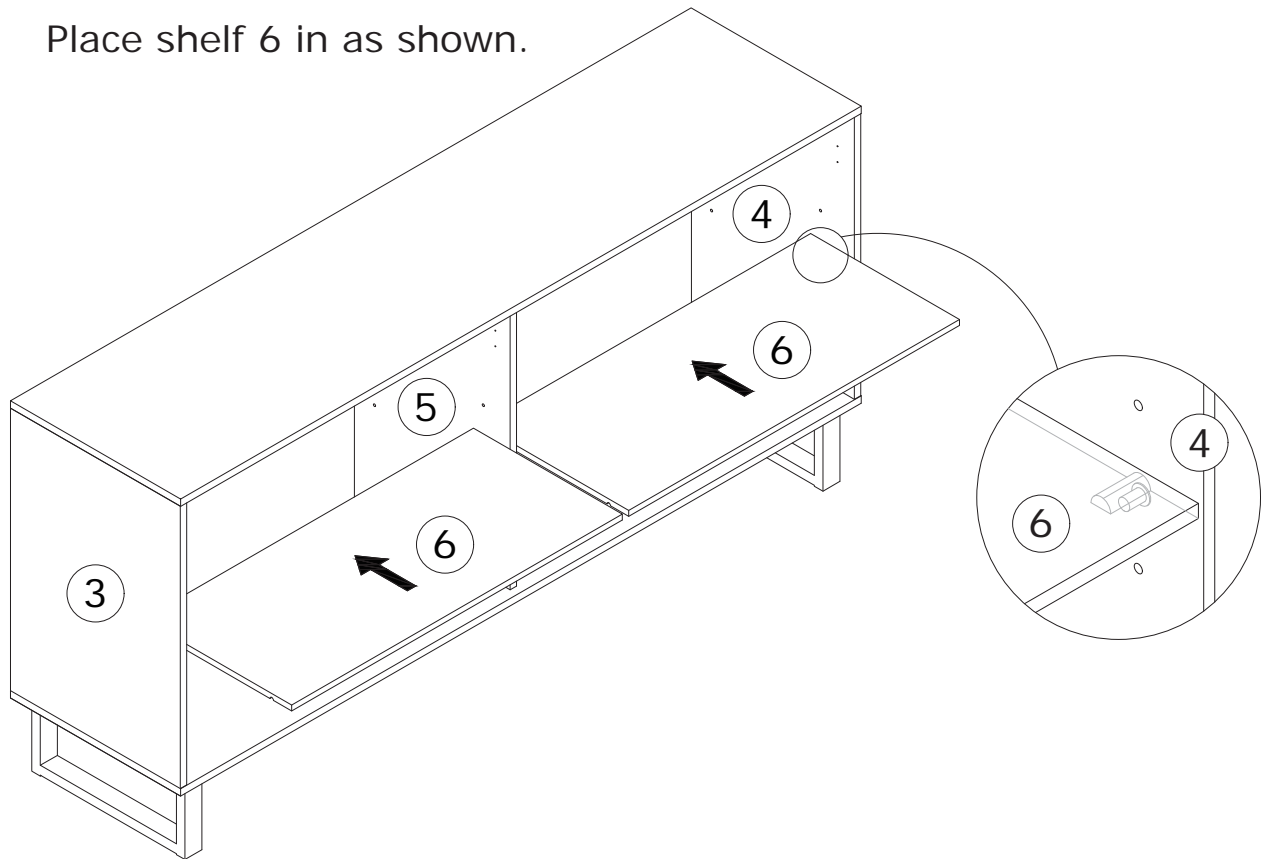


Insert part(I) into holes in plate 3,5 and 4 as shown.

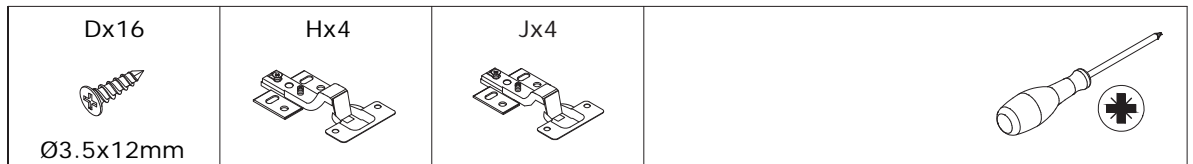


7

Place shelf 6 in as shown.

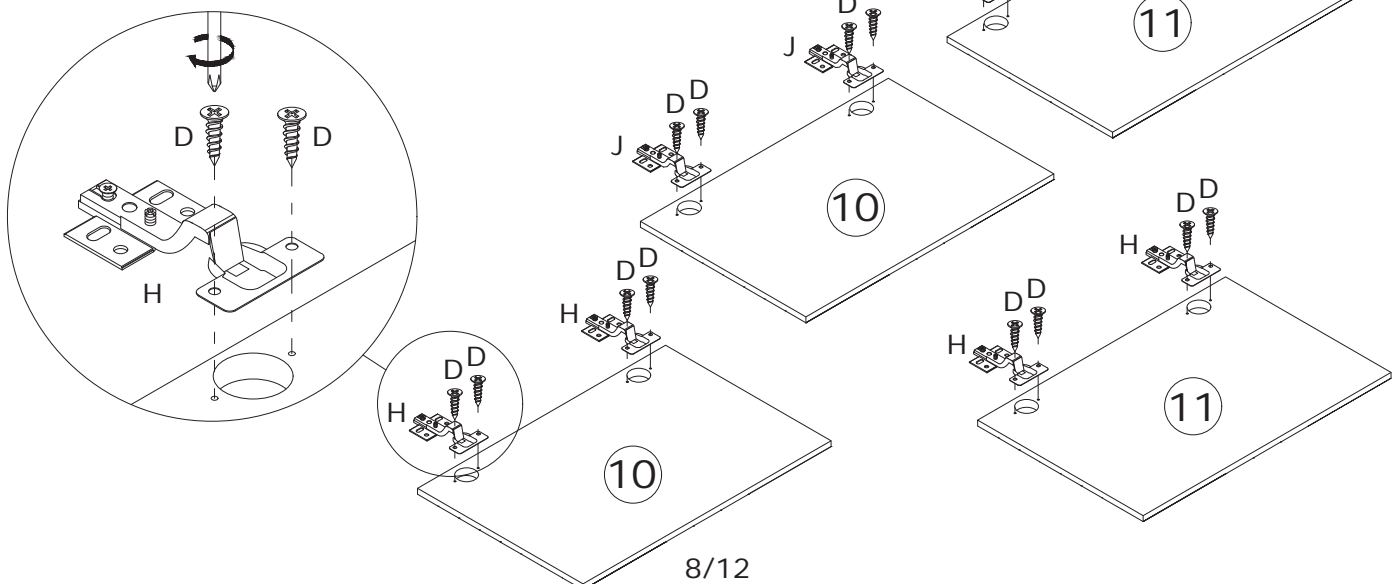


8




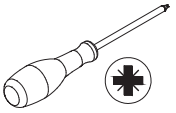
Fix hinge(J) to plate 10 and 11 respectively using screw(D) as shown.

Fix hinge(H) to another plate 10 and 11 respectively using screw(D) as shown.

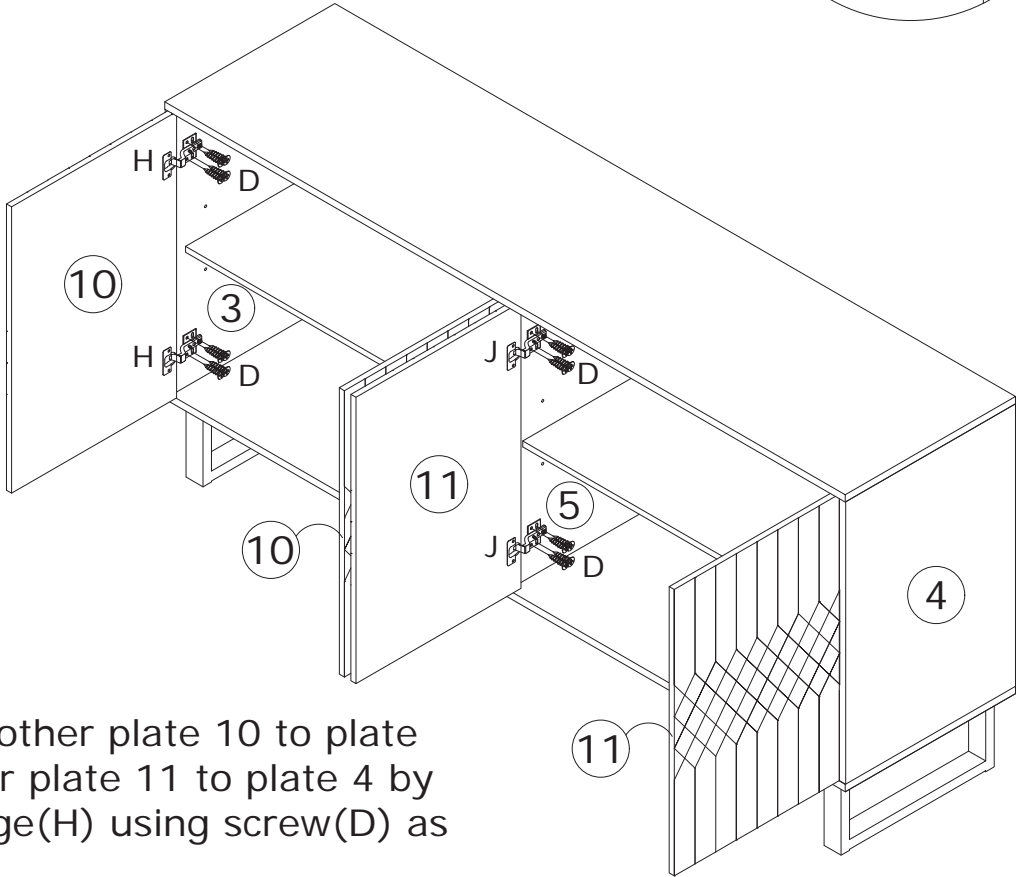
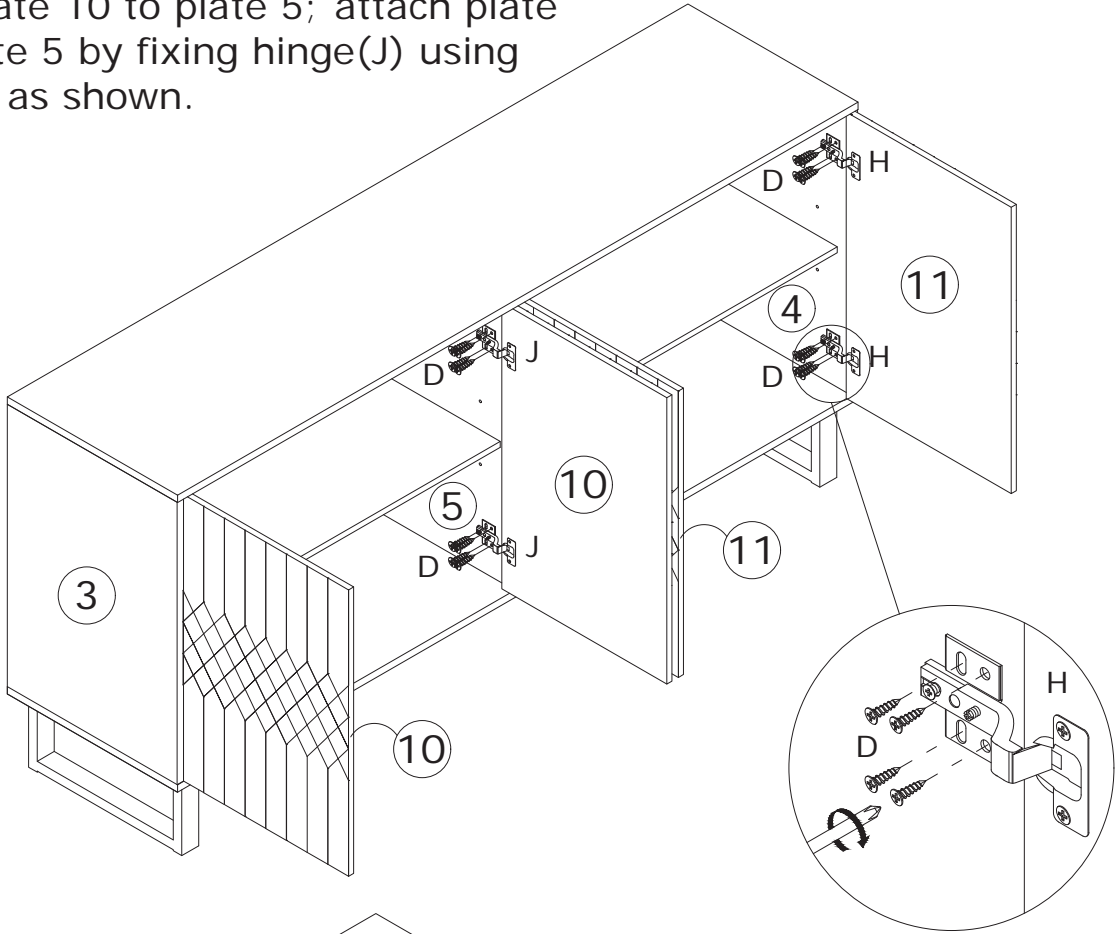


9

Dx32

Ø3.5x12mm

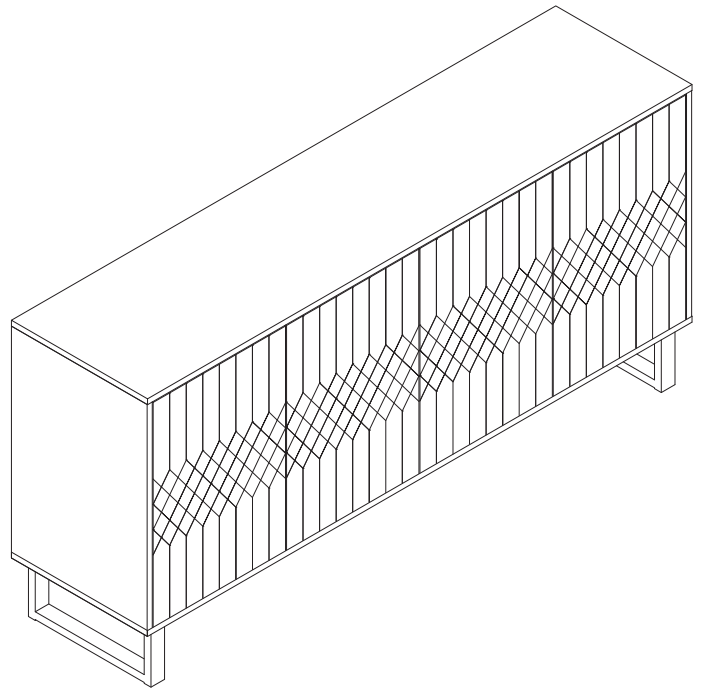
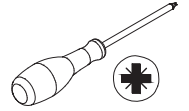


Attach plate 10 to plate 5; attach plate 11 to plate 5 by fixing hinge(J) using screw(D) as shown.

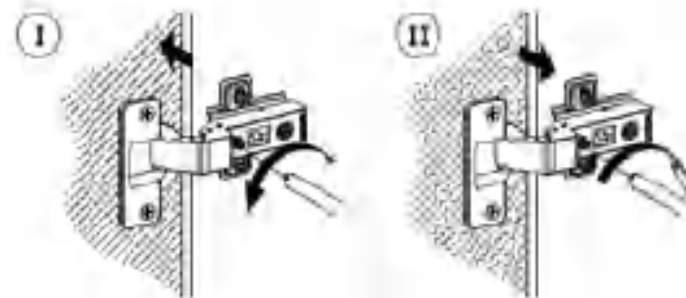
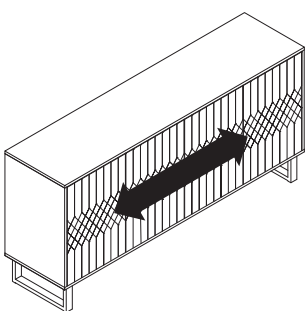
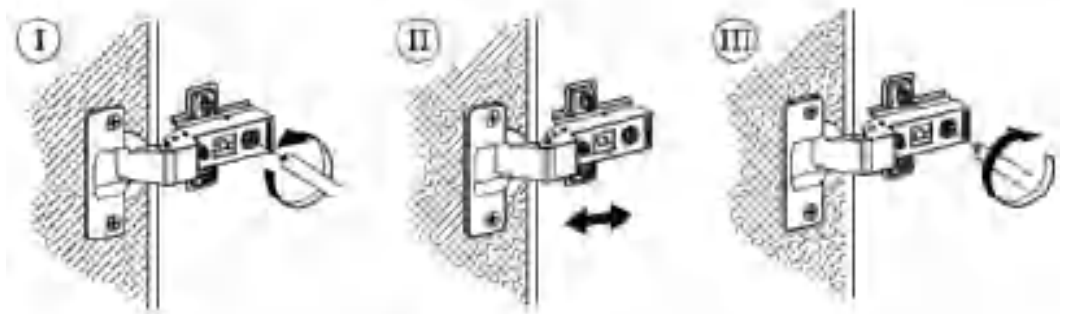
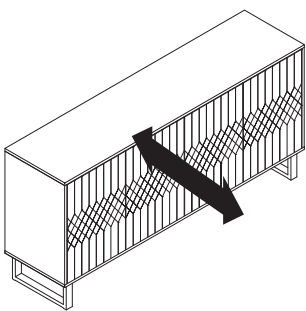
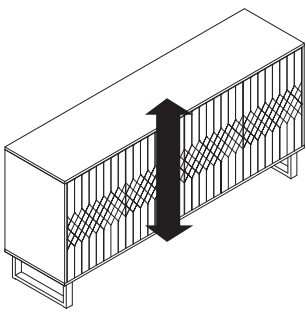


Attach another plate 10 to plate 3; another plate 11 to plate 4 by fixing hinge(H) using screw(D) as shown.

10



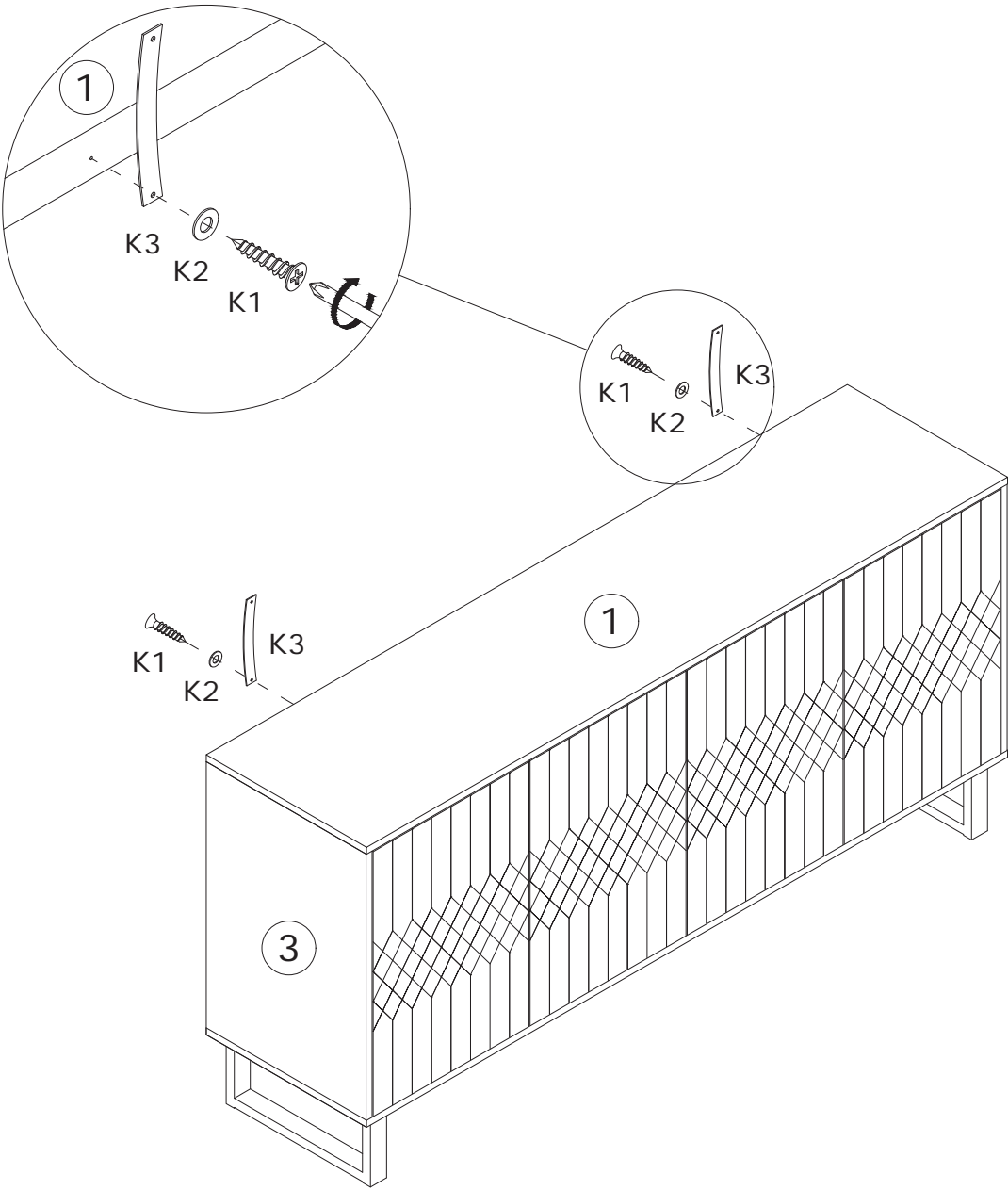
Adjust hinge screws to make door alignment.



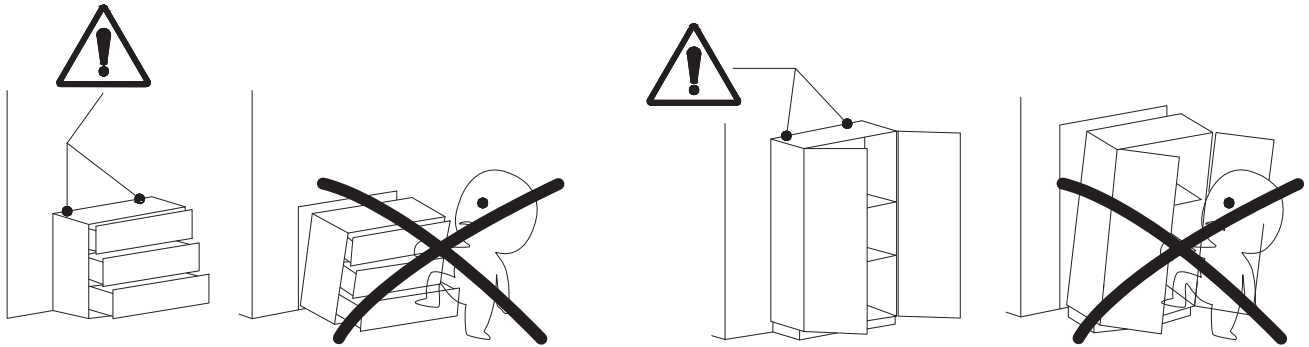
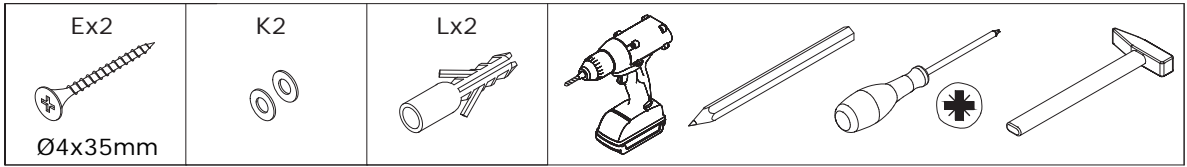
11



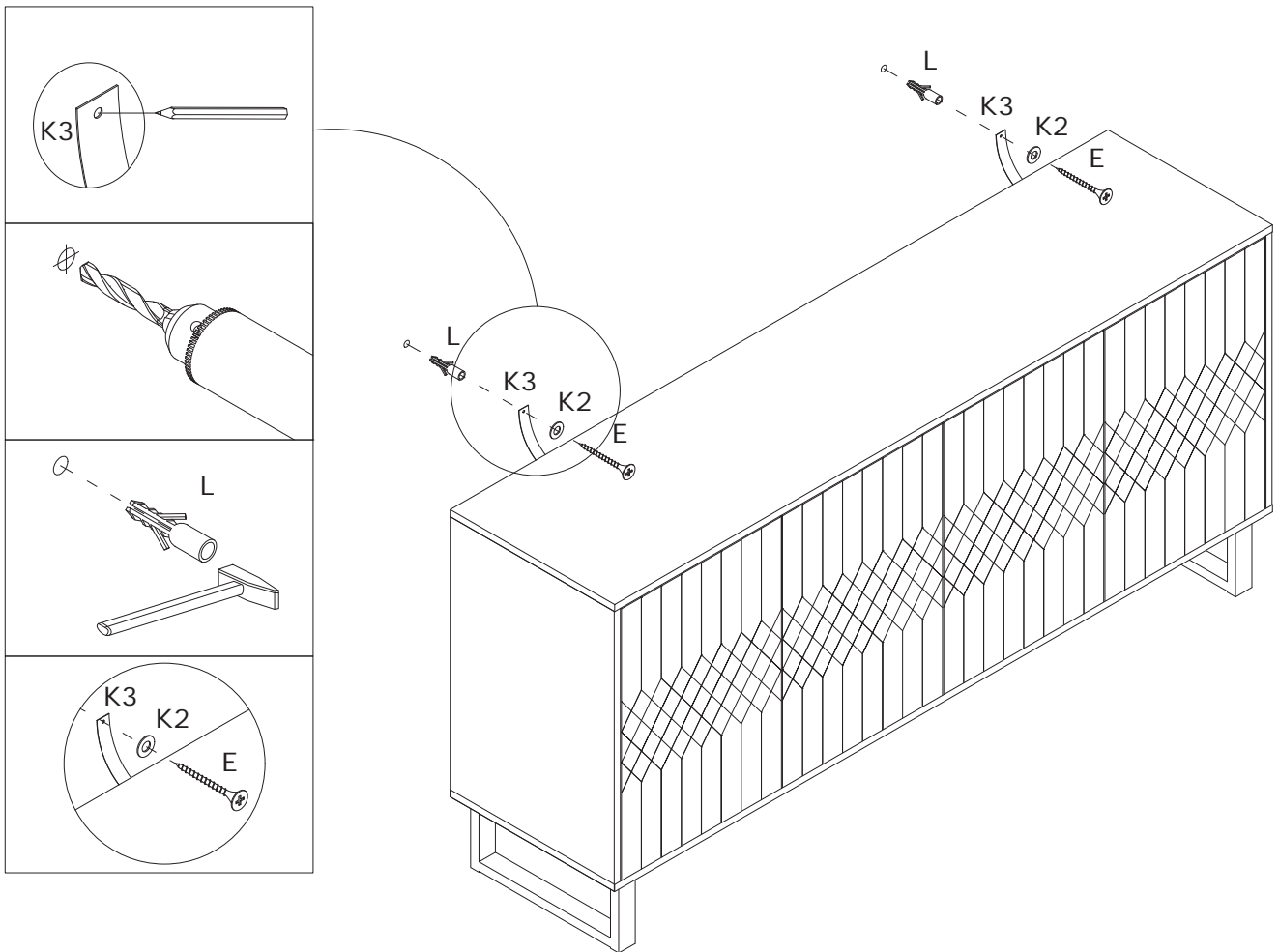
Fix part(K3) to back of plate 1 using washer(K2) with screw(K1) as shown.



12



Install anti-tipping device as shown.



WARRANTY

WARRANTY CLAIMS

- There is a 30-day warranty for broken furniture or any other problems that do not work properly. The warranty will start from the date of purchase which must be verified by proof of purchase.
- Before making a claim, we may be able to answer your query, simply visit ***feedbackstation@163.com*** for further information. Our dedicated After-sale Team will endeavour to answer all messages within 48 hours. Please leave your purchase order number, along with some details of the problem, if you want a replacement part. We will arrange within 48 hours. If there is out of stock, we will reply with a shipping date.
- The product must be used in accordance with the instructions provided. For health reasons.
- For other reasons, if the furniture needs to be returned, it must be cleaned and dried and operated within 30 days of receipt.

Type of Warranty Claim

- Failure to follow the furniture instructions will invalidate the warranty. Attention please.
- Does not include damage during installation, but includes damage during transportation.

Scope of responsibility

- Shall not bear any responsibility for misuse or user damage and / or loss of parts during the installation of furniture.
- After using, the damage and scratches of the furniture are not covered by the warranty.

The Warranty Relates to All Bought in The Us and Covers The Following Areas

- Sheet parts: 6 months from the date of purchase.
- Electrical parts: 3 months from the date of purchase.