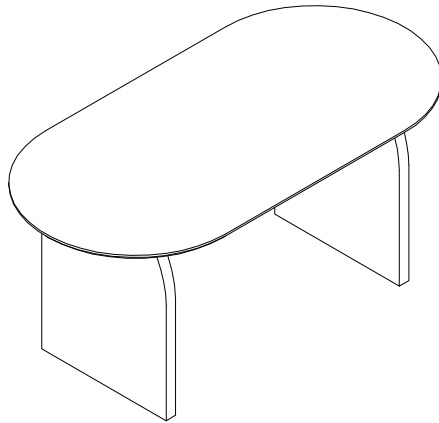
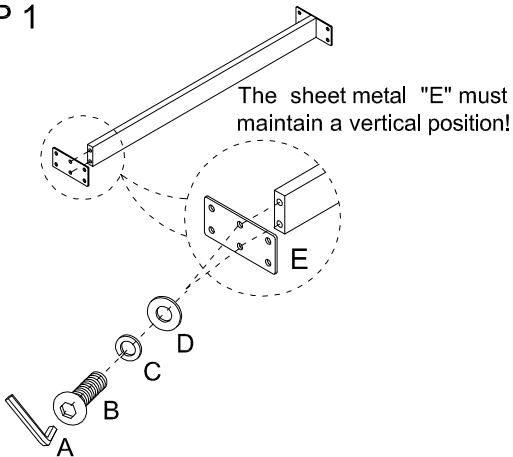


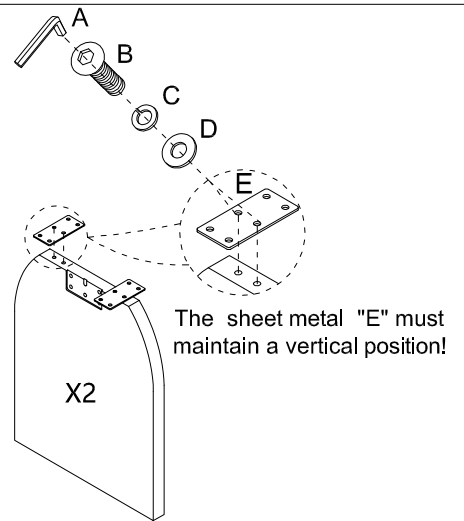
# ASSEMBLY INSTRUCTIONS



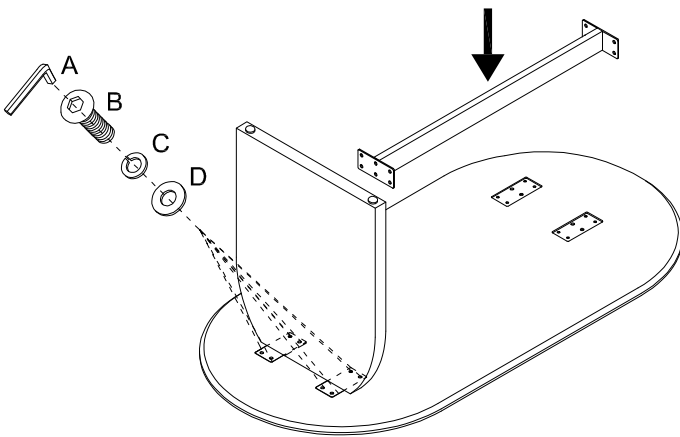
## STEP 1



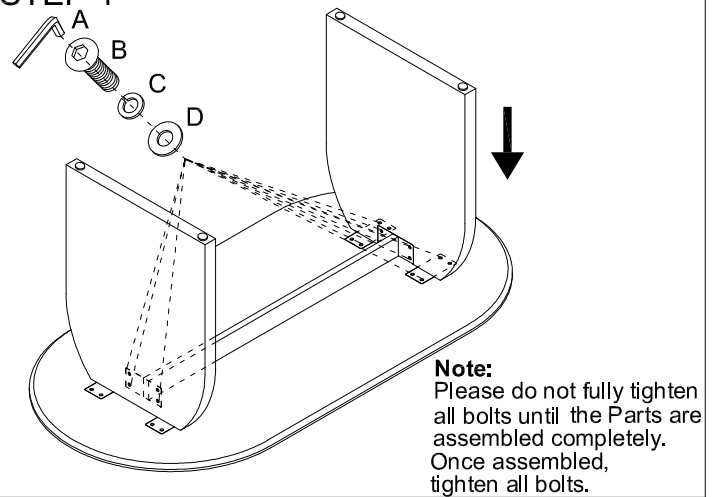
## STEP 2



## STEP 3



## STEP 4

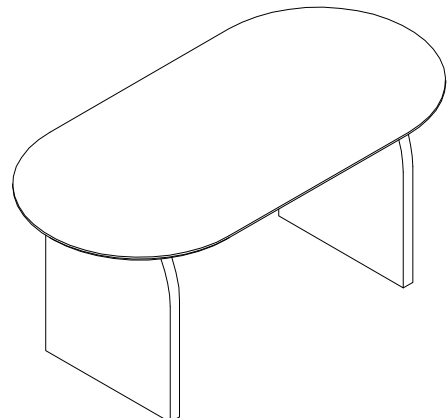


### PARTS LIST

	Top Panel	1PC
	Legs	2PCS
	Wood Rail	1PC

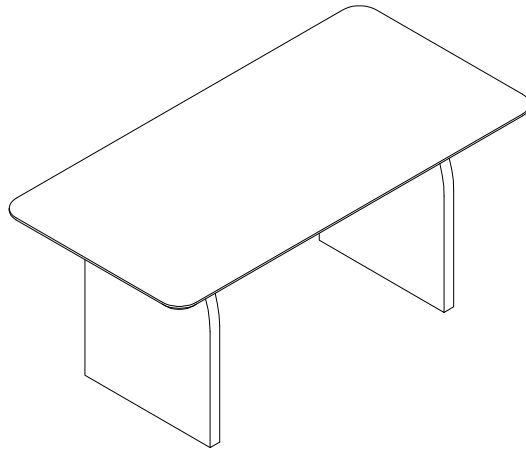
### HARDWARE LIST

A		1PC	5/16"
B		36PCS	5/16" *3/4"
C		36PCS	5/16"
D		36PCS	5/16"*19MM
E		6PCS	148*68*3MM

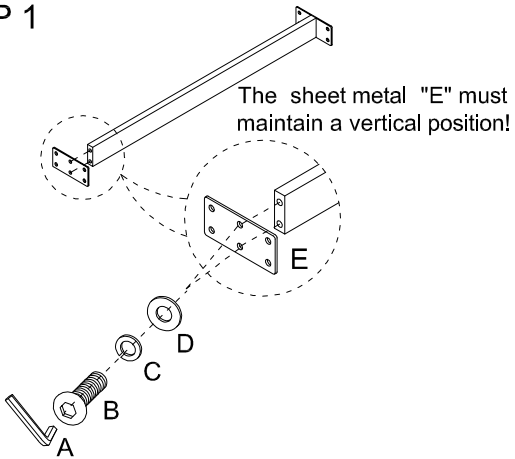


OK

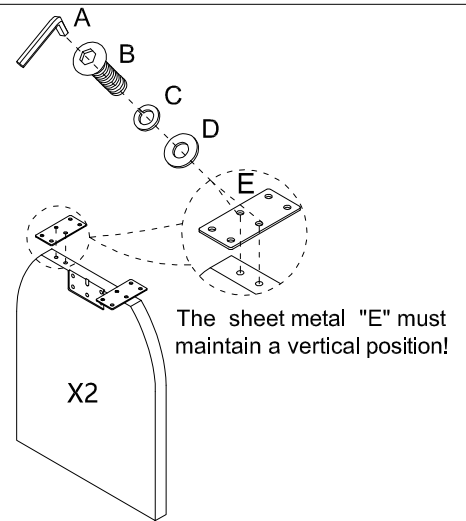
# ASSEMBLY INSTRUCTIONS



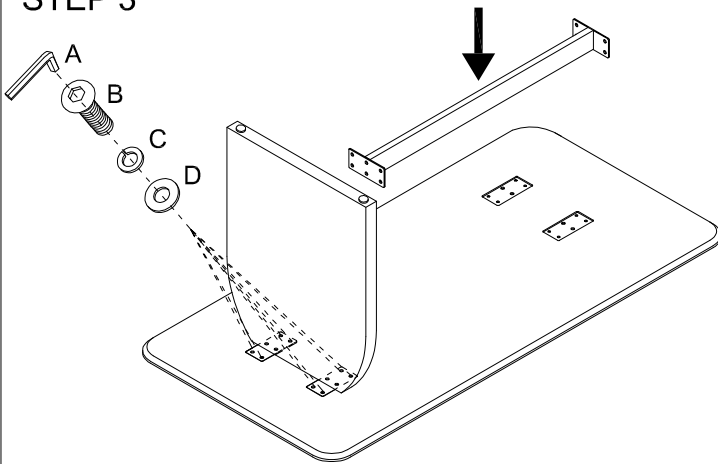
## STEP 1



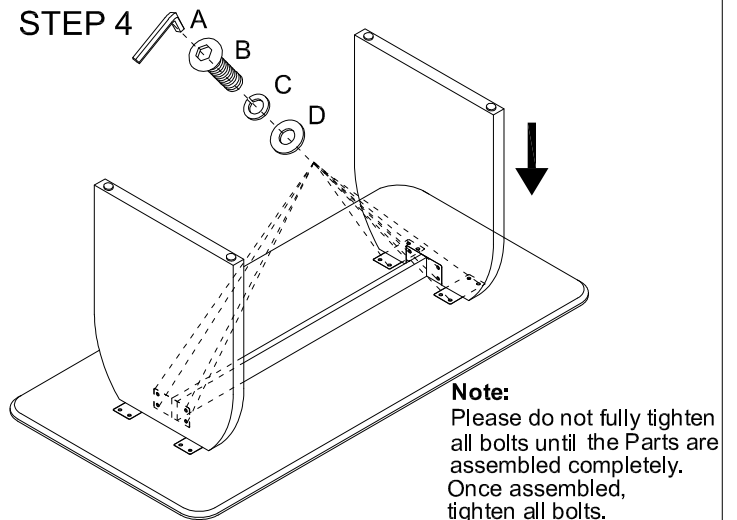
## STEP 2



## STEP 3



## STEP 4

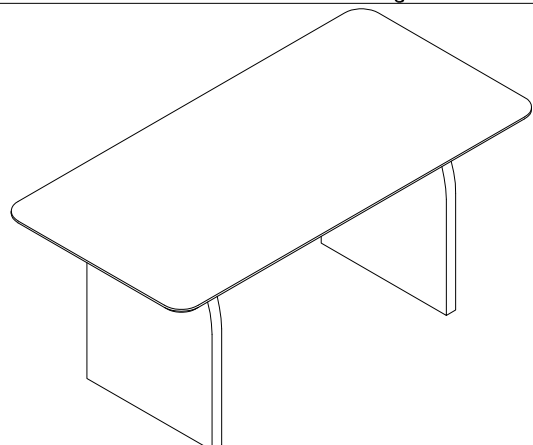


### PARTS LIST

	Top Panel	1PC
	Legs	2PCS
	Wood Rail	1PC

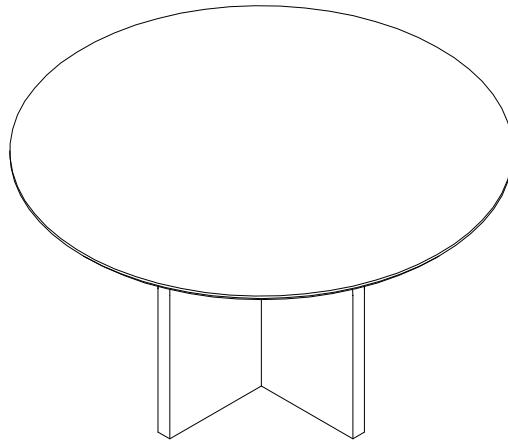
### HARDWARE LIST

A		1PC	5/16"
B		36PCS	5/16" *3/4"
C		36PCS	5/16"
D		36PCS	5/16"*19MM
E		6PCS	148*68*3MM

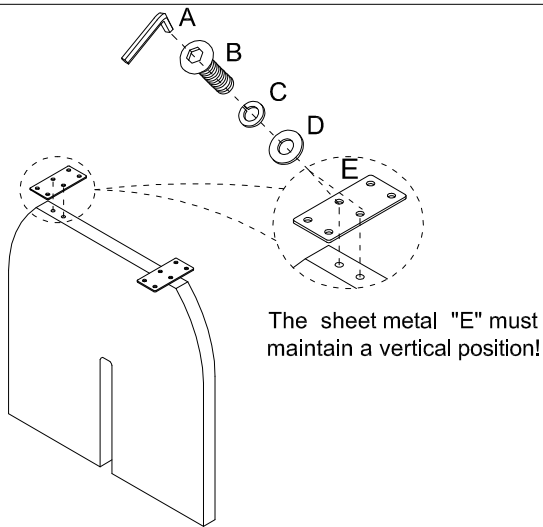


OK

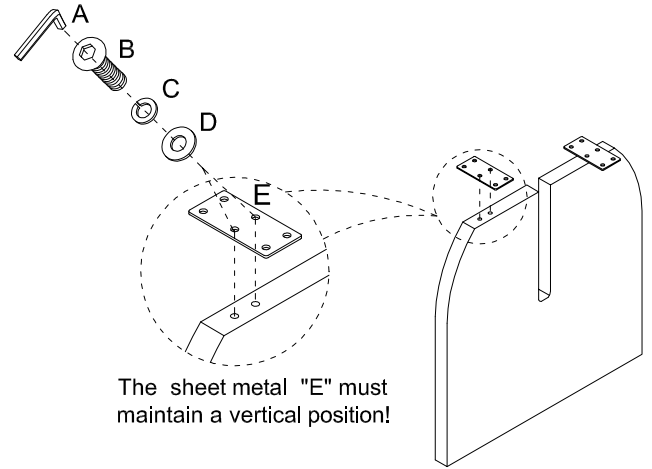
# ASSEMBLY INSTRUCTIONS



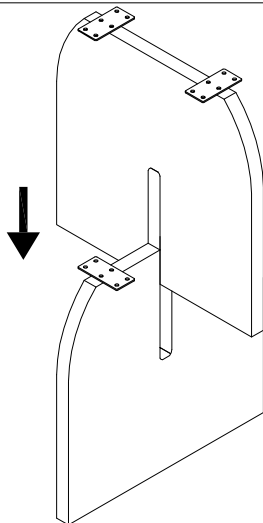
## STEP 1



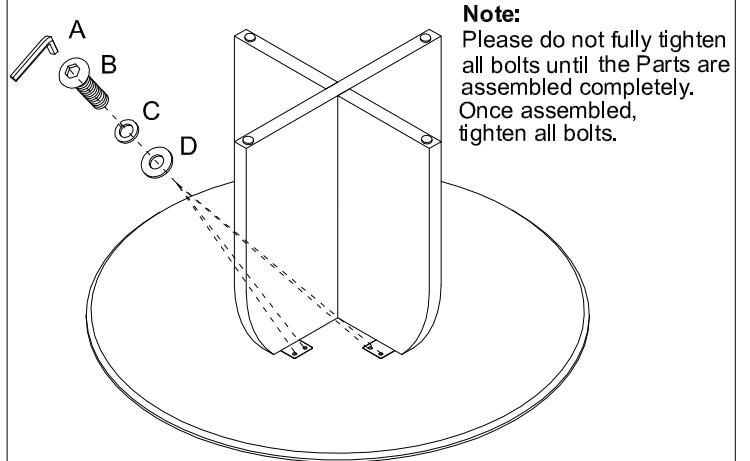
## STEP 2



## STEP 3



## STEP 4

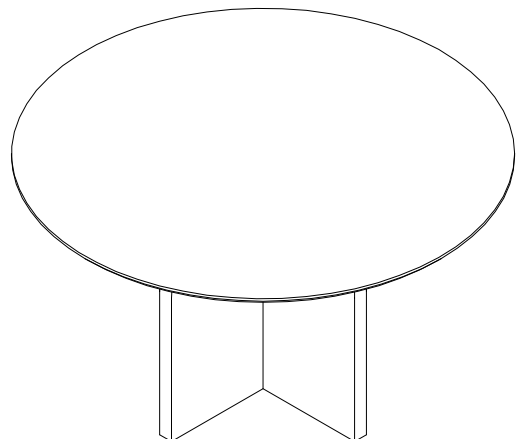


### PARTS LIST

	Top Panel	1PC
	Leg	1PC
	Leg	1PC

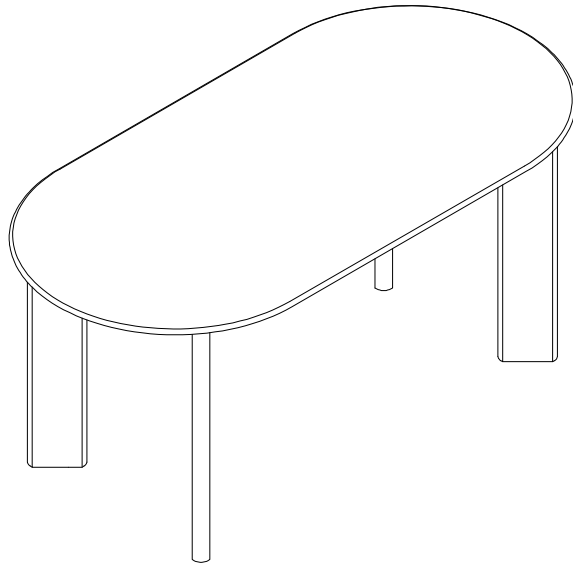
### HARDWARE LIST

A		1PC	5/16"
B		24PCS	5/16" *3/4"
C		24PCS	5/16"
D		24PCS	5/16"*19MM
E		4PCS	148*68*3MM

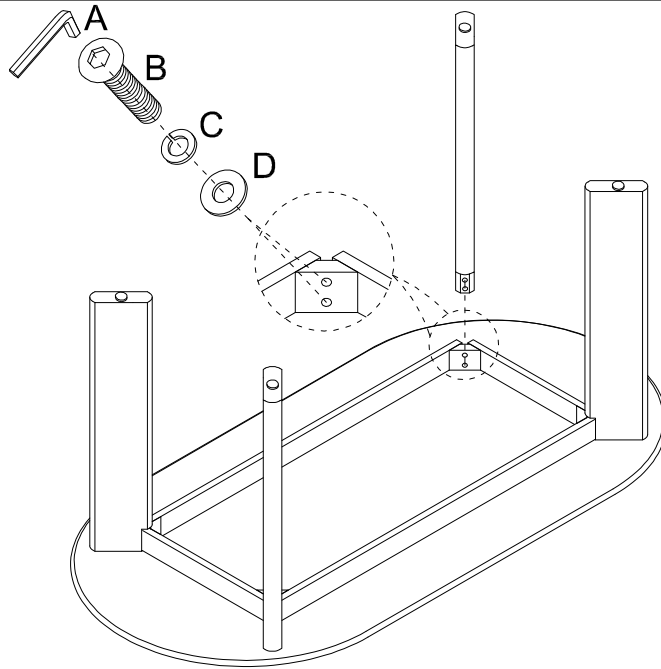


OK

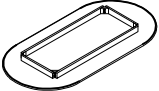
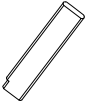
# ASSEMBLY INSTRUCTIONS



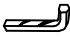



STEP 1

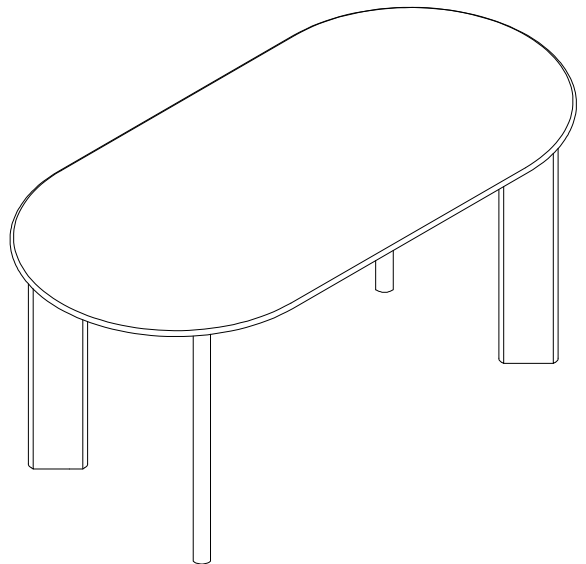


## PARTS LIST

	Top Frame	1PC
	Legs	4PCS

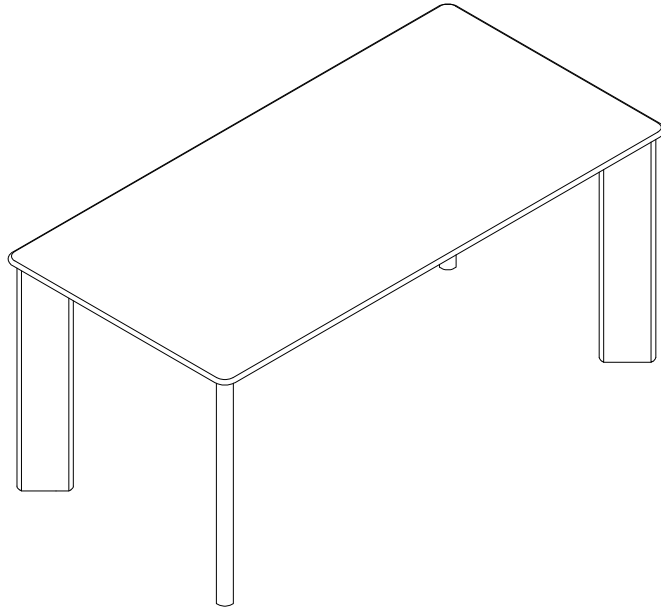
## HARDWARE LIST

A		1PC	5/16"
B		8PCS	5/16" *2-1/2"
C		8PCS	5/16"
D		8PCS	5/16"*19MM

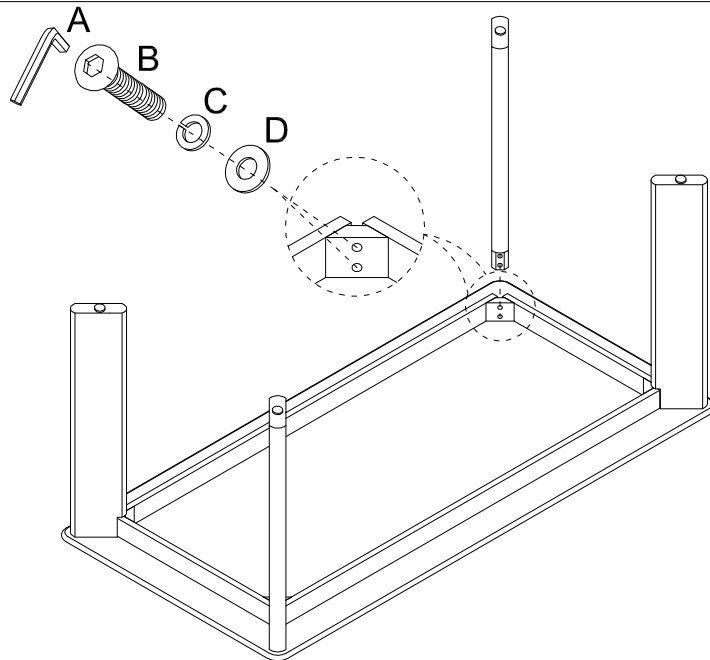


OK

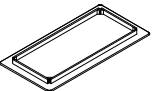

# ASSEMBLY INSTRUCTIONS



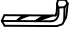



## STEP 1

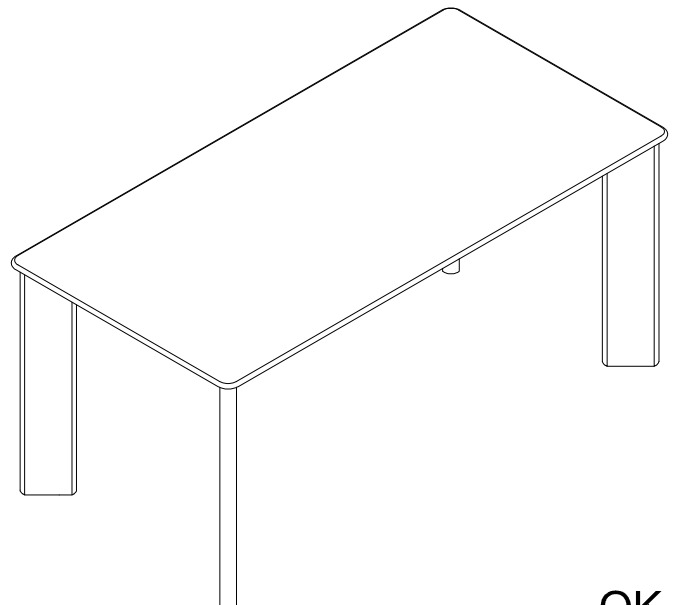


### PARTS LIST

	Top Frame	1PC
	Legs	4PCS

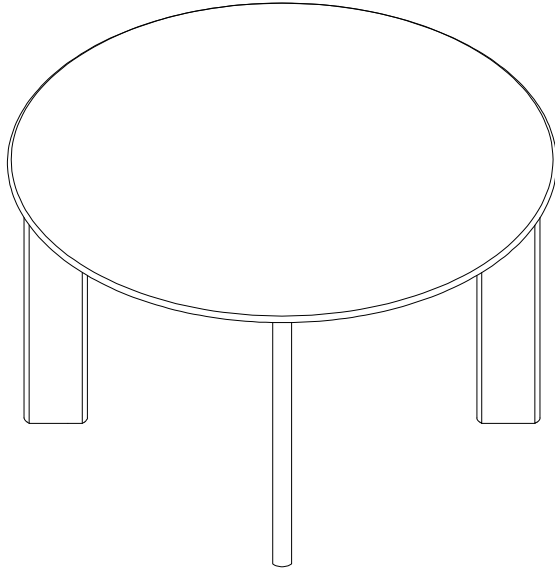
### HARDWARE LIST

A		1PC	5/16"
B		8PCS	5/16" *2-1/2"
C		8PCS	5/16"
D		8PCS	5/16"*19MM

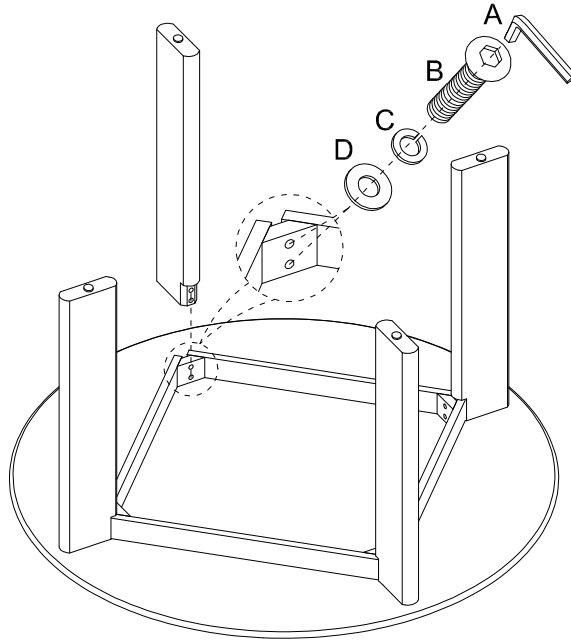


OK



# ASSEMBLY INSTRUCTIONS



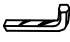



## STEP 1

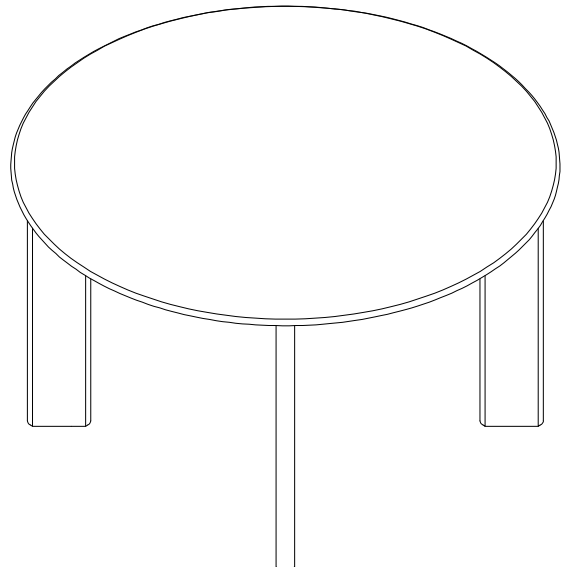


### PARTS LIST

	Top Frame	1PC
	Legs	4PCS

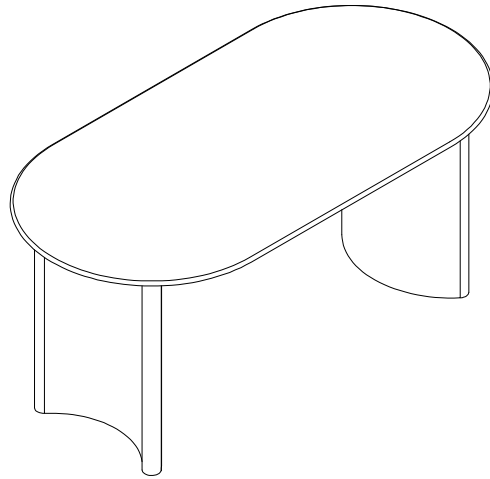
### HARDWARE LIST


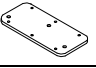

A		1PC	5/16"
B		8PCS	5/16" *2-1/2"
C		8PCS	5/16"
D		8PCS	5/16"*19MM

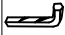





OK

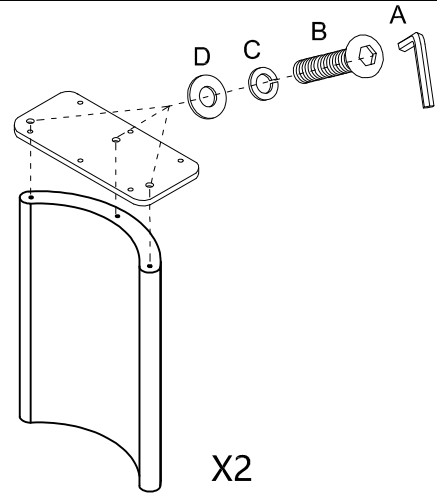
# ASSEMBLY INSTRUCTIONS



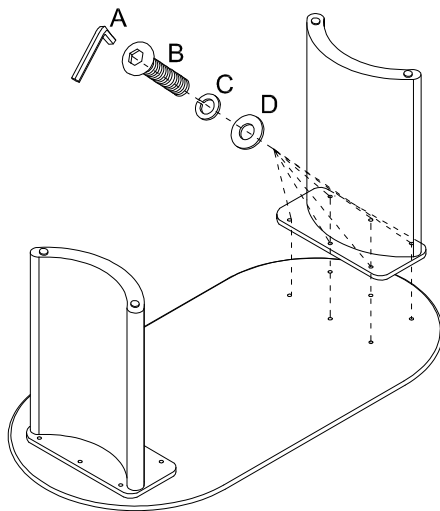
PARTS LIST		
	Top Panel	1PC
	Connecting Plate	2PCS
	Legs	2PCS

HARDWARE LIST			
A		1PC	5/16"
B		18PCS	5/16" * 1-1/2"
C		18PCS	5/16"
D		18PCS	5/16"*19MM

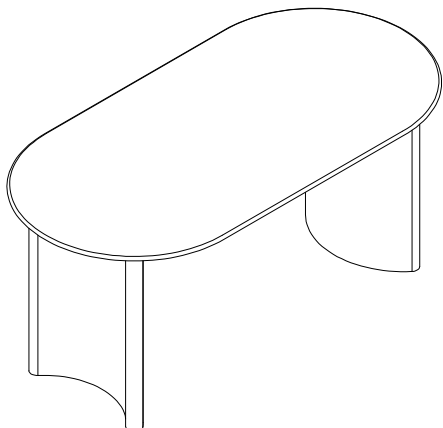
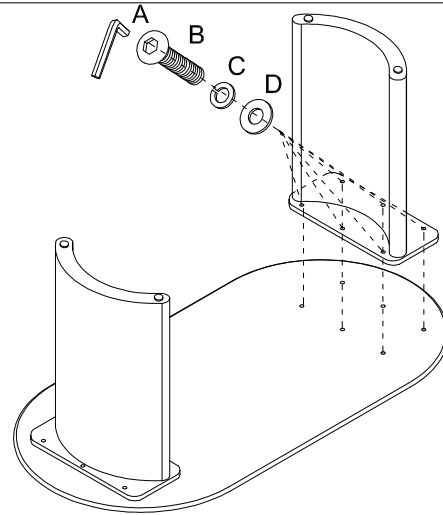
## STEP 1



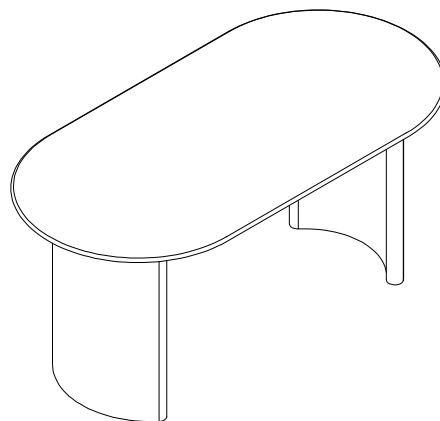
## STEP 2



OR



OR



OK