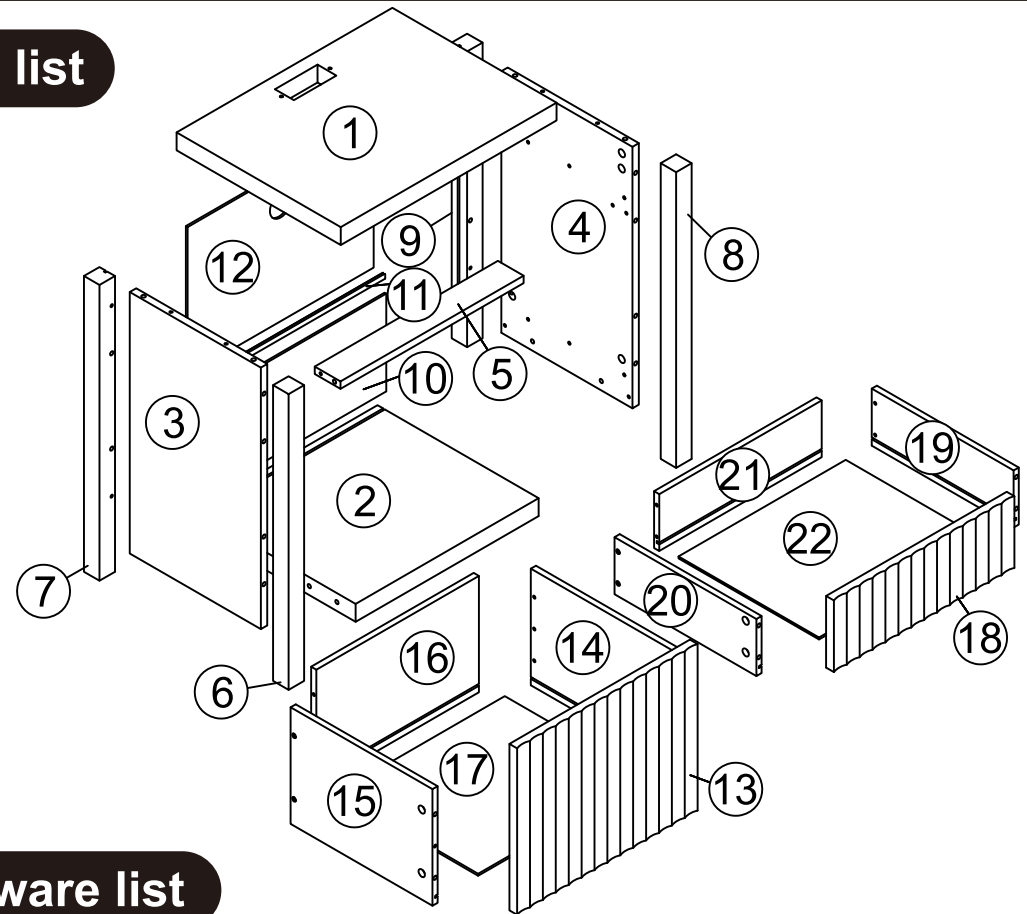








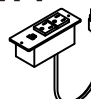









Parts list



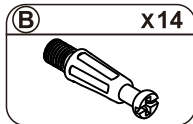
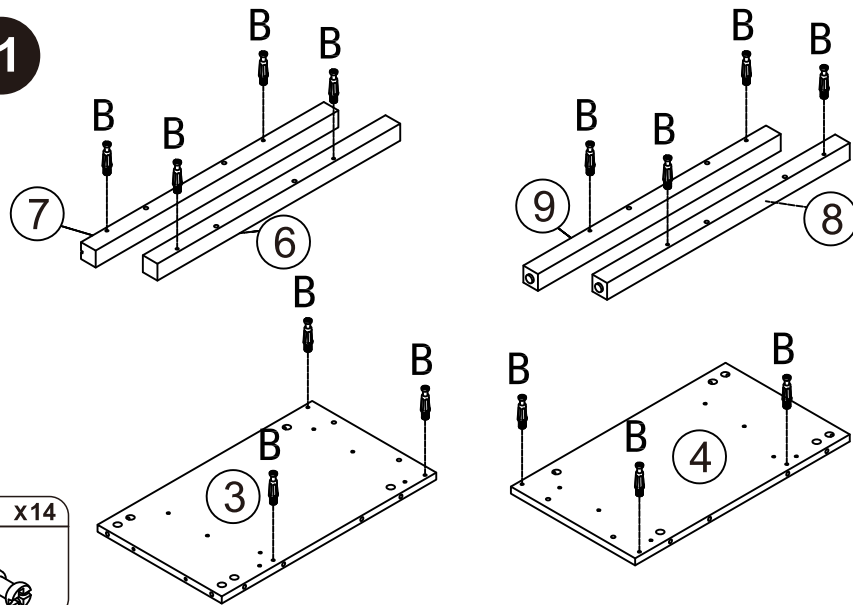
Hardware list

A x26 $\phi 15 \times 9.5\text{MM}$ 	B x26 $\phi 6 \times 24\text{MM}$ 	C x18 $\phi 8 \times 30\text{MM}$ 	D x8 $\phi 4 \times 30\text{MM}$ 	E x6 	
F x6 $\phi 3 \times 16\text{MM}$ 	G x28 $\phi 3.5 \times 12\text{MM}$ 	H x2 	I x1 	J x4 $\phi 6 \times 30\text{MM}$ 	
CL x2 300MM 	CR x2 300MM 	DL x2 300MM 	DR x2 300MM 	L x2 $\phi 3.5 \times 12\text{MM}$ 	M x8 
K					

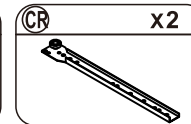
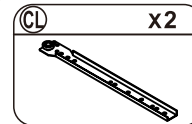
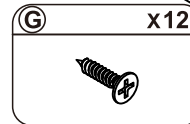
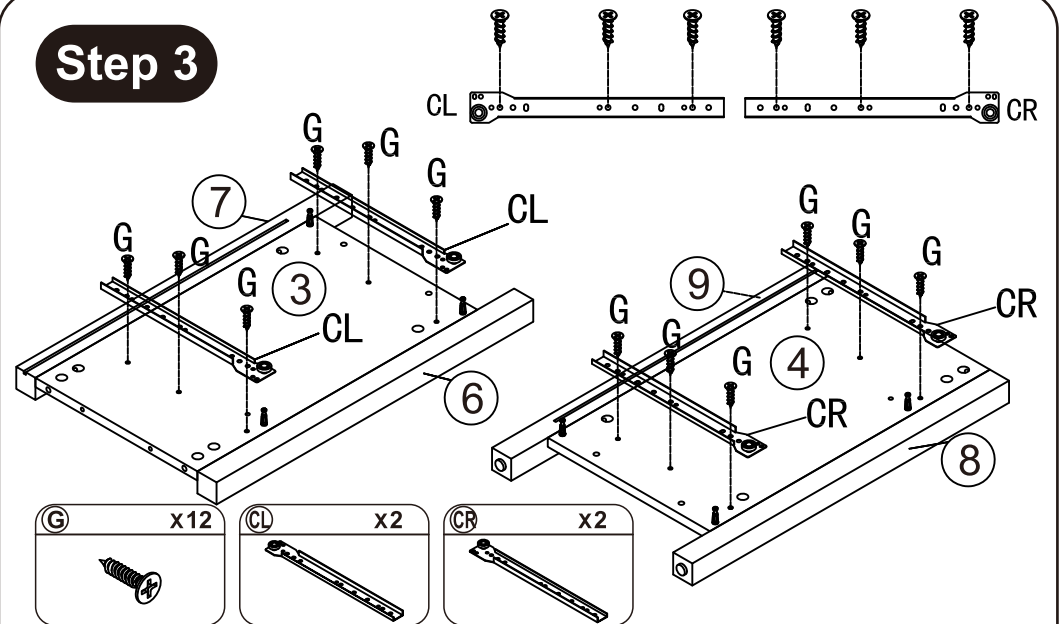
Your satisfaction is our priority!

If for any reason there is anything missing, incorrect, or different from your expectation, please contact us first

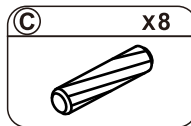
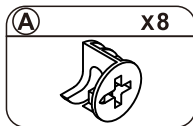
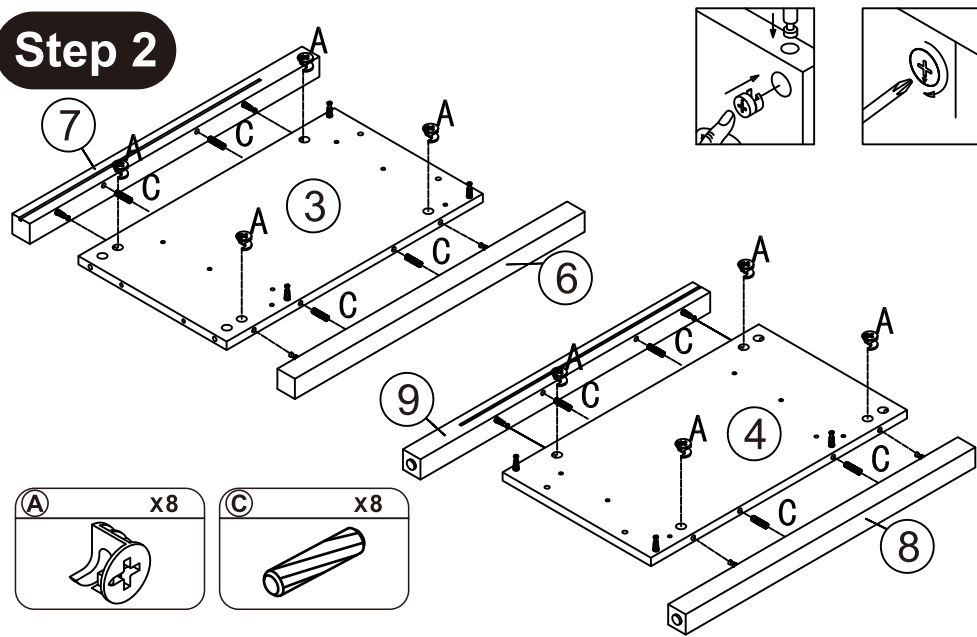
Step 1



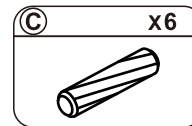
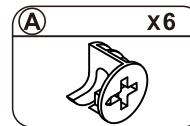
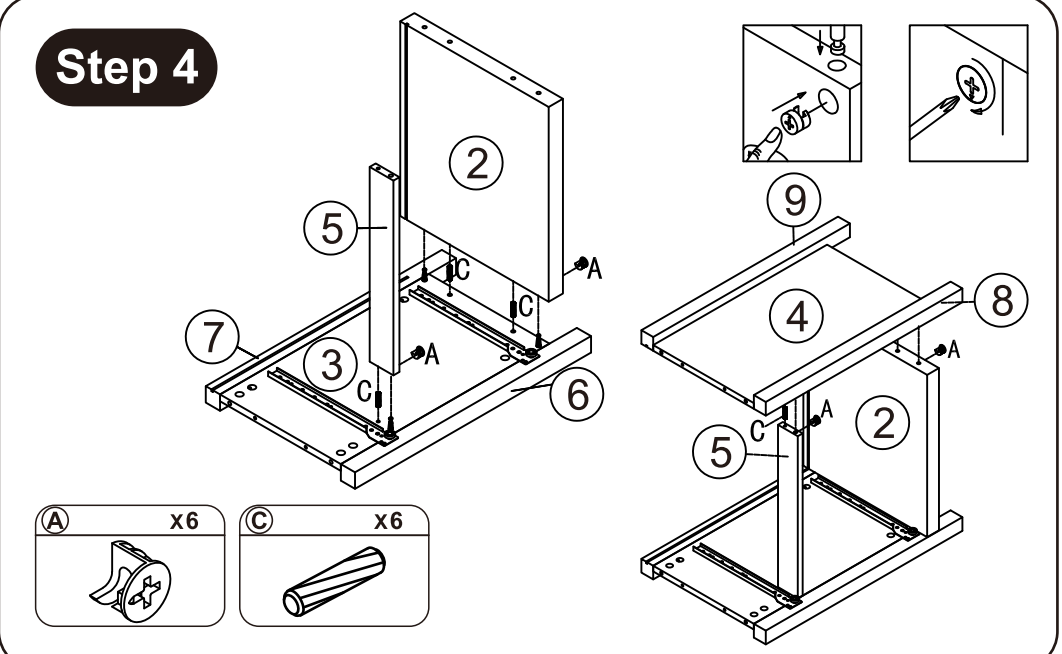
Step 3



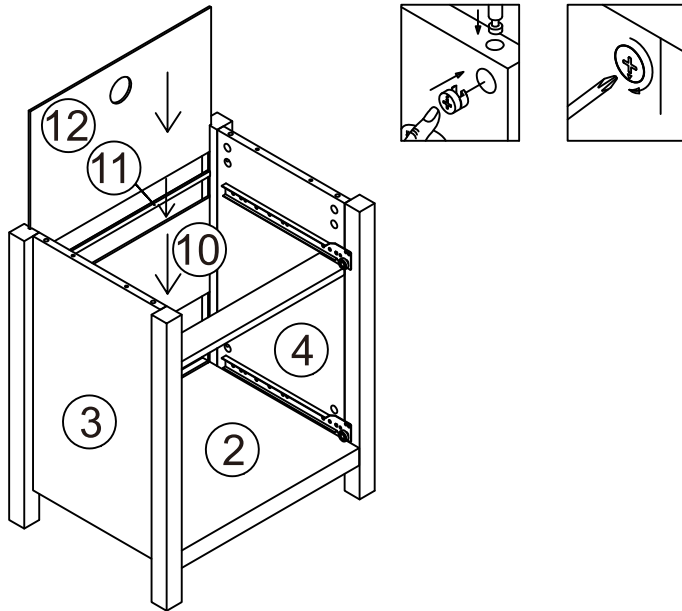
Step 2



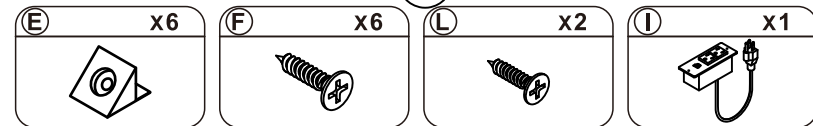
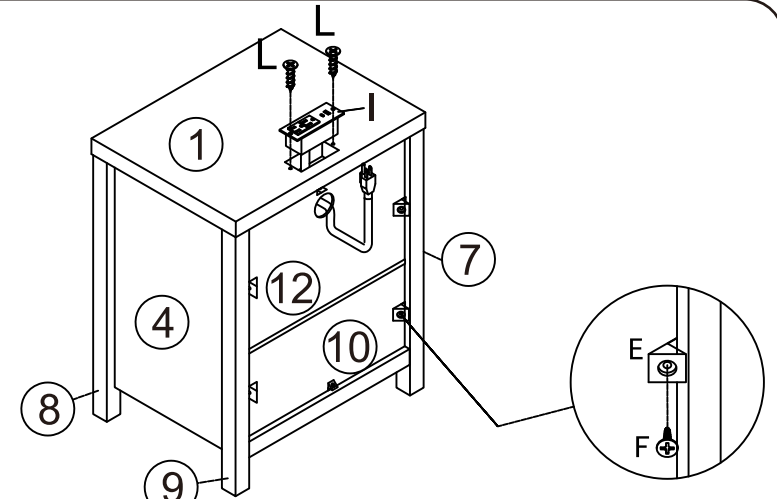
Step 4



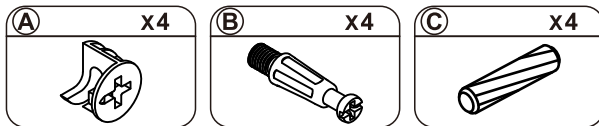
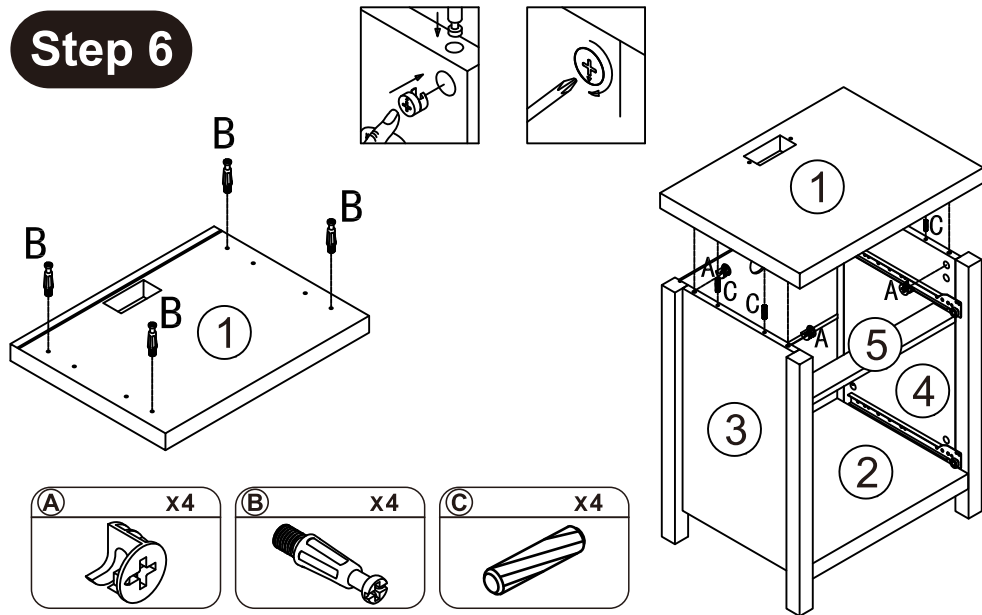
Step 5



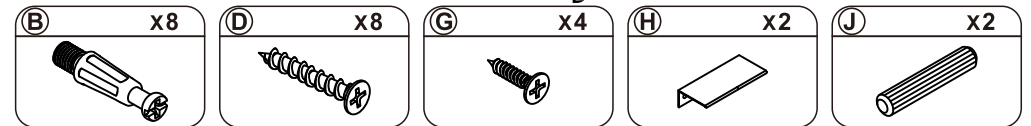
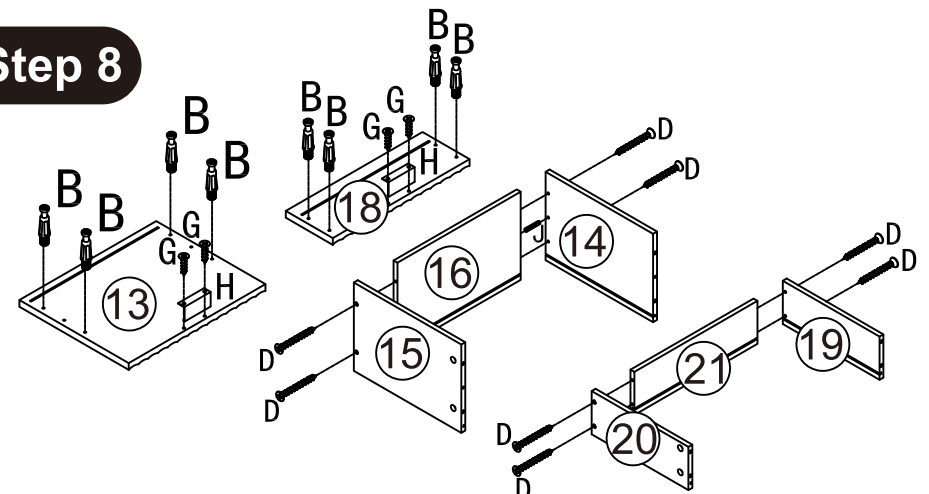
Step 7



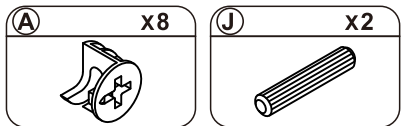
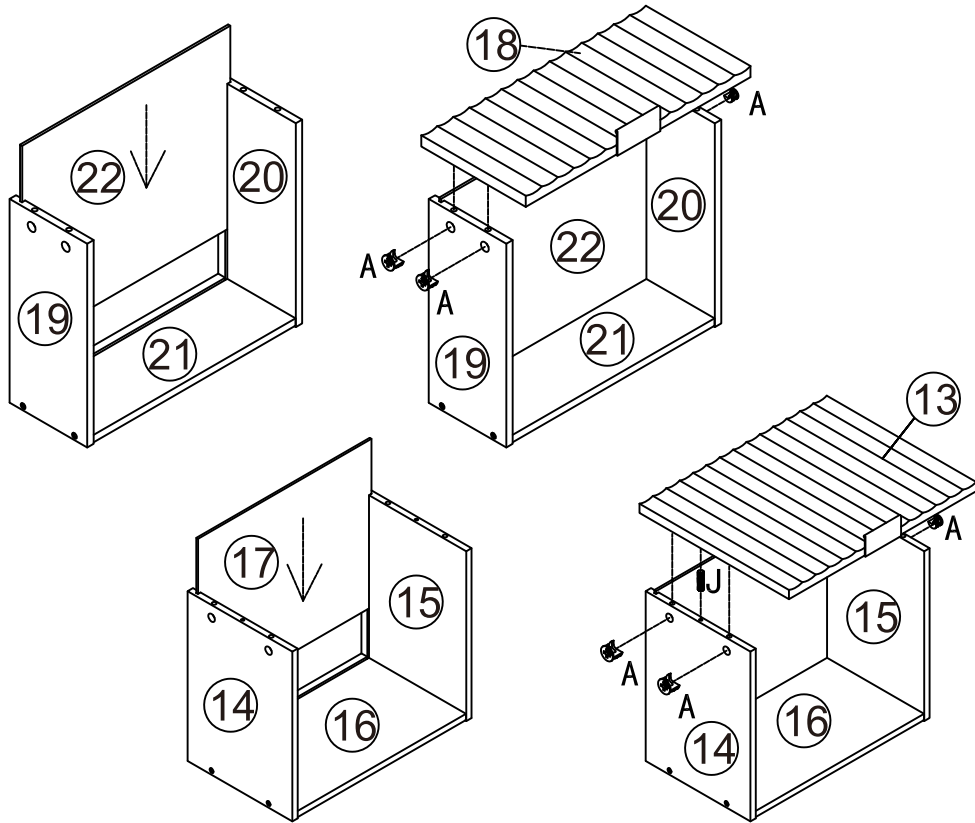
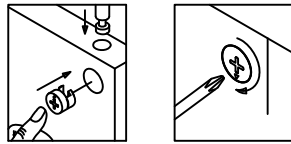
Step 6



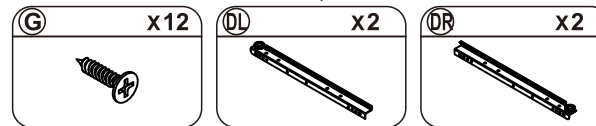
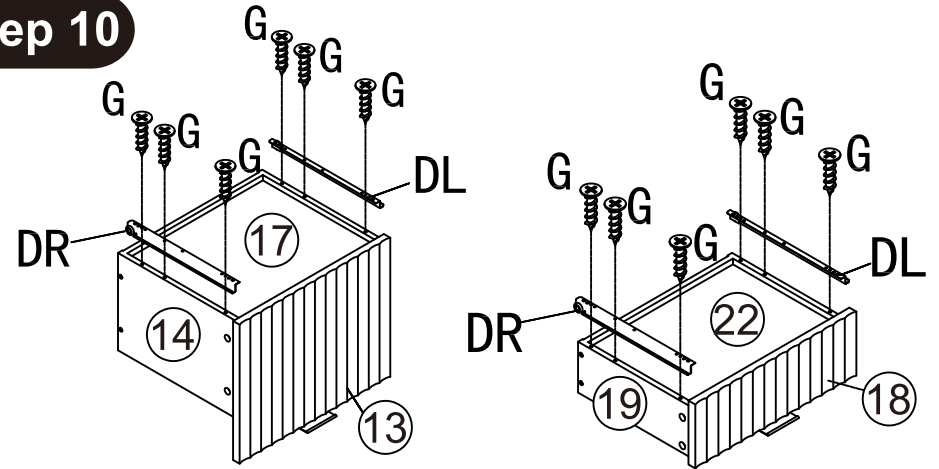
Step 8



Step 9



Step 10



Step 11

