

ASSEMBLY INSTRUCTIONS



1, Read these instructions carefully and keep for future reference. Refer to parts inventory for guidance, and ensure you have all pieces before starting.

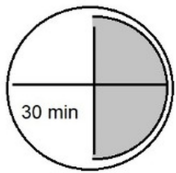
2, When assembling, place all parts on a soft, clean and flat surface such as a carpet to prevent scratches.

3, Keep children and animals away from the work area, small parts could cause choking if swallowed.

4, Make sure you have enough space to layout the parts before starting. Assemble the item as close to its final position as possible.

5, Do not overtighten the nuts to avoid causing damage to the threads.

6, From time to time check that there are no loose screws on this unit.



TIME



OF PEOPLE

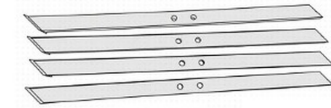



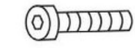



DIFFICULTY

WHAT IS INCLUDING

1 x 1 Table Top

2 x 4 Table Legs



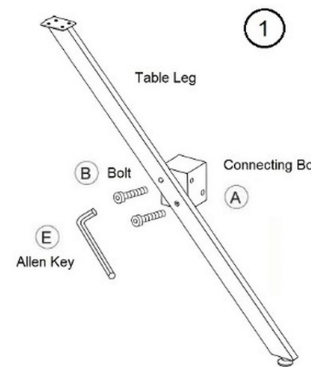
| | | |
|------------------------------------------------------------------------------------------------------------------------|-------------------------------------------------------------------------------------------------------------------|-----------------------------------------------------------------------------------------------------------------|
| <p>A</p>  <p>Connecting Box x 1</p> | <p>B</p>  <p>Bolt x 8</p> | <p>C</p>  <p>Screws x 16</p> |
| <p>D</p>  <p>Table Feet x 4</p> | <p>E</p>  <p>Allen Key x 1</p> | |

ASSEMBLE STEPS

1 Connect the first leg with the connecting box, you'll need 2 Bolts **B**

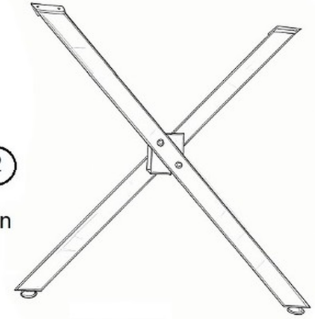
Tighten with Allen Key **E**

Do not overtighten the bolts



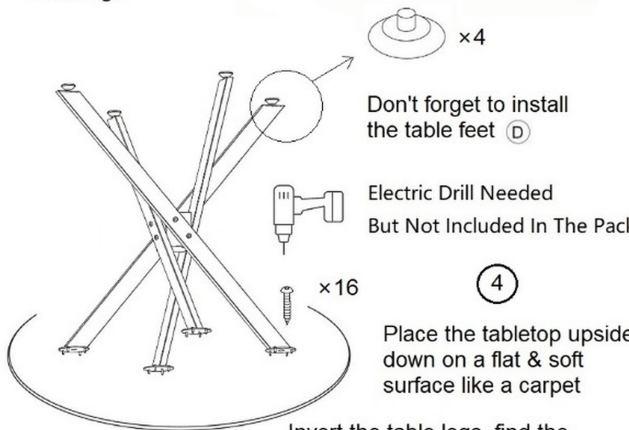
2 Assemble the second leg in the same way

You will see a X shape table legs



Don't forget to install the table feet **D**

Electric Drill Needed
But Not Included In The Pack



3 Repeat the above steps until all four legs are assembled

Do not overtighten the bolts

4 Place the tabletop upside down on a flat & soft surface like a carpet

Invert the table legs, find the center position, and secure them to the tabletop with screws **C**