

ASSEMBLY INSTRUCTIONS



Thank you for choosing US!

Our goal is to provide high quality outdoor furniture with outstanding customer service-all at an affordable price. Please let us know how we are doing!

Problems?

(Missing pieces, wrong pieces...)

We will fix it immediately. Send us an email

Happy?

Please leave us a review! You can make others happy too!



**IMPORTANT, RETAIN FOR
FUTURE REFERENCE:
READ CAREFULLY.**

Safety

- For domestic use only.
- Always use on firm level ground.
- Periodic structural checks of this product should be undertaken, do not use if you have any doubts about its fitness for purpose.
- Do not stand on the seat.
- Do not sit on the armrest.
- Do not let children play with this product.

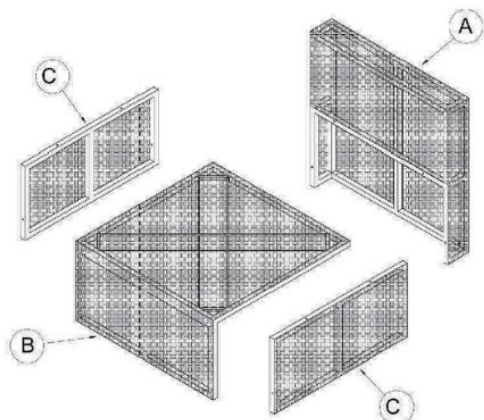
At the beginning of the season

- Check to ensure that all components and fixings of this product are secure, do not use if you have any doubts about its fitness for purpose.

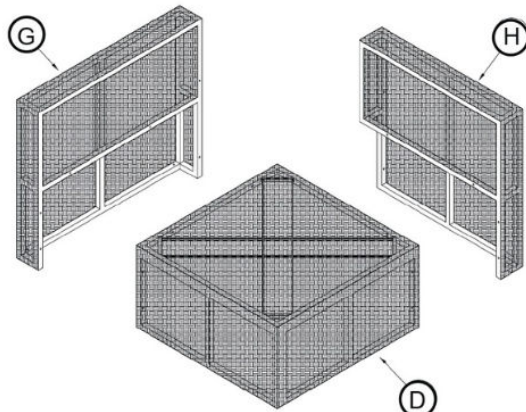
At the end of the season

- This product should be stored under cover during prolonged spells of adverse weather (wet or cold) and also during the winter (ideally in a garden shed or garage).
- Always clean and dry thoroughly before storage.

PACKAGE CONTENTS



Armless Sofa Chair x4



Corner sofa chair x2

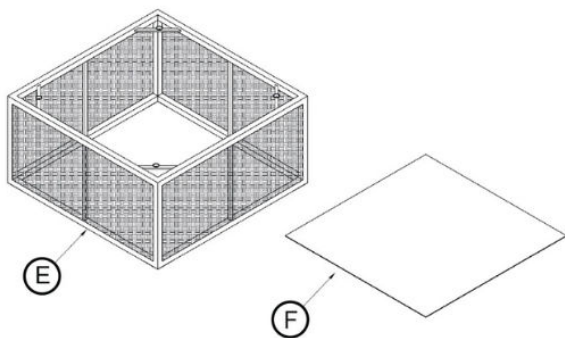


Table x1

PART	DESCRIPTION	QUANTITY
A	Armless back frame chair	4
B	Seat frame	4
C	Side frame	8
D	Corner seat frame chair	2
E	Table	1
F	Glass	1
G	Back frame - Corner chair	2
H	Side frame- Corner chair	2

ZZ	AA	CC	DD	EE	FF	GG	HH
M6 x 40L Bolt Qty. 28 Extra 2	M6 x 35 L Bolt Qty. 56 Extra 6	M6 Washer Qty. 56 Extra 2	Knob Qty. 28 Extra 1	Allen Wrench Qty. 2	"1" Plastic Foot Qty. 8 Extra 1	"L" Plastic Foot Qty. 20 Extra 1	Plastic shackle Qty. 10 Extra 1

Ruler - Use this ruler to help correctly identify the screws.





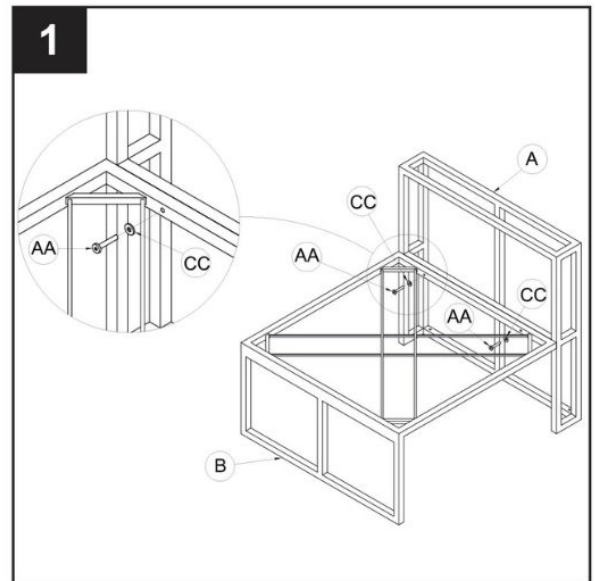
ASSEMBLY INSTRUCTIONS

FRAME ASSEMBLY

- Align two holes of the back frame (A). Insert an M6 x 35 L bolt (AA) through M6 washer (CC), with the seat frame (B). Do not tighten completely. Repeat this procedure for the adjacent hole.

Hardware Used

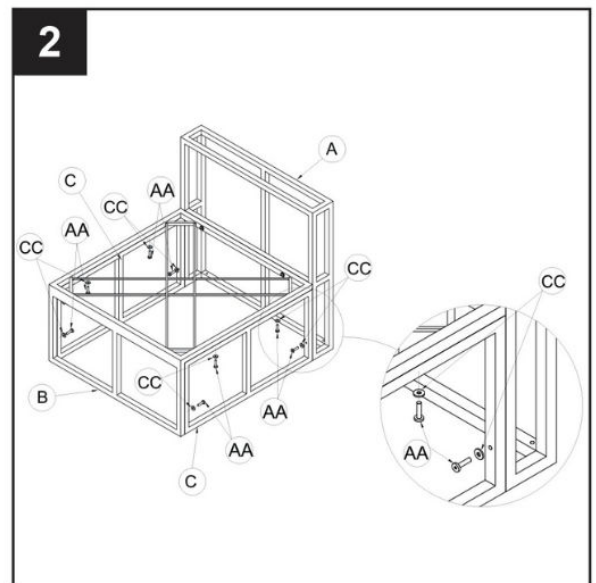
AA	M6 x 35 L Bolt		x 2
CC	M6 Washer		x 2



- Align all four holes of the side frame (C). For each hole, insert M6 x 35 L bolt (AA) through M6 washer (CC), the seat frame (B) and back frame (A). Repeat this step for the opposite side. Do not tighten completely. Repeat this procedure for the adjacent hole.




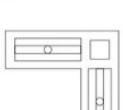
Hardware Used

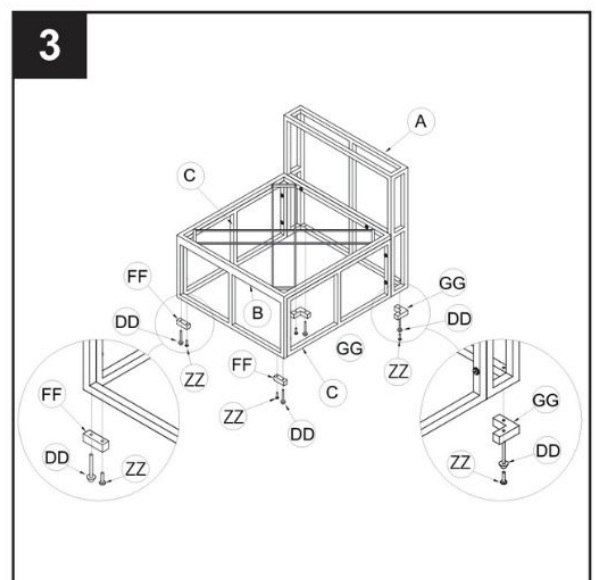
AA	M6 x 35 L Bolt		x 8
CC	M6 Washer		x 8



- Attach two the "I" plastic foot (FF) to the lower corner of the seat frame (B), and two the "L" plastic foot (GG) into the lower corner of the back frame (A) by using M6x 40L bolt (ZZ) and Knob (DD). Then tighten all bolts by using allen wrench.

Hardware Used

ZZ	M6 x 40 L Bolt		x 4
DD	Knob		x 4
FF	"I" Plastic Foot		x 2
GG	"L" Plastic Foot		x 2



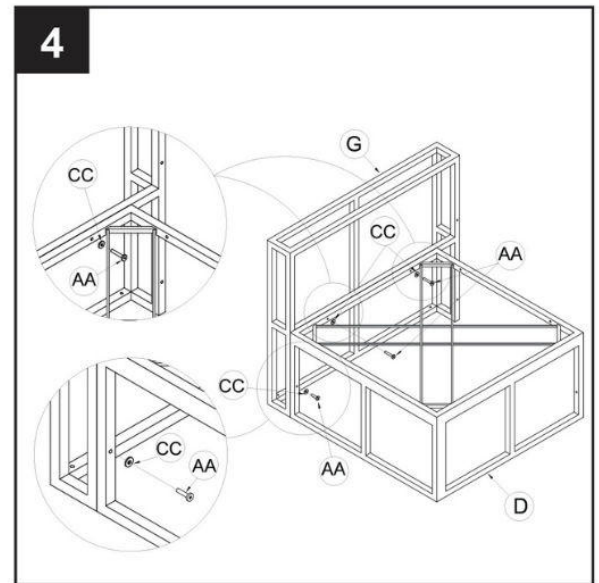
ASSEMBLY INSTRUCTIONS

FRAME ASSEMBLY

- 4 . Align two upper holes of the back frame (G). Insert an M6 x 35 L bolt (AA) through M6 washer (CC) with the seat frame (D). Then align two the side holes of the back frame (G) insert an M6 x 35 L (AA) through M6 washer (CC). Do not tighten completely. Repeat this procedure for the adjacent hole.



Hardware Used

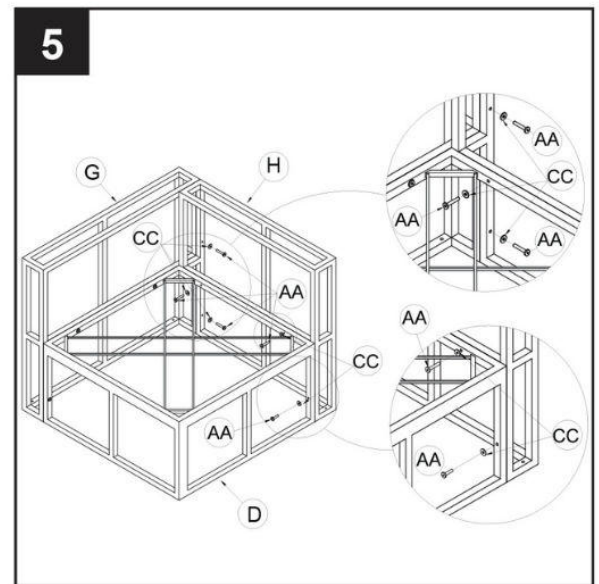
AA	M6 x 35 L Bolt		x 3
CC	M6 Washer		x 3



- 5 . Align two holes of back frame (G) the oposite side with the side frame (H) insert an the M6 x 35 L bolt (AA) through the M6 washer (CC). Then align two holes before of the side frame (H) with the seat frame (D) insert the M6 x 35 L bolt (AA) and the M6 x 35 L bolt (AA) through the M6 washer (CC) . Do not tighten completely. Repeat this procedure for the adjacent hole.



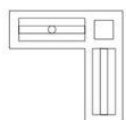
Hardware Used

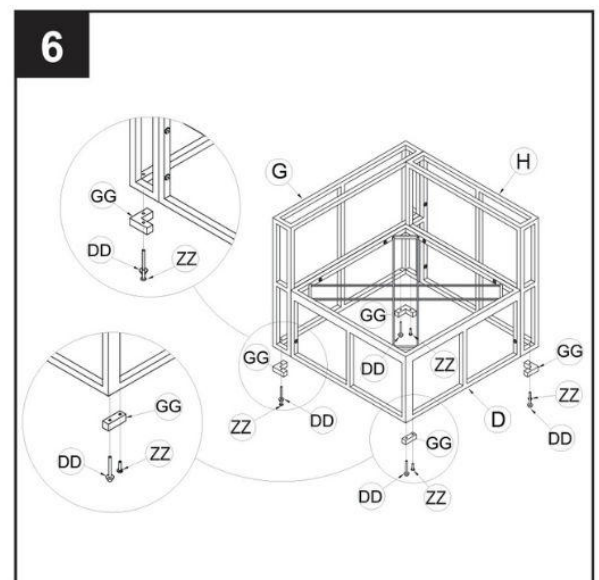
AA	M6 x 35 L Bolt		x 5
CC	M6 Washer		x 5



- 6 . Attach one the " L " plastic foot (GG)to the lower corner of the seat frame (D) , and three the " L " Aluminum foot (GG) into the lower corner of the back frame (G) and side frame (H) by using M6 x 40L bolt (ZZ) and Knob (DD). Then tighten all bolts by using allen wrench.

Hardware Used

ZZ	M6 x 40 L Bolt		x 4
DD	Knob		x 4
GG	" L " Plastic Foot		x 4



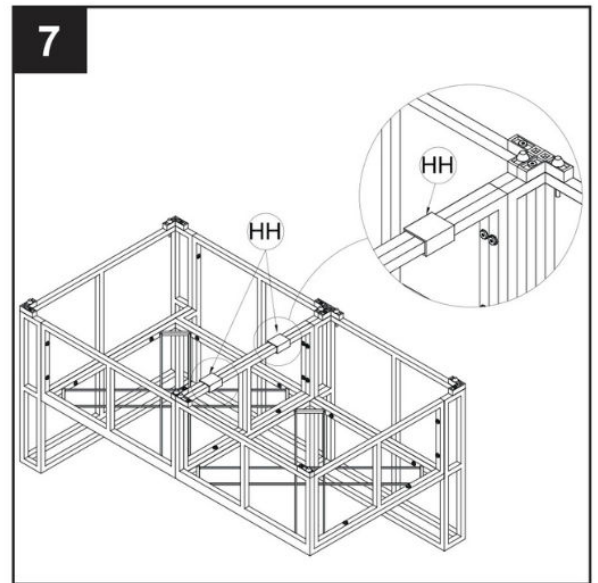
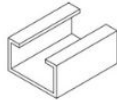
ASSEMBLY INSTRUCTIONS

FRAME ASSEMBLY

7. Attached the products by plastic shackles.

Hardware Used

HH Plastic shackle X 10



8. Attach four the " L " plastic foot (FF) to the lower corner of the table (E) by using M6 x 40L bolt (ZZ) and Knob (DD). Then tighten all bolts by using allen wrench.

Hardware Used

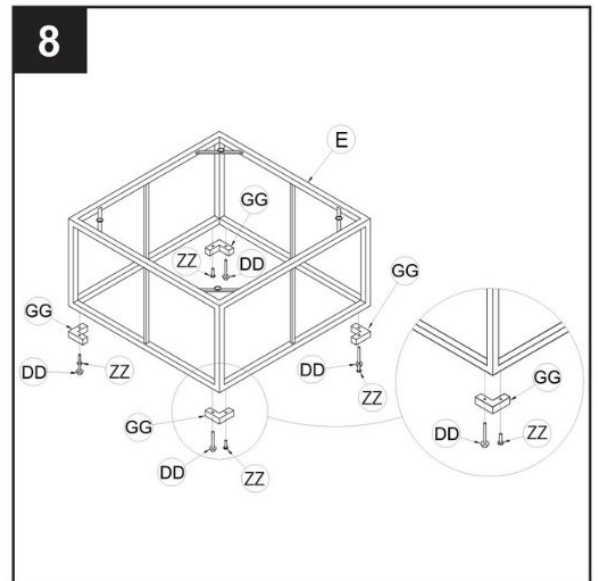
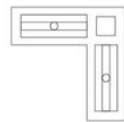
ZZ M6 x 40 L Bolt x 4



DD Knob x 4

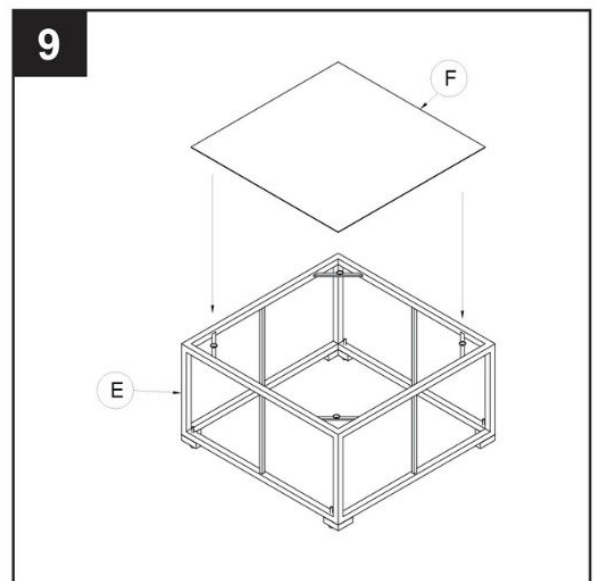


GG " L " Plastic Foot x 4















9. Put the glass (F) on the table (E). And make adjustments. The assembly of this product has been completed.






Hardware Used



ITEM NO.	CTN NO.	INCLUDING
AP009 AP010 AP011 AP012	1	3 seat cushion + 2 back cushion +1 Table + 1 Glass + 1 Back frame of Armless chair + Hardware + Plastic nut
	2	4 seat frame of Armless chair + 1 seat cushion+ 2 back cushion + 8 side frame of Armless chair + 3 back frame of armless chair
	3	2 seat frame of Corner chair + 2 seat cushion+ 4 back cushion + 2 side frame of Corner chair + 2 back frame of Corner chair

No	Product clusters inside carton - 1/3 pce	Reference Picture	Part	Qty
1	Seat cushion			3
2	Back cushion			2
3	Table		E	1
4	Glass		F	1
5	Back frame of armless chair		A	1
6	Hardware			181
7	Plastic foot			41

No	Product clusters inside carton - 2/3 pce	Reference Picture	Part	Qty
1	Seat frame of the armless		B	4
2	Seat cushion			1
3	Back cushion			2
4	Side frame of armless chair		C	8
5	Back frame of armless chair		A	3

No	Product clusters inside carton - 3/3 pce	Reference Picture	Part	Qty
1	Seat frame of the Corner chair		D	2
2	Seat cushion			2
3	Back cushion			4
4	Corner chair - Back		G	2
5	Corner chair - Side		H	2