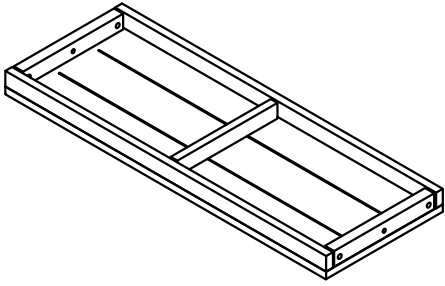
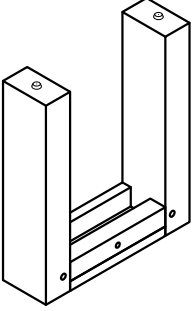
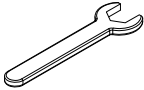
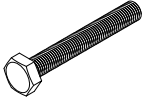
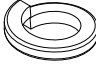
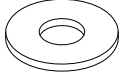
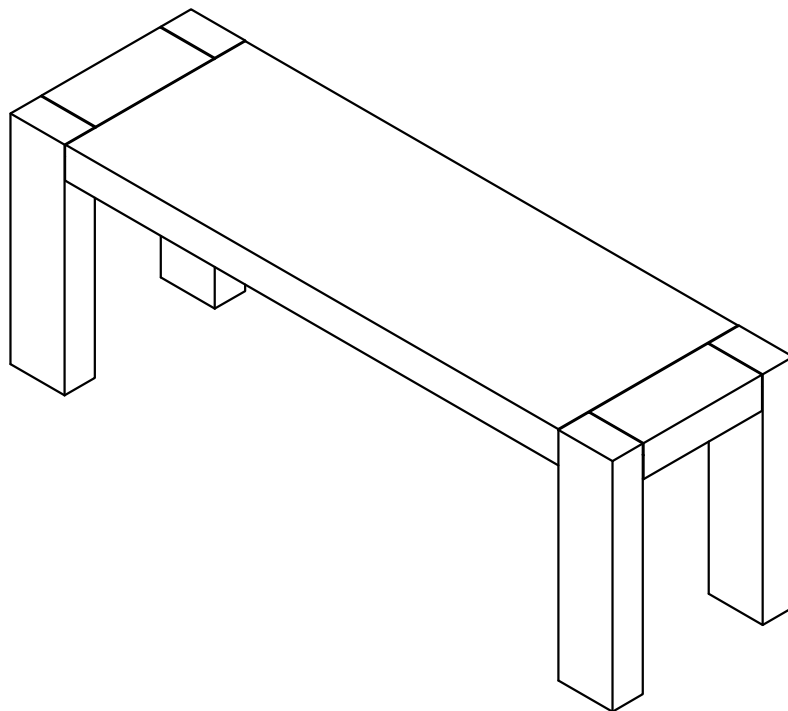


Assembly Instructions

Parts and Tools

A	A		X 1	<p>Before beginning</p> <p>1) Carefully unpack and position the item on a clean, non-marring surface to assemble.</p> <p>2) Read this Assembly Instructions from beginning to end before starting to assemble.</p> <p>3) Take an inventory of the required parts to ensure all are available.</p> <p>4) To prevent accidental choking hazards, keep all packing materials away from small children.</p>			
B	B		X 2	<p>5) Only tighten hardware until ALL hardware are fully engaged on their locations. Overtighten bolts will damage the bolt threads.</p> <p>6) Use only factory provided hardware to assemble. Unapproved hardware can damage product or jeopardize the structural integrity of the product.</p> <p>7) The use of power tool to assemble is not recommended due to high risk of over-torque, which can damage the product.</p>			
Z	z	<p>Z1</p>  <p>17 mm x1</p>	<p>Z2</p>  <p>10x60 mm x6</p>	<p>Z3</p>  <p>10 mm x6</p>	<p>Z4</p>  <p>10 mm x6</p>		



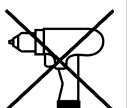
ASSEMBLY REQUIRES
TWO PEOPLE



15 MINUTE
ASSEMBLY TIME

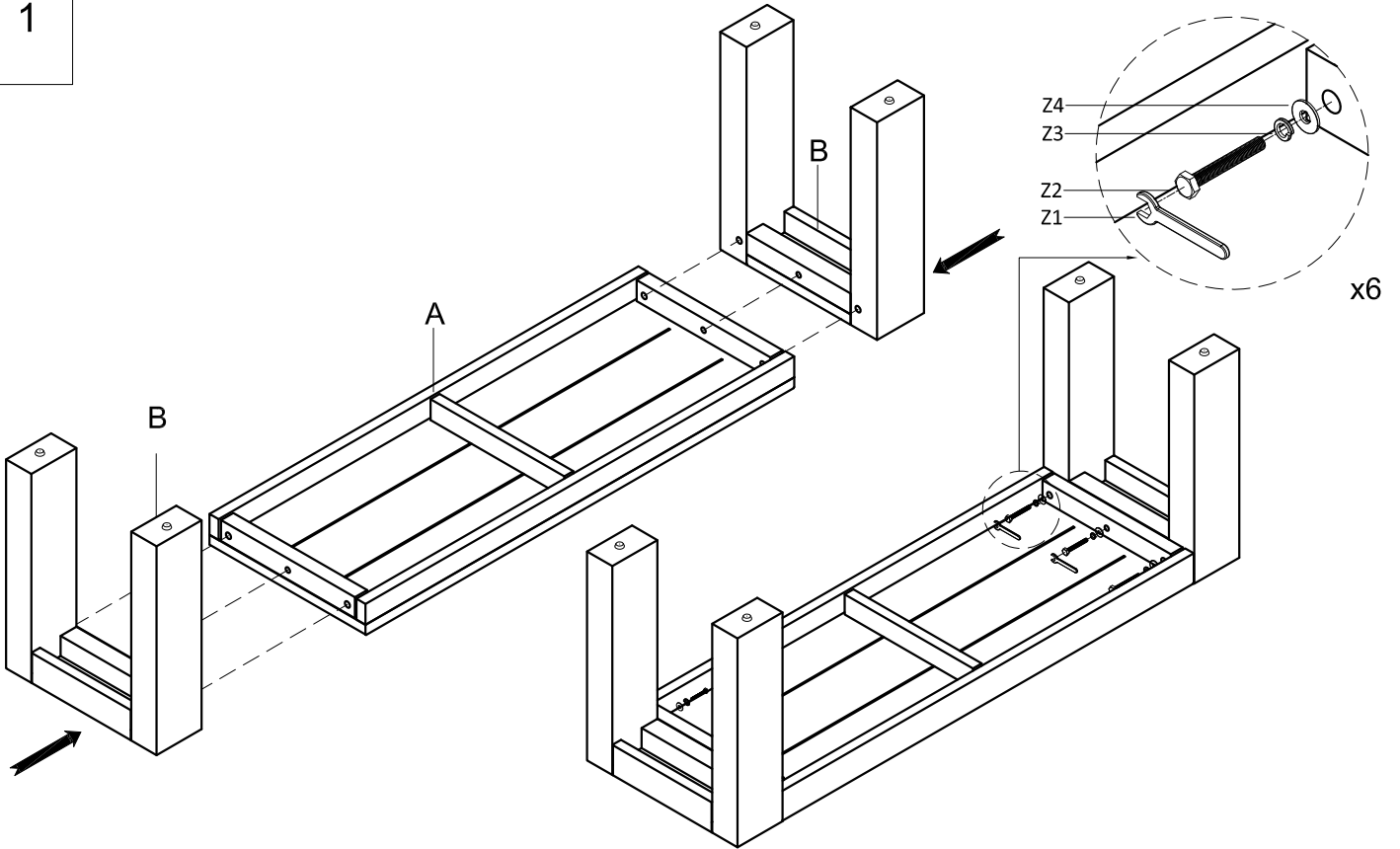


KEEP INSTRUCTIONS
FOR FUTURE USE



Assembly Instructions

1



2

