

# ASSEMBLY INSTRUCTIONS



*Fine Furniture for every stage of life*

# ASSEMBLY INSTRUCTIONS

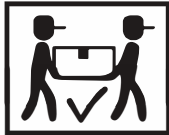
## ASSEMBLY TIPS:

1. Remove hardware from box and sort by size.
2. Please check to see that all hardware and parts are present prior to start of assembly.
3. Please follow attached instructions in the same sequence as numbered to assure fast & easy assembly.



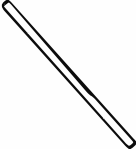
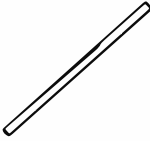

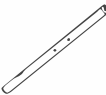











### WARNING!

1. Don't attempt to repair or modify parts that are broken or defective. Please contact the store immediately
2. This product is for home use only and not intended for commercial establishments.



ASSEMBLY TIME | 60 MINUTES

## PARTS IDENTIFICATION

A-LSF HEADBOARD LEG		1PC	B-RSF HEADBOARD LEG		1PC
C-LSF FOOTBOARD LEG		1PC	D-RSF FOOTBOARD LEG		1PC
E-HEADBOARD		2PCS	F-BACK FRAME		1PC
G-DAYBED RAIL		2PCS	H-TRUNDLE LONG RAIL		2PCS
I-TRUNDLE SHORT RAIL		2PCS	J-SLAT		42PCS
K-SLAT CONNECTOR		84PCS	L-FINIAL		4PCS
M-LOCK WHEEL		2PCS	N-WHEEL		2PCS
O-SLAT SPACER		21PCS			

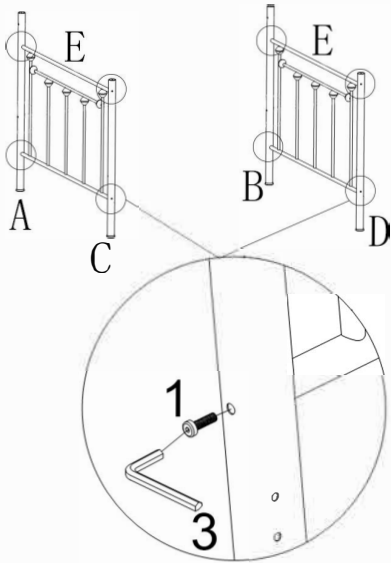
## HARDWARE IDENTIFICATION

### Z - HARDWARE

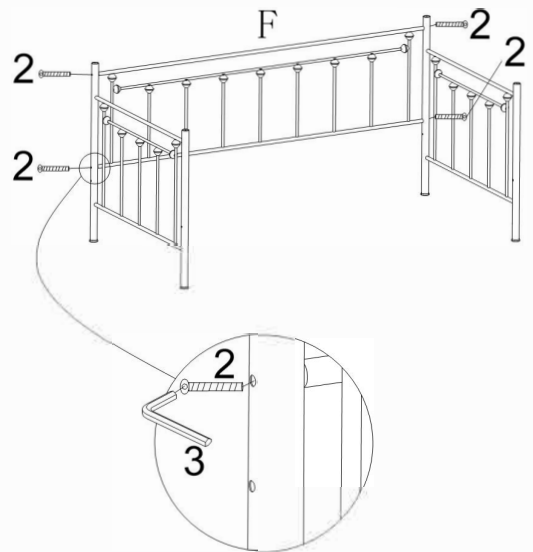
1	BOLT (Ø 1/4"x16MM)		24PCS	3	ALLEN WRENCH (1/4")		1PC
2	BOLT (Ø 1/4"x55MM)		4PCS	4	OPEN WRENCH (1/4")		1PC

# ASSEMBLY INSTRUCTIONS

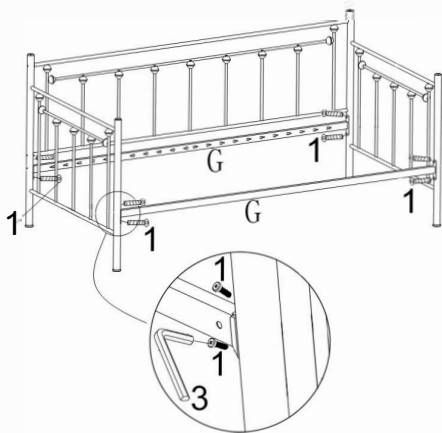
## STEP 1



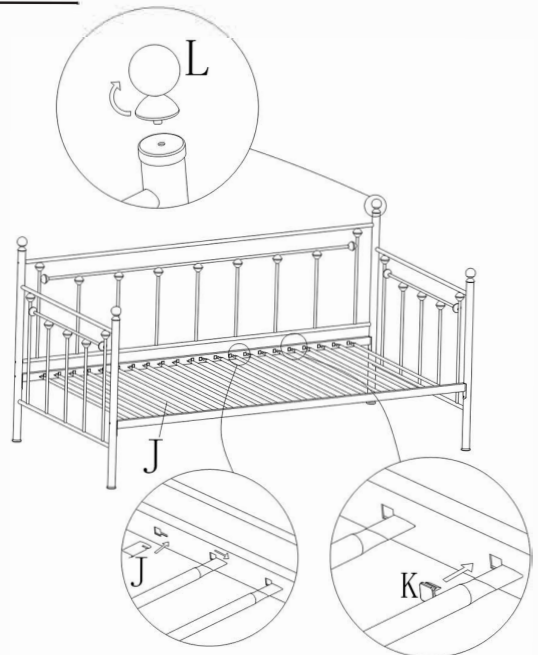
## STEP 2



## STEP 3

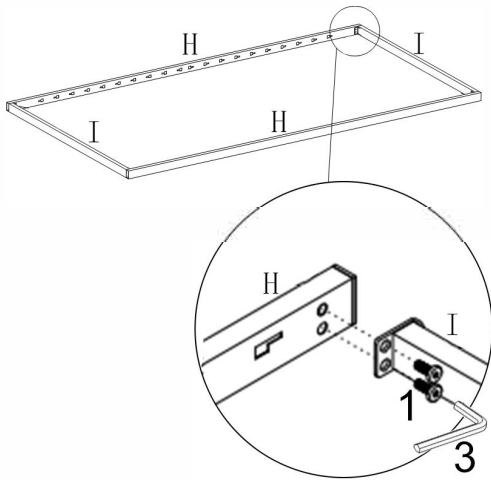


## STEP 4

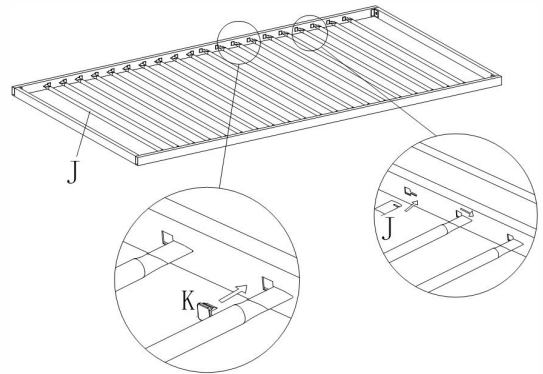


# ASSEMBLY INSTRUCTIONS

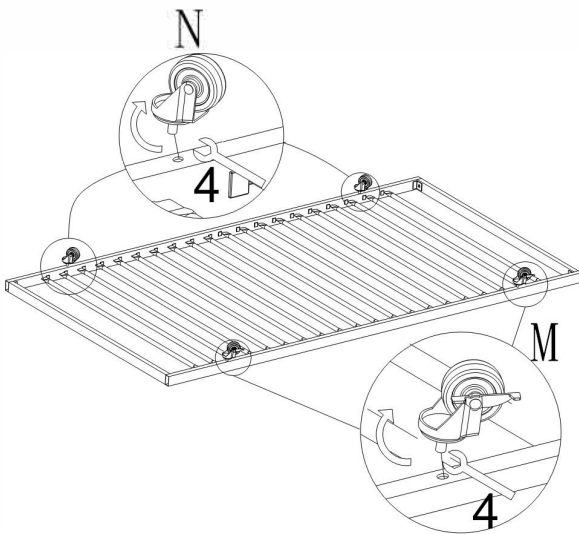
## STEP 5



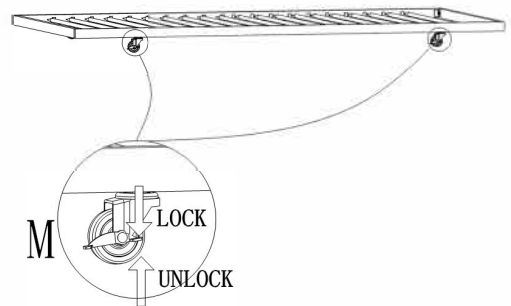
## STEP 6



## STEP 7

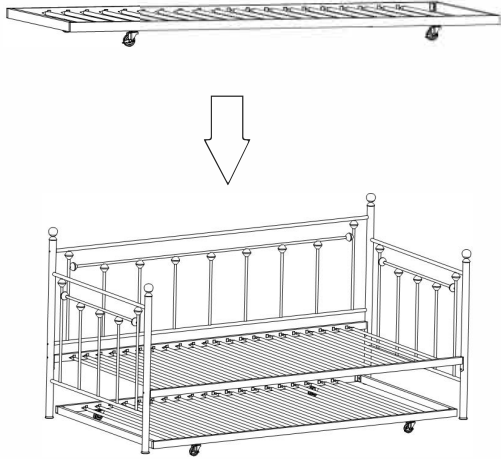


## STEP 8

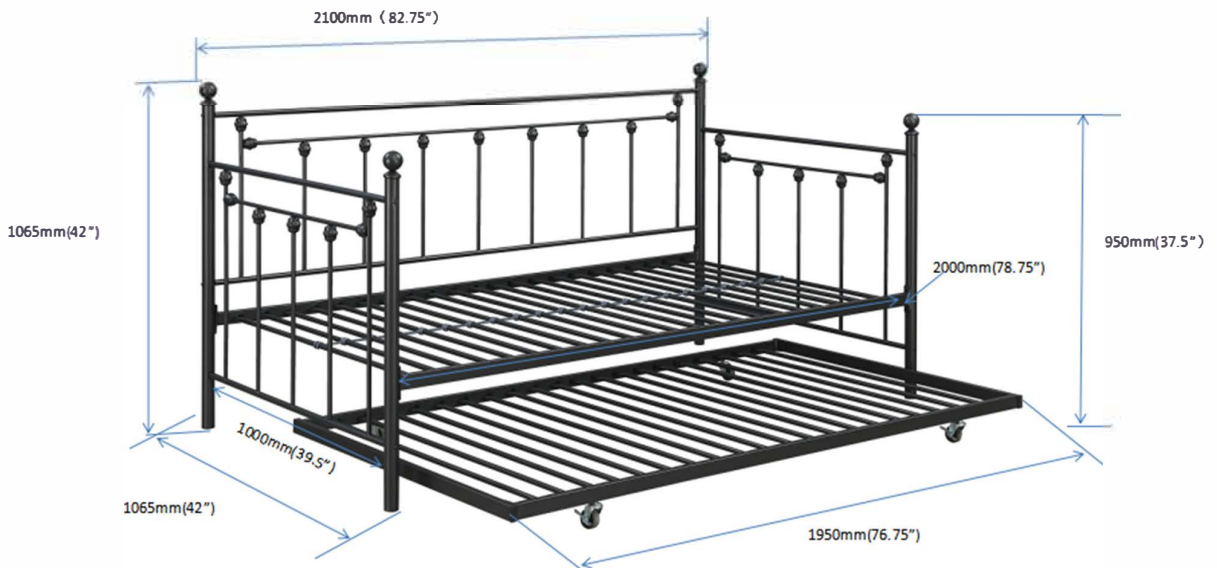
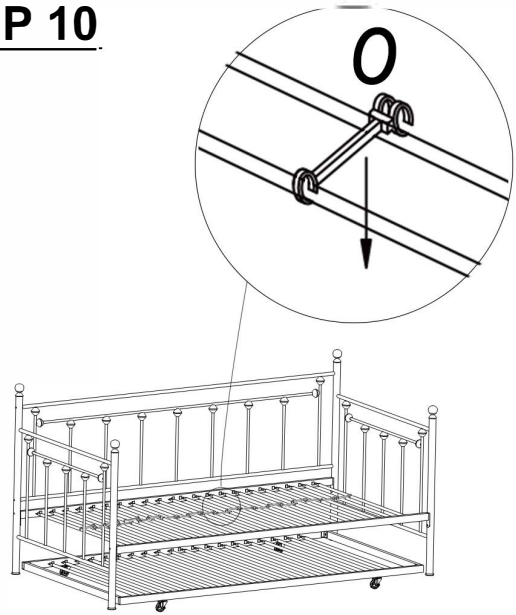


# ASSEMBLY INSTRUCTIONS

## STEP 9



## STEP 10



Note : Dimension tolerance  $\pm 5\%$

