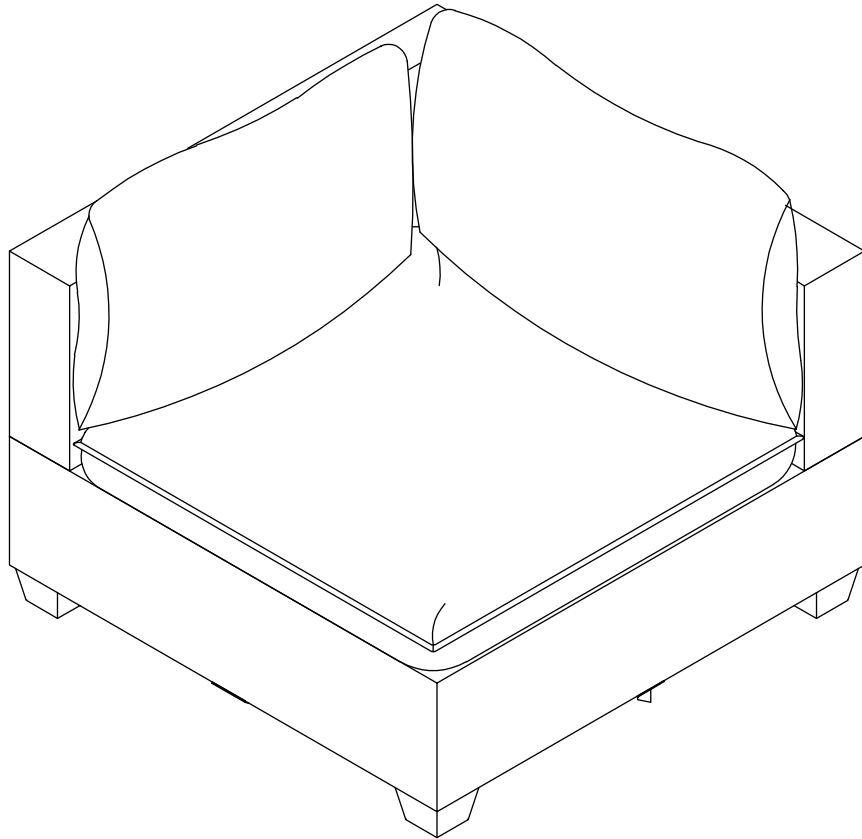


Let's build the

Chelsea Cloud Sofa— Corner Seat



SKU 22321



Scan me!

Free Lifetime
Warranty

nathan james

24-0917

Ok, let's get rolling

This should be easy, just follow our instructions and you will be back to Netflix in no time.

Estimated time for assembly



20:00

What you need

- Some of your favourite bubbly or your preferred relaxant
- Use the packaging carton as a working surface to prevent product damage during assembly

Do not use a drill



Weight Limitation



300
lbs

Toll-free at 1-866-619-1004
Help@nathanjames.com
Nathanjames.com/help

What's included

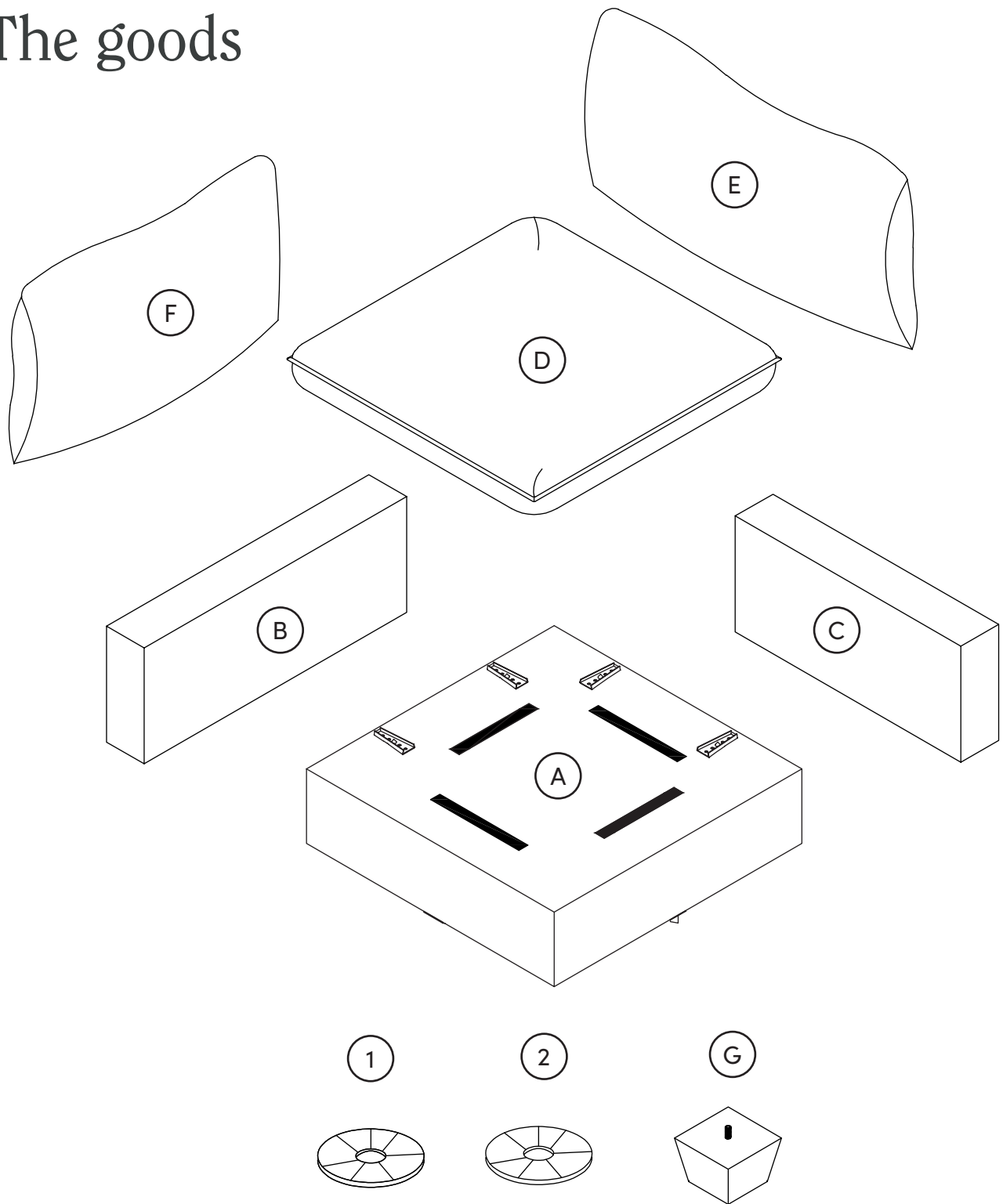
Description		Qty
A	Seat Frame	1
B	Armrest	1
C	Backrest	1
D	Seat Cushion	1
E	Big Pillow	1
F	Small Pillow	1
G	Leg	4
1	50mm Plastic Washer	4
2	50mm Plastic Washer (Extra)	2

Scan me!

Free Lifetime
Warranty



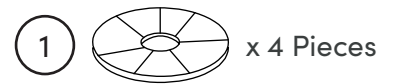
The goods



IMPORTANT

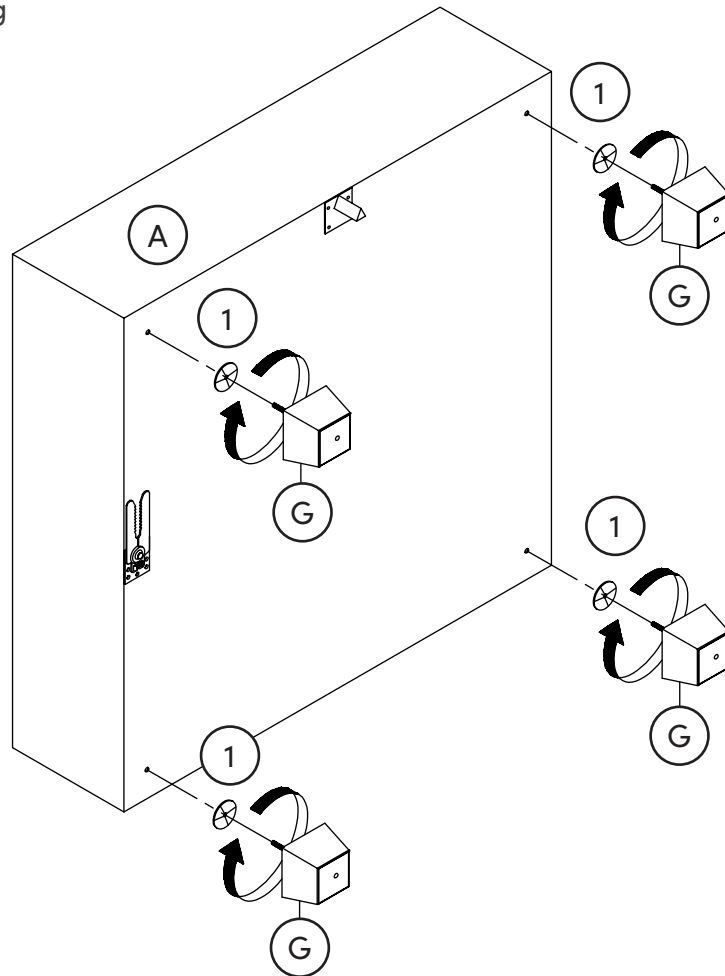
1. Do not tighten bolts / screws completely until all bolts / screws are lined up and inserted into holes.
2. Do not over tighten screws and bolts to avoid stripping.
3. Please use hand tools to assemble this product. Do not use power tools.

Step 1

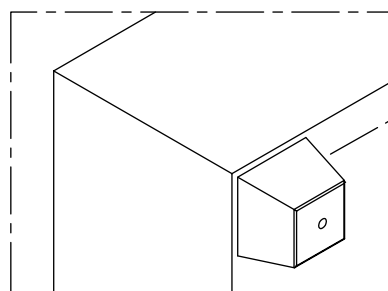


Alright, let's get started! Attach the Legs (G) to the Seat Frame (A) by screwing them in clockwise. Don't forget to place the 50mm Plastic Washers (1) on the end of the Leg bolts before attaching the legs.

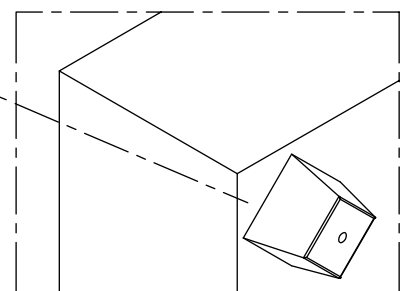
The edges of the Legs should be parallel to the edges of the sofa.



✓
Correct

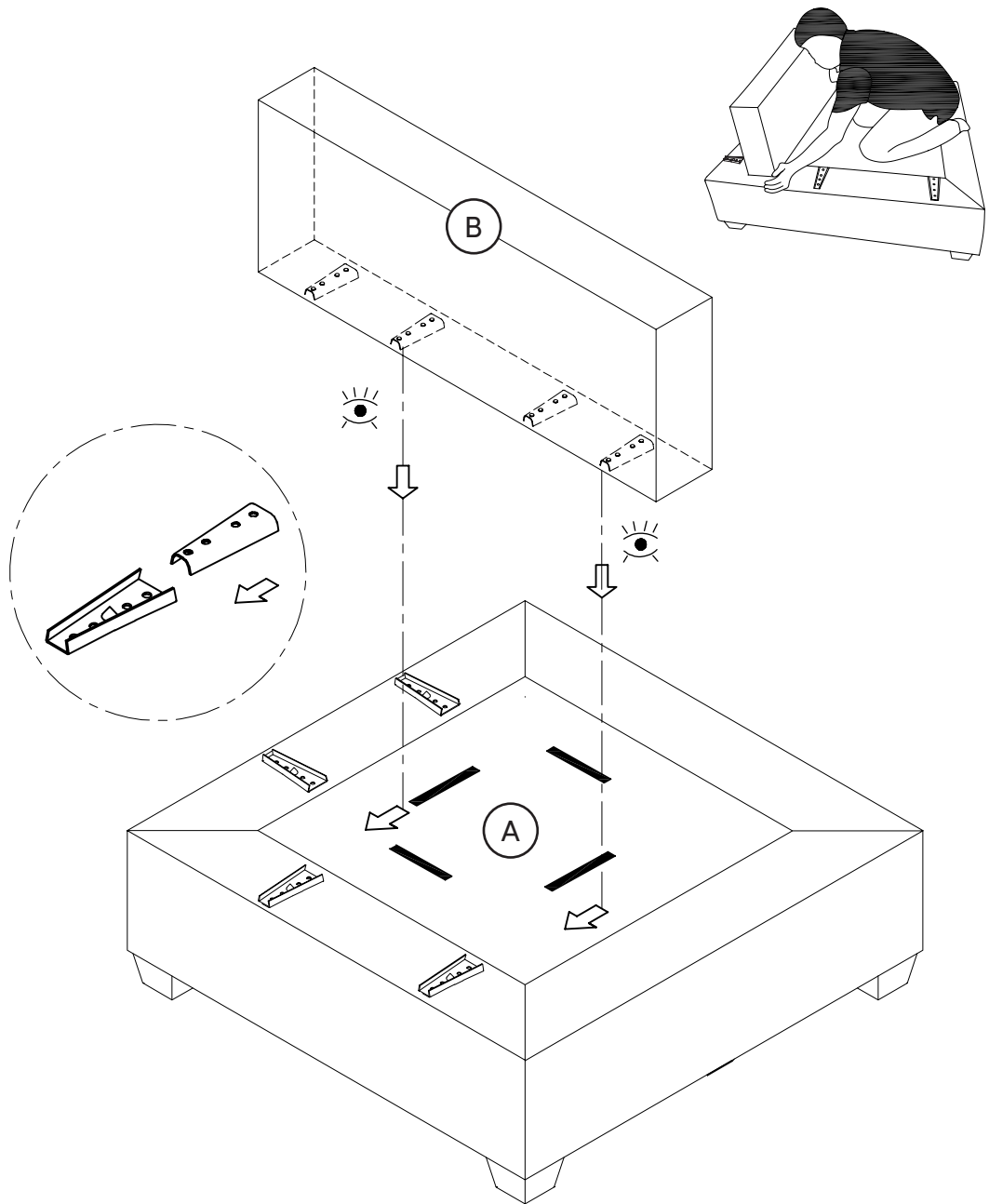


✗
Incorrect



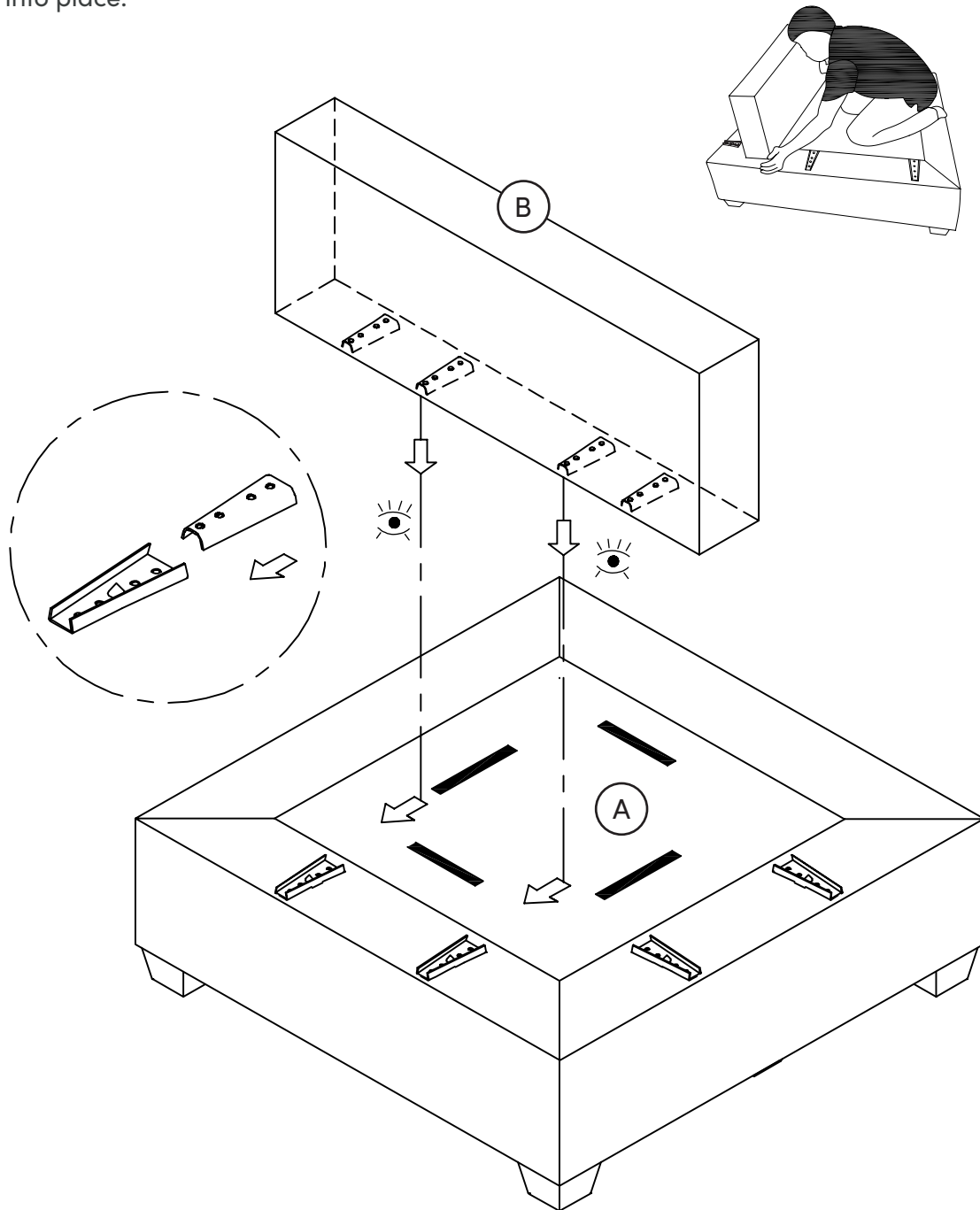
Step 2: When Using as Left End Piece

Next, attach the Armrest (B) to the Seat Frame (A) by aligning the attached slides and sliding into place.



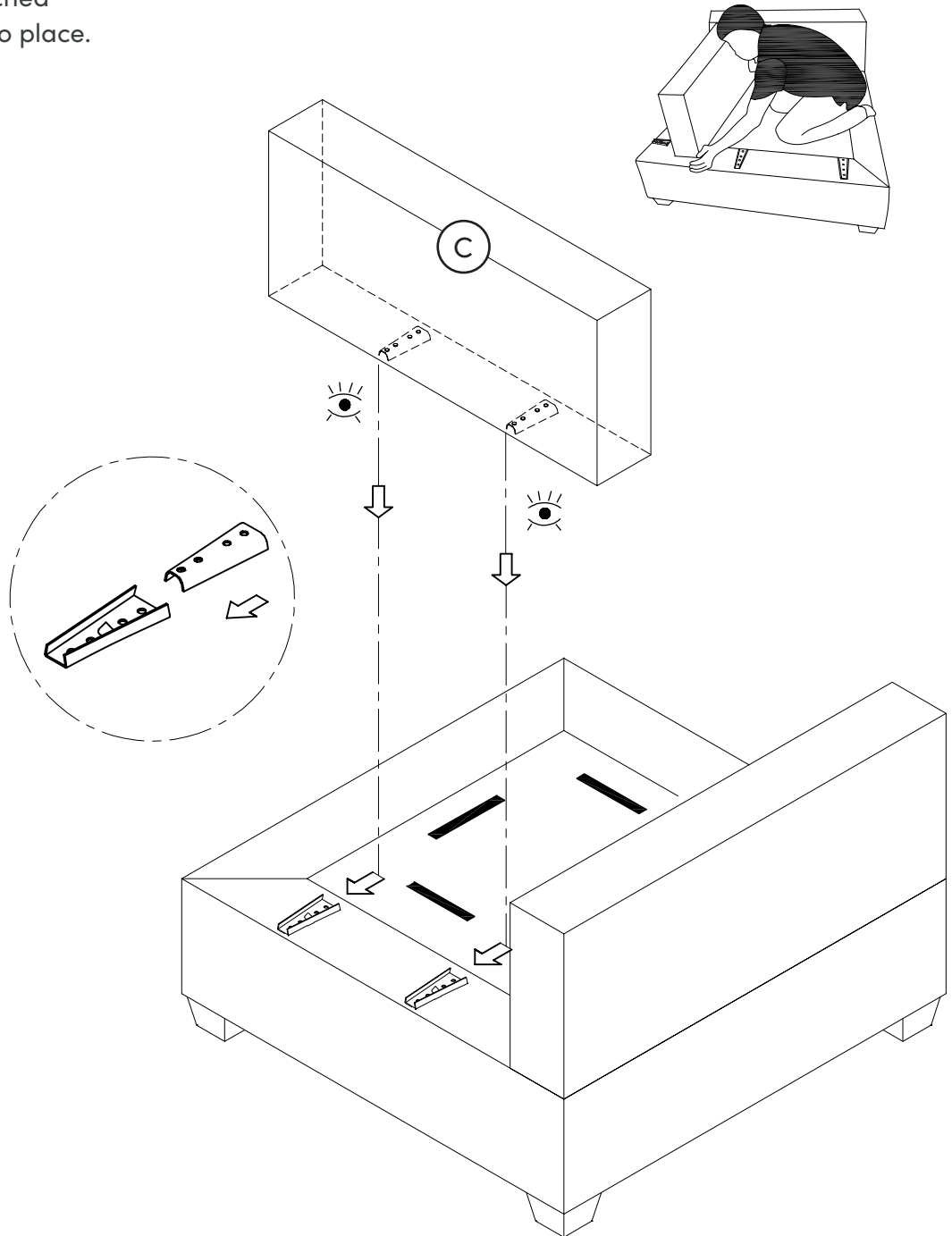
Step 2: When Using as Right End Piece

Next, attach the Armrest (B) to the Seat Frame (A) by aligning the attached slides and sliding into place.



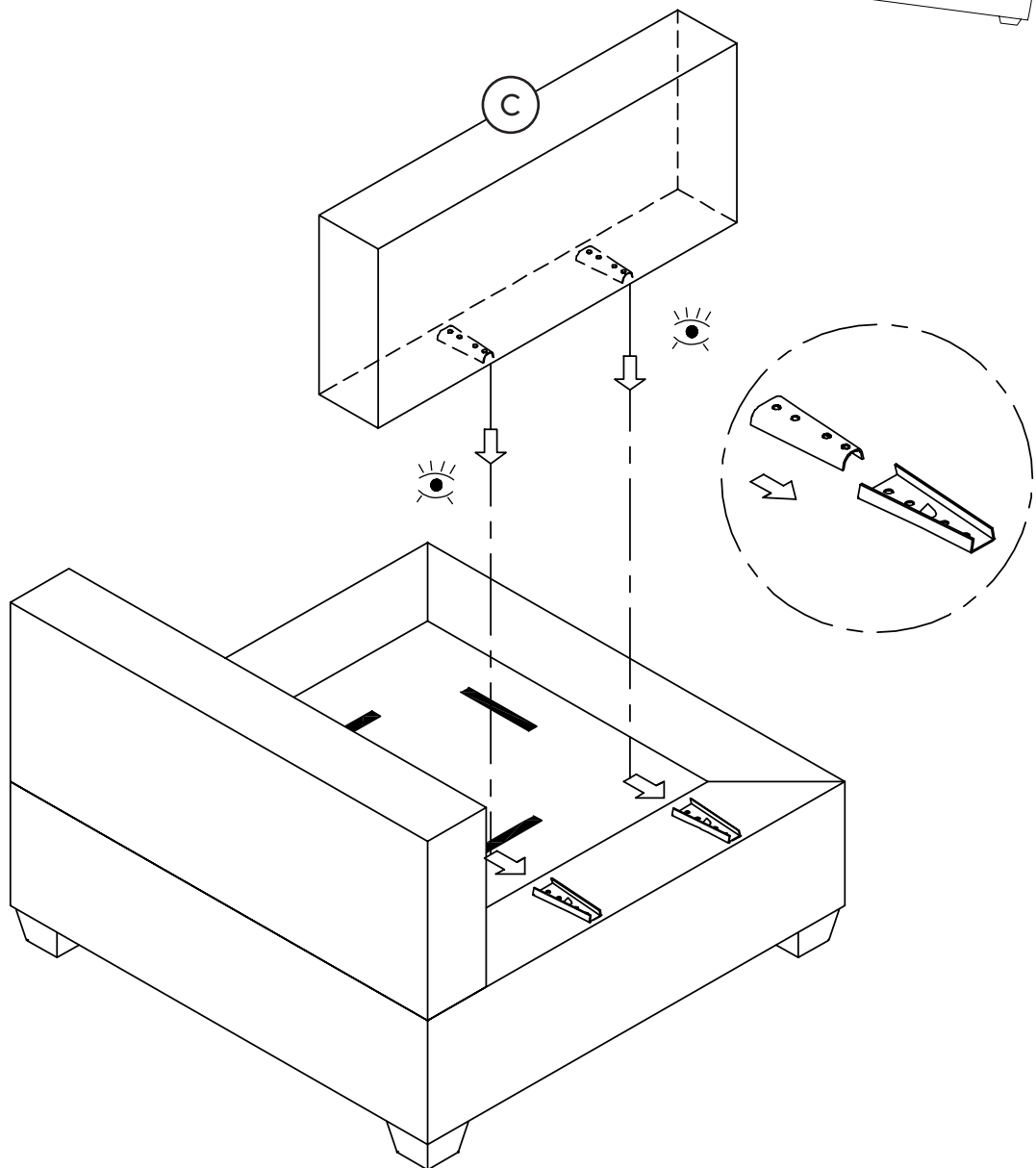
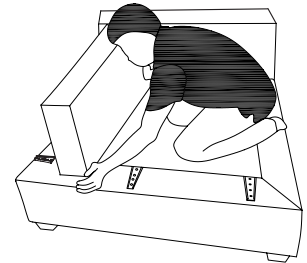
Step 3: When Using as Left End Piece

Now attach the Backrest (C) to the rest of the sofa frame by aligning the attached slides and sliding into place.



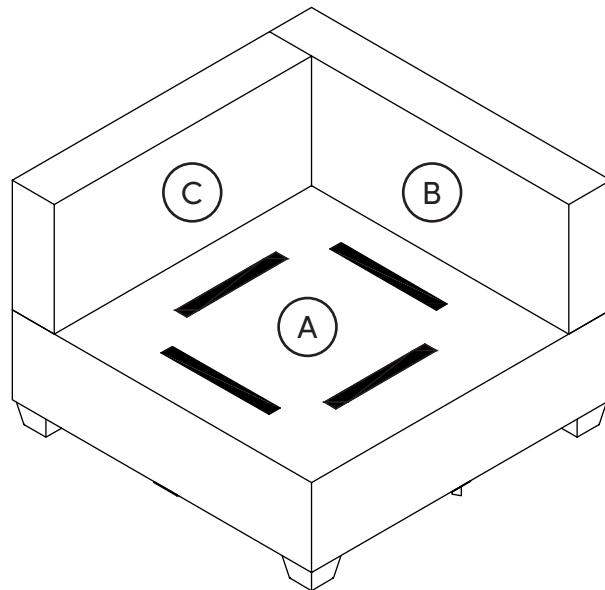
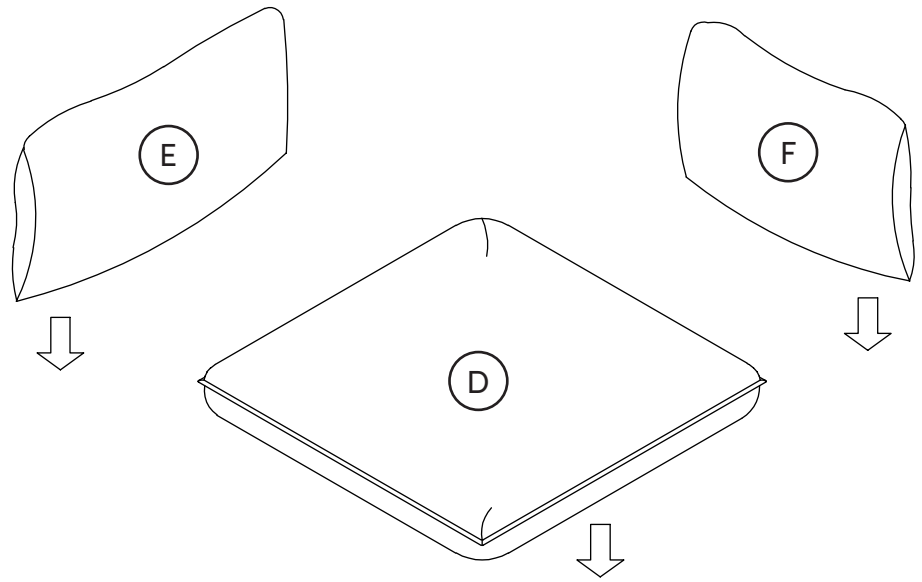
Step 3: When Using as Right End Piece

Now attach the Backrest (C) to the rest of the sofa frame by aligning the attached slides and sliding into place.



Step 4

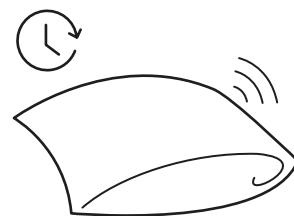
Finally, grab a friend to help and flip the seat upright. Put the cushions (E)(D)(F) into place, aligning the Seat Cushion (D) with the velcro on the Seat Frame (A).



Open and let each cushion begin to expand naturally.



Pat & massage each cushion gently, then flip it over and give it a few firm shakes.



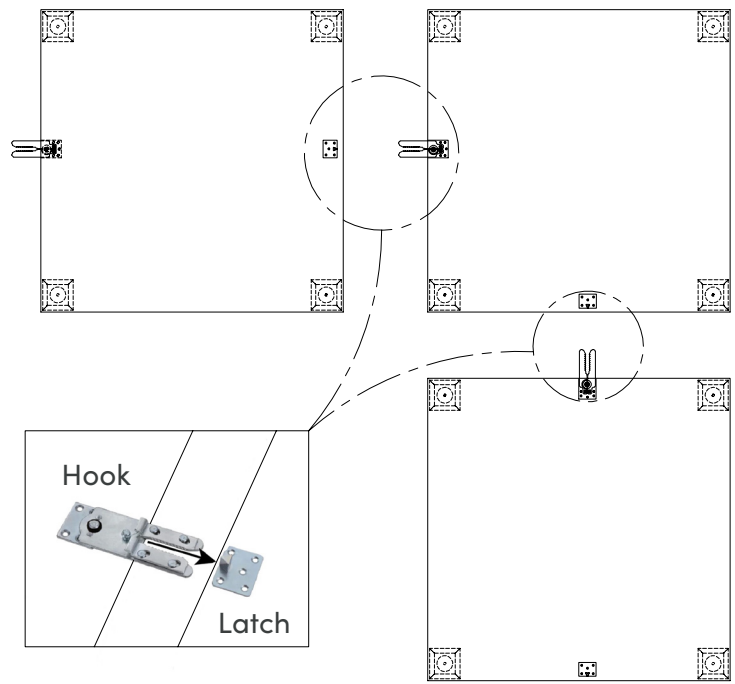
Cushions may continue to expand & fluff up over the next few hours or days.



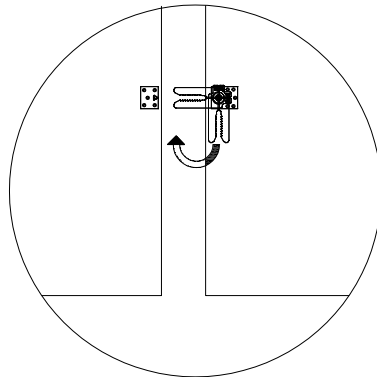
IMPORTANT NOTE:

Some cushion may take more time & more effort than others to fluff up entirely.

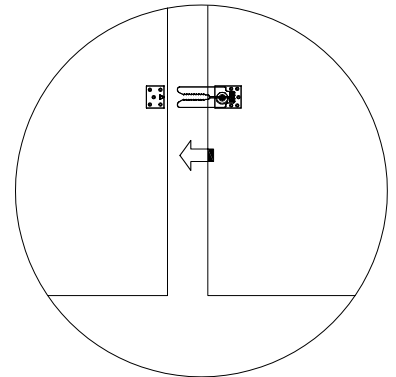
How the seats stay together!



How to Lock

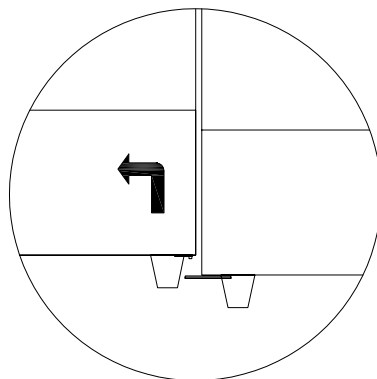


Turn the bracket straight out

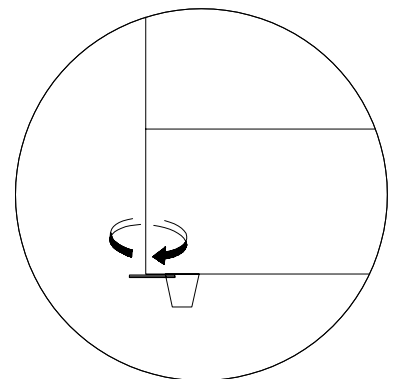


Slide to hook the latch

How to Unlock



Lift up and move out on the latch side



Turn to hide the hook

No heartburn, when we handle the return

Give us a call **1-866-619-1004** or shoot us a message at **help@nathanjames.com** we will issue you a free replacement with **zero hassle**.

Our way



Give us a call



Replacement



You

Their way



Re-package item



Schedule pick up



Track package



Replacement



You

We really don't want you to go through the hassle of re-packaging your item and sending it back, because let's be honest...nobody has time for that.

Safety first, fun later

We want your product to last as long as possible, so we recommend that you tighten the screws 2 weeks after assembly and for added safety check the tightness of all screws every 2 months.

For proper care and treatment, please check our website at NathanJames.com/products

Safe use of this product starts with you.

Use this product responsibly with the primary concern for your safety. Follow assembly instructions carefully and inspect product upon receipt and each use.

Nathan James and its parent companies cannot be held legally responsible for any injuries or death resulted from failure to follow instructions or improper use of this product.

Do not modify the structure of this product in any way.

Our products have been tested to meet specific safety measures as they were originally intended to be sold. Any modifications will present the risk of creating significant safety issues which NJ will not be responsible for.

Proper use

- DO NOT** use for commercial purposes
- DO NOT** leave spilled liquid on seat
- DO NOT** use sofa if damaged
- DO NOT** make temporary repairs
- DO NOT** use outdoors

We are only in business if you're happy

For starters, thanks for being you.

☎ Toll-free at 1-866-619-1004

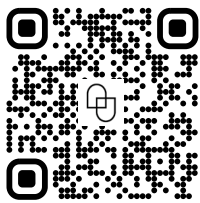
✉ Help@nathanjames.com

🌐 NathanJames.com/help

We do our best to ensure your furniture arrives without any problems, but occasionally mistakes happen—as humans we are imperfect beings. In the event that a part is damaged or missing, we will be more than happy to provide you with replacement part(s) for free.

Warranty

This product comes with a lifetime warranty from the date of purchase. Please use your phone to scan the QR code to register your product or visit <https://goo.gl/i9dk3q>



Did we do alright? Please spread the love!

If you are happy with your product, tell your friends and family about us or even better leave us a review online. Spreading the word gives us the opportunity to make more people happy and keep our prices low for your next purchase.

Brooke Burdon

Founder, Nathan James