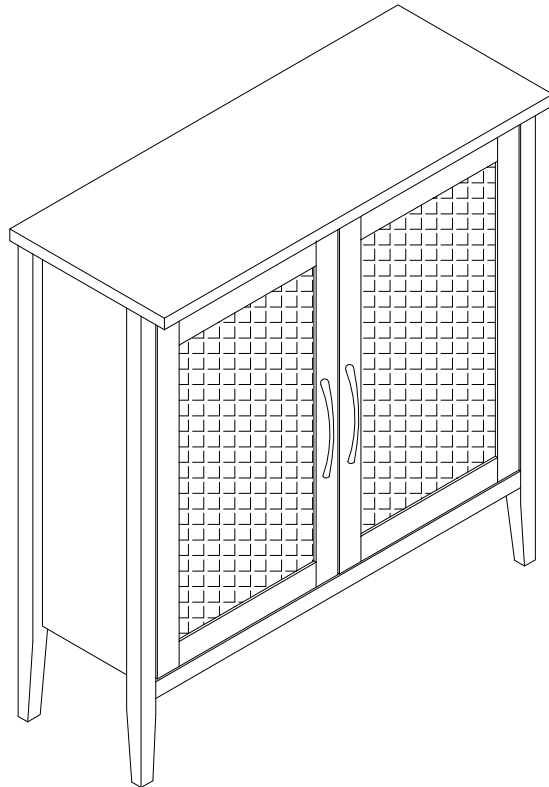


ASSEMBLY INSTRUCTIONS

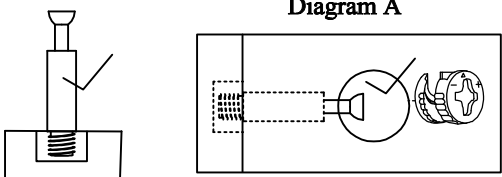


NOTE TO CUSTOMERS:

- For ease and speed of assembly we recommend that before you commence each step of the assembly that you identify all the parts required to complete that step.
- We recommend that where possible you allow sufficient space to assemble the item as close as possible to the place where it will be once assembled.
- For the protection of your furniture we recommend that the product is placed on protected surfaces during assembly to prevent any damage.
- During assembly do not over tighten, as this may damage the product.
- Please ensure you retain all the product packaging until the item completely assembled.
- Please periodically check all fittings and re-tighten as necessary.
- Please never allow any liquids to remain on your furniture as absorption can cause the wood to warp or finish to de-laminate.

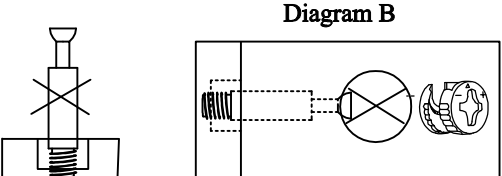
To insert a cam lock: (Please read below instructions before assembling)

Diagram A



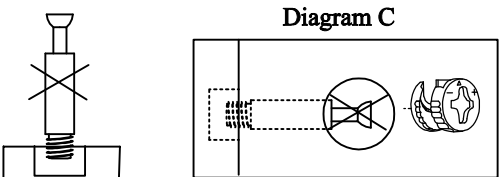
1. Insert cam screw into hole as shown in diagram A .

Diagram B

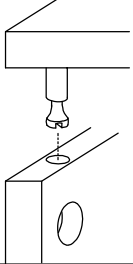


Make sure not to insert the cam screw:
Too deep as shown in figure B as this will cause the cam screw to be misaligned and unable to interlock properly.

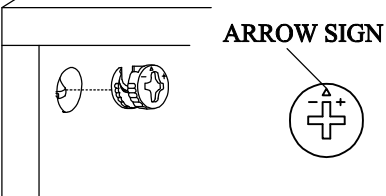
Diagram C



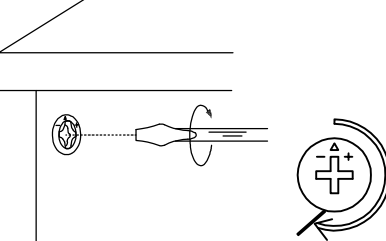
Also avoid inserting the cam screw too close to the surface of the hole as shown in figure C, as this will cause the cam lock to be too loose, and not interlock properly.



2. Connect the panels together.



3. When inserting the cam lock make sure the arrow of the cam lock faces the cam screw.



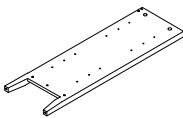
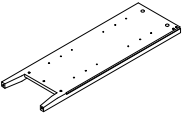
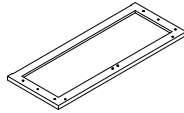

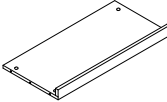
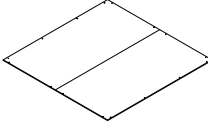
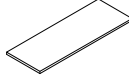
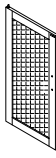
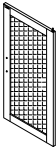
4. To tighten the cam lock turn the cam lock clockwise 90-180 degree or until the arrow is facing opposite the place cam lock was inserted.

NOTE: DO NOT USE AN AUTOMATIC SCREWDRIVER TO TIGHTEN CAM LOCKS.

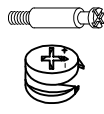

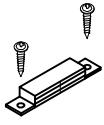


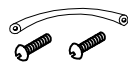


Note:

- Read these instructions carefully before assembling.
- Tools required : Phillips screwdriver, flat screwdriver.
- Find a clean, smooth area on which to work , such as a carpet, in order to avoid scratching the wood surfaces.
- Wait to dispose of the packing material until assembly is complete and all parts and hardware are accounted for.
- Two or more people might be required for assembly.

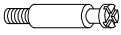

Part List

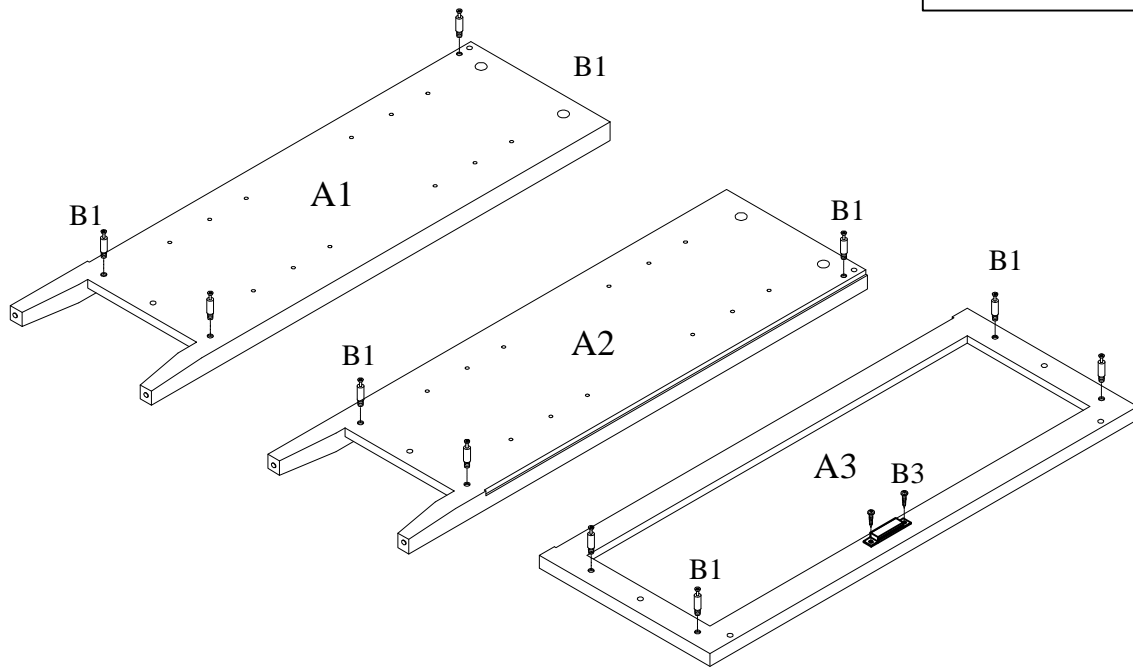
<p>A1 Quantity of 1</p>  <p>Left Side Panel</p>	<p>A2 Quantity of 1</p>  <p>Right Side Panel</p>	<p>A3 Quantity of 1</p>  <p>Top Panel</p>	<p>A4 Quantity of 1</p>  <p>Connector Bar</p>
<p>A5 Quantity of 1</p>  <p>Bottom Panel</p>	<p>A6 Quantity of 1</p>  <p>Back Panel</p>	<p>A7 Quantity of 2</p>  <p>Adjustable Shelf</p>	<p>A8 Quantity of 1</p>  <p>Left Door</p>
<p>A9 Quantity of 1</p>  <p>Right Door</p>			

Hardware List

<p>B1 Quantity of 10</p>  <p>Cambolt & Camnut</p>	<p>B2 Quantity of 6</p>  <p>Wood Dowel</p>	<p>B3 Quantity of 1</p>  <p>Magnet</p>	<p>B4 Quantity of 16</p>  <p>Screw</p>	<p>B5 Quantity of 8</p>  <p>Support</p>
<p>B6 Quantity of 2</p>  <p>Handle & Blot</p>	<p>B7 Quantity of 1</p>  <p>Anchor with Screw</p>	<p>B8 Quantity of 1</p>  <p>Anti-tip kit</p>		



Step 1

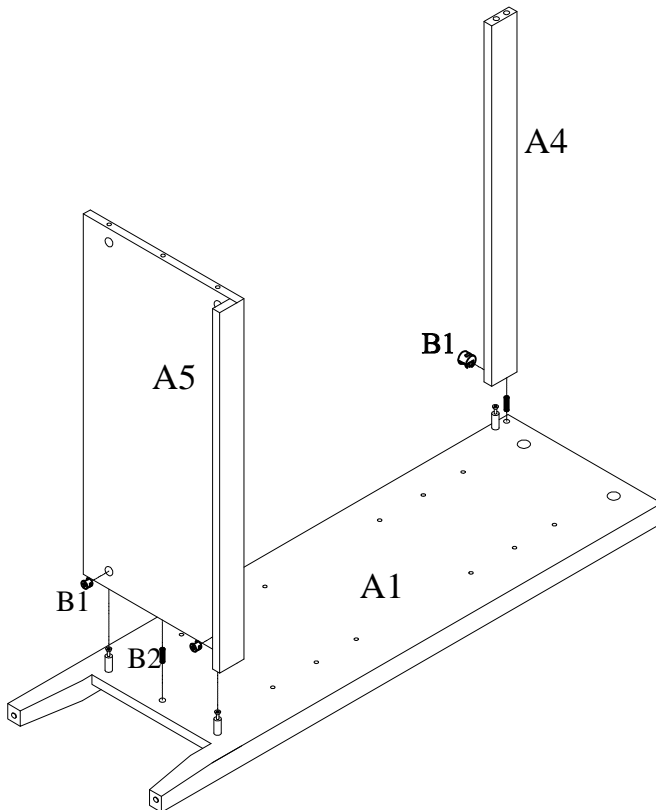
B1 :		10pcs
B3 :		1set



- 1). Attach and tighten Cambolts B1 to Top Panel A3 ,Side Panels A1 &A2 as shown above.
- 2). Assemble Magnet B3 to the bottom of Top Panel A3 by included screws as shown above.

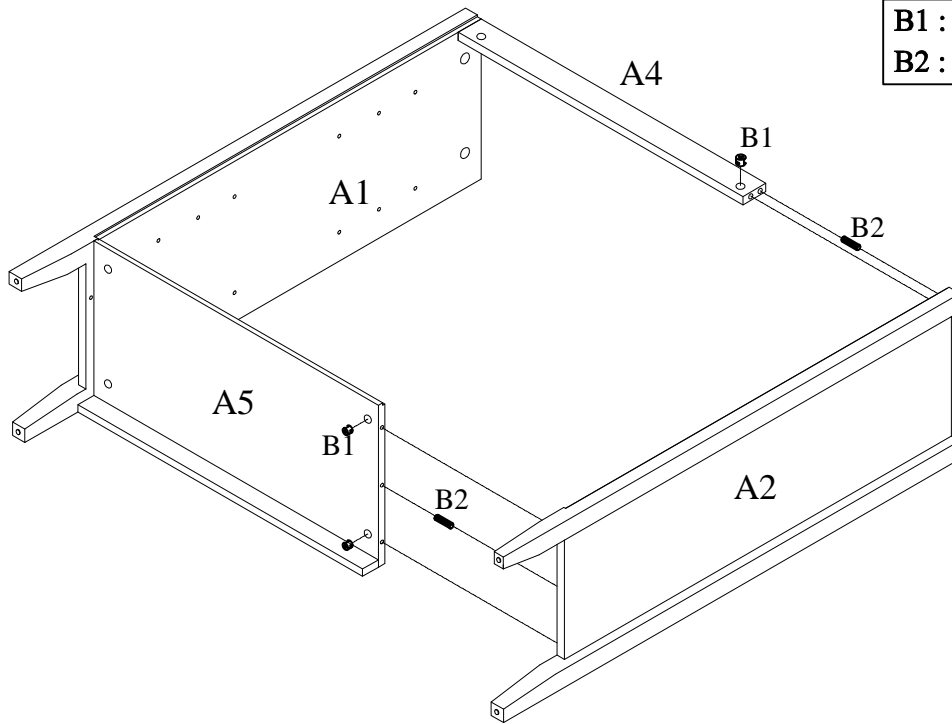
Step 2



B1 :		3pcs
B2 :		2pcs



Assemble Bottom Panel A5 , Connector Bar A4 to Left Side Panel A1 using Cambolts & Cam-nuts B1 and Wood Dowel B2 as shown above.

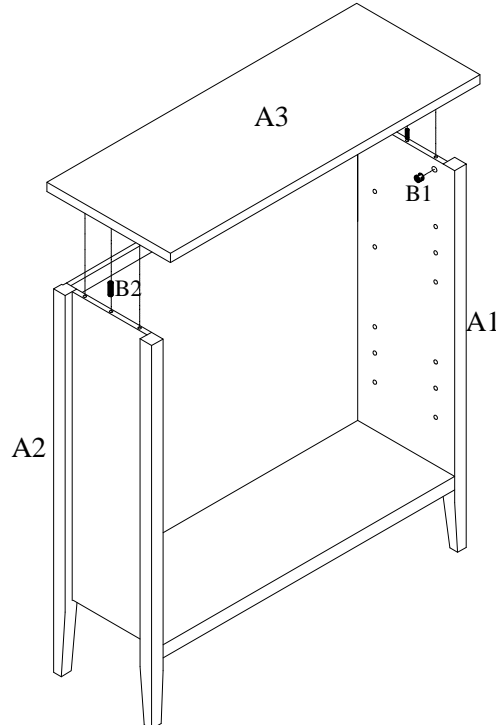
Step 3





B1 :		3pcs
B2 :		2pcs

Assemble Right Side Panel A2 to Bottom Panel A5 and Connector Bar A4 using Cam-bolts & Cam-nuts B1 and Wood Dowels B2 as shown above.

Step 4

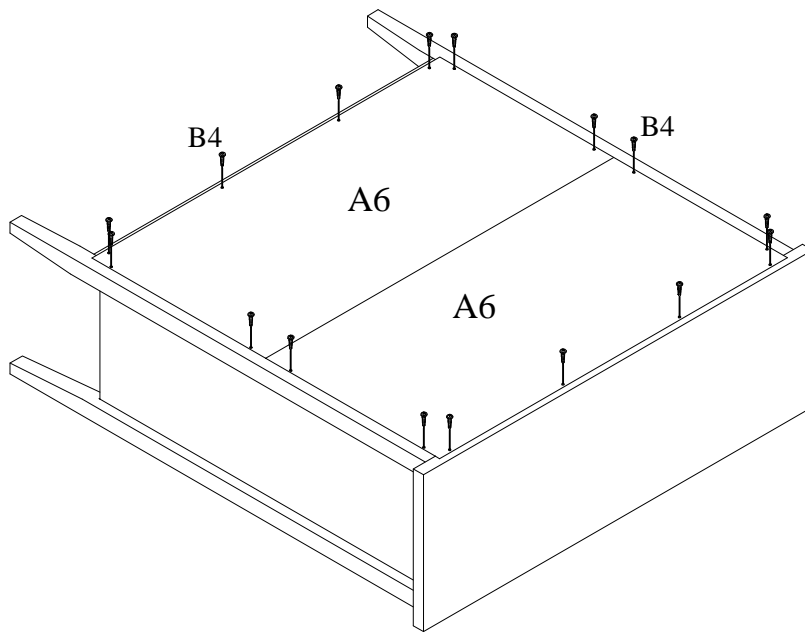


B1 :		4pcs
B2 :		2pcs

Assemble Top Panel A3 to Right Side Panel A2 and Left Side Panel A1 using Cam-bolts & Cam-nuts B1 and Wood Dowels B2 as shown above.

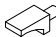
Step 5

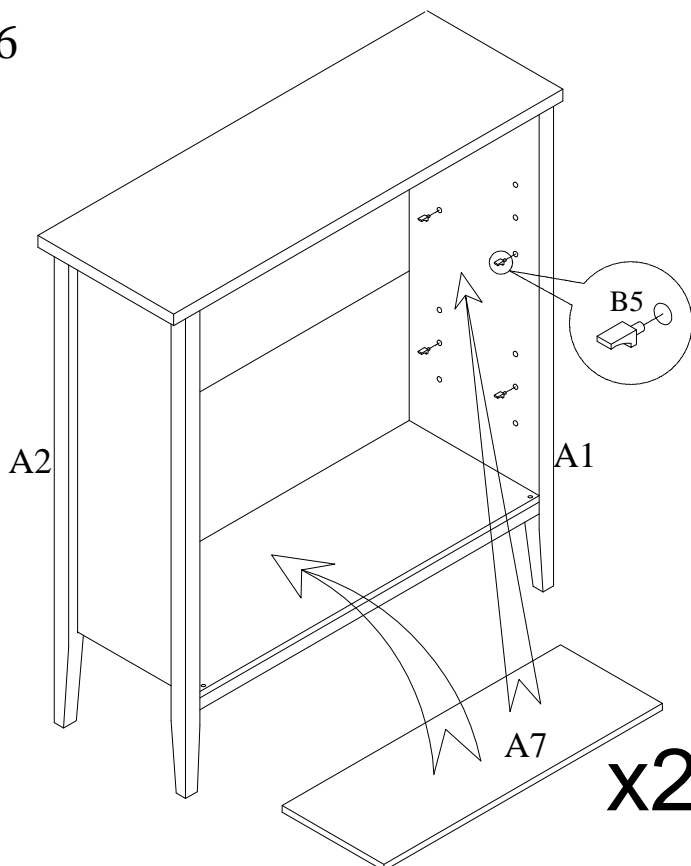
B4:  16pcs



Assemble Back Panel A6 to the back of this unit using Screws B4 as shown above.

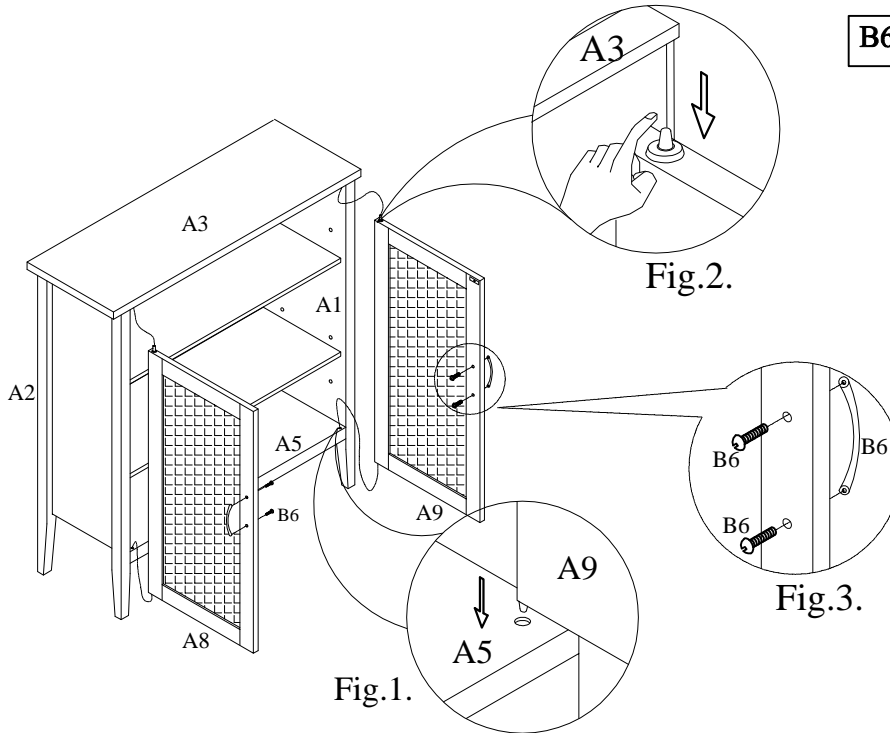
Step 6

B5 :  8pcs



Insert Supports B5 into holes on Side Panels A1 & A2 , then place Adjustable Shelves A7 onto Supports B5 as shown above.

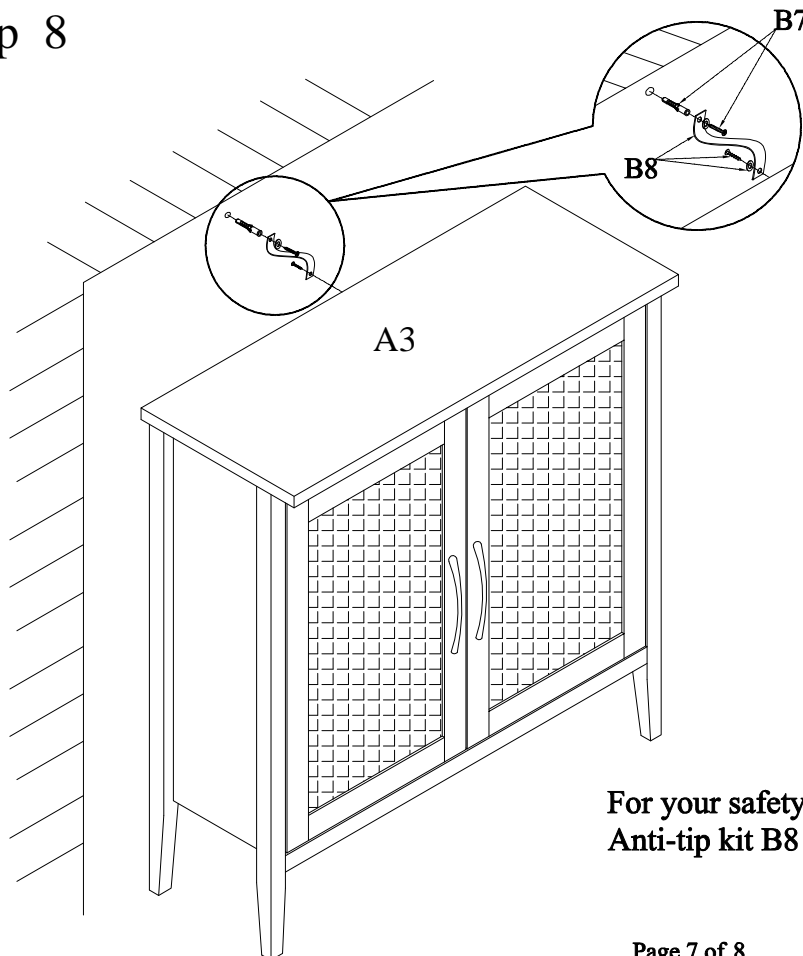
Step 7



B6:  2set

- 1). Connect Right Door A9 to Bottom Panel A5 as above Fig.1.
- 2). Press the upper pin on Right Door A9 see Fig.2. and insert Right Door A9 carefully into cabinet with the upper pin popping up into the holes of Top Panel A1.
- 3). Attach Handle B6 to Right Door A9 using included screws.
- 4). Repeat above three steps to assemble the other door.

Step 8

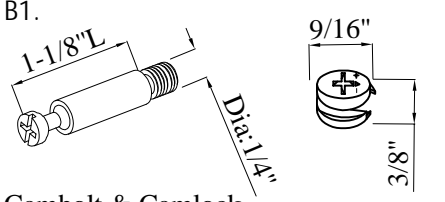
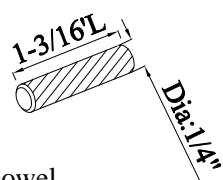
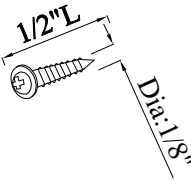
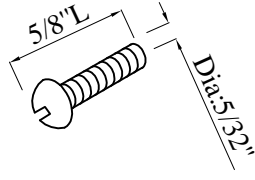
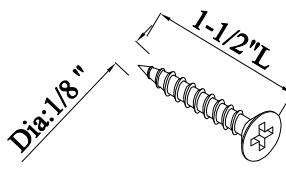
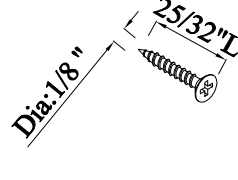


B7:  1pc

B8:  1pc

For your safety, please attach this unit to the wall by Anti-tip kit B8 and Wall Anchor with Screw B7.

APPENDIX: Dimension of Hardwares in this AI.

<p>B1.</p>  <p>Cambolt & Camlock</p>	<p>B2.</p>  <p>Wood Dowel</p>	<p>B3&B4.</p>  <p>Screw</p>
<p>B6.</p>  <p>Bolt</p>	<p>B7.</p>  <p>Screw</p>	<p>B8.</p>  <p>Screw</p>