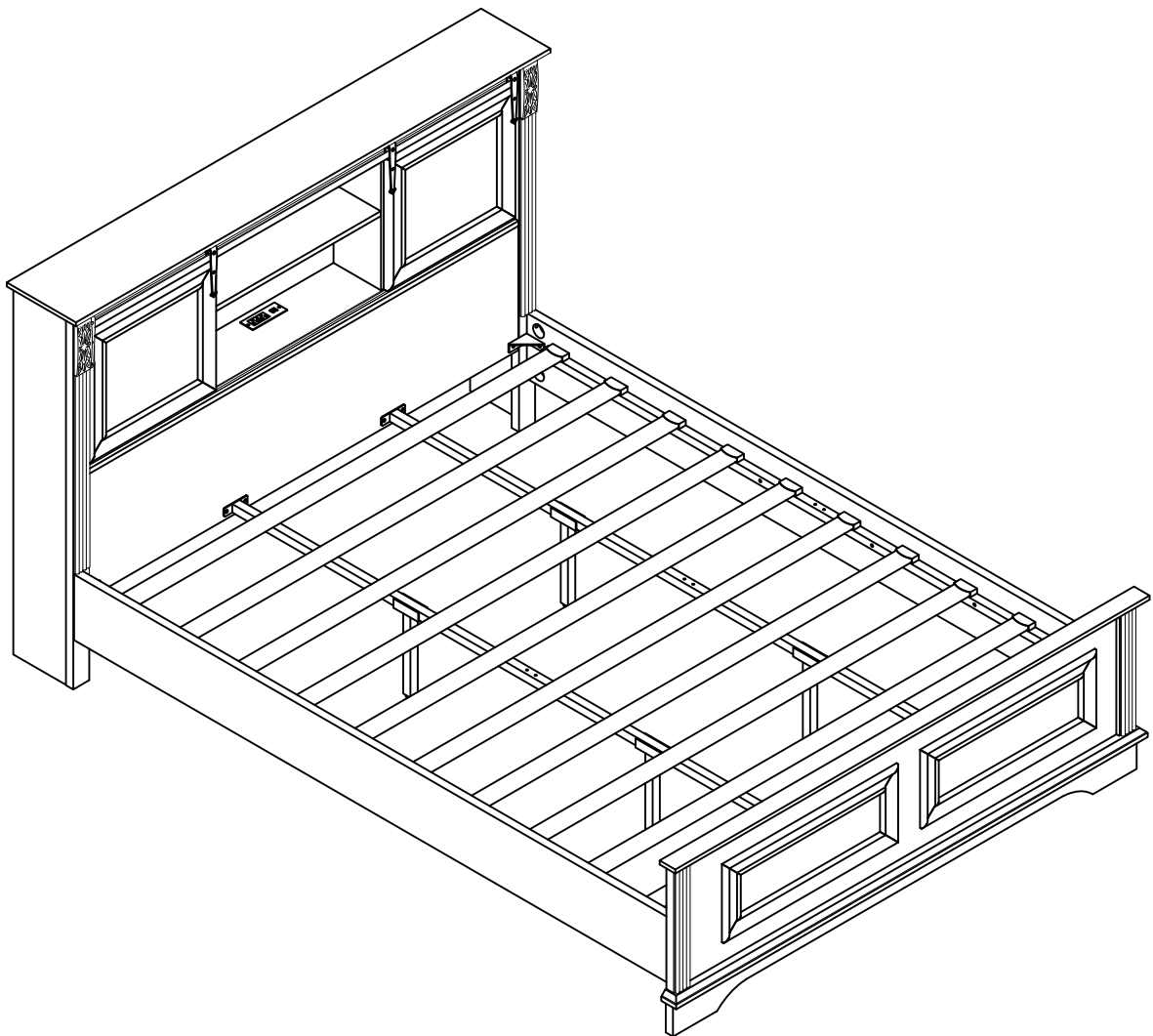
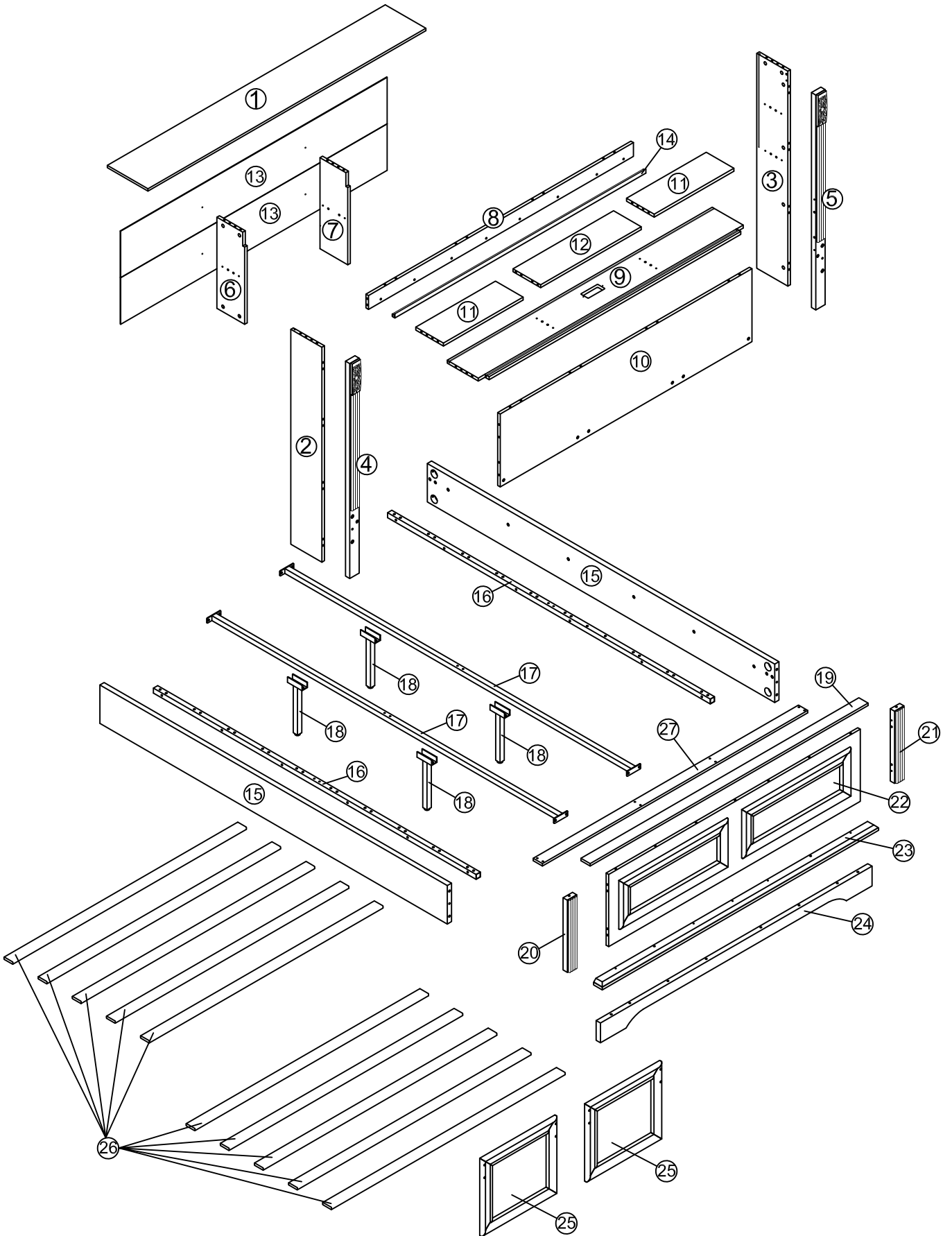


Assembly Instructions



Parts List



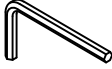
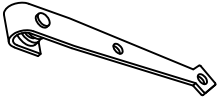
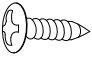
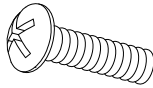
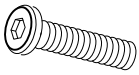
PARTS IDENTIFICATION

CODE	DESCRIPTION	QTY
1	Headboard	1
2	Left side headboard	1
3	Headboard right side	1
4	Head of bed, left front column	1
5	Right front column of bed	1
6	Head of bed left middle side	1
7	Right middle side of the head of the bed	1
8	Headboard, horizontal board	1
9	Headboard, laminate	1
10	Headboard support	1
11	Headboard left and right	2
12	Headboard, middle board	1
13	Lagging timber	1
14	Top rail	1
15	Bed side panel	2
16	Side of the bed, iron	2
17	In the bed, iron	2
18	Midbed leg	4
19	Bed end screen	1
20	Left post at the end of the bed	1
21	Right post at the end of bed	1
22	Footboard	1
23	Bottom of the bed	1
24	Foot of bed	1
25	Door plate	2
26	Dedrail	10
27	Pull rod in bed	1

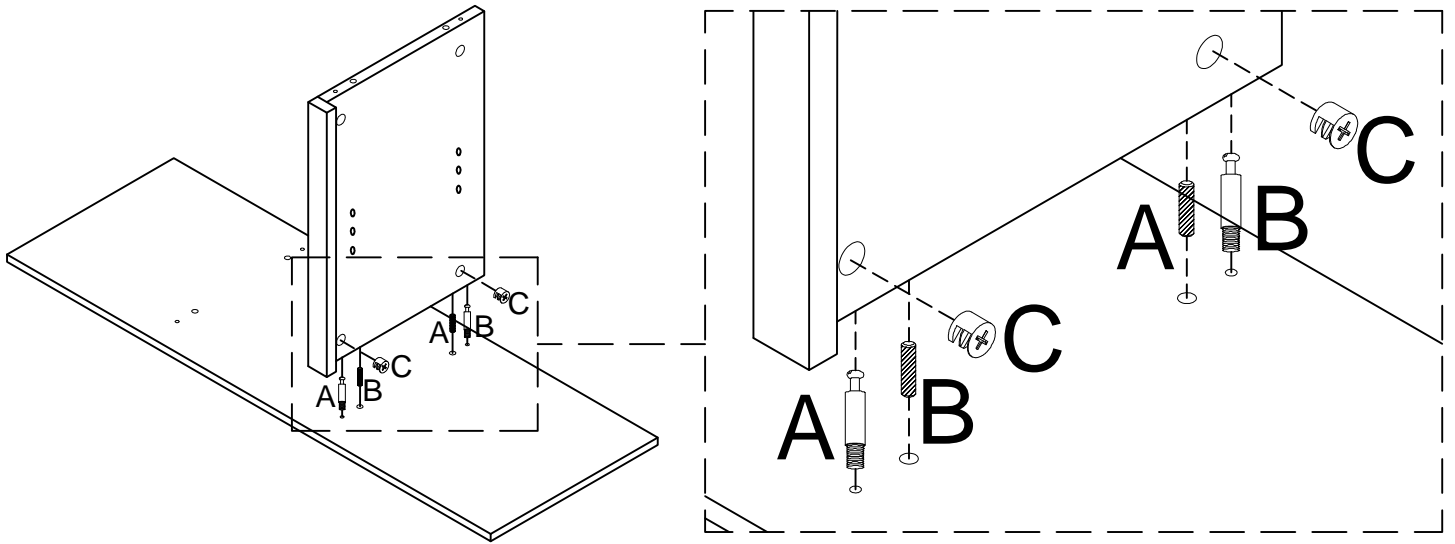
List of Parts

No.	Hard ware	Quantity
A		68+2
B	 Ø8x30mm	62+2
C	 Ø15x9mm	68+2
D	 Ø23mm	36+2
E	 Ø3x14mm	4
F		1
G	 Ø3x12mm	2
H		10+1
	 Ø3x17	10+1
J	 M8x60	10+1
K	 34*14*8.5mm	10+1
L	 Ø12*6	10+1
M	 85*25*2mm	1

List of Parts

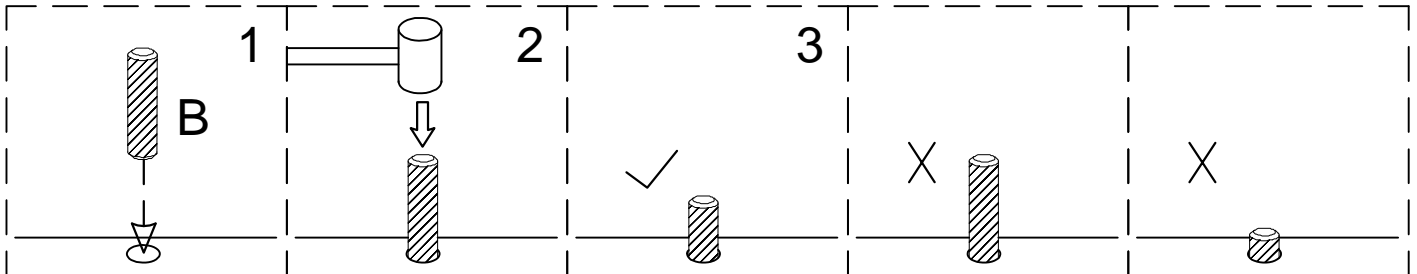
No.	Hard ware	Quantity
N	 M6x14	32+2
O	 M6x40	12+1
P	 Ø4	1
Q	 56*30*30mm	20+1
R	 Ø38	10+1
S	 62*62*25*3mm	4
T		4
U		4
V	 Ø4x12	8
W	 M6x12	8
X	 M6x20	8
Y	 48*15*3mm	6
Z	 M6x20	8+1

How the knock down (kd) assembly system works

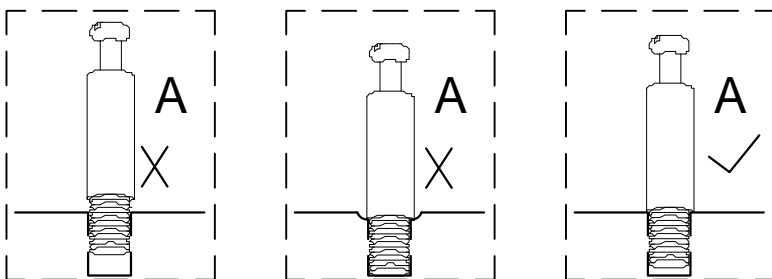


How do we install the wood dowel

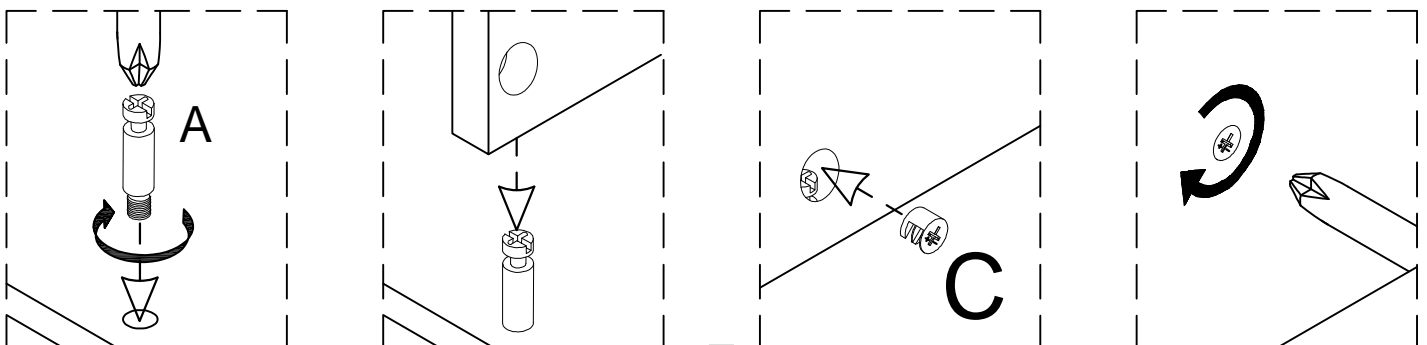
Insert the wood dowel [B] at least half way by tapping lightly with a rubber mallet, IF NECESSARY.



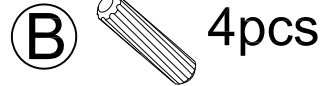
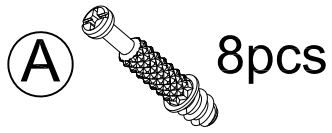
CAM LOCK SYSTEM OPERATION



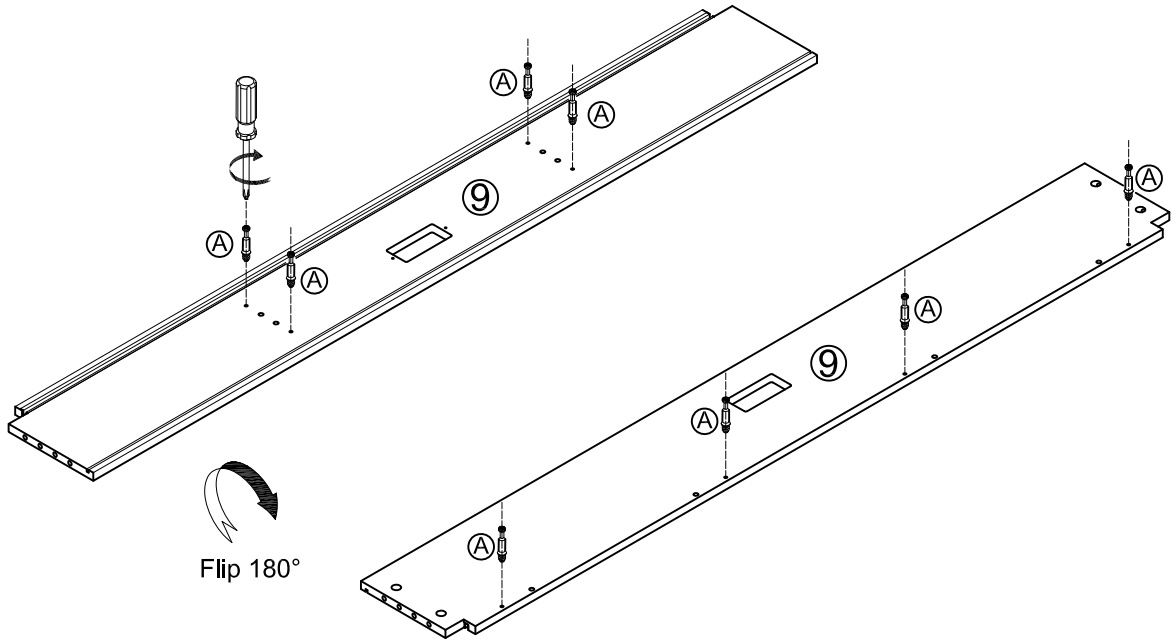
1. Screw the cam bolt [A] into the threaded insert on the panel.
2. Connect both panels together making sure cam bolt [A] goes into the pre-drilled large hole on the end of panel for cam lock [C].
3. Insert the cam lock [C] into the pre-drilled large hole on the panel. Make sure the cross slot of cam lock [C] faces out.
4. Rotate the cam lock [C] clockwise with a supplied screwdriver to lock the cam bolt [A] in place.



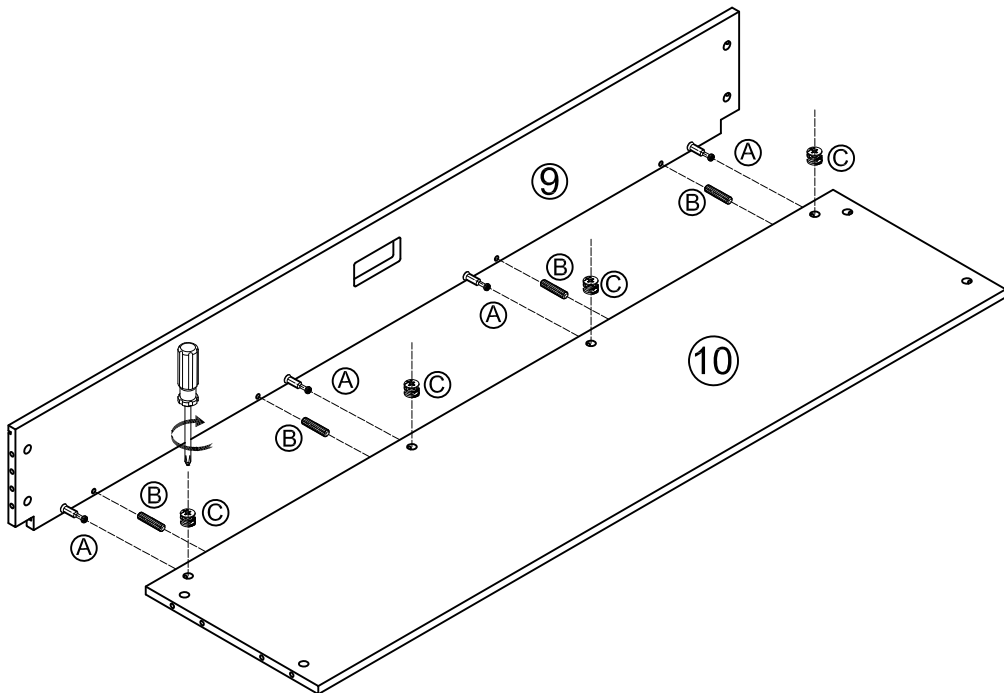
Step 1



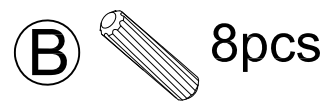
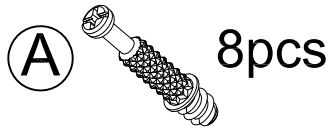
-Screw (A) to (9) as below shown



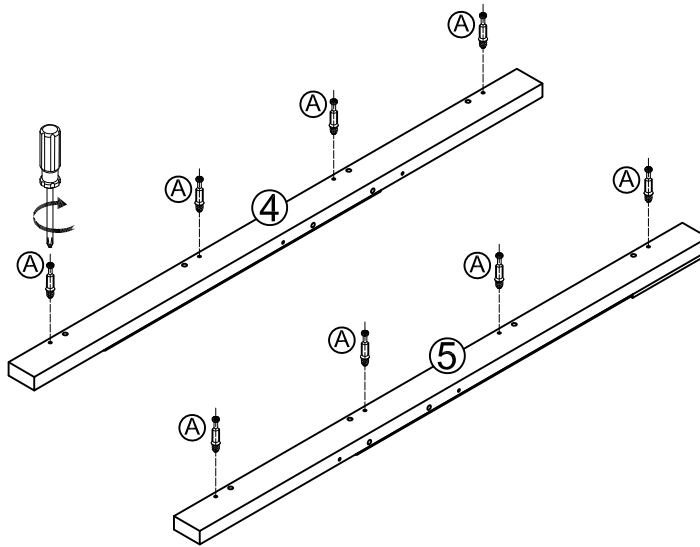
-Screw (C) to lock (9) and (10) as below shown



Step 2

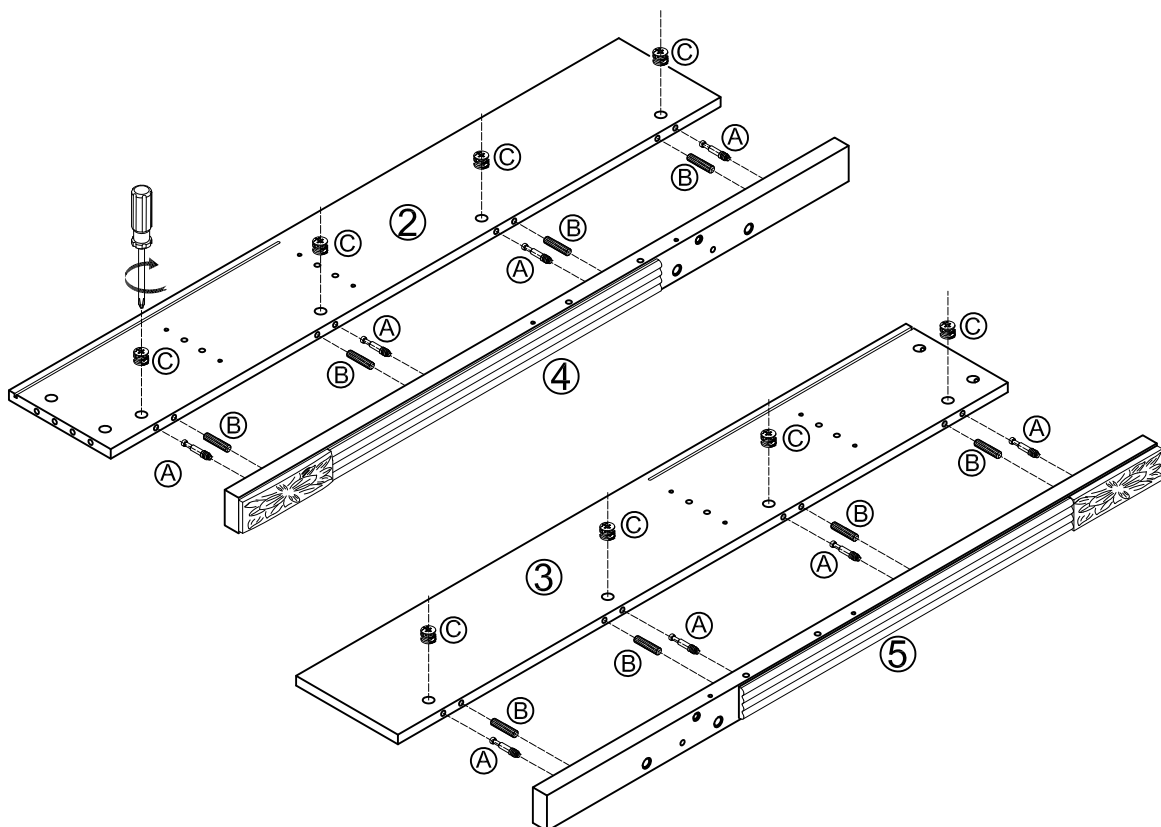


-Screw (A) to (4、5) as below shown



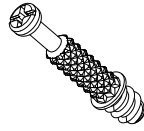
-Screw (C) to lock (4) and (2) as below shown

-Screw (C) to lock (5) and (3) as below shown



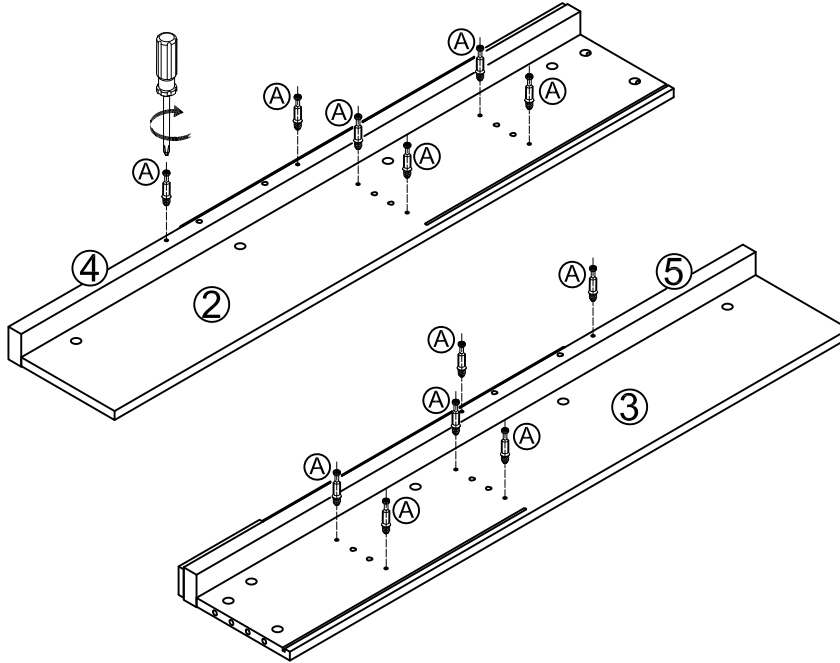
Step 3

(A)

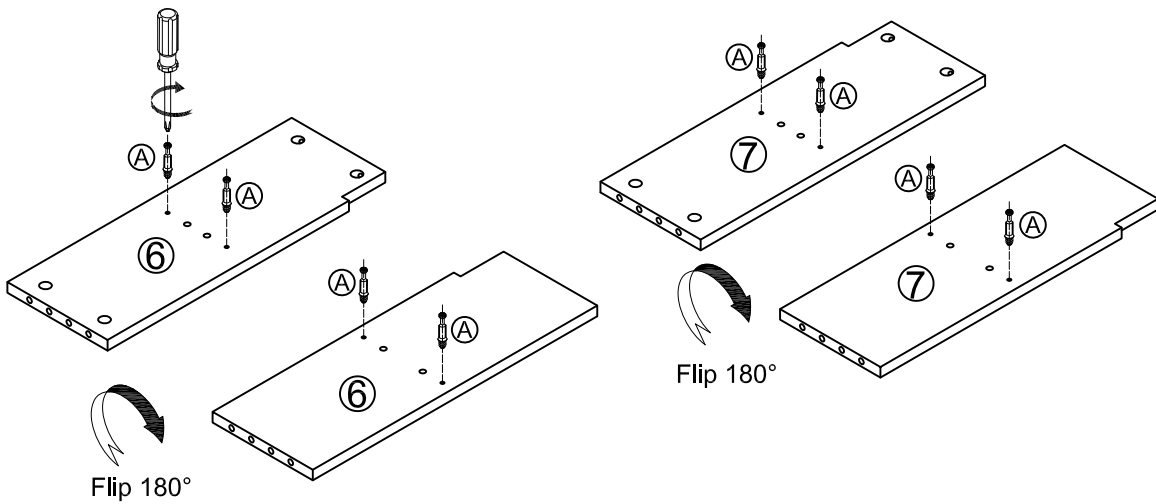


20pcs

-Screw (A) to (2、4、3、5) as below shown

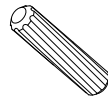


-Screw (A) to (6、7) as below shown



Step 4

(B)



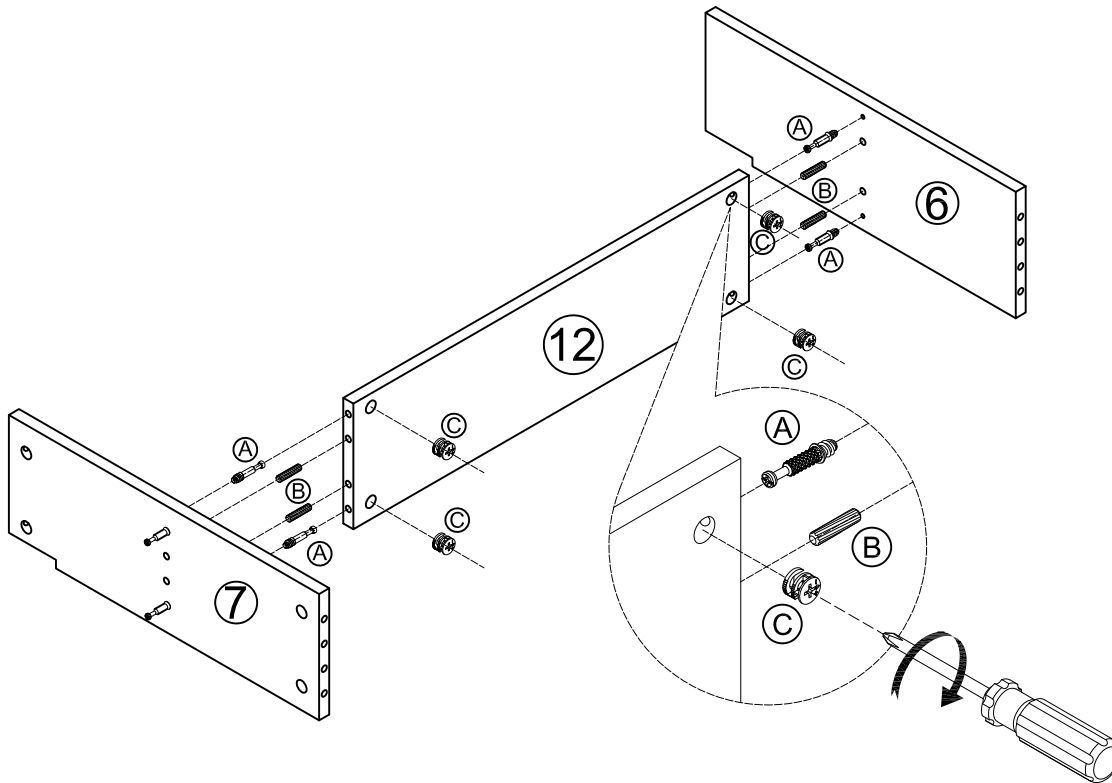
8pcs

(C)

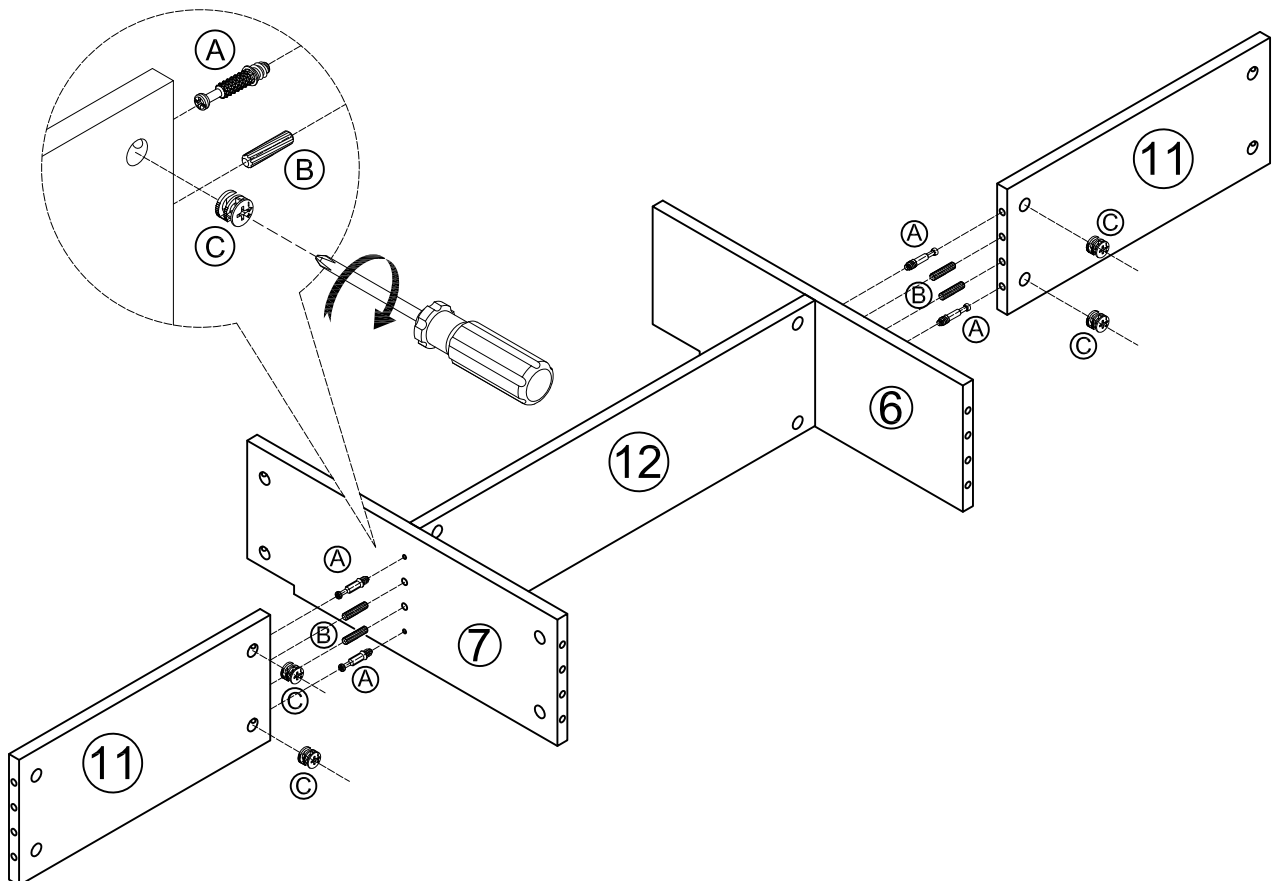


8pcs

-Screw (C) to lock (6、7) and (12) as below shown



-Screw (C) to lock (6、7) and (11) as below shown

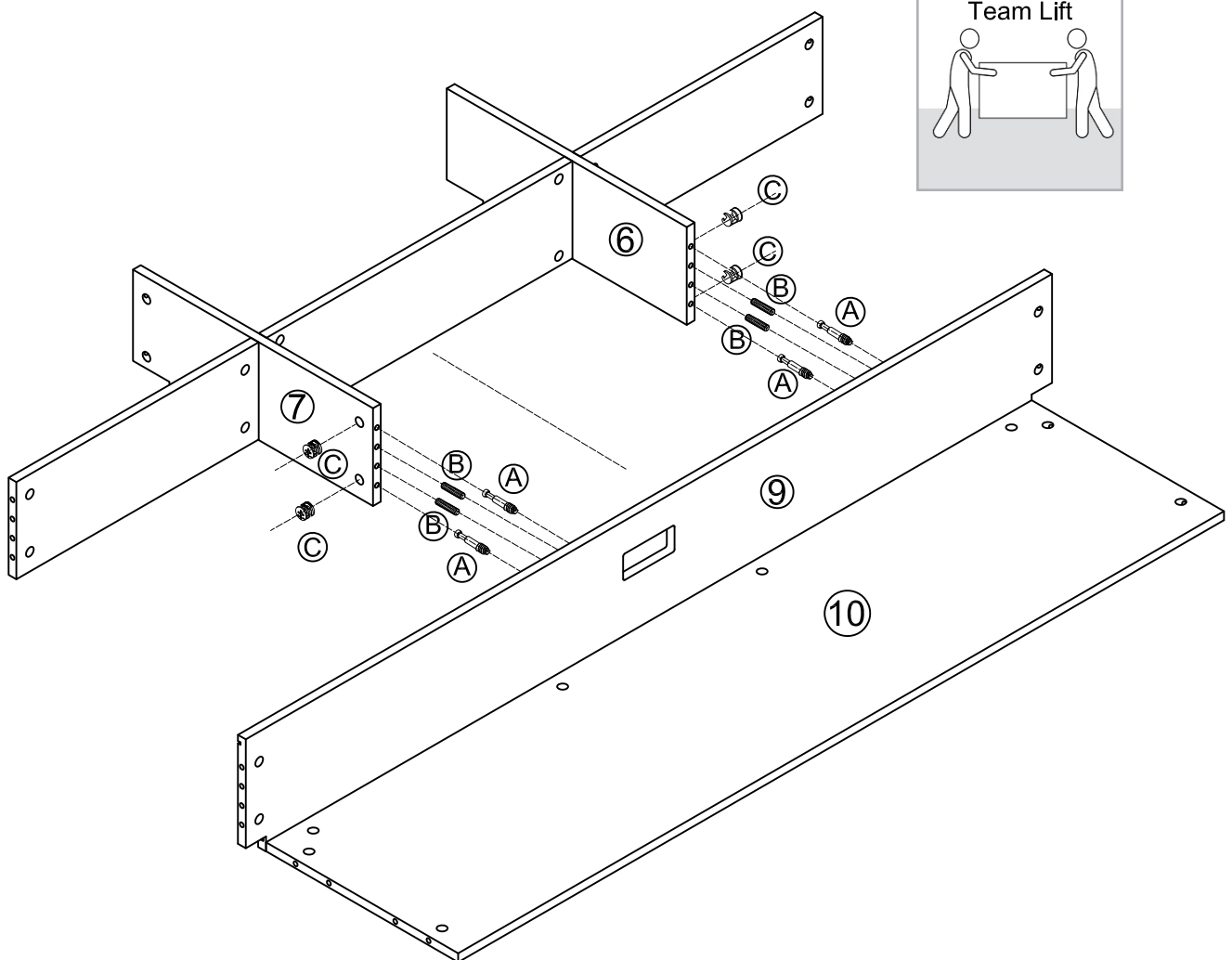


Step 5

Ⓑ 4pcs

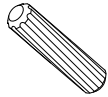
Ⓒ 4pcs

-Screw (C) to lock (9) and (6, 7) as below shown



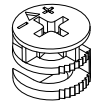
Step 6

(B)



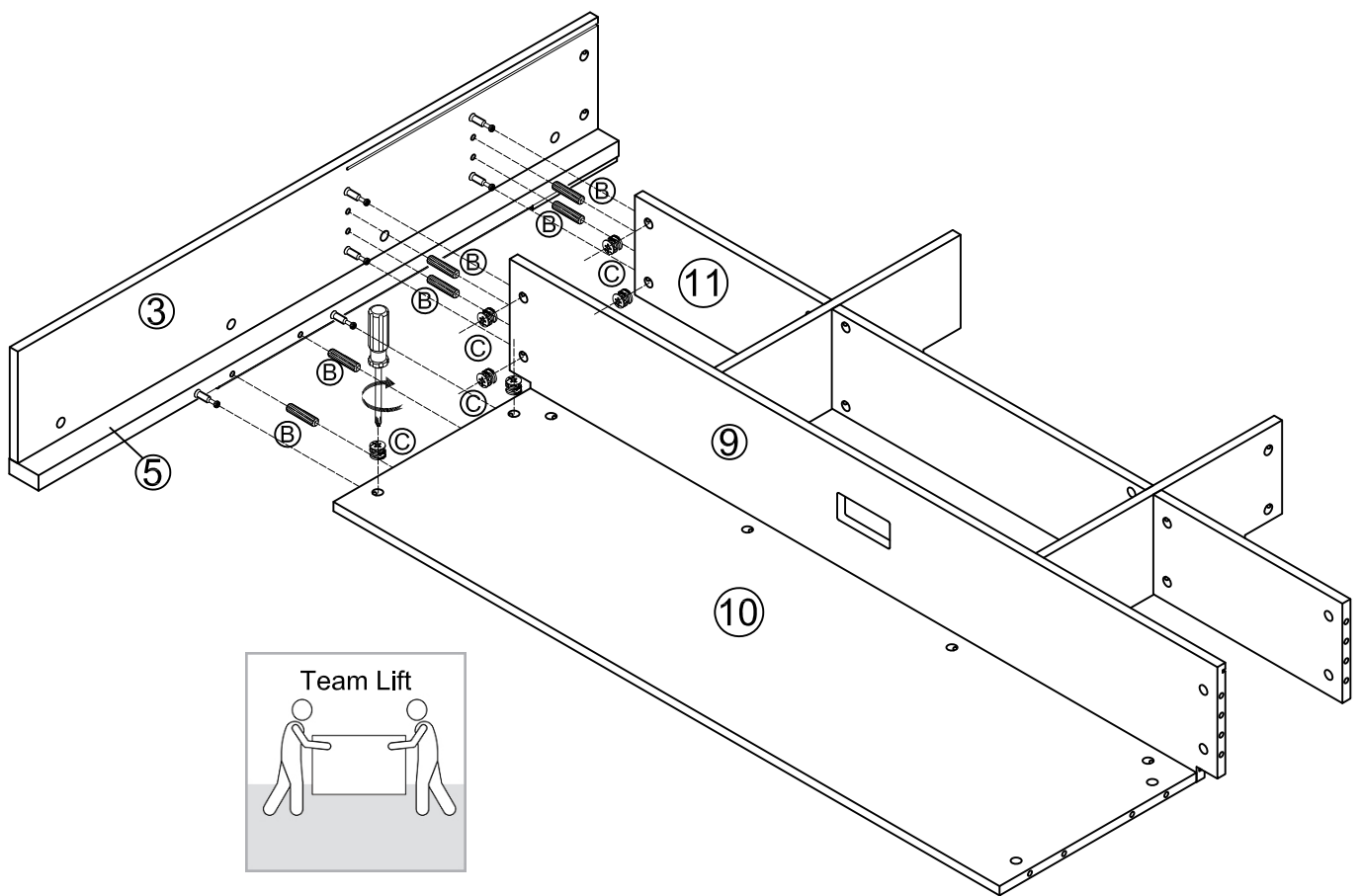
6pcs

(C)



6pcs

-Screw (C) to lock (3, 5) and (9, 10, 11) as below shown

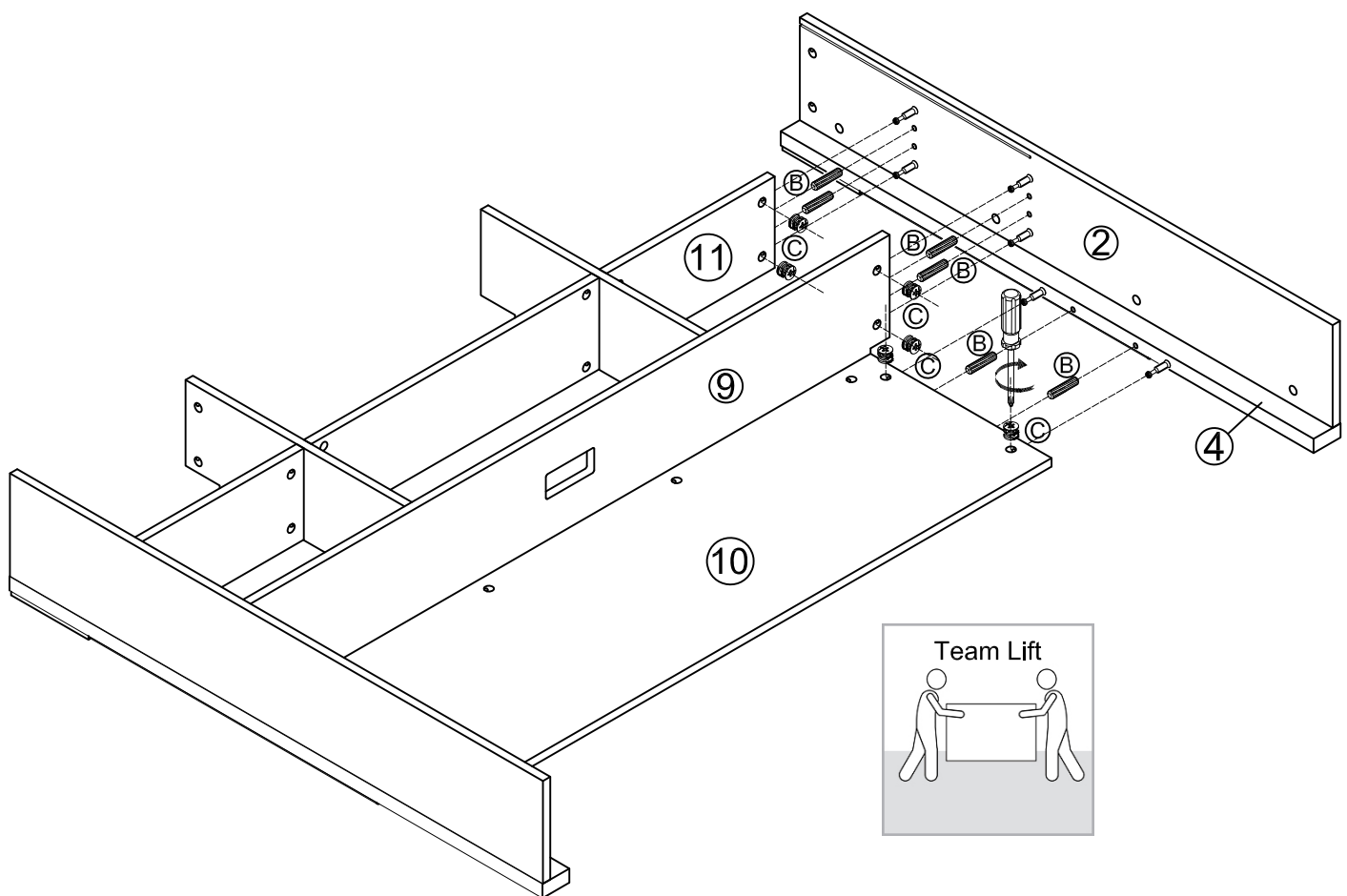


Step 7

Ⓑ 6pcs

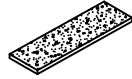
Ⓒ 6pcs

-Screw (C) to lock (2, 4) and (9, 10, 11) as below shown



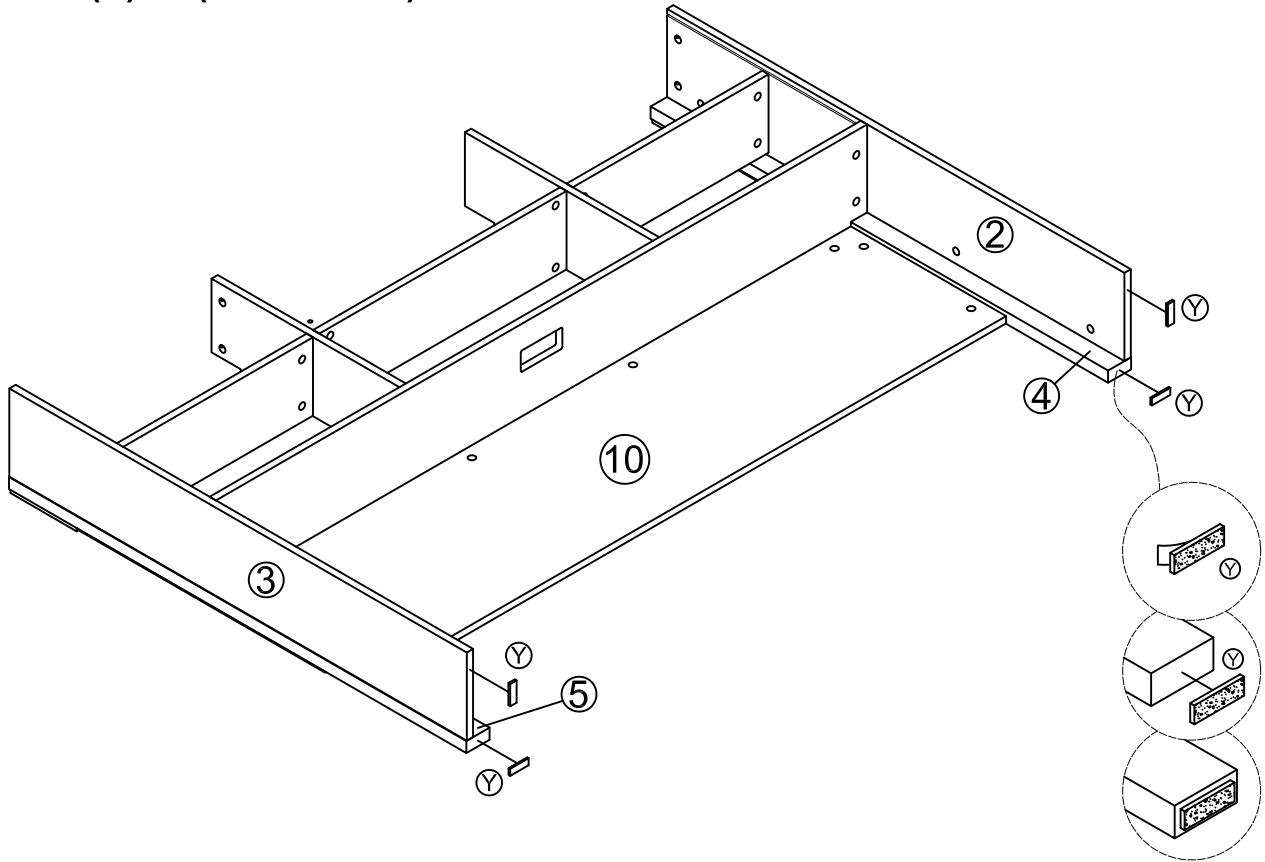
Step 8

Y

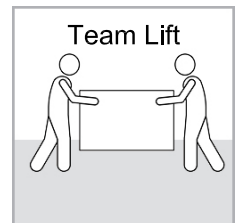
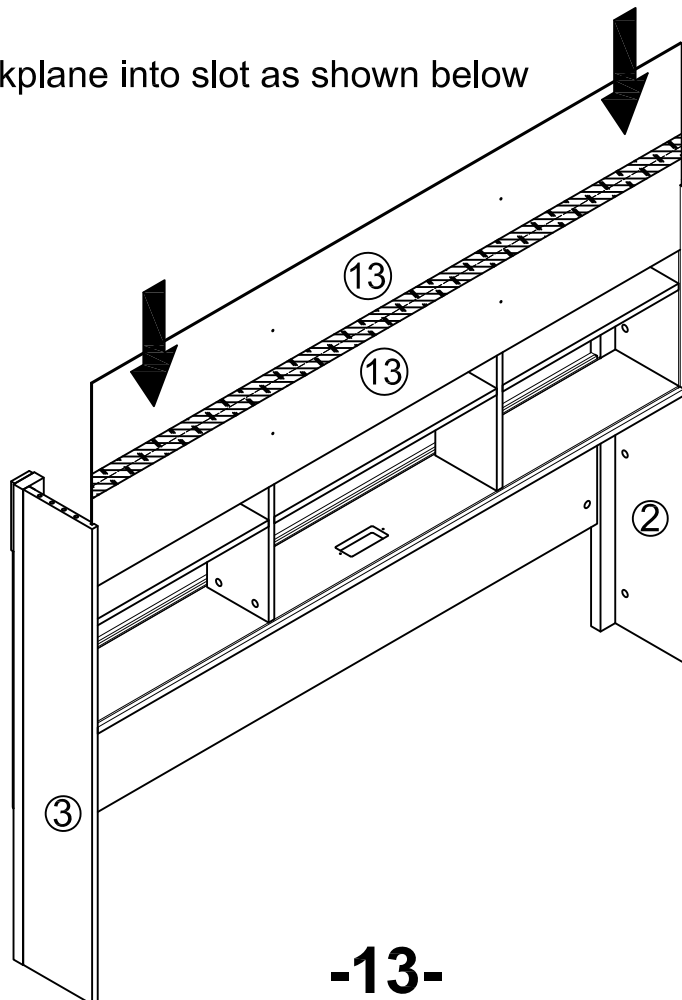


4pcs

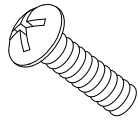
-Screw (Y) to (2、3、4、5) as below shown



- Insert (13) backplane into slot as shown below



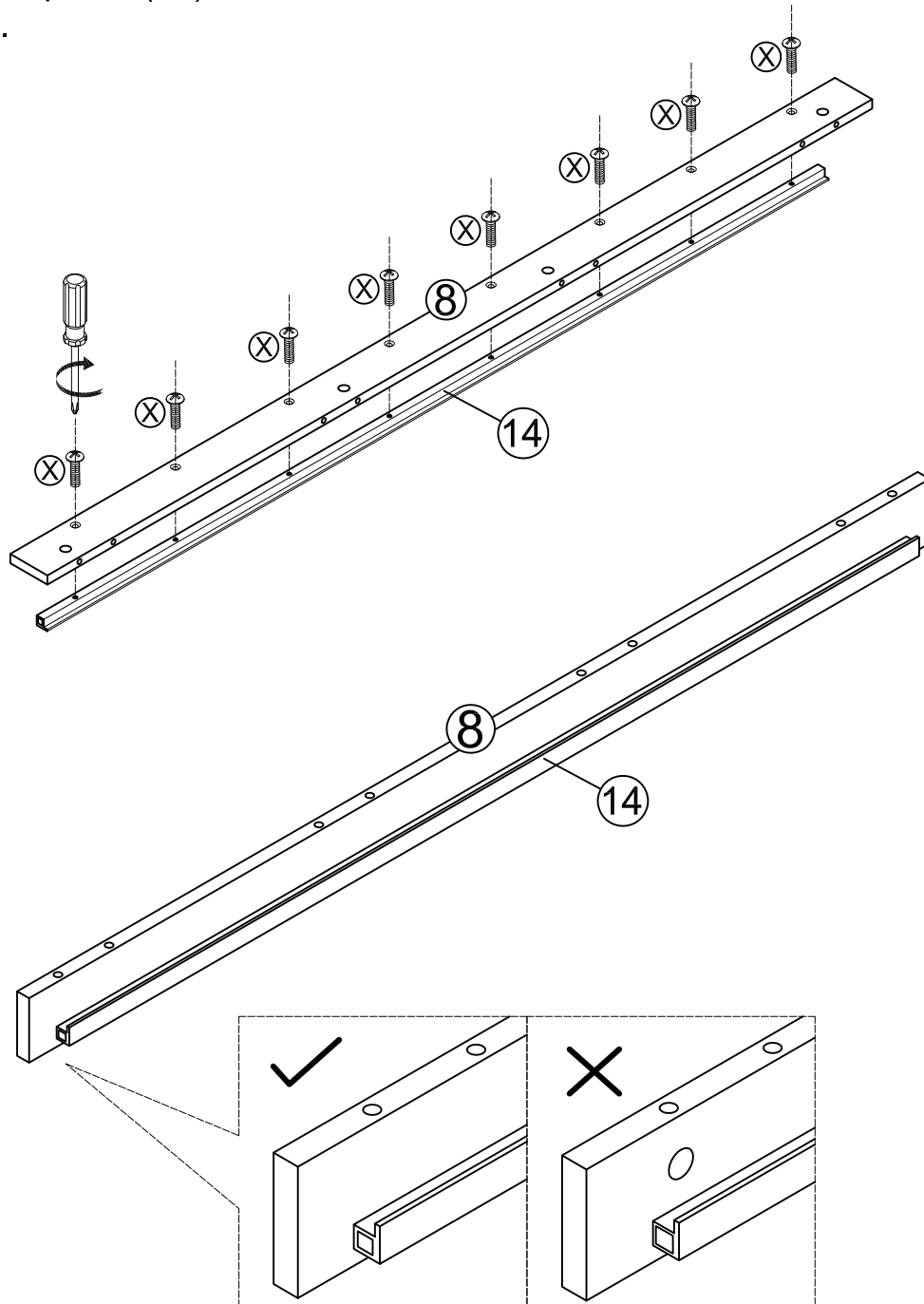
Step9



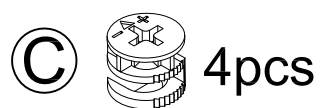
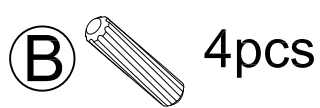
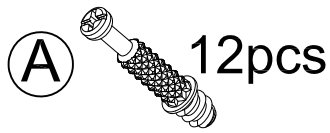
8pcs

-Screw (X)to attach (8) &(14) as below shown

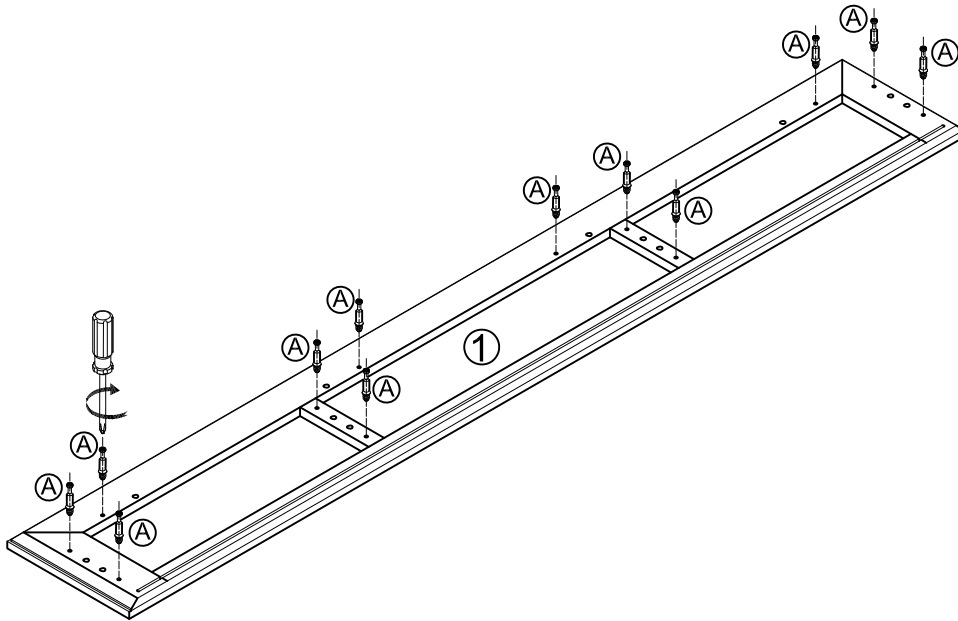
This end with the roller of the track on the panel (14) should be upside.



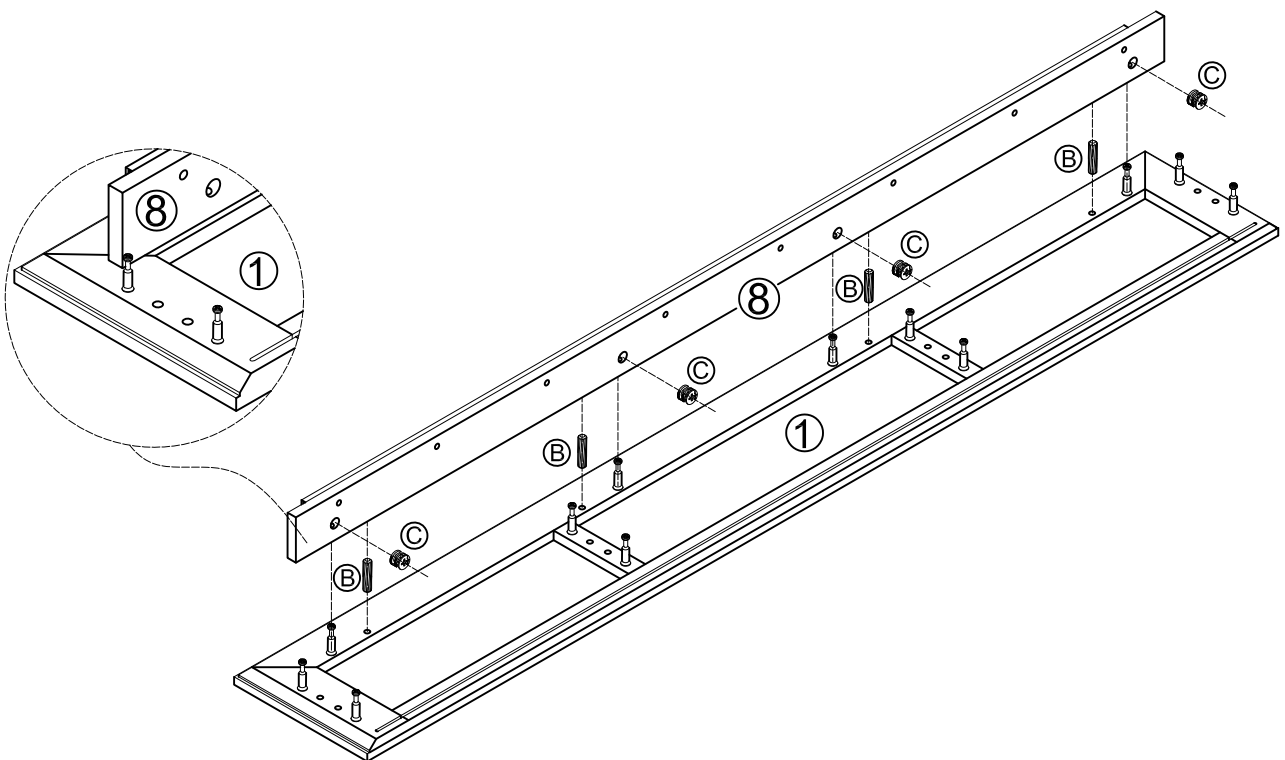
Step 10



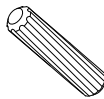
-Screw (A) to (1) as below shown

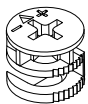


-Screw (C) to lock (1) and (8) as below shown

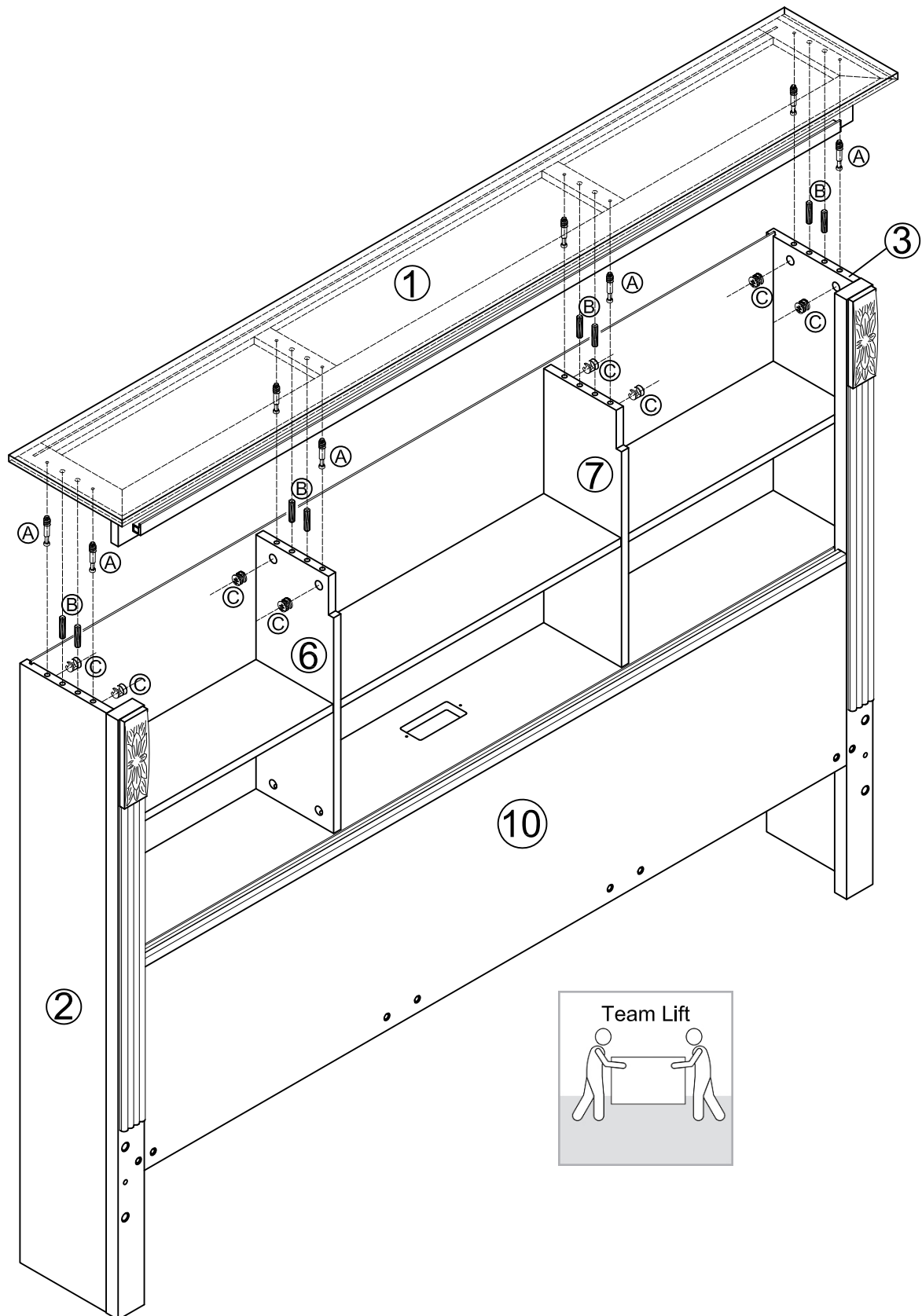


Step 11

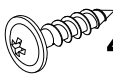
(B)  8pcs



(C)  8pcs

-Screw (C) to lock (1) and (2, 3, 6, 7) as below shown

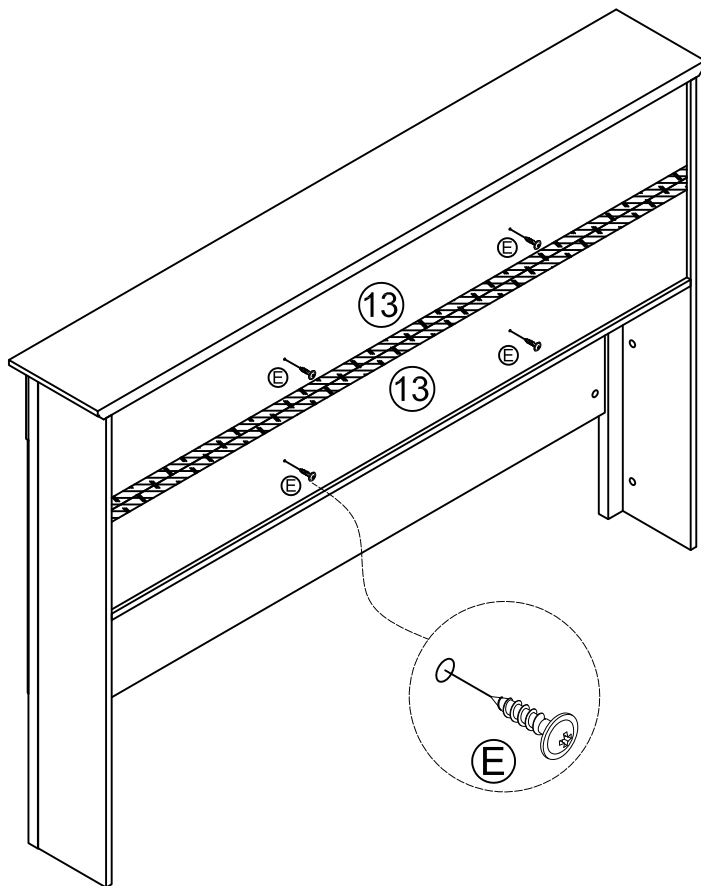


Step 12

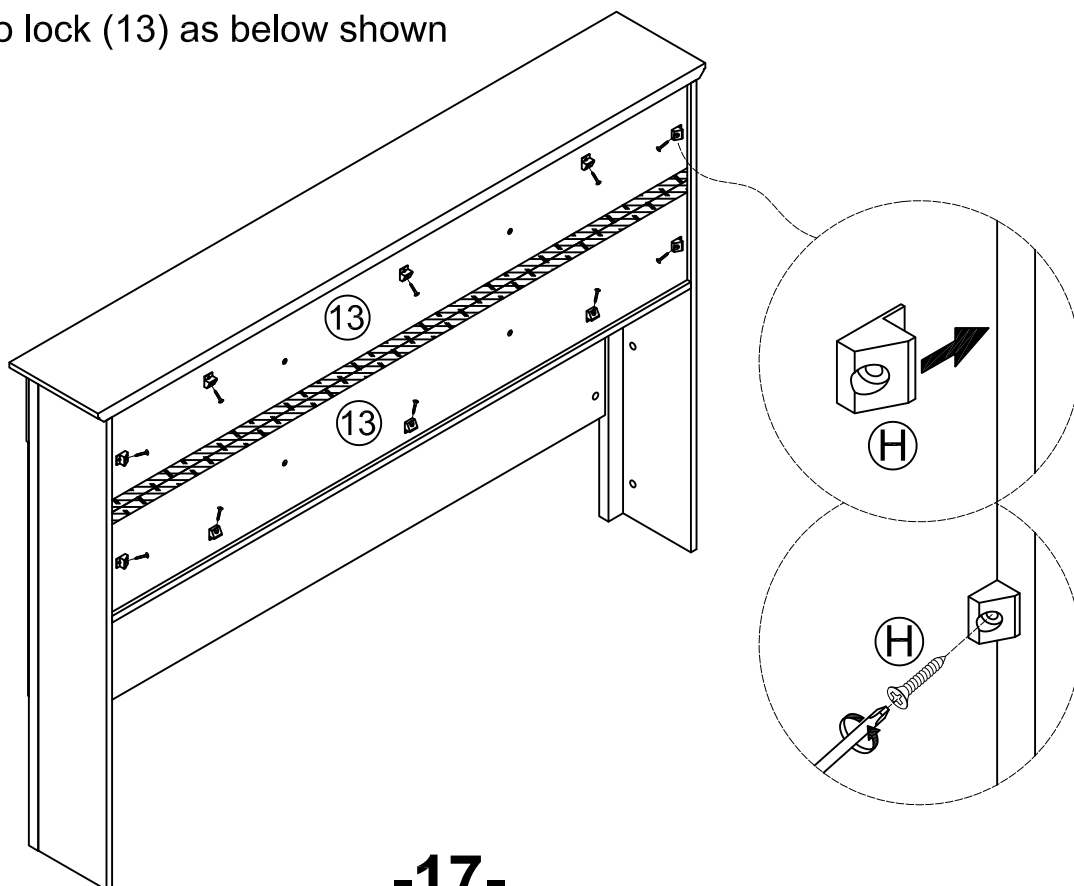
(E)  4pcs

(H)   10pcs

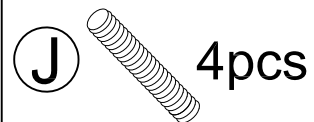
-Screw (E) to lock (13) as below shown



-Screw (H) to lock (13) as below shown

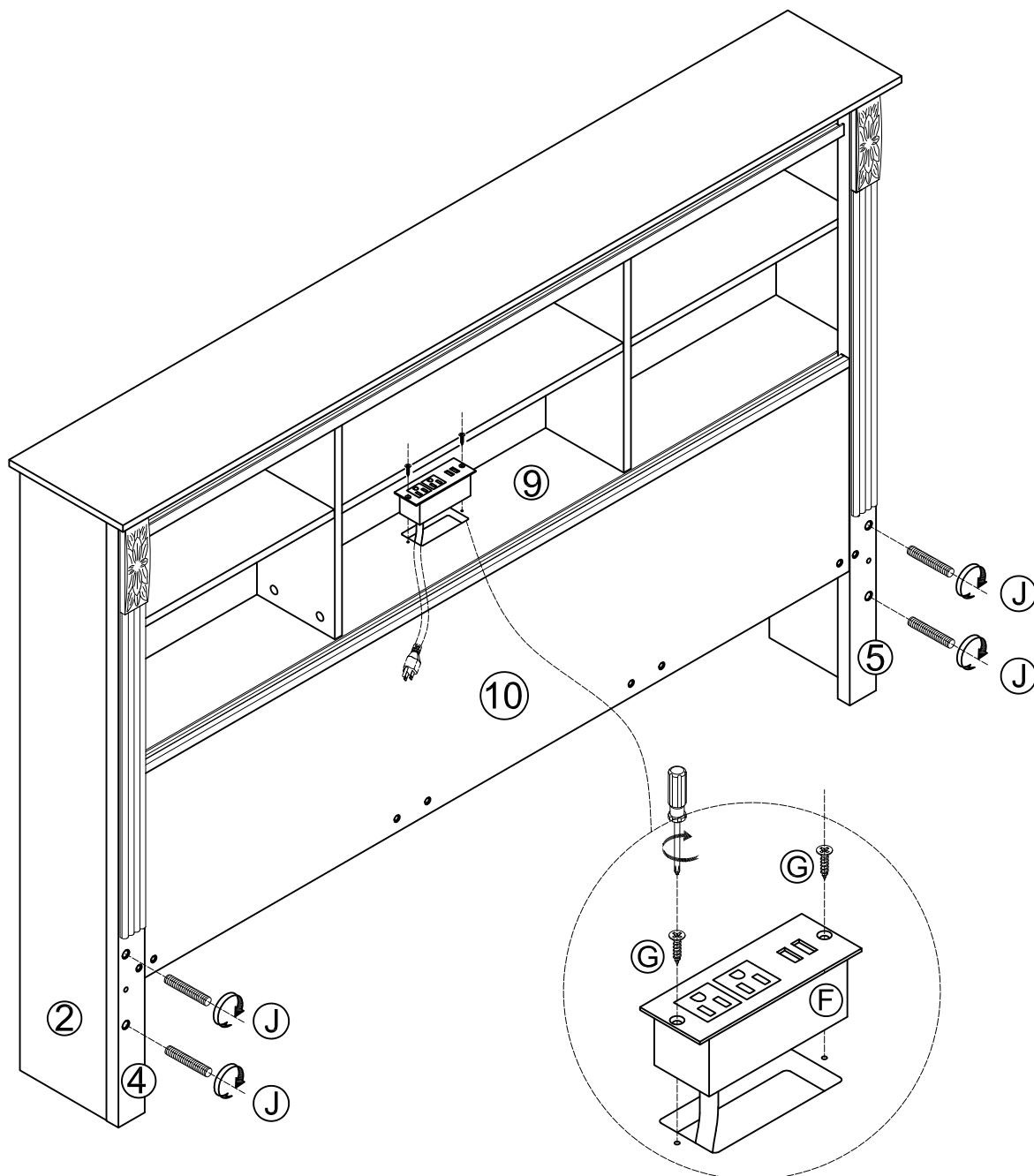


Step 13



-Screw (J) to (4, 5) as below shown

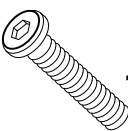
-Screw (G) to lock (F) and (9) as below shown

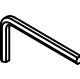


Step 14

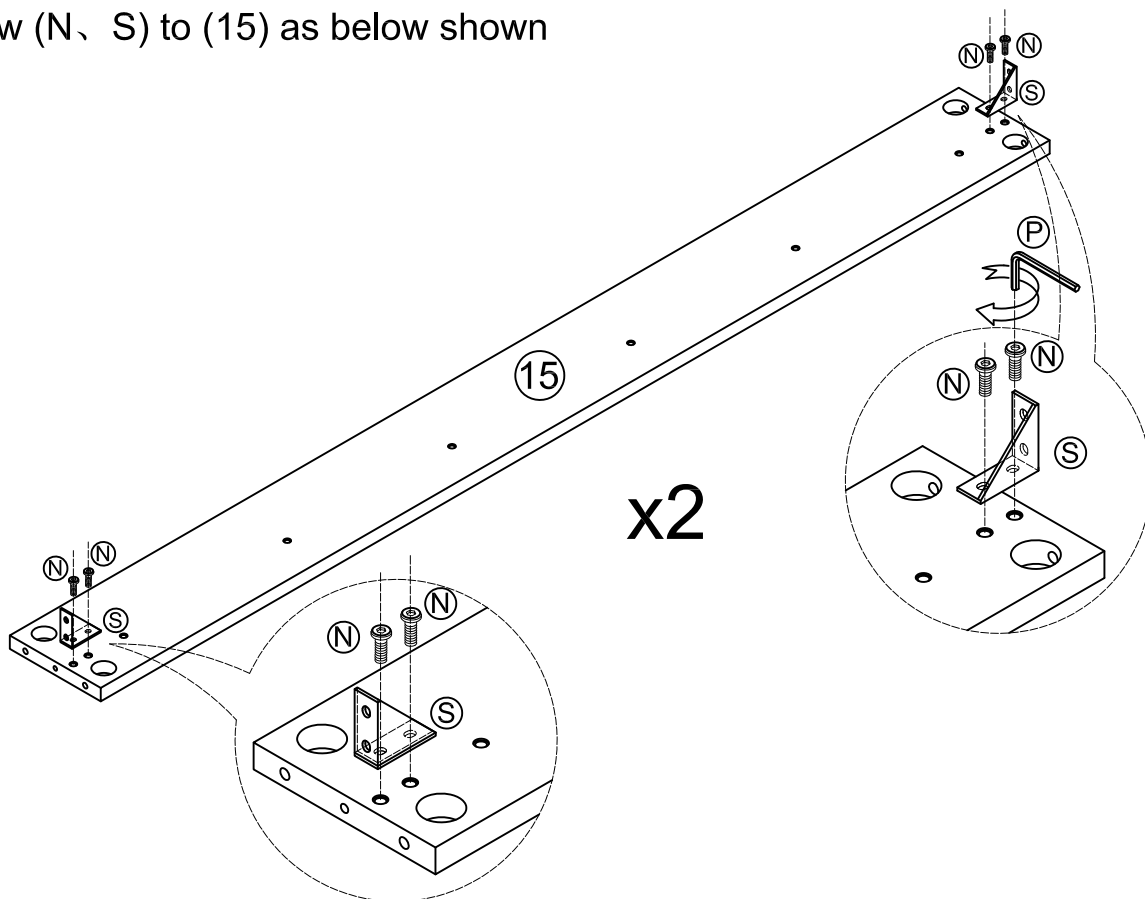
(N)  8pcs

(S)  4pcs

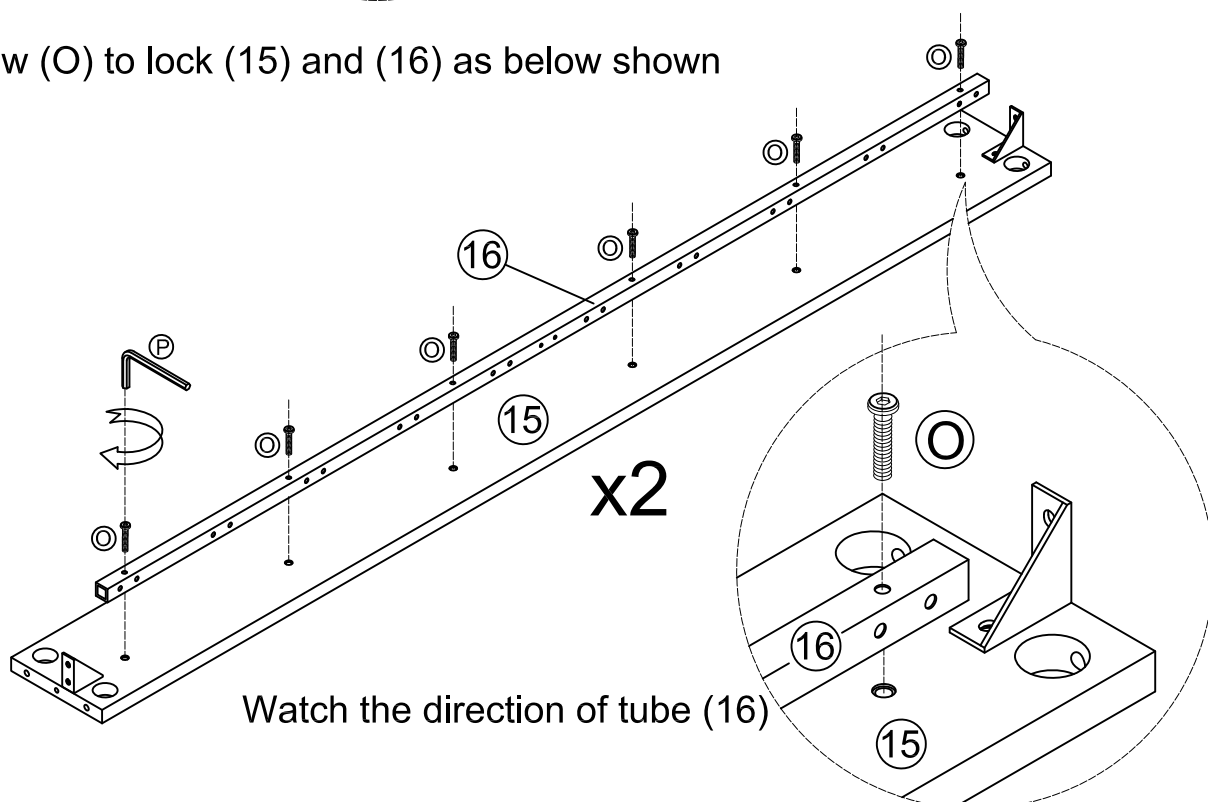
(O)  12pcs

(P)  1pc

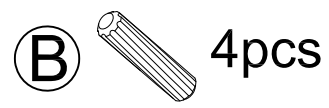
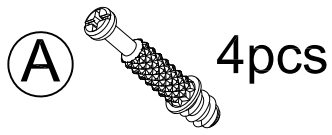
-Screw (N、S) to (15) as below shown



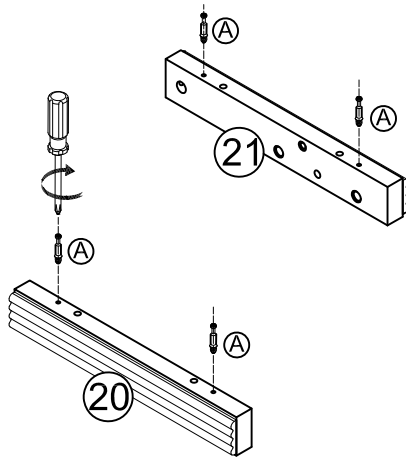
-Screw (O) to lock (15) and (16) as below shown



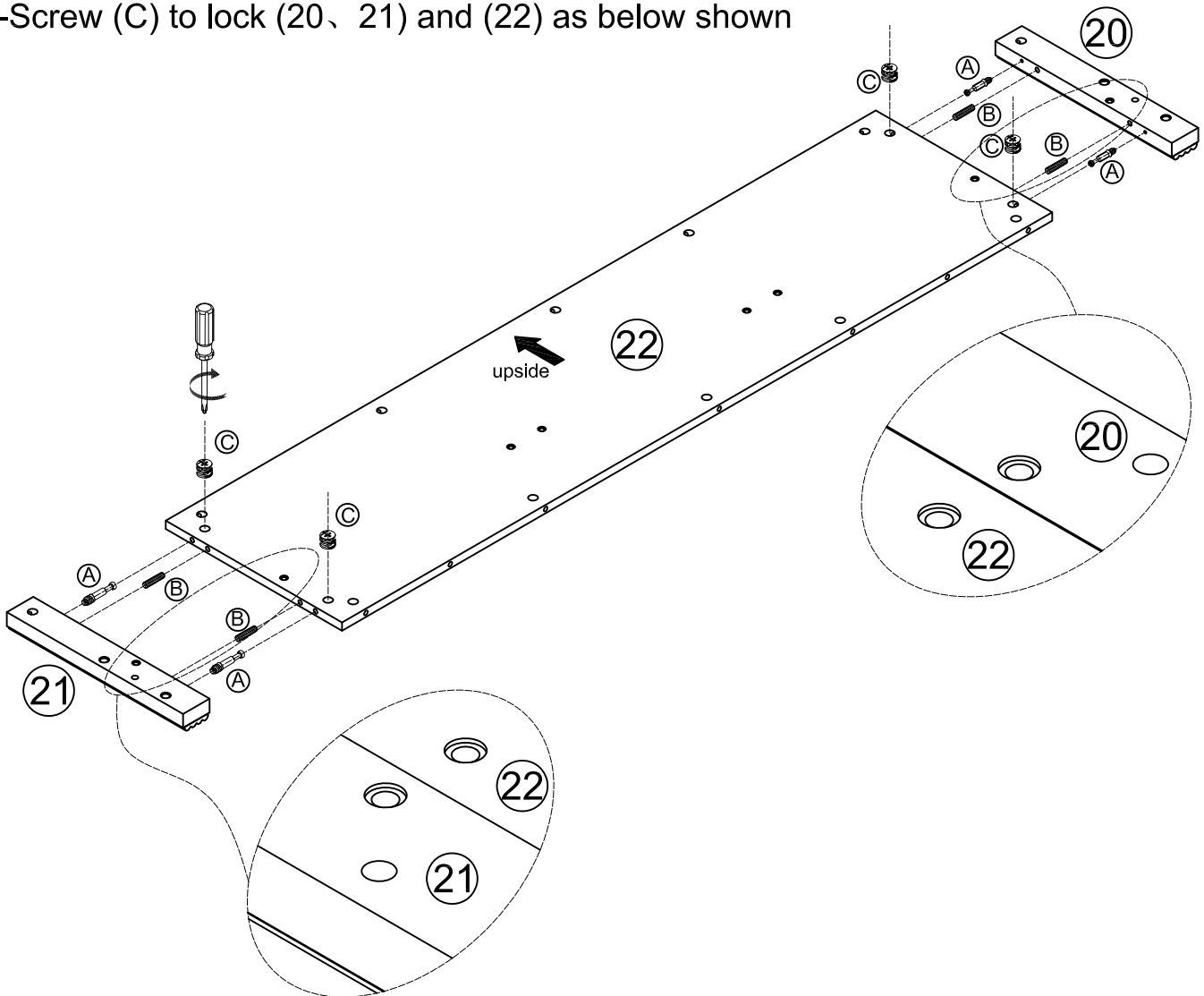
Step 15



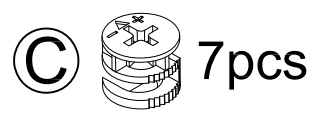
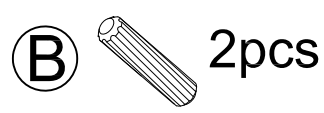
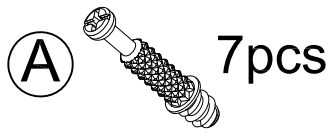
-Screw (A) to (20、 21) as below shown



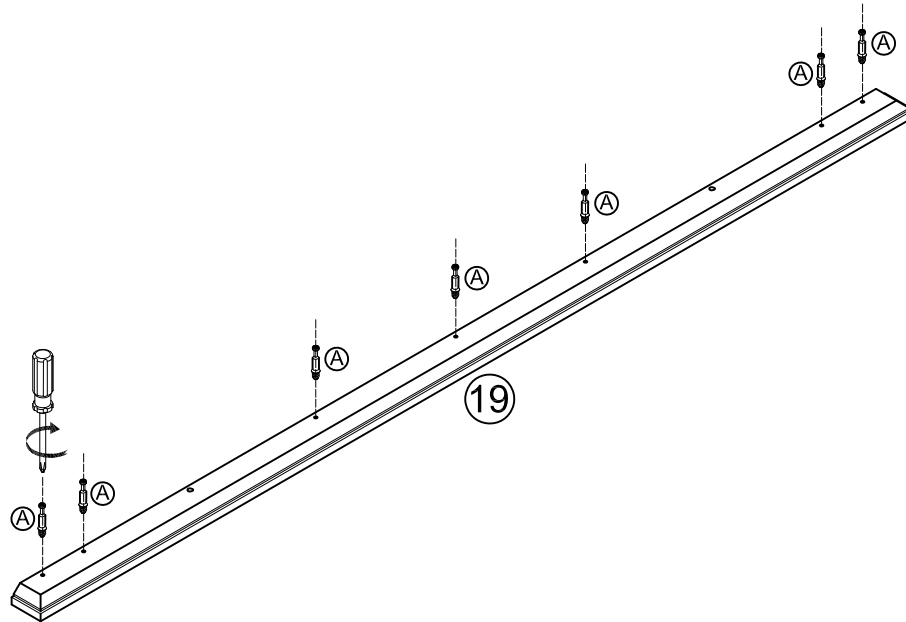
-Screw (C) to lock (20、 21) and (22) as below shown



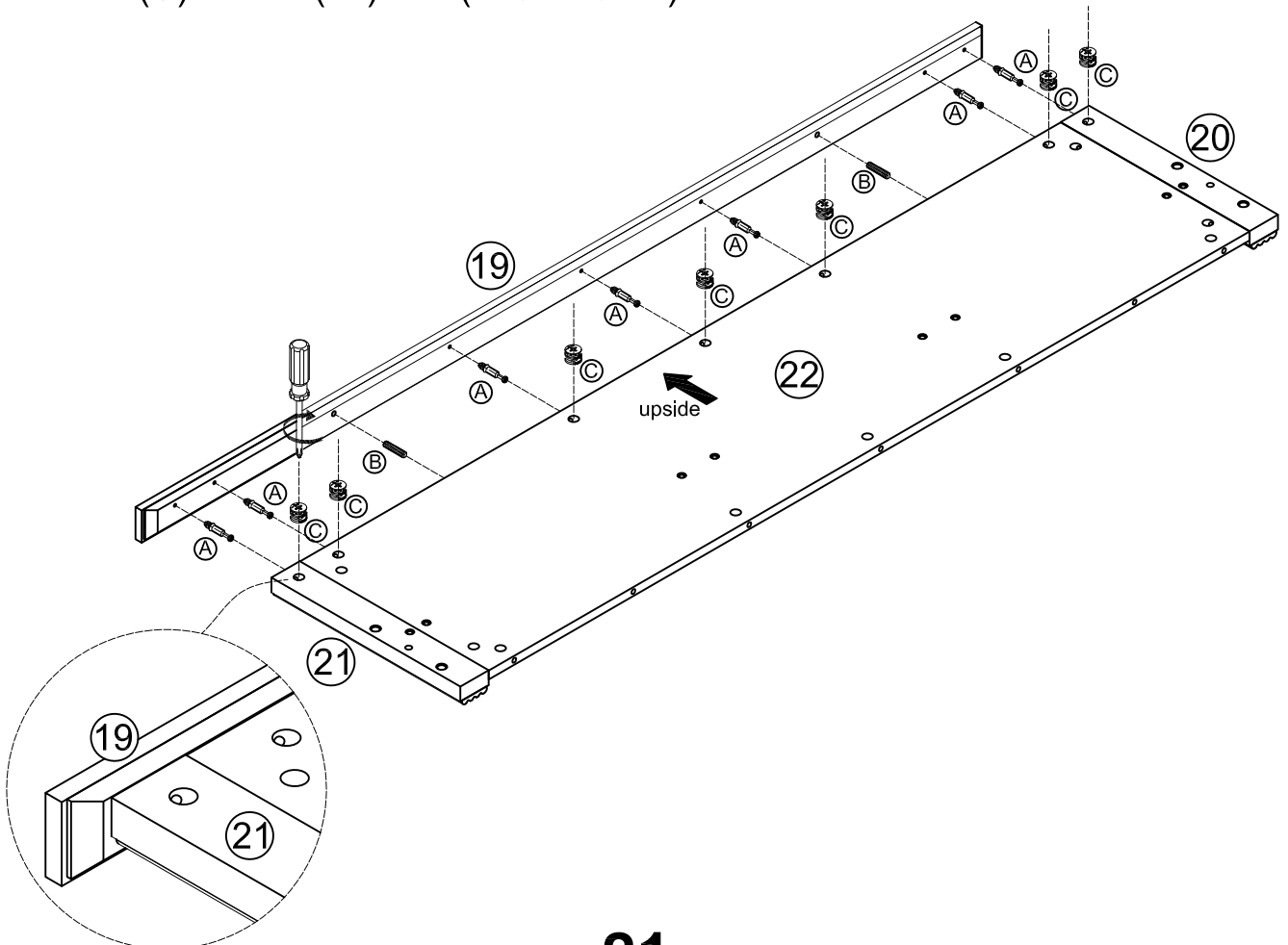
Step 16



-Screw (A) to (19) as below shown

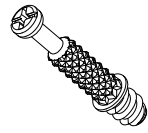


-Screw (C) to lock (19) and (20, 21, 22) as below shown



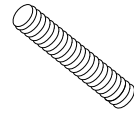
Step 17

(A)



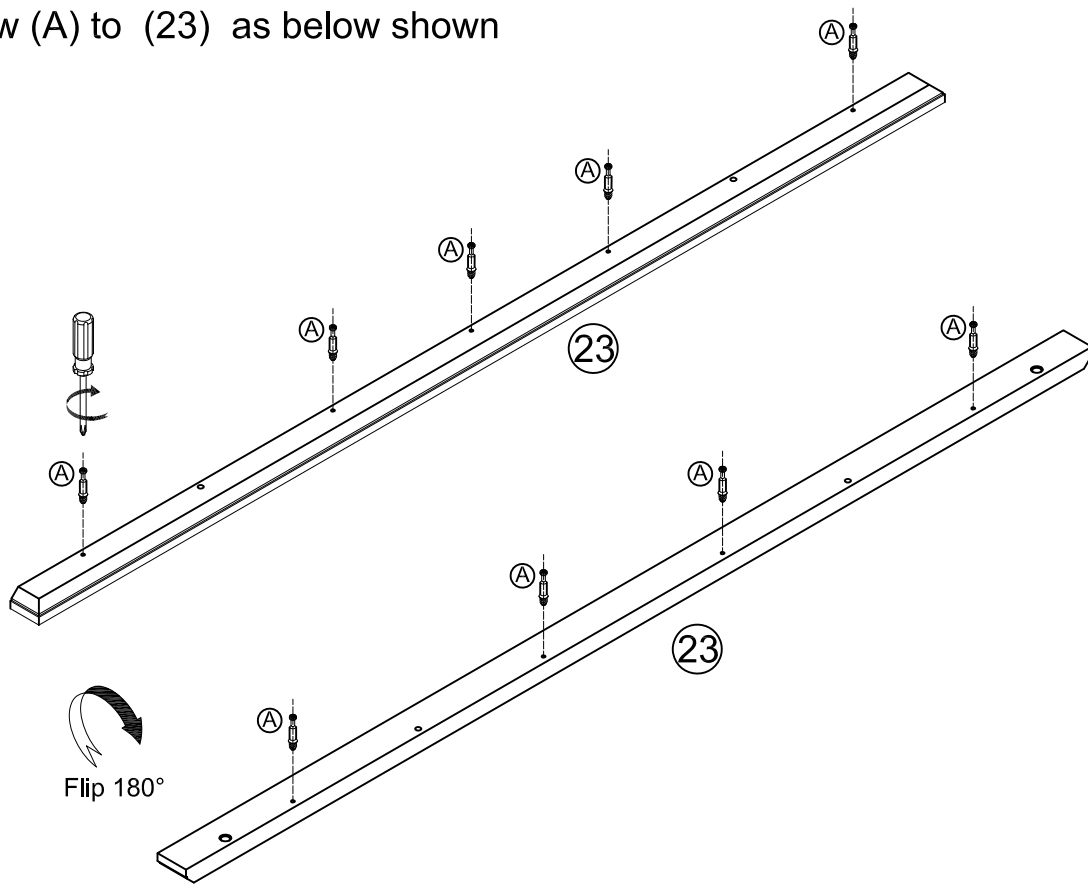
9pcs

(J)

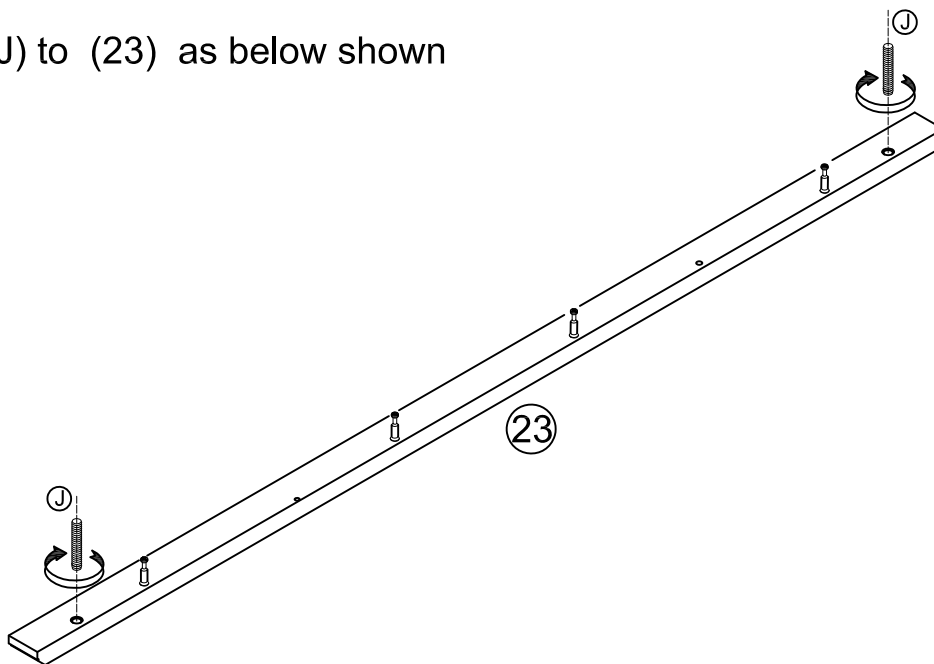


2pcs

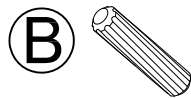
-Screw (A) to (23) as below shown



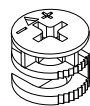
-Screw (J) to (23) as below shown



Step 18



2pcs



4pcs



2pcs

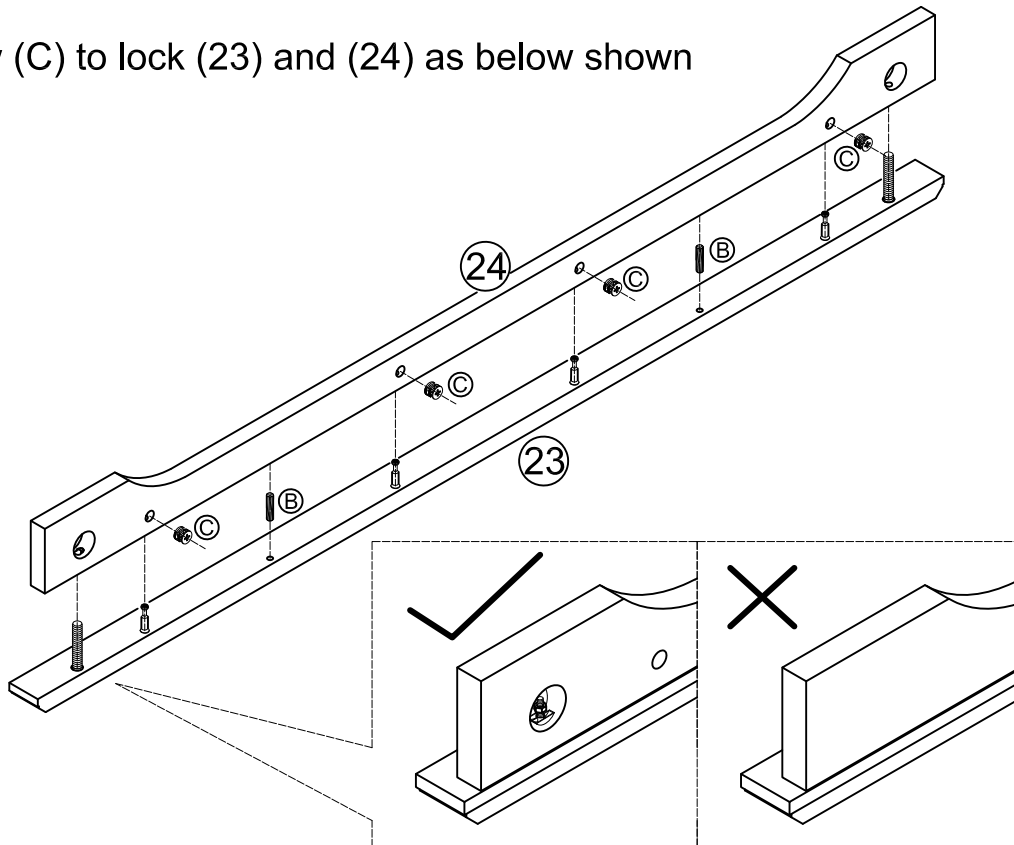


2pcs

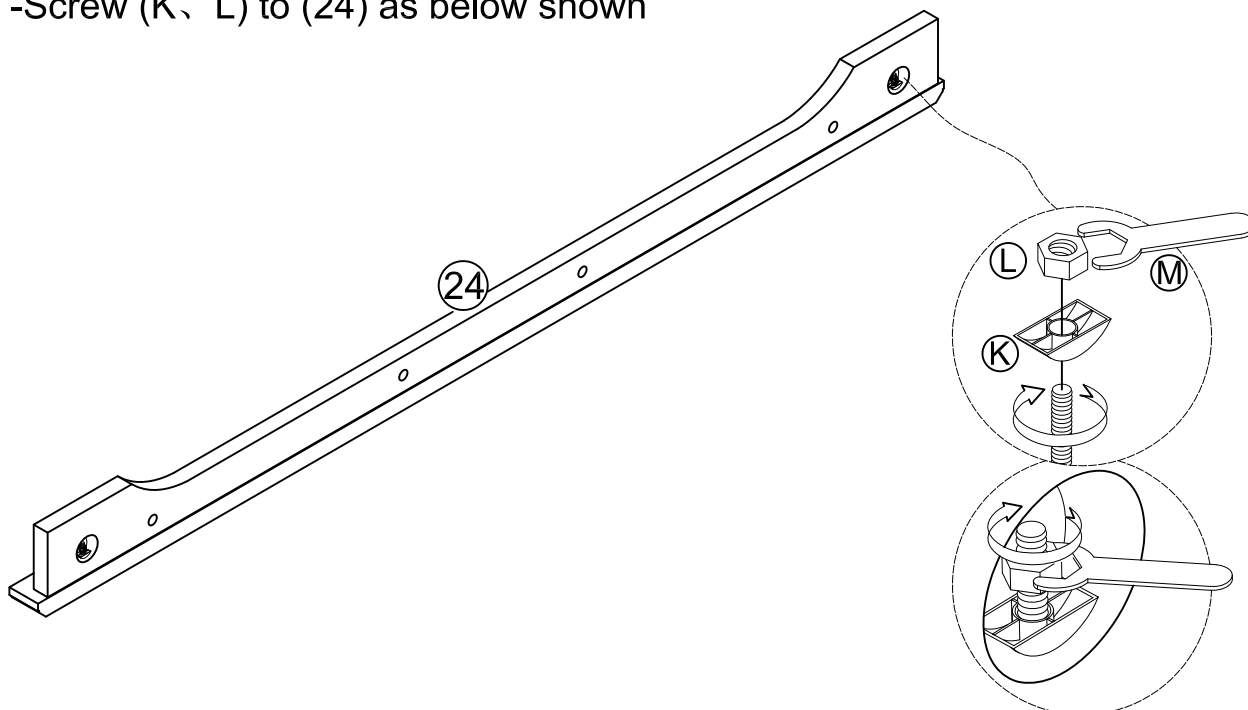


1pc

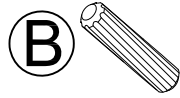
-Screw (C) to lock (23) and (24) as below shown



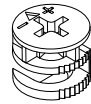
-Screw (K, L) to (24) as below shown



Step 19



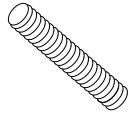
2pcs



5pcs



2pcs

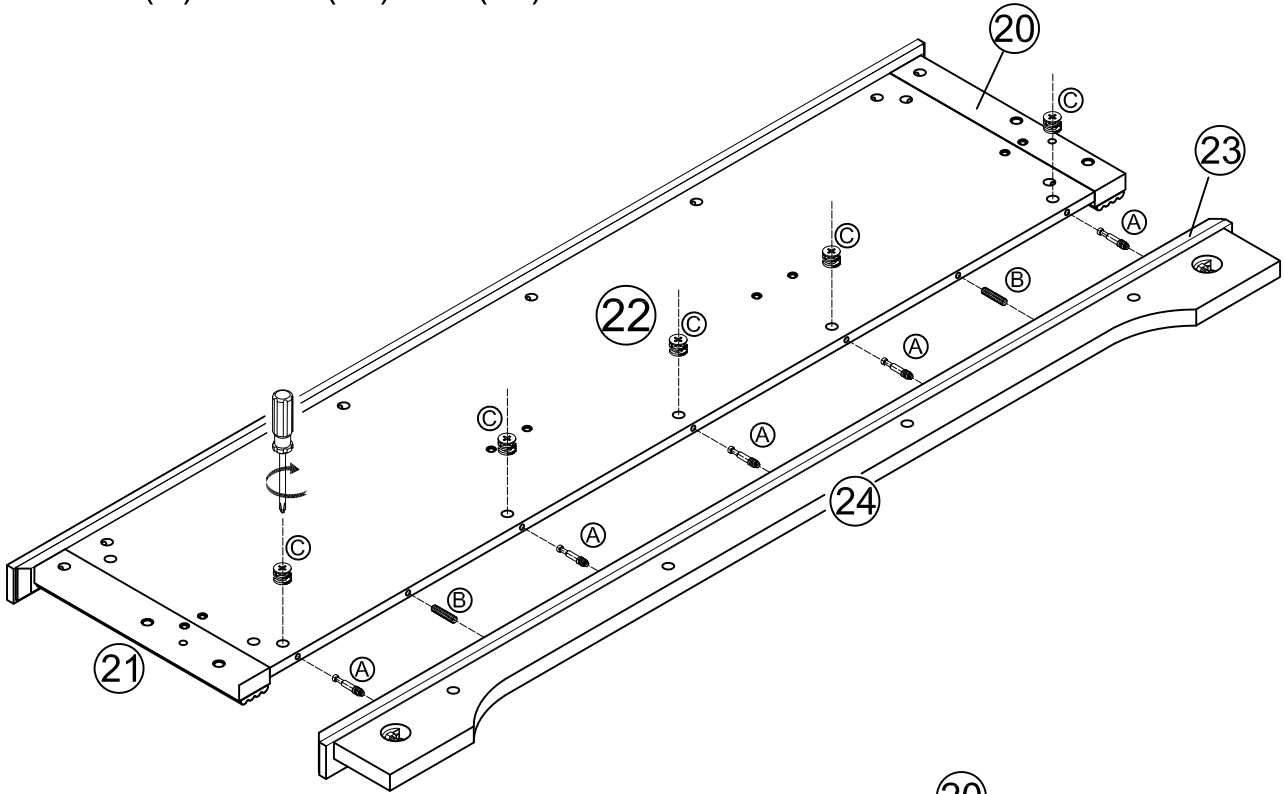


4pcs



2pcs

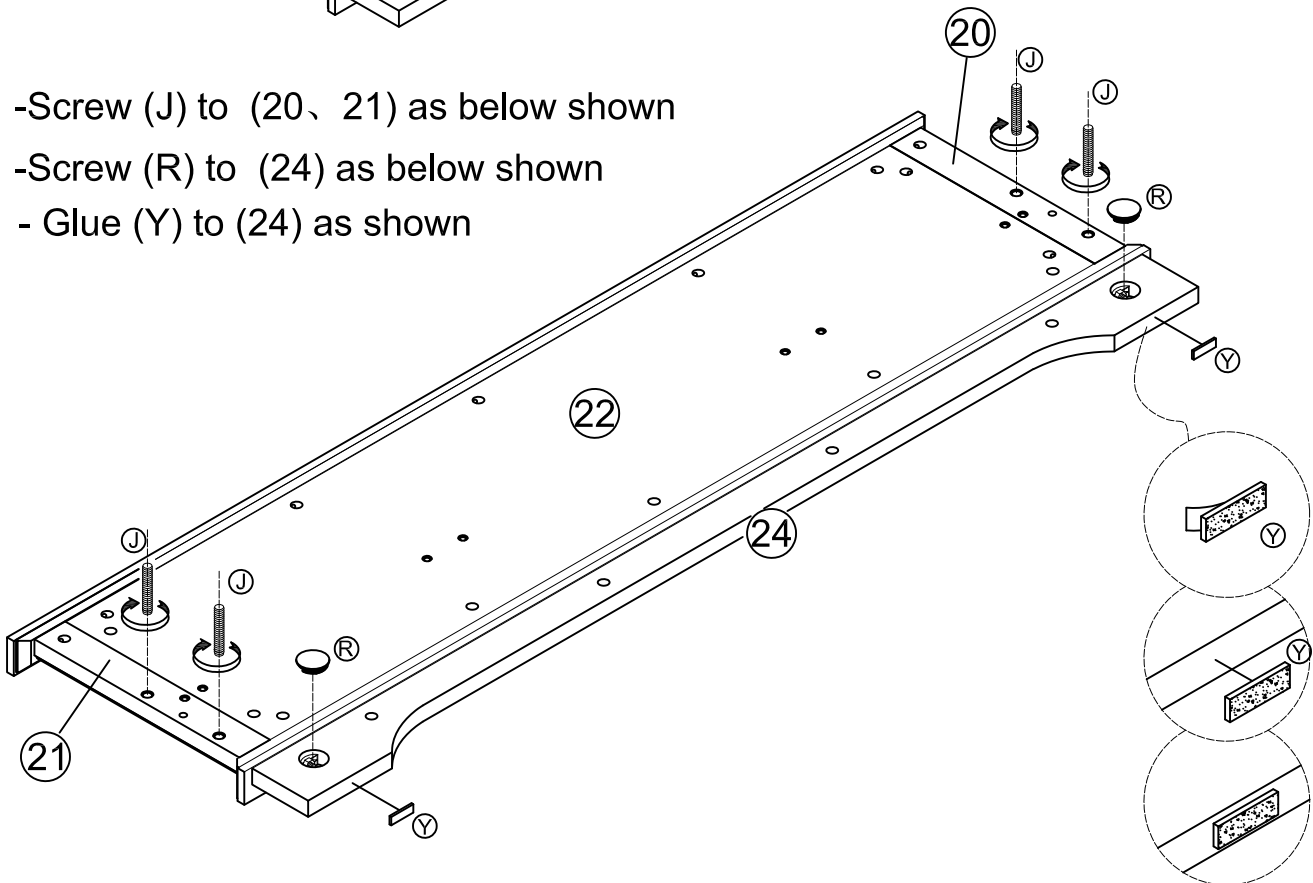
-Screw (C) to lock (23) and (22) as below shown




-Screw (J) to (20、21) as below shown

-Screw (R) to (24) as below shown

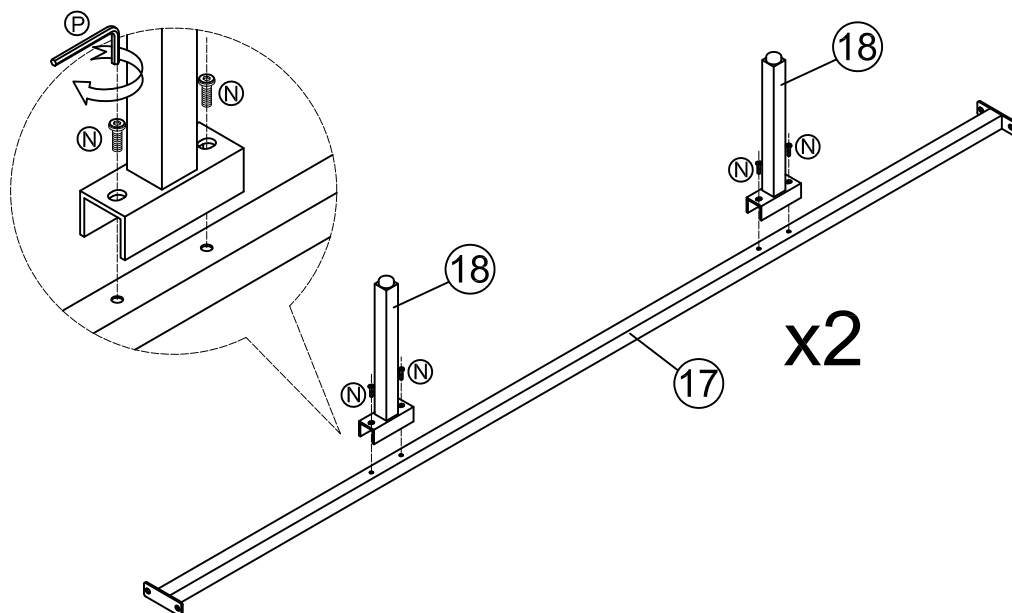
- Glue (Y) to (24) as shown



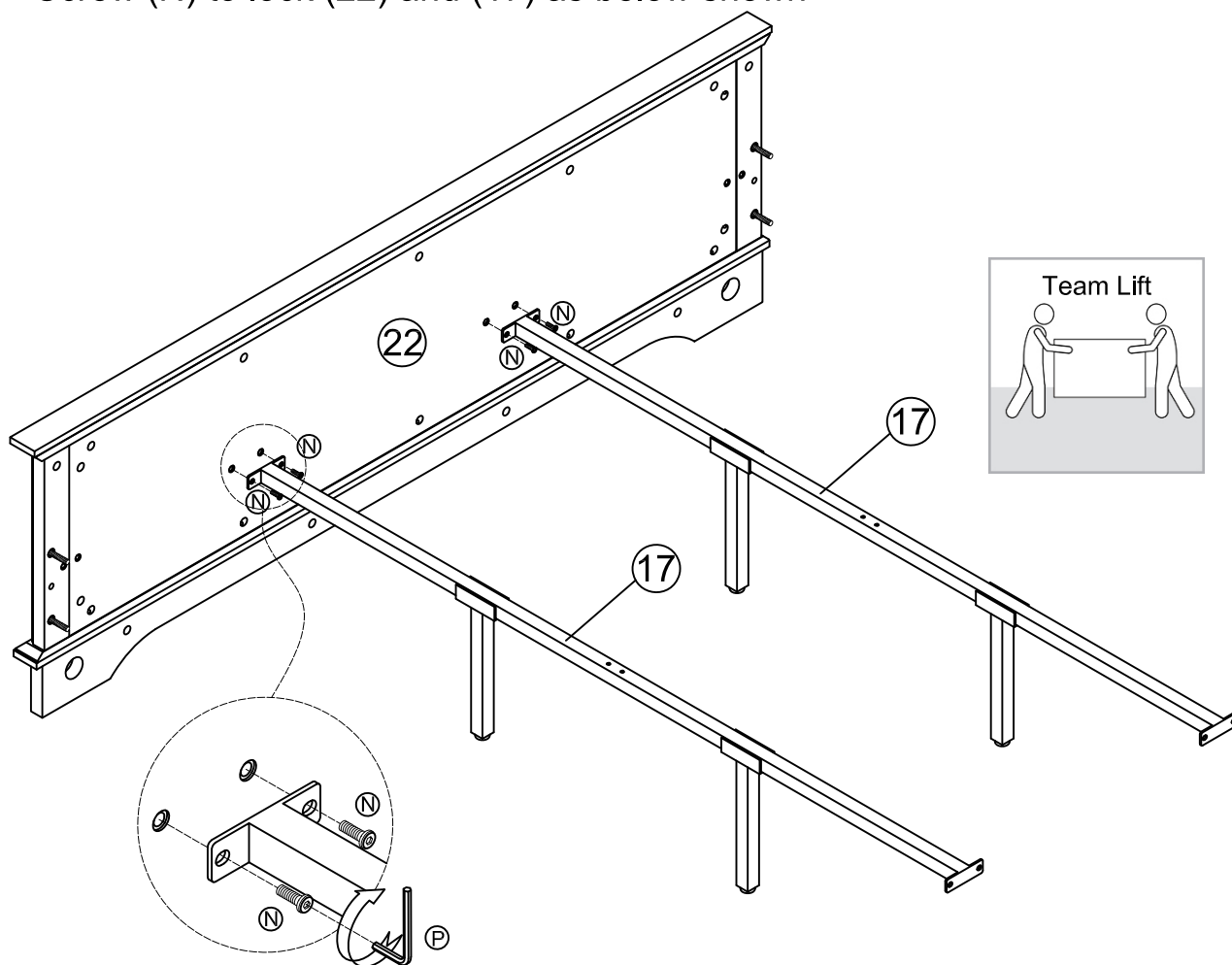
Step 20

(N)  12pcs

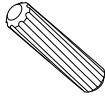
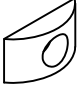


-Screw (N) to lock (17) and (18) as below shown



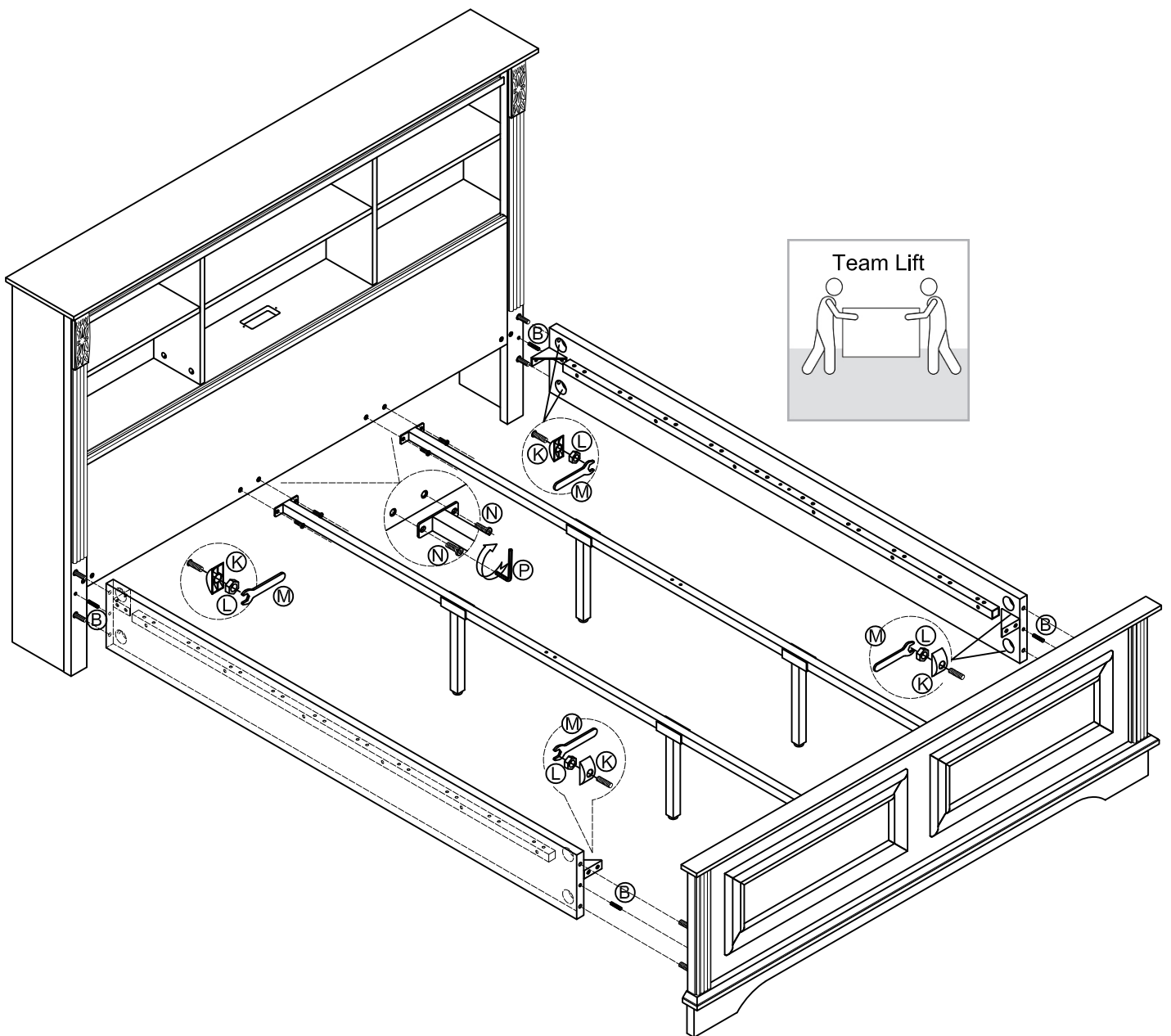
-Screw (N) to lock (22) and (17) as below shown



Step 21

 B 4pcs	 K 8pcs	 L 8pcs
 N 4pcs		

- Lock (N) to the corresponding position as shown below
- Lock (K, L) to the corresponding position as shown below

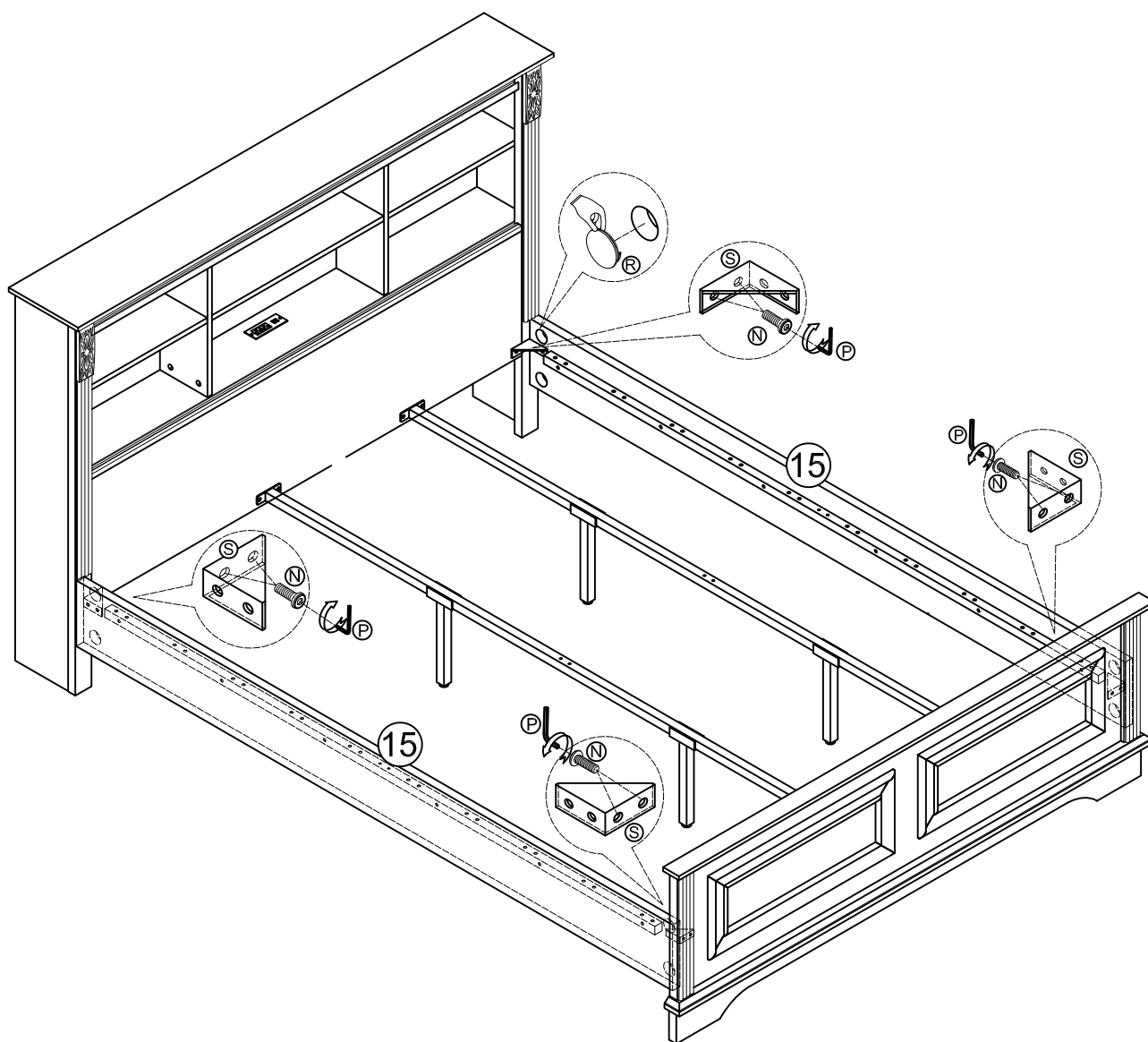


Step 22

(N)  8pcs

(R)  8pcs

- Screw (R) to (15) as below shown
- Lock (N) to the corresponding position as shown below



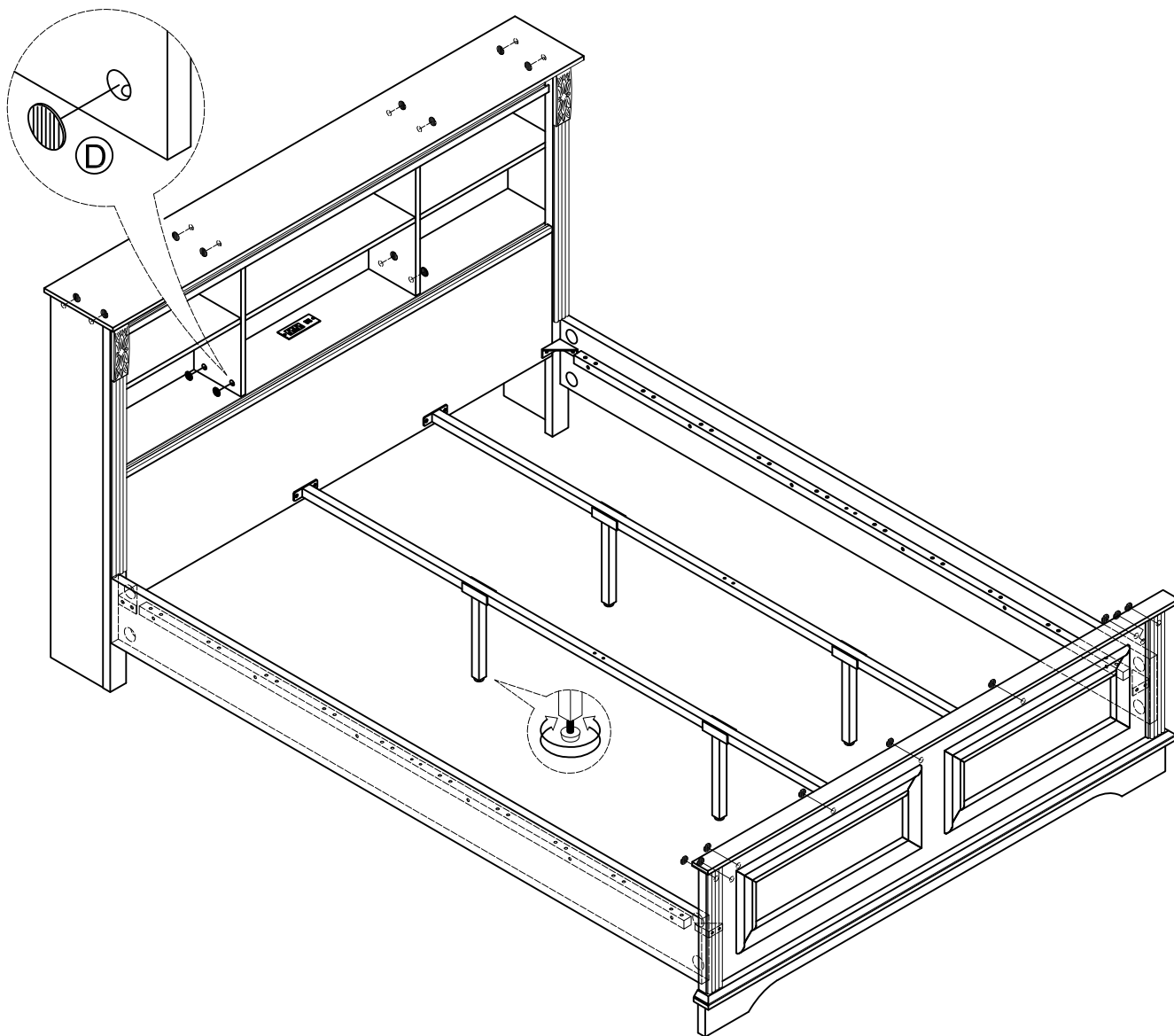
Step 23

(D)  36pcs

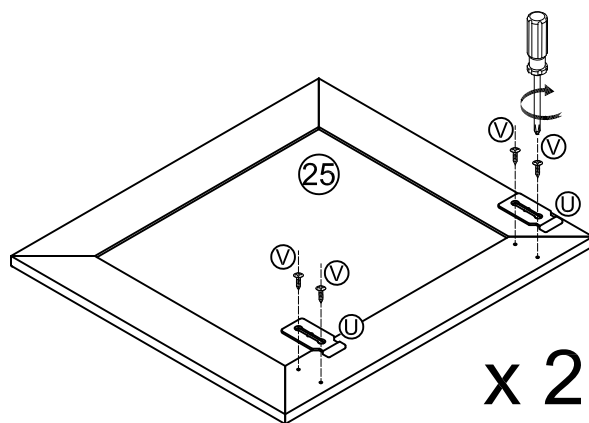
(U)  4pcs

(V)  8pcs

- Glue (D) to the corresponding position as shown

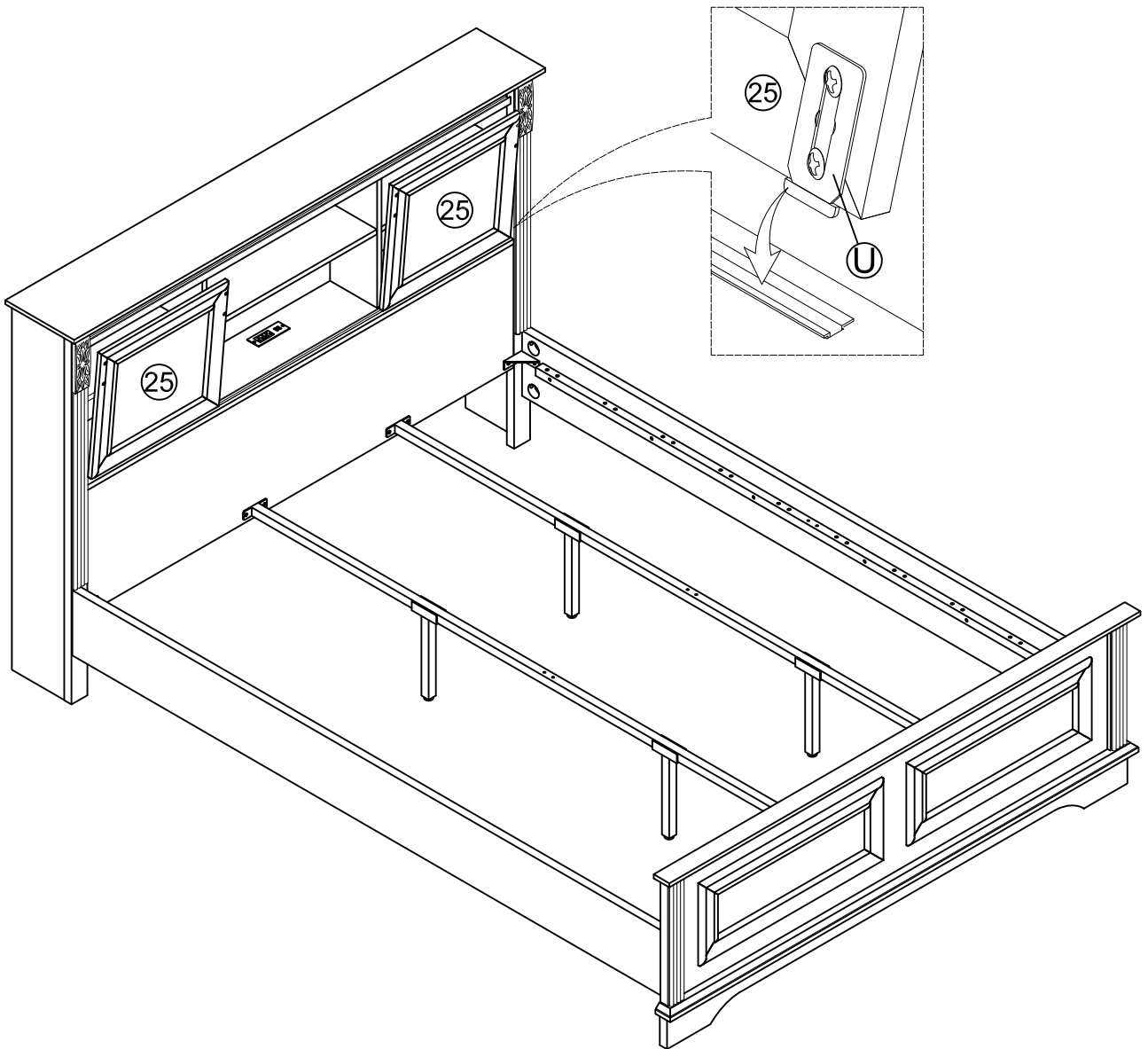


- Screw (V、U) to (25) as below shown



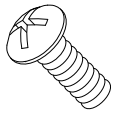
Step 24-1

- Insert the (25) door panel into the door slot, as shown below



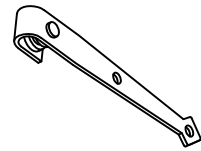
Step 24-2

W



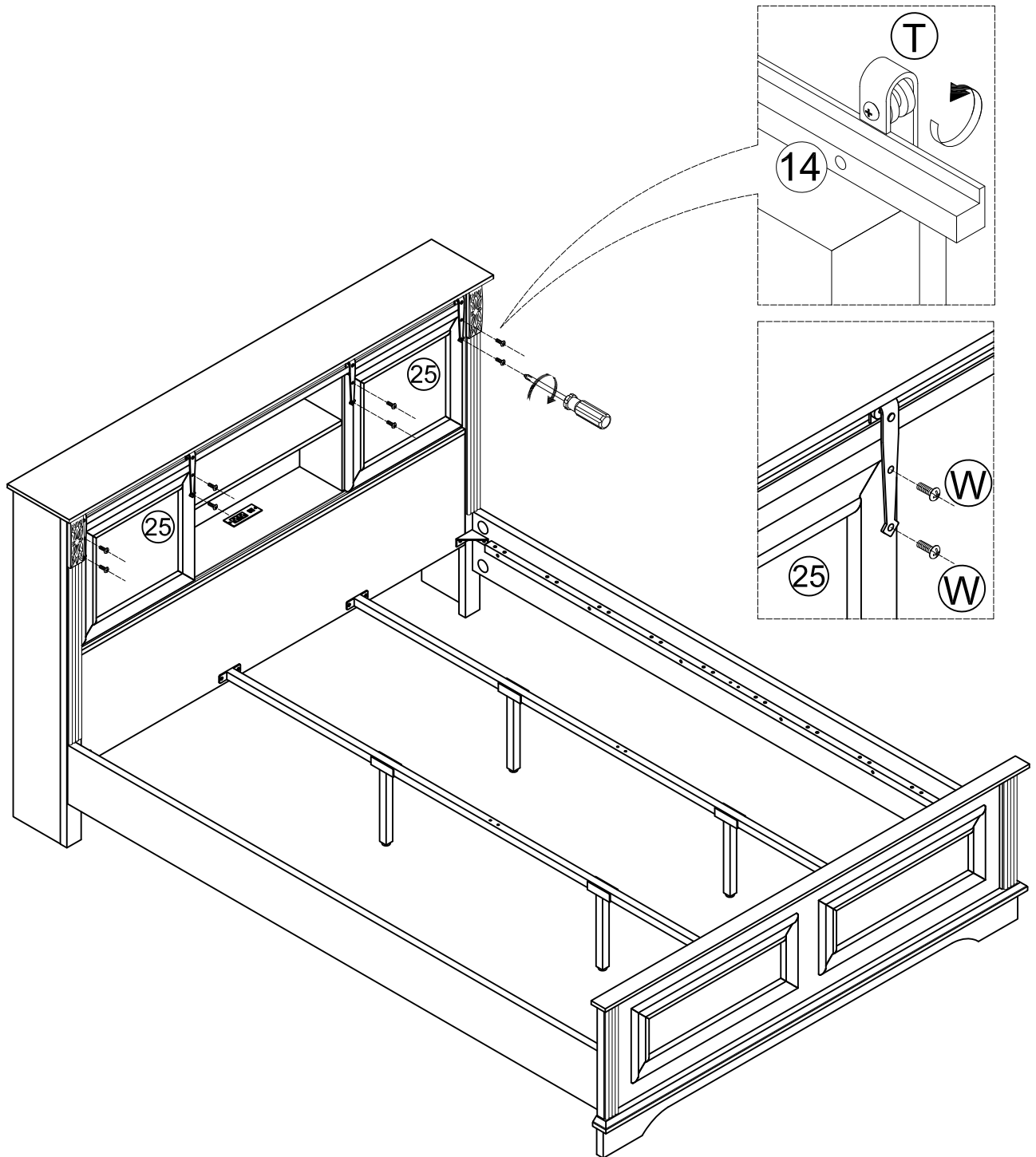
8pcs

T



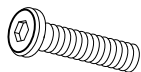
4pcs

-Screw (W) to lock (T) and (25) as below shown



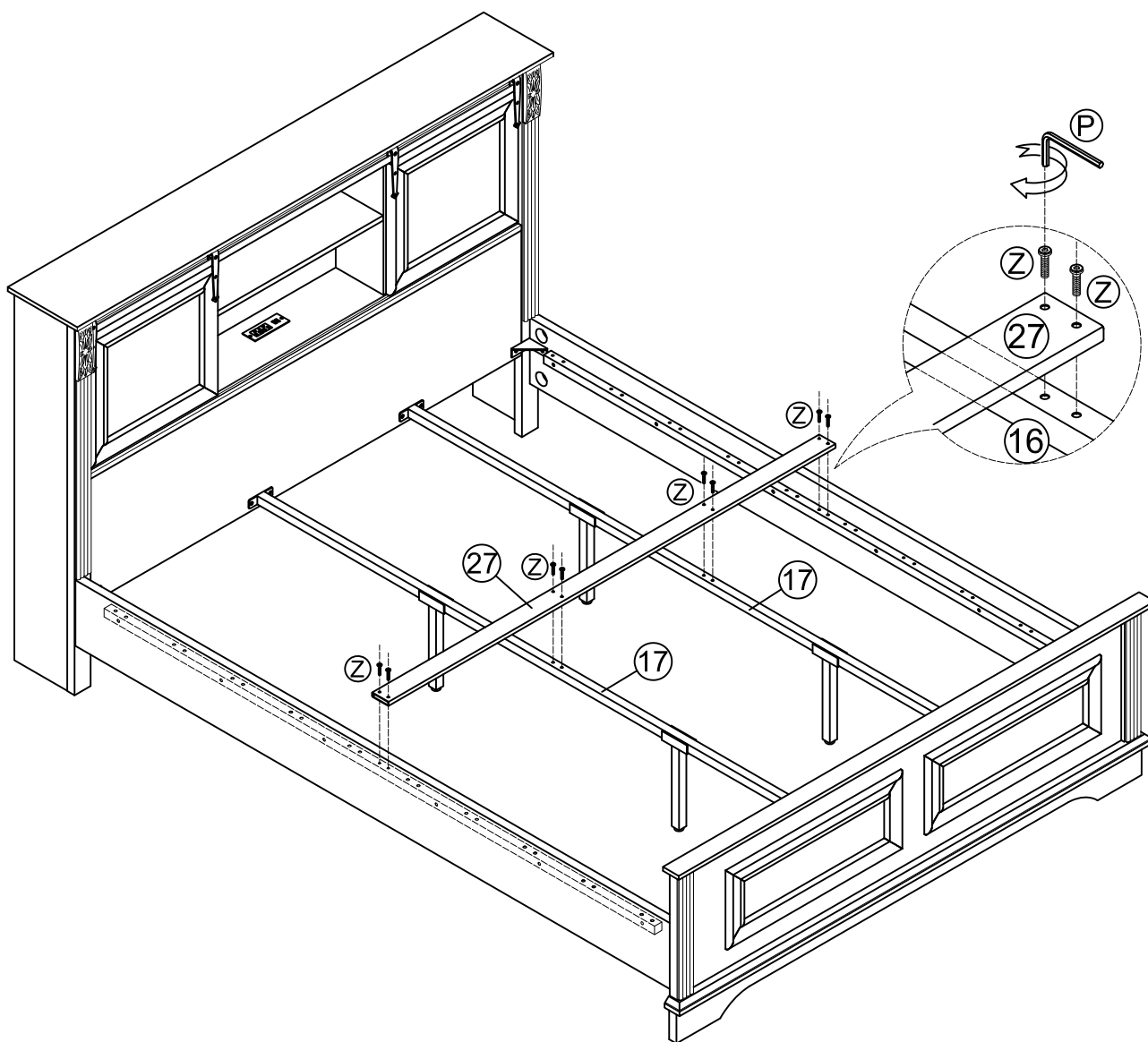
Step 25

(Z)



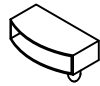
8pcs

-Screw (Z) to lock (27) and (16、17) as below shown



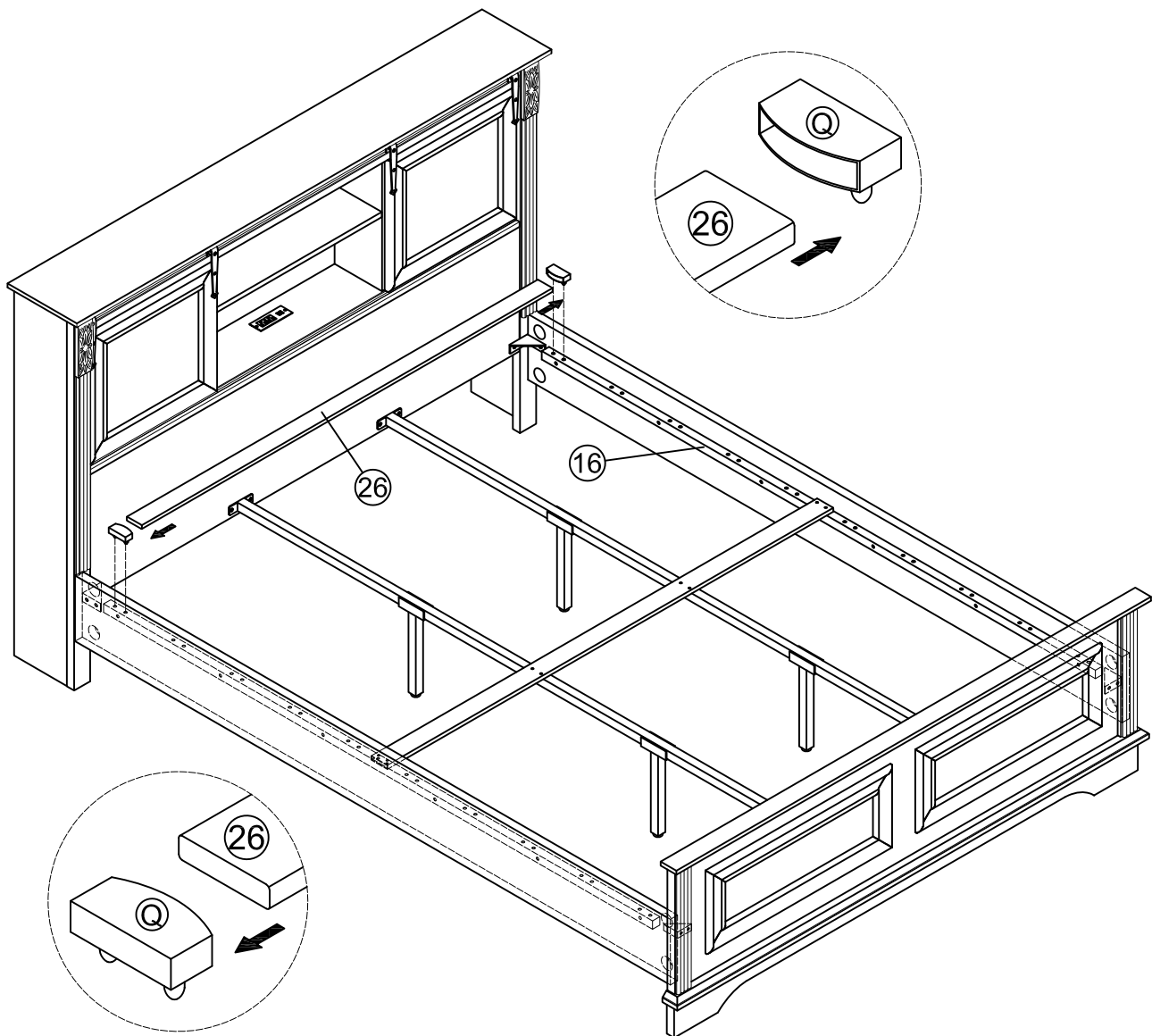
Step 26

Q



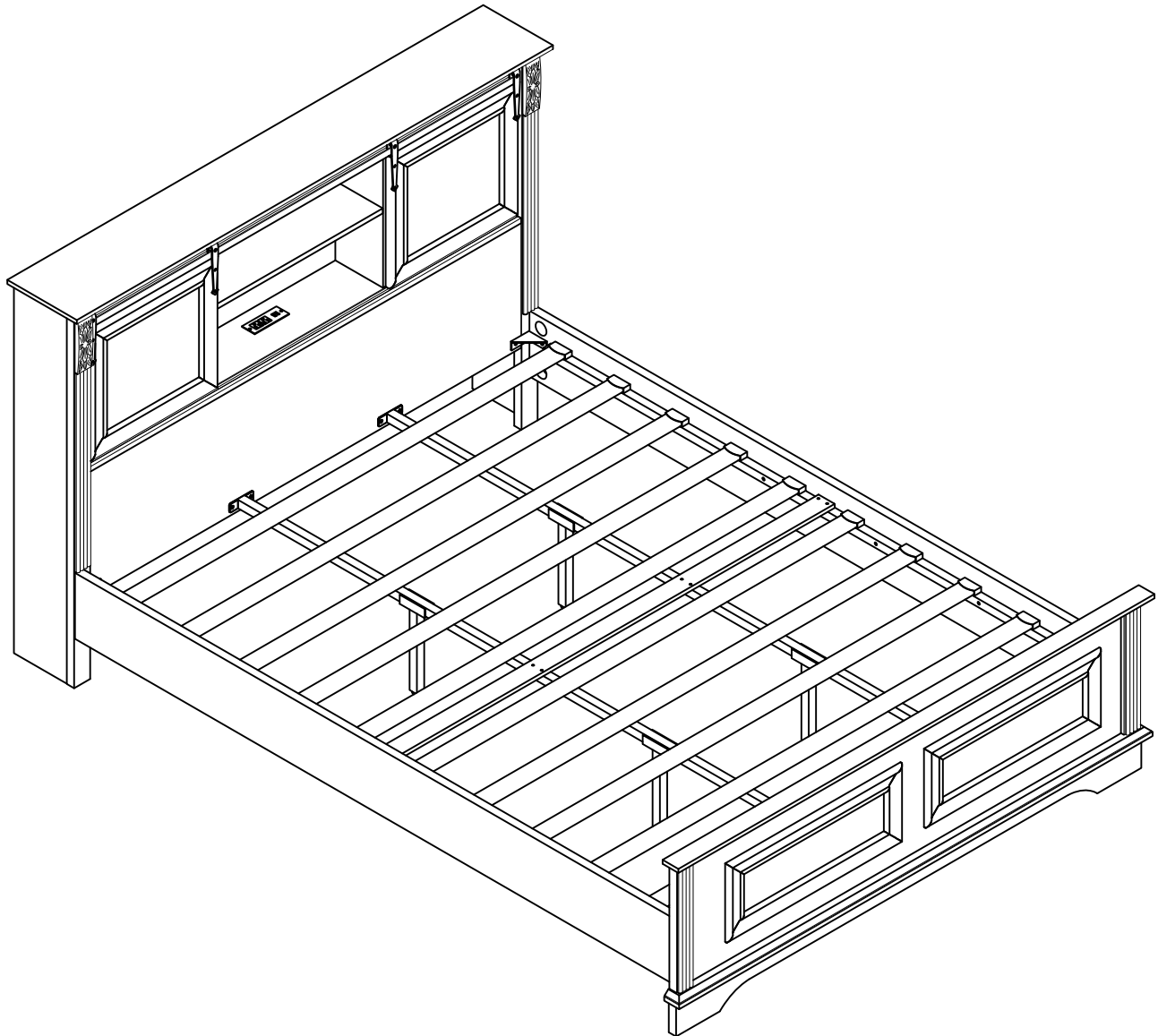
20pcs

- Insert the board (26) into (Q) and then install it into (16) as shown below



Note: Repeat step 26 to secure all wood Batten No. 26 installed

Step 27



Final assembly