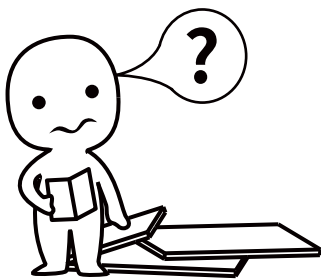


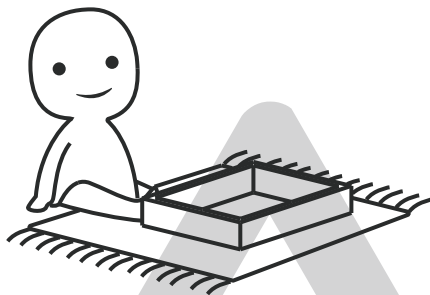
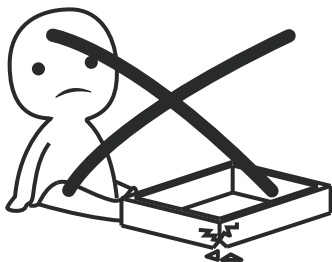
# **INSTALLATION**

*Product Manual*



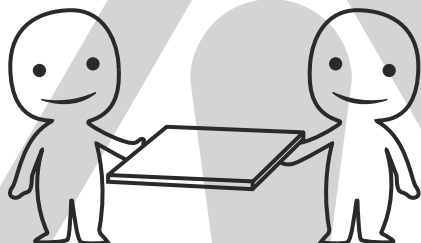
### **IMPORTANT INFORMATION!**

please read the entire manual before starting to assemble and/or using this product. follow the manual thoroughly and keep it for further reference.



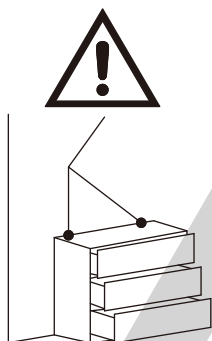
### **AVOID SCRATCHES!**

In order to avoid scratching this furniture should be assembled on a soft layer- could be a rug.



### **IMPROVE EFFICIENCY !**

Try to find a partner to install with you, which can speed up the installation efficiency and shorten the time.



### **ANTI-TOPPLE WARNING !**

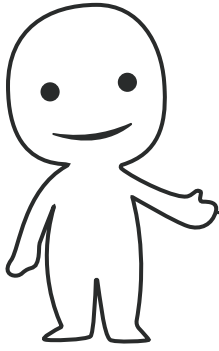
Overturnd furniture can cause serious or fatal crush injuries. To prevent tipping over, be sure to use the wall attachment, if not included with this product. Please purchase the wall attachment that fit your wall. If unsure, seek professional advice. Please read and follow each step of the instructions carefully.

### **IMPORTANT !**

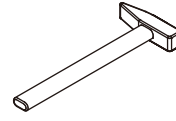
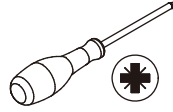
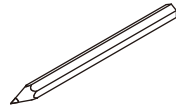
It is important that any product which is assembled using any kind of screw is re-tightened 2 weeks after assembly, and once every 3 months - in order to assure stability through-out the lifespan of the product.

For regular maintenance and cleaning of the product, for the frame, please use a rag dipped in neutral detergent to fully wipe it, and then dry it with a clean rag. For glass materials, wipe with a rag dampened with water glass cleaner, and then dry with a dry rag.

Do not use an electric screwdriver, and do not use too much force when installing, because the board is easy to break.

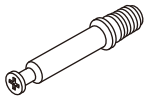


Please prepare the following tools



When installing, please carefully confirm whether each screw corresponds to the manual, accessories with similar shapes can be distinguished by size

A x 46



Ø6 x 35 mm

B x 52



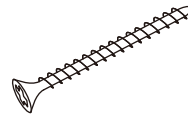
Ø8 x 30 mm

C x 46



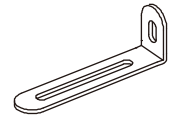
Ø15 x 9 mm

D x 22

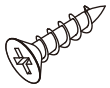


Ø4 x 35 mm

E x 2



F x 126

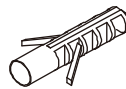


Ø3.5 x 14 mm

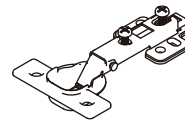
G x 28



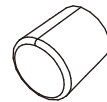
H x 2



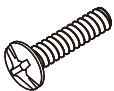
J x 16



K x 10



L x 10



N x 12

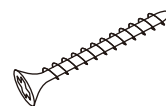


Q x 16



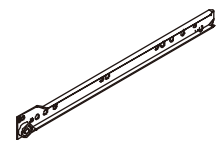
Ø3 x 12 mm

R x 10

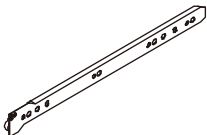


Ø4 x 30 mm

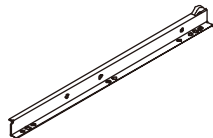
CL x 2



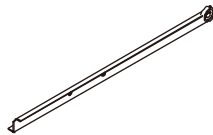
CR x 2

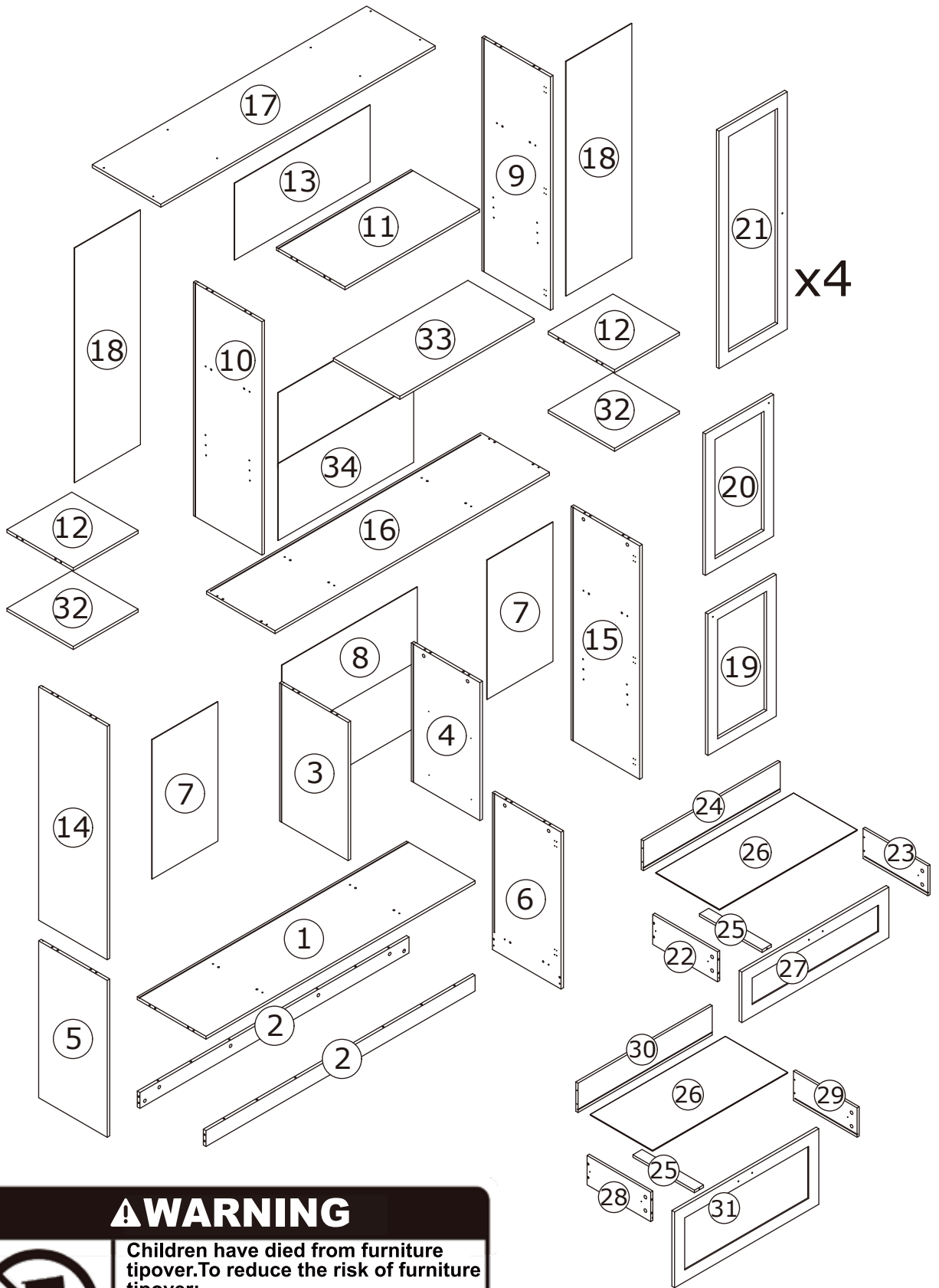


DL x 2



DR x 2





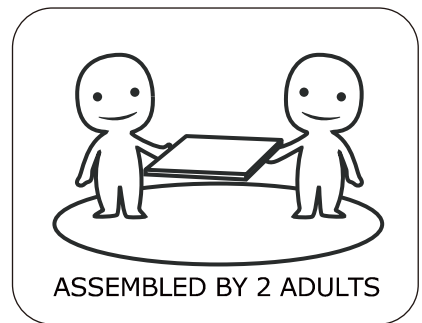
x4

**⚠ WARNING**

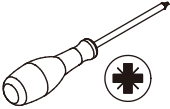
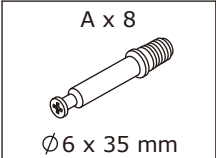
**Children have died from furniture tipover. To reduce the risk of furniture tipover:**

- ALWAYS install Anti-tip device provided.
- NEVER put a TV on this product.
- NEVER allow children to stand, climb or hang on drawers, doors, or shelves.
- NEVER open more than one drawer at a time.
- Place heaviest items in the lowest drawers.

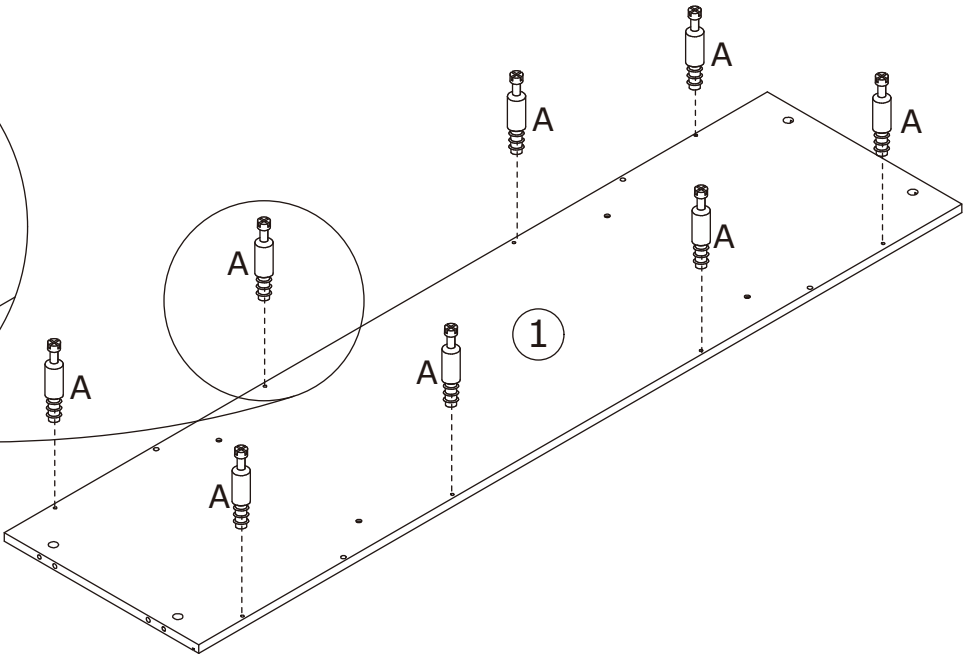
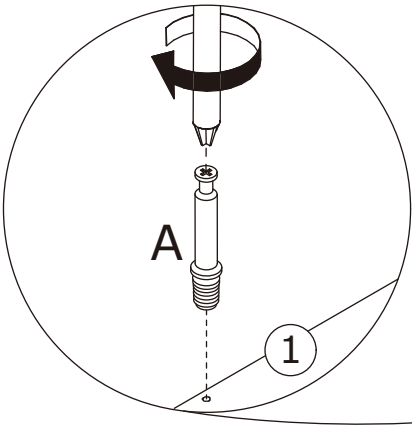
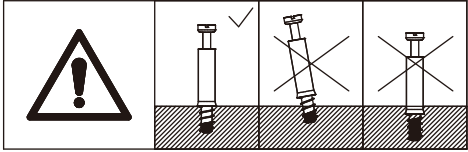
*This is a permanent label. Do not remove!*



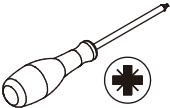
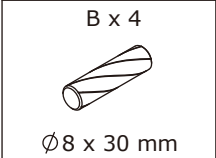
1



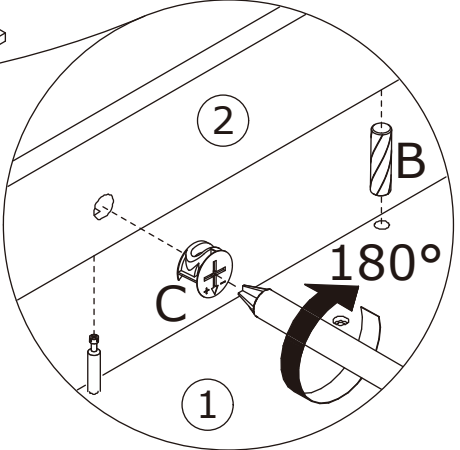
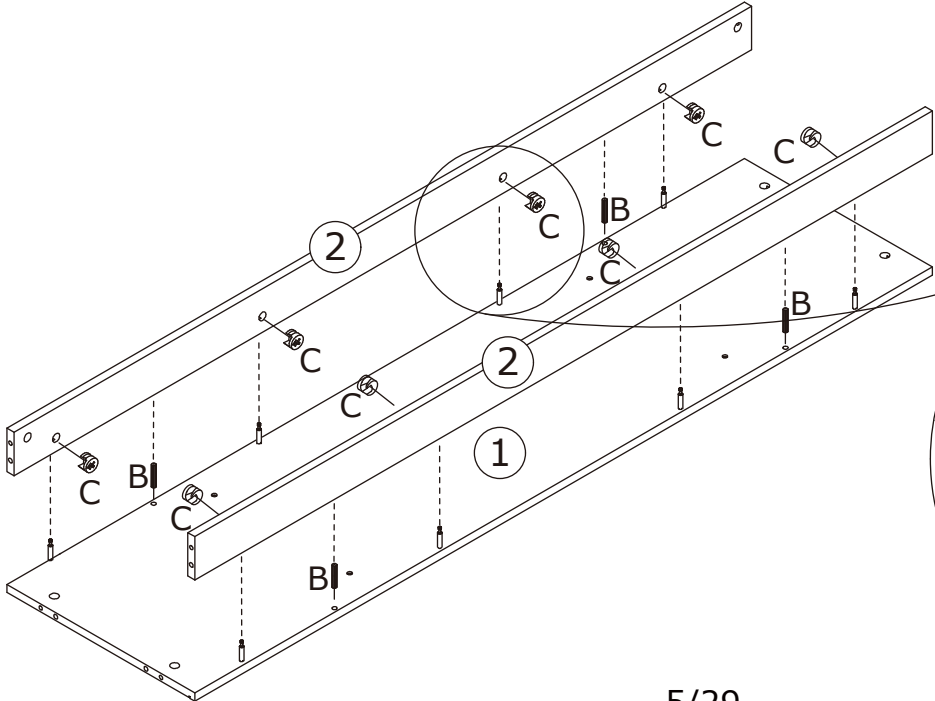
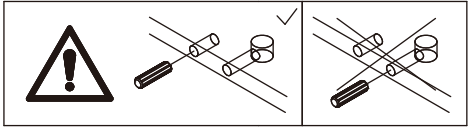
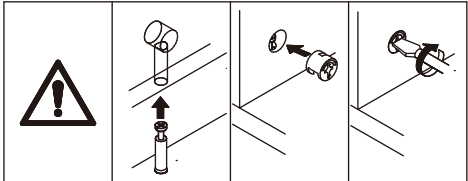
Screw eccentric rod(A) into board 1 as shown.



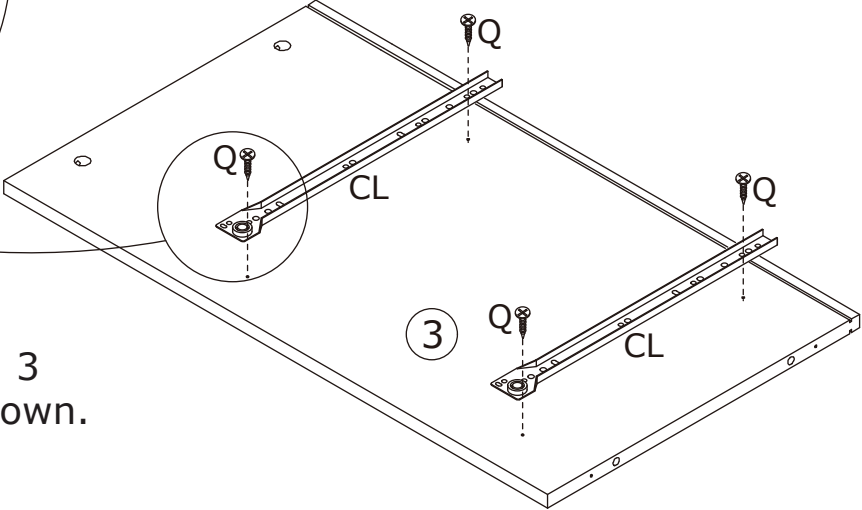
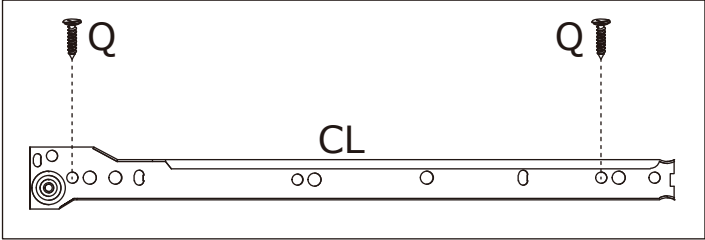
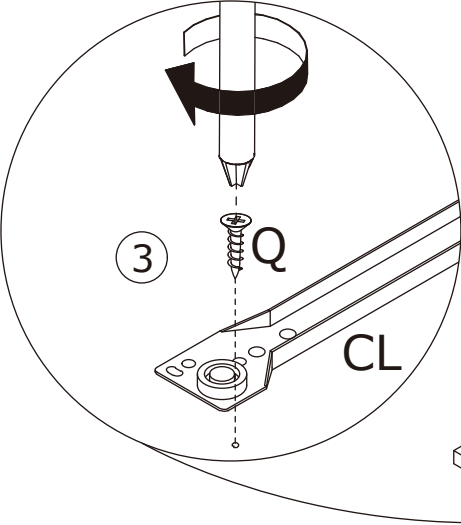
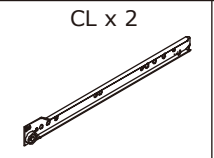
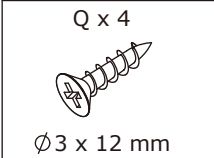
2



Insert wooden dowel(B) into board 1 at first. Attach board 2 to board 1, add cam lock(C) into board 2 and turn clockwise to tighten as shown.

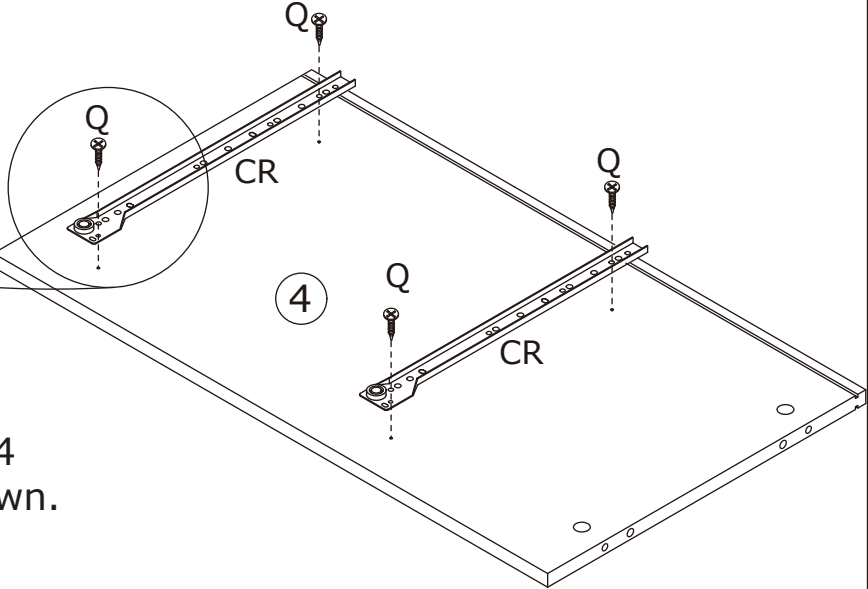
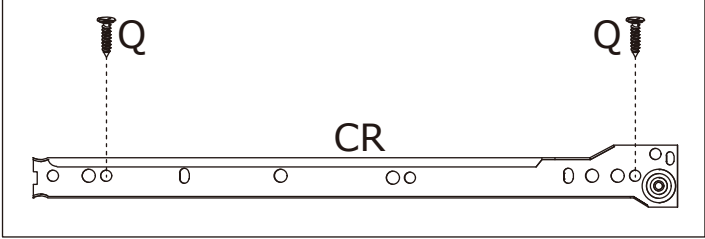
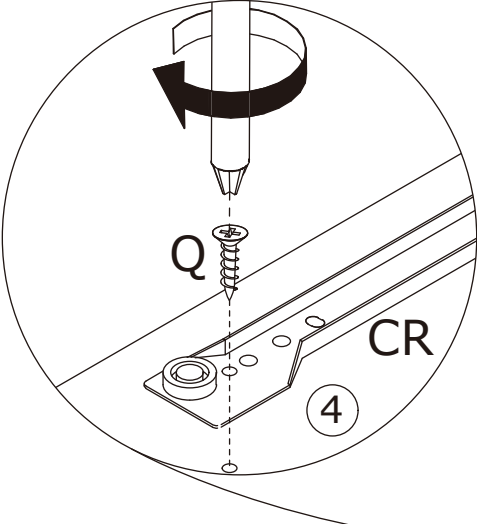
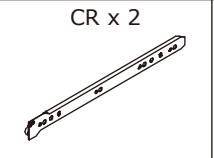
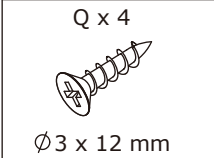


3



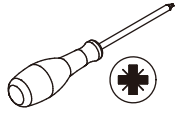
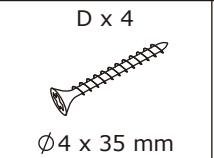
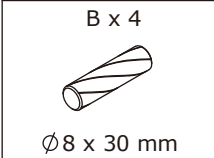
Fix rail(CL) to board 3 with screw(Q) as shown.

4



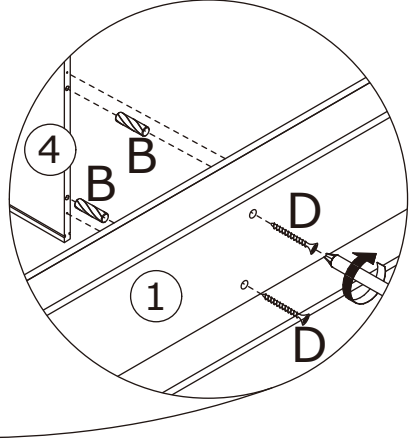
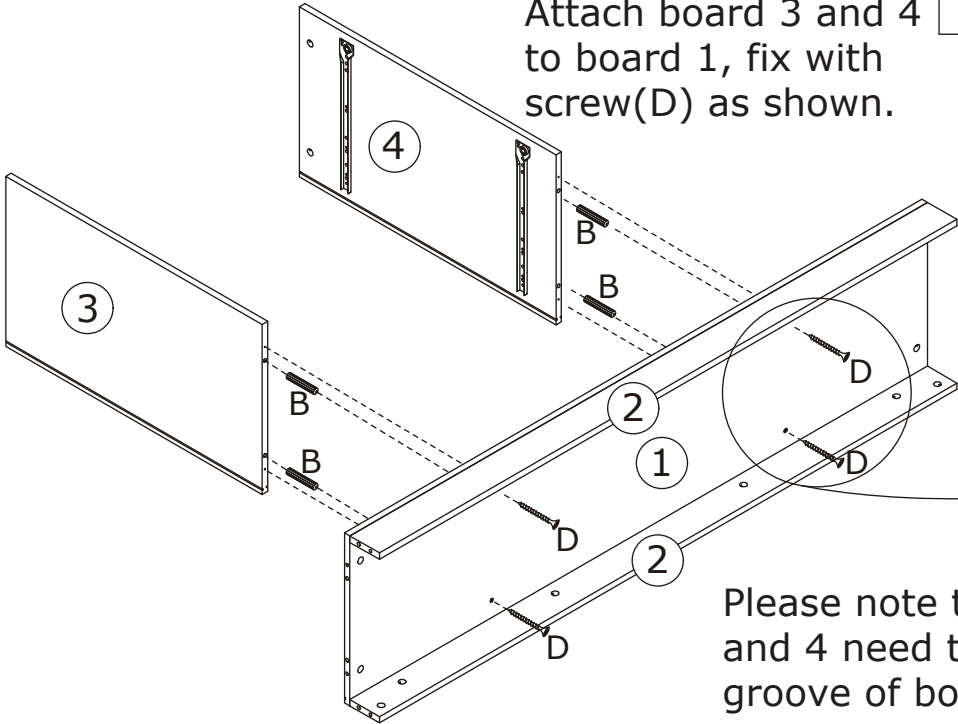
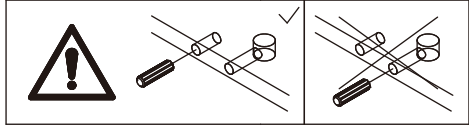
Fix rail(CR) to board 4 with screw(Q) as shown.

5



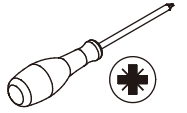
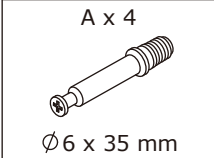
Insert wooden dowel(B) into board 1 at first.

Attach board 3 and 4 to board 1, fix with screw(D) as shown.

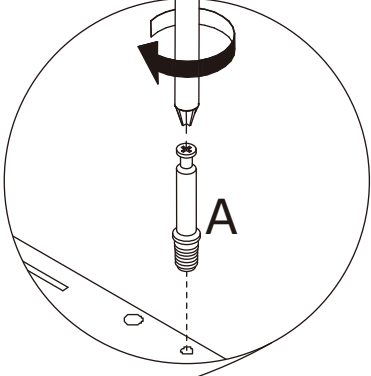
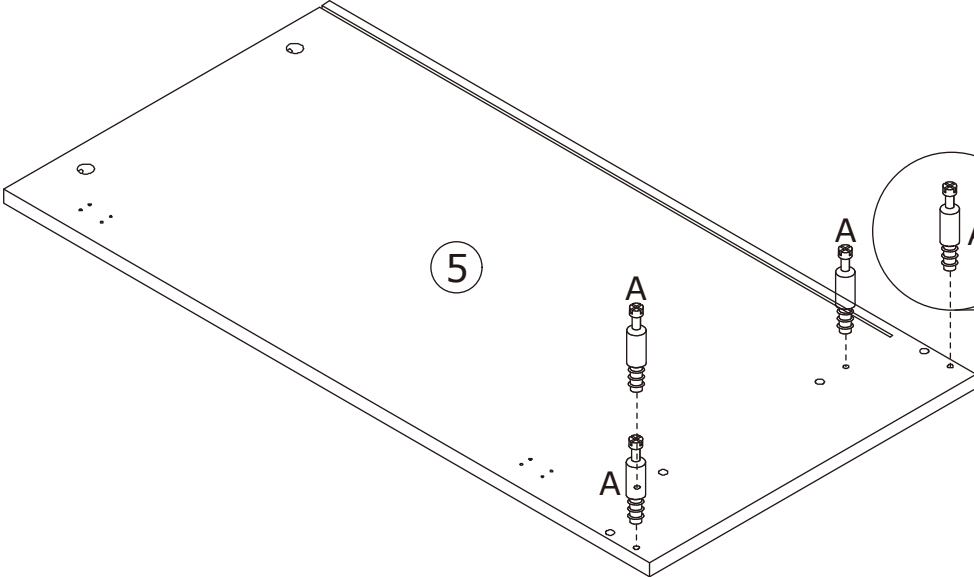
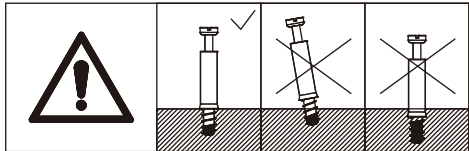


Please note the grooves of board 3 and 4 need to be aligned with the groove of board 1.

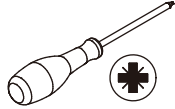
6



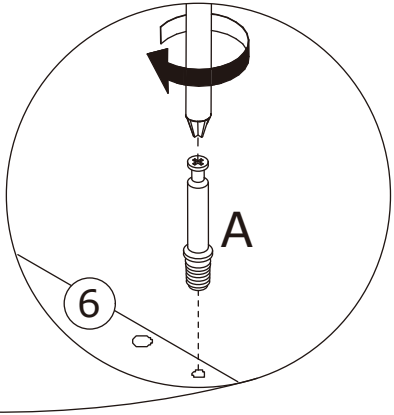
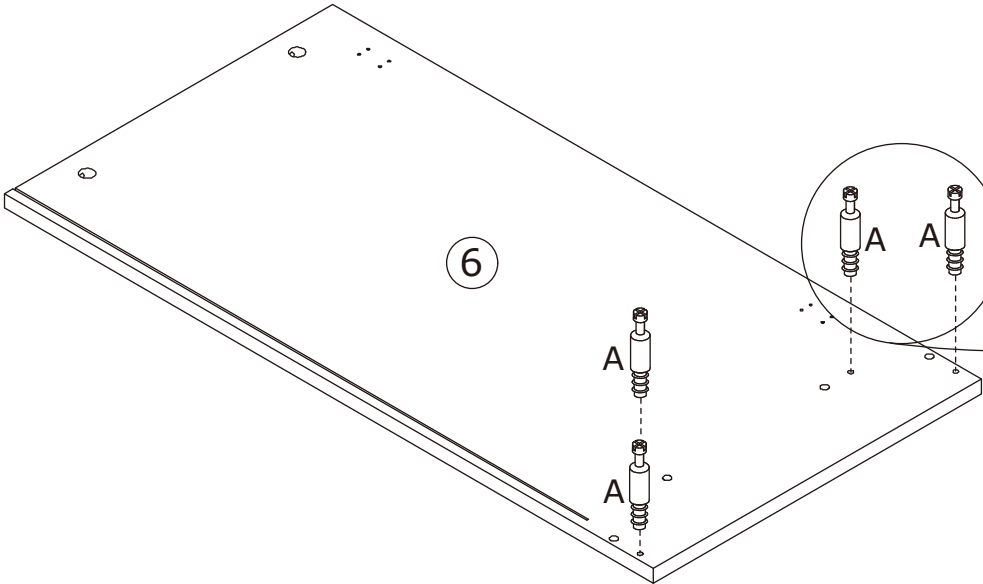
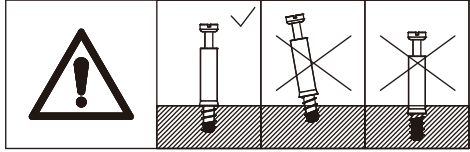
Screw eccentric rod(A) into board 5 as shown.



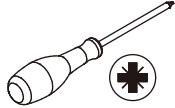
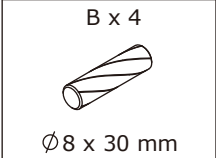
7



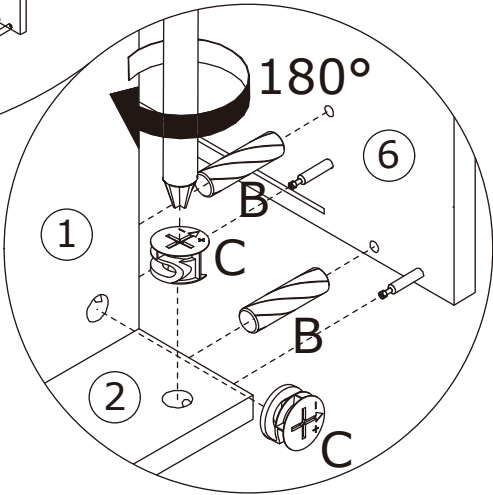
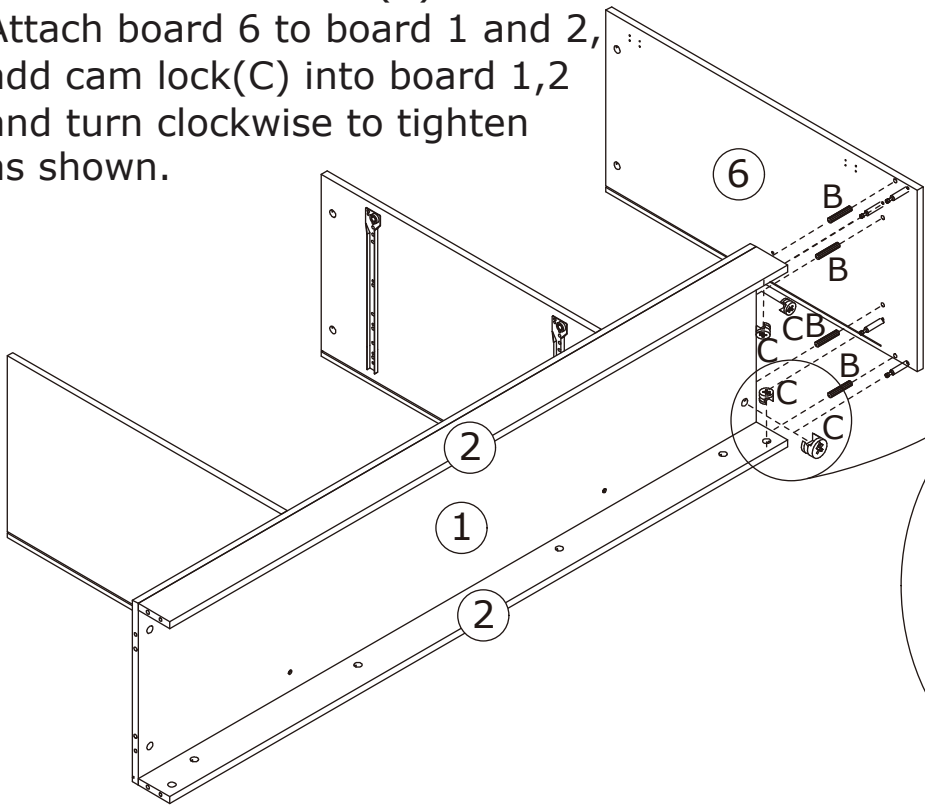
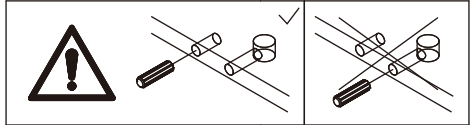
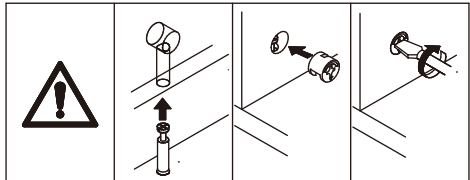
Screw eccentric rod(A) into board 6 as shown.



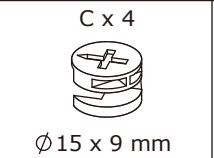
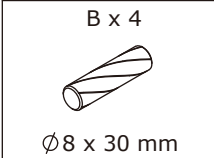
8



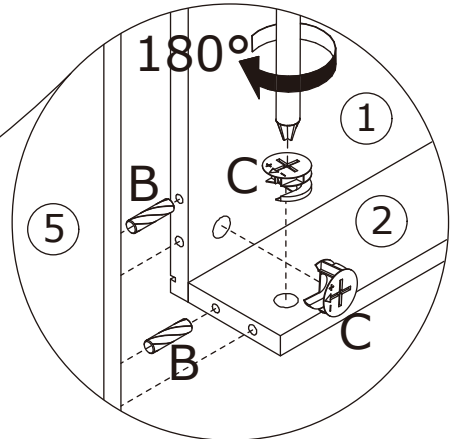
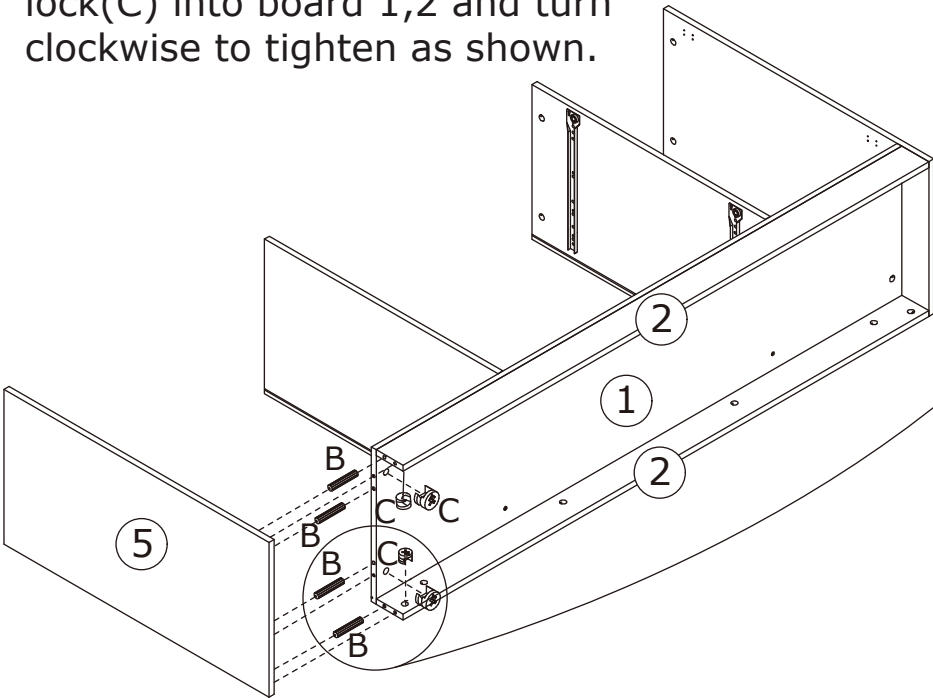
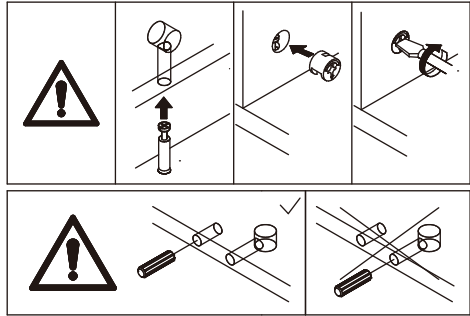
Insert wooden dowel(B) into board 6 at first. Attach board 6 to board 1 and 2, add cam lock(C) into board 1,2 and turn clockwise to tighten as shown.



9

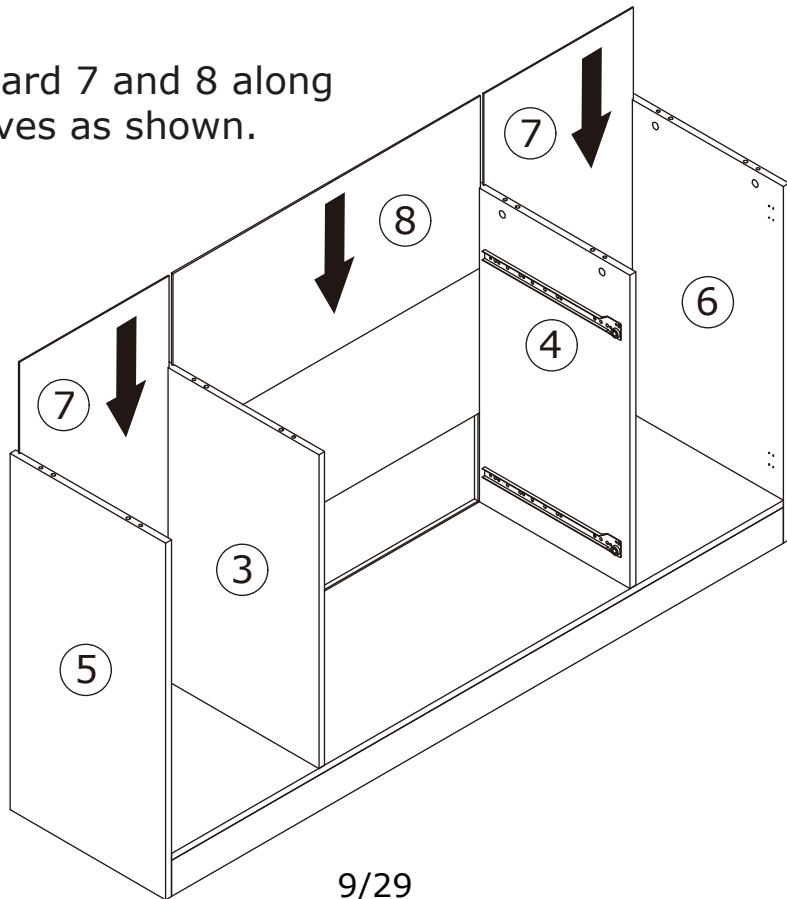


Insert wooden dowel(B) into board 5 at first. Attach board 5 to board 1 and 2, add cam lock(C) into board 1,2 and turn clockwise to tighten as shown.

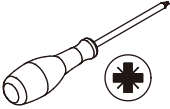
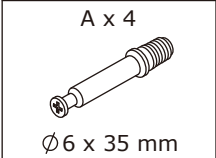


10

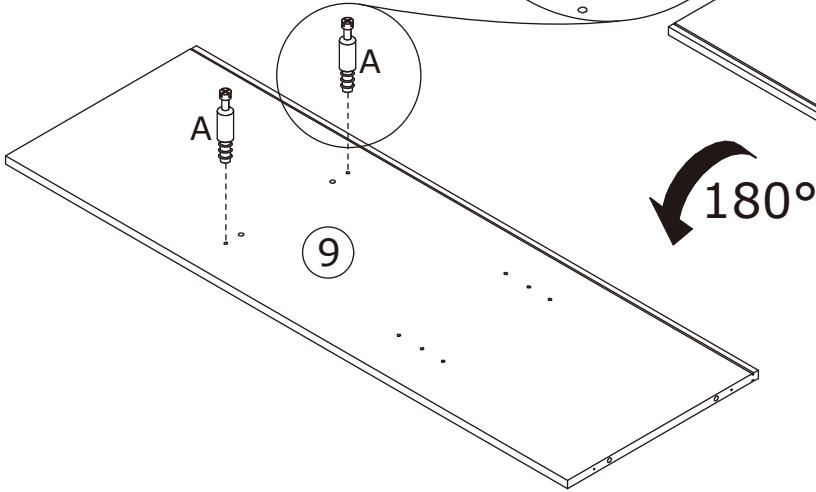
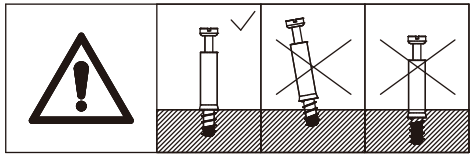
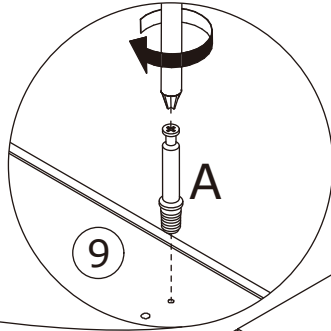
Insert back board 7 and 8 along available grooves as shown.



11



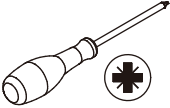
Screw eccentric rod(A) into board 9 at first.



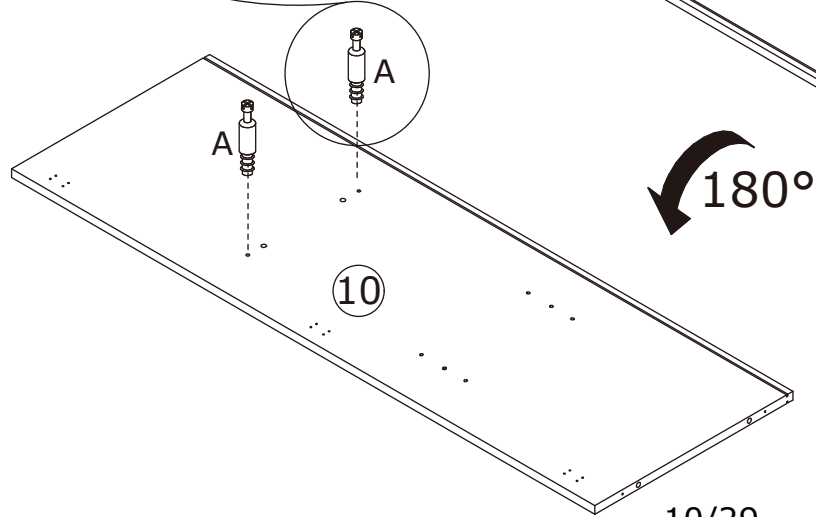
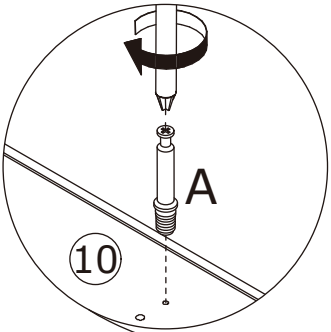
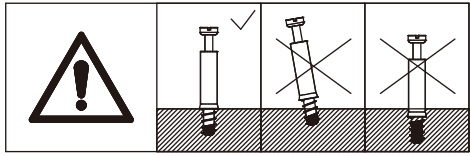
180°

**Flip the board,** screw eccentric rod(A) as well.

12



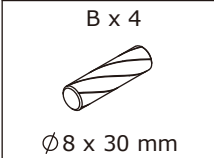
Screw eccentric rod(A) into board 10 at first.



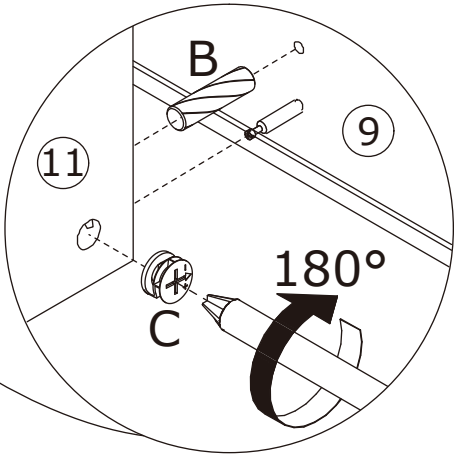
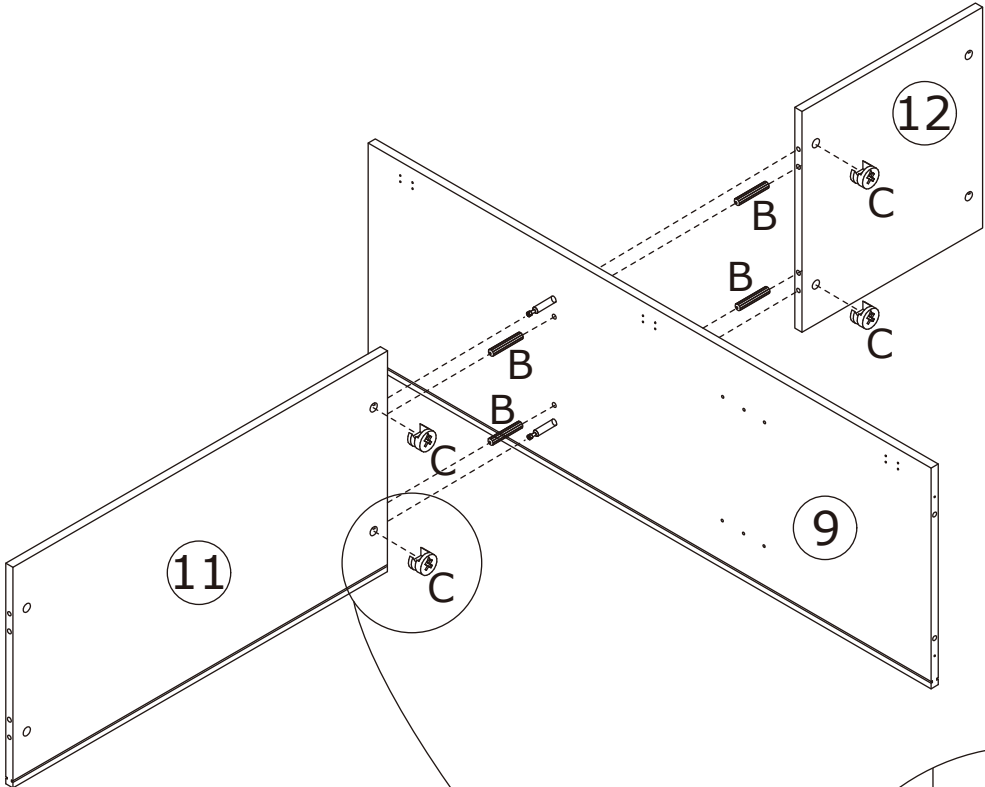
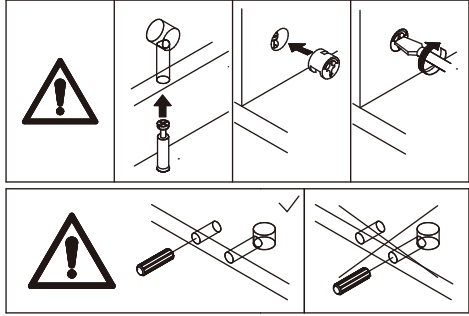
180°

**Flip the board,** screw eccentric rod(A) as well.

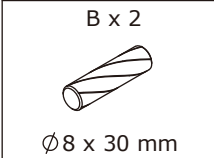
13



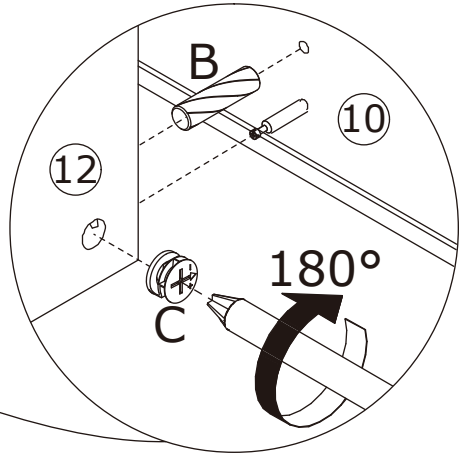
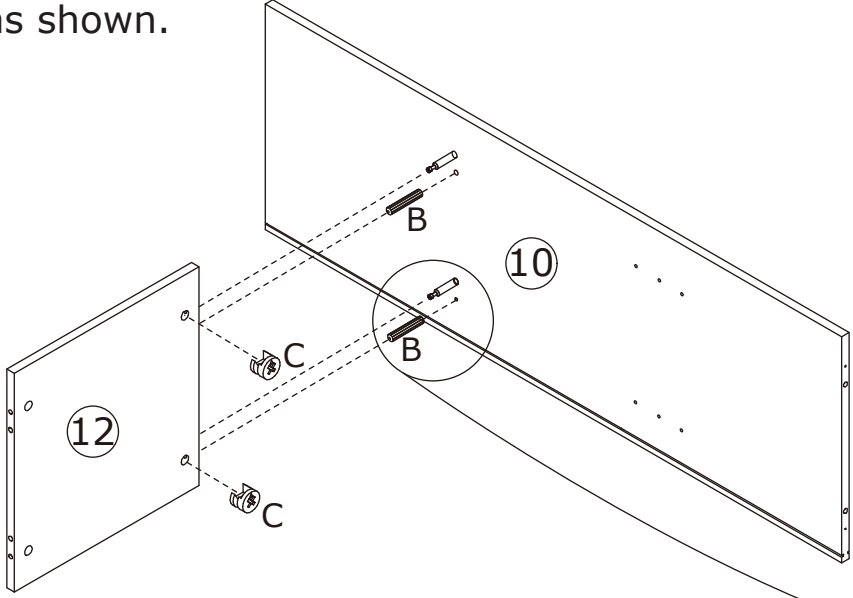
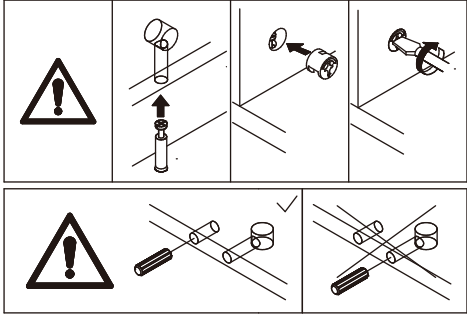
Insert wooden dowel(B) into board 9 at first. Attach board 11 and 12 to board 9, add cam lock(C) into board 11,12 and turn clockwise to tighten as shown.



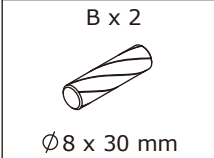
# 14



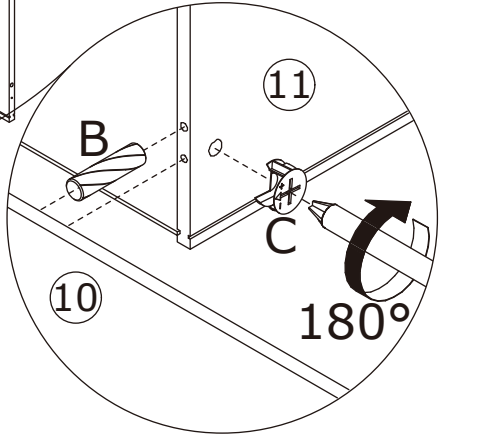
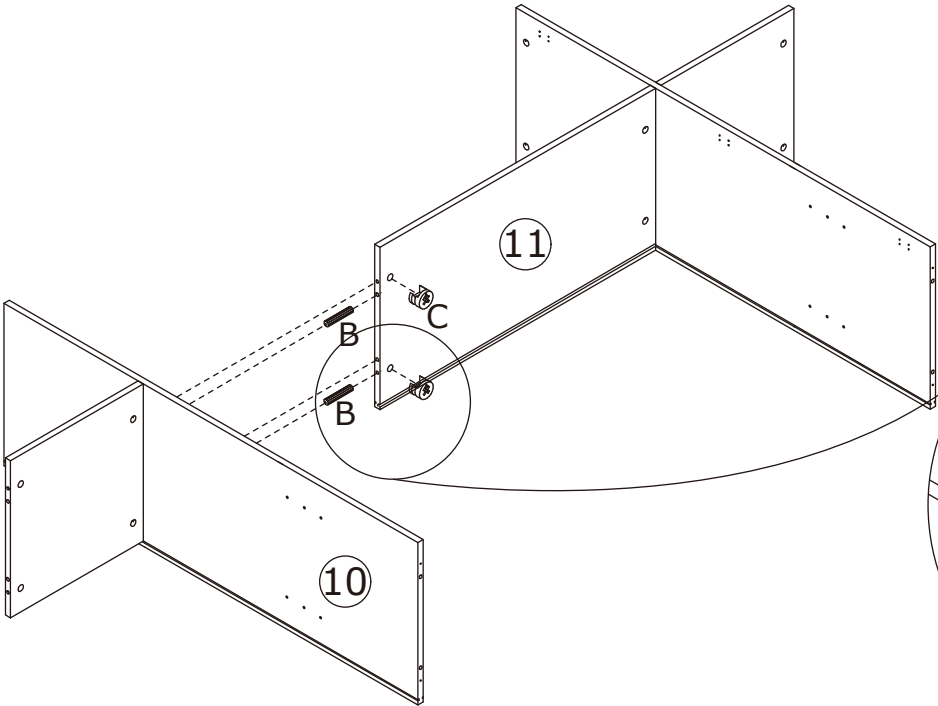
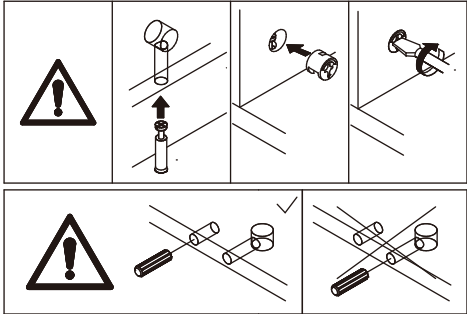
Insert wooden dowel(B) into board 10 at first. Attach board 12 to board 10, add cam lock(C) into board 12 and turn clockwise to tighten as shown.



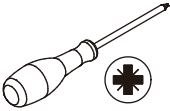
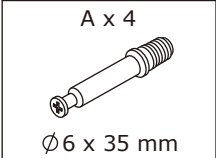
# 15



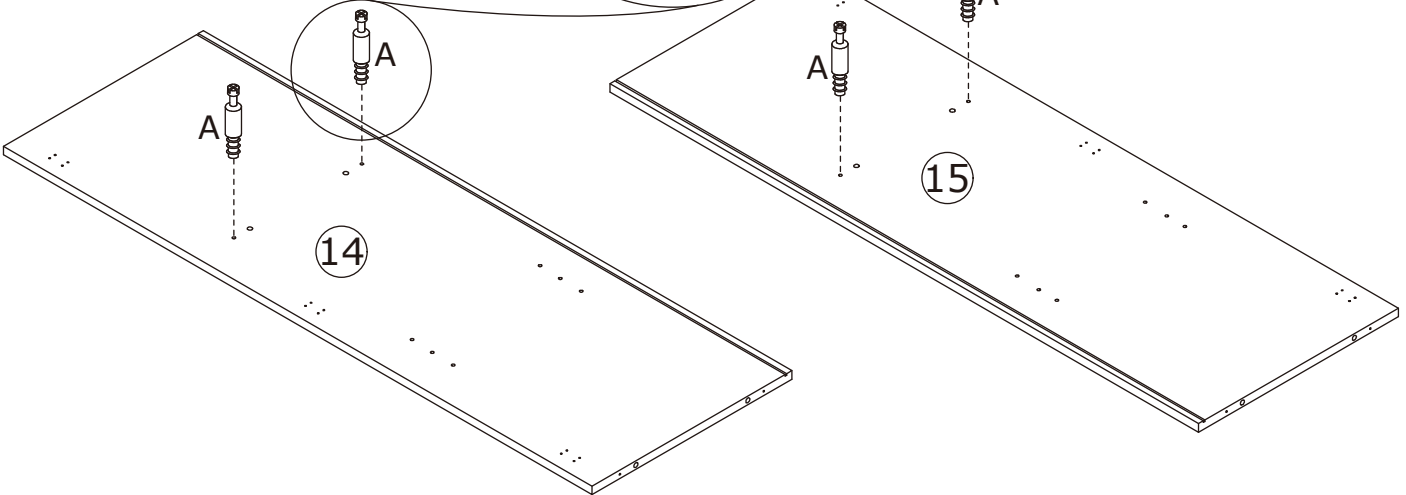
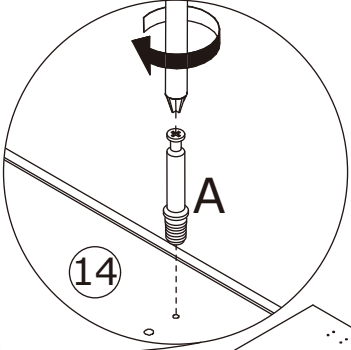
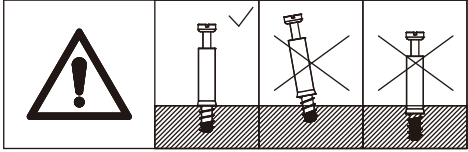
Insert wooden dowel(B) into board 10 at first. Connect the two parts, add cam lock(C) into board 11 and turn clockwise to tighten as shown.



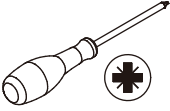
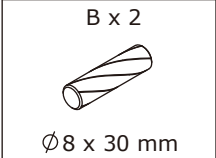
16



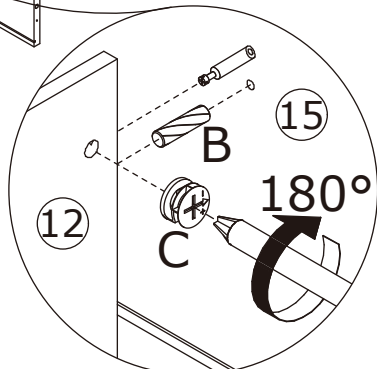
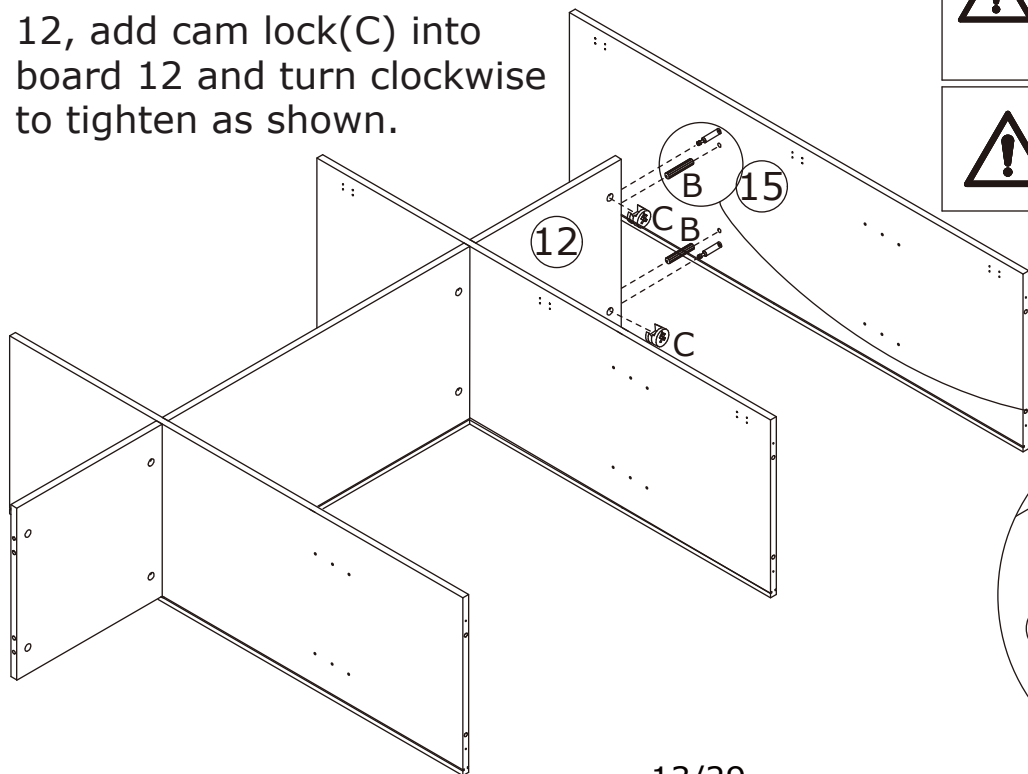
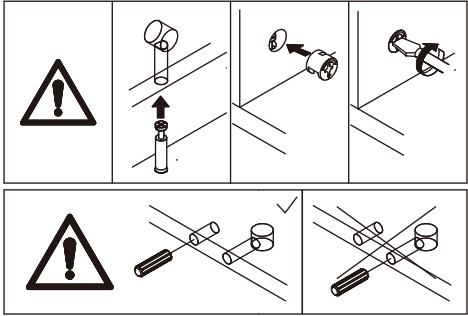
Screw eccentric rod(A) into board 14 and 15 at first.



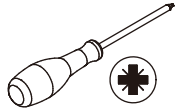
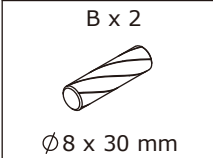
17



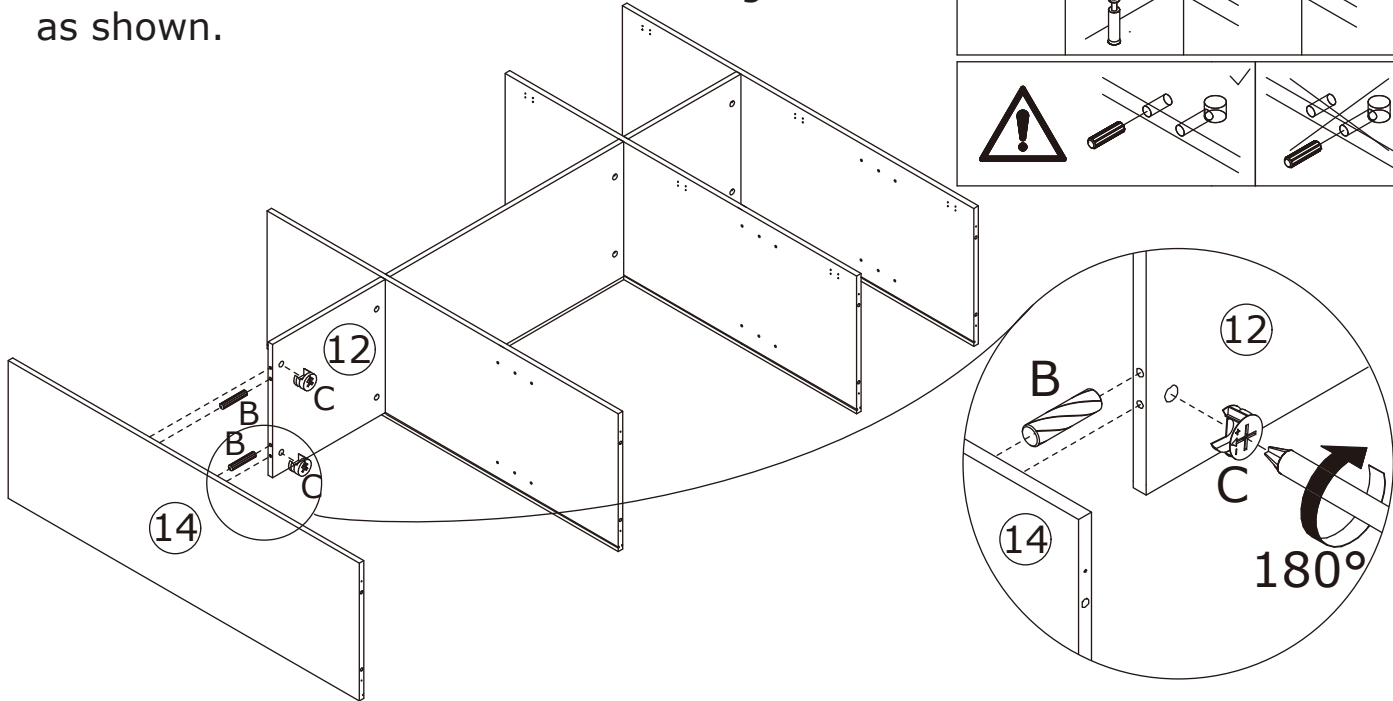
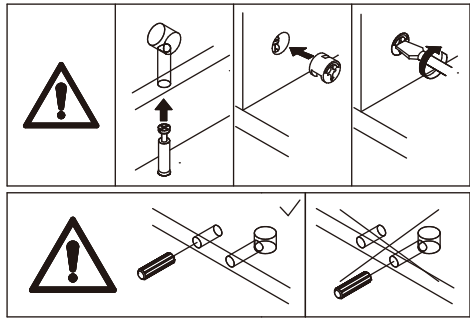
Insert wooden dowel(B) into board 15 at first. Attach board 15 to board 12, add cam lock(C) into board 12 and turn clockwise to tighten as shown.



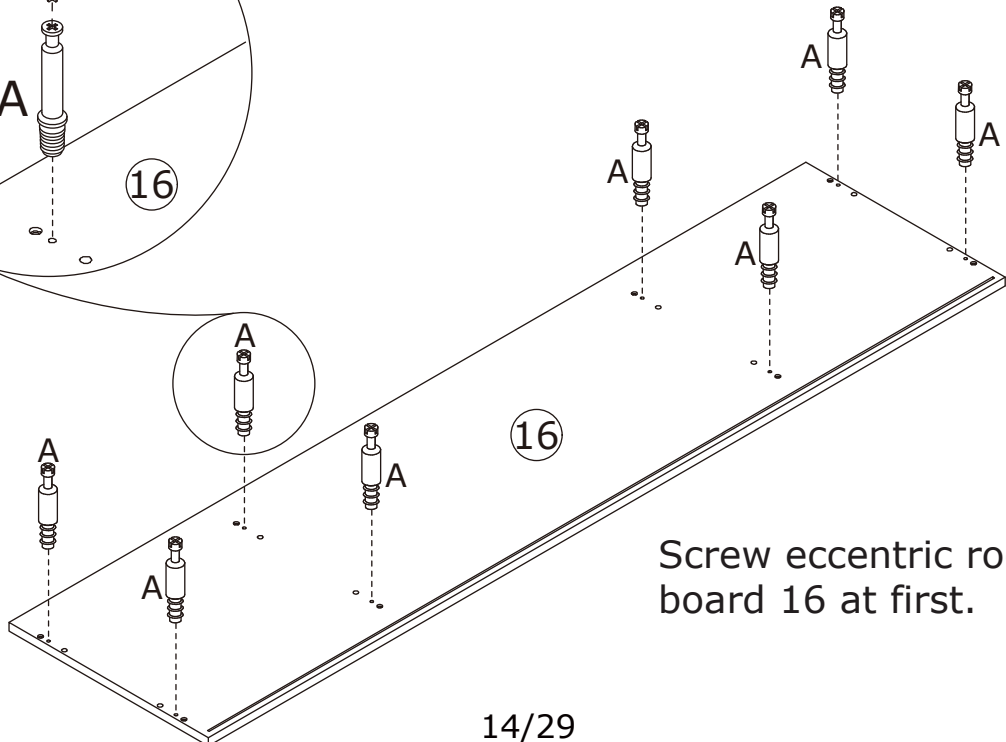
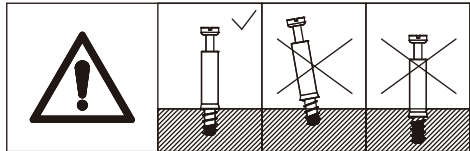
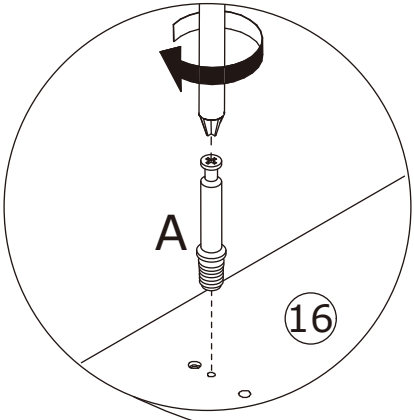
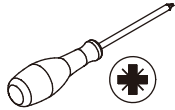
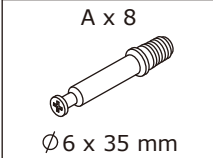
# 18



Insert wooden dowel(B) into board 14 at first. Attach board 14 to board 12, add cam lock(C) into board 12 and turn clockwise to tighten as shown.

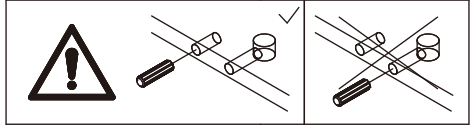
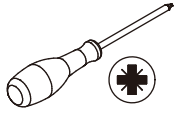
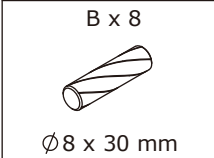


# 19



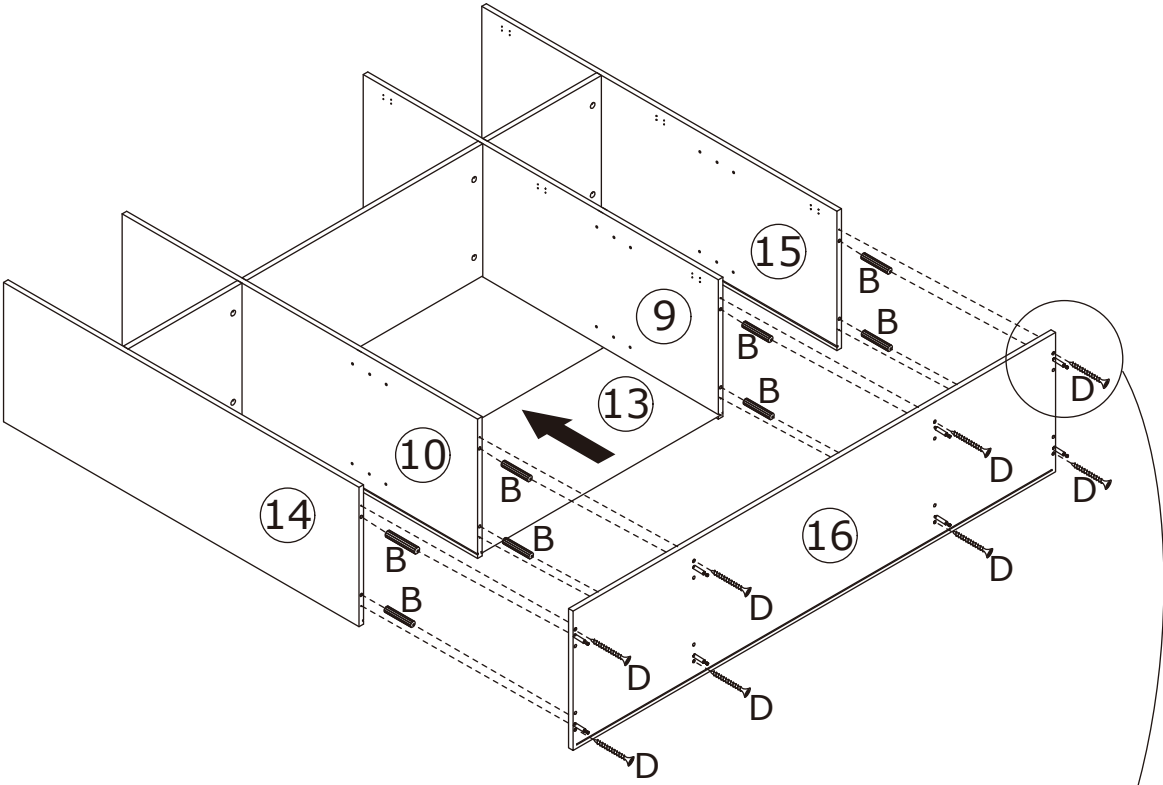
Screw eccentric rod(A) into board 16 at first.

20

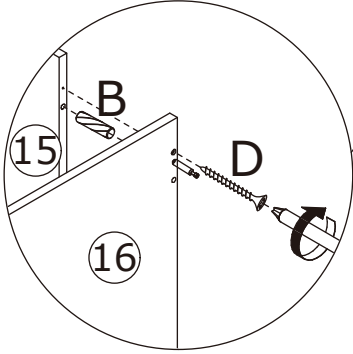


Insert back board 13 along available grooves as shown.

Insert wooden dowel(B) into board 16 at first.



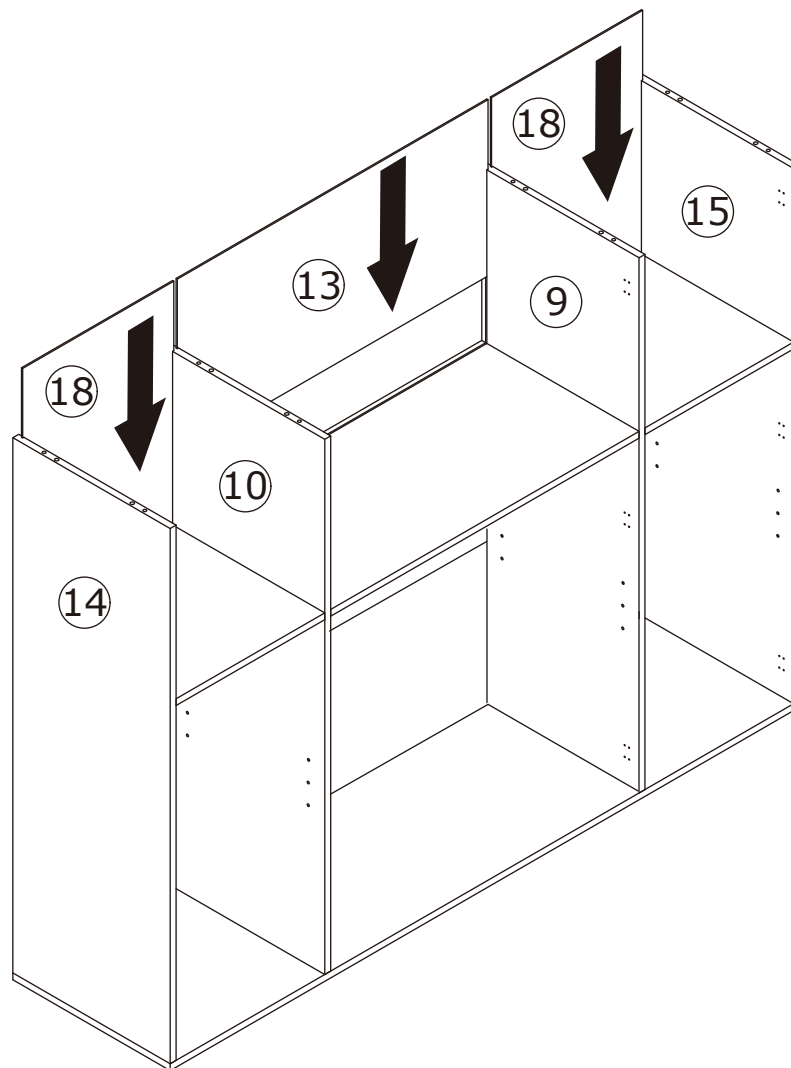
Attach board 16 to board 14, 10, 9 and 15, fix with screw(D) as shown.



21



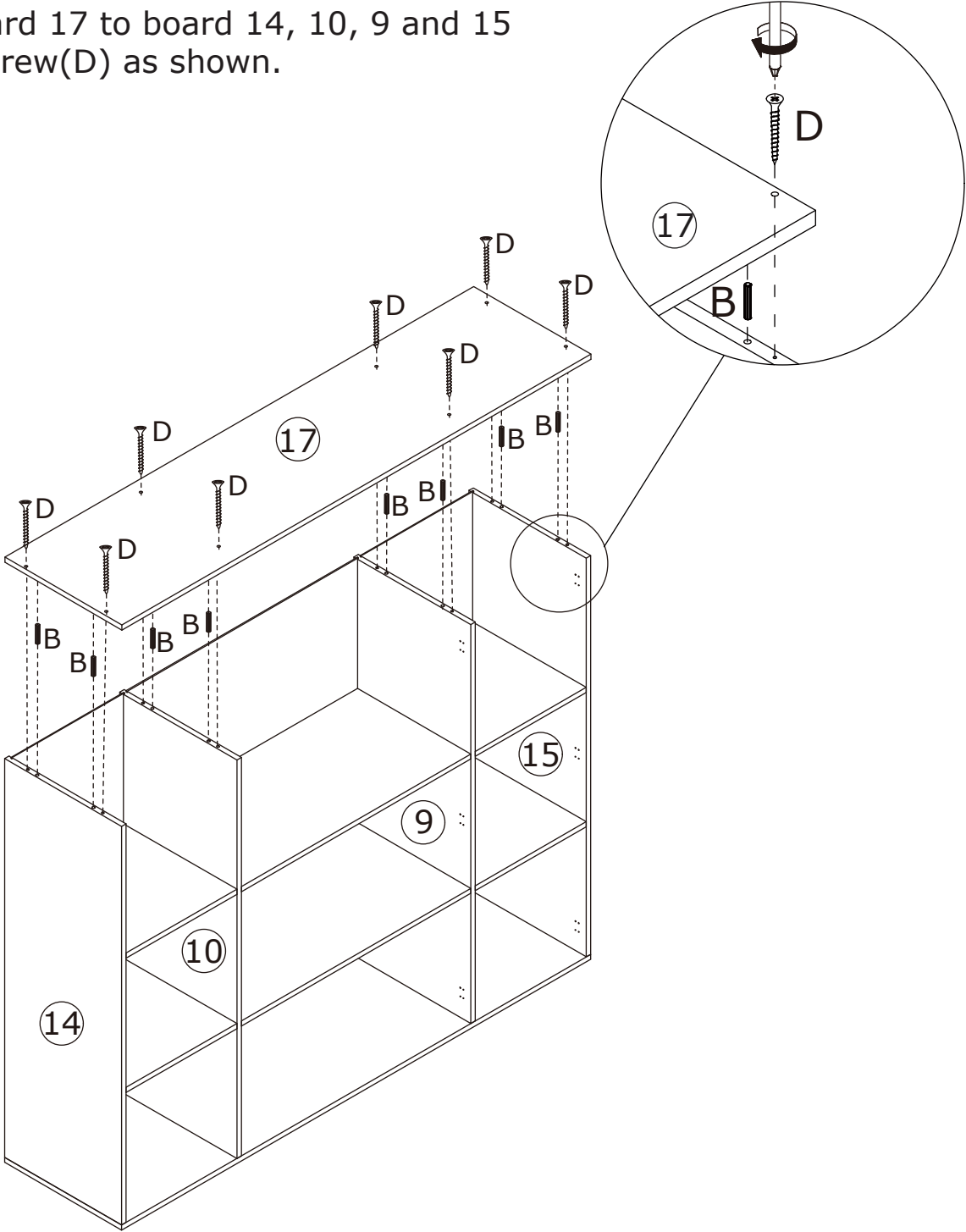
Insert back board 13 and 18 along available grooves as shown.



22



Insert wooden dowel(B) into board 17 at first.  
Fix board 17 to board 14, 10, 9 and 15 with screw(D) as shown.



23

B x 8

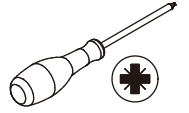


Ø8 x 30 mm

C x 8

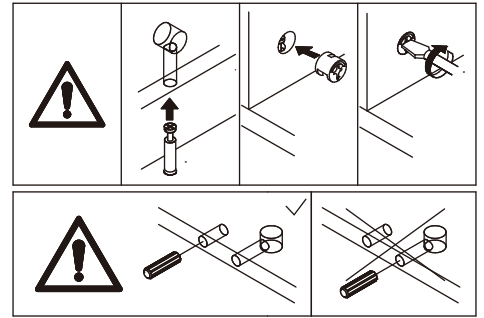
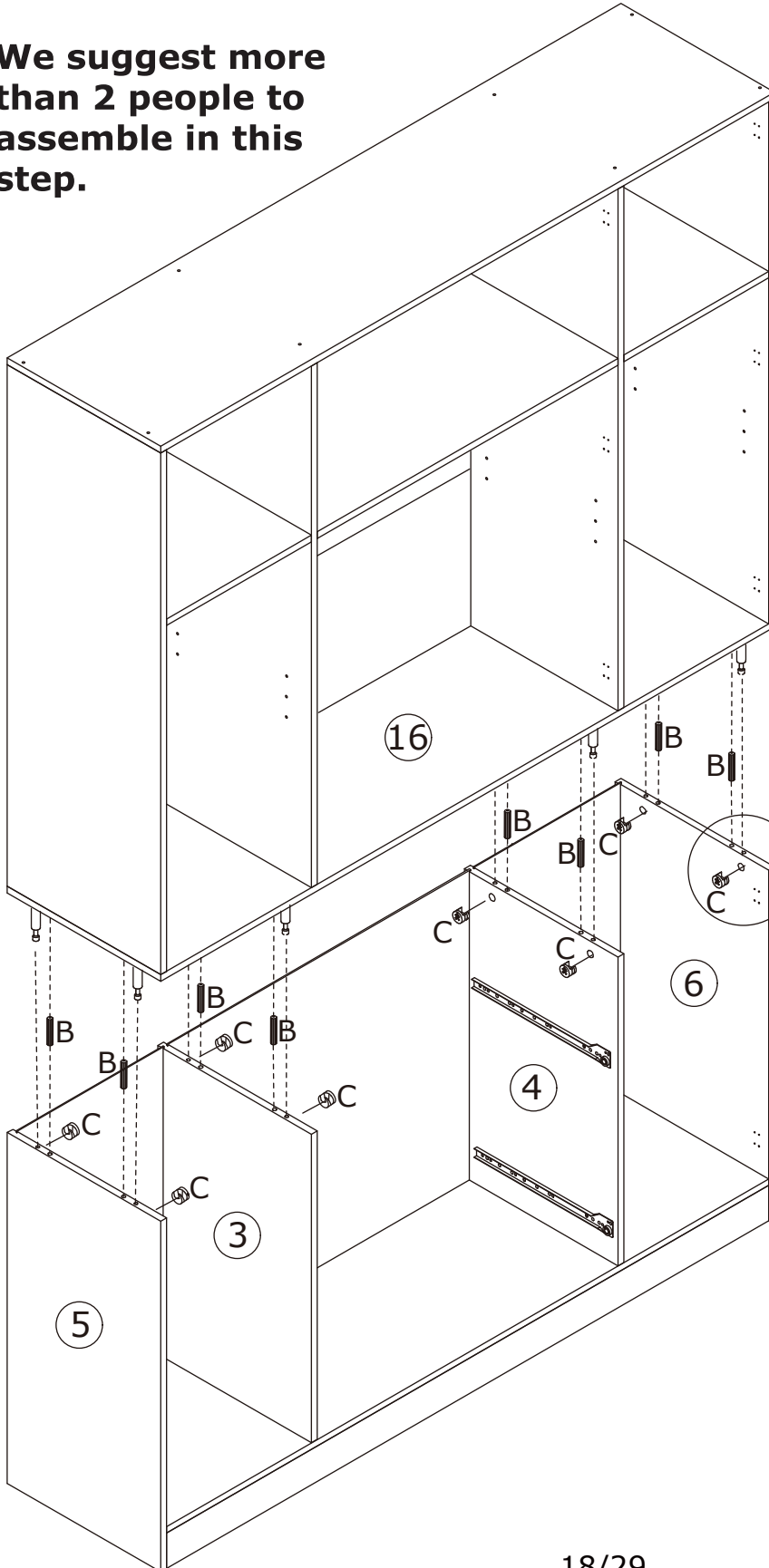


Ø15 x 9 mm

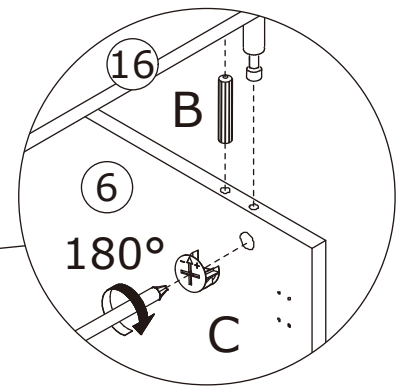


Insert wooden dowel(B) into board 3, 4, 5 and 6 at first.

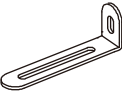


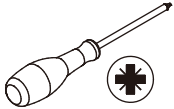
**We suggest more than 2 people to assemble in this step.**



Connect the two components, add cam lock(C) into board 5, 3,4,6 and turn clockwise to tighten as shown.

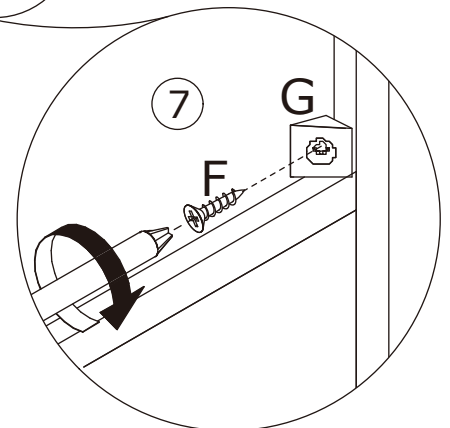
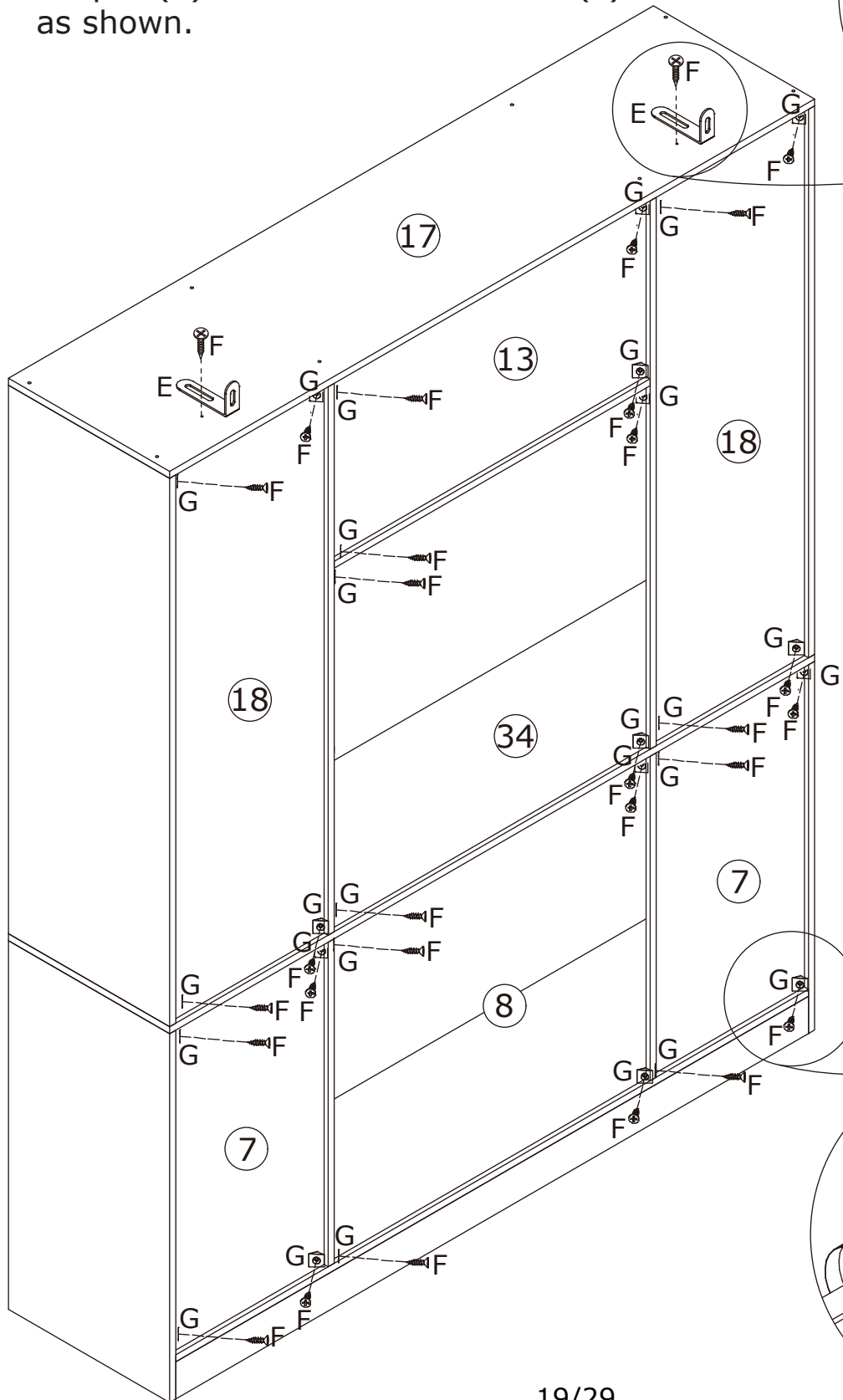
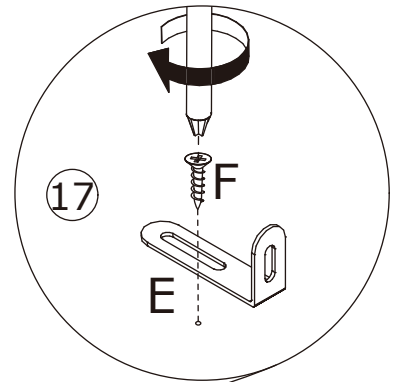


# 24

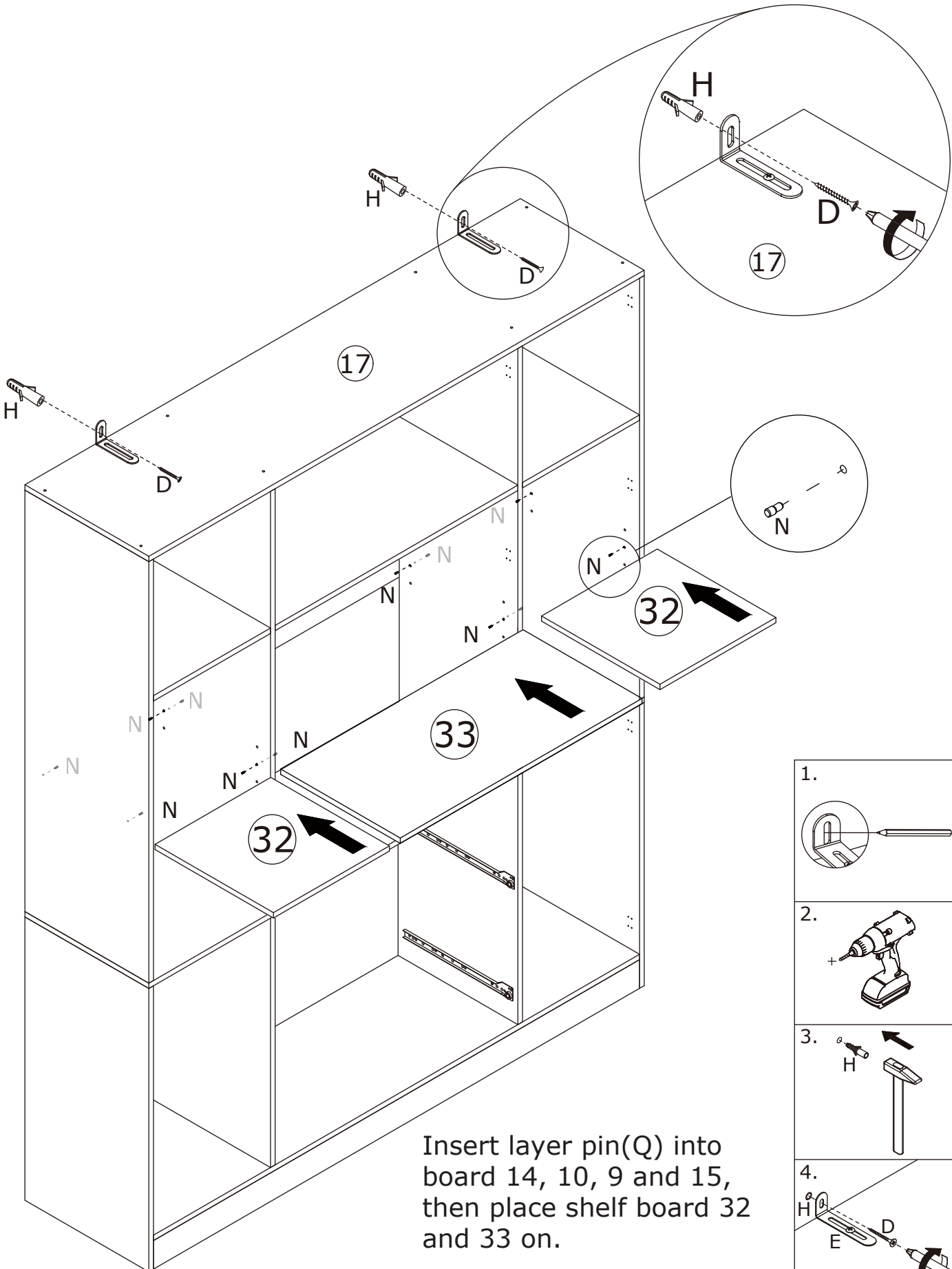
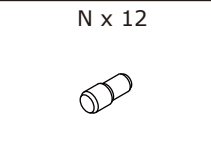
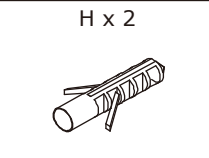
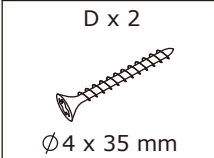
E x 2 	F x 30  Ø3.5 x 14 mm	G x 28 	
--	---	---	---

Insert buckle(G) into back slots and fix with screw(F) as shown.

Fix part(E) to board 17 with screw(F) as shown.



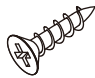
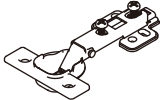


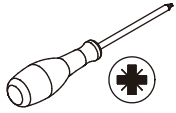
25



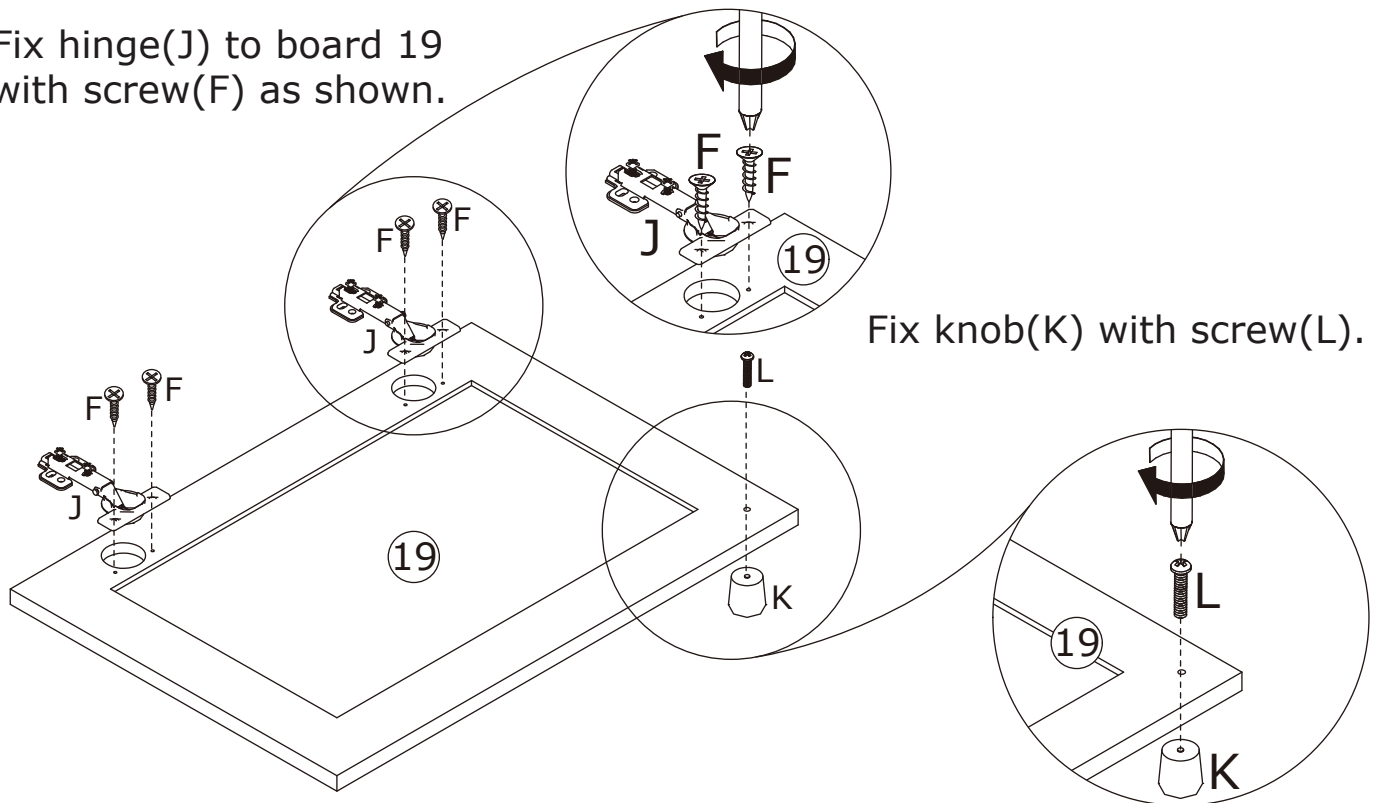
- 1.
- 2.
- 3.
- 4.

Insert layer pin(Q) into board 14, 10, 9 and 15, then place shelf board 32 and 33 on.

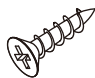
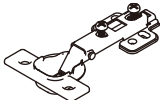


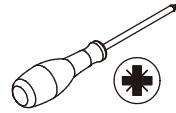
26

F x 4  Ø3.5 x 14 mm	J x 2 	K x 1 	L x 1 	
--	--	--	---	---

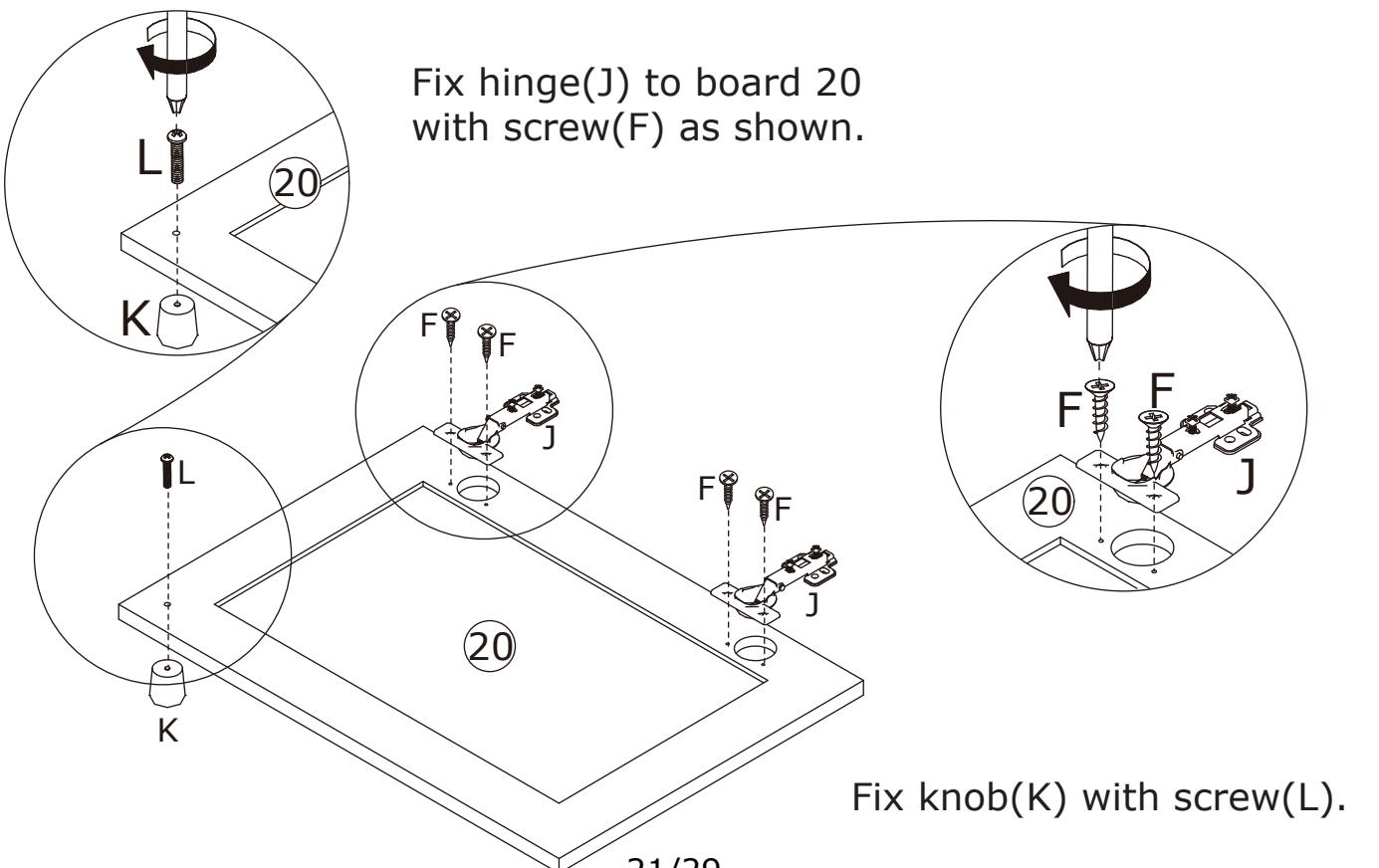
Fix hinge(J) to board 19 with screw(F) as shown.



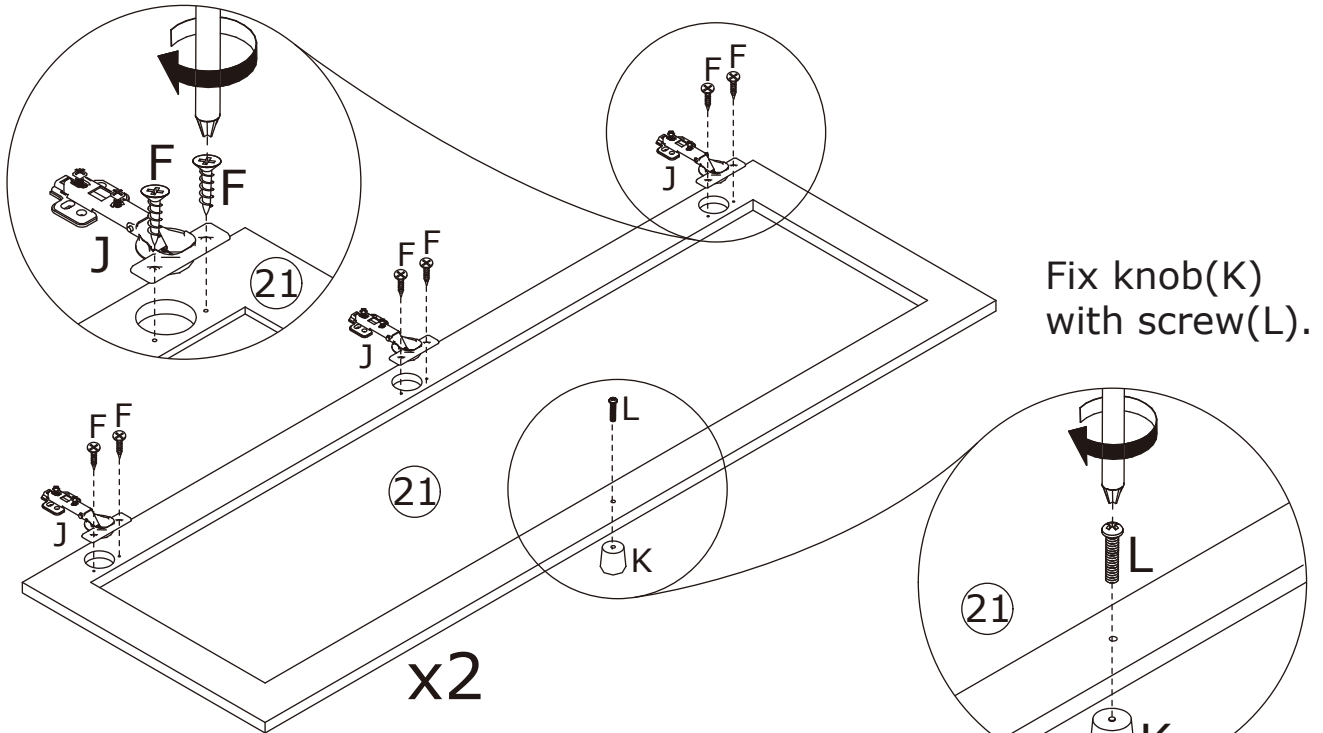
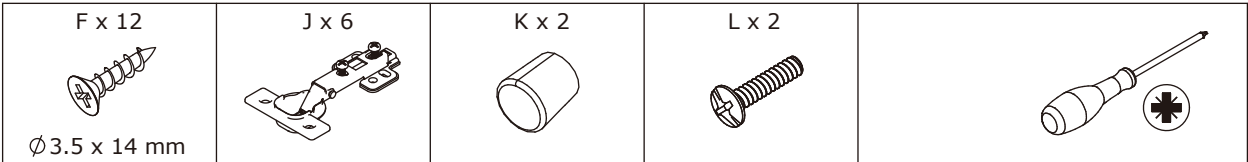
27

F x 4  Ø3.5 x 14 mm	J x 2 	K x 1 	L x 1 	
--	--	--	---	---

Fix hinge(J) to board 20 with screw(F) as shown.

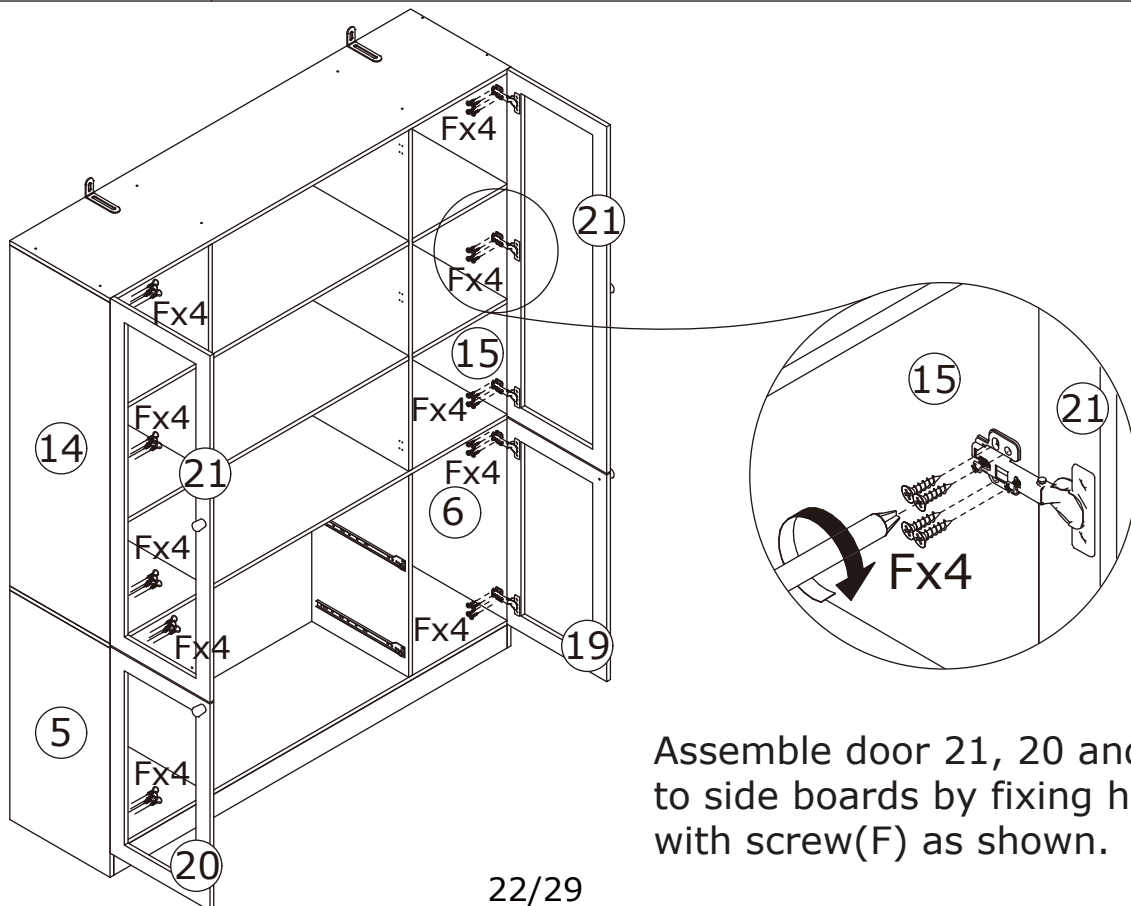


28



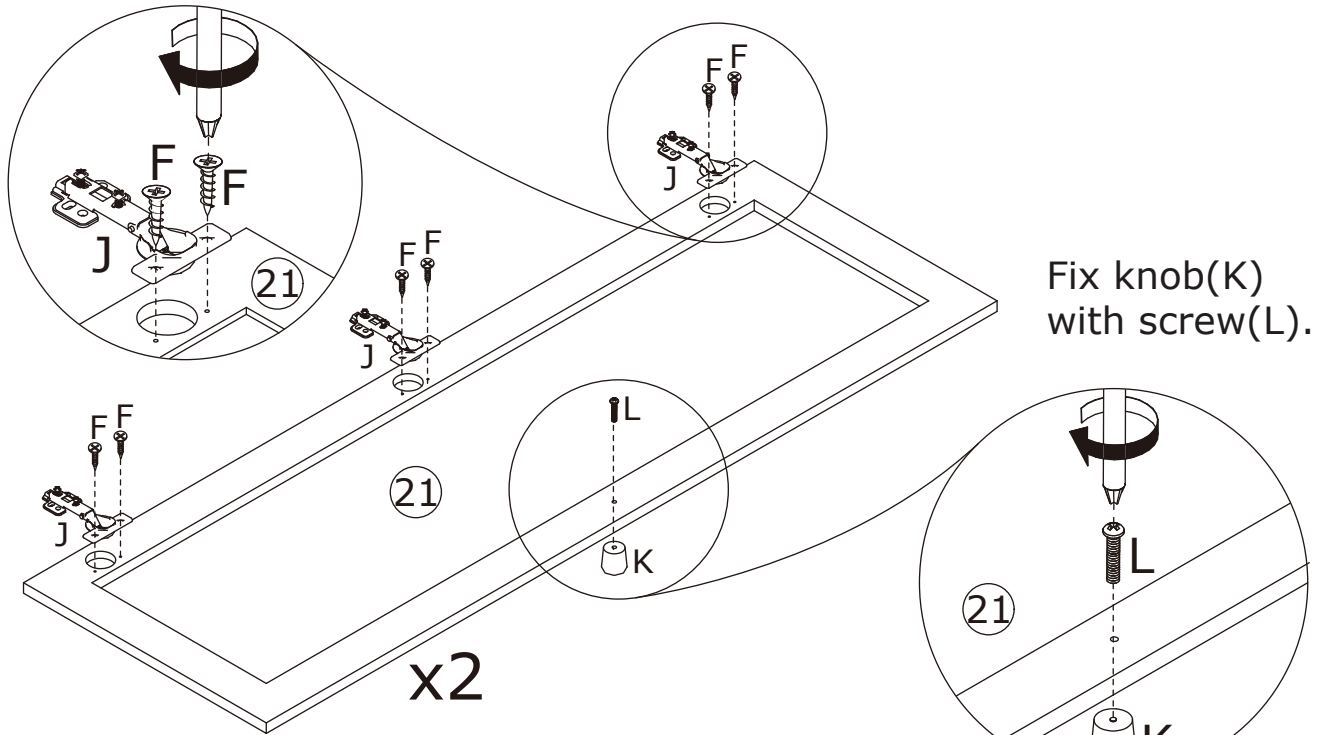
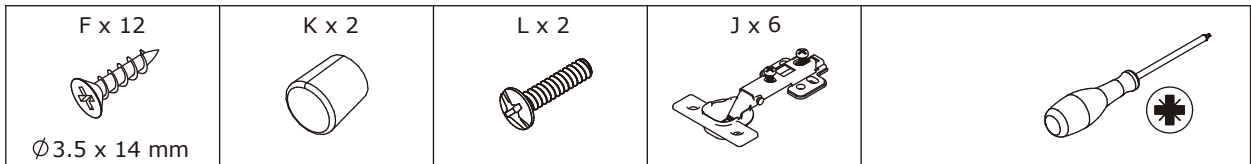
Fix hinge(J) to board 21 with screw(F) as shown.

29



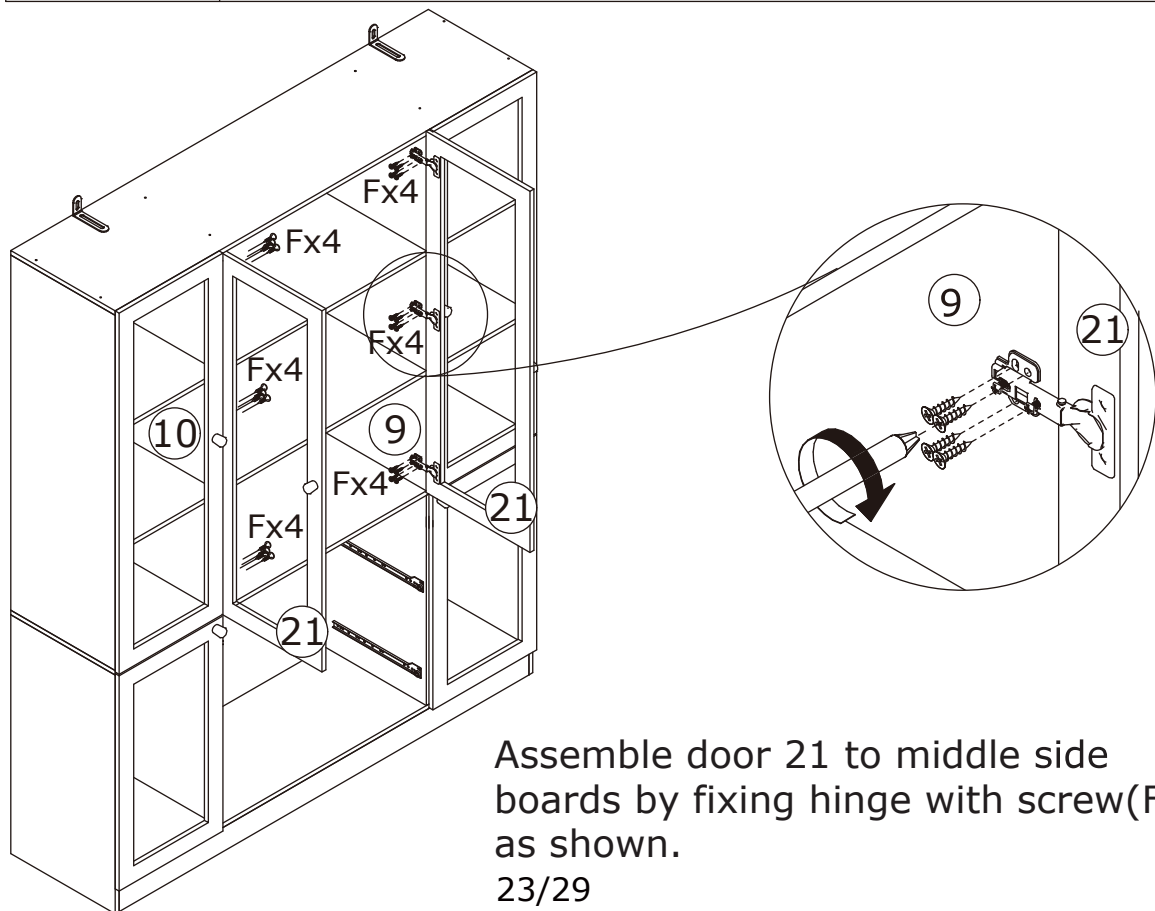
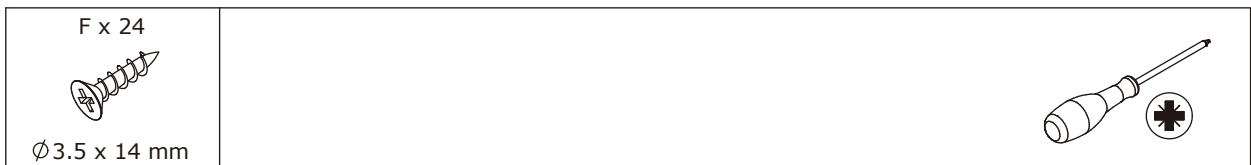
Assemble door 21, 20 and 19 to side boards by fixing hinge with screw(F) as shown.

30



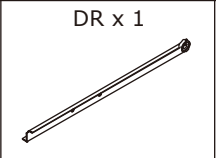
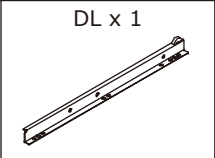
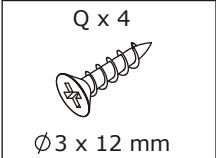
Fix hinge(J) to board 21 with screw(F) as shown.

31

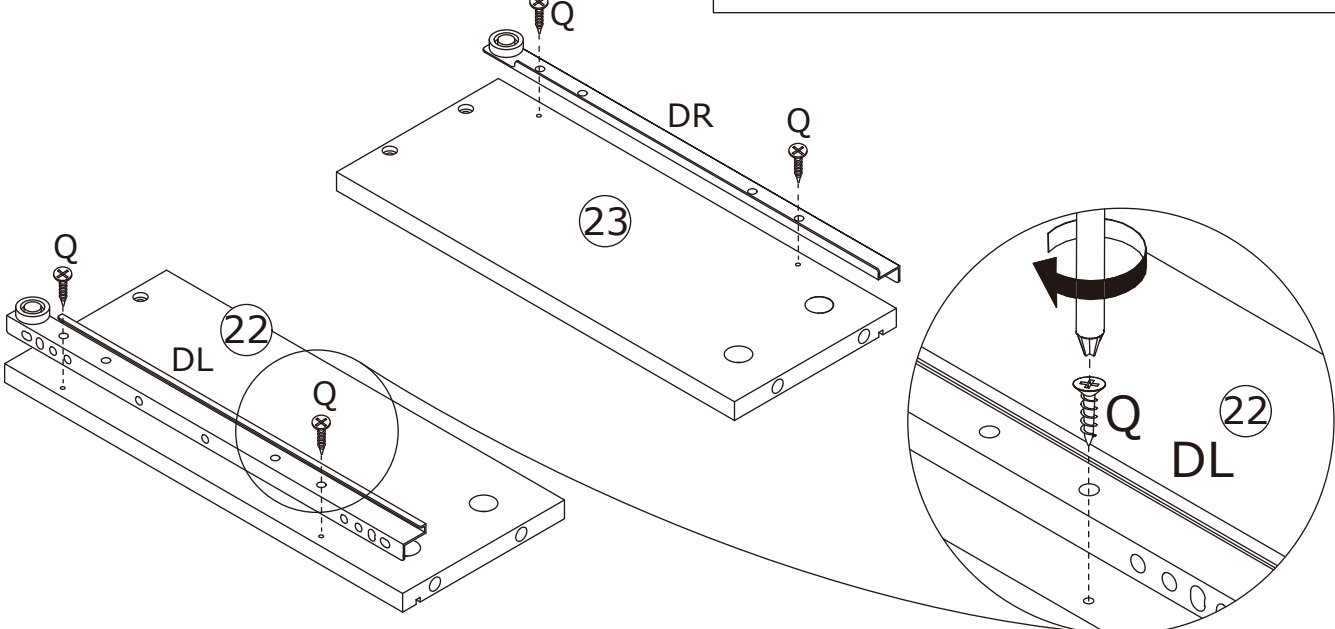


Assemble door 21 to middle side boards by fixing hinge with screw(F) as shown.

32



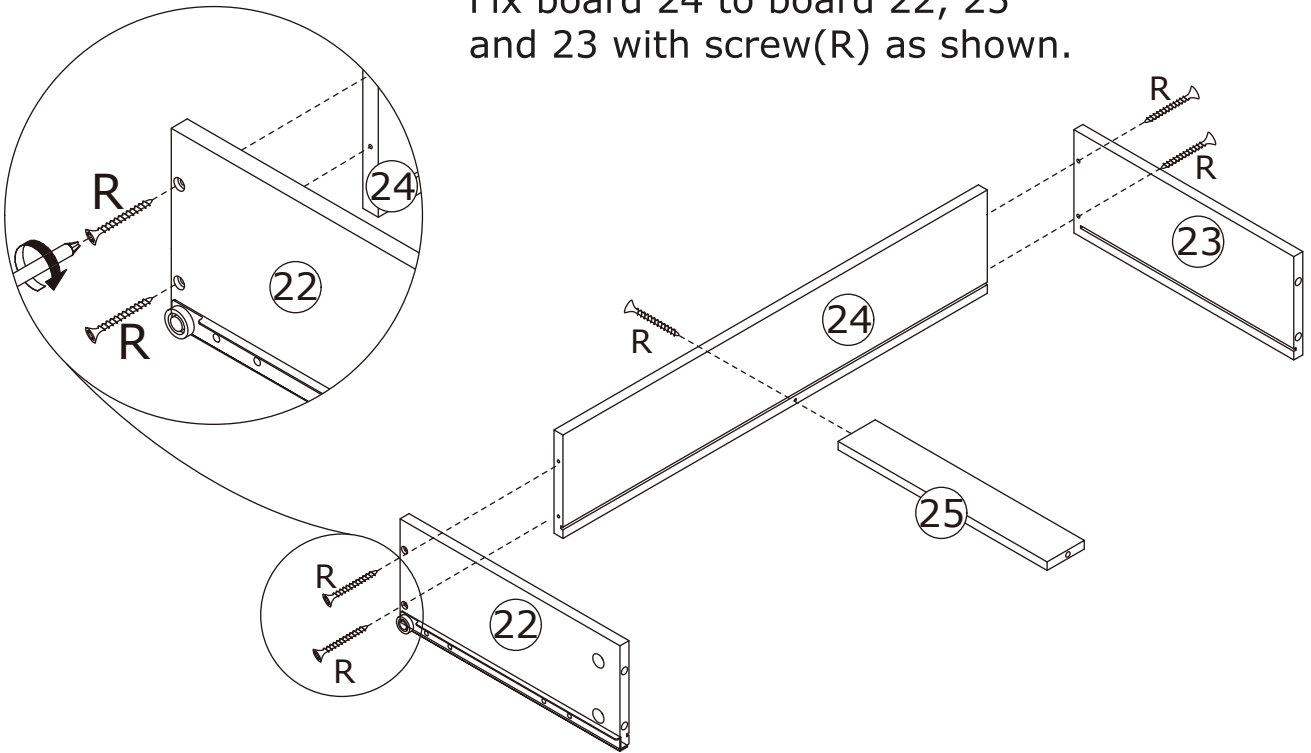
Fix track(DL) and (DR) to board 22 and 23 with screw(Q) as shown.



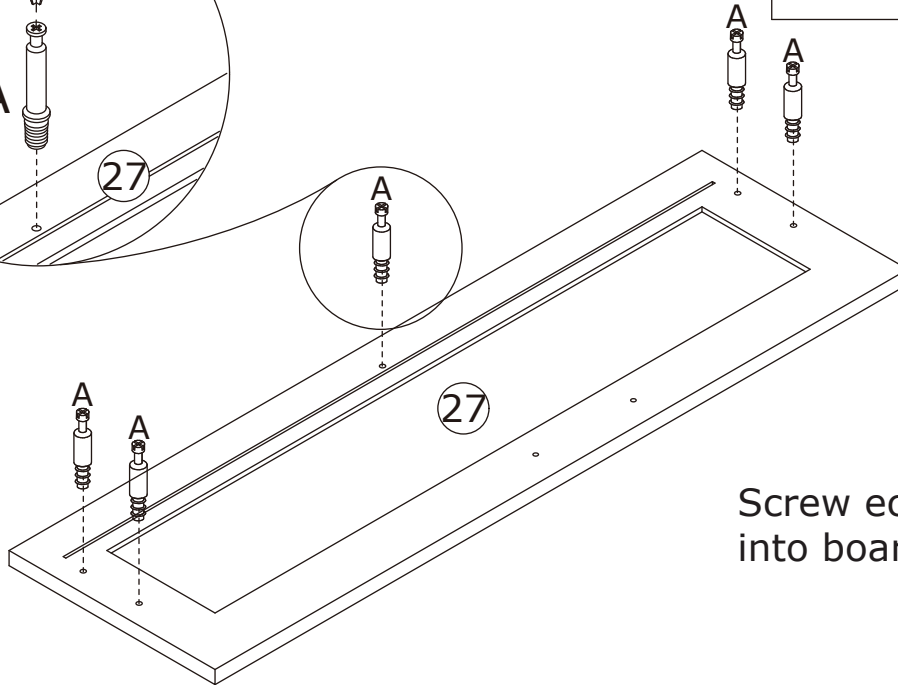
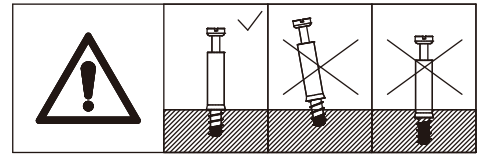
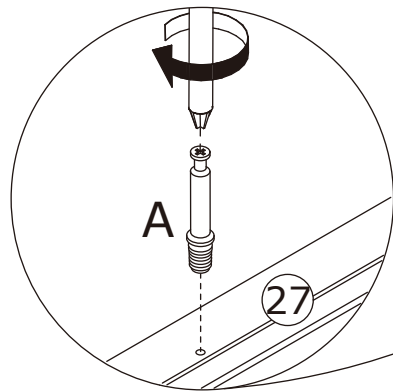
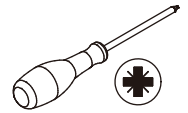
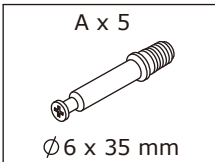
33



Fix board 24 to board 22, 25 and 23 with screw(R) as shown.

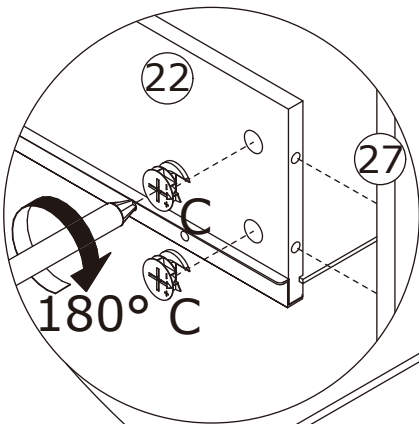
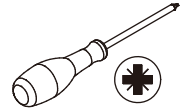
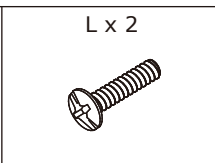
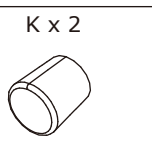
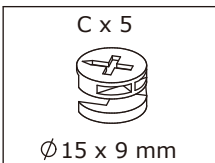


34

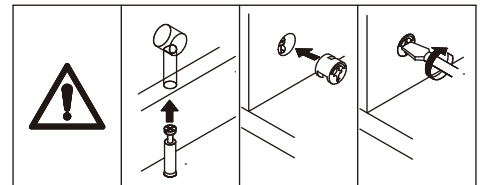


Screw eccentric rod(A) into board 27.

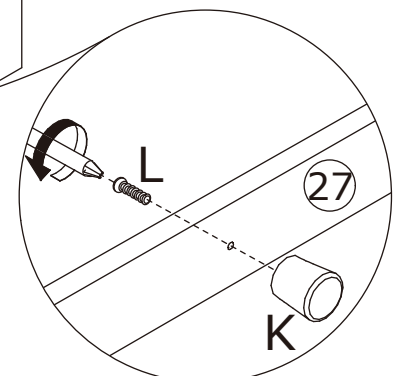
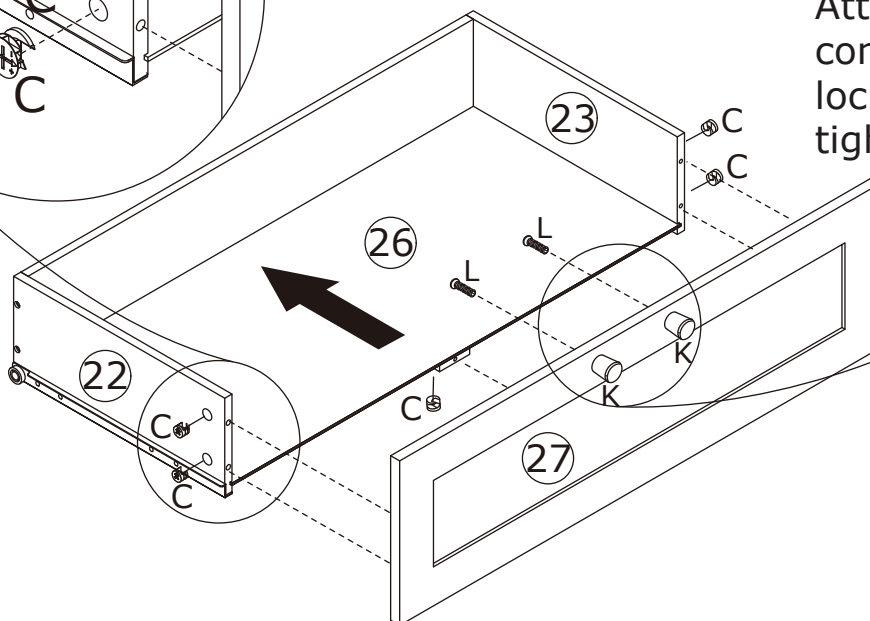
35



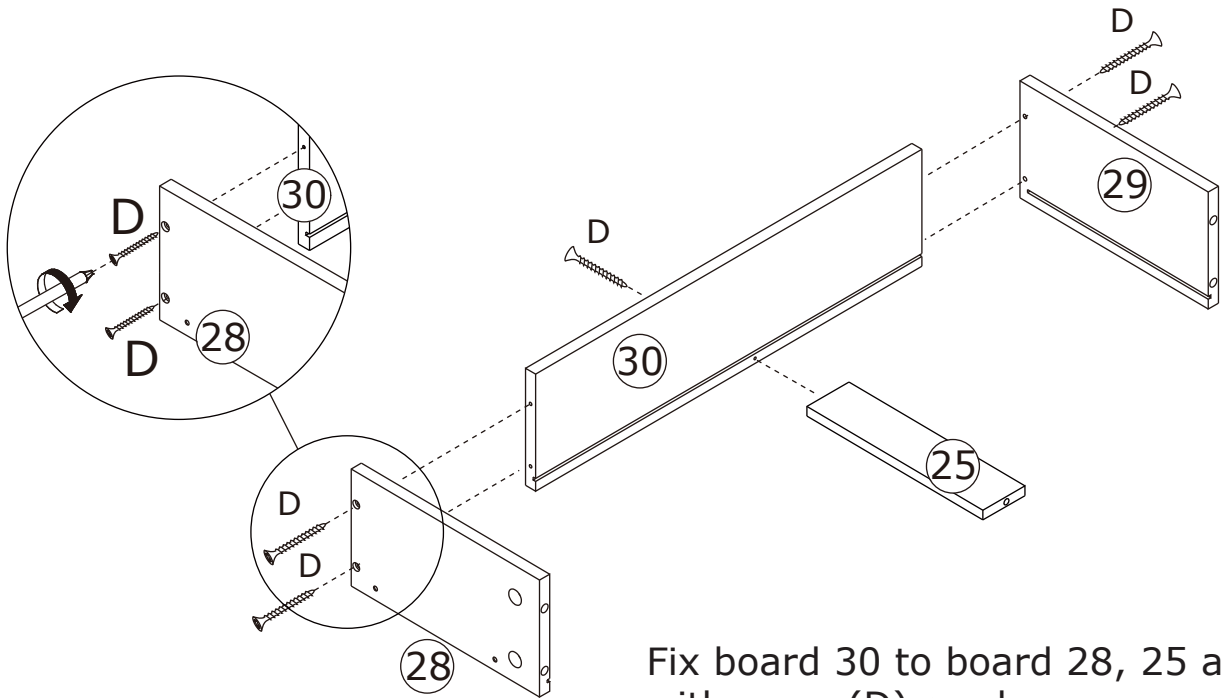
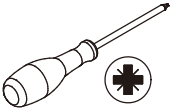
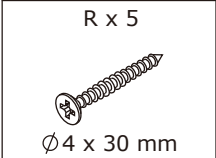
Insert board 26 along grooves as shown.



Attach board 27 to the component, turn cam lock(C) clockwise to tighten as shown.

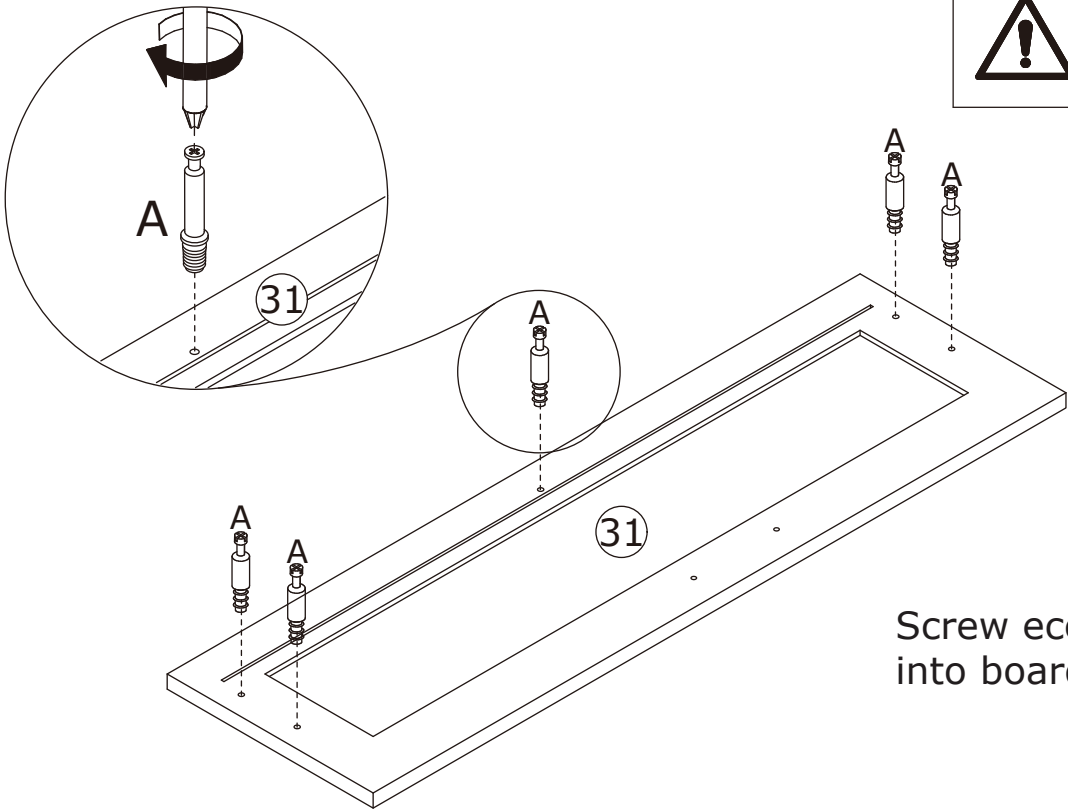
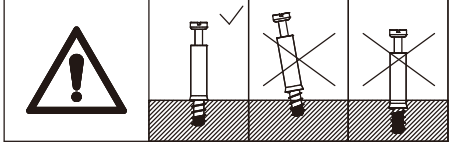
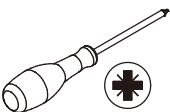
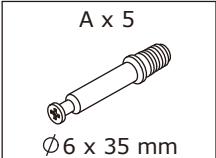


36



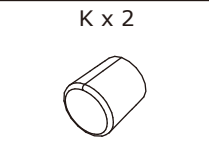
Fix board 30 to board 28, 25 and 29 with screw(D) as shown.

37



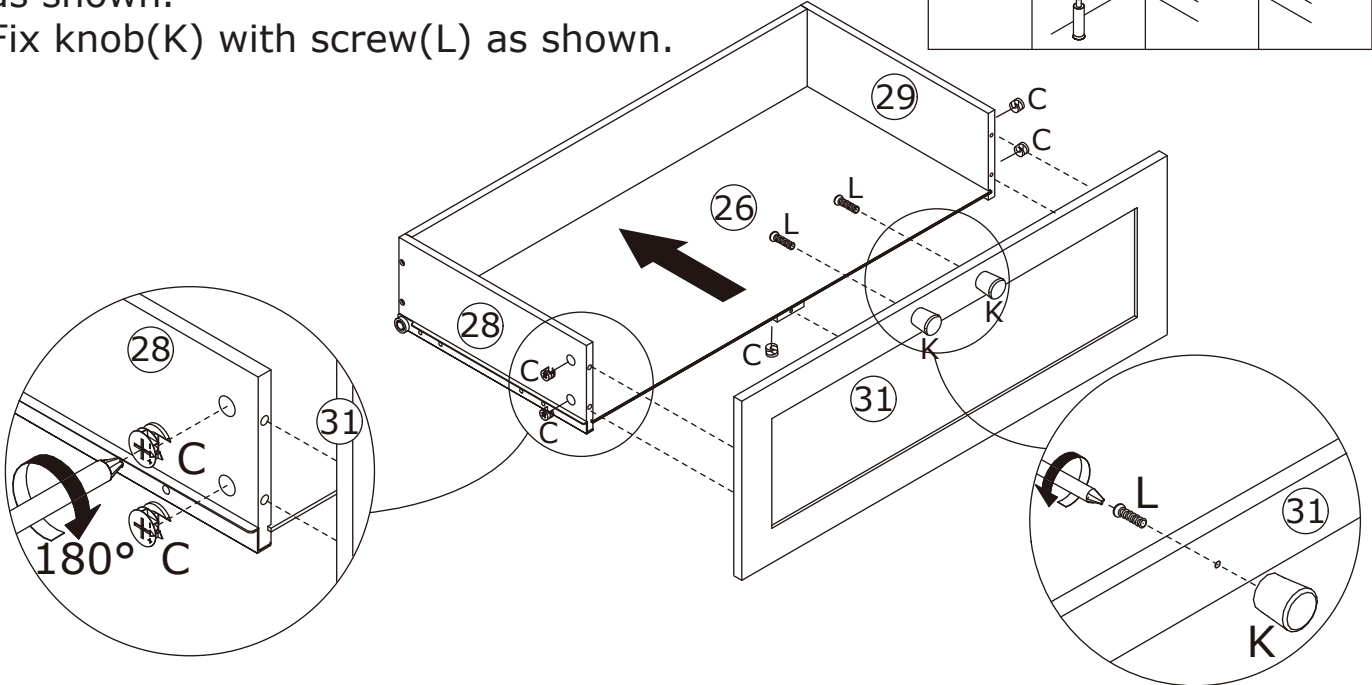
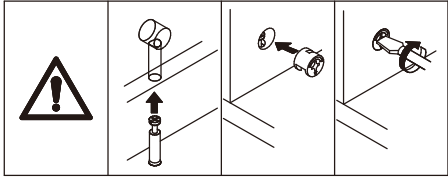
Screw eccentric rod(A) into board 31.

38

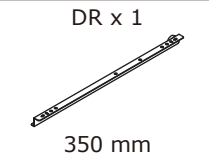
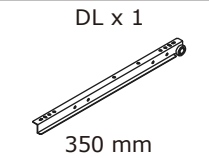
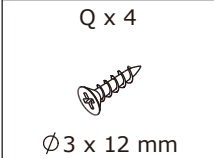


Attach board 31 to the drawer component, add cam lock(C) into and turn clockwise to tighten as shown.

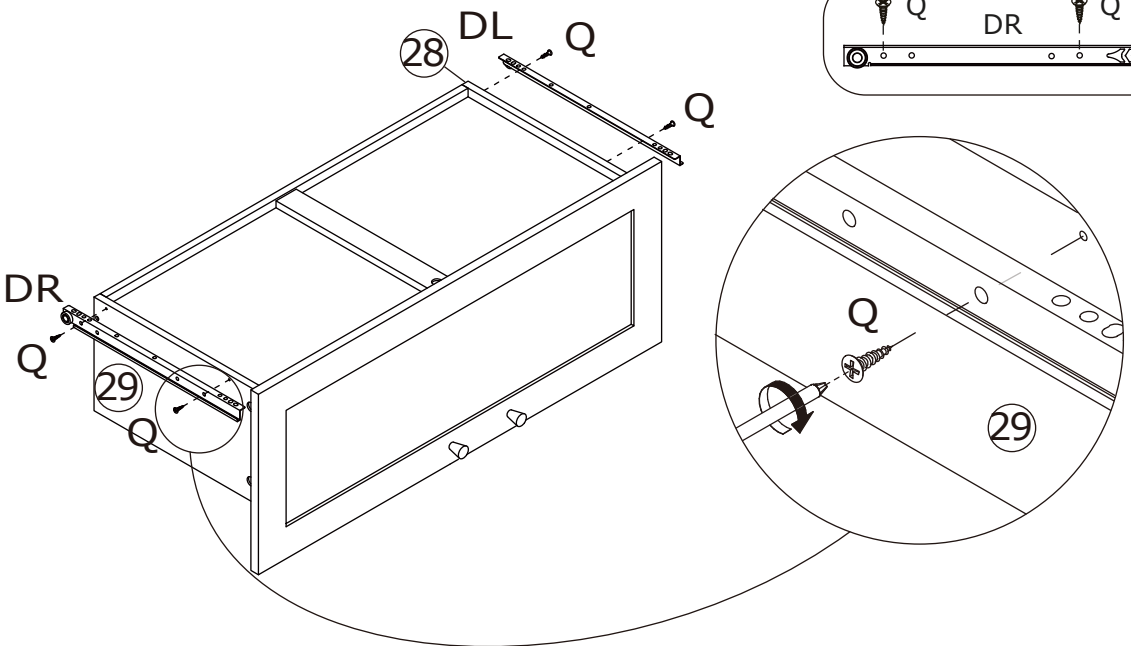
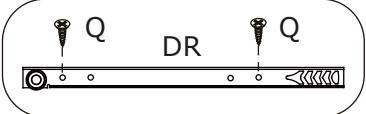
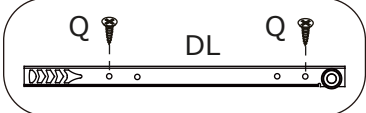
Fix knob(K) with screw(L) as shown.



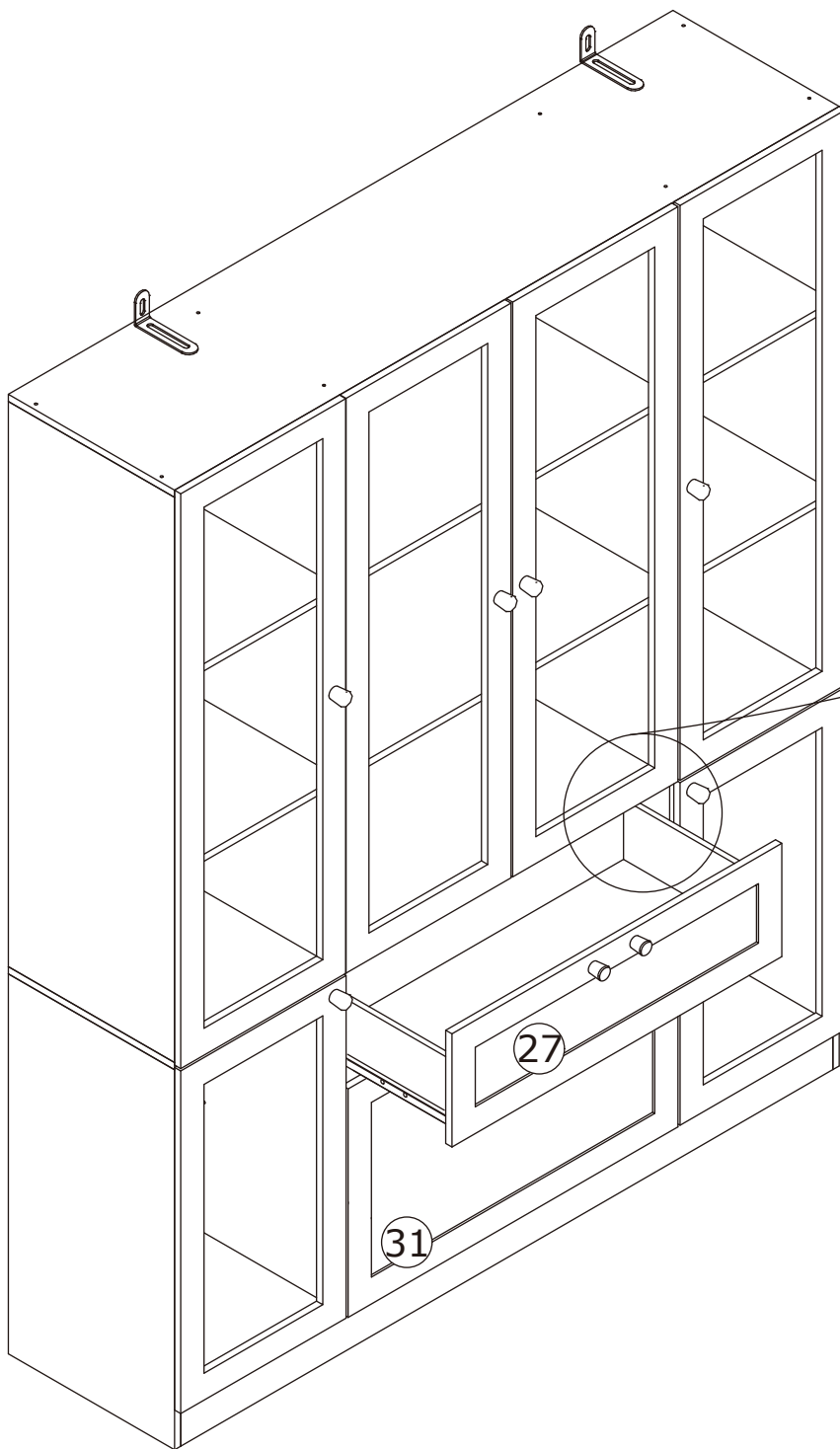
39



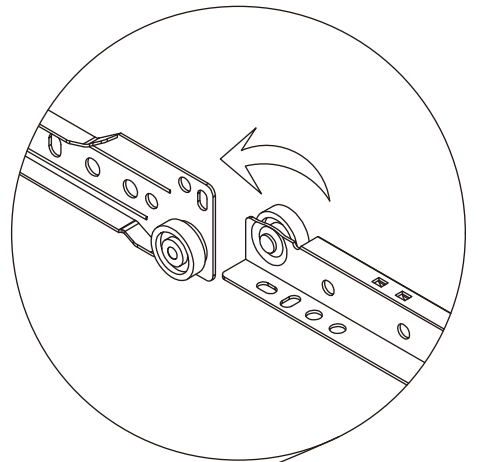
Fix track(DL) and (DR) to board 28 and 29 with screw(Q) as shown.

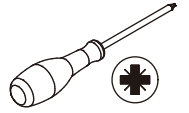


40

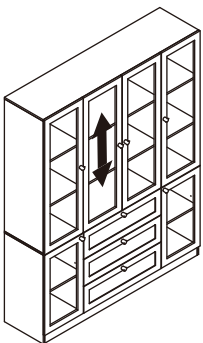
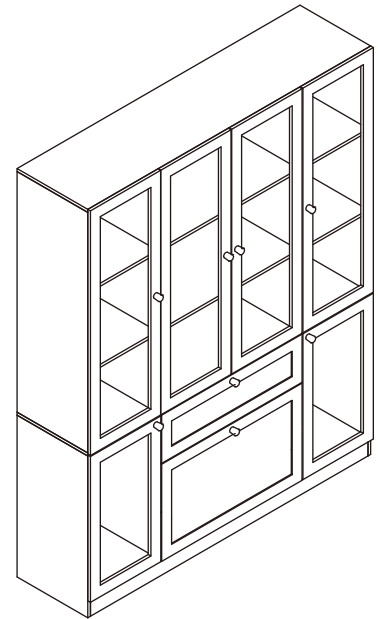


Insert drawers in.

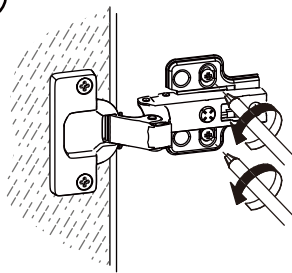




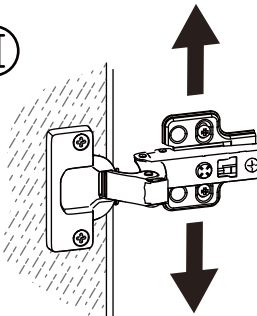
If there is misalignment after you install, adjust the screw to the best condition



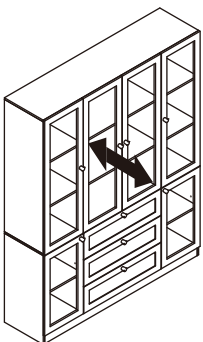
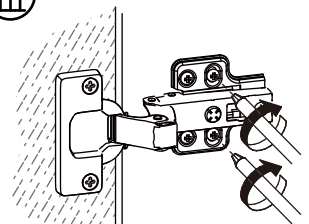
①



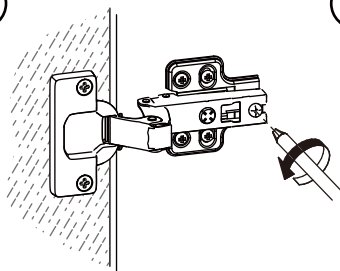
②



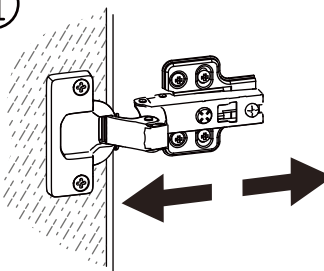
③



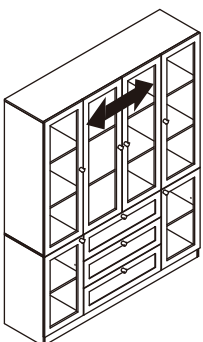
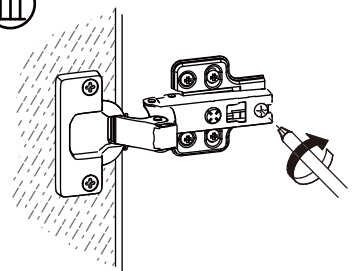
①



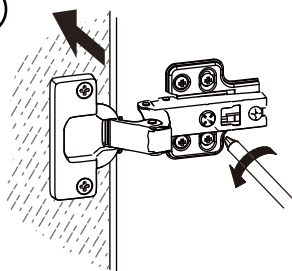
②



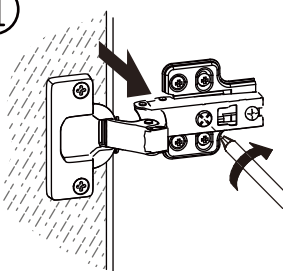
③



①



②



# WARRANTY

## WARRANTY CLAIMS

- There is a 30-day warranty for broken furniture or any other problems that do not work properly. The warranty will start from the date of purchase which must be verified by proof of purchase.
- Before making a claim, we may be able to answer your query, simply call us. Please leave your purchase order number, along with some details of the problem, if you want a replacement part. We will arrange within 48 hours. If there is out of stock, we will reply with a shipping date.
- The product must be used in accordance with the instructions provided. For health reasons.
- For other reasons, if the furniture needs to be returned, it must be cleaned and dried and operated within 30 days of receipt.

## Type of Warranty Claim

- Failure to follow the furniture instructions will invalidate the warranty. Attention please.
- Does not include damage during installation, but includes damage during transportation.

## Scope of responsibility

- Shall not bear any responsibility for misuse or user damage and / or loss of parts during the installation of furniture.
- After using, the damage and scratches of the furniture are not covered by the warranty.

## The Warranty Relates to All Bought in The Us and Covers The Following Areas

- Sheet parts: 1 month from the date of purchase.
- Electrical parts: 1 month from the date of purchase.