

ASSEMBLY INSTRUCTIONS

PLEASE KEEP THIS FOR FUTURE REFERENCE

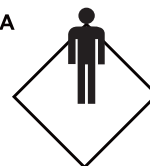
1.0 hr

APPROXIMATE ASSEMBLY TIME

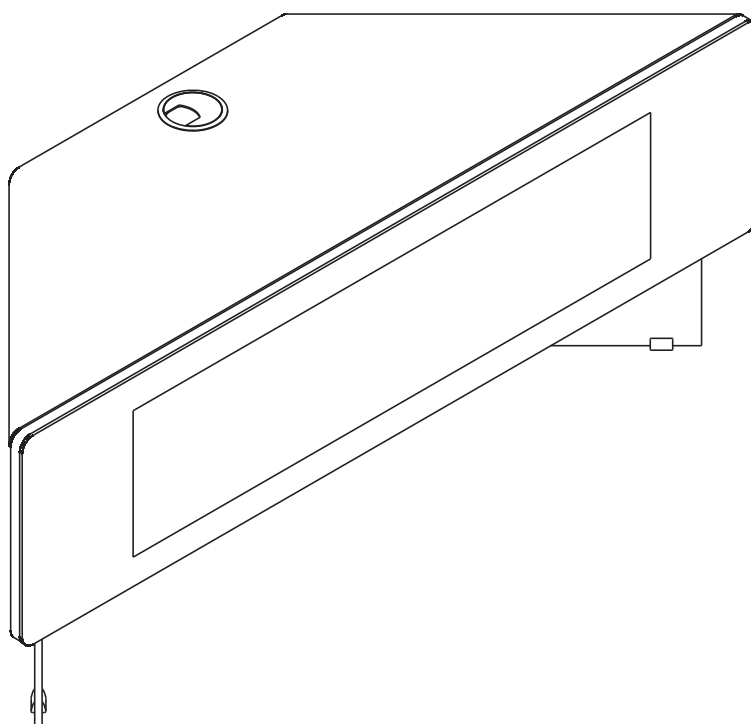


2 PERSON ASSEMBLY

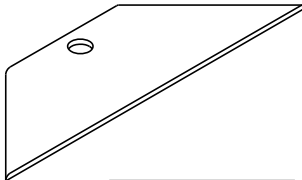

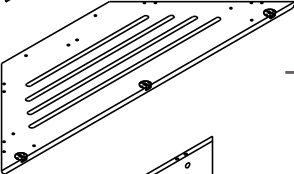
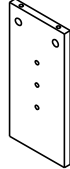
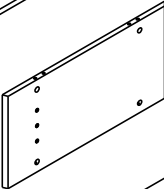

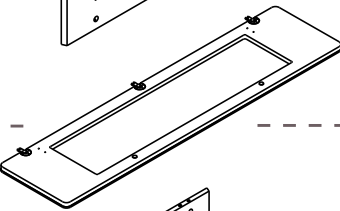
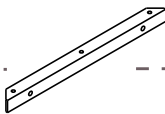
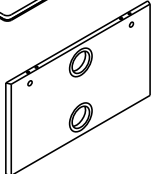
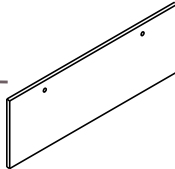
FLOOR AREA
2.0M X2.0M







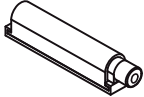






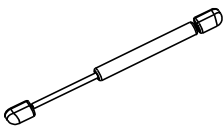



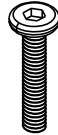


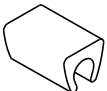


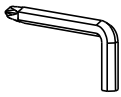
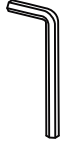
REQUIRED ASSEMBLY SPACE



Parts List

- | | | | | | |
|----------|------------------------------------------------------------------------------------|-------------------------|-----------|--------------------------------------------------------------------------------------|--------------------------------|
| 1 |  | --- Top Panel x1 | 6 |  | --- LH Inner Panel x1 |
| 2 |  | --- Base Panel x1 | 7 |  | --- RH Inner Panel x1 |
| 3 |  | --- Outer Side Panel x2 | 8 |  | --- Glass Shelf x1 |
| 4 |  | --- Door Assembly x1 | 9 |  | --- Glass Leg Support Brace x2 |
| 5 |  | --- Back Panel x1 | 10 |  | --- Glass Leg x2 |

FIXINGS IDENTIFICATION

- | | | | | | | | |
|-------------------------------------------------------------------------------------|-------------------------------------------------------------------------------------|-------------------------------------------------------------------------------------|-------------------------------------------------------------------------------------|--------------------------------------------------------------------------------------|---------------------------------------------------------------------------------------|---------------------------------------------------------------------------------------|---------------------------------------------------------------------------------------|
|  |  |  |  |  |  |  |  |
| x14
A | x10
B | x14
C | x6
D | x2
E | x4
F | x14
G | x4
H |
| CAM PIN | WOODEN DOWEL | CAM LOCK | CONFIRMAT SCREW | MAG CATCH | SCREW | COVER | SHELF CLAMP |
|  |  |  |  |  |  |  |  |
| x10
I | x2
J | x2
K | x2
L | x3
M | x4
N | x10
O | x10
P |
| SCREW | DOOR STAY SIDE PLATE | DOOR STAY DOOR PLATE | DOOR STAY | DOOR HINGE SCREW | SLEEVENUT | METAL WASHER | BOLT |
|  |  |  |  |  |  |  | |
| x1
Q | x4
R | x4
S | x4
T | x4
U | x1
V | x1
W | |
| CABLE COVER | SHELF CLAMP SCREW | GLASS LEG FOOT | METAL WASHER | PLASTIC WASHER | 6mm ALLEN KEY SCREWDRIVER | 6mm ALLEN KEY SCREWDRIVER | |

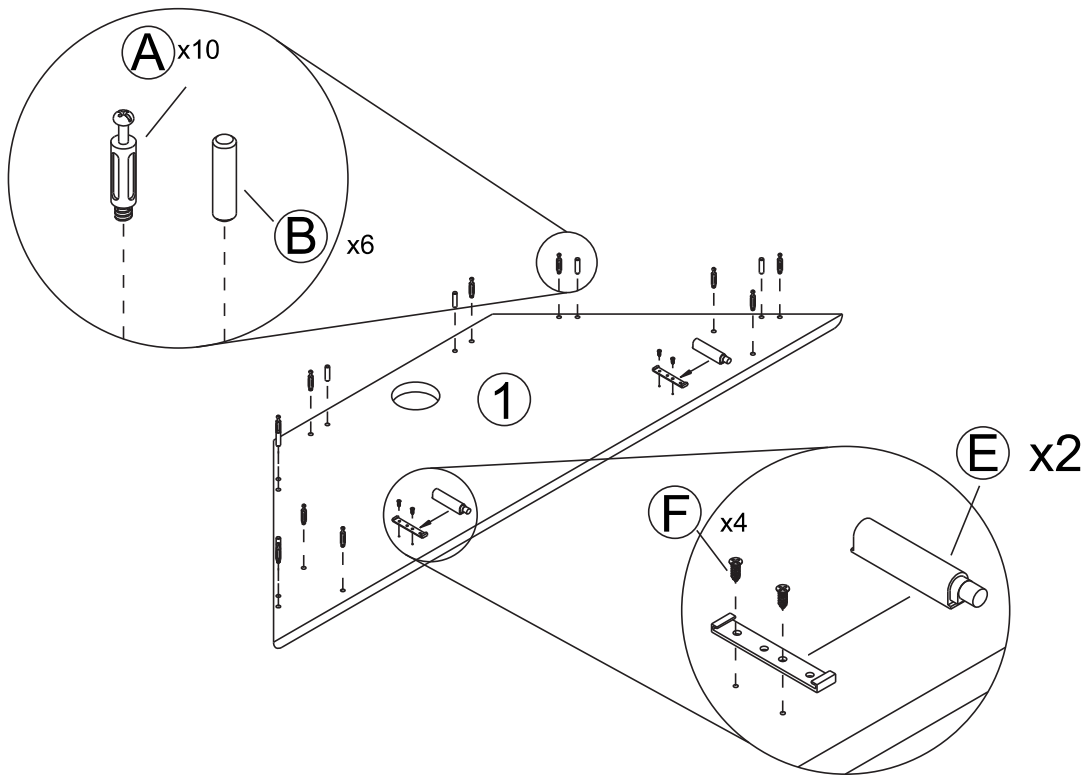
Top Tips before you start!

1. Please check that all parts are present before you start the assembly of your furniture.
2. For ease and speed of assembly, we recommend that before you commence each step of the assembly, that you identify all the parts required for that step.
3. For larger items, please ensure that you have sufficient space and people (as indicated on page 1) to assemble your product safely
4. We recommend that, where possible, all items are assembled near to the area in which they will be placed in use, to avoid moving the product unnecessarily once assembled.
5. For the protection of your furniture, particularly items of high gloss finish, we recommend that the product is placed on a protected surface during assembly to prevent any damage.
6. During assembly please take care not to over-tighten any fittings, as this may damage the product.
7. Do not use power tools to assemble any part of this cabinet.

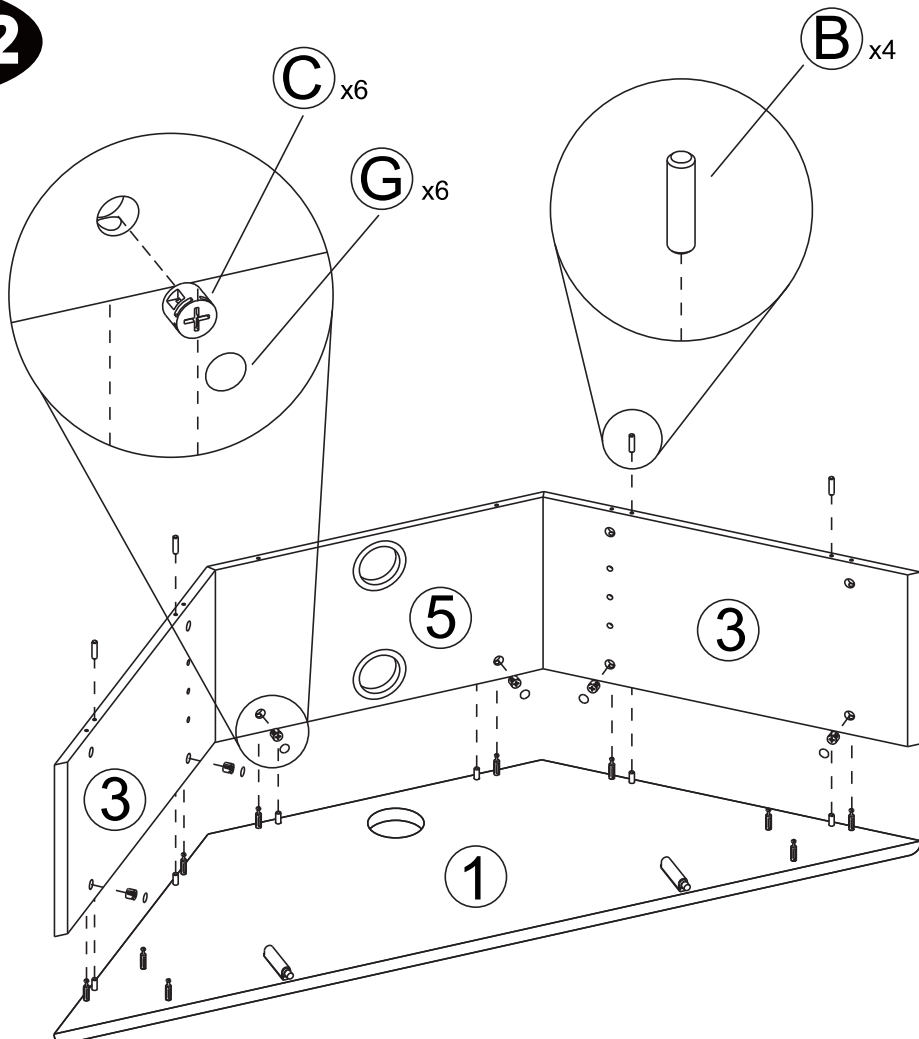
Care and Maintenance of your Furniture

- Please periodically check all fittings and re-tighten as necessary.
- Please do not sit or stand on this item.
- Never allow any kind of liquid to remain on your furniture, Absorption can cause wood to warp or finishes to de-laminate
- Please do not drag and pull your furniture.
- If the glass is chipped or broken, stop using the product and consult the manufacturer or supplier.
- Please do not place very hot or very cold items on the glass surface, unless adequately thick table mats are used to prevent such items from coming into contact with the glass.
- Please do not use the glass as a chopping surface. Do not strike the glass with hard or pointed items.
- When cleaning glass panels use a damp cloth or leather with washing up liquid or soft soap if necessary, do not use washing powders or any other substances containing abrasives since these substances scratch glass.

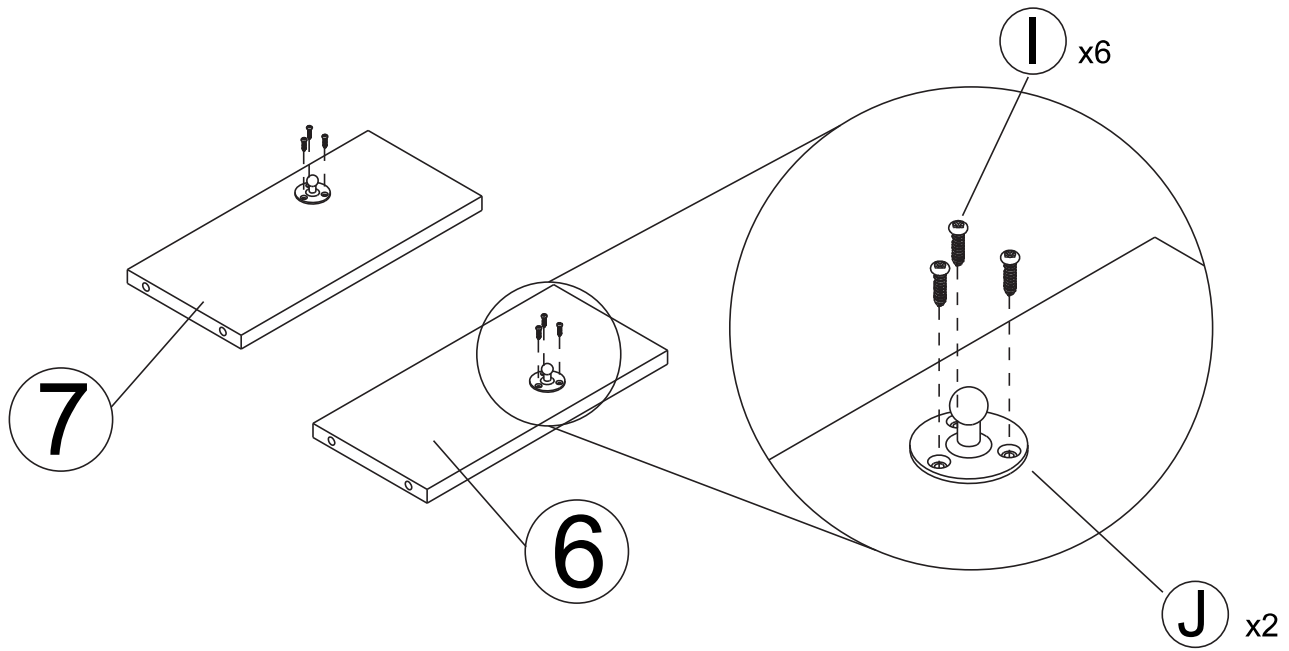
STEP 1



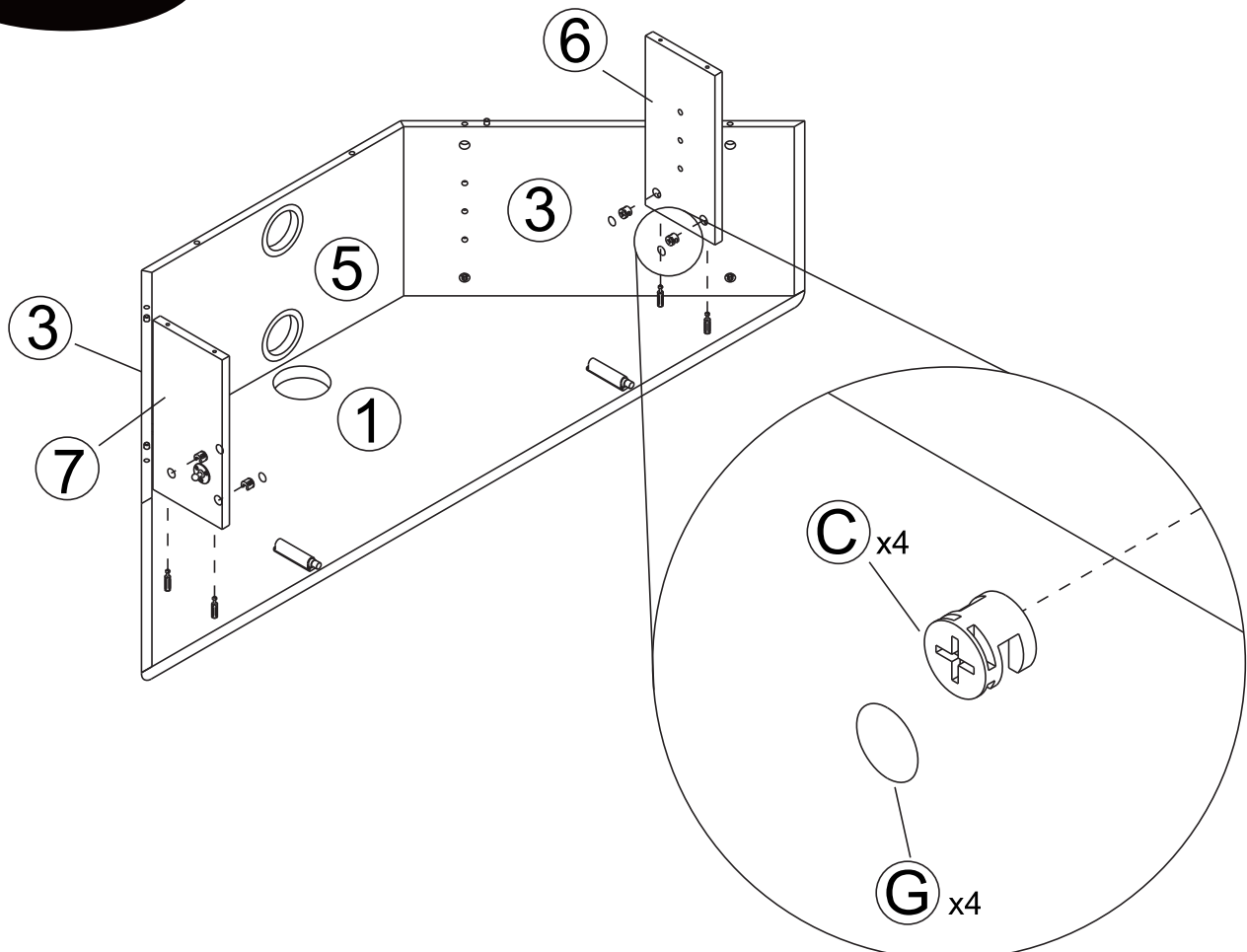
STEP 2



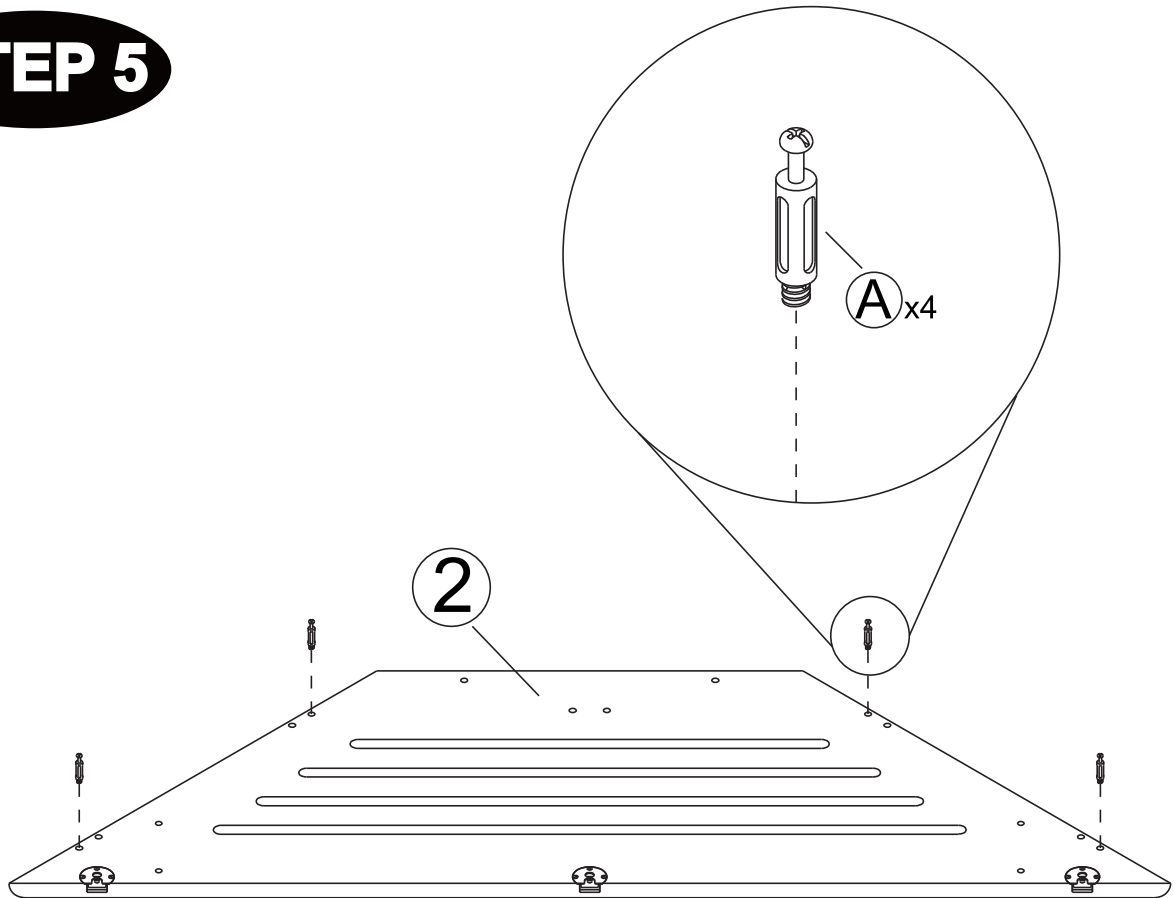
STEP 3



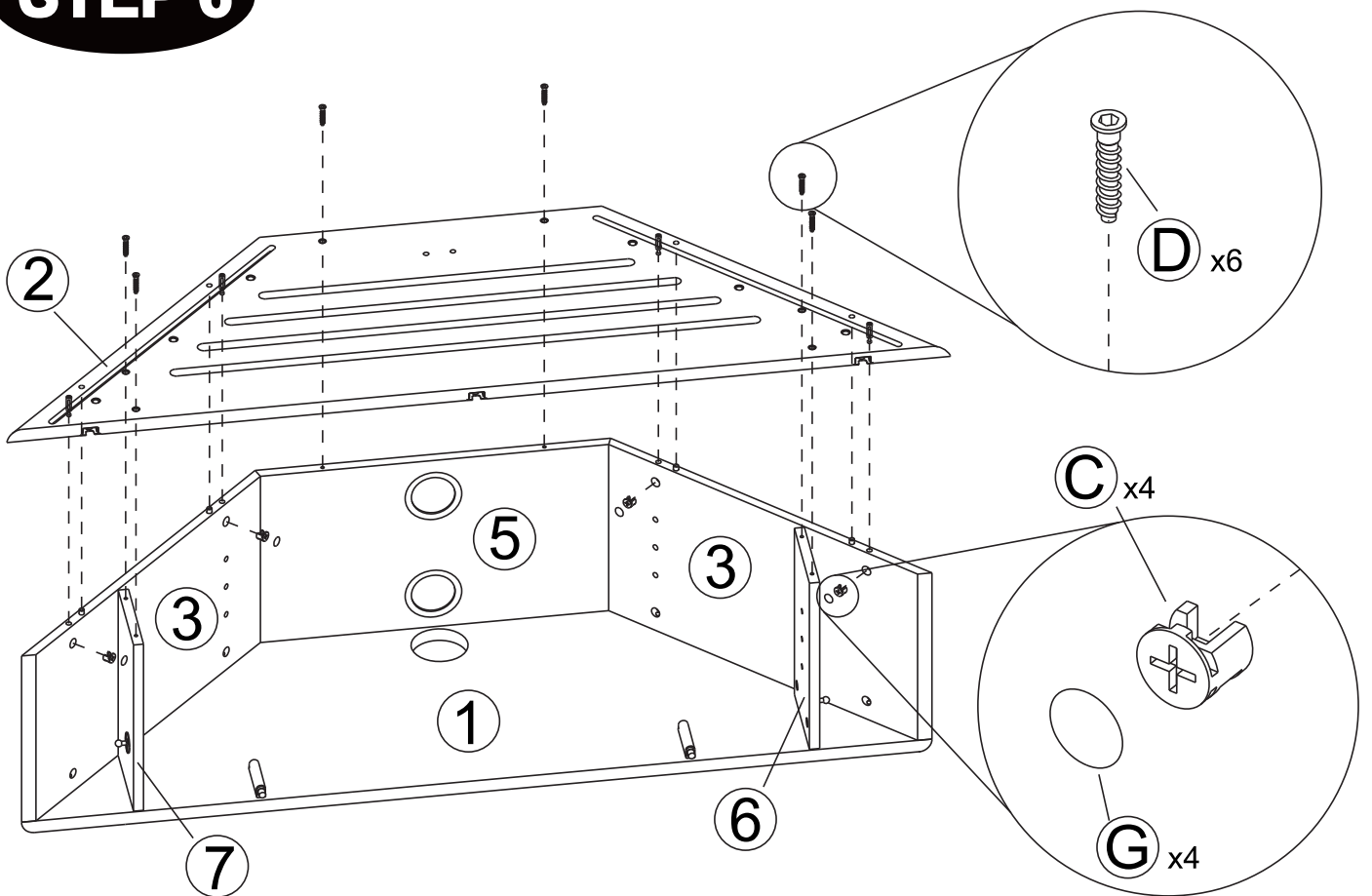
STEP 4



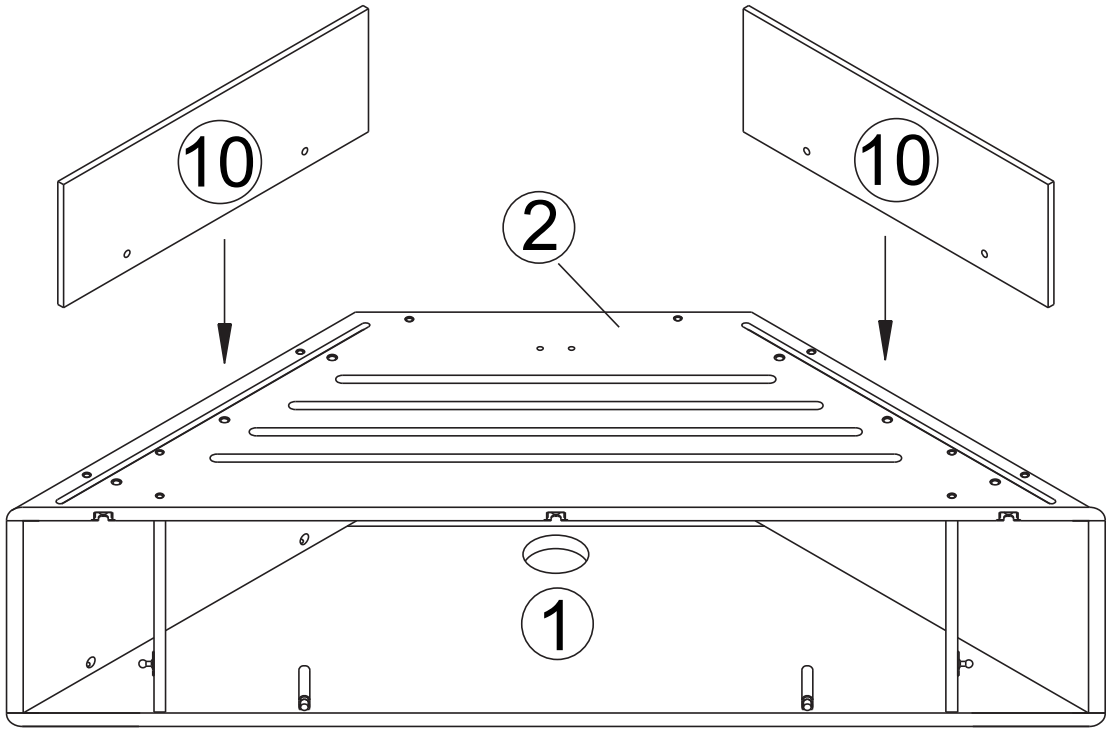
STEP 5



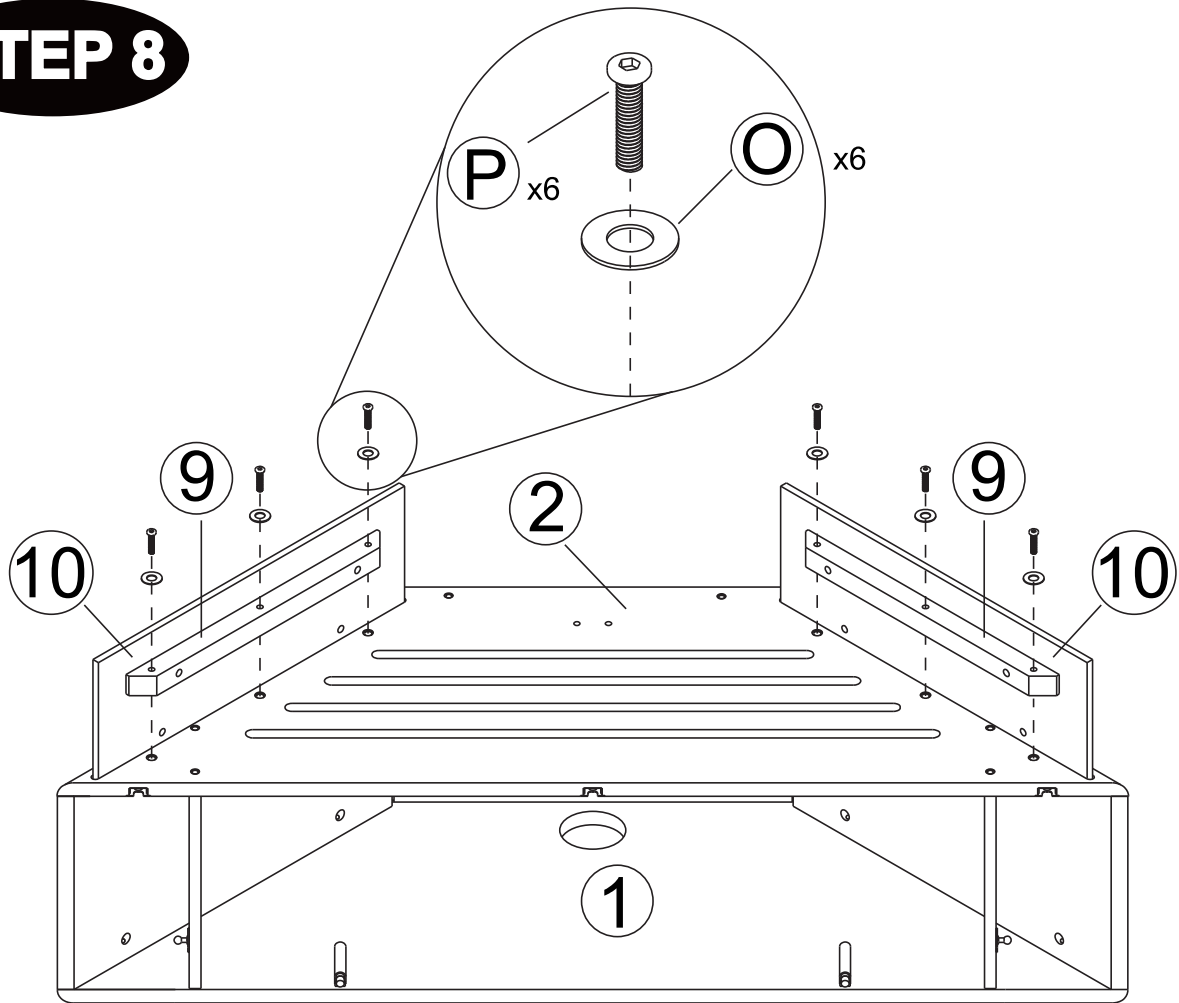
STEP 6



STEP 7

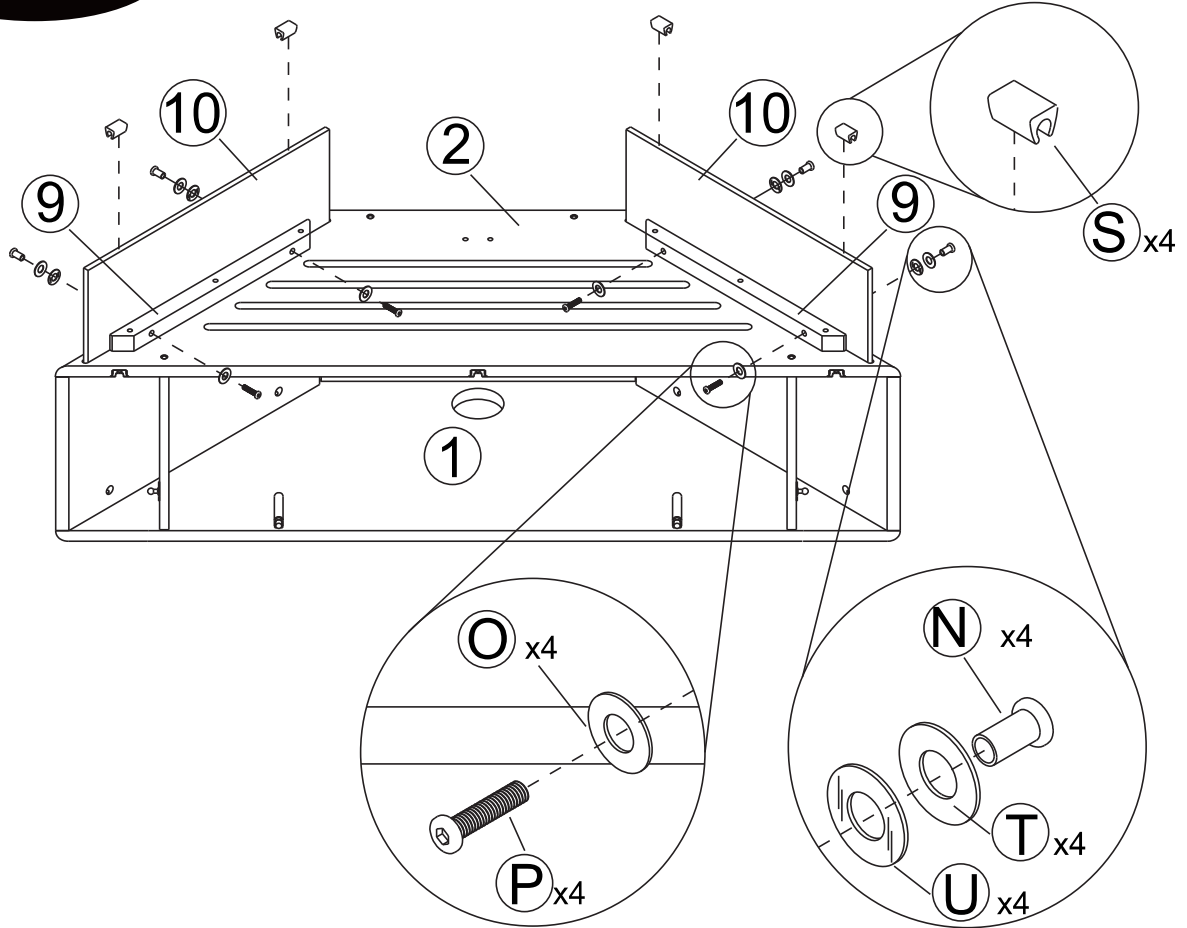


STEP 8

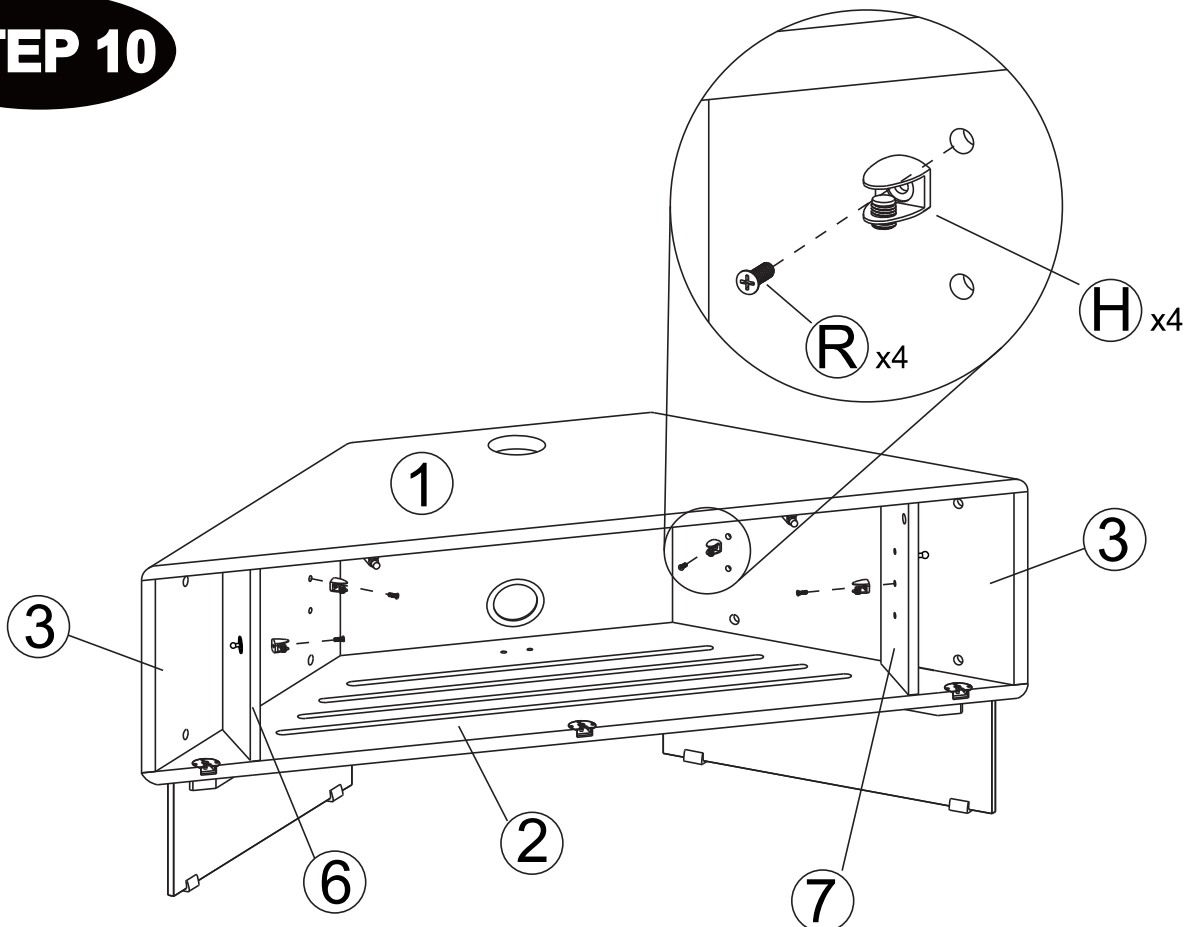


STEP 9

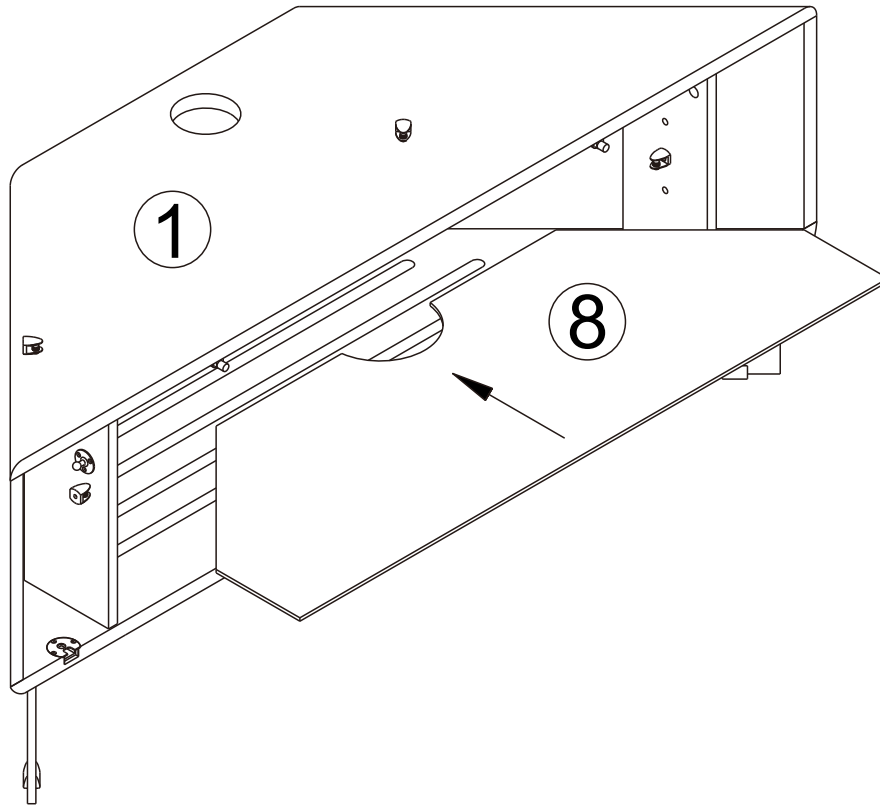
NOTE : GLASS LEG FEET (PART S)
MUST BE FITTED TO ENSURE SAFETY
ON ALL FLOOR TYPES



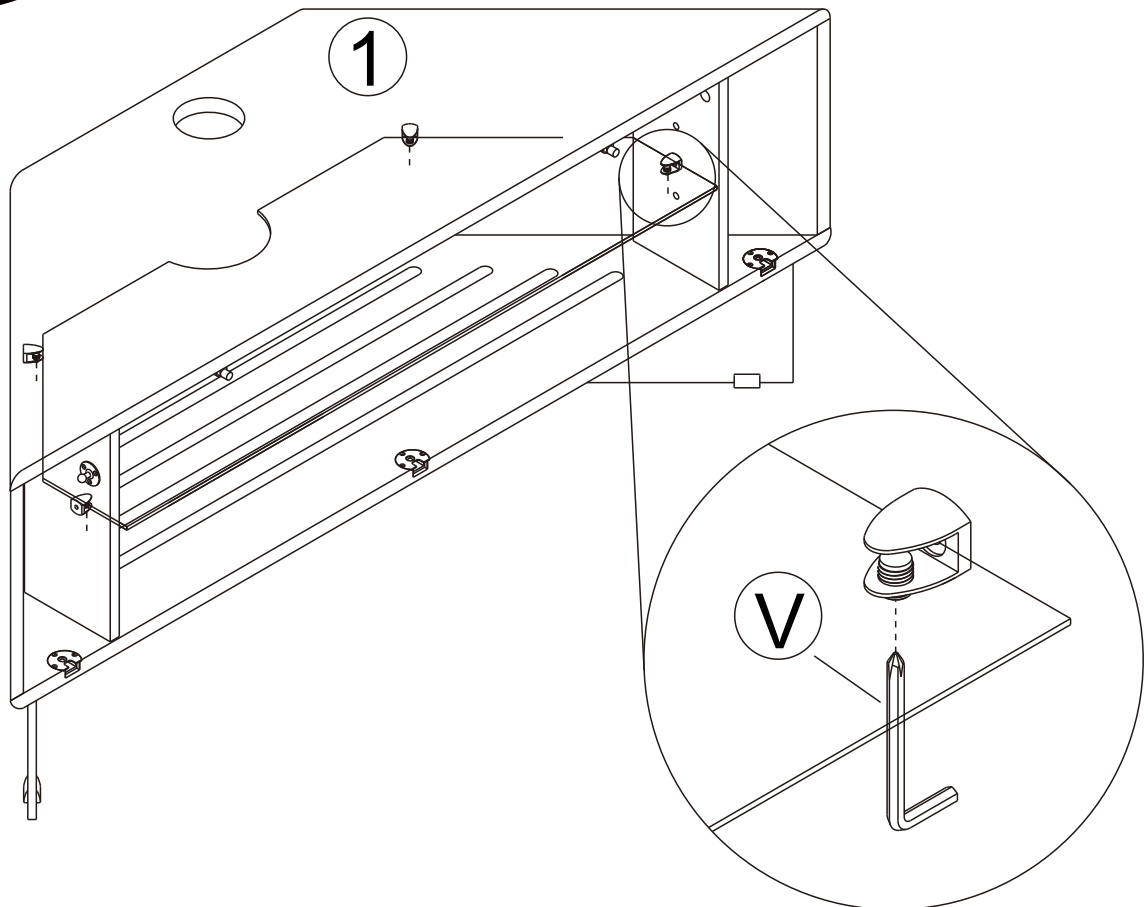
STEP 10



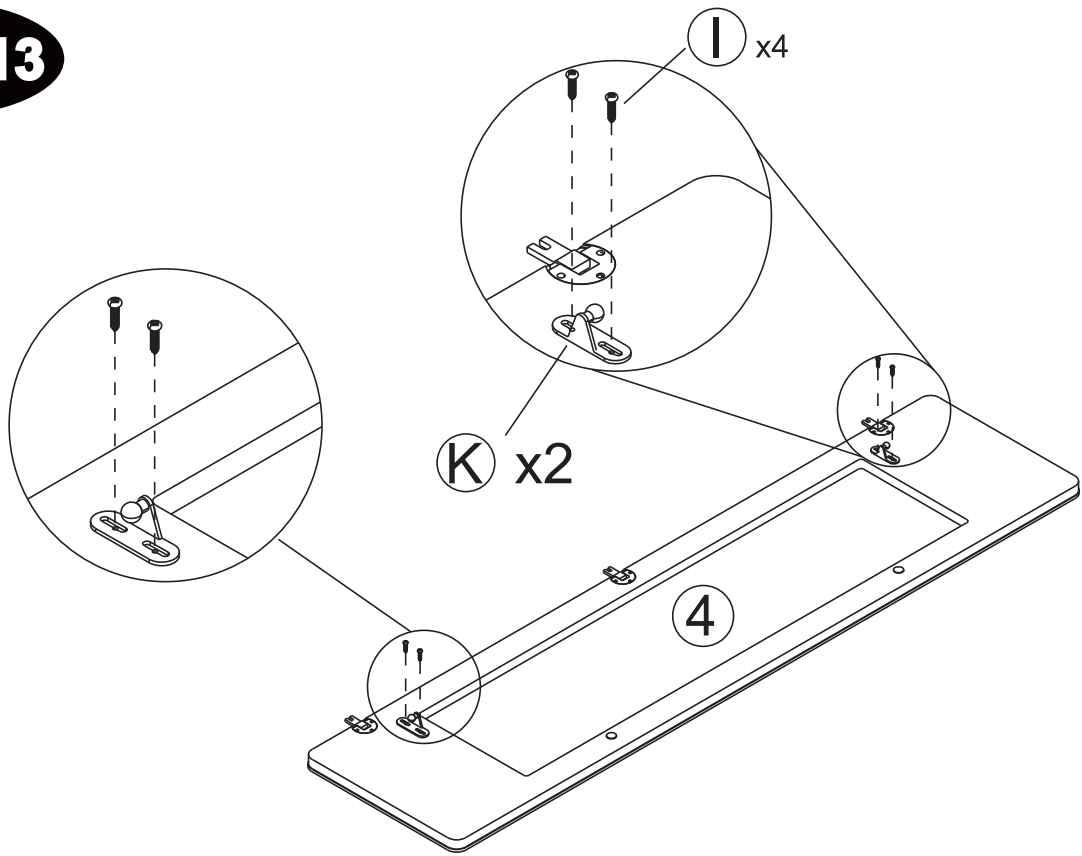
STEP 11



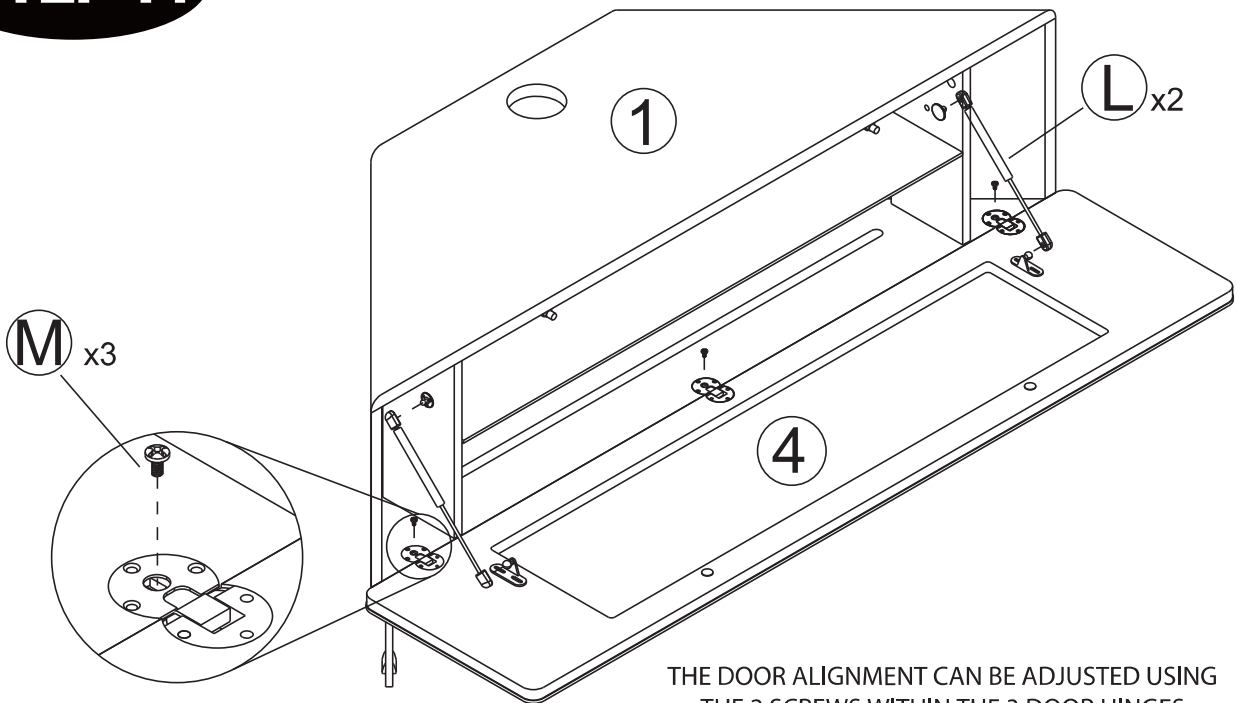
STEP 12



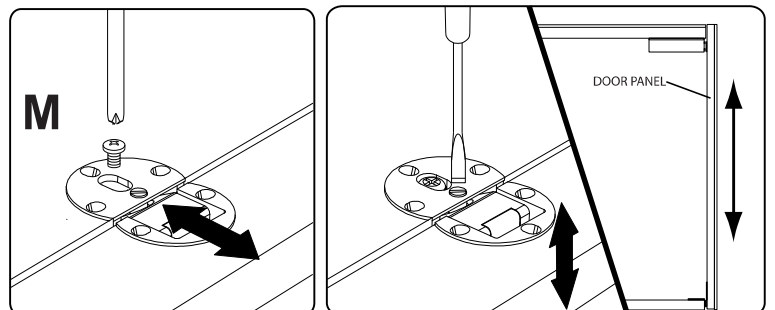
STEP 13



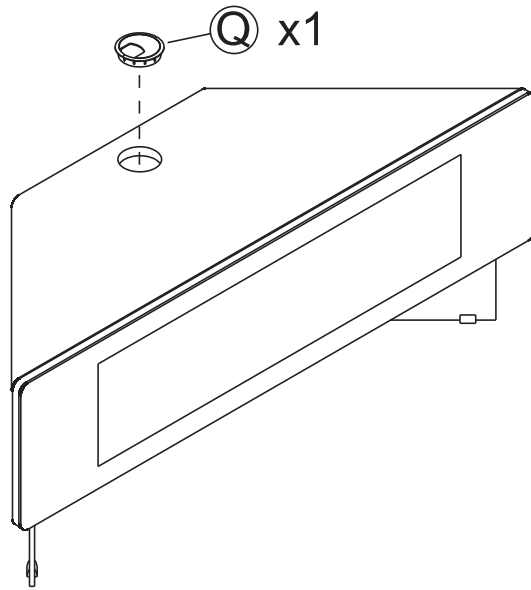
STEP 14



THE DOOR ALIGNMENT CAN BE ADJUSTED USING THE 2 SCREWS WITHIN THE 3 DOOR HINGES.



STEP 15



STEP 16

FITTING THE HYBRID SCREEN MOUNTING SYSTEM (SOLD / SUPPLIED SEPERATELY)

FITTINGS SUPPLIED WITH HYBRID SCREEN MOUNT

- ⑭ --- Bolt (M6x50mm) x 2
- ⑮ --- 1mm Metal Washer x 2

