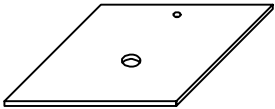


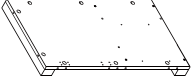


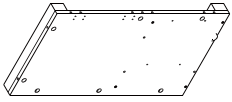

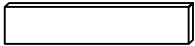

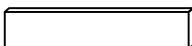
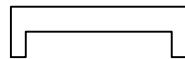
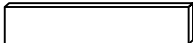

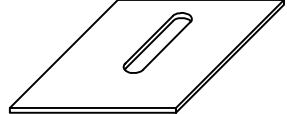
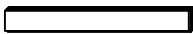
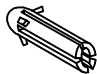
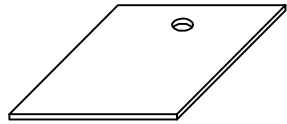
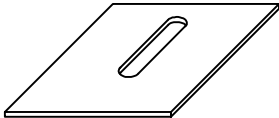
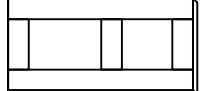
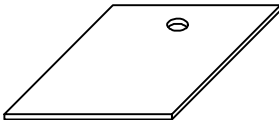
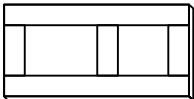
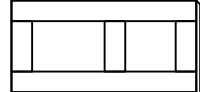
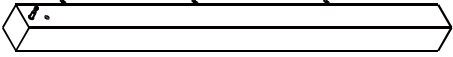
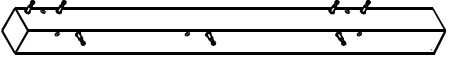
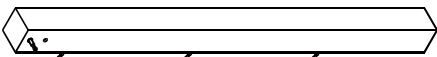
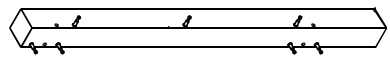
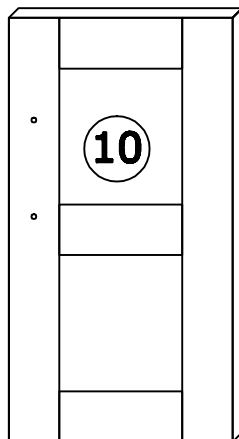
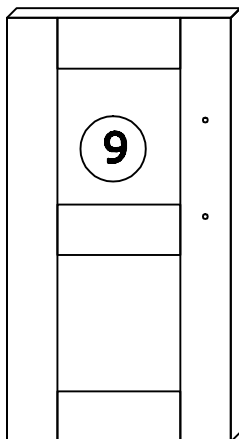
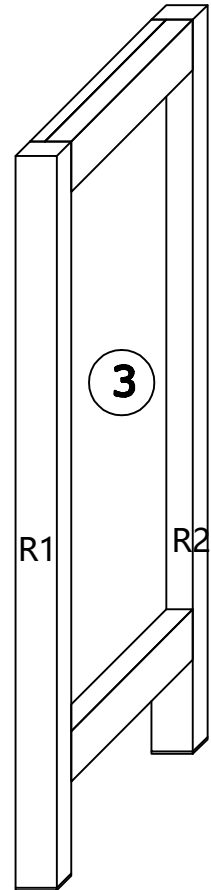
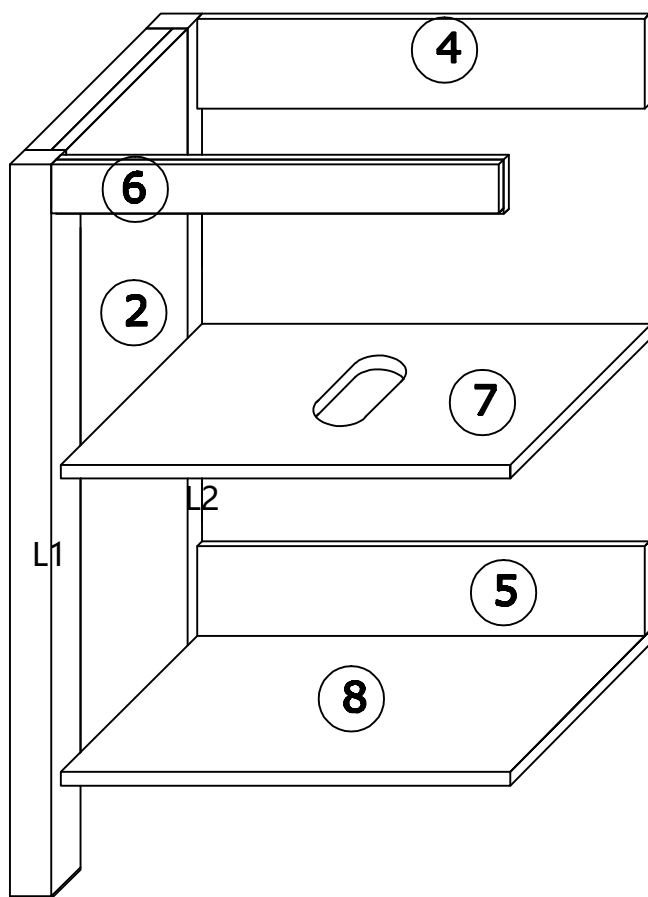
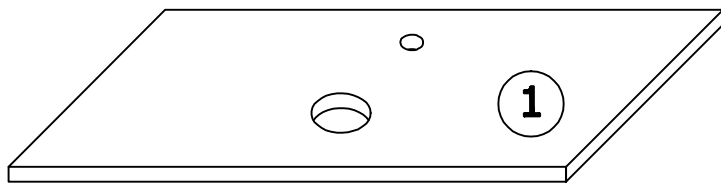
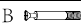


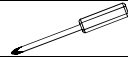
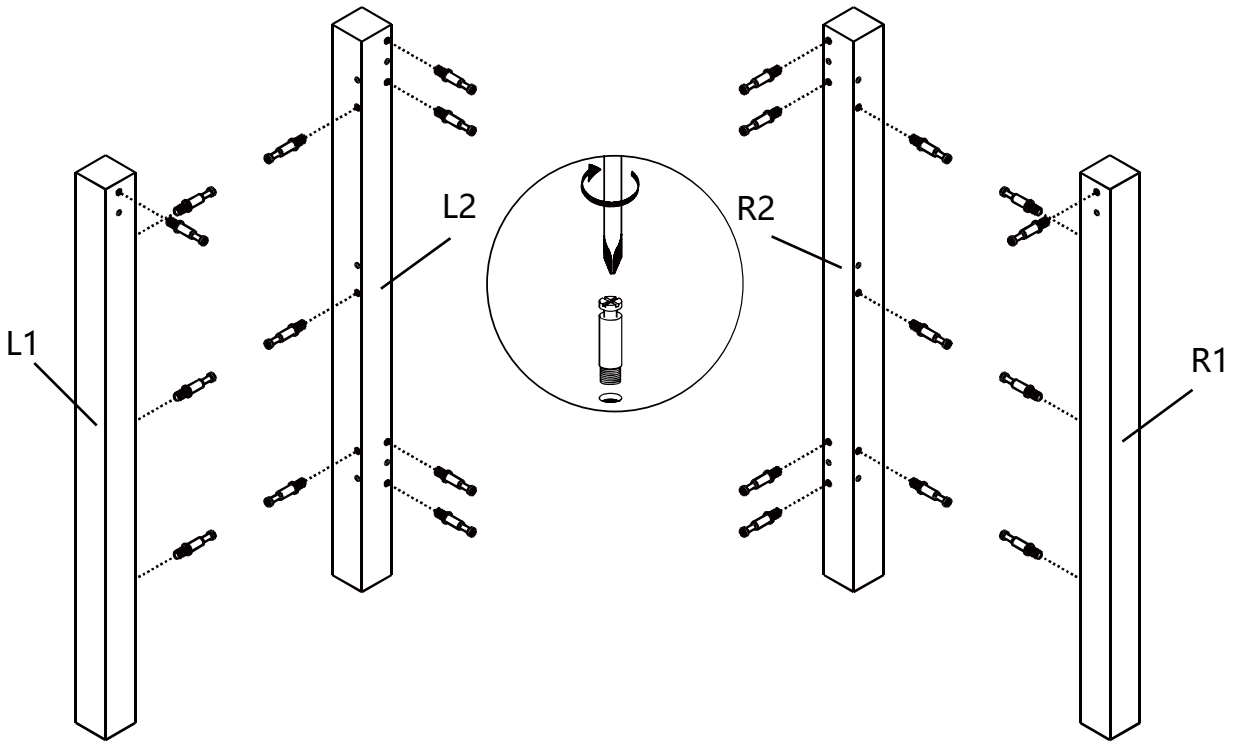
# Bathroom Vanity


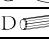



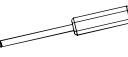
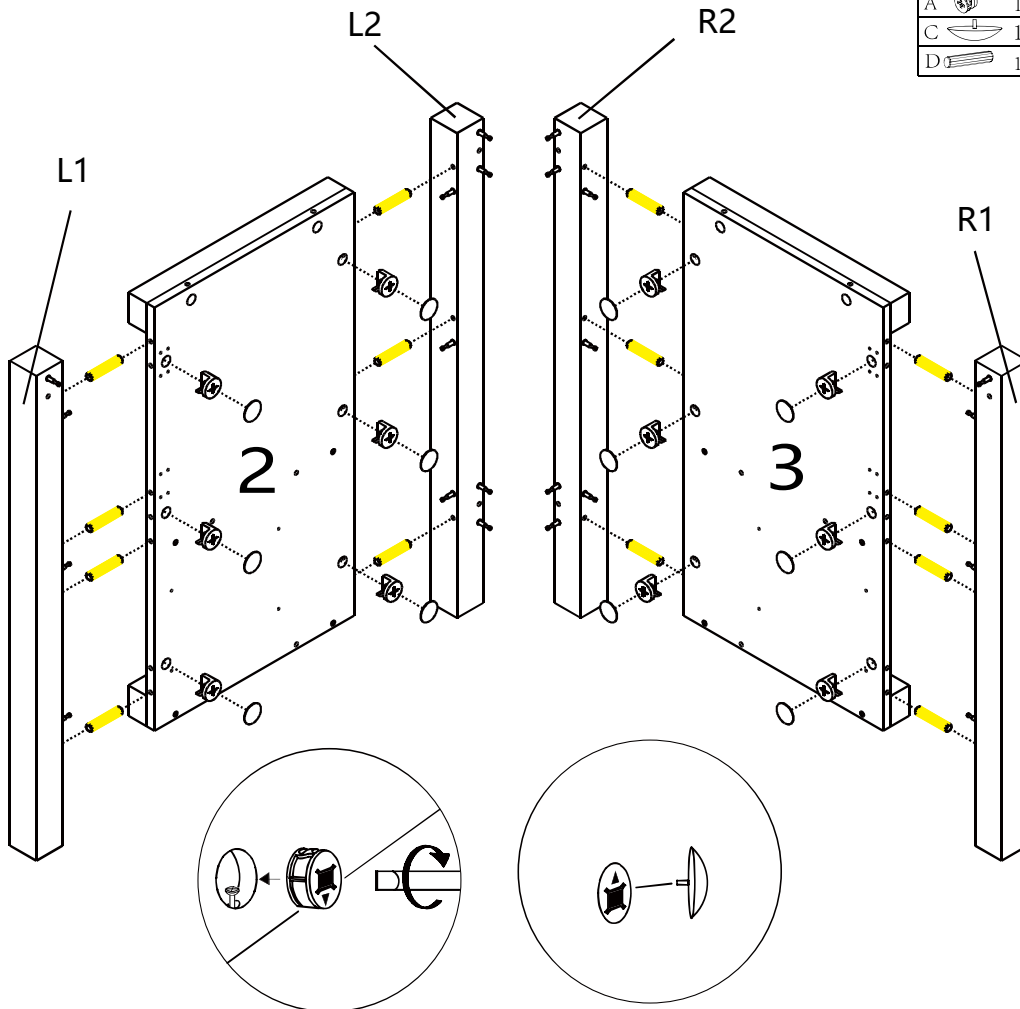
PARTS LIST			HARDWARE LIST		
NO.	DESCRIPTION	QTY	NO.	DESCRIPTION	QTY
1		1	A	 CAM LOCK	37
			B	 CAM SCREW	37
2		1	C	 CAM LOCK COVER	37
			D	 WOODEN DOWEL	26
3		1	E	 SCREW	40
			F	 HINGE	4
4		1	G	 HASCREW ( $\phi 4 \times 18 \text{MM}$ )	4
			H	 HANDLE 128MM	2
5		1	I	 $\phi 3.5 \times 35 \text{MM}$	2
			J	 $\phi 6 \times 30 \text{MM}$	2
6		1	K	 BOTTOM DRAIN HOLE COVER	1
			L	 CORNER IRON	2
7		1	M	 COUNTER TOP BASIN HOLDER	1
8		1			
9		1			
10		1			
L1		1			
L2		1			
R1		1			
R2		1			

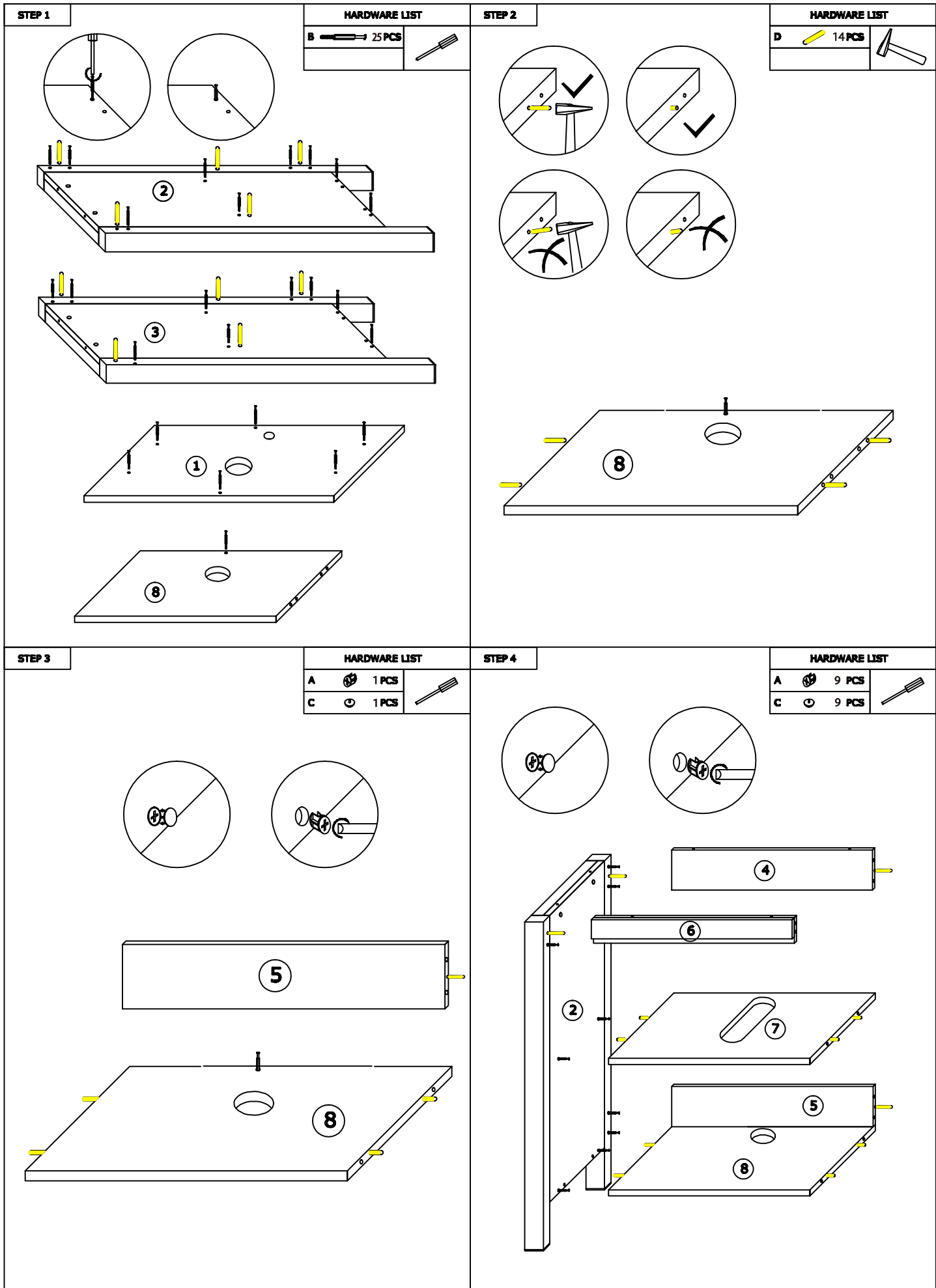


HARDWARE LIST	
B 	22 pcs


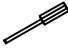




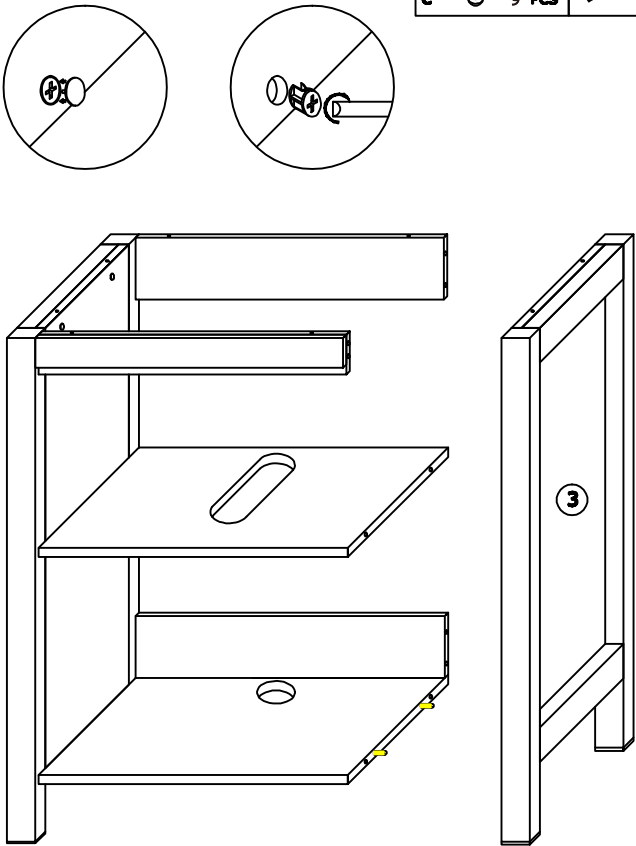
HARDWARE LIST	
A 	12 pcs
C 	12 pcs
D 	14 pcs


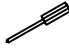




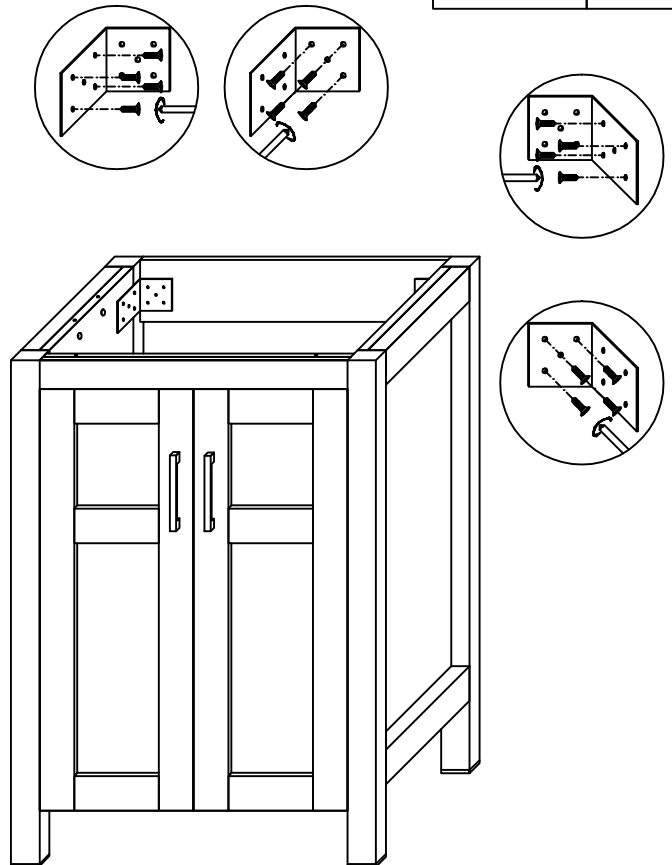



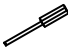

**STEP 5****HARDWARE LIST**

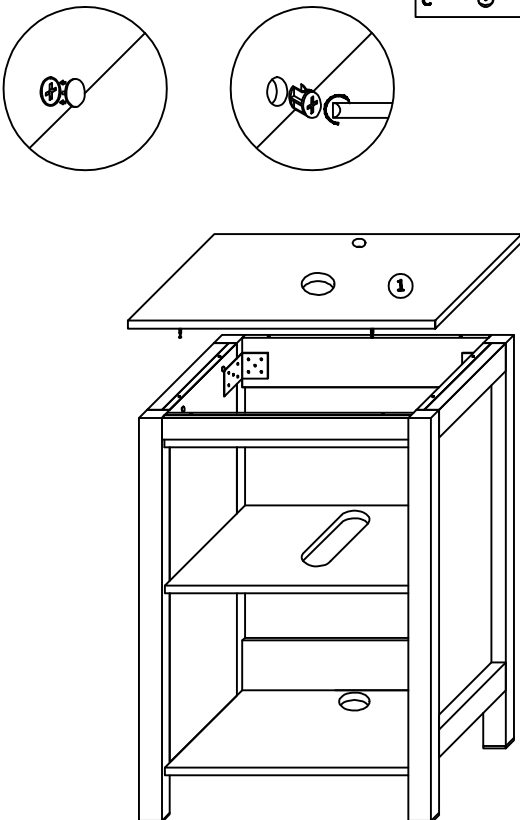
A		9 PCS	
C		9 PCS	


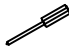

**STEP 6****HARDWARE LIST**

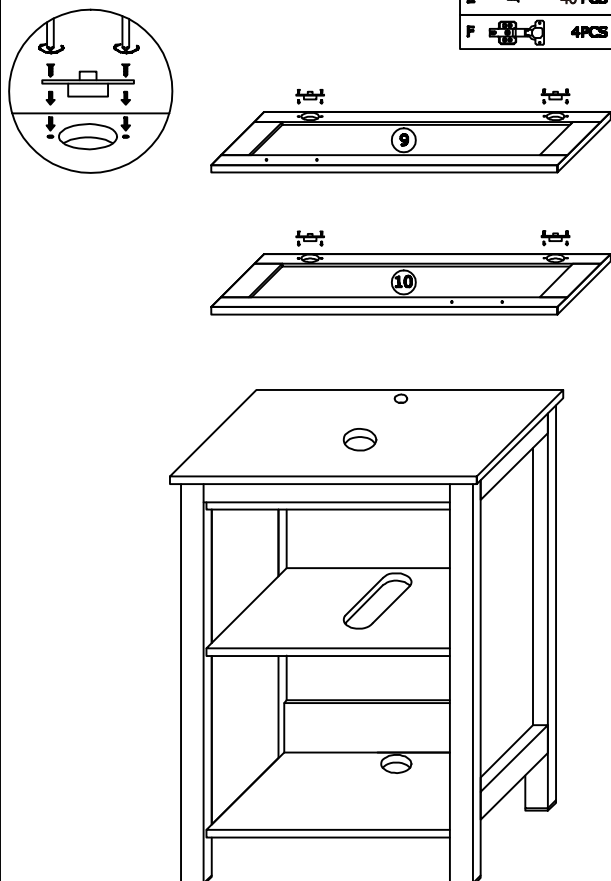
M		2PCS	
E		16 PCS	

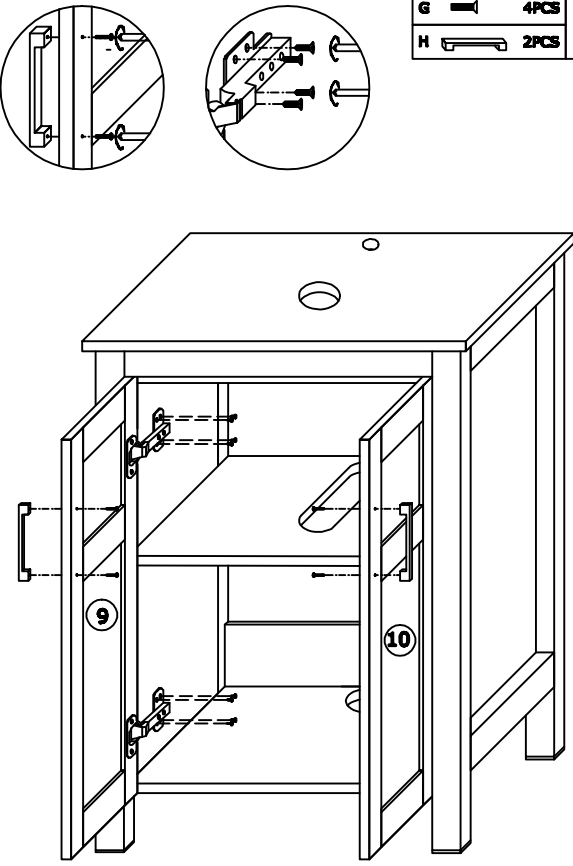
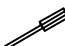
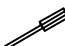
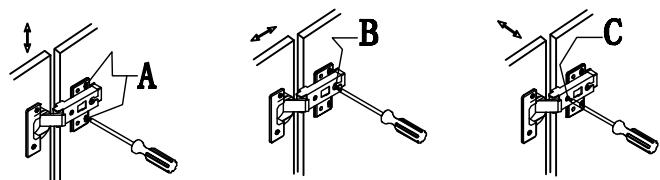
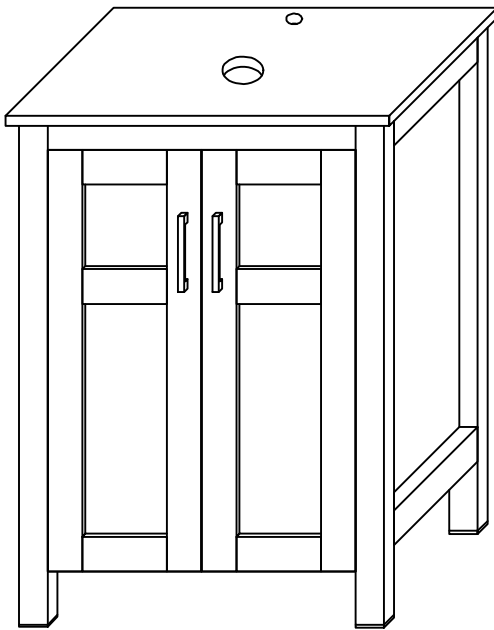


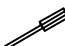

**STEP 7****HARDWARE LIST**

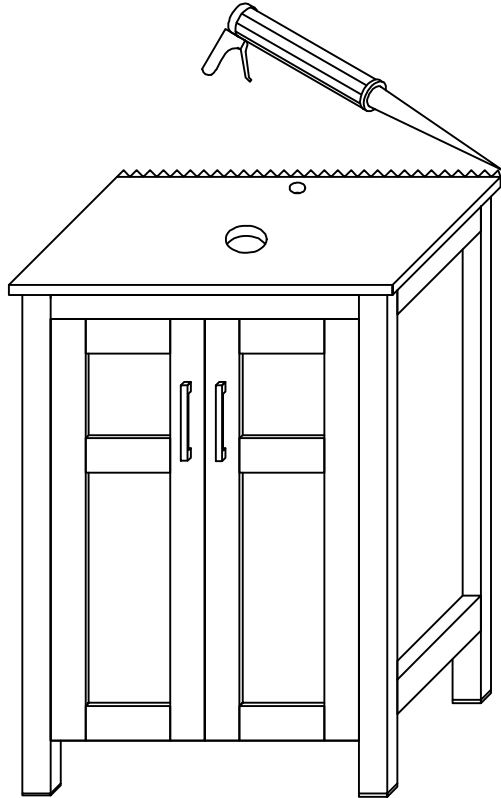
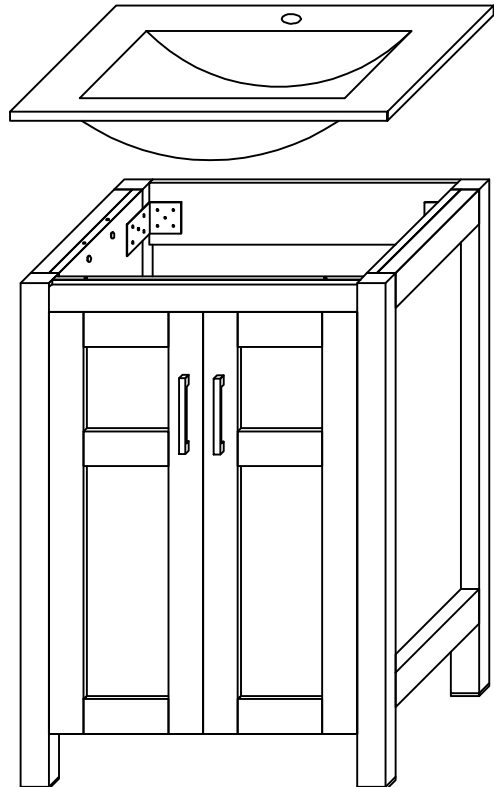
A		6 PCS	
C		6 PCS	

**STEP 8****HARDWARE LIST**

E		40 PCS	
F		4PCS	



<p><b>STEP 9</b></p> 	<p><b>HARDWARE LIST</b></p> <table border="1"> <tr> <td>E</td> <td>1</td> <td>16 PCS</td> <td rowspan="3"></td> </tr> <tr> <td>G</td> <td>1</td> <td>4PCS</td> </tr> <tr> <td>H</td> <td>1</td> <td>2PCS</td> </tr> </table>	E	1	16 PCS		G	1	4PCS	H	1	2PCS	<p><b>STEP 10</b></p> <p><b>A. Height adjustment;</b>  <b>B. Depth adjustment;</b>  <b>C. Side to side adjustment.</b></p>  	<p><b>HARDWARE LIST</b></p> <table border="1"> <tr> <td></td> <td></td> <td></td> <td></td> </tr> <tr> <td></td> <td></td> <td></td> <td></td> </tr> </table>								
E	1	16 PCS																			
G	1	4PCS																			
H	1	2PCS																			
																					

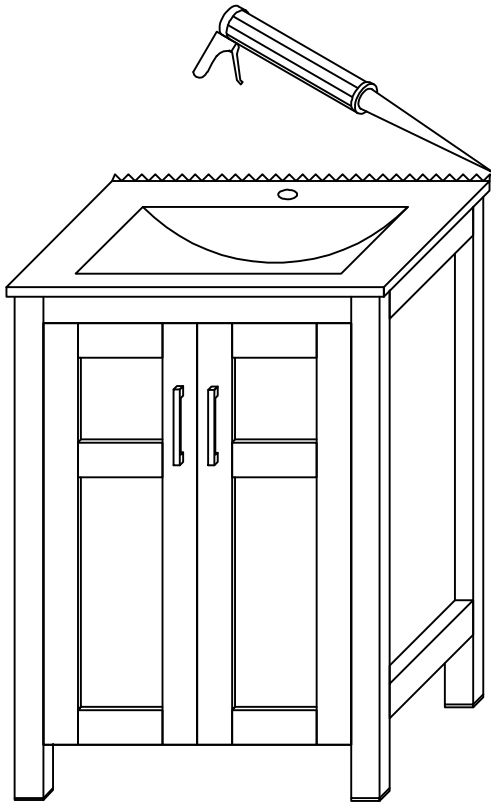
<p><b>STEP 11</b></p> 	<p><b>HARDWARE LIST</b></p> <table border="1"> <tr> <td></td> <td></td> <td></td> <td></td> </tr> <tr> <td></td> <td></td> <td></td> <td></td> </tr> </table>									<p><b>STEP 12</b></p> 	<p><b>HARDWARE LIST</b></p> <table border="1"> <tr> <td></td> <td></td> <td></td> <td></td> </tr> <tr> <td></td> <td></td> <td></td> <td></td> </tr> </table>								

STEP 13

HARDWARE LIST

STEP 14

HARDWARE LIST



STEP 15

HARDWARE LIST

STEP 16

HARDWARE LIST