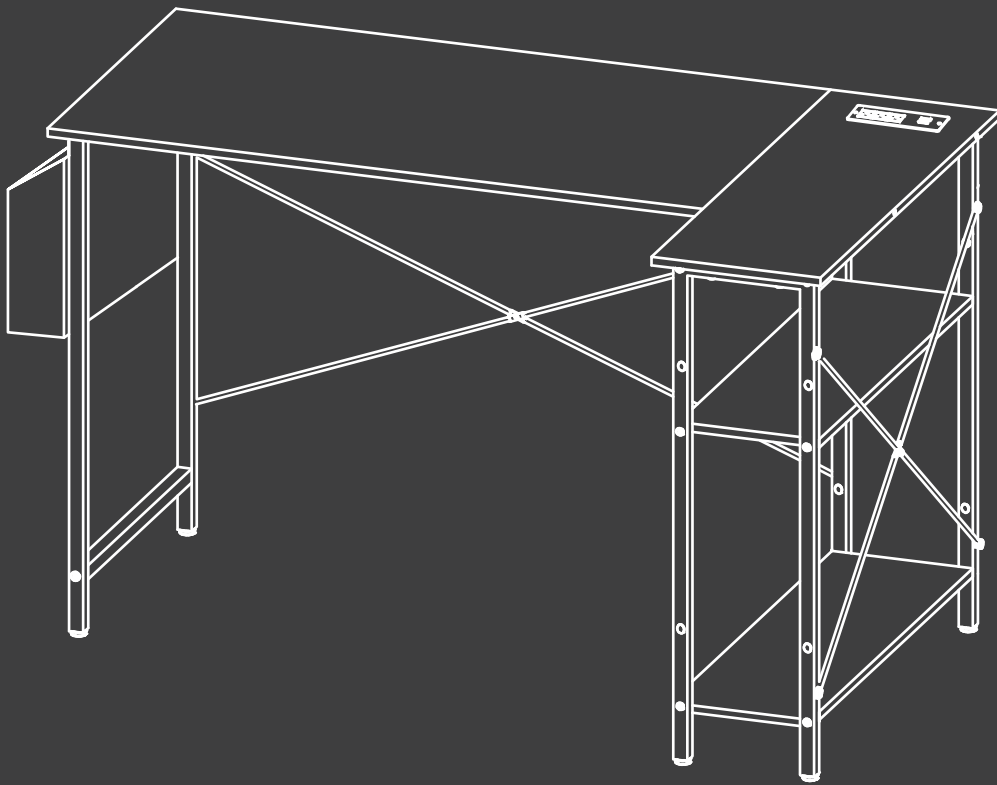
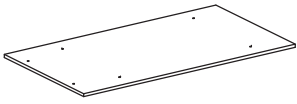


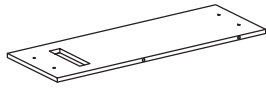
Computer Desk

Instruction Manual





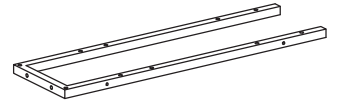
① X1



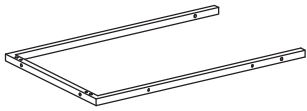
② X1



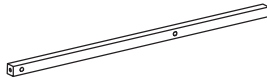
③ X2



④ X2



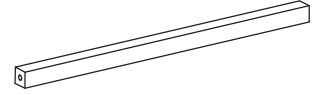
⑤ X1



⑥ X1



⑦ X2



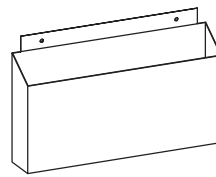
⑧ X1



⑨ X1



⑩ X1

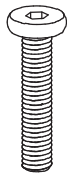


⑪ X1



M6x12mm

Ⓐ X10



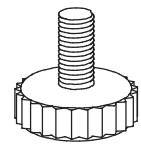
M6x28mm

Ⓑ X18



M6x48mm

Ⓒ X8



M6x20mm

Ⓓ X6



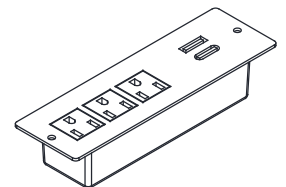
Ⓔ X2



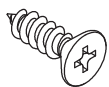
Ⓕ X1



Ⓖ X2

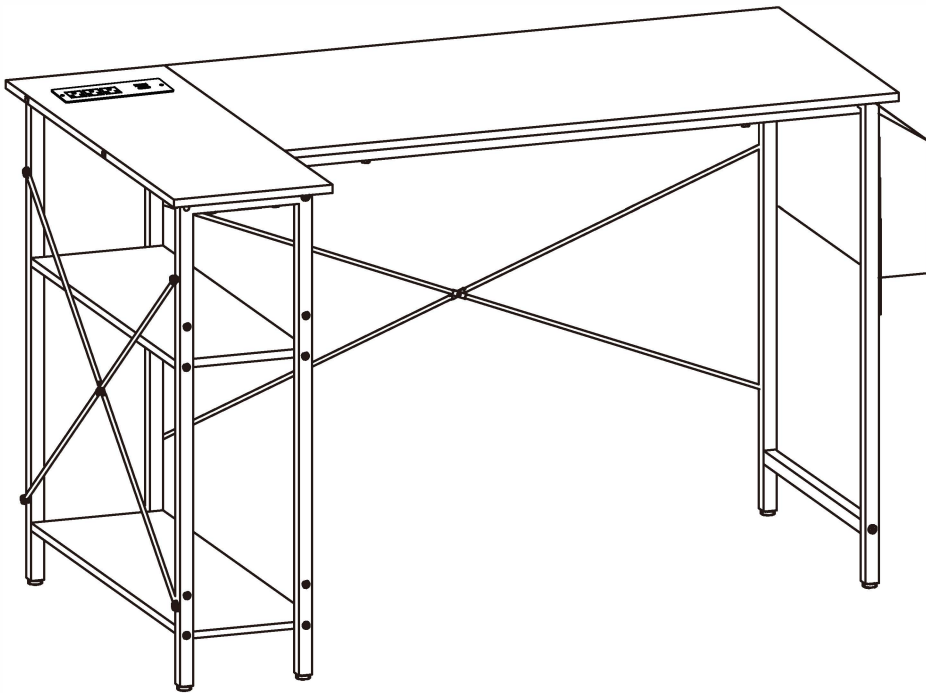


Ⓖ X1

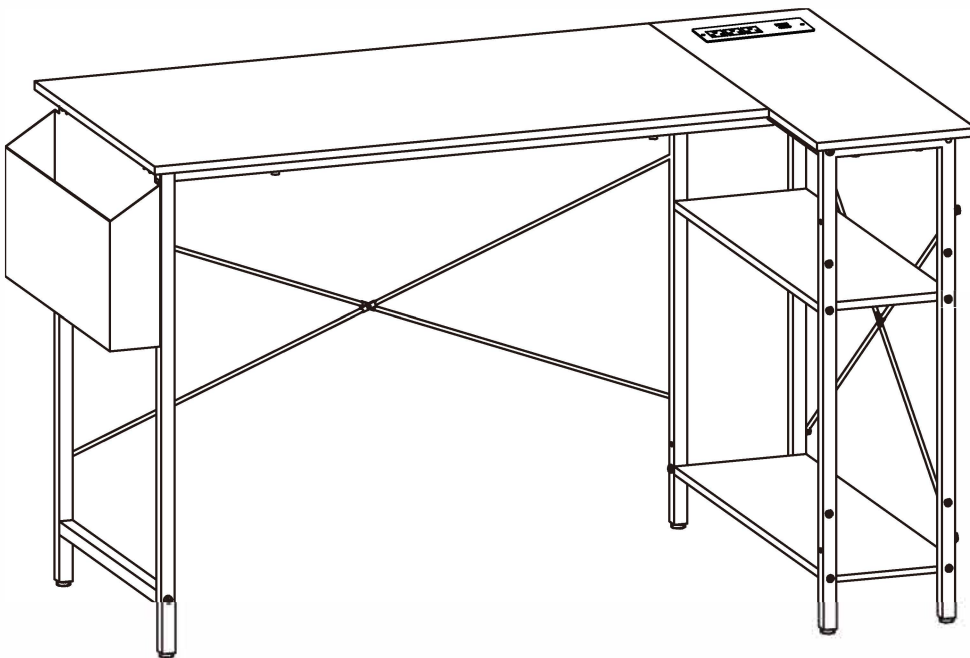


M3.5x10mm

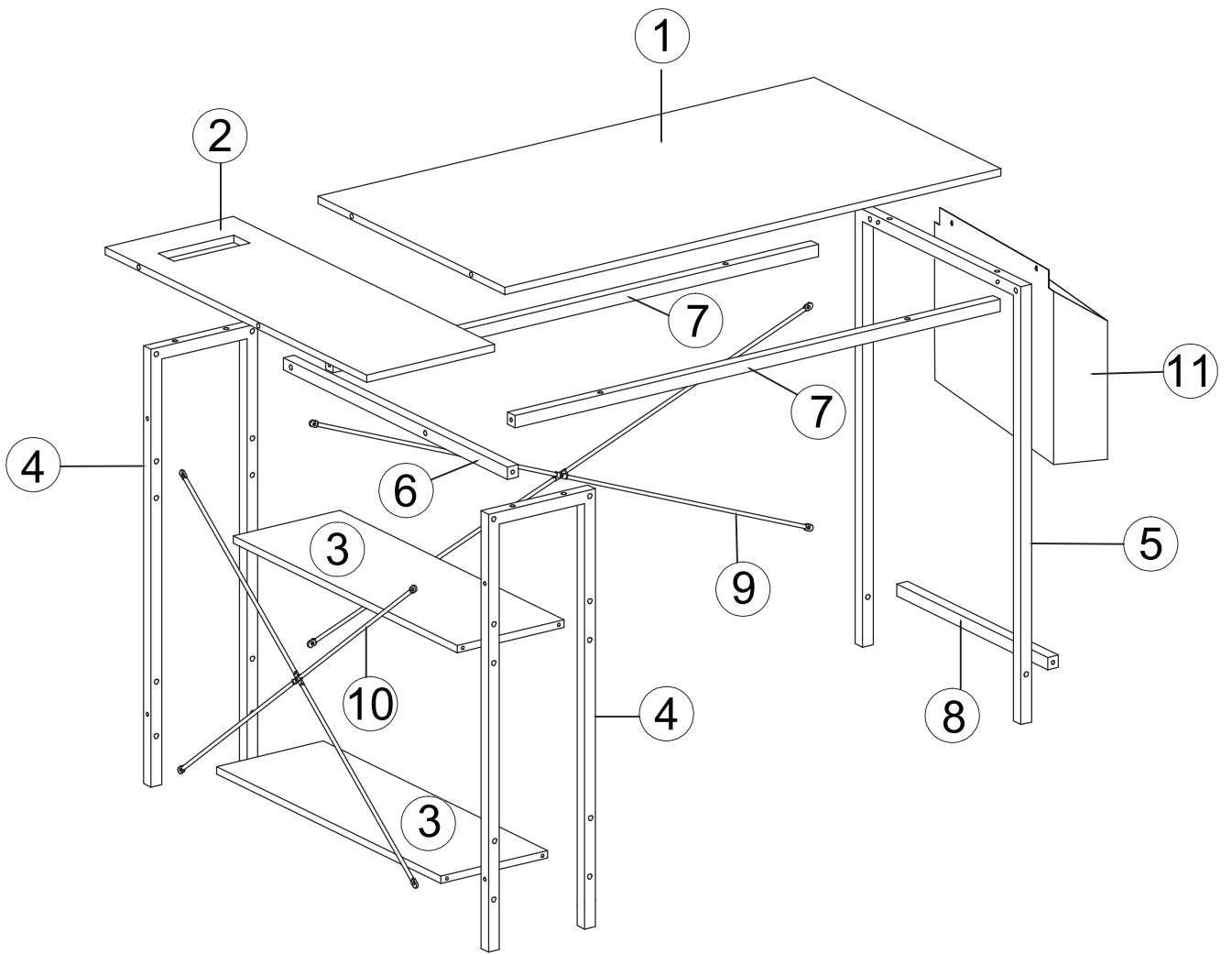
Ⓘ X2



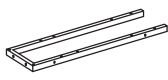


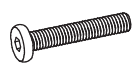
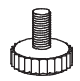
-----Page 5-13

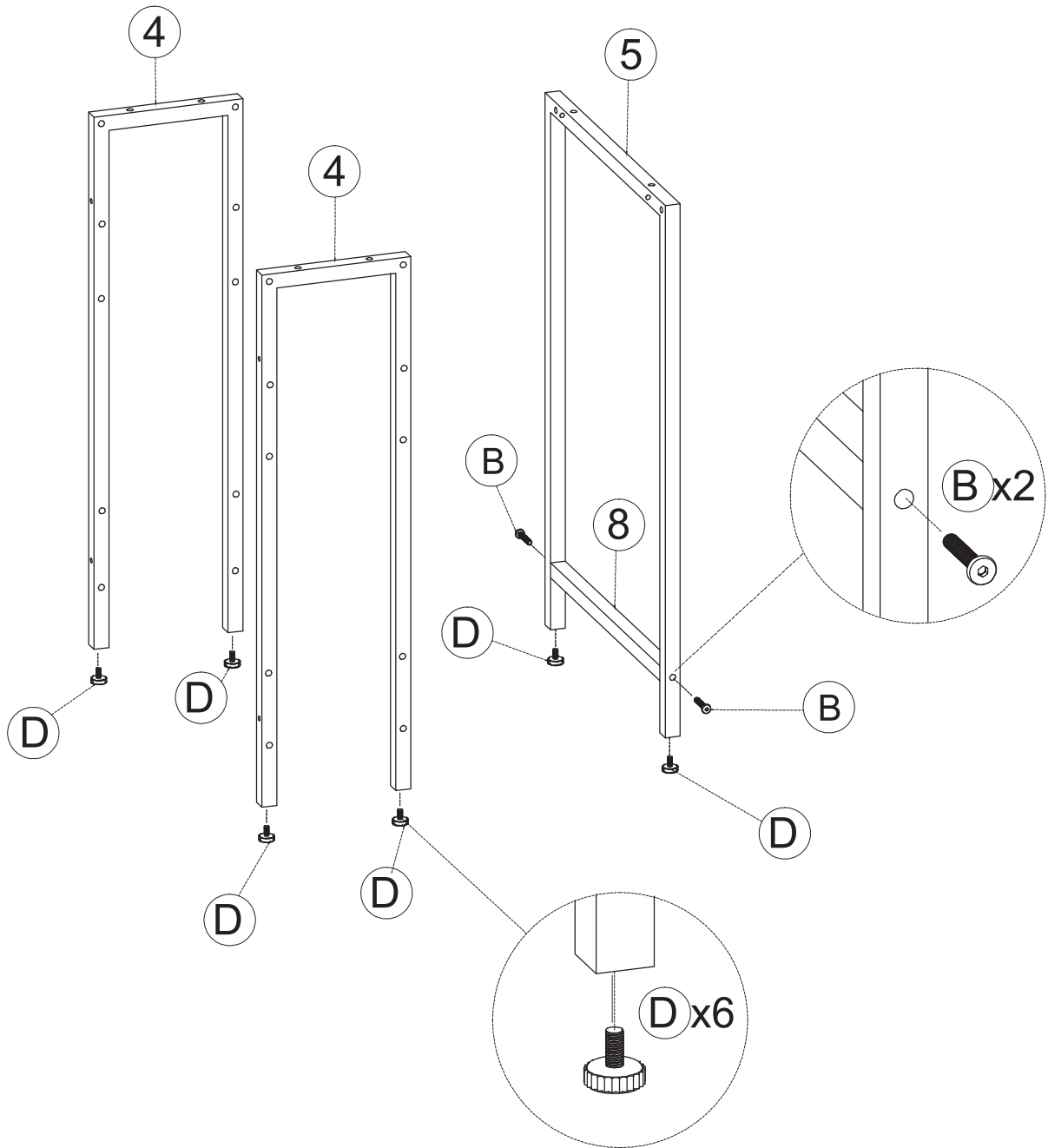


-----Page 14-22





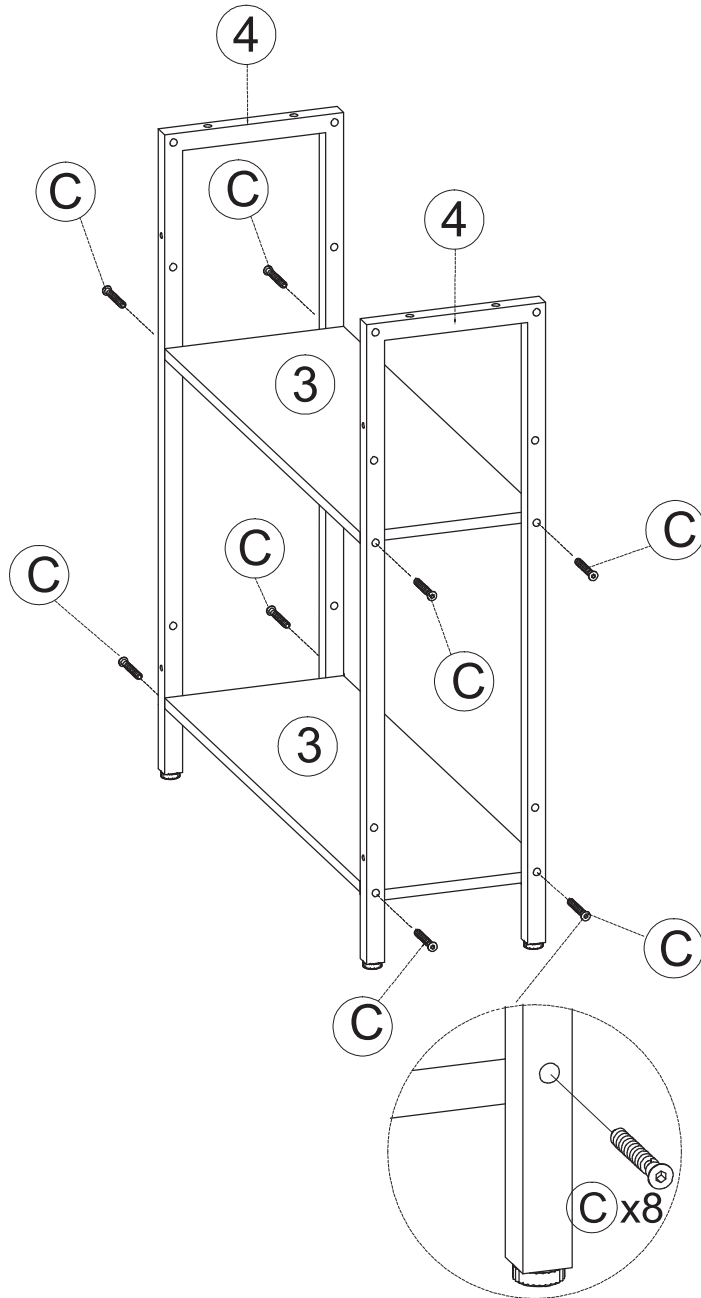
1

④	 X2	⑤	 X1	⑧	 X1
Ⓑ	 X2	Ⓓ	 X6		





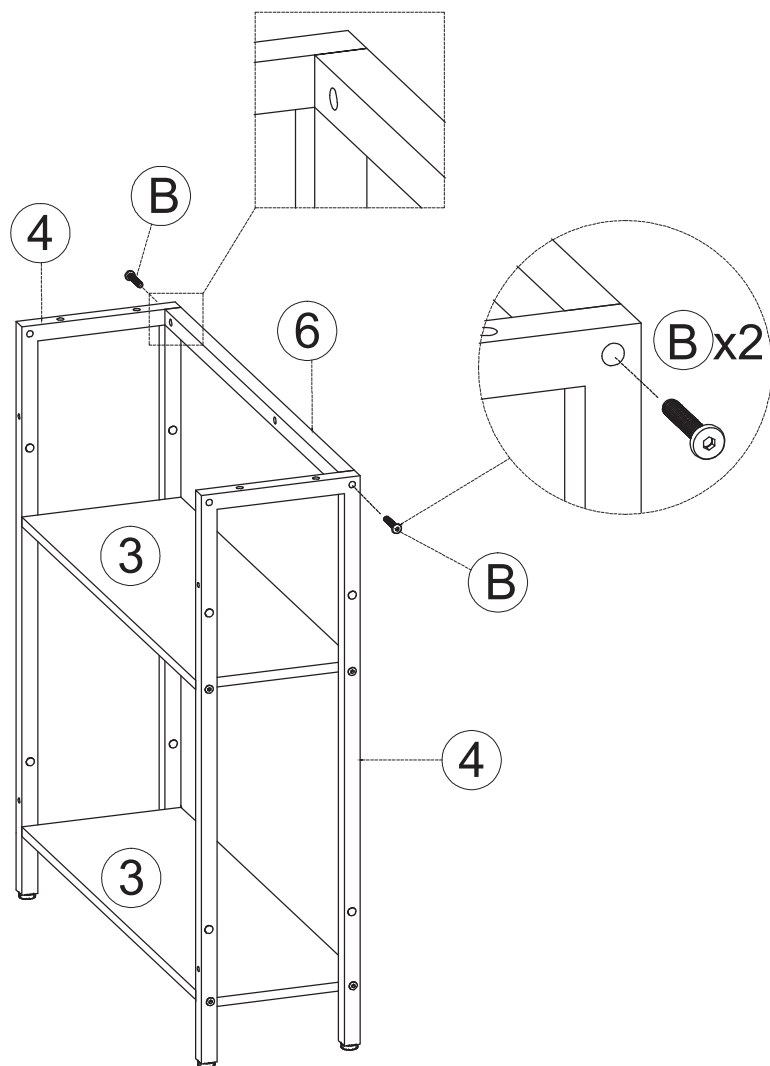
2

③	 X2	C	 X8
---	--	---	--






3

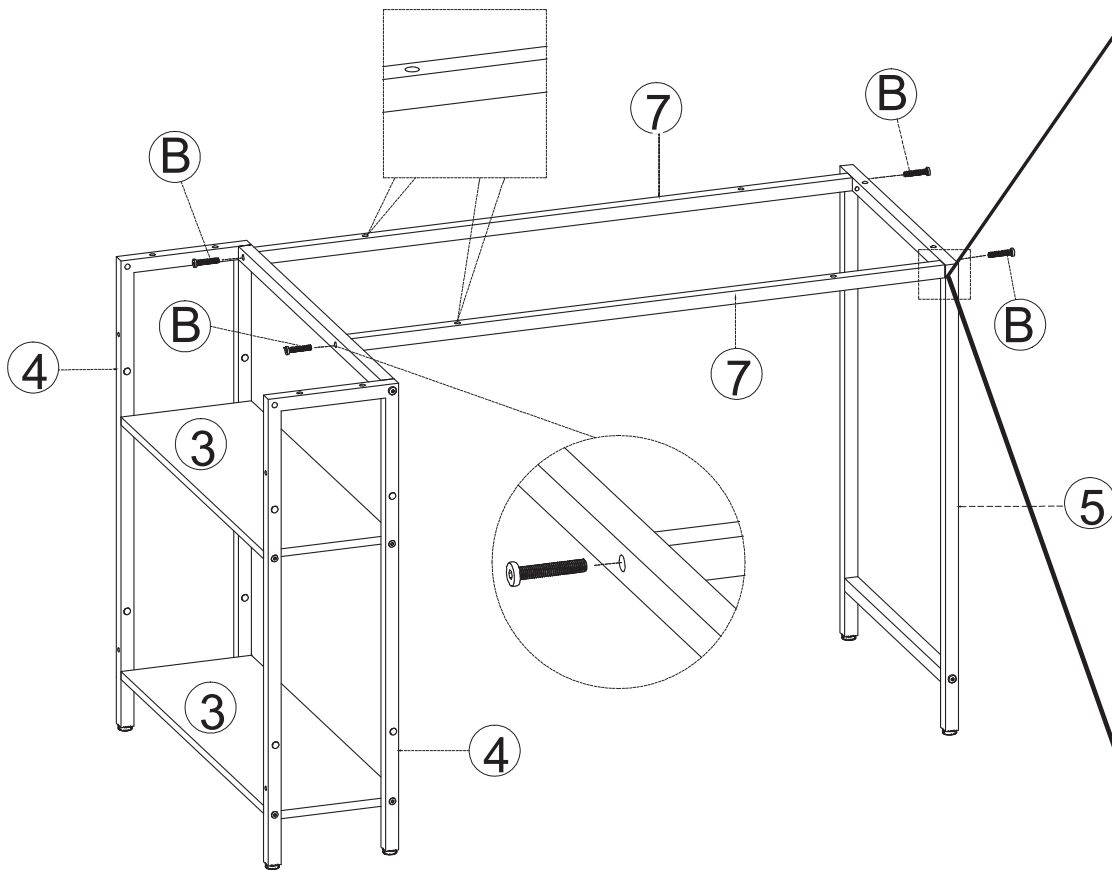
⑥	 X1
Ⓑ	 X2



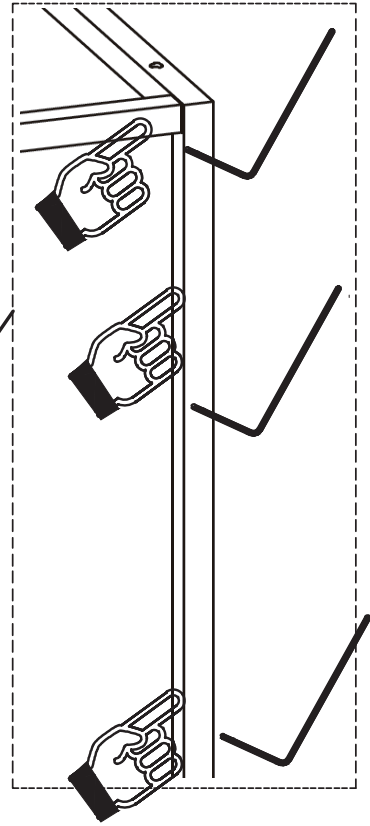
4

Attention

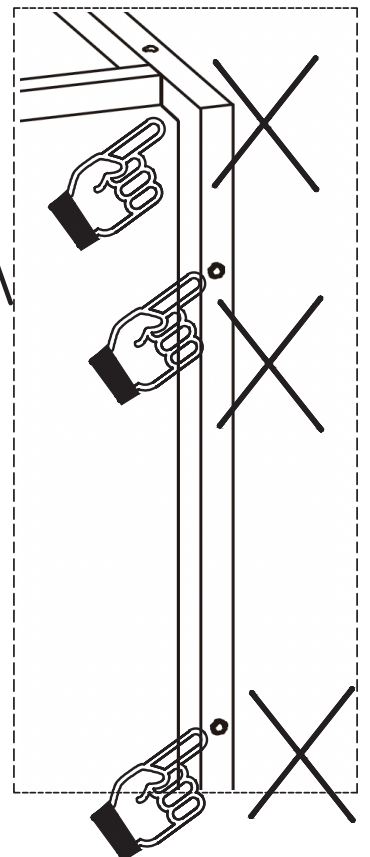
⑦	 X2	⑤	 X1
Ⓑ	 X4		



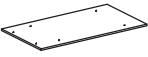

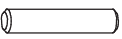
RIGHT



WRONG

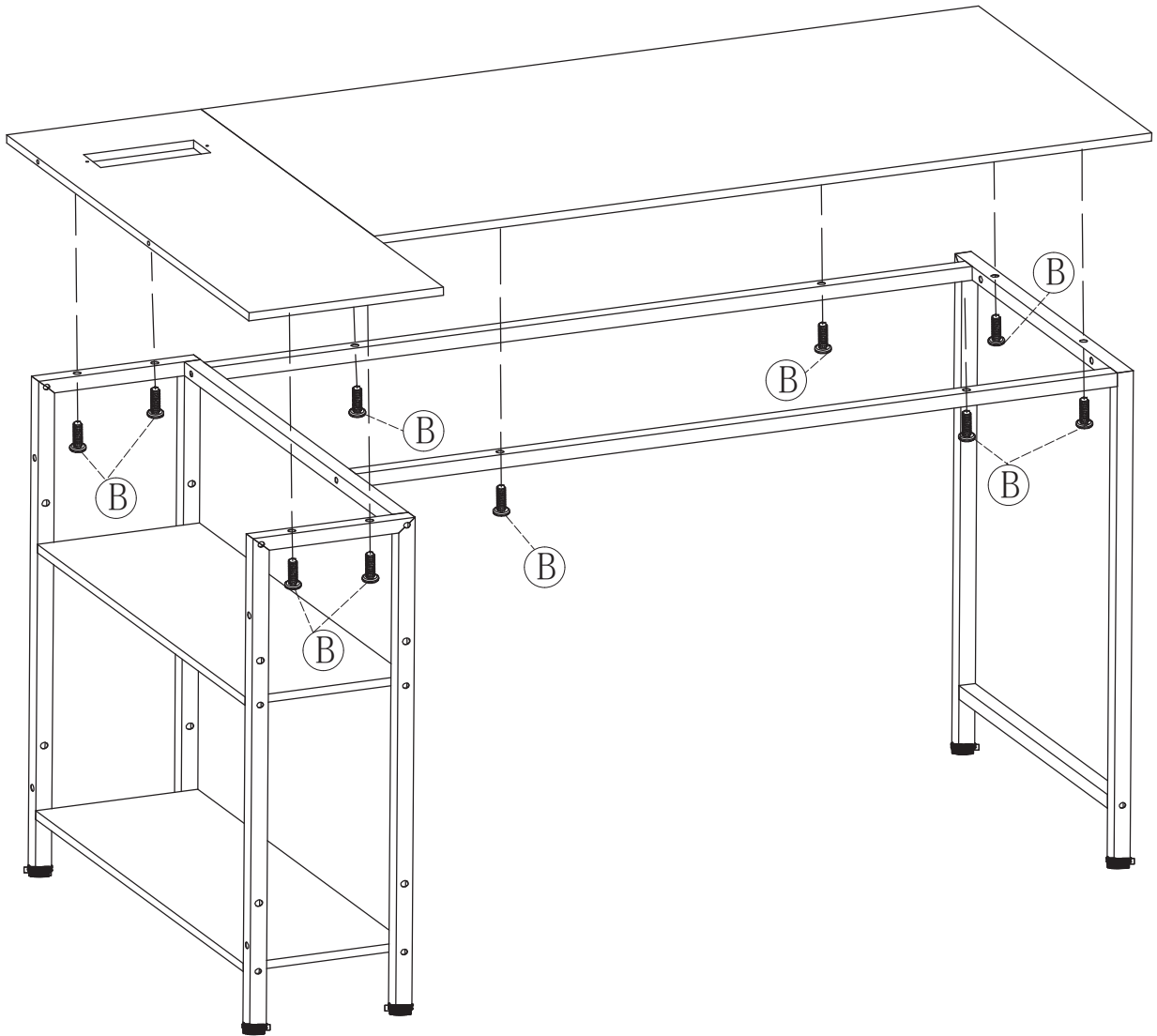
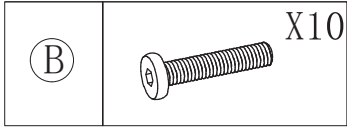


5

①	 X1	②	 X1
Ⓔ	 X2		




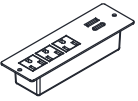



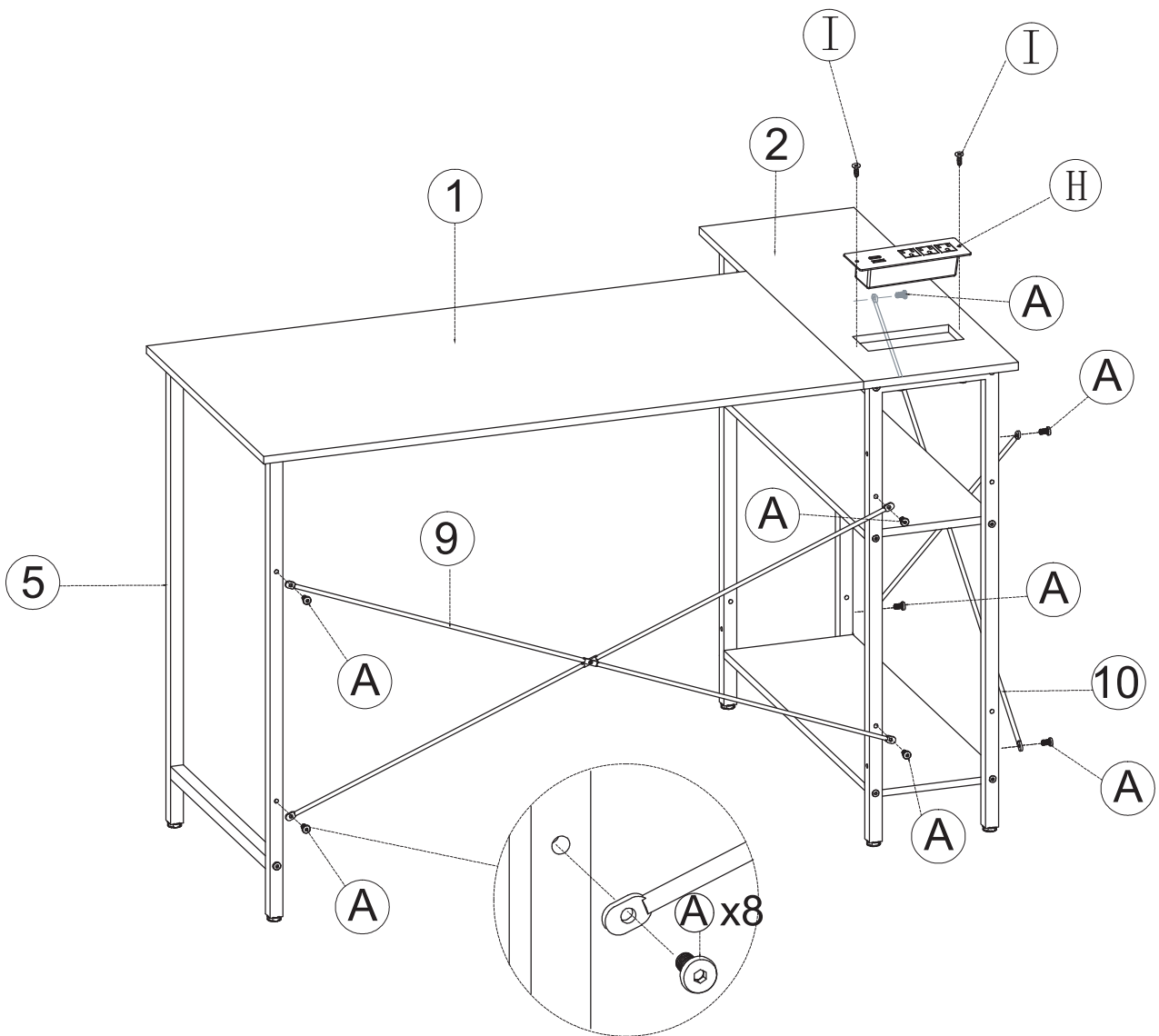
6



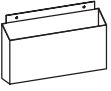

To make assembly easier,
keep the screws loose at first.
Once everything's set up,
tighten them for a sturdy desk.

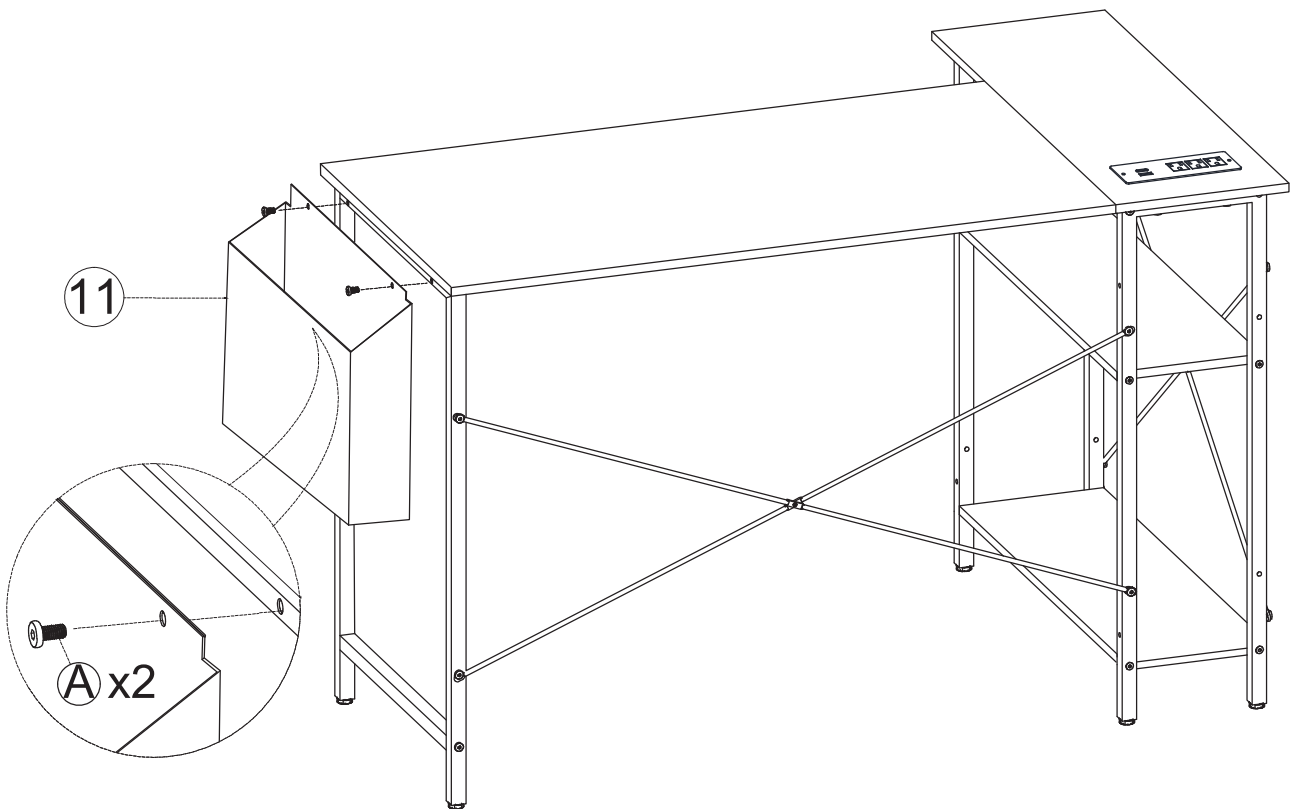
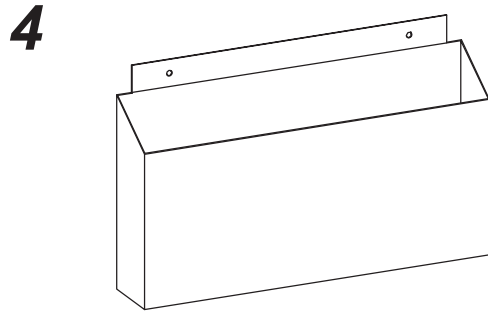
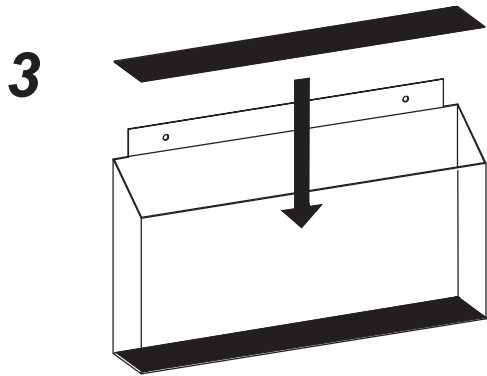
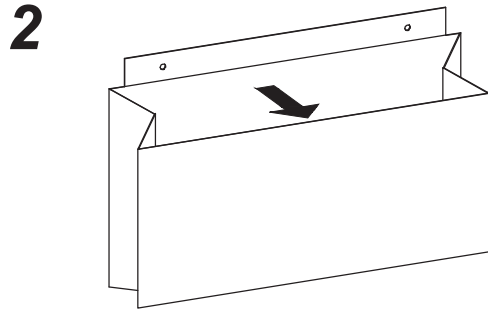
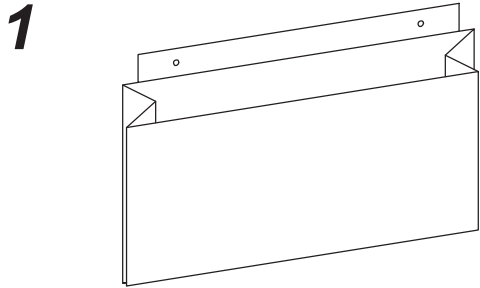
7

9	 X1	10	 X1		
A	 X8	H	 X1	I	 X2

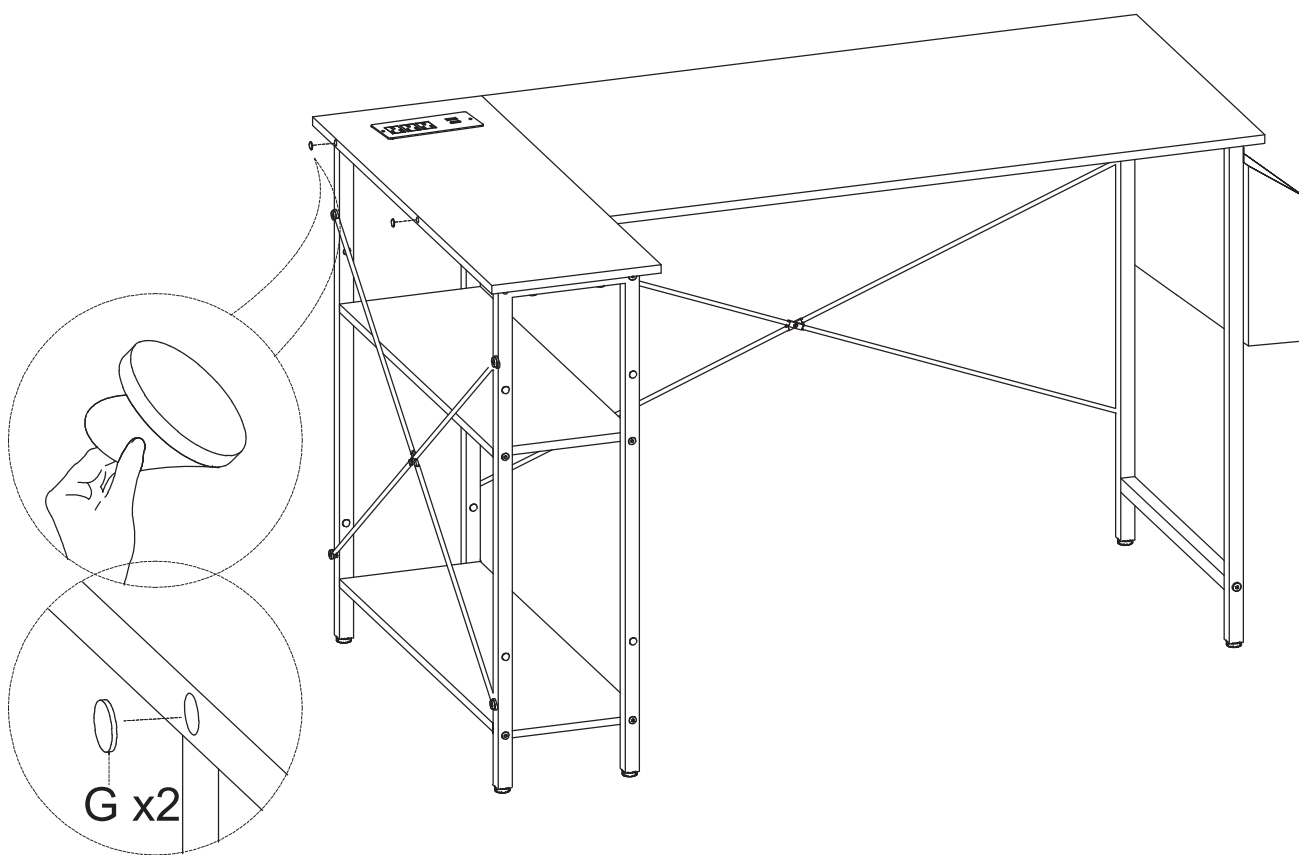
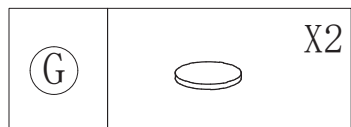


8




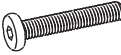
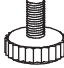
11		X1
A		X2

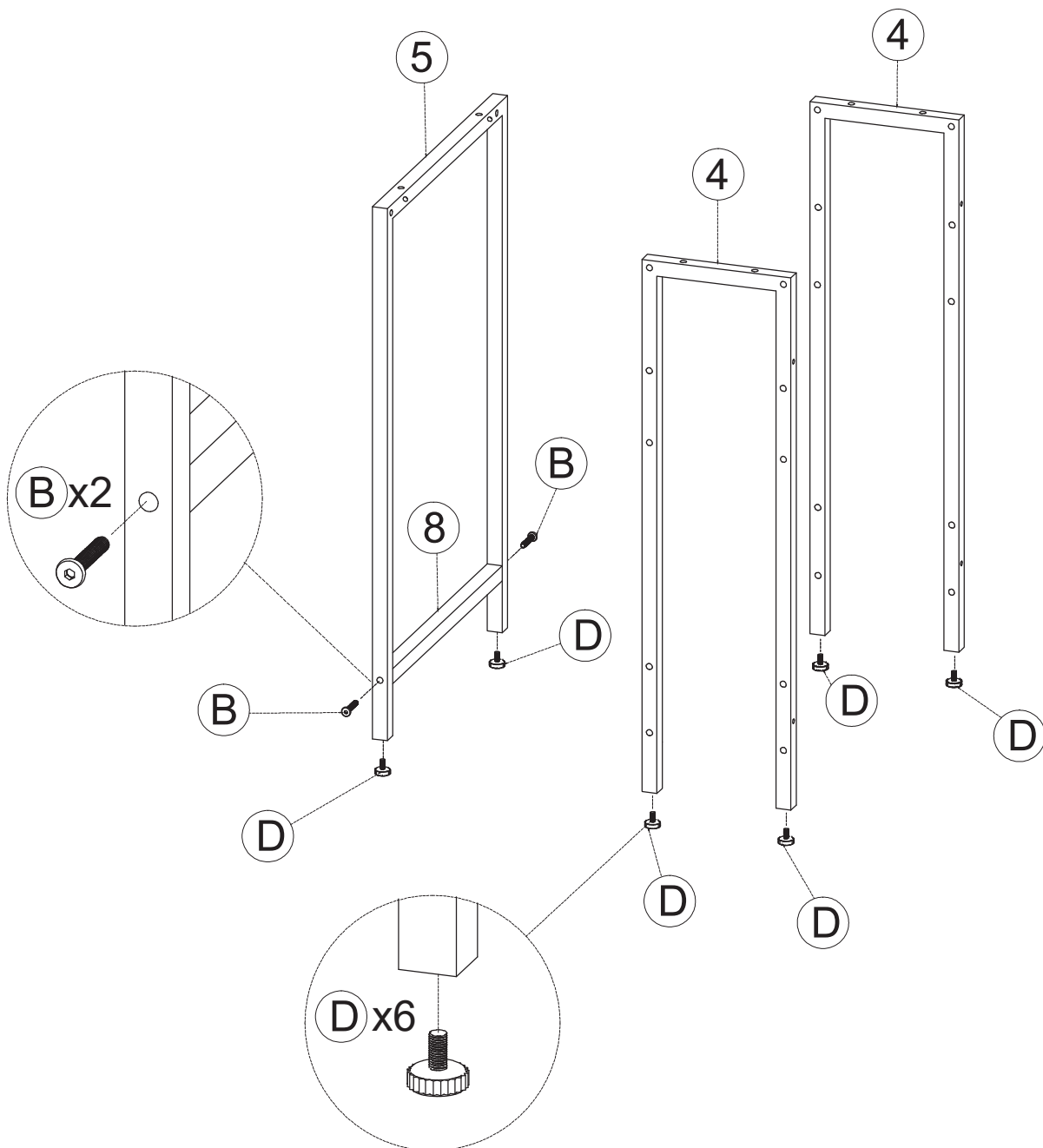


9





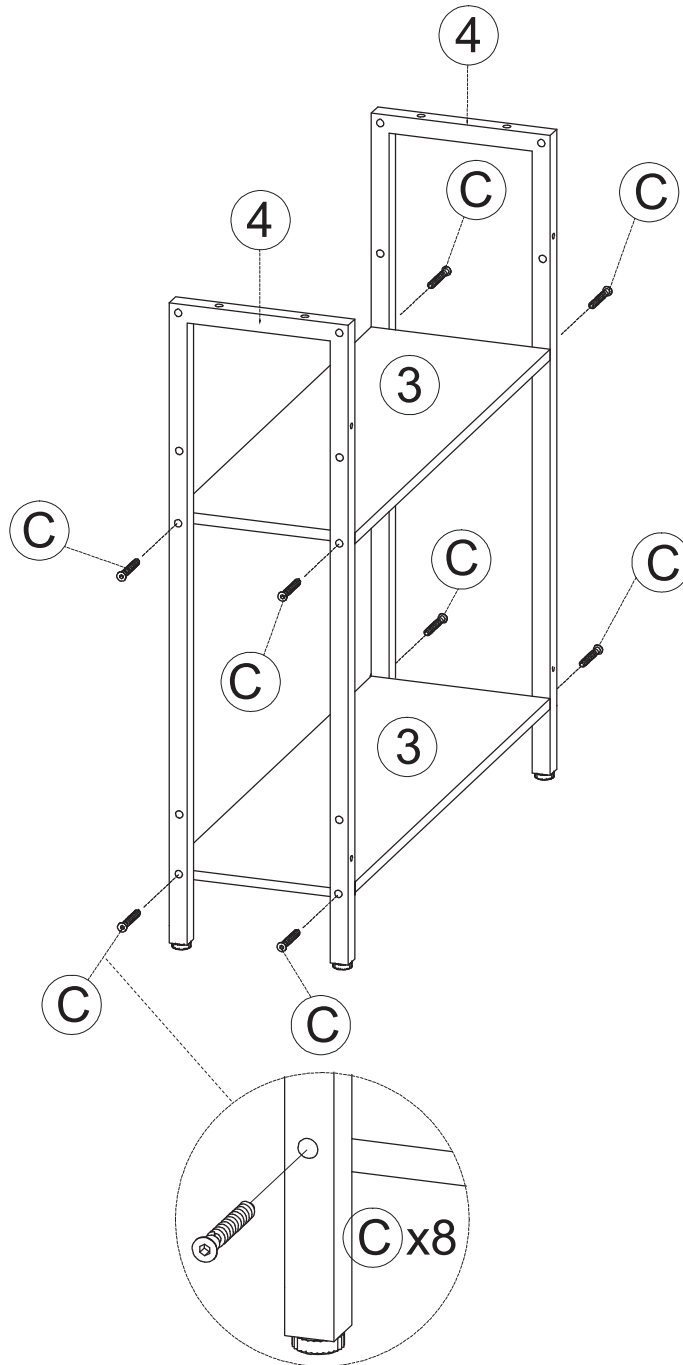
1

④	 X2	⑤	 X1	⑧	 X1
Ⓑ	 X2	Ⓓ	 X6		





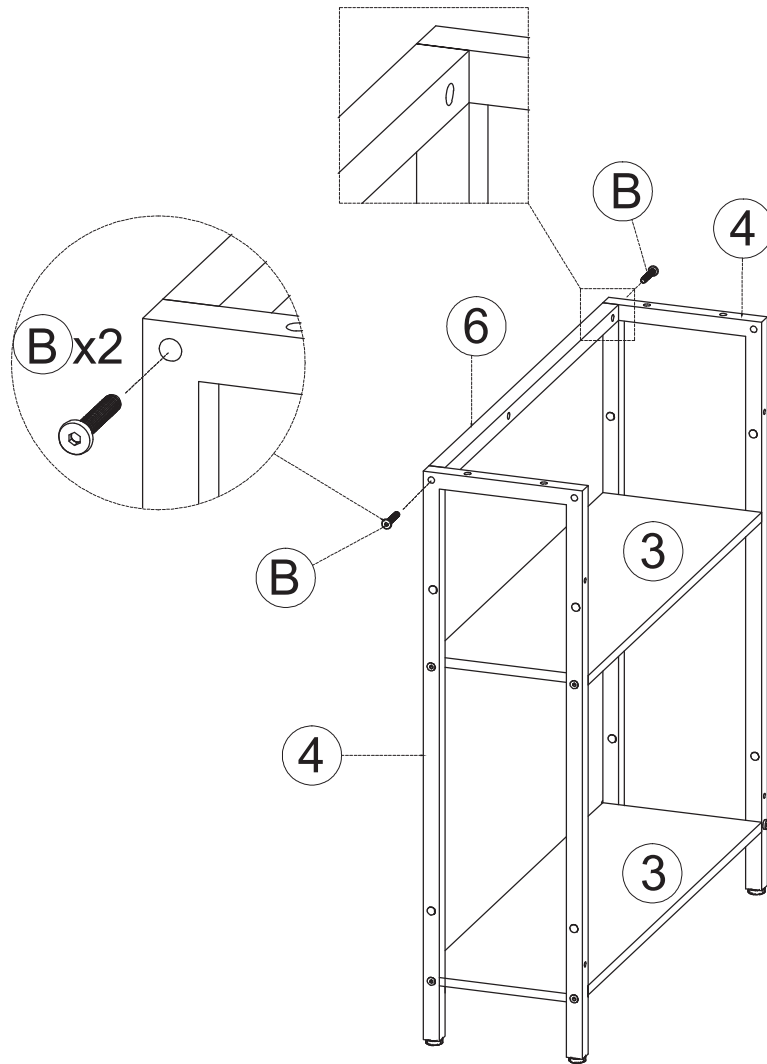
2

③	 X2	C	 X8
---	--	---	--



3

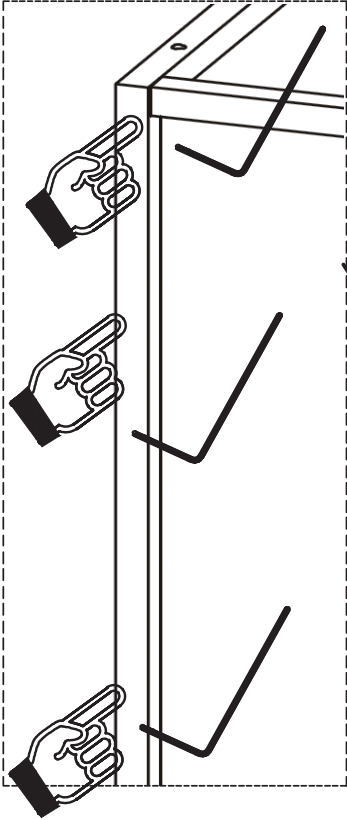
⑥	 X1
Ⓑ	 X2



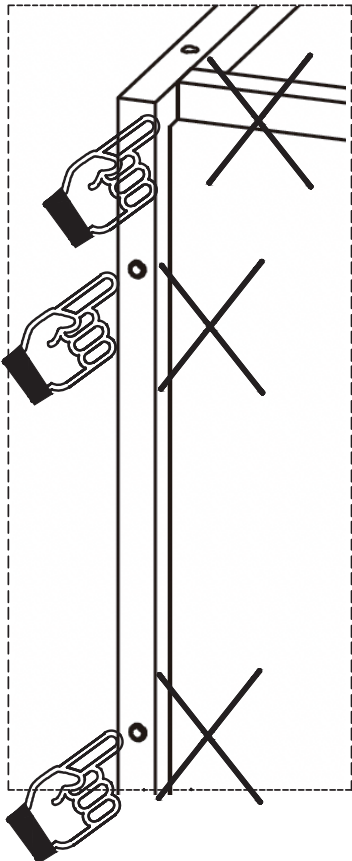
4




Attention

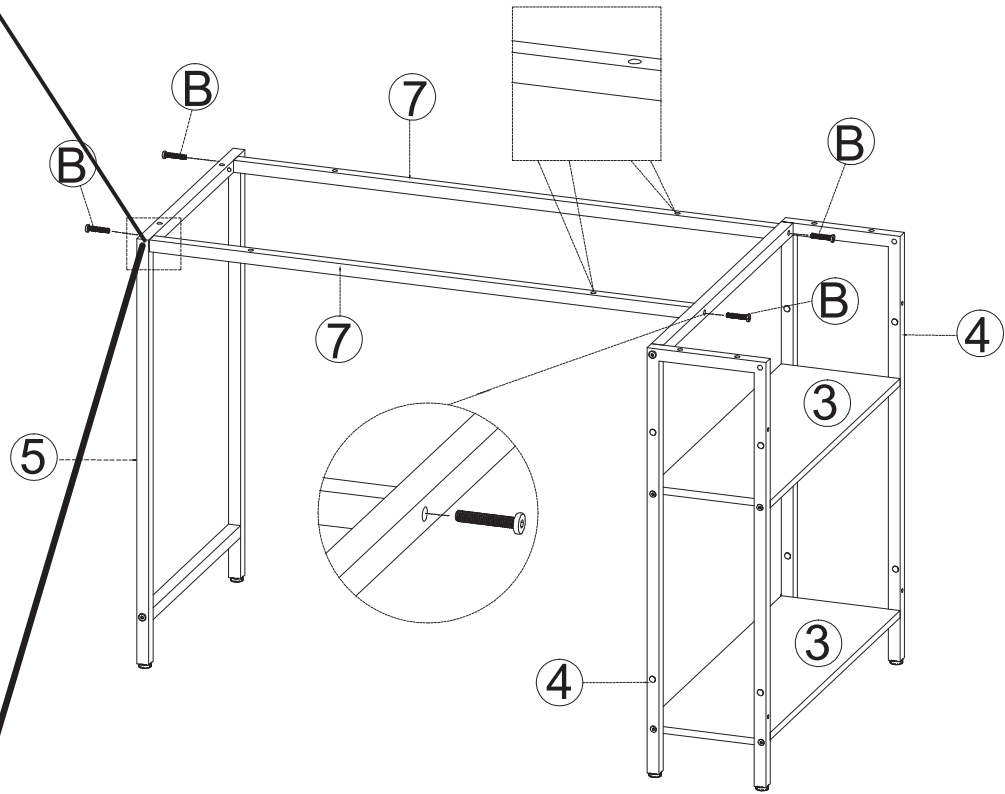
RIGHT






WRONG



⑦	 X2	⑤	 X1
Ⓑ	 X4		

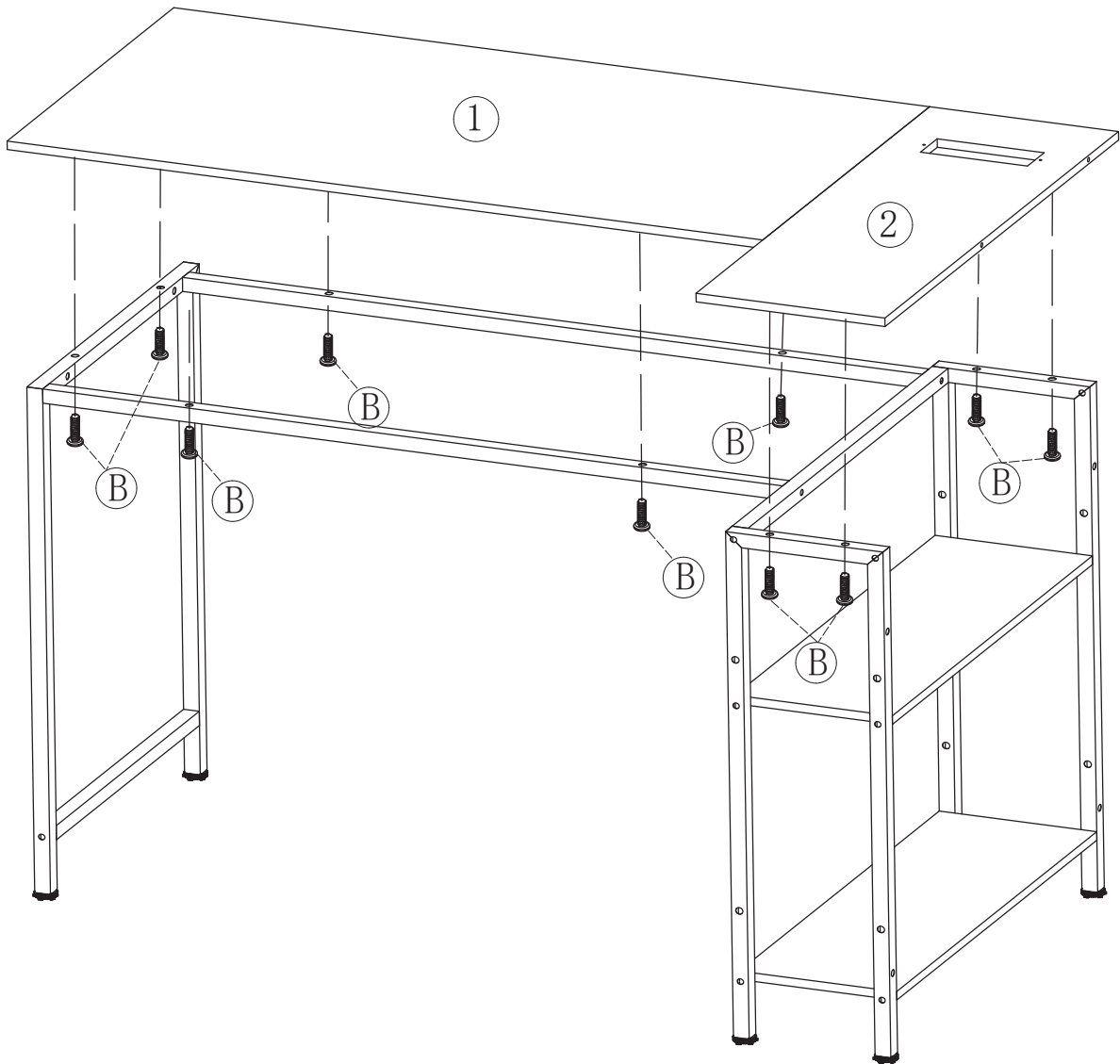
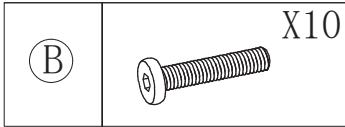


5

①	 X1	②	 X1
Ⓔ	 X2		




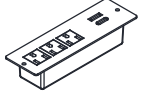



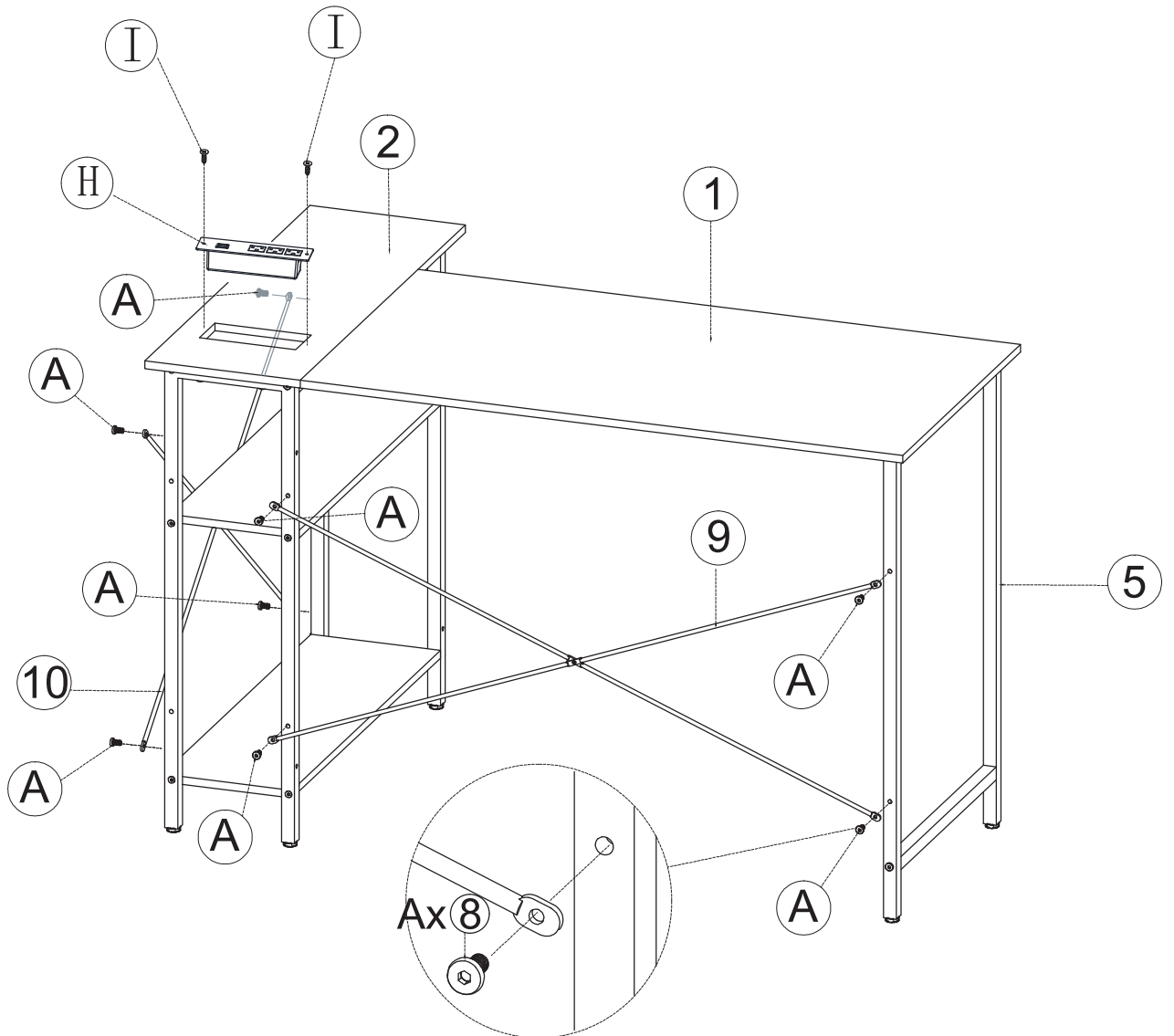
6



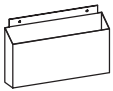

To make assembly easier,
keep the screws loose at first.
Once everything's set up,
tighten them for a sturdy desk.

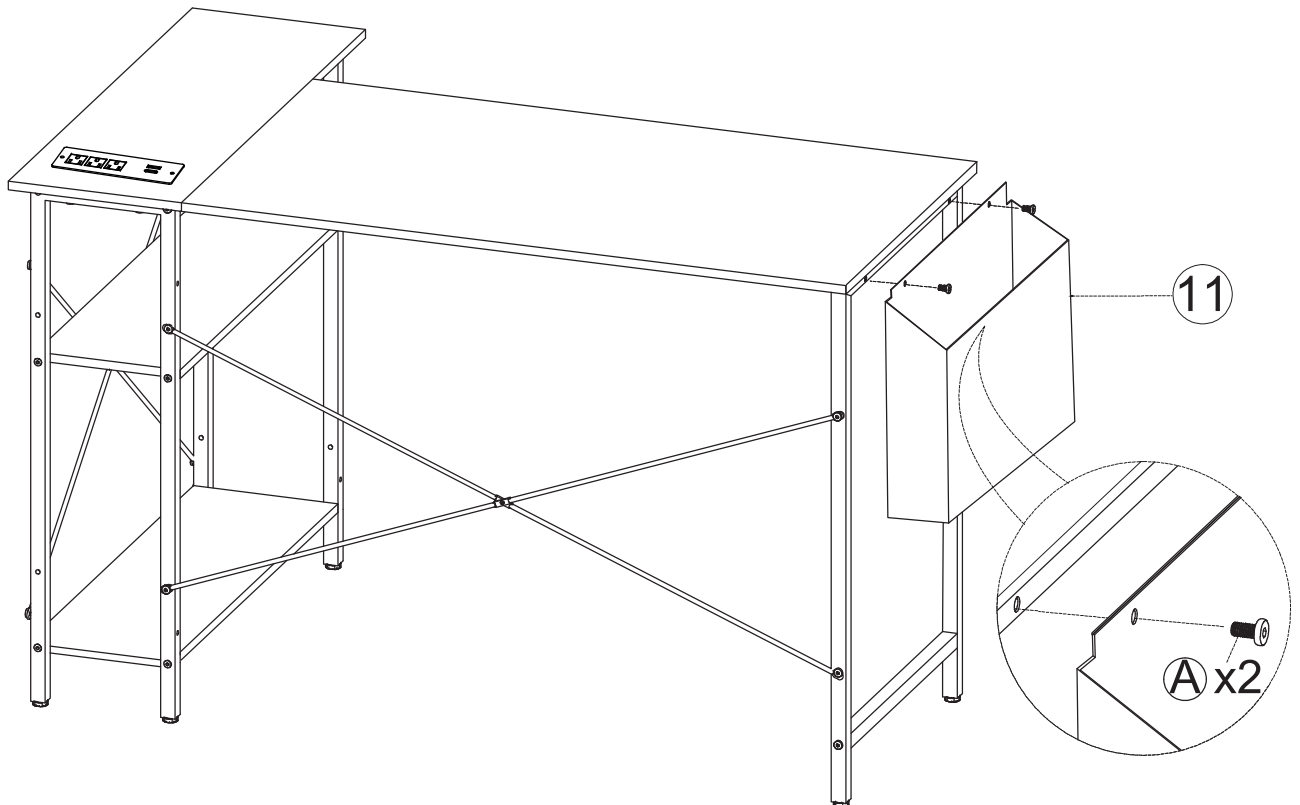
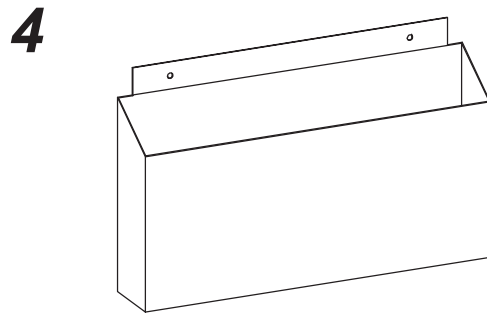
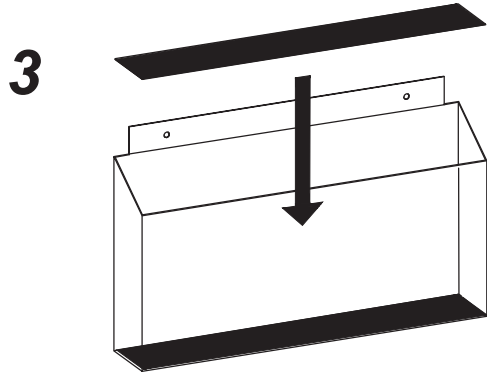
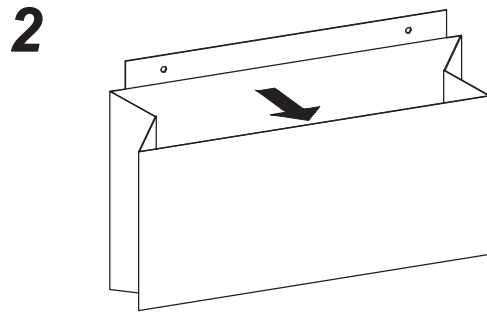
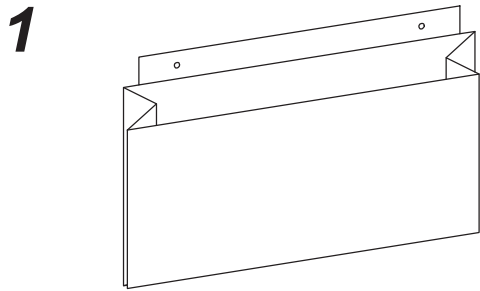
7

⑨	 X1	⑩	 X1		
Ⓐ	 X8	Ⓗ	 X1	Ⓘ	 X2




8

①①		X1
Ⓐ		X2



9

G	 X2
---	--

