



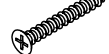









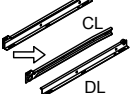
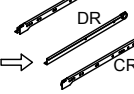
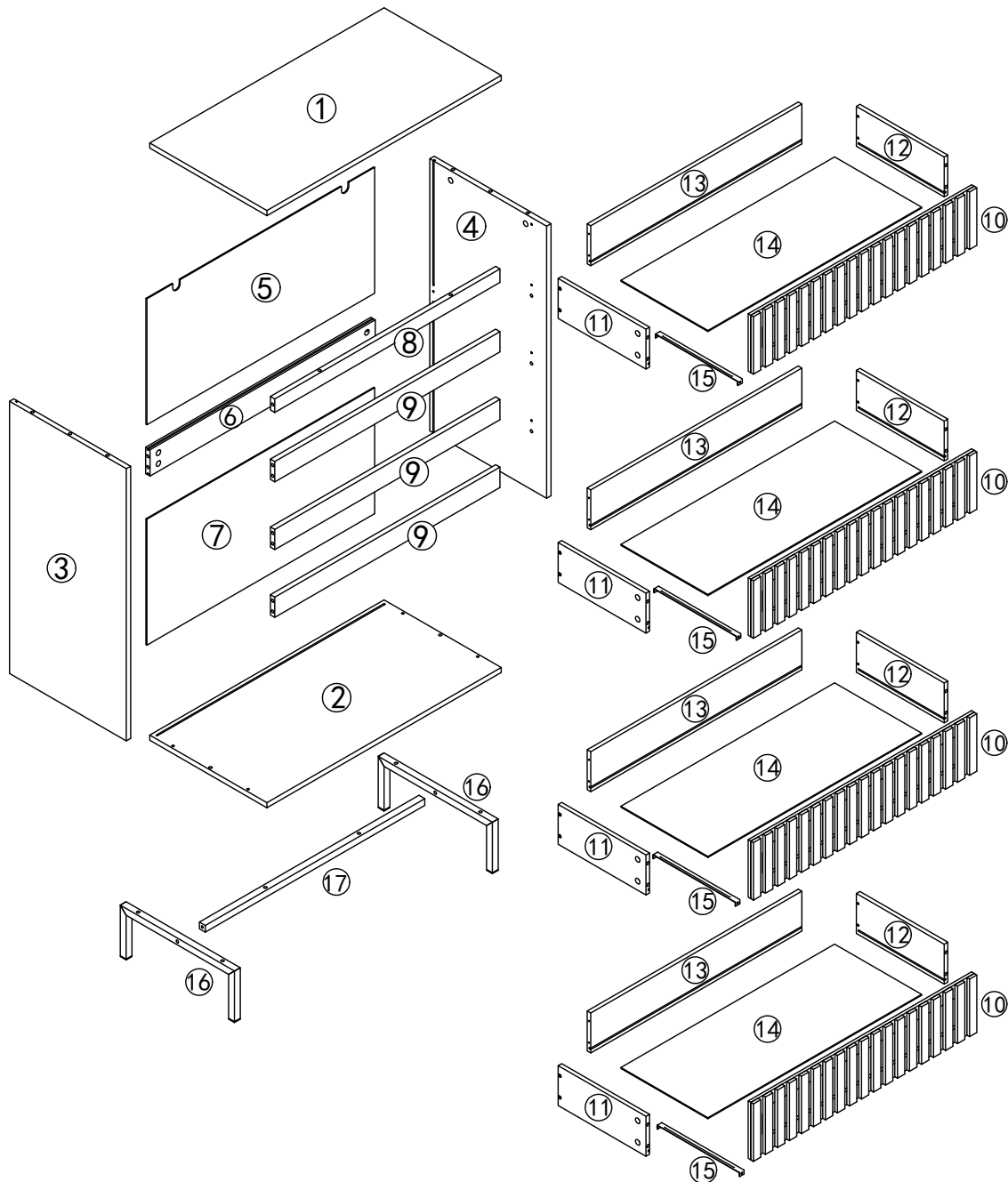
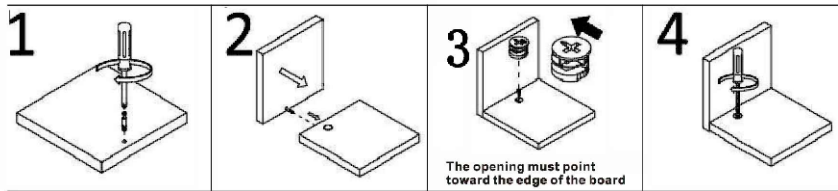


Assembly Instruction

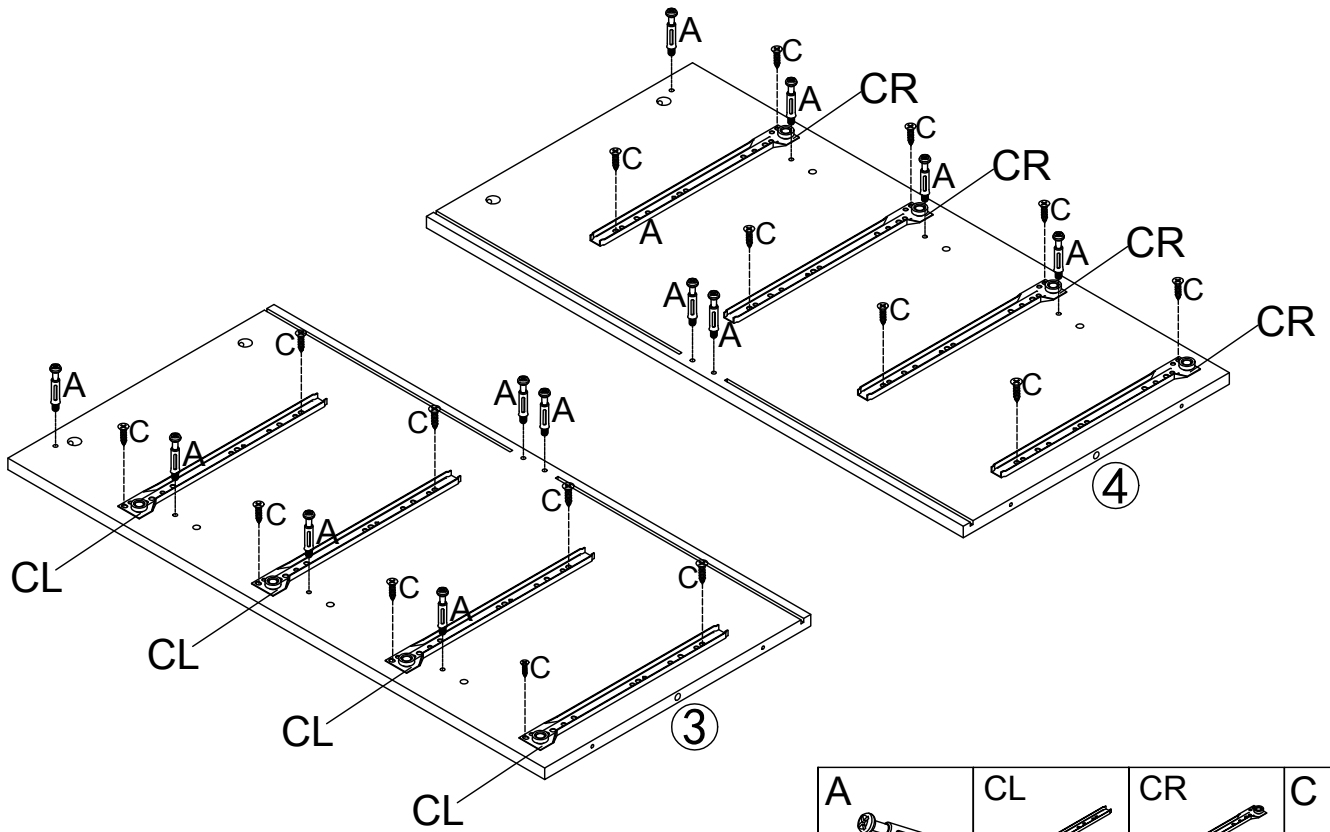
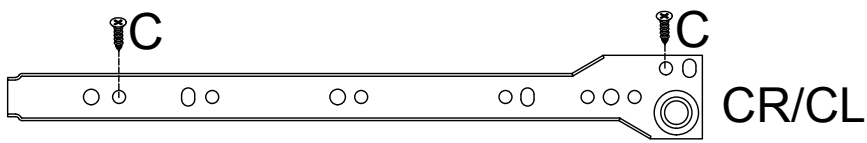
A M6x35mm  32PCS	B Ø15x9mm  32PCS	C M3x14mm  44PCS	D Ø8x30mm  12PCS	E M4x35mm  18PCS	F M6x40mm  2PCS	G Ø6x30mm  2PCS	H 4mm  1PC	I M5x40mm  4PCS
J  2PCS	K M4x14mm  2PCS	M  4PCS	N M6x28mm  6PCS	O M3.5x12mm  8PCS	L  4PCS	R  4PCS		

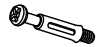



Cam Lock Fastening System

Insert the cam bolt into the hole first, then insert the cam lock and lock it.

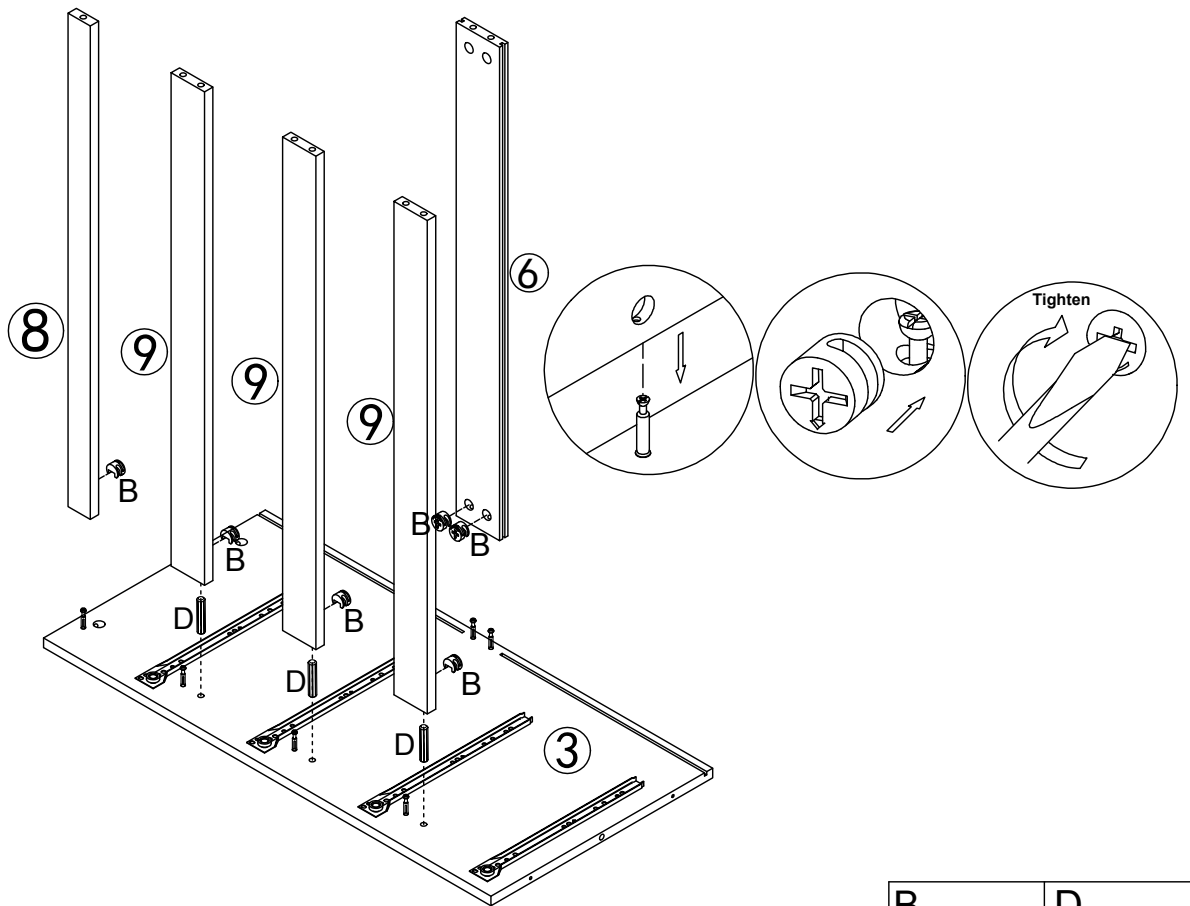




1



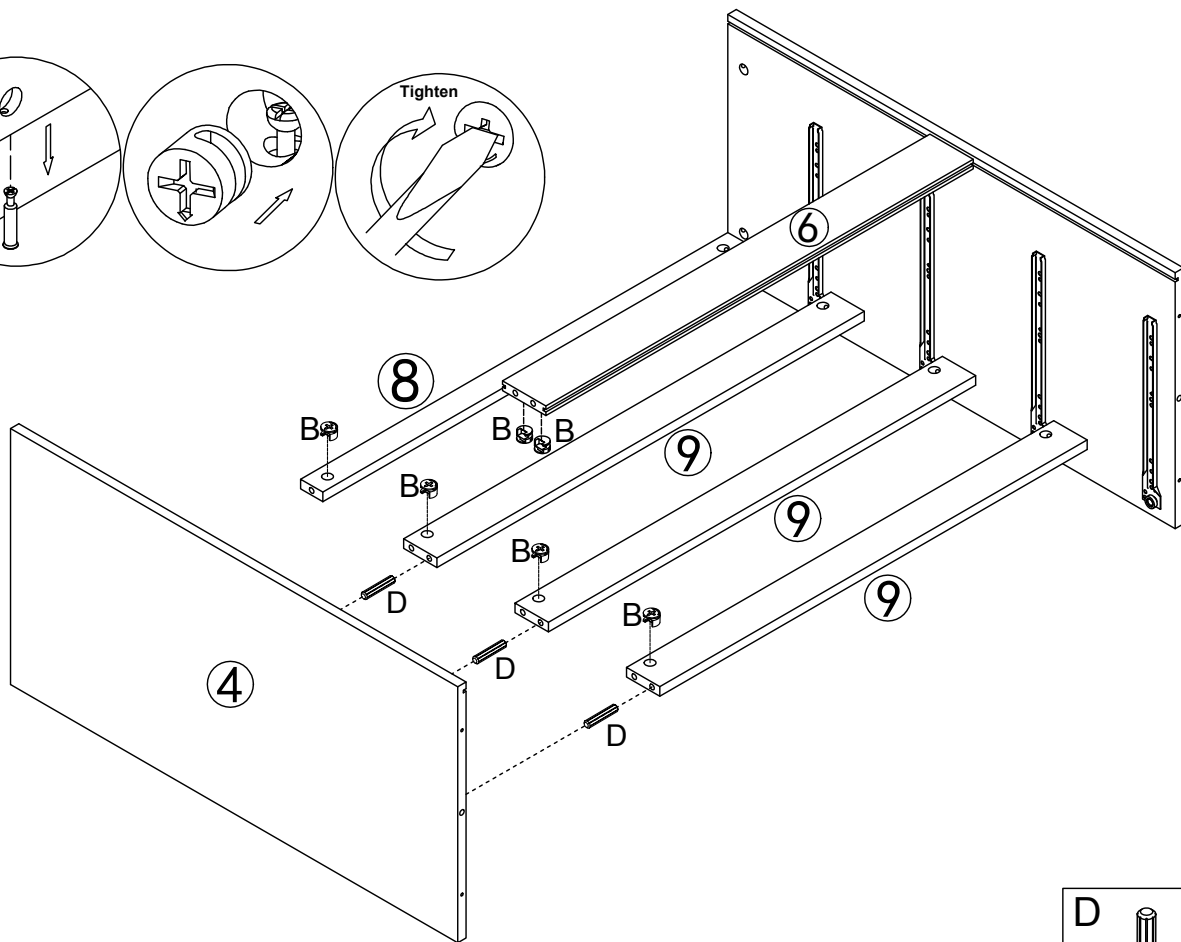
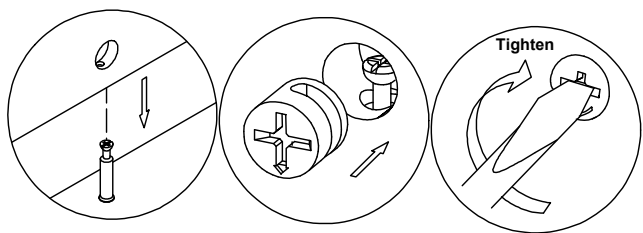
<p>A</p>  <p>12PCS</p>	<p>CL</p>  <p>4PCS</p>	<p>CR</p>  <p>4PCS</p>	<p>C</p>  <p>16PCS</p>
---	---	---	---



2



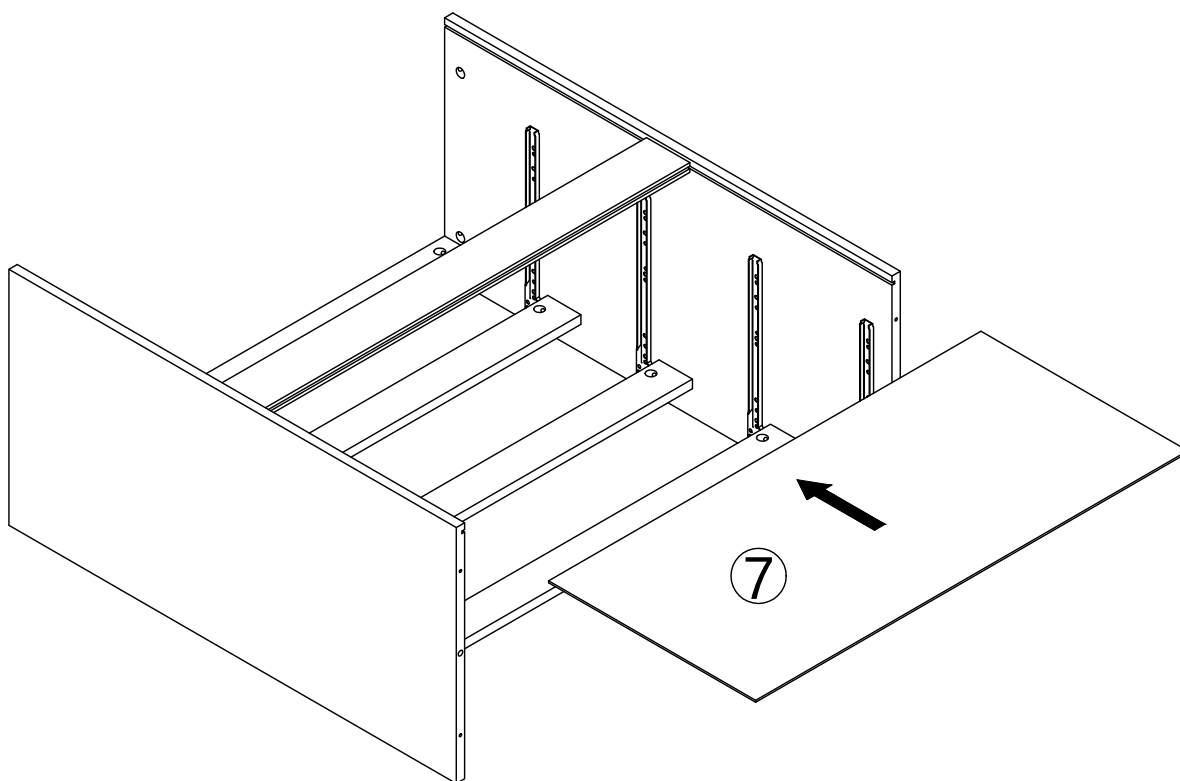
<p>B</p>  <p>6PCS</p>	<p>D</p>  <p>3PCS</p>
--	--

3

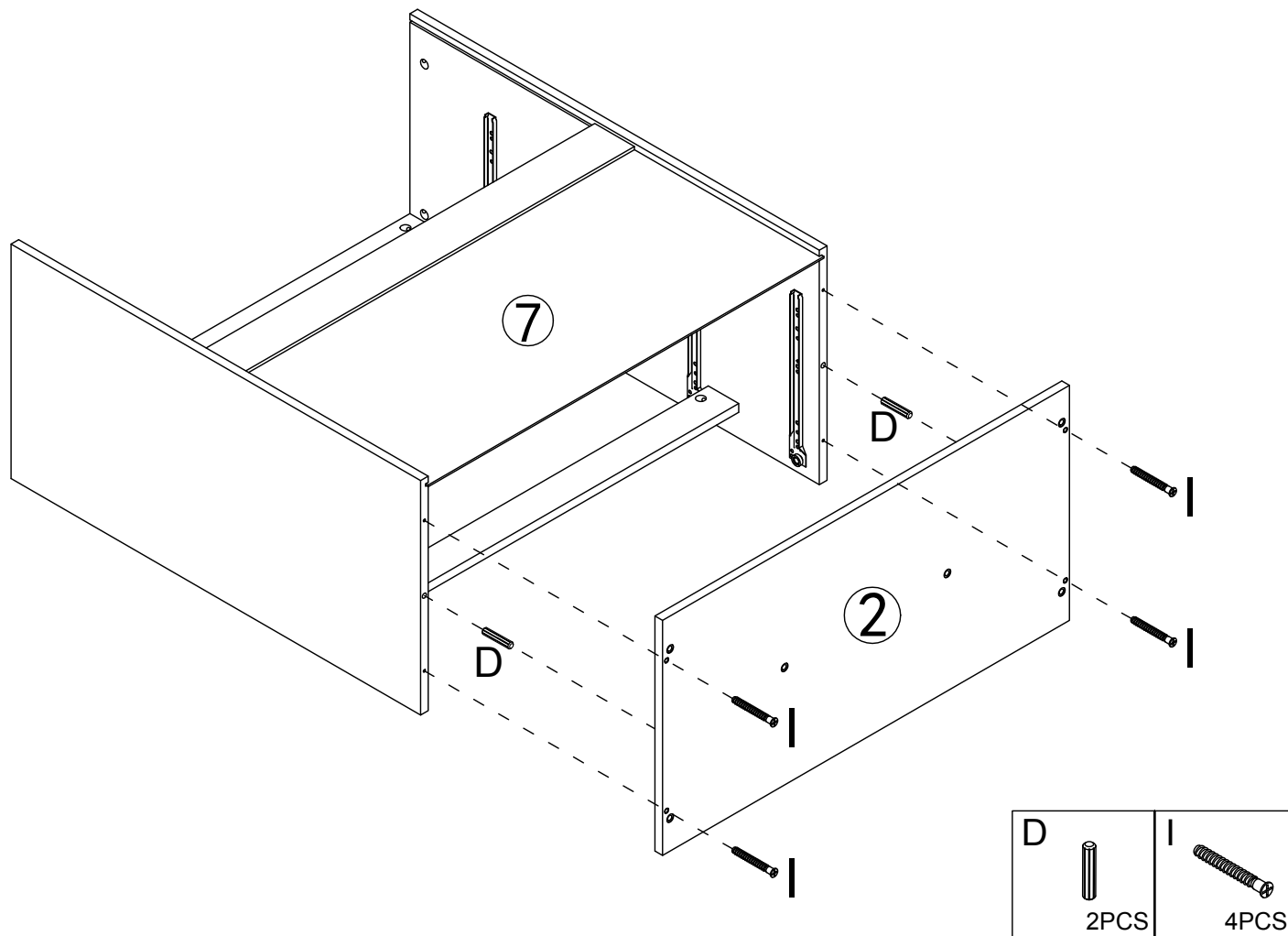


D		B	
	3PCS		6PCS

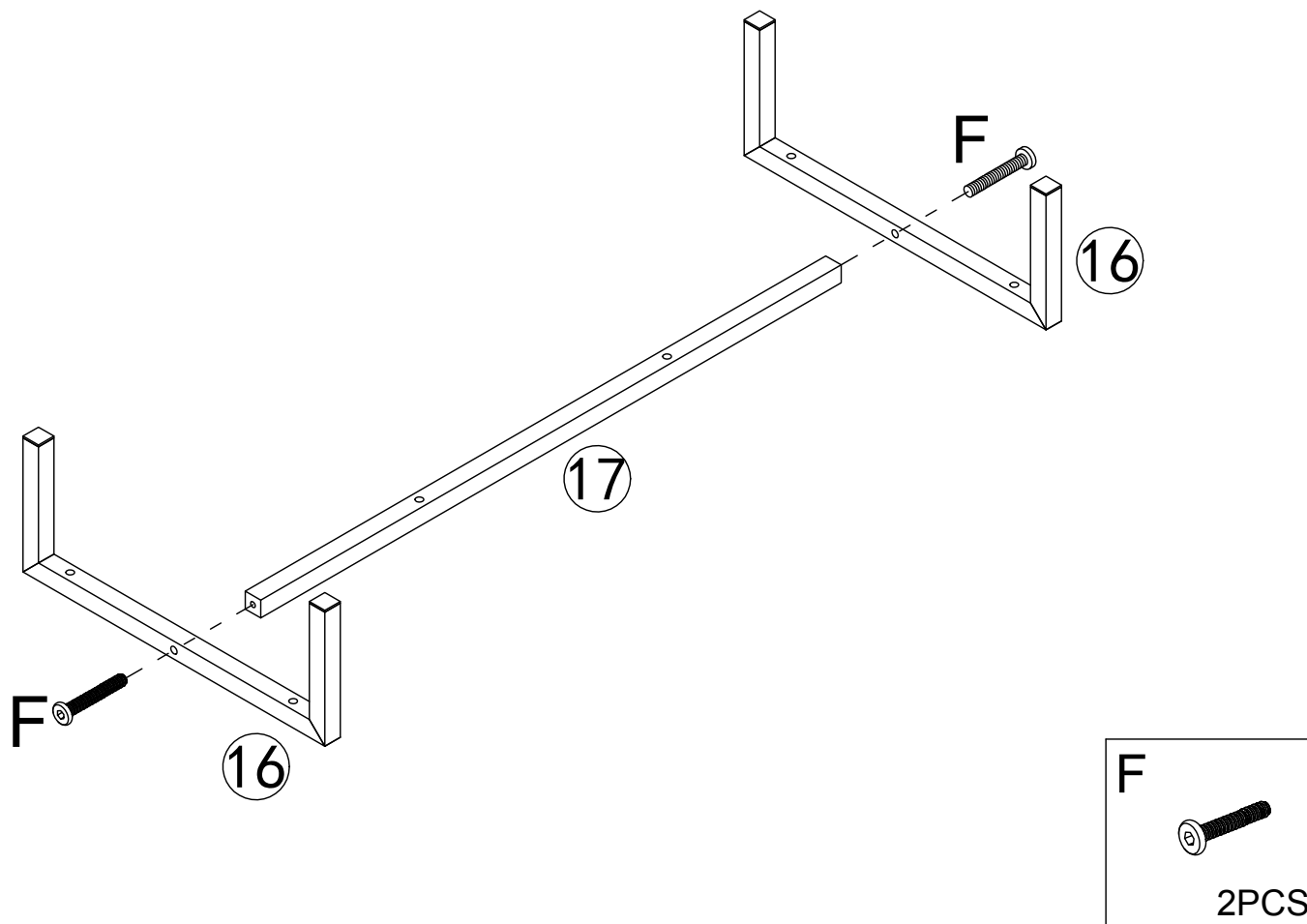
4



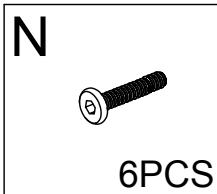
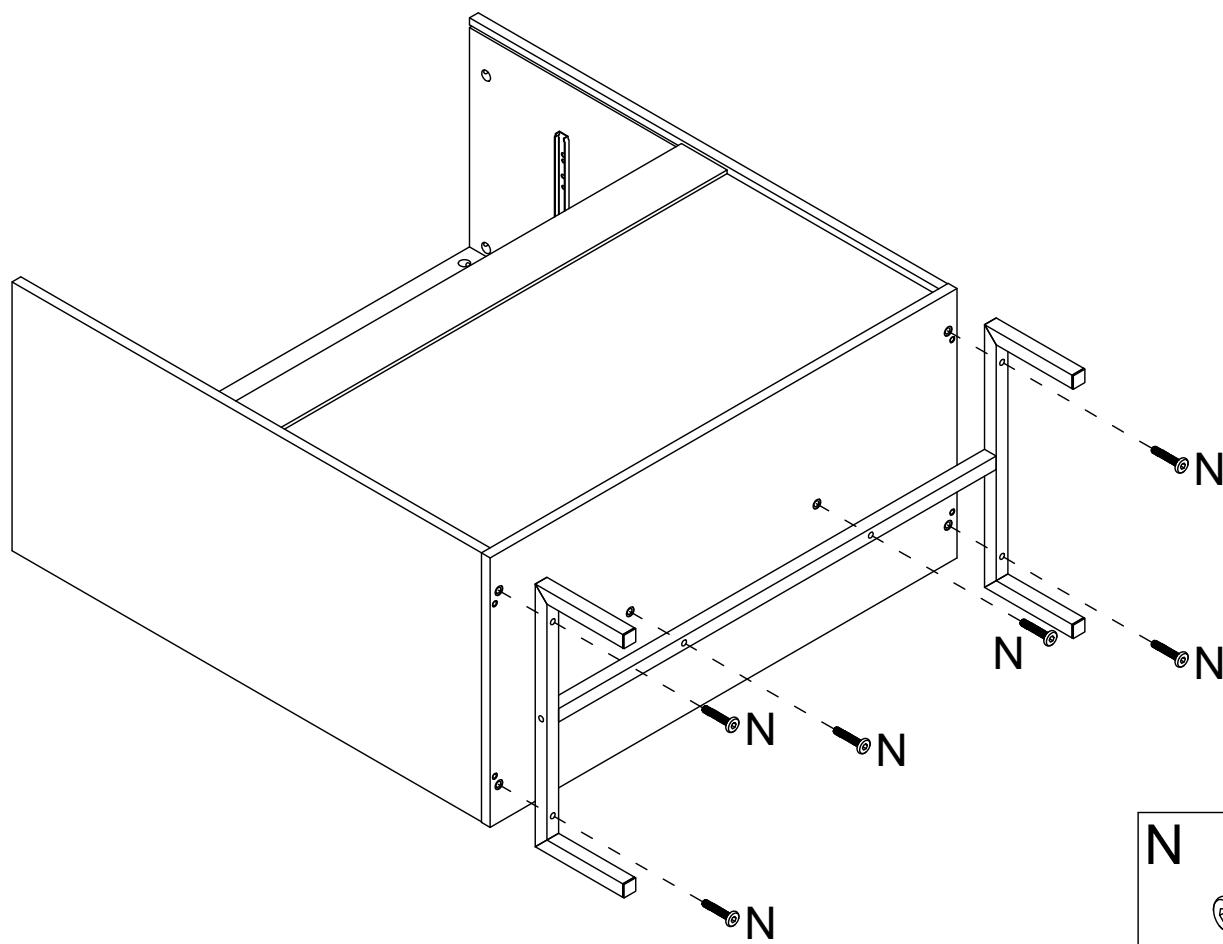
5



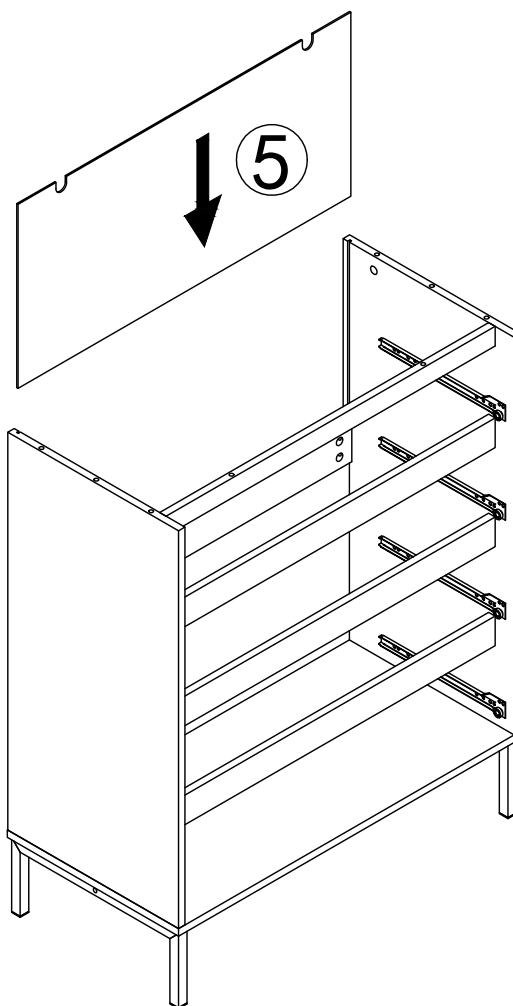
6



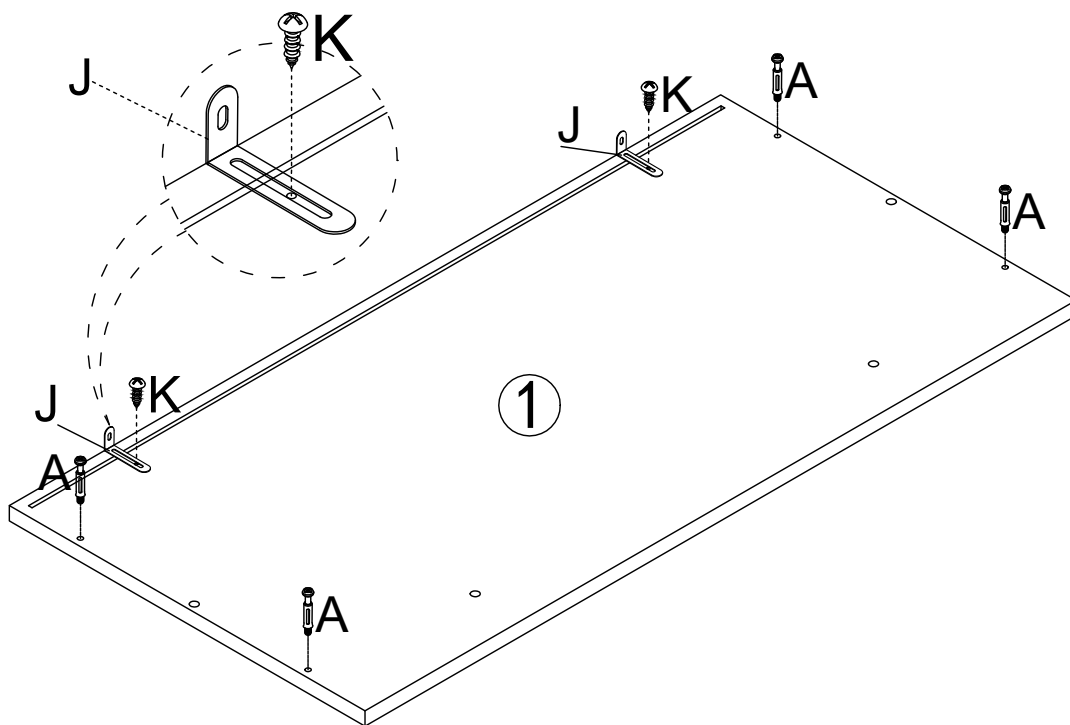
7


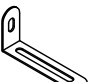



8

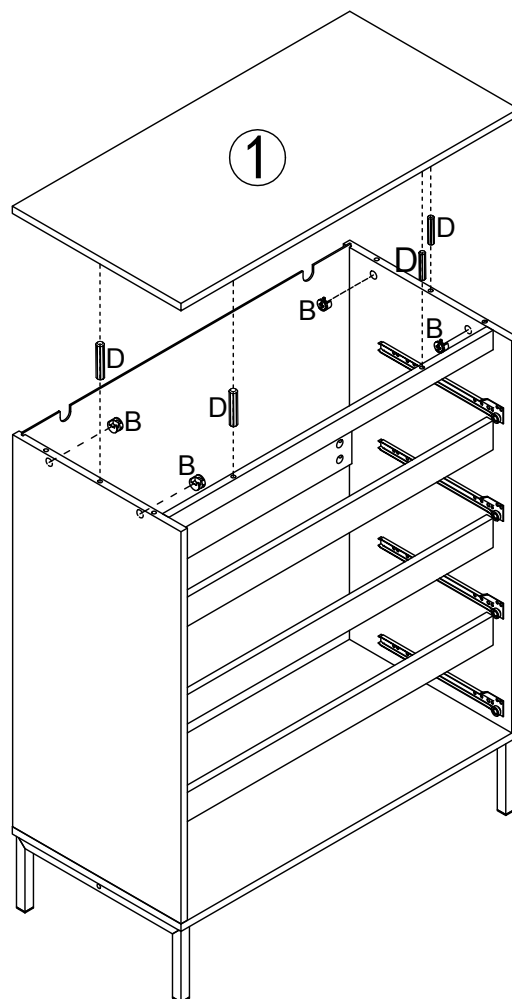




9



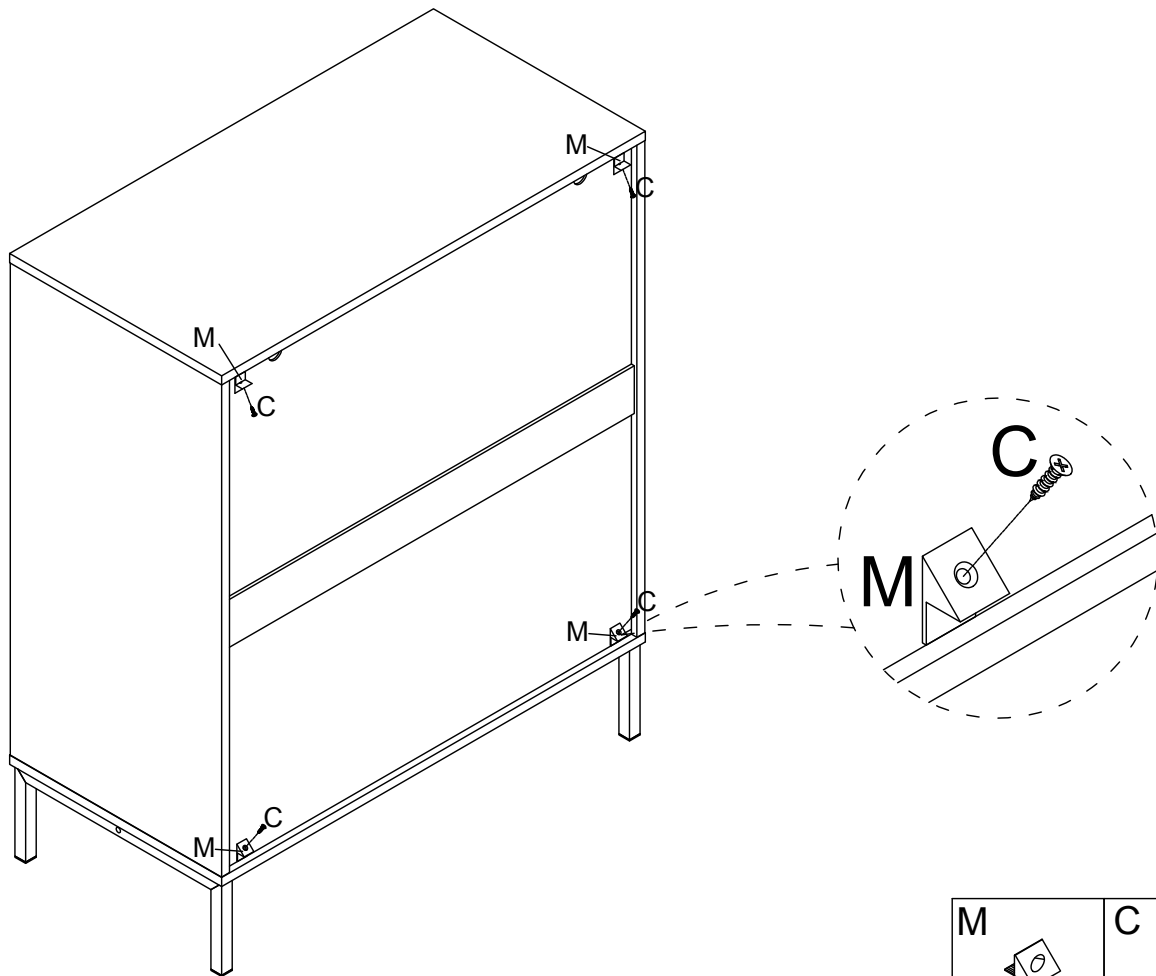
A  4PCS	J  2PCS	K  2PCS
--	--	--



10



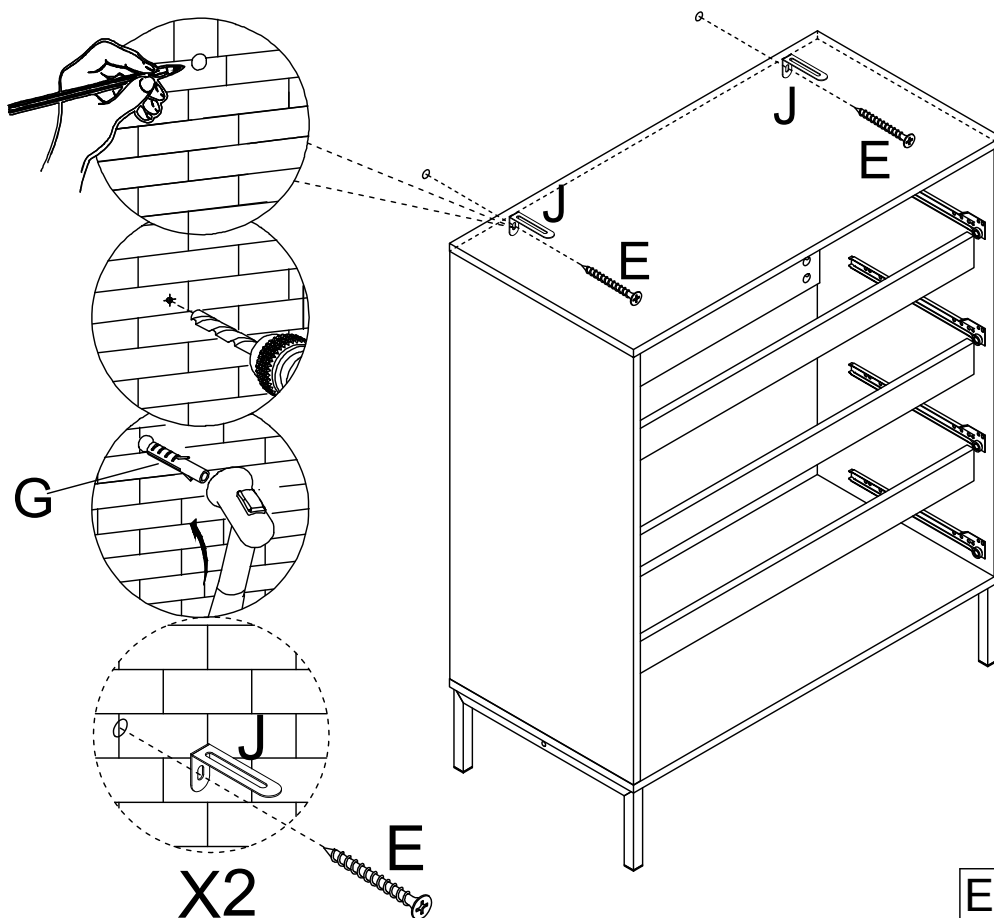
B  4PCS	D  4PCS
--	--

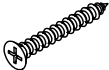

11



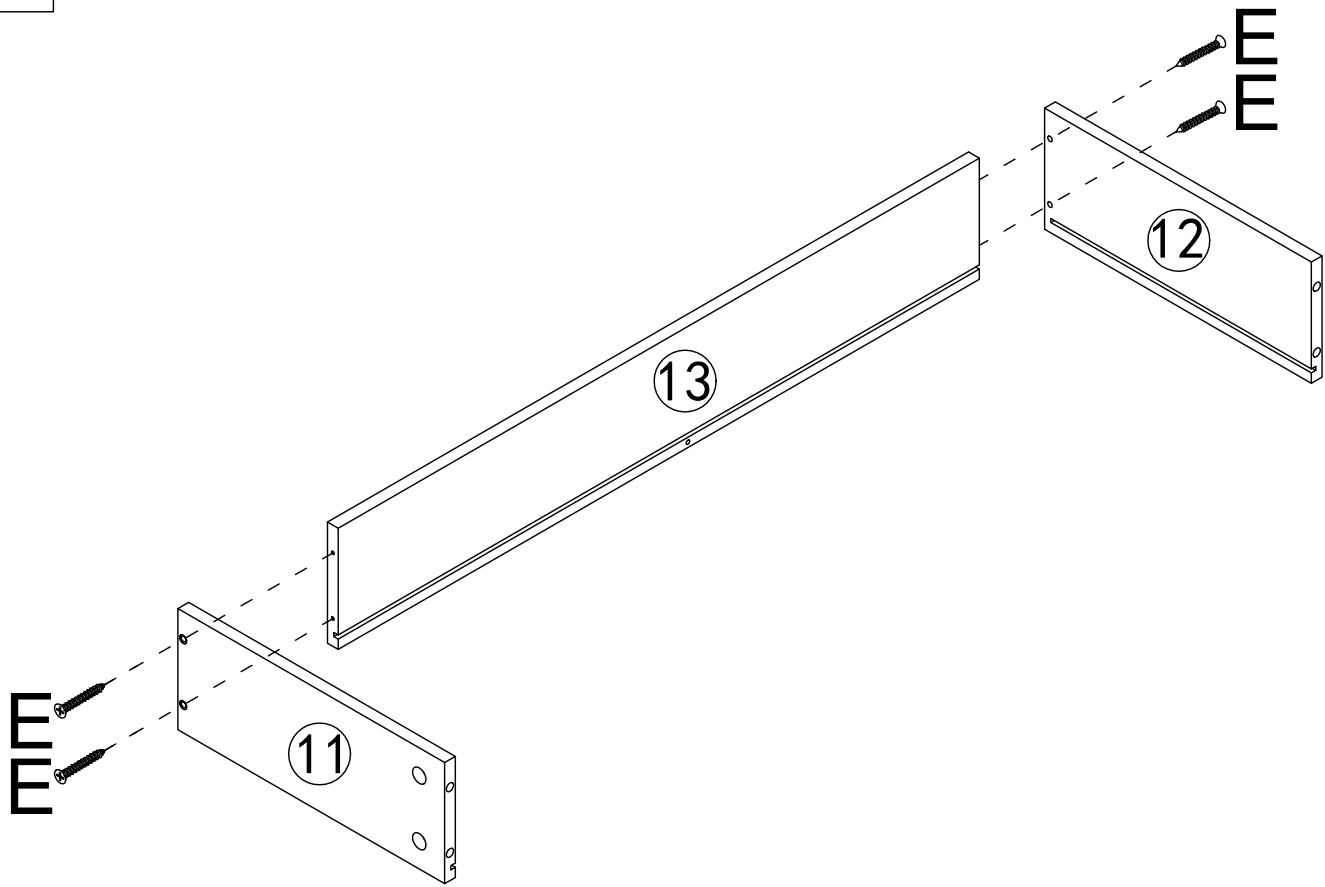
M	C
	
4PCS	4PCS

12

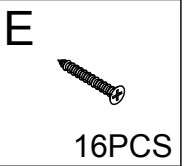


E	G
	
2PCS	2PCS

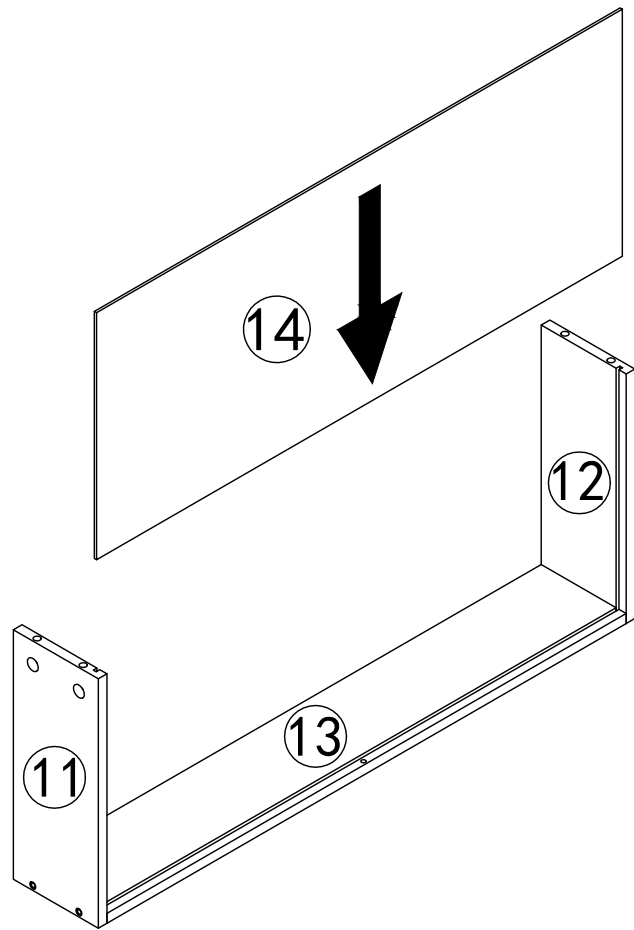
13



X4

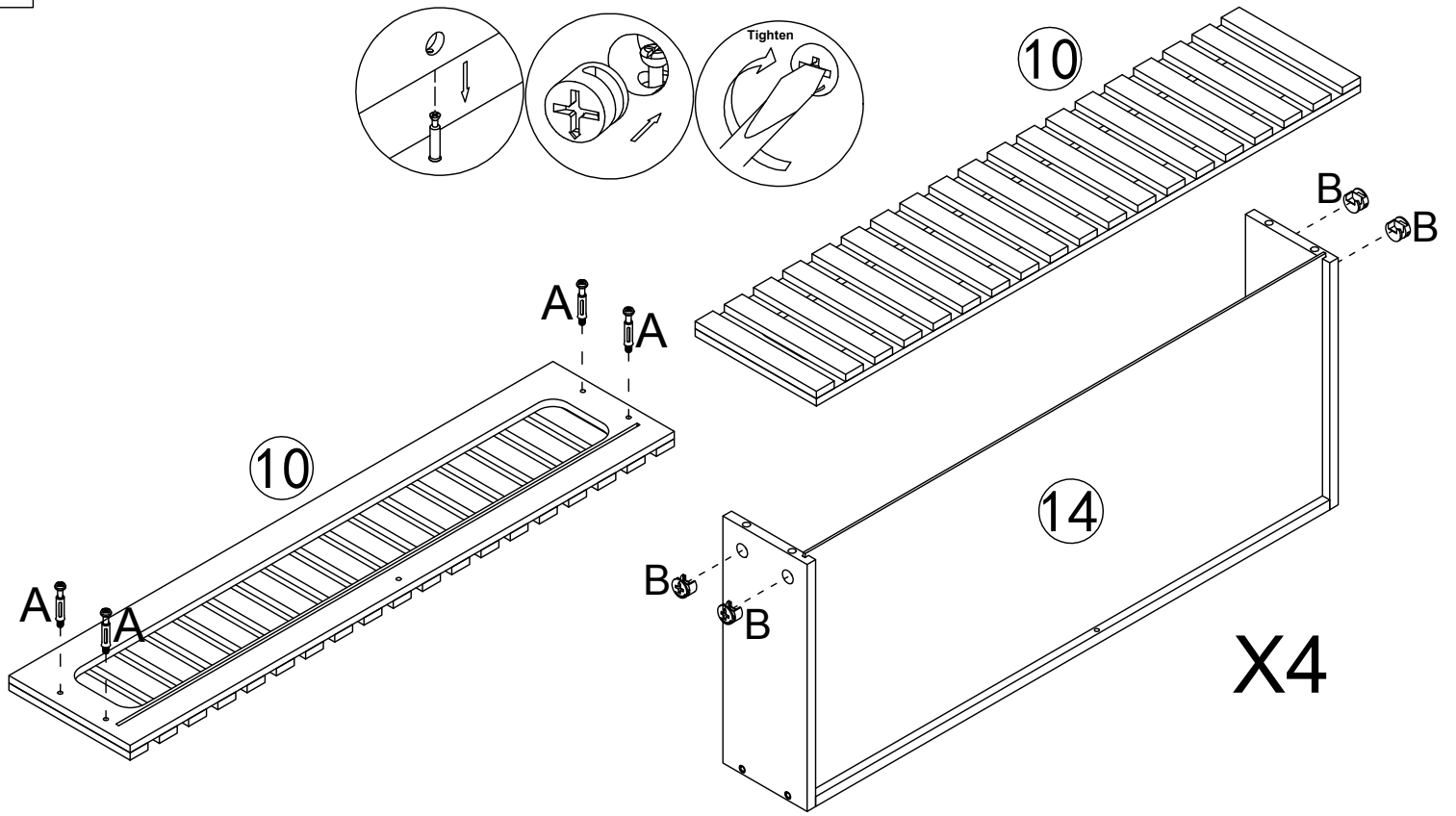




14



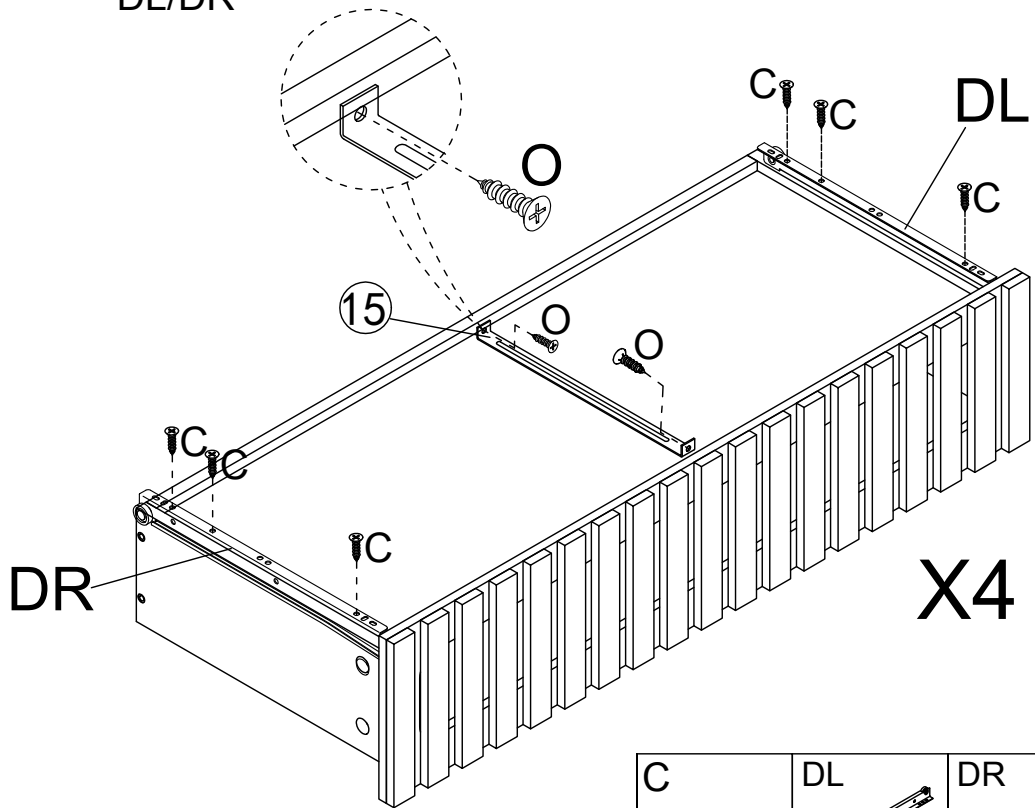
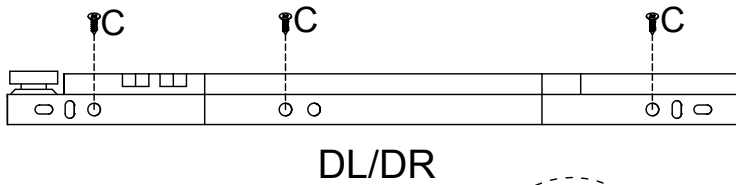
X4





15



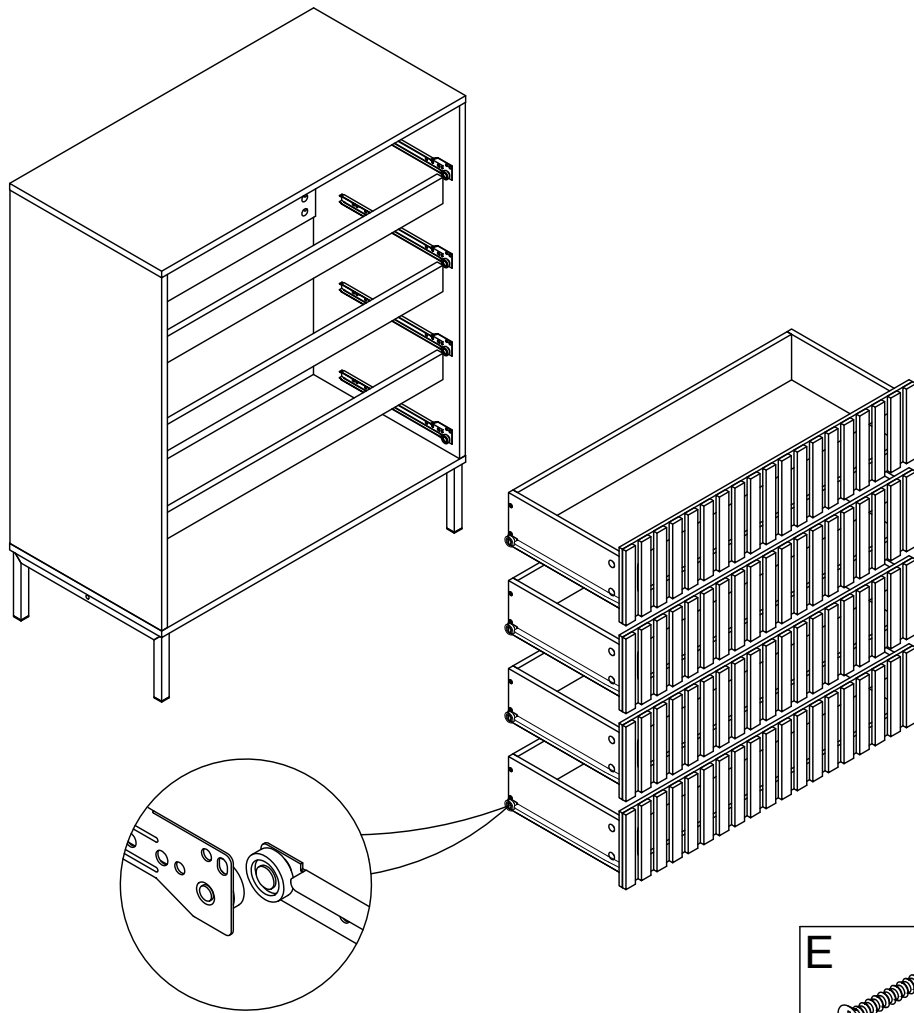
<p>A</p>  <p>16PCS</p>	<p>B</p>  <p>16PCS</p>
--	--

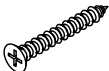

16



<p>C</p>  <p>24PCS</p>	<p>DL</p>  <p>4PCS</p>	<p>DR</p>  <p>4PCS</p>	<p>O</p>  <p>8PCS</p>
--	--	--	---

17



E  2PCS	G  2PCS
---	---

18

