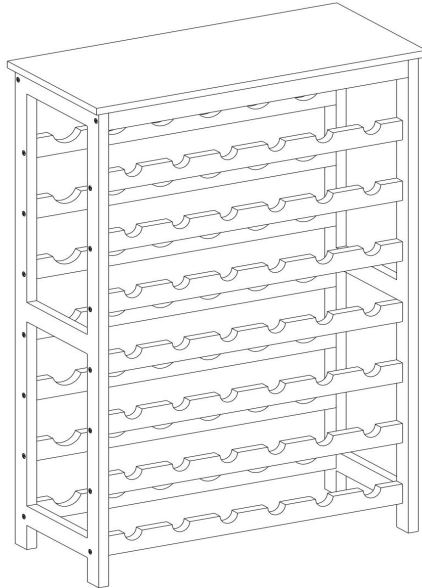


WINE RACK

We continue to be committed to provide you tools with competitive price.

"Save Half", "Half Price" or any other similar expressions used by us only represents an estimate of savings you might benefit from buying certain tools with us compared to the major top brands and does not necessarily mean to cover all categories of tools offered by us. You are kindly reminded to verify carefully when you are placing an order with us if you are actually saving half in comparison with the top major brands.

Wine Rack



This is the original instruction, please read all manual instructions carefully before operating. We reserves a clear interpretation of our user manual. The appearance of the product shall be subject to the product you received. Please forgive us that we won't inform you again if there are any technology or software updates on our product.

PRODUCT PARAMETERS

Model	Product Size	Loading Capacity	material	Color
	660x290 x1000 mm	≥42KG	Bamboo	Black

ASSEMBLY PRECAUTIONS

1. Assemble needs to follow these instructions. Incorrect assembly can be a hazard.
2. Wear safety goggles and heavy-duty work gloves during assembly.
3. Do not assemble when tired or when under the influence of alcohol, drugs or medication.
4. Weight and other product properties are only applicable to correctly and completely assembled products.
5. Keep the assembly area clean and well-lit.
6. Keep bystanders out of the area during assembly.

USE PRECAUTIONS



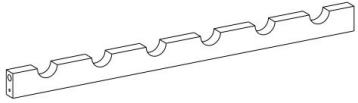
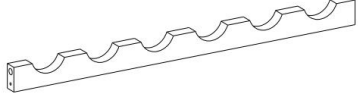
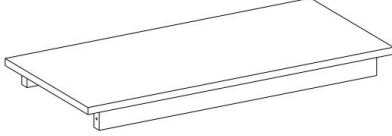
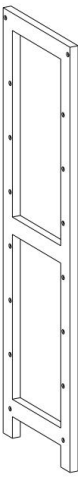


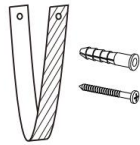


WARNING: TO PREVENT SERIOUS INJURY AND DEATH FROM TIPPING:

1. This product is not a toy. Do not allow children to play with or approach this item.
2. Use as intended only. Do not sit or stand on the product.
3. Inspect before every use. Do not use it if parts are loose or damaged.
4. Use of tip-over restraints may only reduce, but not eliminate the risk of tip-over.
5. Unless specially designed to accommodate, do not set heavy objects on top of this product.
6. Place the heaviest items on the lowest shelf.

GENERAL GUIDELINES

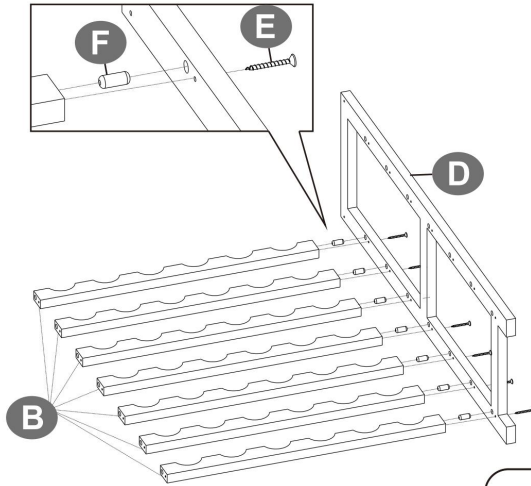
1. Please read the following instruction carefully and use the product accordingly.
2. Please keep this manual and hand it over when you transfer the product.
3. This summary may not include every detail of all variations and considered steps. Please contact us when further information and help are needed.
4. Before assembly, please make sure all accessories are intact. Please handle it gently to avoid bumps, damage or paint chipping when unpacking the product.
5. Bamboo products may have splinters or cracks due to its fiber structure. Please check the product carefully before assembly.
6. Check the tightness of screws and parts regularly.
7. Do not place it in humid place to prevent mildew.
8. Avoid long period of sun exposure. If stain is found, wipe the product with a wet cloth, and dry it in a ventilated place.
9. We recommend wearing gloves to prevent splinters when assembling the product.
10. Keep parts and packaging materials away from children and pets as there could be injury or potential choking hazard.
11. Keep all packaging materials (film, plastic bag, foam, etc.) away from babies and children as they may cause suffocation or other potential risks.
12. Some products are equipped with anti-dumping strap, please install it for safety. No children are allowed to climb, hang or play around the product in case of any damage or injury caused by the falling of the product.


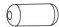
PARTS LIST

<p>A × 7</p> 	<p>B × 7</p> 	
<p>C × 1</p> 	<p>D × 2</p> 	
<p>E × 32</p> 	<p>F × 28</p> 	
<p>G × 1</p> 	<p>H × 4</p> 	<p>I × 1</p> 

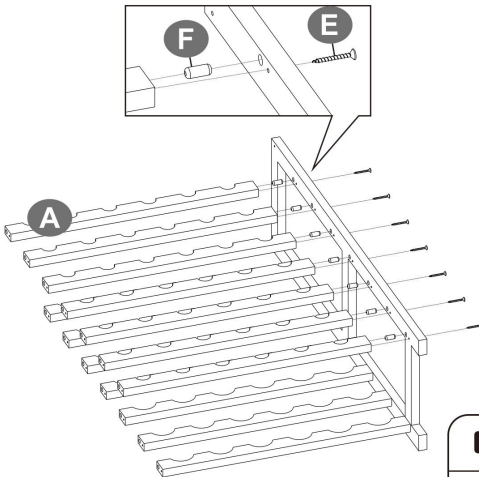
ASSEMBLY STEPS



STEP1



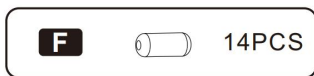
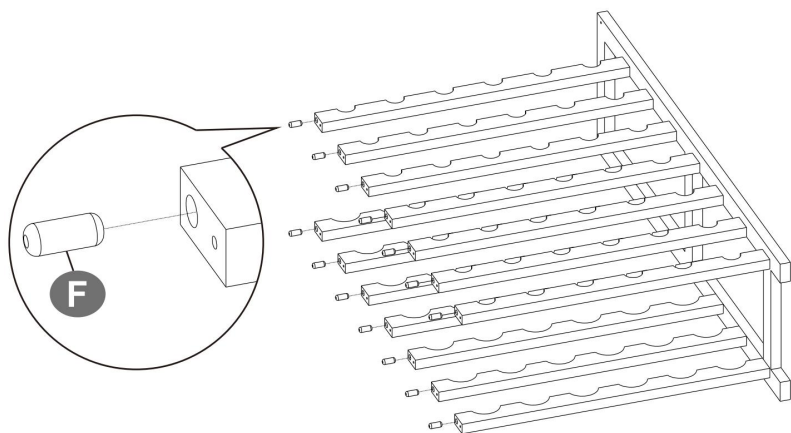
E		7PCS
F		7PCS

STEP2

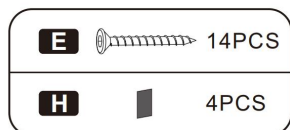
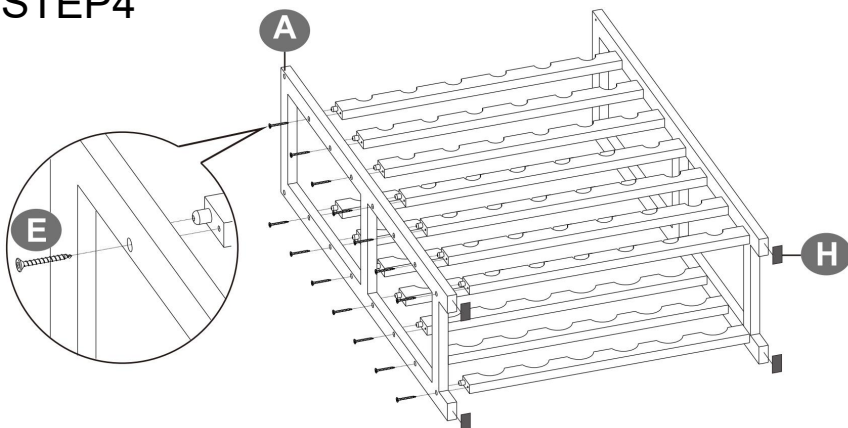


E		7PCS
F		7PCS

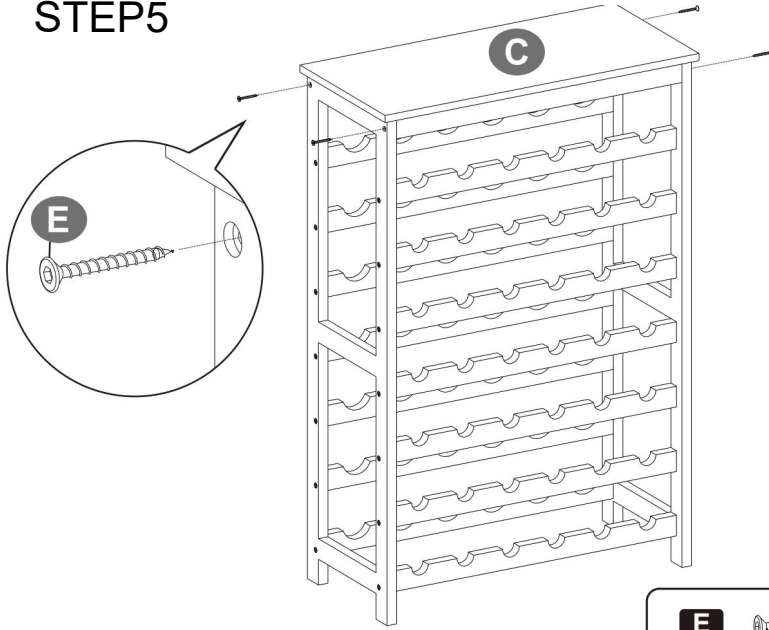
STEP3

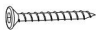


STEP4

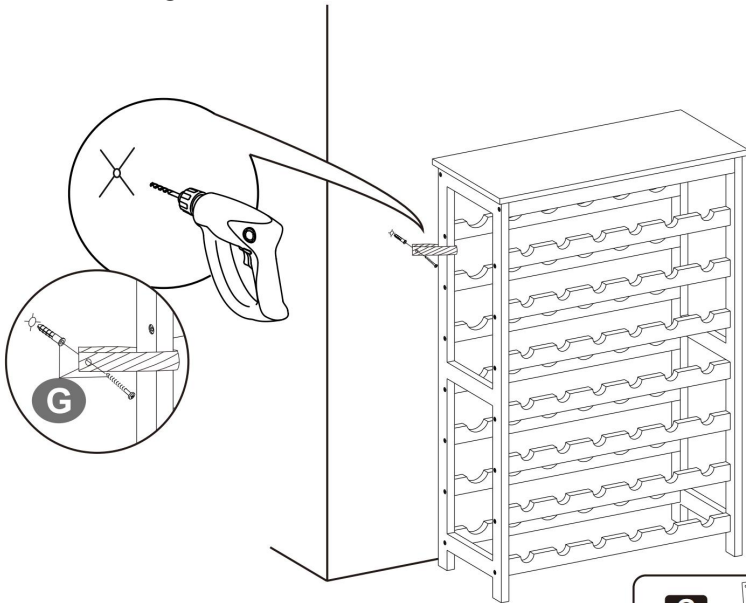


STEP5



E  4PCS

STEP6



G   1PC

CLEANING

-For cleaning, wipe the surface with a damp (not wet) cloth or wipe dry with a clean lint free cotton cloth.

-Wood products cleaning solution or similar cleaning solution can be used to clean the surfaces