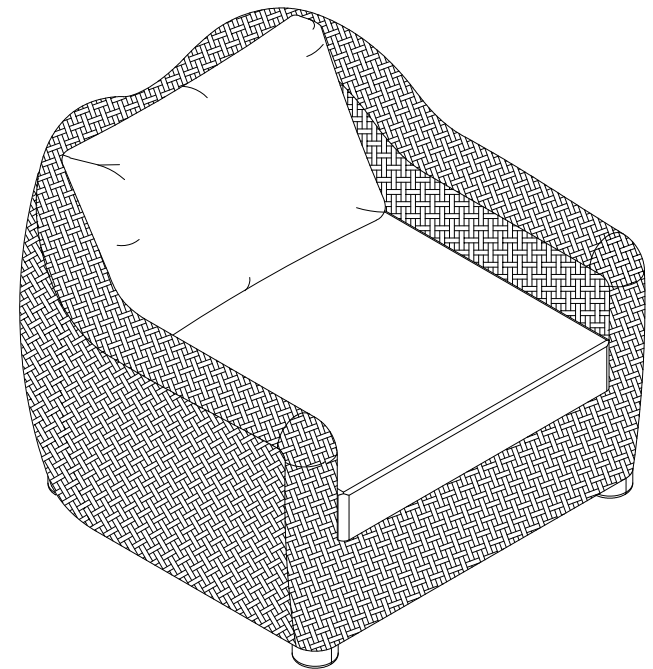


# MELBOURNE WICKER PATIO CHAIR

DESIGN # CPT2109A

Assembly Instructions



## Need help?

Feel free to contact us via email or call  
if you have any specific questions!

## contact us:

[cs@safavieh.com](mailto:cs@safavieh.com)

866-422-9070

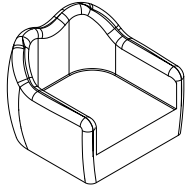
SAFAVIEH  
C O U T U R E

# Thanks for bringing Safavieh Couture into your home

Everything we make is incredibly simple to set up, including your new Melbourne Wicker Patio Chair. You won't need any additional tools.

## Parts List

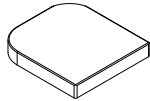
A x 1  
SEAT FRAME



B x 4  
CHAIR LEG



D x 1  
SEAT CUSHION



E x 1  
BACK CUSHION



## Hardware List

Hw1 x 8  
Allen bolt M6x30mm



Hw2 x 8  
Flat Washer M6

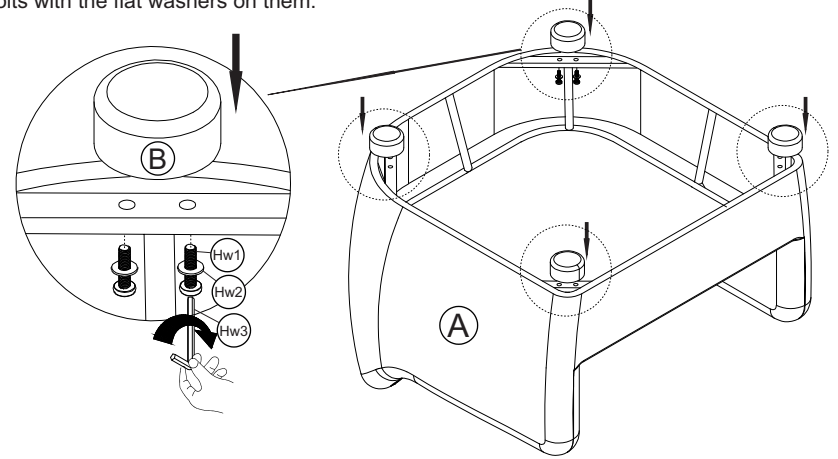


Hw3 x 1  
Allen Key



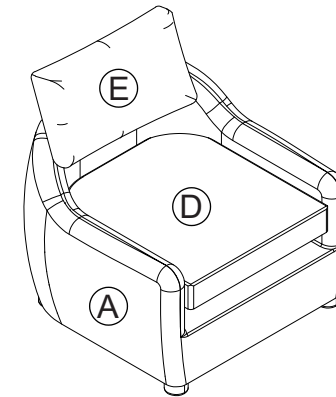
1

Place the flat washer (HW2) on the Allen bolt (HW1) as shown. Align the screw holes on the legs (B) to the screw holes on the seat frame (A). Attach the legs to the seat frame by using the Allen Key (HW3) to screw in the bolts with the flat washers on them.



2

Place the seat cushion (D) and the back cushion (E) on the seat frame (A).



3

Place the chair in the position you will use it. We'd love to see it – just tag us (we're @safavieh) and use the hashtag #safavieh on Instagram!

